

Parts Manual for
SNAPPER®

**INTERMEDIATE
REAR TINE TILLERS
SERIES 3, 4 & 5**



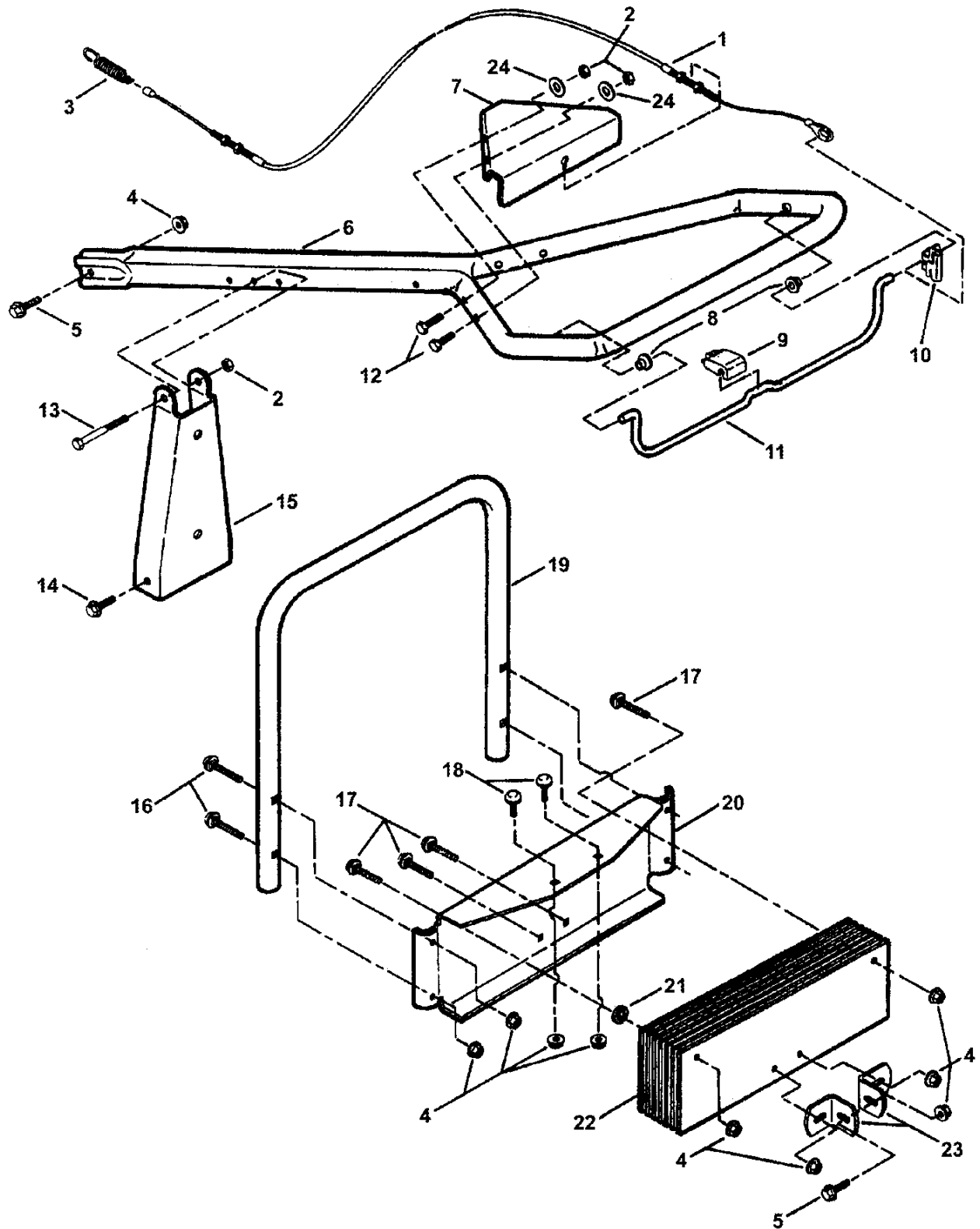
MODEL

**CICFR5505HV
EICFR5004B
EICFR5004B
EICFR5505BV
ICFR5004B
ICFR5505BV
ICFR7005BV
IR5003B
NIR5003B**

SNAPPER® McDonough, GA, 30253 U.S.A.

| PAGE | GROUP |
|-------------|------------------------------|
| 4 | HANDLES, CONTROLS, WEIGHTS |
| 6 | MAIN CASE/GEARS (Series 3) |
| 10 | MAIN CASE/GEARS (Series 4&5) |
| 14 | TILLER HEAD COMPONENTS |
| 16 | SHIFT & DRIVE COMPONENTS |
| 20 | WHEELS, TIRES, RIMS |
| 22 | DECALS |
| 24 | DECALS (continued) |
| 26 | DECALS (continued) |
| 28 | DECALS (continued) |
| 30 | CULTIVATOR SHIELD KIT |
| 32 | HILLER - FURROWER KIT |

HANDLES, CONTROLS, WEIGHTS

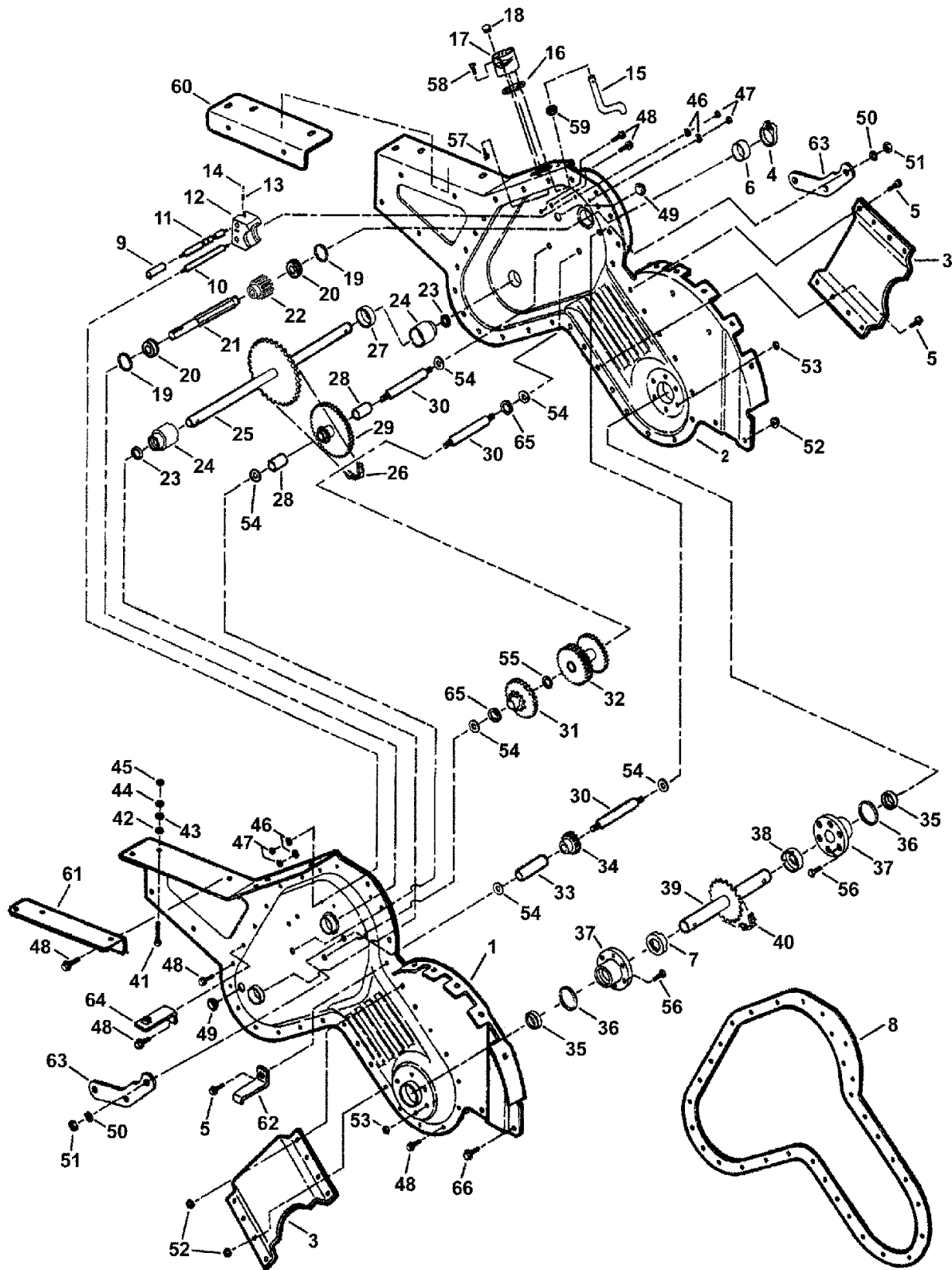


HANGLES, CONTROLS, WEIGHTS

| Item | Part No | Qty | Description | Note |
|------|---------|-----|---|---|
| 1 | 7018808 | 1 | CABLE Clutch | |
| 2 | 7091575 | 5 | NUT, 5/16-18 Hex Center Lock | Was 91067 |
| 3 | 7015252 | 1 | SPRING, Tine | |
| 4 | 7091601 | 12 | NUT, 5/16-18 Hex Flange Lock | Was 91070 |
| 5 | 7091681 | 7 | BOLT, 5/16-18 x 1" Hex Flange Lock | |
| 6 | 7034746 | 1 | BAR, Handle IRT | |
| 7 | 7036170 | 1 | PANEL, Tiller Dash | |
| 8 | 7014681 | 2 | BUSHING | |
| 9 | 7014682 | 1 | COVER, Cable | |
| 10 | 7032593 | 1 | CATCH, Bail | |
| 11 | 7018787 | 1 | BAIL | |
| 12 | 7091540 | 4 | SCREW, 5/16-18 x 1-1/2" Hex Head Cap GR5 | Was 91066 |
| 13 | 7090831 | 1 | SCREW, 5/16-18 x 2-3/4" Hex Head Cap GR5 | |
| 14 | 7090361 | 12 | SCREW, 5/16-18 x 5/8" Hex Washer Self-Tap | |
| 15 | 7038221 | 1 | SUPPORT, Handle | |
| 16 | 7091612 | 4 | BOLT, 5/16-18 x 1-1/2" Sq. Neck Carriage GR5 | Was 90582 |
| 17 | 7090861 | 4 | BOLT, 5/16-18 x 1-3/4" Sq. Neck Carriage GR5 | |
| 18 | 7091303 | 3 | BOLT, 5/16-18 x 3/4" Square Neck Carriage GR5 | Was 91072 |
| 19 | 7036171 | 1 | BAR, Stand-Up | |
| 20 | 7035107 | 1 | BOX, Weight | |
| 21 | 7011791 | 1 | RETAINER, 5/16" Bolt (Black) | not used on ICFR5004B |
| 22 | 7038223 | 7 | WEIGHT, Steel | |
| 23 | 7032496 | 2 | BRACKET, Weight | |
| 24 | 7091076 | 16 | WASHER, 5/16" Flat | |
| | 7061794 | 1 | BAG, Hardware - IR5003B | Contains 2 each of P/N's 28725 and 91606 (see Tiller Head Component Page) |

Footnotes:

MAIN CASE/GEARS (Series 3)



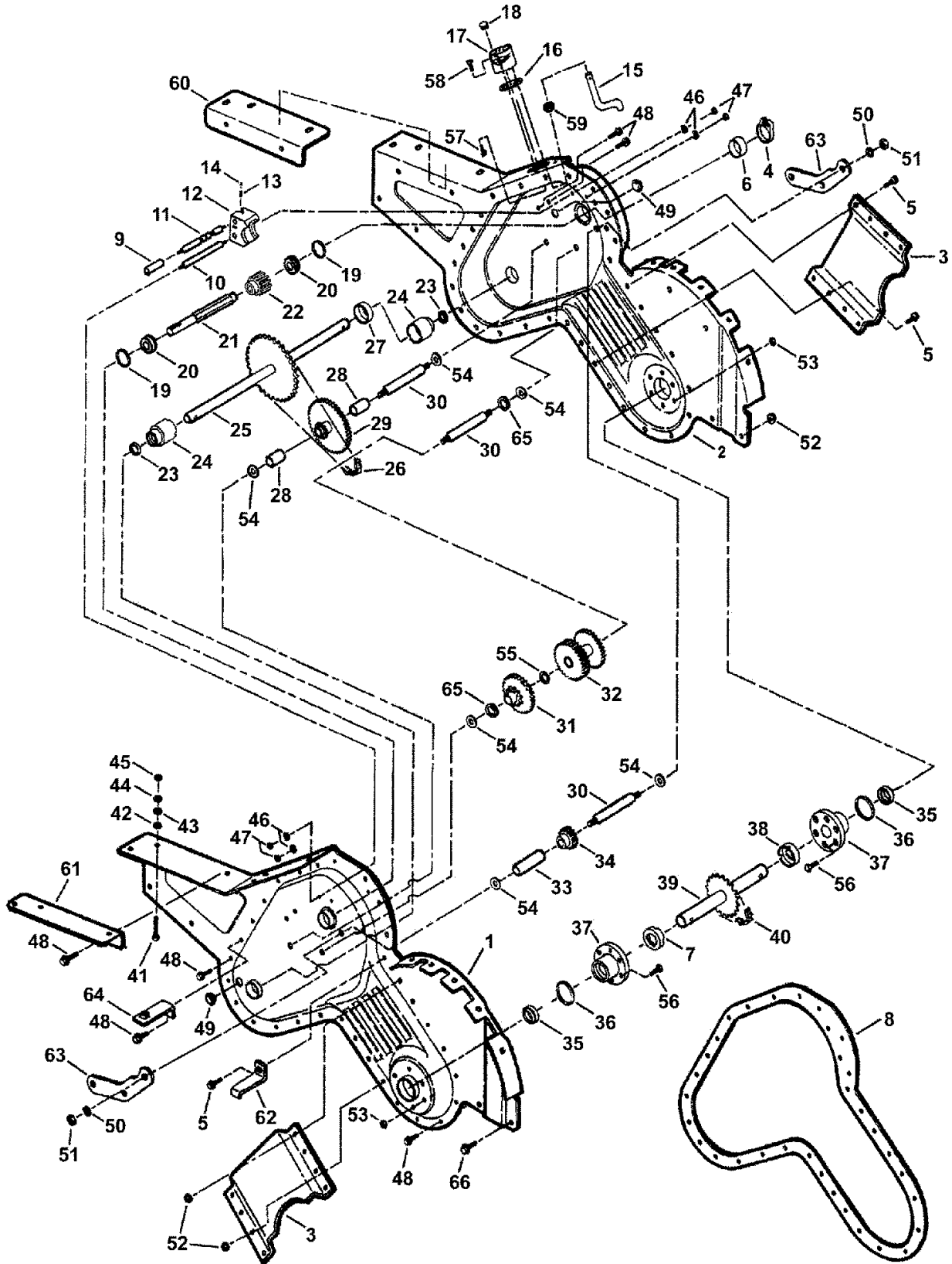
MAIN CASE/GEARS (Series 3)

| Item | Part No | Qty | Description | Note |
|------|---------|-----|---|--------------------|
| | 7061821 | | ASSEMBLY, Case, Complete (Series 3) | <i>service kit</i> |
| 1 | 7034681 | 1 | CASE HALF, Left Hand | |
| 2 | 7034682 | 1 | CASE HALF, Right Hand | |
| 3 | 7034677 | 2 | REINFORCEMENT, Case | |
| 4 | 7015597 | 1 | CLAMP, Speedy | |
| 5 | 7091681 | 7 | BOLT, 5/16-18 x 1" Hex Flange Lock | |
| 6 | 7015598 | 1 | SEAL, Cap | |
| 7 | 7028672 | 1 | SPACER, Tine Shaft (Short) | |
| 8 | 7028753 | 1 | GASKET, Main Case IR5003B Tiller | |
| 9 | 7045130 | 1 | SPACER, Main Shaft (.64" long) | |
| 10 | 7021977 | 1 | PIN, Guide | |
| 11 | 7022512 | 1 | SHAFT, Main Detent (4 Position) | |
| 12 | 7046604 | 1 | FORK, Primary Shaft | |
| 13 | 7023252 | 1 | SPRING, Compression | <i>Was 14500</i> |
| 14 | 7014469 | 1 | BALL, Detent | |
| 15 | 7015405 | 1 | CRANK, Shift | |
| 16 | 7015679 | 1 | GASKET, Shift Arm Pivot | |
| 17 | 7015313 | 1 | PIVOT, Shift Arm | |
| 18 | 7015409 | 1 | PLUG, 1/2" Button | |
| 19 | 7015350 | 1 | O-RING | |
| 20 | 7010756 | 1 | BEARING, .625 x 1.37 x .435 | |
| 21 | 7023849 | 1 | SHAFT, Input | |
| 22 | 7028717 | | PINION, Input | |
| 23 | 7015136 | 1 | SEAL, Oil | |
| 24 | 7015319 | 1 | BEARING, Axle | |
| 25 | 7040609 | 1 | WELDMENT, Axle (#40/34T) | |
| 26 | 7015347 | 1 | CHAIN, Traction #40 | |
| 27 | 7015318 | 1 | SPACER, Wheel Shaft (.686" Thick) | |
| 28 | 7015348 | 2 | SPACER, 5/8 x 1.11" | |
| 29 | 7018790 | 1 | GEAR & SPROCKET | |
| 30 | 7045127 | 3 | SHAFT, Gear | |
| 31 | 7053826 | 1 | * ASSY, Tine Drive Gear, #50, Sprkt 10T, Gear 34T | |
| 32 | 7054412 | 1 | * ASSEMBLY, Wheel Drive Gear | |
| 33 | 7042764 | 1 | SPACER, Reverse (2.567" Long) | |
| 34 | 7051653 | 1 | * ASSEMBLY, Reverse Idler | |
| 35 | 7015342 | 1 | SEAL, Oil | |
| 36 | 7015343 | 1 | O-RING | |

Footnotes:

NOTE: * Part # 15339 DX Bearings are included, if purchased separately they must be pressed in.

MAIN CASE/GEARS (Series 3)



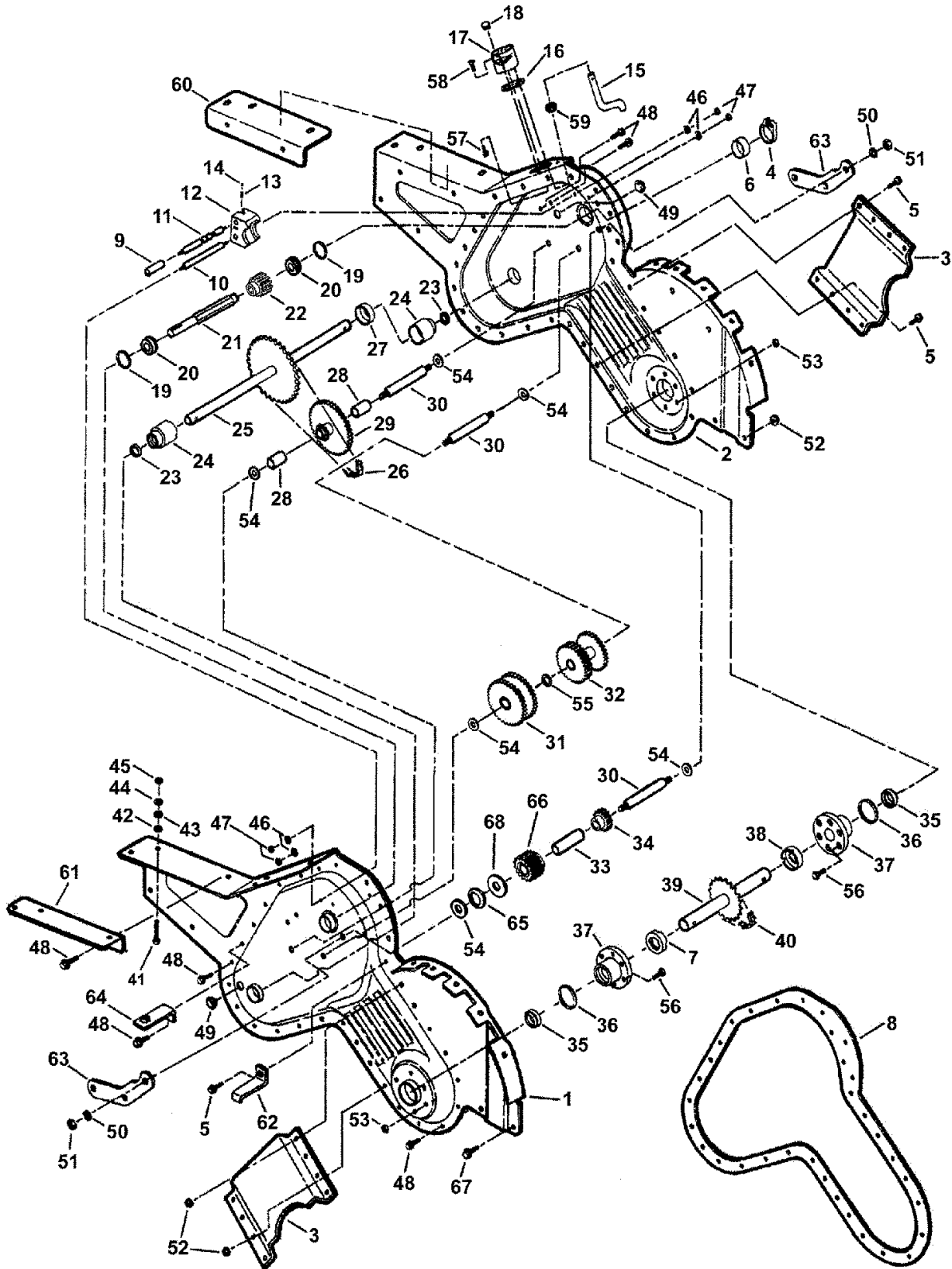
MAIN CASE/GEARS (Series 3)

| Item | Part No | Qty | Description | Note |
|------|---------|-----|---|-----------|
| 37 | 7018869 | 1 | BEARING, Tine Shaft | |
| 38 | 7029890 | 1 | SPACER, Tine Shaft Long | |
| 39 | 7041726 | 1 | WELDMENT, Tine Shaft (#50/18T) | |
| 40 | 7028476 | 1 | CHAIN, Tine (Endless Roller) #50 | |
| 41 | 7091513 | 4 | SCREW, 5/16-24 x 1-3/4" Hex Head Cap GR5 | Was 91689 |
| 42 | 7011791 | 1 | RETAINER, 5/16" Bolt (Black) | |
| 43 | 7091076 | 16 | WASHER, 5/16" Flat | |
| 44 | 7091690 | 4 | WASHER, 5/16" Split Lock | |
| 45 | 7091297 | 4 | NUT, 5/16-24 Hex | Was 91692 |
| 46 | 7090053 | 4 | WASHER, 1/4" Internal Tooth Lock | Was 91023 |
| 47 | 7090095 | 4 | NUT, 1/4-20 Hex | Was 91024 |
| 49 | 7011024 | 1 | PLUG | |
| 48 | 7091946 | 21 | SCREW, 5/16-18 x 5/8" Hex Washer Self-Tap | |
| 50 | 7090873 | 3 | WASHER, 7/16" Internal Tooth Lock | |
| 51 | 7090460 | 3 | NUT, 7/16-20 Hex | |
| 52 | 7091601 | 8 | NUT, 5/16-18 Hex Flange Lock | Was 91070 |
| 53 | 7091584 | 6 | NUT, 1/4-20 Hex Flange Lock | Was 91065 |
| 54 | 7090953 | 3 | SHIM-WASHER | |
| 55 | 7020938 | 1 | SHIM WASHER, 5/8" | |
| 56 | 7090072 | 12 | SCREW, 1/4-20 x 5/8" Hex Head Cap GR5 | Was 79405 |
| 57 | 7091122 | 1 | SCREW, 1/4-20 x 1/2" Hex Washer Self-Tap | Was 90539 |
| 58 | 7091819 | 3 | SCREW, 1/4-20 x 3/4" Hex Washer Self-Tap | Was 90362 |
| 59 | 7023514 | 1 | O-RING, #012 | |
| 60 | 7038647 | 1 | REINFORCEMENT, R.H. Frame | |
| 61 | 7038648 | 1 | REINFORCEMENT, L.H. Frame | |
| 62 | 7034680 | 1 | BRACE, Belt Cover | |
| 63 | 7061174 | 1 | SIDE PLATE | Was 33415 |
| 64 | 7033962 | 1 | BRACKET, Belt Cover- IRT | |
| 65 | 7033531 | 3 | WASHER, Shim | |
| 66 | 7090606 | 4 | BOLT, 5/16-18 x 5/8" Hex Flange Lock | Was 91510 |

Footnotes:

NOTE: * Part # 15339 DX Bearings are included, if purchased separately they must be pressed in.

MAIN CASE/GEARS (Series 4&5)



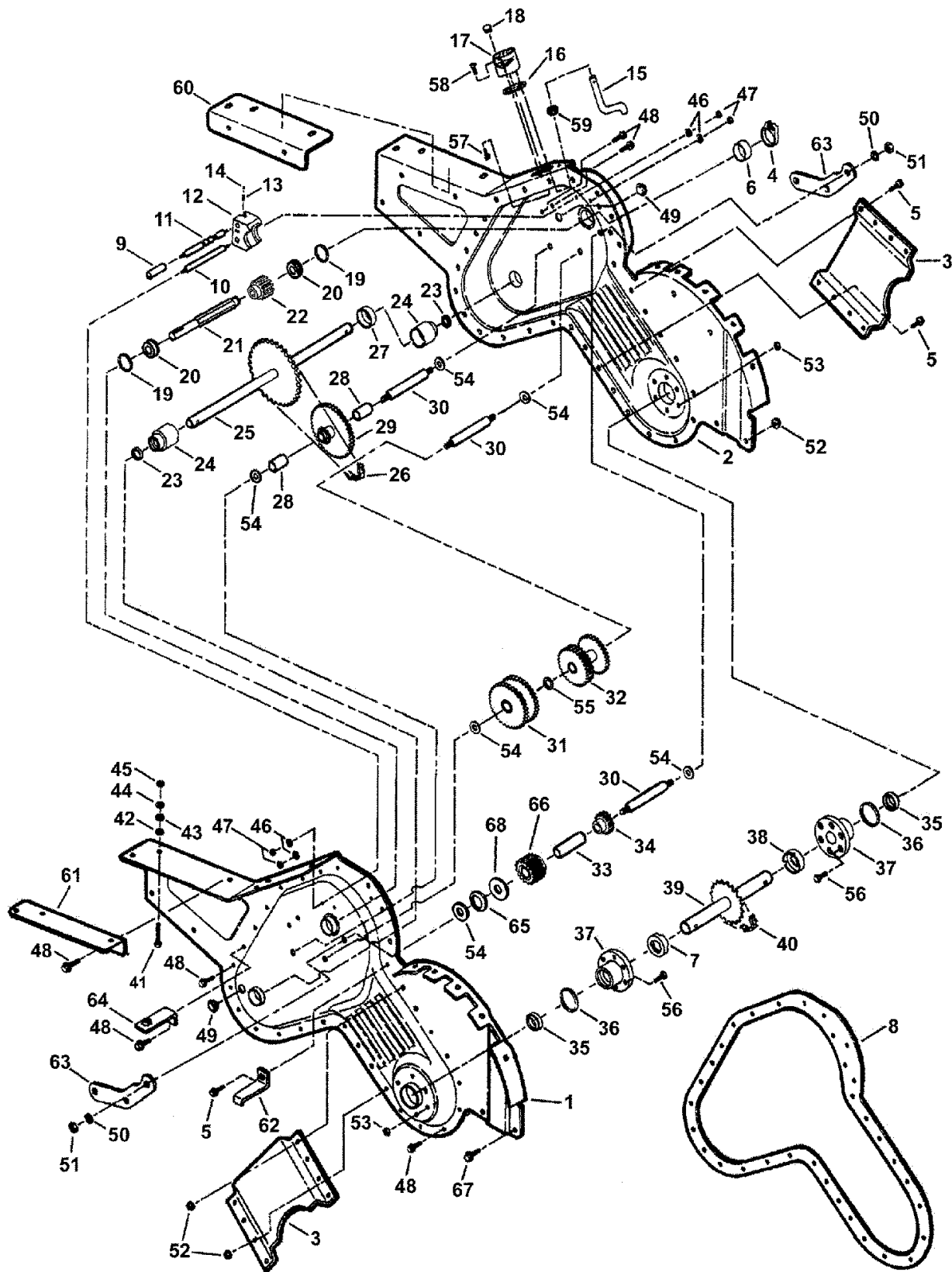
MAIN CASE/GEARS (Series 4&5)

| Item | Part No | Qty | Description | Note |
|------|---------|-----|--|-----------|
| | 7057824 | 1 | ASSEMBLY, Tiller Case | |
| 1 | 7034681 | 1 | CASE HALF, Left Hand | |
| 2 | 7034682 | 1 | CASE HALF, Right Hand | |
| 3 | 7034677 | 2 | REINFORCEMENT, Case | |
| 4 | 7015597 | 1 | CLAMP, Speedy | |
| 5 | 7091681 | 7 | BOLT, 5/16-18 x 1" Hex Flange Lock | |
| 6 | 7015598 | 1 | SEAL, Cap | |
| 7 | 7028672 | 1 | SPACER, Tine Shaft (Short) | |
| 8 | 7028753 | 1 | GASKET, Main Case IR5003B Tiller | |
| 9 | 7046787 | 1 | SPACER, Main Shaft (.47" long) | |
| 10 | 7021977 | 1 | PIN, Guide | |
| 11 | 7046786 | 1 | SHAFT, Main Detent (5 Position) ICFR | |
| 12 | 7046604 | 1 | FORK, Primary Shaft | |
| 13 | 7023252 | 1 | SPRING, Compression | Was 14500 |
| 14 | 7014469 | 1 | BALL, Detent | |
| 15 | 7015405 | 1 | CRANK, Shift | |
| 16 | 7015679 | 1 | GASKET, Shift Arm Pivot | |
| 17 | 7015313 | 1 | PIVOT, Shift Arm | |
| 18 | 7015409 | 1 | PLUG, 1/2" Button | |
| 19 | 7015350 | 1 | O-RING | |
| 20 | 7010756 | 1 | BEARING, .625 x 1.37 x .435 | |
| 21 | 7023849 | 1 | SHAFT, Input | |
| 22 | 7046785 | 1 | PINION, Input ICFR | |
| 23 | 7015136 | 1 | SEAL, Oil | |
| 24 | 7015319 | 1 | BEARING, Axle | |
| 25 | 7040609 | 1 | WELDMENT, Axle (#40/34T) | |
| 26 | 7015347 | 1 | CHAIN, Traction #40 | |
| 27 | 7015318 | 1 | SPACER, Wheel Shaft (.686" Thick) | |
| 28 | 7015348 | 2 | SPACER, 5/8 x 1.11" | |
| 29 | 7018790 | 1 | GEAR & SPROCKET | |
| 30 | 7045127 | 3 | SHAFT, Gear | |
| 31 | 7057823 | 1 | * ASSY, F&R Tine Drive Gear #50, Spkt 10T Gear 34T | |
| 32 | 7054412 | 1 | * ASSEMBLY, Wheel Drive Gear | |
| 33 | 7046791 | 1 | SPACER, Reverse Idler (1.245" long) | |
| 34 | 7051653 | 1 | * ASSEMBLY, Reverse Idler | |
| 35 | 7015342 | 1 | SEAL, Oil | |
| 36 | 7015343 | 1 | O-RING | |

Footnotes:

NOTE: * Part # 15339 DX Bearings are included, if purchased separately they must be pressed in.

MAIN CASE/GEARS (Series 4&5)



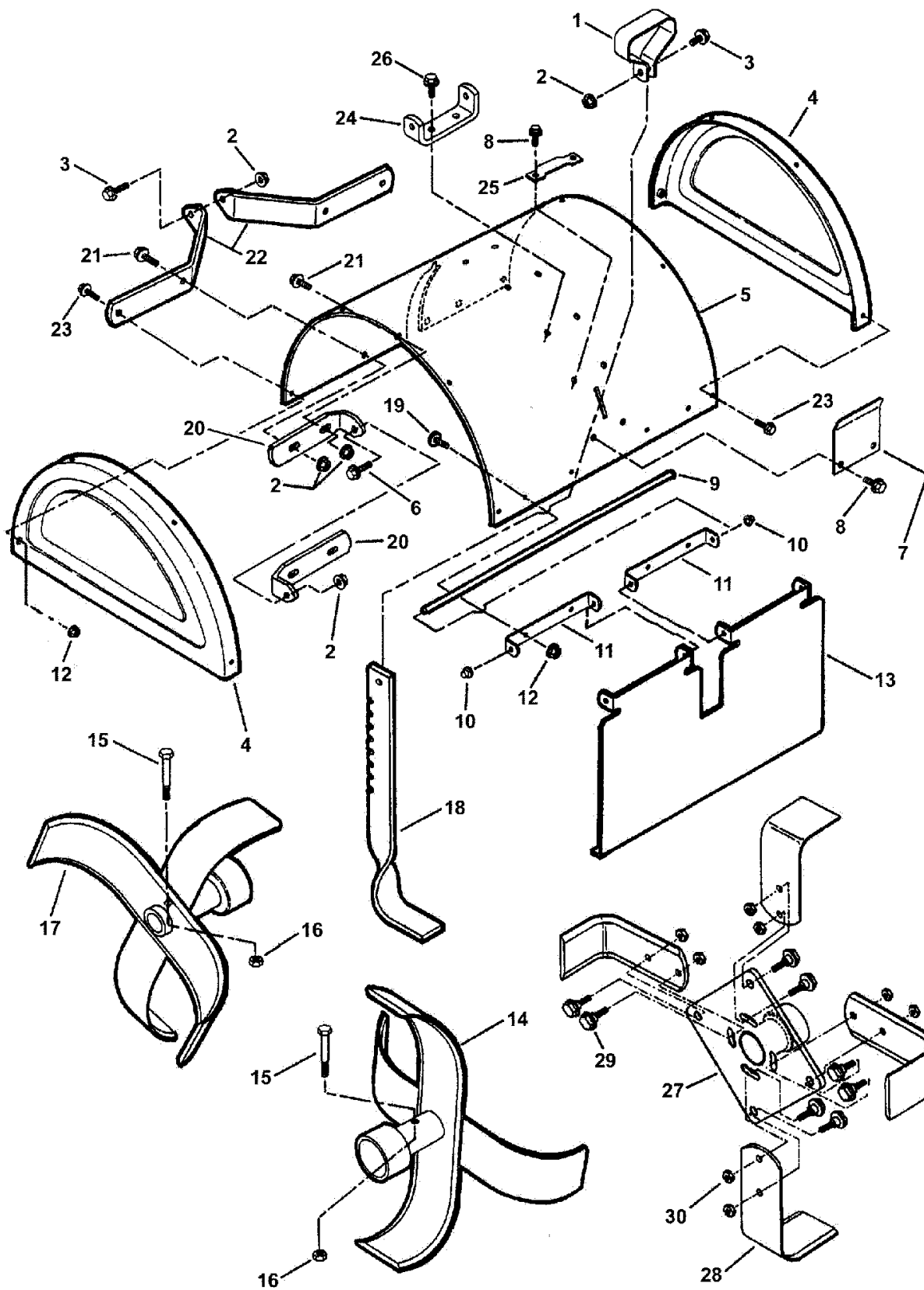
MAIN CASE/GEARS (Series 4&5)

| Item | Part No | Qty | Description | Note |
|------|---------|-----|--|-----------|
| 37 | 7018869 | 1 | BEARING, Tine Shaft | |
| 38 | 7029890 | 1 | SPACER, Tine Shaft Long | |
| 39 | 7041726 | 1 | WELDMENT, Tine Shaft (#50/18T) | |
| 40 | 7028476 | 1 | CHAIN, Tine (Endless Roller) #50 | |
| 41 | 7091513 | 4 | SCREW, 5/16-24 x 1-3/4" Hex Head Cap GR5 | Was 91689 |
| 42 | 7011791 | 1 | RETAINER, 5/16" Bolt (Black) | |
| 43 | 7091076 | 16 | WASHER, 5/16" Flat | |
| 44 | 7091690 | 4 | WASHER, 5/16" Split Lock | |
| 45 | 7091297 | 4 | NUT, 5/16-24 Hex | Was 91692 |
| 46 | 7090053 | 4 | WASHER, 1/4" Internal Tooth Lock | Was 91023 |
| 47 | 7090095 | 4 | NUT, 1/4-20 Hex | Was 91024 |
| 48 | 7091946 | 21 | SCREW, 5/16-18 x 5/8" Hex Washer Self-Tap | |
| 49 | 7011024 | 1 | PLUG | |
| 50 | 7090873 | 3 | WASHER, 7/16" Internal Tooth Lock | |
| 51 | 7090460 | 3 | NUT, 7/16-20 Hex | |
| 52 | 7091601 | 8 | NUT, 5/16-18 Hex Flange Lock | Was 91070 |
| 53 | 7091584 | 6 | NUT, 1/4-20 Hex Flange Lock | Was 91065 |
| 54 | 7090953 | 3 | SHIM-WASHER | |
| 55 | 7020938 | 1 | SHIM WASHER, 5/8" | |
| 56 | 7090072 | 12 | SCREW, 1/4-20 x 5/8" Hex Head Cap GR5 | Was 79405 |
| 57 | 7091122 | 1 | SCREW, 1/4-20 x 1/2" Hex Washer Self-Tap | Was 90539 |
| 58 | 7091819 | 3 | SCREW, 1/4-20 x 3/4" Hex Washer Self-Tap | Was 90362 |
| 59 | 7023514 | 1 | O-RING, #012 | |
| 60 | 7038647 | 1 | REINFORCEMENT, R.H. Frame | |
| 61 | 7038648 | 1 | REINFORCEMENT, L.H. Frame | |
| 62 | 7034680 | 1 | BRACE, Belt Cover | |
| 63 | 7061174 | 1 | SIDE PLATE | Was 33415 |
| 64 | 7033962 | 1 | BRACKET, Belt Cover- IRT | |
| 65 | 7033531 | 3 | WASHER, Shim | |
| 66 | 7058469 | 1 | * ASSY, Gear 16T (Incl. two 15339 DX Bearings) | |
| 67 | 7090606 | 4 | BOLT, 5/16-18 x 5/8" Hex Flange Lock | Was 91510 |
| 68 | 7072801 | 1 | WASHER, Shim .63 x 1.24 x .05 | |

Footnotes:

NOTE: * Part # 15339 DX Bearings are included, if purchased separately they must be pressed in.

TILLER HEAD COMPONENTS

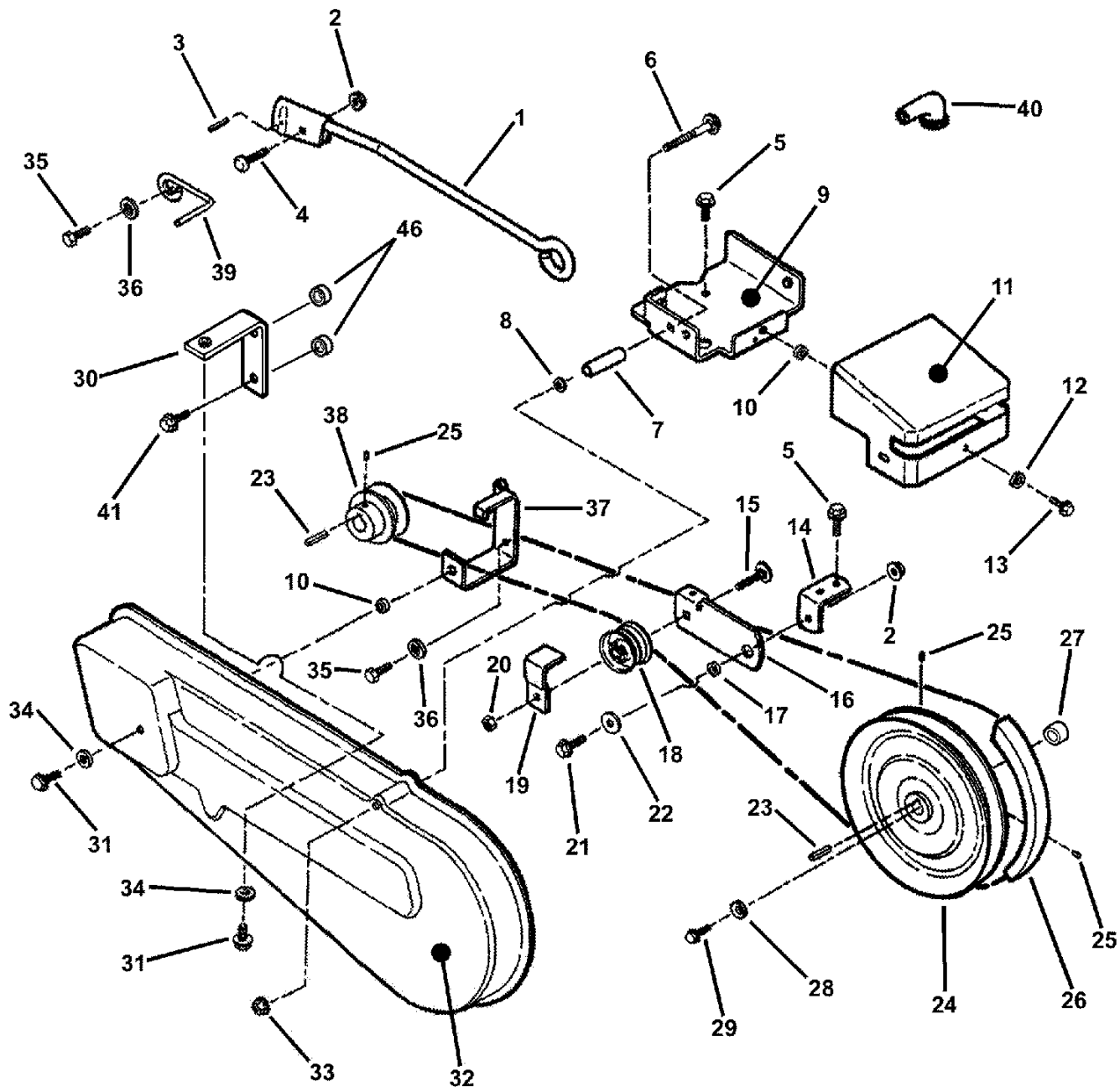


TILLER HEAD COMPONENTS

| Item | Part No | Qty | Description | Note |
|------|---------|-----|--|--|
| 1 | 7032553 | 1 | HANDLE, Depth Bar | |
| 2 | 7091601 | 7 | NUT, 5/16-18 Hex Flange Lock | Was 91070 |
| 3 | 7091681 | 2 | BOLT, 5/16-18 x 1" Hex Flange Lock | |
| 4 | 7034745 | 2 | COVER, Side Tine IR5003B | |
| 5 | 7034684 | 1 | COVER, Tine IR5003B | |
| 6 | 7091602 | 2 | BOLT, 5/16-18 x 1-1/2" Hex Flange Lock GR5 | |
| 7 | 7034756 | 1 | SPRING, Depth Bar IR5003B | |
| 8 | 7090361 | 8 | SCREW, 5/16-18 x 5/8" Hex Washer Self-Tap | |
| 9 | 7032494 | 1 | PIN, Drag Shield (1/4" Dia. x 14-1/2" Steel Rod) | |
| 10 | 7091020 | 2 | PUSHNUT, 1/4" | |
| 11 | 7032536 | 2 | HINGE, Half | |
| 12 | 7091584 | 6 | NUT, 1/4-20 Hex Flange Lock | Was 91065 |
| 13 | 7036168 | 1 | SHIELD, Drag | |
| 14 | 7075157 | 1 | WELDMENT, Right Tine | Was 49735 |
| 15 | 7028725 | 2 | SCREW, 5/16-24 x 2" Hex Head Cap GR5 | |
| 16 | 7091606 | 2 | NUT, 5/16-24 Hex Center Lock | |
| 17 | 7075158 | 1 | WELDMENT, Left Tine | Was 49734 |
| 18 | 7038235 | 1 | DEPTH-BAR | |
| 19 | 7091604 | 4 | BOLT, 1/4-20 x 1/2" Short Neck Carriage GR5 | |
| 20 | 7034683 | 2 | REINFORCEMENT, Rear Tine Cover | |
| 21 | 7090595 | 4 | BOLT, 5/16-18 x 5/8" Hex Flange Lock GR5 | |
| 22 | 7038272 | 2 | REINFORCEMENT, Front Tine Cover | |
| 23 | 7090290 | 3 | SCREW, 1/4-20 x 3/4" Hex Washer Self-Tap | Was 91686 |
| 24 | 7034755 | 1 | BRACKET, Support IR5003B | |
| 25 | 7034757 | 1 | PLATE, Latch | |
| 26 | 7091841 | 2 | SCREW, 5/16-18 x 1" Hex Washer Self-Tap | Was 91742 |
| | 7057831 | | ASSEMBLY, Tine (Incl. items 27 thru 30) | ICFR5004B, EICFR5004B, ICFR5505BV, CICFR5505HV, EICFR5505BV and ICFR7005BV only |
| 27 | 7046798 | 1 | WELDMENT, Tine Hub ICFR | |
| 28 | 7075142 | 8 | TINE, 11.5" (.312" Thick) | Was 38215 |
| 29 | 7014981 | 16 | BOLT, 3/8-24 Shoulder | |
| 30 | 7090524 | 16 | NUT, 3/8-24 Hex Top Lock GR C | |
| | 7090289 | 8 | NUT, 3/8-24 Hex Center Lock GR5 or B | |

Footnotes:

SHIFT & DRIVE COMPONENTS



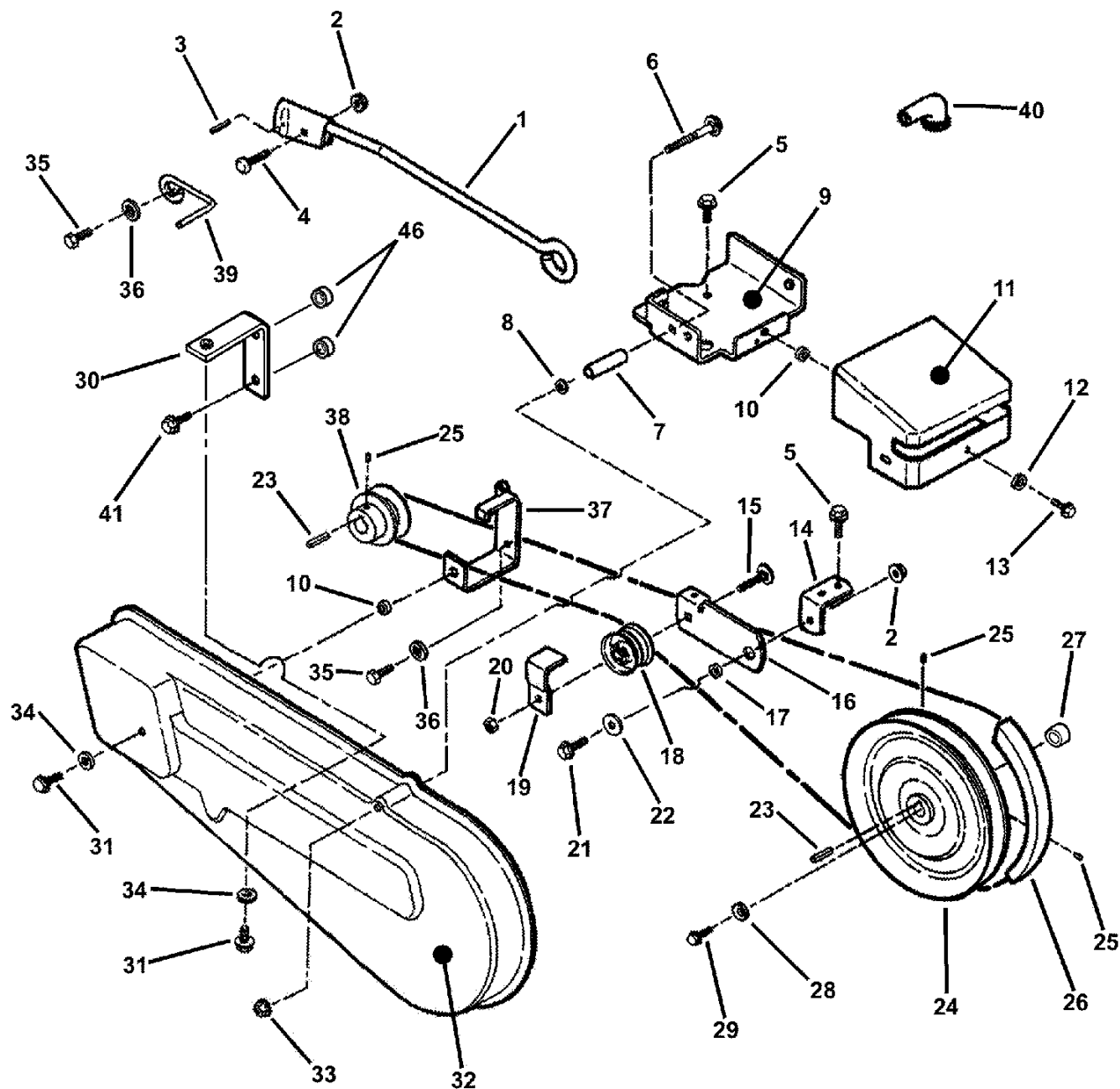
SHIFT & DRIVE COMPONENTS

| Item | Part No | Qty | Description | Note |
|------|---------|-----|---|-----------|
| 1 | 7047884 | 1 | WELDMENT, Shift Lever | |
| 2 | 7091601 | 8 | NUT, 5/16-18 Hex Flange Lock | Was 91070 |
| 3 | 7013550 | 1 | ROLL PIN 3/16 x 1" | |
| 4 | 7091303 | 3 | BOLT, 5/16-18 x 3/4" Square Neck Carriage GR5 | Was 91072 |
| 5 | 7090361 | 12 | SCREW, 5/16-18 x 5/8" Hex Washer Self-Tap | |
| 6 | 7090959 | 1 | BOLT, 5/16-18 x 2-1/2" Short Neck Carriage GR5 | |
| 7 | 7023851 | 1 | TUBE, 3/8" I.D. x 1-7/8" Long | |
| 8 | 7011791 | 1 | RETAINER, 5/16" Bolt (Black) | |
| 9 | 7038646 | 1 | PLATE, Shift | |
| 10 | 7033349 | 2 | BUSHING, Rubber | |
| 11 | 7017018 | 1 | COVER, Shift | |
| | 7046932 | 1 | COVER, Shift | |
| 12 | 7091294 | 3 | WASHER, 1/4" Flat | Was 90055 |
| 13 | 7090290 | 3 | SCREW, 1/4-20 x 3/4" Hex Washer Self-Tap | Was 91686 |
| 14 | 7032843 | 1 | BRACKET, Idler Pivot (shown) | |
| | 7074749 | 1 | BRACKET, Idler Pivot (not shown) | |
| 15 | 7090964 | 1 | BOLT, 3/8-16 x 1-1/2" Flat Head Carriage | |
| 16 | 7032846 | 1 | BRACKET, Idler Arm (shown) | |
| | 7074748 | 1 | BRACKET, Idler Arm (not shown) | |
| 17 | 7013849 | 1 | SPACER, 5/16" I.D. | |
| 18 | 7010948 | 1 | PULLEY, Idler (2" Outside Diameter) | |
| 19 | 7032662 | 1 | GUIDE, Idler | |
| 20 | 7091585 | 1 | NUT, 3/8-16 Hex Center Lock GR5 or B | Was 90546 |
| 21 | 7090595 | 1 | BOLT, 5/16-18 x 5/8" Hex Flange Lock GR5 | |
| 22 | 7016314 | 1 | WASHER, 11/32" Flat | |
| 23 | 7012830 | 1 | KEY, 3/16 Sq. x 3/4" Long | |
| 24 | 7011194 | 1 | PULLEY, Driven (9" Outside Dia.) | |
| 25 | 7090201 | 3 | SCREW, 5/16-18 x 5/16" Hex Set | |
| 26 | 7015403 | 1 | BELT, Drive (4L Kevlar 19.09" effective length) | |
| 27 | 7023852 | 1 | SPACER, 5/8" Internal Dia. | |
| 28 | 7091102 | 1 | WASHER, 1/4" Belville | |
| 29 | 7091122 | 1 | SCREW, 1/4-20 x 1/2" Hex Washer Self-Tap | Was 90539 |
| 30 | 7033962 | 1 | BRACKET, Belt Cover- IRT | |
| 31 | 7091946 | 21 | SCREW, 5/16-18 x 5/8" Hex Washer Self-Tap | |
| 32 | 7016022 | 1 | COVER, Belt | |
| 33 | 7090951 | 1 | NUT, 5/16-18 Hex Large Flange Center Lock | |
| 34 | 7091076 | 16 | WASHER, 5/16" Flat | |

Footnotes:

NOTE: * Purchase engine parts from engine manufacture dealer.

SHIFT & DRIVE COMPONENTS



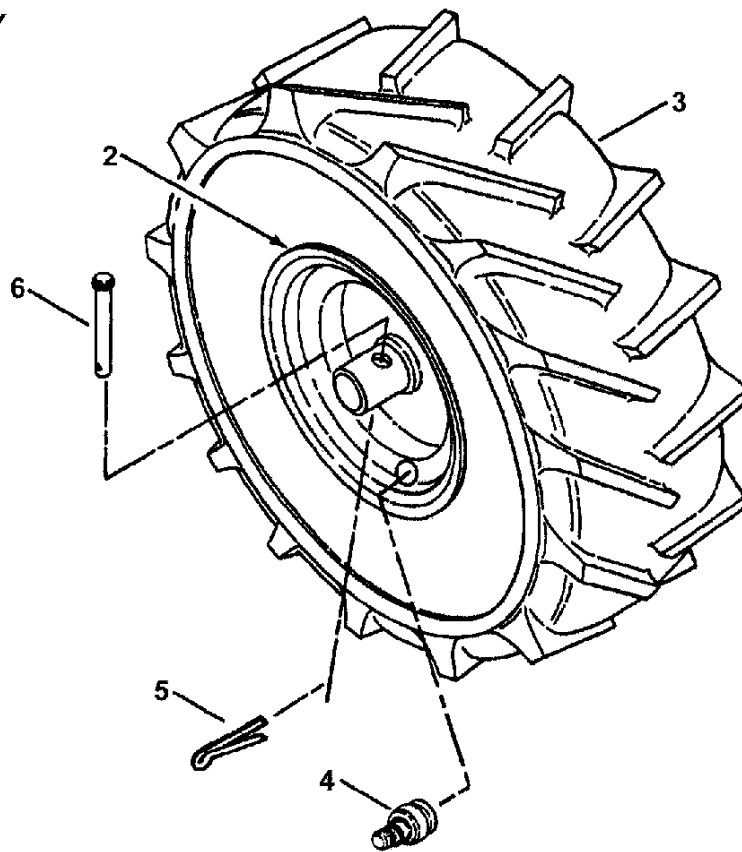
SHIFT & DRIVE COMPONENTS

| Item | Part No | Qty | Description | Note |
|------|---------|-----|---|------------------|
| 35 | 7090322 | 3 | SCREW, 5/16-24 x 1/2" Hex Head Cap GR5 | <i>Was 91685</i> |
| 36 | 7090391 | 3 | WASHER, 5/16" Internal Tooth Lock | |
| 37 | 7032541 | 1 | GUIDE, Belt | |
| 38 | 7011809 | 1 | PULLEY, Engine (2-1/2" Outside Dia.) | |
| 39 | 7015226 | 1 | GUIDE, Belt (Finger) | |
| 40 | 7011762 | 1 | BOOT, Spark Plug | |
| 41 | 7091841 | 2 | SCREW, 5/16-18 x 1" Hex Washer Self-Tap | <i>Was 91742</i> |
| | | | * ENGINE, B&S 5 HP Mod 130202-0127-01 | |
| | | | * ENGINE, B&S 5.5 HP Mod 126432-0036-E1 | |
| | | | * ENGINE, Honda 5.5 HP Mod GX160K1QX2 Type 553700 | |
| | | 1 | * ENGINE, B&S 7 HP Mod 120332-0208-E1 | |
| 42 | 7073743 | 1 | MUFFLER GUARD, 5HP B&S #391237(Euro) not shown | |
| | 7074764 | 1 | MUFFLER GUARD, 5.5HP B&S (not shown) | |
| 43 | 7073801 | 1 | SCREW, B&S #94810 (Euro) (not shown) | |
| 44 | 7073802 | 1 | SCREW, B&S #94887 (Euro) (not shown) | |
| 45 | 7074765 | 1 | SCREW, B&S #95259 (Euro) (not shown) | |
| 46 | 7028620 | 2 | SPACER, .340 I.D. x .63 O.D. x .310 Thick | |

Footnotes:

NOTE: * Purchase engine parts from engine manufacture dealer.

1 ASSEMBLY



WHEELS, TIRES, RIMS

| Item | Part No | Qty | Description | Note |
|-------------|----------------|------------|--|------------------|
| 1 | 7018579 | 1 | ASSEMBLY, Right Wheel (Incl. items 2, 3 & 4) | |
| | 7018580 | 1 | ASSEMBLY, Left Wheel (Incl. items 2, 3 & 4) | |
| 2 | 7014512 | 1 | RIM | |
| 3 | 7014511 | 1 | TIRE, 13 x 5.00 x 6 (Lug) | |
| 4 | 7012234 | 1 | VALVE, Air (Snap-In) | |
| 5 | 7034162 | 2 | PIN, 5/16" Self-Locking Cotter | |
| 6 | 7029841 | 2 | PIN, 5/16 x 1-11/16" Clevis | <i>Was 91677</i> |

Footnotes:

SNAPPER GROUNDBREAKER



1



2

3



4

5



6

| |
|--|
| <p>IMPORTANT SAFETY INSTRUCTIONS</p> <ol style="list-style-type: none"> 1. Be familiar with all controls and know how to stop tiller quickly. 2. Never allow children or inexperienced persons to operate your tiller. 3. Keep everyone safely away from the area being tilled. 4. Wear protective clothing and appropriate shoes to provide best footing. 5. Stay alert, give complete and undivided attention to the job on hand. 6. Fill fuel tank only when engine is stopped and not hot. Fill outside where fumes can be safely dissipated. 7. Keep feet, hands and clothing safely away from tines at all times. 8. Disengage the tines and stop the engine before making any adjustments, clearing tines, or leaving the operator's position. |
| <p>OPERATING INSTRUCTIONS</p> <p>HANDLE POSITION: POSITION HANDLE UP AND DOWN AS DESIRED.</p> <p>DEPTH OF TILLING: RAISE OR LOWER DEPTH BAR FOR DESIRED TILLING DEPTH.</p> <p>ENGINE START: CHECK OIL AND GAS, SET THROTTLE TO CHOKE OR FAST, AND PULL STARTER ROPE. SEE ENGINE MANUAL FOR DETAILS.</p> <p>TILLER CLUTCH: SHIFT TO DESIRED OPERATION AND PULL BACK AND UP ON CLUTCH BAIL FOR TRACTION DRIVE AND TILLING.</p> <hr/> <p>SEE OPERATOR'S MANUAL FOR ADDITIONAL INFORMATION</p> |

DECALS

| Item | Part No | Qty | Description | Note |
|-------------|----------------|------------|--------------------------------------|-------------|
| 1 | 7071652 | | DECAL, Ground Breaker (5HP) | |
| | 7074754 | | DECAL, Ground Breaker (5-1/2HP) | |
| 2 | 7071655 | | DECAL, SNAPPER | |
| 3 | 7071654 | | DECAL, 5HP Engine | |
| 4 | 7071653 | | DECAL, Dash Panel (5HP) | |
| | 7074756 | | DECAL, Dash Panel (5-1/2HP) | |
| 5 | 7015684 | | DECAL, Warning (Rotating Tines) | |
| 6 | 7043853 | | DECAL, Safety Operating Instructions | |

Footnotes:

⚠ WARNING

TO AVOID SERIOUS INJURY OR DEATH

- READ THE OPERATOR'S MANUAL.
- KNOW LOCATION AND FUNCTIONS OF ALL CONTROLS AND KNOW HOW TO STOP TILLER QUICKLY.
- NEVER ALLOW CHILDREN OR UNINSTRUCTED PERSONS TO OPERATE THE TILLER.
- KEEP EVERYONE SAFELY AWAY FROM TILLER.
- WEAR PROTECTIVE CLOTHING AND APPROPRIATE SHOES TO PROVIDE BEST FOOTING.
- USE EXTREME CAUTION WHEN REVERSING OR PULLING THE TILLER TOWARDS YOU.
- DISENGAGE THE TINES AND STOP ENGINE BEFORE CLEARING TINES, MAKING ANY ADJUSTMENTS OR LEAVING THE OPERATOR'S POSITION.
- KEEP AWAY FROM ROTATING PARTS.
- KEEP ALL CONTROLS, SHIELDS, AND OTHER SAFETY DEVICES IN PLACE AND WORKING.
- STOP ENGINE AND LET ENGINE COOL BEFORE REFUELING. ADD FUEL OUTDOORS WHERE FUMES CAN SAFELY DISSIPATE.
- STAY ALERT; GIVE COMPLETE AND UNDIVIDED ATTENTION TO THE JOB AT HAND.

OPERATING INSTRUCTIONS

HANDLE POSITION:
POSITION HANDLE UP AND DOWN AS DESIRED.

DEPTH OF TILLING:
RAISE OR LOWER DEPTH BAR FOR DESIRED TILLING DEPTH.

ENGINE START:
CHECK OIL AND GAS, SET THROTTLE TO CHOKE OR FAST AND PULL STARTER ROPE. SEE ENGINE MANUAL FOR DETAILS.

TILLER CLUTCH:
SHIFT TO DESIRED OPERATION AND PULL BACK AND UP ON CLUTCH BAIL FOR TRACTION DRIVE AND TILLING.

SEE OPERATOR'S MANUAL FOR ADDITIONAL INFORMATION

7

STARTING PROCEDURE

1. CHECK FUEL & OIL. (REF. ENGINE MANUAL).
2. MOVE TOP LEVER TO CHOKE & MOVE THROTTLE LEVER TO RUN.
3. PLACE FOOT ON TOP OF RIGHT WHEEL.
4. HOLD HANDLE BAR AND PULL STARTER ROPE UNTIL ENGINE STARTS.
5. REDUCE CHOKE AS ENGINE WARMS.

⚠ WARNING

KEEP AWAY FROM ROTATING TINES. ROTATING TINES WILL CAUSE INJURY.

8

STARTING PROCEDURE

1. CHECK FUEL & OIL. (REF. ENGINE MANUAL).
2. MOVE TOP LEVER TO CHOKE & MOVE THROTTLE LEVER TO RUN.
3. PLACE FOOT ON TOP OF RIGHT WHEEL.
4. HOLD HANDLE BAR AND PULL STARTER ROPE UNTIL ENGINE STARTS.
5. REDUCE CHOKE AS ENGINE WARMS.

⚠ WARNING

KEEP AWAY FROM ROTATING TINES. ROTATING TINES MAY CAUSE INJURY.

9

STARTING PROCEDURE

1. CHECK FUEL & OIL. (REF. ENGINE MANUAL).
2. MOVE TOP LEVER TO CHOKE & MOVE THROTTLE LEVER TO RUN.
3. PLACE FOOT ON TOP OF RIGHT WHEEL.
4. HOLD HANDLE BAR AND PULL STARTER ROPE UNTIL ENGINE STARTS.
5. REDUCE CHOKE AS ENGINE WARMS.

ATTENTION!

- ENGINE BASE MUST BE LEVEL WHEN CHECKING OIL.
- LOW OIL LEVEL CAN RESULT IN ENGINE DAMAGE.

10

⚠ WARNING

STANDING TILLER ON END WITH FUEL TANK MORE THAN 1/2 FULL COULD RESULT IN:

- EXTERNAL FUEL LEAK AND FIRE HAZARD.
- FUEL LEAK INSIDE ENGINE AND ENGINE DAMAGE.

11

⚠ CAUTION

STANDING TILLER ON END WITH FUEL TANK MORE THAN 1/2 FULL COULD RESULT IN:

- EXTERNAL FUEL LEAK AND POTENTIAL FIRE HAZARD.
- FUEL LEAK INSIDE ENGINE AND ENGINE DAMAGE.

12

13

14

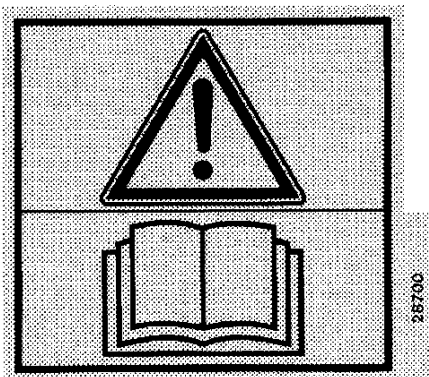
This Product may be covered by one or more of the following patents:

| | |
|-----------------------|-----------|
| 4,158,270 | 4,160,112 |
| 4,189,804 | 4,238,036 |
| 4,430,848 | 4,498,552 |
| 4,620,733 | 4,938,886 |
| 4,889,400 | 4,942,241 |
| 5,105,733 | 5,195,308 |
| 5,287,379 | 5,303,539 |
| 5,353,981 | 5,488,818 |
| 5,526,035 | 5,558,460 |
| Other Patents Pending | 2,947,0 |

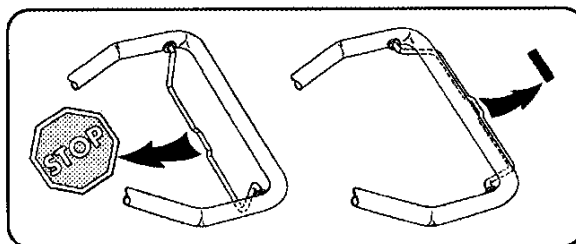
DECALS (continued)

| Item | Part No | Qty | Description | Note |
|-------------|----------------|------------|-----------------------------------|-------------|
| 7 | 7046534 | | DECAL, Warning/Instructions | |
| 8 | 7046919 | | DECAL, Starting and Warning | |
| 9 | 7043854 | | DECAL, Warning/Starting Procedure | |
| 10 | 7017682 | | DECAL, Engine Oil | |
| 11 | 7015408 | | DECAL, Starting Procedure | |
| 12 | 7046994 | | DECAL, Caution (Standing on end) | |
| 13 | 7023043 | | DECAL, Caution (Standing on end) | |
| 14 | 7029470 | | DECAL, Patent Numbers | |

Footnotes:



15



16



18



17



19

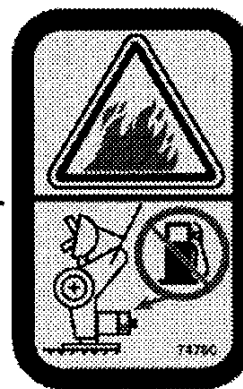
20



This chain case was built and inspected by _____.

21

22



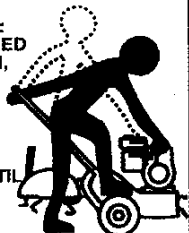
DECALS (continued)

| Item | Part No | Qty | Description | Note |
|-------------|----------------|------------|---------------------------------|-------------|
| 15 | 7028700 | | DECAL, Chute/Read Manual (Euro) | |
| 16 | 7042837 | | DECAL, OPC Tiller (Euro) | |
| 17 | 7072134 | | DECAL, Dash Panel (Euro) | |
| 18 | 7073339 | | DECAL, OPEI Tiller | |
| 19 | 7075378 | | DECAL, 2003 Year of Manufacture | |
| | 7074548 | | DECAL, 2002 Year of Manufacture | |
| 20 | 7029776 | | DECAL, European Community | |
| 21 | 7047040 | | DECAL, Chain Case Inspected By | |
| 22 | 7074760 | | DECAL, Fuel Safety Tiller | |

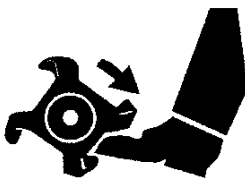
Footnotes:

STARTING PROCEDURE

1. CHECK FUEL & OIL (REF. ENGINE MANUAL).
2. SET ENGINE CONTROLS: CHOKE ON, ENGINE SPEED FAST, FUEL VALVE OPEN, KILL SWITCH ON (IF EQUIPPED).
3. PLACE FOOT ON TOP OF RIGHT WHEEL.
4. HOLD HANDLE BAR AND PULL STARTER ROPE UNTIL ENGINE STARTS.
5. REDUCE CHOKE AS ENGINE WARMS.

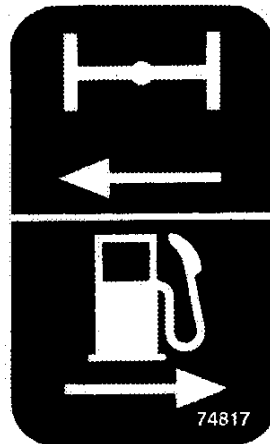


WARNING

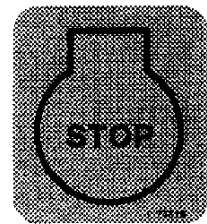


KEEP AWAY FROM ROTATING TINES. ROTATING TINES WILL CAUSE INJURY.

74814



74817



CAUTION

IF BATTERY IS REMOVED, DO NOT OPERATE ENGINE WITHOUT INSULATING POS+ BATTERY CABLE TERMINAL WITH ELECTRICAL TAPE, OR SPARKING FROM BATTERY CABLES CAN RESULT.



ENGINE "ON-OFF" SWITCH IN FRONT OF ENGINE. →

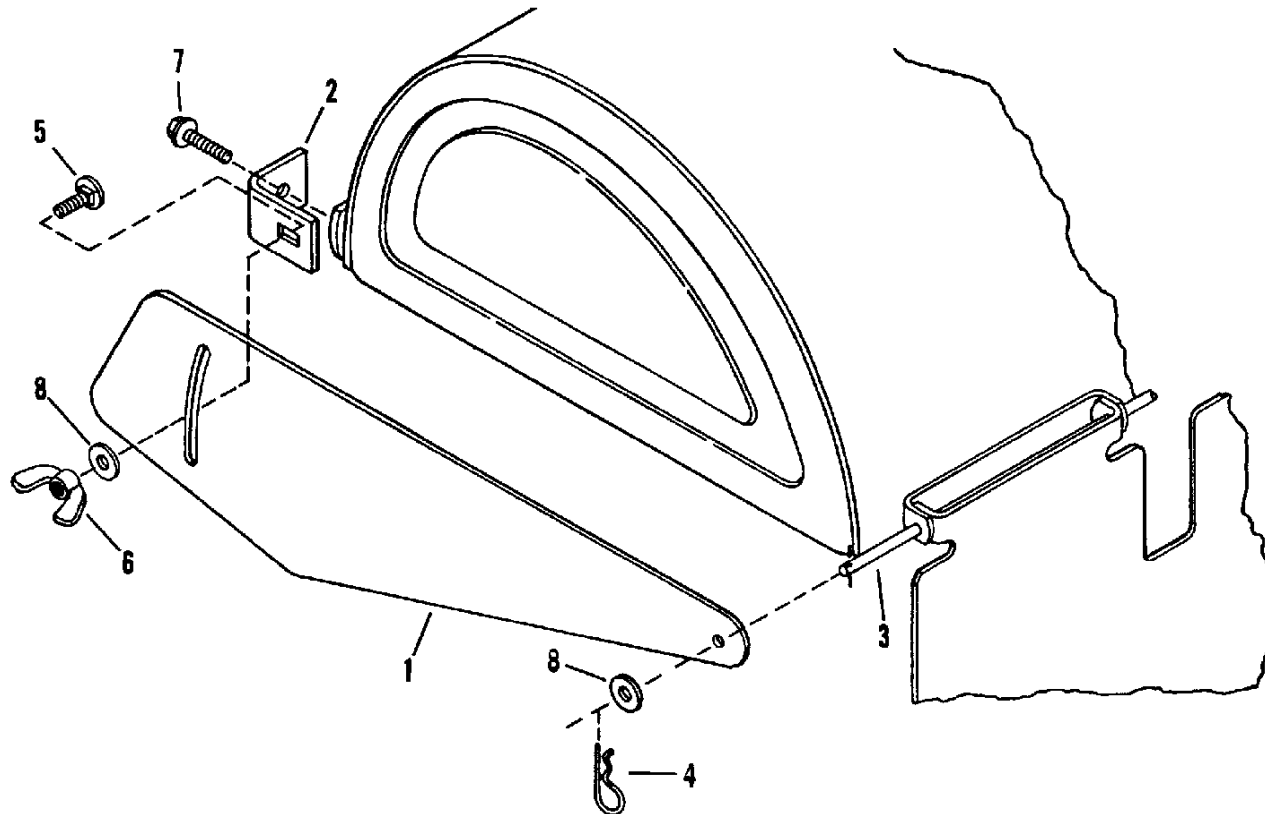
74820

DECALS (continued)

| Item | Part No | Qty | Description | Note |
|-------------|----------------|------------|---|-------------|
| 23 | 7074814 | | DECAL, Warning and Starting Instruction | |
| 24 | 7074815 | | DECAL, Stop | |
| 25 | 7074816 | | DECAL, Speed | |
| 26 | 7074817 | | DECAL, Choke and Fuel | |
| 27 | 7074820 | | DECAL, Engine On-Off | |
| 28 | 7016134 | | DECAL, Caution Tag | |

Footnotes:

#6-0865 CULTIVATOR SHIELD KIT

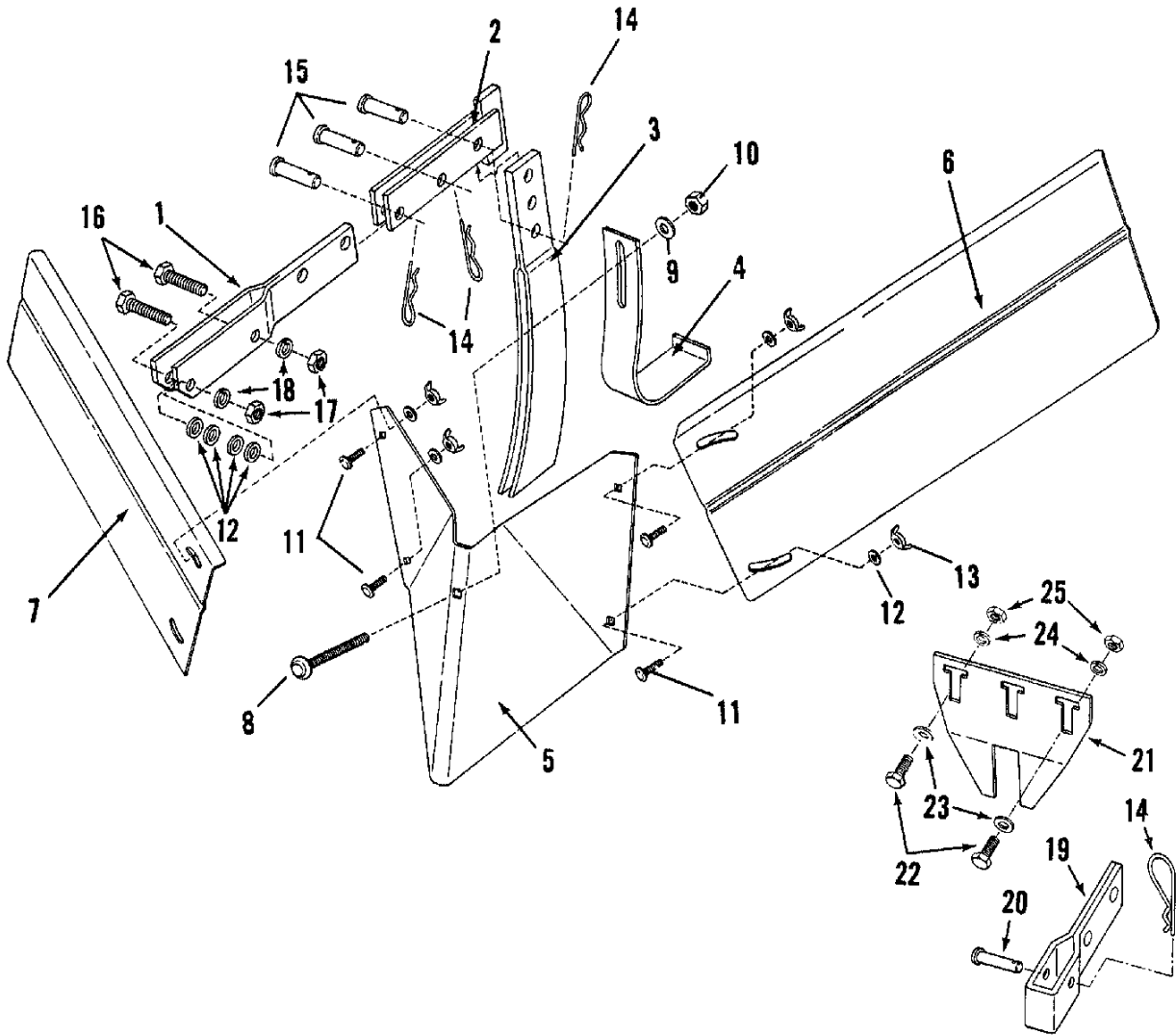


CULTIVATOR SHIELD KIT

| Item | Part No | Qty | Description | Note |
|-------------|----------------|------------|--|-------------------------------|
| | 7060865 | | KIT, Cultivator Shield | <i>(Incl. items 1 thru 9)</i> |
| 1 | 7036266 | 2 | CULTIVATOR, Shield | |
| 2 | 7032724 | 2 | BRACKET, Front Latch | |
| 3 | 7038397 | 1 | PIN, Drag Shield | |
| 4 | 7012431 | 2 | PIN, 1/4" Hair | |
| 5 | 7090803 | 1 | BOLT, 1/4-20 x 5/8" Flat Hd. Short Neck Carriage | |
| 6 | 7090911 | 2 | SCREW, 1/4-20 x 1-1/4" Hex Washer Self-Tap | |
| 7 | 7091294 | 1 | WASHER, 1/4" Flat | <i>Was 90055</i> |
| 8 | 7091597 | 2 | PIN, 3/32 x 3/4" Cotter | <i>Was 90037</i> |

Footnotes:

#6-0731 HILLER/FURROWER KIT



HILLER - FURROWER KIT

| Item | Part No | Qty | Description | Note |
|------|---------|-----|---|--------------------------------|
| | 7060731 | | KIT, Hiller/Furrower | <i>(Incl. items 1 thru 26)</i> |
| 1 | 7047875 | 1 | BRACKET, Clevis | |
| 2 | 7047858 | 1 | DRAW-BAR | |
| 3 | 7047865 | 1 | STANDARD | |
| 4 | 7032430 | 1 | SKID-SHOE | |
| 5 | 7035072 | 1 | HILLER-FURROWER | |
| 6 | 7036135 | 1 | WING, Left Side Hiller | |
| 7 | 7036134 | 1 | WING, Right Side Hiller | |
| 8 | 7090779 | 1 | BOLT, 1/2-13 x 3-1/2" Sh. Neck. Carriage GR2 | |
| 9 | 7090705 | 1 | WASHER, 1/2" Flat | |
| 10 | 7091316 | 1 | NUT, 1/2-13 Hex GR5 or B | <i>Was 90258</i> |
| 11 | 7090316 | 4 | BOLT, 5/16-18 X 3/4" Square Neck Carriage GR5 | |
| 12 | 7090188 | 8 | WASHER, 5/16" Flat | |
| 13 | 7091537 | 4 | WING-NUT, 5/16-18 | <i>Was 90492</i> |
| 14 | 7091596 | 3 | PIN, 1/8" Hair | <i>Was 13844</i> |
| 15 | 7013111 | 3 | PIN, 1/2 x 1" Clevis | |
| 16 | 7091540 | 2 | BOLT, 5/16-18 x 1-1/2" Hex Head Cap GR5 | <i>Was 90211</i> |
| 17 | 7091511 | 2 | NUT, 5/16-18 Hex GR5 or B | <i>Was 90196</i> |
| 18 | 7080187 | 2 | WASHER, 5/16" Split Lock | |
| 19 | 7040527 | 1 | BRACKET, Mounting (Front Tine Tiller only) | |
| 20 | 7013460 | 1 | PIN, 3/8 x 1-1/2" Clevis (Front Tine Tiller only) | |
| 21 | 7038217 | 1 | SUPPORT, Clevis | |
| 22 | 7090134 | 2 | SCREW, 3/8-16 x 3/4" Hex Head Cap GR5 | |
| 23 | 7090122 | 1 | WASHER, 3/8" Flat | |
| 24 | 7090118 | 2 | WASHER, 3/8" Split Lock | |
| 25 | 7091302 | 6 | NUT, 3/8-16 Hex GR5 or B | <i>Was 90130</i> |
| 26 | 7014206 | 1 | SPACER (not shown) | |

Footnotes:

Parts Manual for

SNAPPER[®]

INTERMEDIATE REAR TINE TILLERS SERIES 3, 4 & 5

IT IS THE POLICY OF SNAPPER TO IMPROVE ITS PRODUCTS
WHENEVER IT IS POSSIBLE AND PRACTICAL TO DO SO. WE
RESERVE THE RIGHT TO MAKE CHANGES OR ADD IMPROVEMENTS
AT ANY TIME WITHOUT INCURRING ANY OBLIGATION TO MAKE
SUCH CHANGES ON PRODUCTS MANUFACTURED PREVIOUSLY.

SNAPPER McDonough, GA, 30253 U.S.A.