

USER GUIDE AND SPECIFICATIONS

NI cDAQ-9172

このドキュメントの日本語版については、ni.com/jp/manualsを参照してください。(For a Japanese language version, go to ni.com/jp/manuals.)

This user guide describes how to use the National Instruments cDAQ-9172 chassis and lists specifications. For an interactive demonstration of how to install the NI cDAQ-9172, go to ni.com/info and enter `daqinstall`.

The NI cDAQ-9172 is an eight-slot USB chassis designed for use with C Series I/O modules. The NI cDAQ-9172 chassis is capable of measuring a broad range of analog and digital I/O and sensors using a Hi-Speed USB 2.0 interface. For module specifications, refer to the documentation included with your C Series I/O module(s) or go to ni.com/manuals.

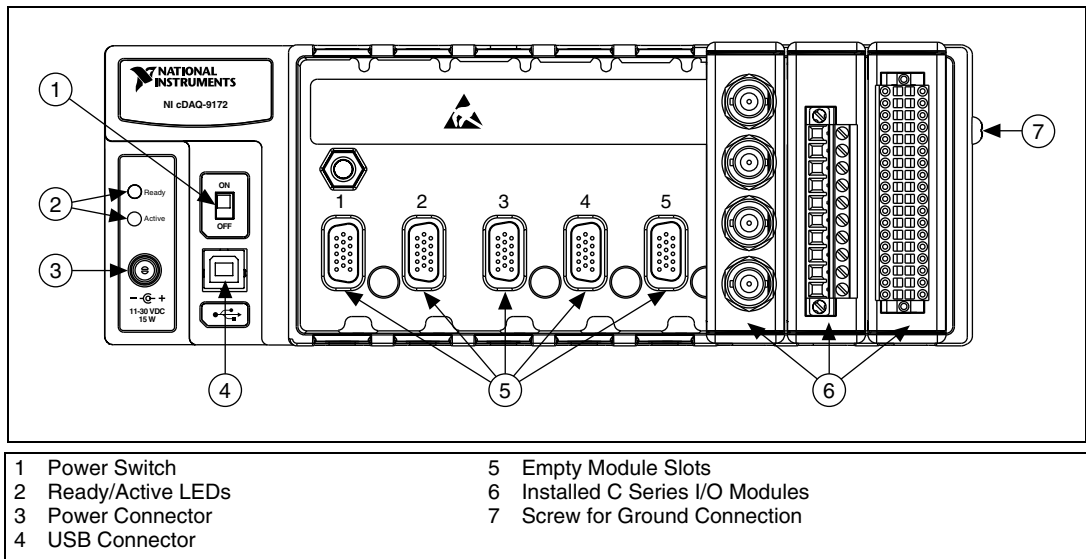


Figure 1. NI cDAQ-9172

Safety Guidelines

Operate the NI cDAQ-9172 chassis only as described in this user guide.



Note Because some C Series I/O modules may have more stringent certification standards than the NI cDAQ-9172 chassis, the combined system may be limited by individual component restrictions. Refer to the *Using the NI cDAQ-9172* section of this document for more details.



Caution The NI cDAQ-9172 chassis is *not* certified for use in hazardous locations.



Hot Surface This icon denotes that the component may be hot. Touching this component may result in bodily injury.

Safety Guidelines for Hazardous Voltages

If *hazardous voltages* are connected to the module, take the following precautions. A hazardous voltage is a voltage greater than 42.4 V_{pk} or 60 VDC to earth ground.



Caution Ensure that hazardous voltage wiring is performed only by qualified personnel adhering to local electrical standards.



Caution Do *not* mix hazardous voltage circuits and human-accessible circuits on the same module.



Caution Make sure that chassis and circuits connected to the module are properly insulated from human contact.



Caution The NI cDAQ-9172 chassis provides no isolation, but some modules offer isolation. Follow the safety guidelines for each module when using hazardous voltage.

Installing the NI cDAQ-9172

Figure 2 shows the dimensions of the NI cDAQ-9172 chassis.

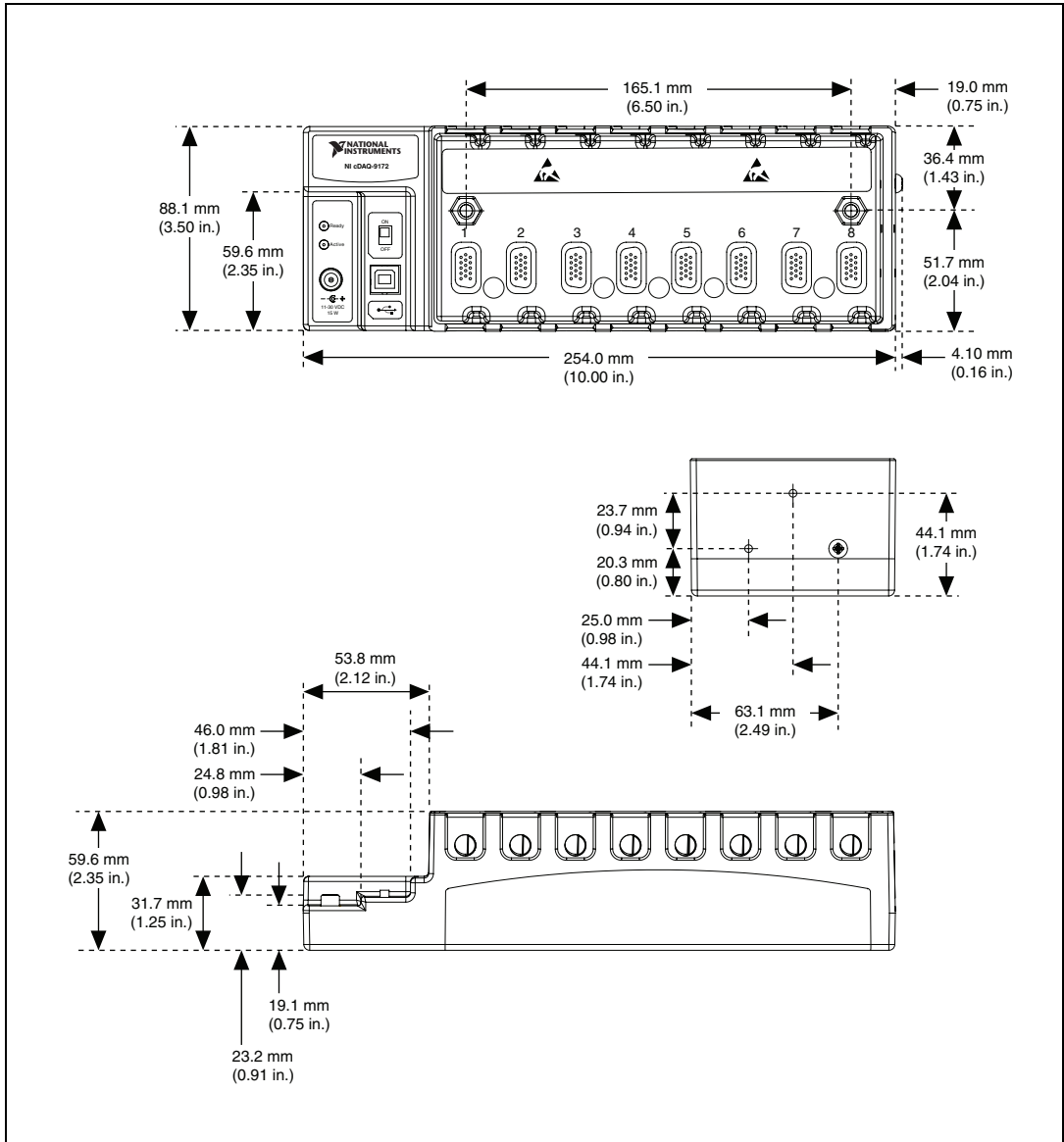


Figure 2. NI cDAQ-9172 with Dimensions in Millimeters (Inches)

Mounting the NI cDAQ-9172

You can mount the NI cDAQ-9172 chassis using a desktop, a 35 mm DIN-Rail, or a panel mount accessory kit. For accessory ordering information, refer to ni.com.



Caution Your installation must meet the following requirements:

- Allows 25.4 mm (1 in.) of clearance above and below the NI cDAQ-9172 chassis for air circulation.
- Allows 50.8 mm (2 in.) of clearance in front of modules for common connector cabling, such as the 10-terminal detachable screw terminal connector.

NI 9901 Desktop Mounting Kit

The NI 9901 Desktop Mounting Kit includes two metal feet you can install on the sides of the NI cDAQ-9172 chassis for desktop use. With this kit, you can tilt the NI cDAQ-9172 chassis for convenient access to the I/O module connectors. When you put on the two metal feet, the two existing screws on the power switch side of the chassis must be removed. After removing the screws, replace them with the two longer screws included in the NI 9901 Desktop Mounting Kit.

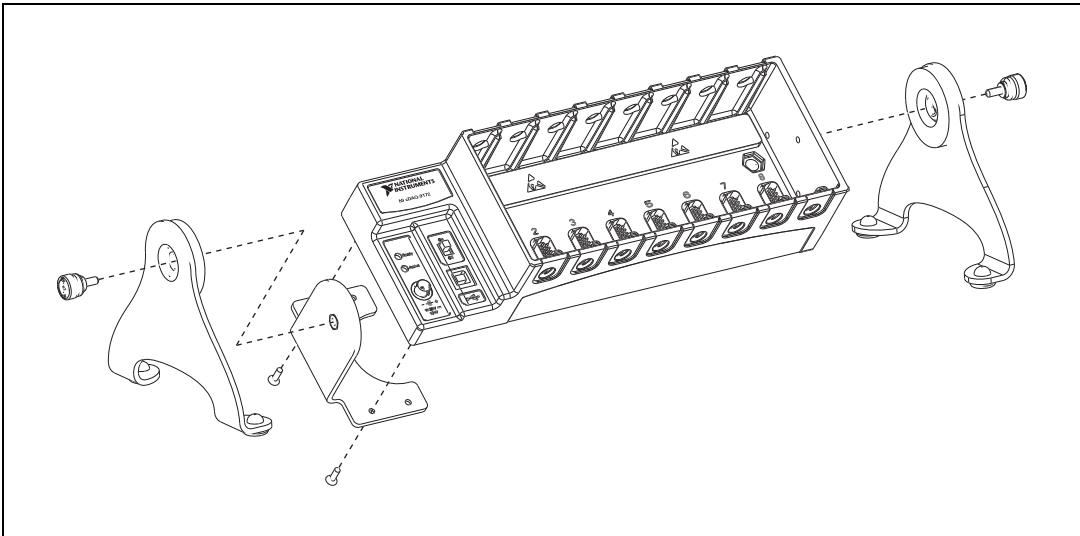


Figure 3. NI 9901 Desktop Mounting Kit

Mounting the NI 9910 DIN-Rail Kit

The NI 9910 DIN-Rail kit contains one clip for mounting the chassis on a standard 35 mm DIN-Rail. To mount the chassis on a DIN-Rail, fasten the DIN-Rail clip to the chassis using a number 2 Phillips screwdriver and two M4 × 16 screws. The screws are included in the DIN-Rail kit. Make sure the DIN-Rail kit is installed as illustrated in Figure 4, with the larger lip of the DIN-RAIL positioned up. When the DIN-Rail kit is properly installed, the NI cDAQ-9172 chassis is centered on the DIN-Rail.



Caution Remove the I/O modules before removing the chassis from the DIN-Rail.

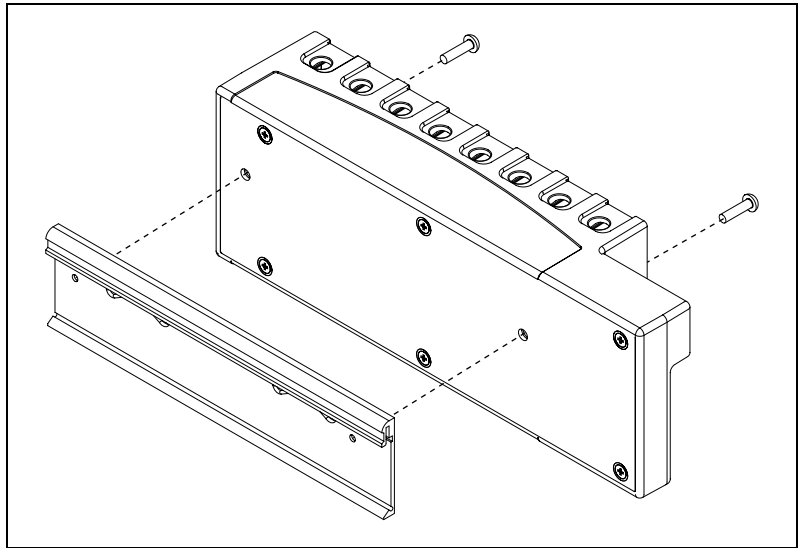


Figure 4. DIN-Rail Dimensions and Installation on the NI cDAQ-9172

Mounting the NI 9905 Panel Mount Kit

To mount the chassis on a panel, align the chassis on the panel mount accessory. Attach the chassis to the panel mount kit using two M4 × 16 screws (as pictured in the following diagram). National Instruments provides these screws with the panel mount kit. You *must* use these screws because they are the correct depth and thread for the panel. These slots in the panel mount kit can be used with M4, M5, No. 8, or No.10 panhead

screws. Figure 5 illustrates the panel dimensions and installation on the NI cDAQ-9172 chassis. Refer to the documentation included with the NI 9905 shipping kit for more detailed dimensions.

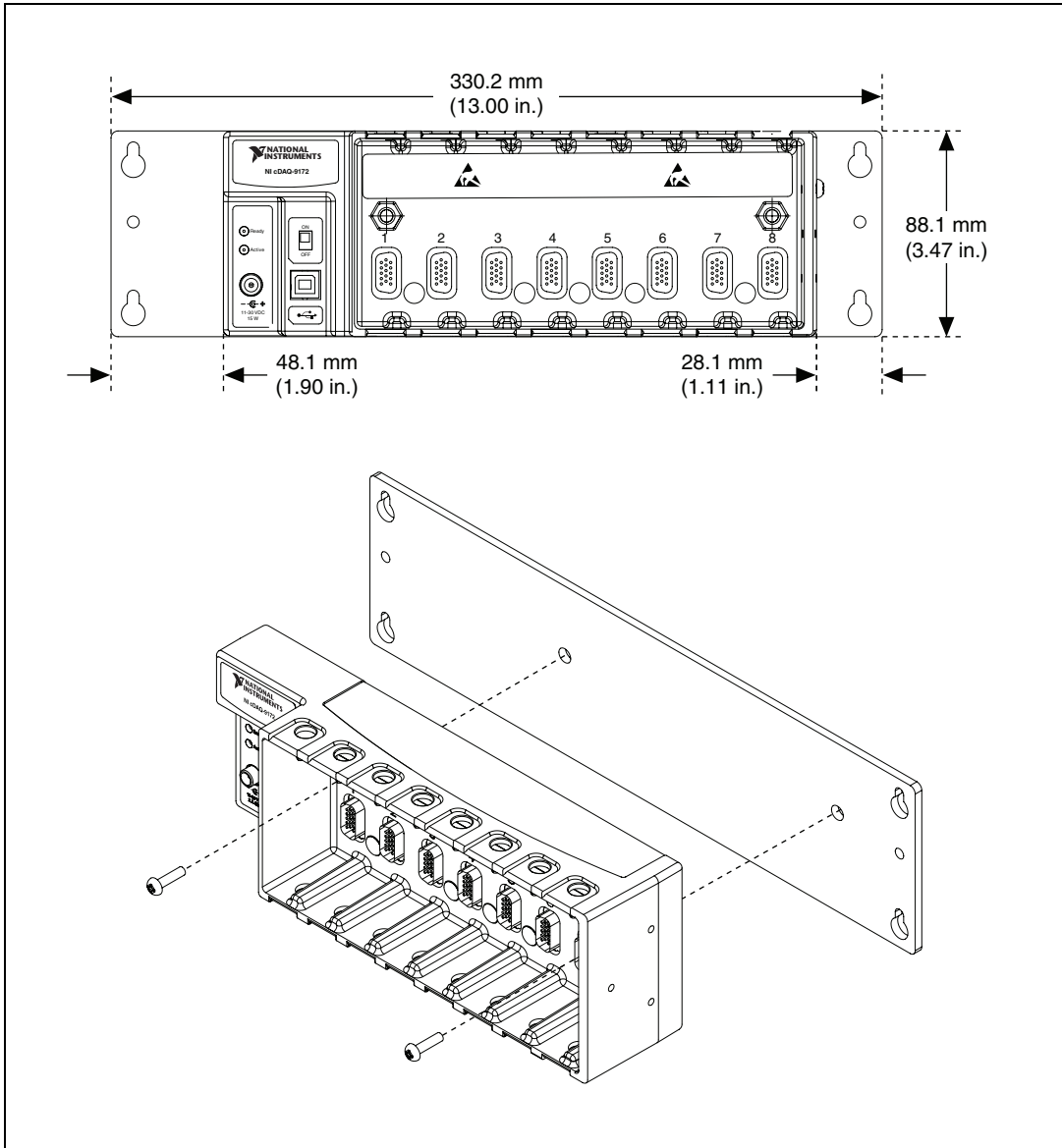


Figure 5. Panel Mount Dimensions and Installation on the NI cDAQ-9172

Setting Up the NI cDAQ-9172

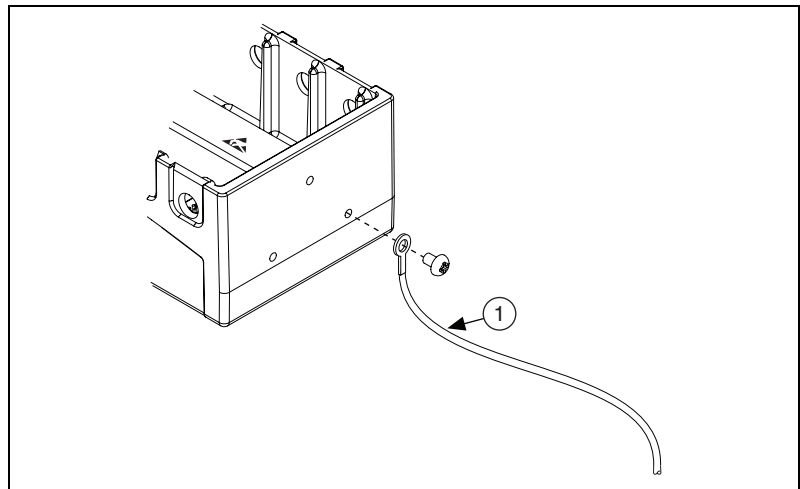
Complete the following steps to prepare the NI cDAQ-9172 chassis for use:

1. Before connecting the hardware, install NI-DAQmx software, VI Logger, and the NI-DAQ Device Documentation Browser. Refer to the *DAQ Getting Started Guide* for more information about software installation.



Note The NI-DAQmx software is included on the CD shipped with your kit and is available for download at ni.com/support. After you install it, the NI-DAQ Device Documentation Browser is available from **Start»Programs»National Instruments»NI-DAQ»Browse Device Documentation**. The *DAQ Getting Started Guide* is available after installation from **Start»Programs»National Instruments»NI-DAQ»DAQ Getting Started Guide**.

2. If you are not using any mounting accessories, attach the provided rubber standoffs to the back of the NI cDAQ-9172 chassis.
3. Make sure the NI cDAQ-9172 chassis power switch is turned off.
4. Attach a ring lug to a 14 AWG (1.6 mm) wire. Connect the ring lug to the ground terminal on the side of the chassis using the ground screw. Attach the other end of the wire to the system safety ground.



1 Attached to System Ground

Figure 6. Ring Lug Attached to Ground Terminal



Note Additionally, attach a wire with a ring lug to all other C Series I/O module cable shields. You *must* connect this wire to the ground terminal of the chassis using the ground screw.

5. Remove the plastic cover from the connector in any empty module slot.
6. Squeeze both C Series I/O module latches, insert the I/O module into the module slot, and press until both latches lock the module in place.
7. Connect the NI cDAQ-9172 chassis with the supplied USB cable to any available USB port on your computer.
8. Connect the power source to the NI cDAQ-9172 chassis. The NI cDAQ-9172 chassis requires an external power supply that meets the specifications in the [Power Requirements](#) section.



Note The NI cDAQ-9172 chassis uses a DC input jack with a locking ring. Use only this connector with the NI cDAQ-9172 chassis. Refer to the [Specifications](#) section for more information about the connector.

9. Secure the power supply and USB cables, as depicted in Figure 7, using the two tie wraps and adhesive tie wrap mounts included in the shipping kit. The tie wraps and adhesive mounts help secure the non-latching USB connection. They can also be used to route the cables to a desirable position.

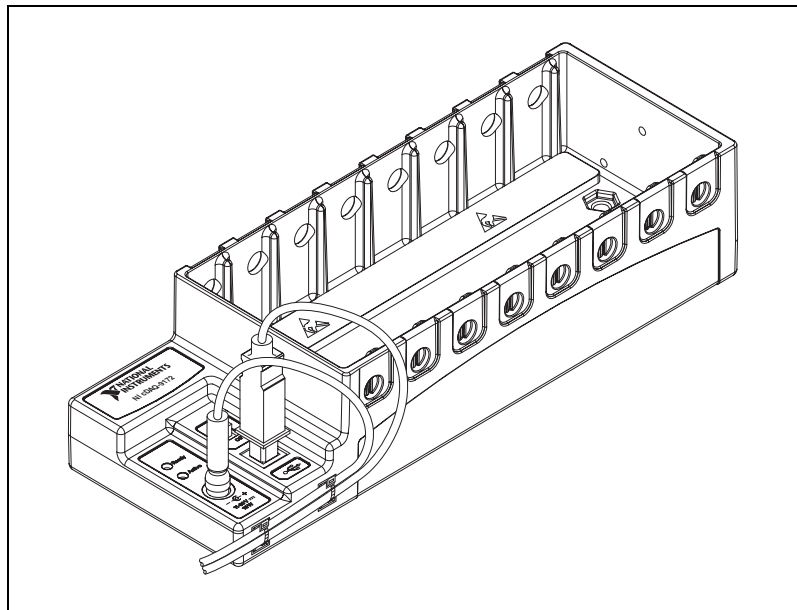


Figure 7. cDAQ Chassis With Secured Cables

10. Power on the NI cDAQ-9172 chassis.
11. Double-click the **Measurement & Automation** icon, shown at left, on the desktop to open MAX.



12. Expand **Devices and Interfaces**, and then expand **NI-DAQmx Devices**.
13. Check that your device appears under **Devices and Interfaces**. If your device does not appear, press <F5> to refresh the view in MAX. If your device is still not recognized, refer to ni.com/support/install for troubleshooting information.
14. Right-click your device and select **Self-Test**.

If you need help during the self-test, select **Help»Help Topics»NI-DAQmx** and click **MAX Help for NI-DAQmx**.

When the self-test finishes, a message indicates successful verification or an error. If an error occurs, refer to ni.com/support/install for troubleshooting information.



Note When in use, the NI cDAQ-9172 chassis may become warm to the touch. This is normal.

Understanding LED Indications

Active LED

The Active LED indicates whether the NI cDAQ-9172 chassis is communicating over the USB bus.

Table 1. Active LED

LED	Definition
Amber	Power is applied, but USB connection is not established
Green	USB traffic present
Off	No USB traffic present

Ready LED

The Ready LED is lit when the NI cDAQ-9172 chassis is ready for use. The color indicates whether the USB connection is Full-Speed or Hi-Speed.

Table 2. Ready LED

LED	Definition
Amber	Hi-Speed (480 Mbit/sec)

Table 2. Ready LED (Continued)

LED	Definition
Green	Full-Speed (12 Mbit/sec)
Off	USB connection is not established

Using the NI cDAQ-9172

The cDAQ system consists of three parts: C Series I/O modules, the cDAQ module interface, and the USB-STC2. These components digitize signals, perform D/A conversions to generate analog output signals, measure and control digital I/O signals, and provide signal conditioning.

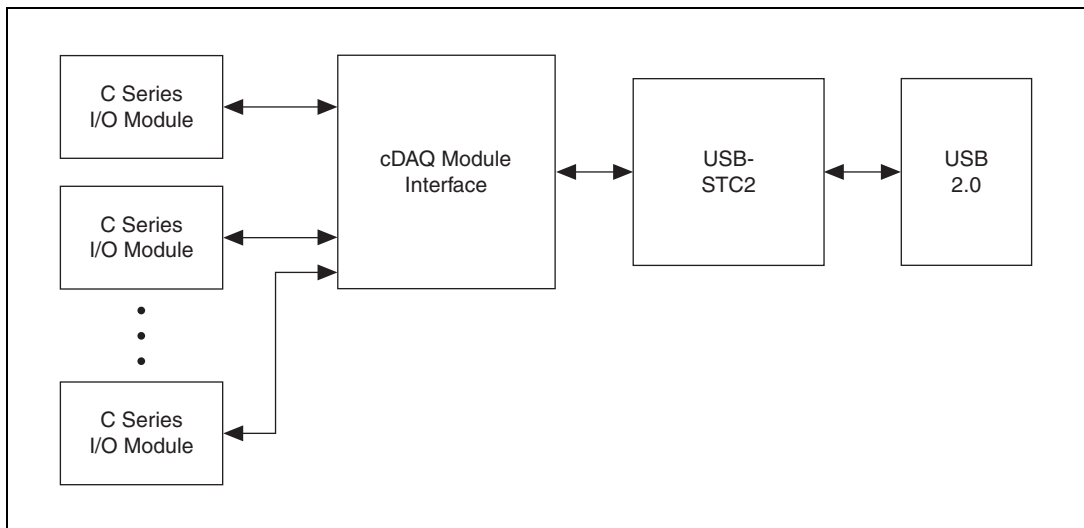


Figure 8. NI cDAQ-9172 Block Diagram

C Series I/O Modules

National Instruments C Series I/O modules provide built-in signal conditioning and screw terminal, spring terminal, BNC, D-SUB, or RJ-50 connectors. A wide variety of I/O types are available, allowing you to customize the cDAQ system to meet your application needs.

C Series I/O modules are hot-swappable and automatically detected by the NI cDAQ-9172 chassis. I/O channels are accessible using the NI-DAQmx driver software.

Because the modules contain built-in signal conditioning for extended voltage ranges or industrial signal types, you can usually make your

wiring connections directly from the C Series I/O modules to your sensors/actuators. In most cases, the C Series I/O modules provide isolation from channel-to-earth ground.

For more information about which C Series I/O modules are compatible with the NI cDAQ-9172 chassis, refer to the KnowledgeBase document, *C Series Modules Supported in the NI cDAQ-9172*. To access this KnowledgeBase, go to ni.com/info and enter the info code `rdcdaq`.

Correlated vs. Static DIO Modules

Digital I/O module capabilities are determined by the type of digital signals that the module is capable of measuring or generating. Static Digital I/O modules are designed for signals that change slowly and are accessed by software-timed reads and writes. Correlated Digital I/O modules are for signals that change rapidly and are updated by either software or hardware-timed reads and writes. Correlated Digital I/O modules can perform the following tasks:

- Used in any slot—software-timed reads and writes.
- Used in slots 1 through 4—Digital Waveform Generation and Acquisition (Correlated Input/Output)
- Used in slots 5 and 6—Counter/Timer
- Used in slots 5 and 6—Access PFI signals

To determine the capability of digital I/O modules supported by the NI cDAQ-9172 chassis, refer to the KnowledgeBase document, *C Series Modules Supported in the NI cDAQ-9172*. To access this KnowledgeBase document, go to ni.com/info and enter the info code `rdcdaq`.

cDAQ Module Interface

The cDAQ Module Interface manages data transfers between the USB-STC2 and the C Series I/O modules. The interface also handles autodetection, signal routing, and synchronization.

USB-STC2

The USB-STC2 features independent High-Speed data streams; flexible AI and AO sample timing; triggering; PFI signals for multi-device synchronization; flexible counter/timers with hardware gating; digital waveform acquisition and generation; and static DIO.

AI and AO Sample Timing

The USB-STC2 contains advanced analog input and analog output timing engines. A wide range of timing and synchronization signals are available

through the PFI lines. Refer to the [Analog Input Timing Signals](#) and [Analog Output Timing Signals](#) sections for more information about the configuration of these signals.

Triggering Modes

The NI cDAQ-9172 supports different trigger modes, such as start trigger, reference trigger, and pause trigger with analog, digital, or software sources. Refer to the [Analog Input Triggering](#) and [Analog Output Triggering](#) sections for more information.

Independent Data Streams

The NI cDAQ-9172 supports four independent high-speed data streams; allowing for up to four simultaneous hardware timed tasks, such as analog input, analog output, buffered counter/timers, and correlated digital input/output.

PFI Signals

The PFI signals, available through correlated digital input and output modules installed in slots 5 and 6, provide access to advanced features such as triggering, synchronization, and counter/timers. Refer to the [PFI](#) section for more information.

The PFI pins have a digital filter circuit at the inputs that is configurable on a per-line basis. The filters allow the rejection of noise caused by noisy environments, bounces on switches, and so on.

Flexible Counter/Timers

The NI cDAQ-9172 includes two general-purpose 32-bit counter/timers that can be used to count edges, measure pulse-widths, measure periods and frequencies, and perform position measurements (encoding). In addition, the counter/timers can generate pulses, pulse trains, and square waves with adjustable frequencies. You can access the counter inputs and outputs using correlated digital I/O modules in slots 5 and/or 6. Refer to the [Counters](#) section for more information.

Analog Input

To perform analog input measurements, insert a supported analog input C Series I/O module into any slot on the cDAQ chassis. The measurement specifications, such as number of channels, channel configuration, sample rate, and gain, are determined by the type of C Series I/O module used. For more information and wiring diagrams, refer to the documentation included with your C Series I/O modules.

The NI cDAQ-9172 has one AI timing engine, which means that only one analog input task may be running at a time on a chassis. However, the analog input task can include channels from multiple analog input modules.

Analog Input Triggering

A trigger is a signal that causes an action, such as starting or stopping the acquisition of data. When you configure a trigger, you must decide how you want to produce the trigger and the action you want the trigger to cause. The NI cDAQ-9172 chassis supports internal software triggering, external digital, and analog triggering.

Three triggers are available: start trigger, reference trigger, and pause trigger. An analog or digital trigger can initiate these three trigger actions. Any C Series correlated digital input module can supply a digital trigger when installed in slots 5 or 6, and some C Series analog modules can supply an analog or digital trigger in any slot. The start, reference, and pause triggers can come from three separate modules if desired. To find your module triggering options, refer to the documentation included with your C Series I/O modules. For more information about using digital modules for triggering, refer to the [Digital I/O](#) section.

AI Start Trigger Signal

Use the AI Start Trigger (ai/StartTrigger) signal to begin a measurement acquisition. A measurement acquisition consists of one or more samples. If you do not use triggers, begin a measurement with a software command. Once the acquisition begins, configure the acquisition to stop in one of the following ways:

- When a certain number of points is sampled (in finite mode)
- After a hardware reference trigger (in finite mode)
- With a software command (in continuous mode)

An acquisition that uses a start trigger (but not a reference trigger) is sometimes referred to as a posttriggered acquisition. That is, samples are measured only after the trigger.

When you are using an internal sample clock, you can specify a delay from the start trigger to the first sample.

Using a Digital Source

To use ai/StartTrigger with a digital source, specify a source and an edge. Use the following signals as the source:

- Any PFI terminal
- Counter n Internal Output

The source also can be one of several other internal signals on your NI cDAQ-9172 chassis. Refer to *Device Routing in MAX* in the *NI-DAQmx Help* or the *LabVIEW Help* in version 8.0 or later for more information.

The *NI-DAQmx Help* is available after installation from **Start»Programs»National Instruments»NI-DAQ»NI-DAQmx Help**. To view the *LabVIEW Help*, in version 8.0 or later, select **Help»Search the LabVIEW Help** in LabVIEW. Alternately, to download the *LabVIEW Help*, go to ni.com/manuals.

You also can specify whether the measurement acquisition begins on the rising edge or falling edge of ai/StartTrigger.

Using an Analog Source

Some C Series I/O modules can generate a trigger based on an analog signal. In NI-DAQmx, this is called the Analog Comparison Event. When you use an analog trigger source for ai/StartTrigger, the acquisition begins on the first rising or falling edge of the Analog Comparison Event signal, depending on the trigger properties.

Routing AI Start Trigger to an Output Terminal

You can route ai/StartTrigger to any output PFI terminal. The output is an active high pulse.

AI Reference Trigger Signal

Use a reference trigger (ai/ReferenceTrigger) signal to stop a measurement acquisition. To use a reference trigger, specify a buffer of finite size and a number of pretrigger samples (samples that occur before the reference trigger). The number of posttrigger samples (samples that occur after the reference trigger) desired is the buffer size minus the number of pretrigger samples.

When the acquisition begins, the NI cDAQ-9172 chassis begins to fill the buffer. After the specified number of pretrigger samples are captured, the NI cDAQ-9172 begins to look for the reference trigger condition. If the reference trigger condition occurs before the NI cDAQ-9172 captures the specified number of pretrigger samples, the NI cDAQ-9172 ignores the condition.

If the buffer becomes full, the NI cDAQ-9172 continuously discards the oldest samples in the buffer to make space for the next sample. This data can be accessed (with some limitations) before the NI cDAQ-9172 discards it. Refer to the KnowledgeBase document, *Can a Pretriggered Acquisition*

be Continuous?, for more information. To access this KnowledgeBase, go to ni.com/info and enter the info code `rdcanq`.

When the reference trigger occurs, the NI cDAQ-9172 continues to write samples to the buffer until the buffer contains the number of posttrigger samples desired. Figure 9 shows the final buffer.

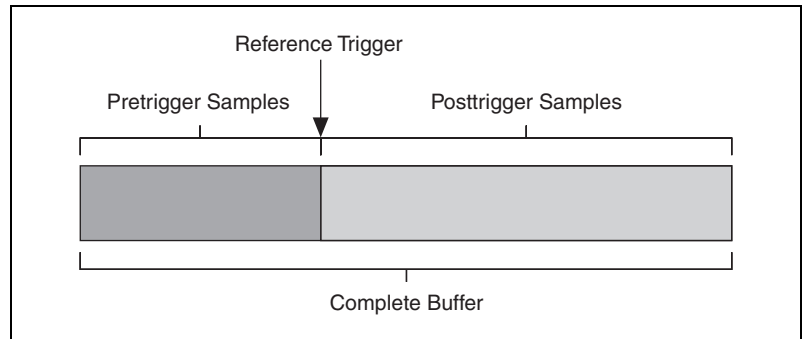


Figure 9. Reference Trigger Final Buffer

Using a Digital Source

To use `ai/ReferenceTrigger` with a digital source, specify a source and an edge. Either PFI or one of several internal signals on the NI cDAQ-9172 chassis can provide the source. Refer to *Device Routing in MAX* in the *NI-DAQmx Help* or the *LabVIEW Help* in version 8.0 or later for more information.

The *NI-DAQmx Help* is available after installation from **Start»Programs»National Instruments»NI-DAQ»NI-DAQmx Help**. To view the *LabVIEW Help*, in version 8.0 or later, select **Help»Search the LabVIEW Help** in LabVIEW. Alternately, to download the *LabVIEW Help*, go to ni.com/manuals.

You also can specify whether the measurement acquisition stops on the rising edge or falling edge of `ai/ReferenceTrigger`.

Using an Analog Source

Some C Series I/O modules can generate a trigger based on an analog signal. In NI-DAQmx, this is called the Analog Comparison Event.

When you use an analog trigger source, the acquisition stops on the first rising or falling edge of the Analog Comparison Event signal, depending on the trigger properties.

Routing AI Reference Trigger Signal to an Output Terminal

You can route ai/ReferenceTrigger to any output PFI terminal.

AI Pause Trigger Signal

The Pause Trigger signal can be generated from internal or external sources. Any time the signal deasserts, you can use the Pause Trigger signal to pause the acquisition.

You can use the AI Pause Trigger (ai/PauseTrigger) signal to pause and resume a measurement acquisition. The internal sample clock pauses while the external trigger signal is active and resumes when the signal is inactive. You can program the active level of the pause trigger to be high or low.

Using a Digital Source

To use ai/PauseTrigger, specify a source and a polarity. The source can be either from PFI or one of several other internal signals on your NI cDAQ-9172 chassis. Refer to *Device Routing in MAX* in the *NI-DAQmx Help* or the *LabVIEW Help* in version 8.0 or later for more information.

The *NI-DAQmx Help* is available after installation from **Start»Programs»National Instruments»NI-DAQ»NI-DAQmx Help**. To view the *LabVIEW Help*, in version 8.0 or later, select **Help»Search the LabVIEW Help in LabVIEW**. Alternately, to download the *LabVIEW Help*, go to ni.com/manuals.

Using an Analog Source

Some C Series I/O modules can generate a trigger based on an analog signal. In NI-DAQmx, this is called the Analog Comparison Event.

When you use an analog trigger source, the internal sample clock pauses when the Analog Comparison Event signal is low and resumes when the signal goes high (or vice versa).



Note Pause triggers are only sensitive to the level of the source, not the edge.

Analog Input Timing Signals

AI Sample Clock

A sample consists of one reading from each channel in the AI task. ai/SampleClock signals the start of a sample of all analog input channels in the task. ai/SampleClock can be generated from external or internal sources.

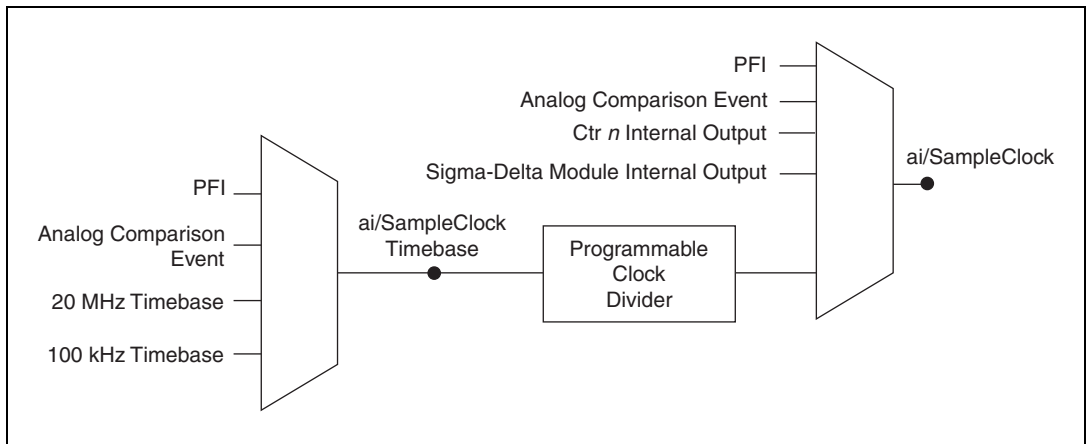


Figure 10. Sample Clock Timing Options

Routing AI Sample Clock to an Output Terminal

You can route ai/SampleClock to any output PFI terminal.

AI Sample Clock Timebase

The AI Sample Clock Timebase (ai/SampleClockTimebase) signal is divided down to provide a source for ai/SampleClock. ai/SampleClock Timebase can be generated from external or internal sources. ai/SampleClockTimebase is not available as an output from the chassis.

Convert Behavior For Analog Input Modules

Scanned

Scanned C Series analog input modules contain a single A/D converter and a multiplexer to select between multiple input channels. When the cDAQ Module Interface receives a Sample Clock pulse, it begins generating a Convert Clock for each scanned module in the current task. Each Convert Clock signals the acquisition of a single channel from that module. The Convert Clock rate depends on the module being used, the number of channels used on that module, and the system Sample Clock rate.

The driver chooses the fastest conversion rate possible based on the speed of the A/D converter for each module and adds 10 μ s of padding between each channel to allow for adequate settling time. This scheme enables the channels to approximate simultaneous sampling. If the AI Sample Clock rate is too fast to allow for 10 μ s of padding, NI-DAQmx selects a conversion rate that spaces the AI Convert Clock pulses evenly throughout the sample. NI-DAQmx uses the same amount of padding for all the modules in the task. To explicitly specify the conversion rate, use the

ActiveDevs and **AI Convert Clock Rate** properties using the **DAQmx Timing** property node or functions.

Simultaneous Sample-and-Hold

Simultaneous sample-and-hold (SSH) C Series analog input modules contain multiple A/D converters or circuitry that allows all the input channels to be sampled at the same time. These modules sample their inputs on every Sample Clock pulse.

Sigma-Delta

Sigma-delta C Series analog input modules function much like SSH modules, but use A/D converters that require a high-frequency oversample clock to produce accurate, synchronized data. Sigma-delta modules in the cDAQ chassis automatically share a single oversample clock to synchronize data from all sigma-delta modules.

This clock is used as the AI Sample Clock Timebase. While most modules supply a common oversample clock frequency (12.8 MHz), some modules, like the NI 9234, supply a different frequency. When sigma-delta modules with different oversample clock frequencies are used in an analog input task, the AI Sample Clock Timebase can use any of the available frequencies; by default, the fastest available is used. The sampling rate of all modules in the system is an integer divisor of the frequency of the AI Sample Clock Timebase.

When one or more sigma-delta modules are in an analog input task, the sigma-delta modules also provide the signal used as the AI Sample Clock. This signal is used to cause A/D conversion for other modules in the system, just as the AI Sample Clock does when a sigma-delta module is not being used.

When sigma-delta modules are in an AI task, the chassis automatically issues a synchronization pulse to each sigma-delta modules that resets their ADCs at the same time. Both the synchronization pulse and the oversample clock can be routed from or to any PFI line to allow synchronization between multiple chassis. Because of the filtering used in sigma-delta A/D converters, these modules usually exhibit a fixed input delay relative to non-sigma-delta modules in the system. This input delay is specified in the C Series I/O module documentation.

Slow Sample Rate Modules

Some C Series analog input modules are specifically designed for measuring signals that vary slowly, such as temperature. Because of their slow rate, it is not appropriate for these modules to constrain the AI Sample Clock to operate at or slower than their maximum rate. When using such a

module in the cDAQ chassis, the maximum Sample Clock rate can run faster than the maximum rate for the module. When operating at a rate faster than these slow rate modules can support, the slow rate module returns the same point repeatedly, until a new conversion completes. The first point is acquired when the task is committed. The second point is acquired after the start trigger.

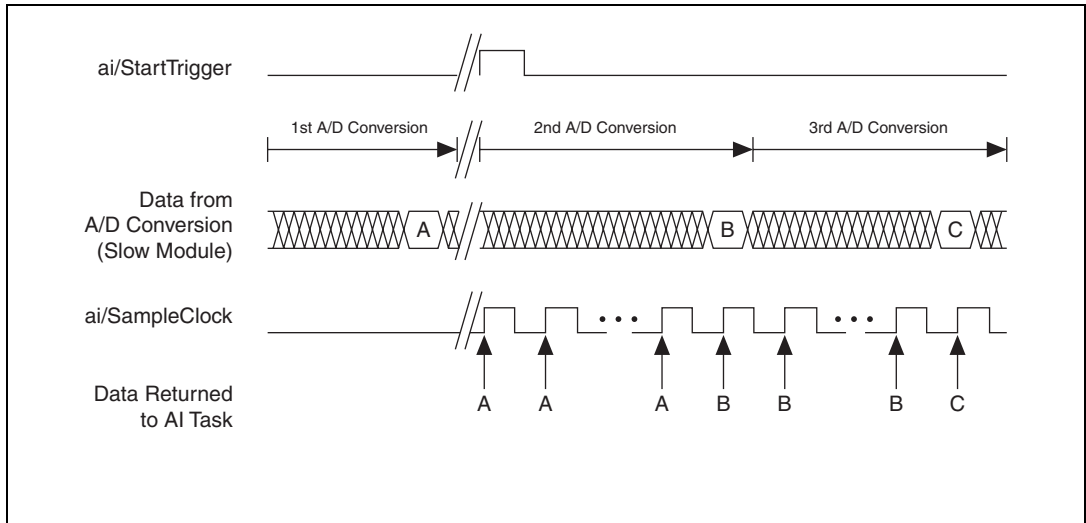


Figure 11. Sample Clock Timing Example

For example, if running an AI task at 1 kHz using a module with a maximum rate of 10 Hz, the slow module returns 100 samples of the first point, followed by 100 samples of the second point, etc. Other modules in the task will return 1,000 new data points per second, which is normal. When performing a single-point acquisition, no points are repeated.

Refer to the KnowledgeBase document, *C Series Modules Supported in the NI cDAQ-9172*, for more information. To access this KnowledgeBase, go to ni.com/info and enter the info code `rdcdaq`.

Getting Started with AI Applications in Software

You can use the NI cDAQ-9172 chassis in the following analog input applications:

- Single-Point
- Finite
- Continuous

For more information about programming analog input applications and triggers in software, Refer to the *NI-DAQmx Help* or the *LabVIEW Help* in version 8.0 or later for more information.

The *NI-DAQmx Help* is available after installation from **Start»Programs»National Instruments»NI-DAQ»NI-DAQmx Help**. To view the *LabVIEW Help*, in version 8.0 or later, select **Help»Search the LabVIEW Help** in LabVIEW. Alternately, to download the *LabVIEW Help*, go to ni.com/manuals.

Analog Output

To generate analog output, insert an analog output C Series I/O module in any slot on the NI cDAQ-9172 chassis. The generation specifications, such as the number of channels, channel configuration, update rate, and output range, are determined by the type of C Series I/O module used. For more information, refer to the documentation included with your C Series I/O modules.

You can run one hardware-timed (waveform) analog output task at a time on the NI cDAQ-9172 chassis, with up to 16 waveform channels. At the same time, you can also run one or more software-timed (single-point or immediate) tasks.

For each analog output module, you can either:

- Assign all of the channels on the module to the hardware-timed task.
- Assign all of the channels on the module to one or more software-timed tasks.

On a single AO module, you cannot assign some channels to a hardware-timed task and other channels (on the same module) to a software-timed task.

Analog Output Data Generation Methods

When performing an analog output operation, you either can perform software-timed or hardware-timed generations. Hardware-timed generations must be buffered.

Software-Timed Generations

With a software-timed generation, software controls the rate at which data is generated. Software sends a separate command to the hardware to initiate each DAC conversion. In NI-DAQmx, software-timed generations are referred to as on-demand timing. Software-timed generations are also

referred to as immediate or static operations. They are typically used for writing out a single value, such as a constant DC voltage.

The following considerations apply to software-timed generations:

- If any AO channel on a module is used in a hardware-timed (waveform) task, no channels on that module can be used in a software-timed task.
- You can configure software-timed generation to simultaneously update.
- Only one simultaneous update task can run at a time.
- Simultaneous update is not restricted to 16 channels.
- A hardware-timed AO task and a simultaneous update AO task cannot run at the same time.

Hardware-Timed Generations

With a hardware-timed generation, a digital hardware signal controls the rate of the generation. This signal can be generated internally on the chassis or provided externally.

Hardware-timed generations have several advantages over software-timed acquisitions:

- The time between samples can be much shorter.
- The timing between samples is deterministic.
- Hardware-timed acquisitions can use hardware triggering.

Hardware-timed AO operations on the NI cDAQ-9172 chassis must be buffered.

Buffered Analog Output

A buffer is a temporary storage in computer memory for generated samples. In a buffered generation, data is moved from a host buffer to the NI cDAQ-9172 onboard FIFO before it is written to the C Series I/O modules.

One property of buffered I/O operations is sample mode. The sample mode can be either finite or continuous.

Finite sample mode generation refers to the generation of a specific, predetermined number of data samples. Once the specified number of samples is written out, the generation stops.

Continuous generation refers to the generation of an unspecified number of samples. Instead of generating a set number of data samples and stopping,

a continuous generation continues until you stop the operation. There are three different continuous generation modes that control how the data is written. These modes are regeneration, onboard regeneration, and non-regeneration.

In regeneration mode, you define a buffer in host memory. The data from the buffer is continually downloaded to the FIFO to be written out. New data can be written to the host buffer at any time without disrupting the output.

With onboard regeneration, the entire buffer is downloaded to the FIFO and regenerated from there. After the data is downloaded, new data cannot be written to the FIFO. To use onboard regeneration, the entire buffer must fit within the FIFO size. The advantage of using onboard regeneration is that it does not require communication with the main host memory once the operation is started, which prevents problems that may occur due to excessive bus traffic or operating system latency.

With non-regeneration, old data is not repeated. New data must continually be written to the buffer. If the program does not write new data to the buffer at a fast enough rate to keep up with the generation, the buffer underflows and causes an error.

Analog Output Triggering

Analog output supports two different triggering actions:

- Start trigger
- Pause trigger

An analog or digital trigger can initiate these actions. Any C Series correlated digital module in slots 5 and/or 6 can supply a digital trigger, and some C Series analog modules can supply an analog trigger. For more information refer to the [AO Start Trigger Signal](#) section of this document or to the documentation included with your C Series I/O module(s).

Analog Output Timing Signals

The NI cDAQ-9172 chassis features the following AO (waveform generation) timing signals:

- AO Sample Clock
- AO Start Trigger
- AO Pause Trigger

AO Sample Clock

The AO sample clock signals when all the analog output channels in the task update. `ao/SampleClock` can be generated from external or internal sources.

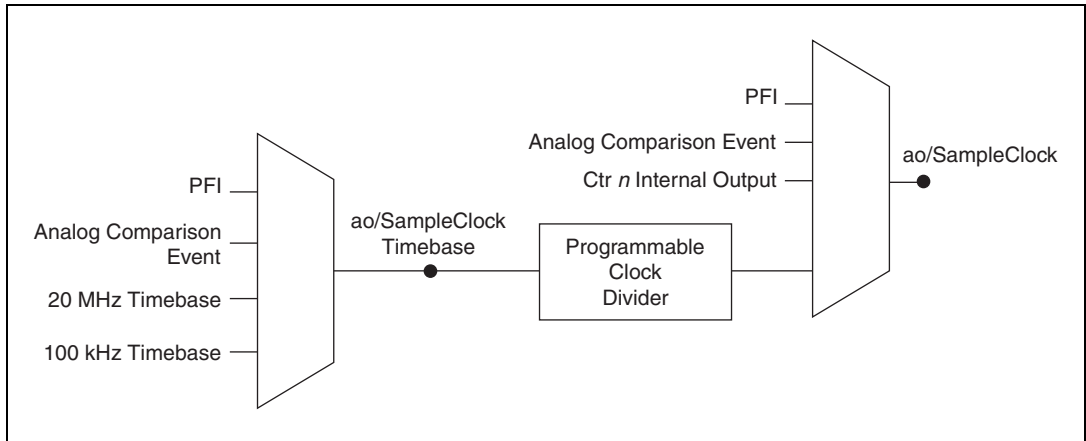


Figure 12. Analog Output Timing Options

Routing AO Sample Clock to an Output Terminal

You can route `ao/SampleClock` to any output PFI terminal.

AO Sample Clock Timebase

The AO Sample Clock Timebase (`ao/SampleClockTimebase`) signal is divided down to provide a source for `ao/SampleClock`. `ao/SampleClockTimebase` can be generated from external or internal sources, and is not available as an output from the chassis.

AO Start Trigger Signal

Use the AO Start Trigger (`ao/StartTrigger`) signal to initiate a waveform generation. If you do not use triggers, you can begin a generation with a software command. If you are using an internal sample clock, you can specify a delay from the start trigger to the first sample. For more information, refer to the *NI-DAQmx Help*. The *NI-DAQmx Help* is available after installation from **Start»Programs»National Instruments»NI-DAQ»NI-DAQmx Help**.

Using a Digital Source

To use `ao/StartTrigger`, specify a source and a rising or falling edge. The source can be one of the following signals:

- A software pulse
- Any PFI terminal
- `ai/ReferenceTrigger`
- `ai/StartTrigger`

The source also can be one of several internal signals on the NI cDAQ-9172 chassis. Refer to *Device Routing in MAX* in the *NI-DAQmx Help* or the *LabVIEW Help* in version 8.0 or later for more information.

The *NI-DAQmx Help* is available after installation from **Start» Programs» National Instruments» NI-DAQ» NI-DAQmx Help**. To view the *LabVIEW Help*, in version 8.0 or later, select **Help» Search the LabVIEW Help** in LabVIEW. Alternately, to download the *LabVIEW Help*, go to ni.com/manuals.

You also can specify whether the waveform generation begins on the rising edge or falling edge of `ao/StartTrigger`.

Using an Analog Source

Some C Series I/O modules can generate a trigger based on an analog signal. In NI-DAQmx, this is called the Analog Comparison Event, depending on the trigger properties.

When you use an analog trigger source, the waveform generation begins on the first rising or falling edge of the Analog Comparison Event signal, depending on the trigger properties. The analog trigger circuit must be configured by a simultaneously running analog input task.

Routing AO Start Trigger Signal to an Output Terminal

You can route `ao/StartTrigger` to any output PFI terminal. The output is an active high pulse.

AO Pause Trigger Signal

Use the AO Pause trigger signal (`ao/PauseTrigger`) to mask off samples in a DAQ sequence. When `ao/PauseTrigger` is active, no samples occur, but `ao/PauseTrigger` does not stop a sample that is in progress. The pause does not take effect until the beginning of the next sample.

When you generate analog output signals, the generation pauses as soon as the pause trigger is asserted. If the source of the sample clock is the onboard clock, the generation resumes as soon as the pause trigger is deasserted, as shown in Figure 13.

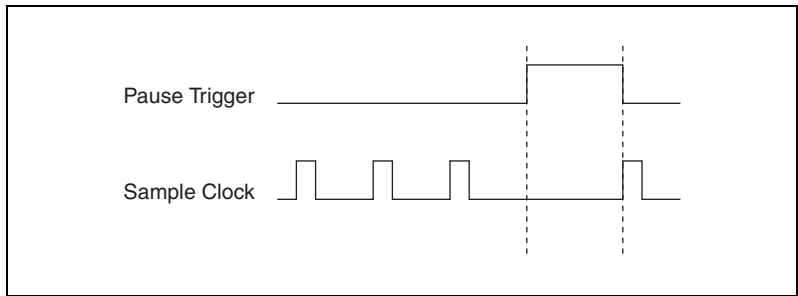


Figure 13. ao/PauseTrigger with the Onboard Clock Source

If you are using any signal other than the onboard clock as the source of the sample clock, the generation resumes as soon as the pause trigger is deasserted and another edge of the sample clock is received, as shown in Figure 14.

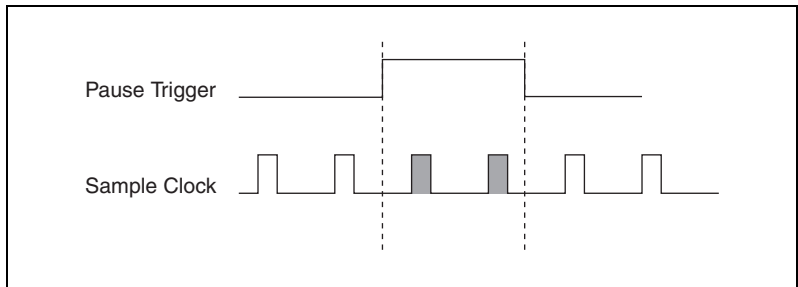


Figure 14. ao/PauseTrigger with Other Signal Source

Using a Digital Source

To use ao/PauseTrigger, specify a source and a polarity. The source can be a PFI signal or one of several other internal signals on the NI cDAQ-9172 chassis.

You also can specify whether the samples are paused when ao/PauseTrigger is at a logic high or low level. Refer to *Device Routing in MAX* in the *NI-DAQmx Help* or the *LabVIEW Help* in version 8.0 or later for more information.

The *NI-DAQmx Help* is available after installation from **Start»Programs»National Instruments»NI-DAQ»NI-DAQmx Help**. To view the *LabVIEW Help*, in version 8.0 or later, select **Help»Search the LabVIEW Help** in LabVIEW. Alternately, to download the *LabVIEW Help*, go to ni.com/manuals.

Using an Analog Source

Some C Series I/O modules can generate a trigger based on an analog signal. In NI-DAQmx, this is called the Analog Comparison Event, depending on the trigger properties.

When you use an analog trigger source, the samples are paused when the Analog Comparison Event signal is at a high or low level, depending on the trigger properties. The analog trigger circuit must be configured by a simultaneously running analog input task.

Minimizing Glitches on the Output Signal

When you use a DAC to generate a waveform, you may observe glitches on the output signal. These glitches are normal; when a DAC switches from one voltage to another, it produces glitches due to released charges. The largest glitches occur when the most significant bit of the DAC code changes. You can build a lowpass deglitching filter to remove some of these glitches, depending on the frequency and nature of the output signal. Go to ni.com/support for more information about minimizing glitches.

Getting Started with AO Applications in Software

You can use the NI cDAQ-9172 chassis in the following analog output applications:

- Single-Point (On-Demand) Generation
- Finite Generation
- Continuous Generation
- Waveform Generation

For more information about programming analog output applications and triggers in software, refer the *LabVIEW Help*, in version 8.0 or later, or to the *NI-DAQmx Help*.

The *NI-DAQmx Help* is available after installation from **Start»Programs»National Instruments»NI-DAQ»NI-DAQmx Help**. To view the *LabVIEW Help*, in version 8.0 or later, select **Help»Search the LabVIEW Help** in LabVIEW. Alternately, to download the *LabVIEW Help*, go to ni.com/manuals.

Digital I/O

To use digital I/O, insert a digital C Series I/O module into any slot on the NI cDAQ-9172 chassis. The I/O specifications, such as number of lines, logic levels, update rate, and line direction, are determined by the type of C Series I/O module used. For more information, refer to the documentation included with your C Series I/O modules.

Correlated vs. Static DIO Modules

Digital I/O module capabilities are determined by the type of digital signals that the module is capable of measuring or generating. Static Digital I/O modules are designed for signals that change slowly and are accessed by software-timed reads and writes. Correlated Digital I/O modules are for signals that change rapidly and are updated by either software or hardware-timed reads and writes. Correlated Digital I/O modules can perform the following tasks:

- Used in any slot—software-timed reads and writes.
- Used in slots 1 through 4—Digital Waveform Generation and Acquisition (Correlated Input/Output)
- Used in slots 5 and 6—Counter/Timer
- Used in slots 5 and 6—Access PFI signals

To determine the capability of digital I/O modules supported by the NI cDAQ-9172 chassis, refer to the KnowledgeBase document, *C Series Modules Supported in the NI cDAQ-9172*. To access this KnowledgeBase document, go to ni.com/info and enter the info code `rdcdaq`.

Available features, such as trigger and counter/timer, are determined by the slot containing the digital C Series I/O module and the capabilities of the module.

Table 3. Digital Module Slot Features

Slots	Static DIO	PFI ¹	Counter/Timer ¹	Digital Waveform/Change Detection ¹
1	Yes	—	—	Yes
2	Yes	—	—	Yes
3	Yes	—	—	Yes
4	Yes	—	—	Yes

Table 3. Digital Module Slot Features (Continued)

Slots	Static DIO	PFI ¹	Counter/Timer ¹	Digital Waveform/Change Detection ¹
5	Yes	Yes	Yes	—
6	Yes	Yes	Yes	—
7	Yes	—	—	—
8	Yes	—	—	—

¹ Requires the use of a correlated digital I/O module.

Static DIO

Each of the DIO lines can be used as a static DI or DO line. You can use static DIO lines to monitor or control digital signals on some C Series I/O modules. Each DIO line can be individually configured as a digital input (DI) or digital output (DO), depending on the C Series I/O module being used.

All samples of static DI lines and updates of static DO lines are software-timed.

Digital Waveform Acquisition (Correlated Input)

You can acquire digital waveforms using correlated digital modules in slots 1 through 4. The DI waveform acquisition FIFO stores the digital samples. The NI cDAQ-9172 chassis samples the DIO lines on each rising or falling edge of the di/SampleClock signal.

DI Sample Clock Signal

Use the DI Sample Clock (di/SampleClock) signal to sample digital I/O on slots 1 through 4, using correlated digital modules, and store the result in the DI waveform acquisition FIFO. The NI cDAQ-9172 chassis does not have an independent DI Sample Clock circuit. Therefore, you must route an external signal or one of many internal signals from another subsystem to function as the DI Sample Clock. For example, you can correlate digital and analog samples in time by setting the AI Sample Clock or AO Sample Clock as the source of the DI Sample Clock. To sample a digital signal independent of an AI, AO, or DO operation, you can configure a counter to generate the desired DI Sample Clock or use an external signal as the source of the DI Sample Clock.

If the NI cDAQ-9172 chassis receives a di/SampleClock signal when the FIFO is full, it reports an overflow error to the host software.

Using an Internal Source

To use di/SampleClock with an internal source, specify the signal source and the polarity of the signal. Use the following signals as the source:

- AI Sample Clock
- AI Convert Clock
- AO Sample Clock
- Counter n Internal Output
- Frequency Output
- DI Change Detection Output

Several other internal signals can be routed to di/SampleClock. Refer to *Device Routing in MAX* in the *NI-DAQmx Help* or the *LabVIEW Help* in version 8.0 or later for more information.

The *NI-DAQmx Help* is available after installation from **Start»Programs»National Instruments»NI-DAQ»NI-DAQmx Help**. To view the *LabVIEW Help*, in version 8.0 or later, select **Help»Search the LabVIEW Help** in LabVIEW. Alternately, to download the *LabVIEW Help*, go to ni.com/manuals.

Using an External Source

You can route the following signals as di/SampleClock:

- Any PFI terminal
- Analog Comparison Event (an analog trigger)

You can sample data on the rising or falling edge of di/SampleClock.

Routing DI Sample Clock to an Output Terminal

You can route di/SampleClock to any output PFI terminal. The PFI circuitry inverts the polarity of di/SampleClock before driving the PFI terminal.

Digital Waveform Generation (Correlated Output)

With a hardware-timed generation, a digital hardware signal controls the rate of the generation. This signal can be generated internally on the chassis or provided externally.

Hardware-timed generations have several advantages over software-timed acquisitions:

- The time between samples can be much shorter.
- The timing between samples can be deterministic.

Hardware-timed operations must be buffered.

Buffered Digital Waveform Generation

A buffer is a temporary storage in computer memory for generated samples. In a buffered generation, data is moved from a host buffer to the NI cDAQ-9172 onboard FIFO before it is written to the C Series I/O modules. Buffered generations typically allow for much faster transfer rates than nonbuffered generations because data is moved in large blocks, rather than one point at a time. The DO sample clock causes all lines in the task to update at the same time.

One property of buffered I/O operations is the sample mode. The sample mode can be either finite or continuous.

Finite sample mode generation refers to the generation of a specific, predetermined number of data samples. Once the specified number of samples has been written out, the generation stops.

Continuous generation refers to the generation of an unspecified number of samples. Instead of generating a set number of data samples and stopping, a continuous generation continues until you stop the operation. There are several different methods of continuous generation that control what data is written. These methods are regeneration, onboard regeneration, and non-regeneration modes.

In regeneration mode, you define a buffer in host memory. The data from the buffer is continually downloaded to the FIFO to be written out. New data can be written to the host buffer at any time without disrupting the output.

With onboard regeneration, the entire buffer is downloaded to the FIFO and regenerated from there. After the data is downloaded, new data cannot be written to the FIFO. To use onboard regeneration, the entire buffer must fit within the FIFO size. The advantage of using on board regeneration is that it does not require communication with the main host memory once the operation is started, thereby preventing any problems that may occur due to excessive bus traffic or operating system latency.

With non-regeneration, old data is not repeated. New data must be continually written to the buffer. If the program does not write new data to the buffer at a fast enough rate to keep up with the generation, the buffer underflows and causes an error.

Change Detection Event

The Change Detection Event is the signal generated when a change on the rising or falling edge lines is detected by the change detection task.

Routing Change Detection Event to an Output Terminal

You can route `ChangeDetectionEvent` to any output PFI terminal.

Change Detection Acquisition

You can configure lines on correlated digital modules in slots 1 through 4 to detect rising or falling edges. When one or more of these lines sees the edge specified for that line, the NI cDAQ-9172 chassis samples all the lines in the task. The rising and falling edge lines do not necessarily have to be in the task.

Change detection acquisitions can be buffered or nonbuffered.

Nonbuffered Change Detection Acquisition

In nonbuffered acquisitions, correlated digital input modules in any slot may be in the task, but the rising/falling edge detection lines must be in slots 1 through 4.

Buffered Change Detection Acquisition

A buffer is a temporary storage in computer memory for acquired samples. In a buffered acquisition, data is stored in the NI cDAQ-9172 onboard FIFO then transferred to a PC buffer. Buffered acquisitions typically allow for much faster transfer rates than nonbuffered acquisitions because data accumulates and is transferred in blocks, rather than one sample at a time. With buffered acquisitions, all modules in the task must be in slots 1 through 4.

Digital Input/Output Configuration for NI 9401

When you change the configuration of lines on a NI 9401 digital I/O module between input and output, NI-DAQmx temporarily reserves all of the lines on the module for communication to send the module a line configuration command. If another task or route is actively using the module, to avoid interfering with the other task, NI-DAQmx generates an error instead of sending the line configuration command. During the line configuration command, the output lines are maintained without glitching.

PFI

You can configure channels of a correlated digital module in slots 5 and 6 as Programmable Function Interface (PFI) terminals.

You can configure each PFI individually as the following:

- Static digital input
- Static digital output
- Timing input signal for AI, AO, DI, DO, or counter/timer functions
- Timing output signal from AI, AO, DI, DO, or counter/timer functions

Each PFI input also has a programmable digital filter circuit that is configurable on a per-line basis. The filters allow the rejection of noise caused by noisy environments, bounces on switches, and so on. Refer to the *NI-DAQmx Help* for more information. The *NI-DAQmx Help* is available after installation from **Start»Programs»National Instruments»NI-DAQ»NI-DAQmx Help**.

Counters

The NI cDAQ-9172 chassis has two general-purpose 32-bit counter/timers and one frequency generator, as shown in Figure 15. The general-purpose counter/timers can be used for many measurement and pulse generation applications.

Some counter/timer signals may be routed to PFI signals. To access PFI signals, you must use a correlated digital C Series I/O module in slot 5 or 6.



Note For more information about C Series signal connections for counters, refer to the *NI-DAQmx Help*. The *NI-DAQmx Help* is available after installation from **Start»Programs»National Instruments»NI-DAQ»NI-DAQmx Help**.

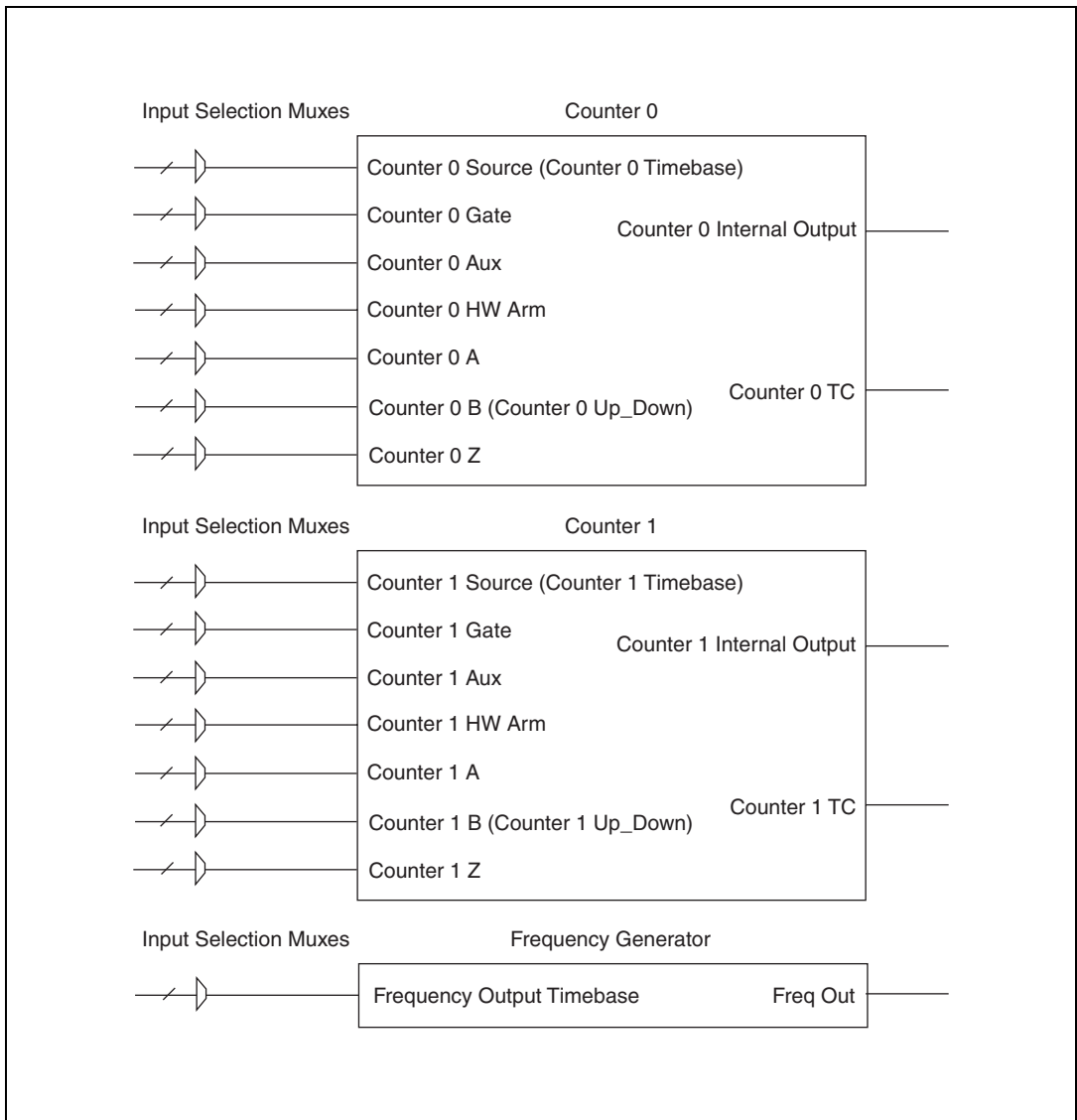


Figure 15. NI cDAQ-9172 Counters

Counters have seven input signals, although in most applications only a few inputs are used.

For information about connecting the counter signals, refer to the [Default Counter/Timer Routing](#) section. The following sections describe various counter applications.

Counter Input Applications

Counting Edges

In edge counting applications, the counter counts edges on its Source after the counter is armed. You can configure the counter to count rising or falling edges on its Source input. You also can control the direction of counting (up or down).

The counter values can be read on demand or with a sample clock.

Single-Point (On-Demand) Edge Counting

With single-point (on-demand) edge counting, the counter counts the number of edges on the Source input after the counter is armed. *On-demand* refers to the fact that software can read the counter contents at any time without disturbing the counting process. Figure 16 shows an example of single-point edge counting.

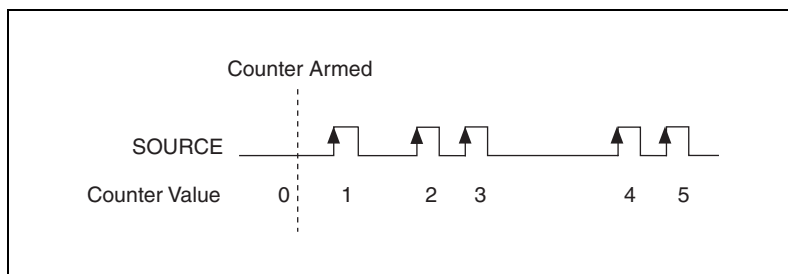


Figure 16. Single-Point (On-Demand) Edge Counting

You also can use a pause trigger to pause (or gate) the counter. When the pause trigger is active, the counter ignores edges on its Source input. When the pause trigger is inactive, the counter counts edges normally.

You can route the pause trigger to the Gate input of the counter. You can configure the counter to pause counting when the pause trigger is high or when it is low. Figure 17 shows an example of on-demand edge counting with a pause trigger.

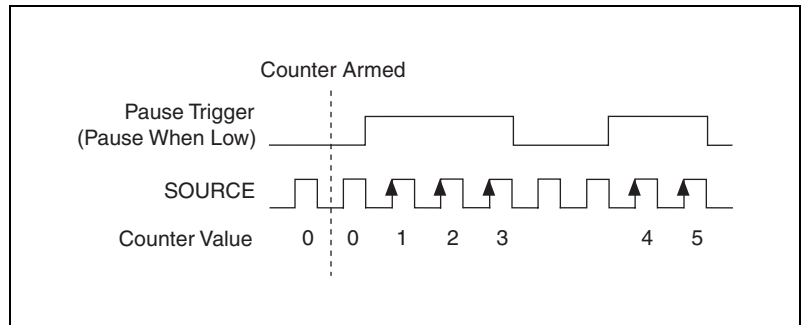


Figure 17. Single-Point (On-Demand) Edge Counting with Pause Trigger

Buffered (Sample Clock) Edge Counting

With buffered edge counting (edge counting using a sample clock), the counter counts the number of edges on the Source input after the counter is armed. The value of the counter is sampled on each active edge of a sample clock. The NI cDAQ-9172 transfers the sampled values to host memory.

The count values returned are the cumulative counts since the counter armed event. That is, the sample clock does not reset the counter.

You can route the counter sample clock to the Gate input of the counter. You can configure the counter to sample on the rising or falling edge of the sample clock.

Figure 18 shows an example of buffered edge counting. Notice that counting begins when the counter is armed, which occurs before the first active edge on Gate.

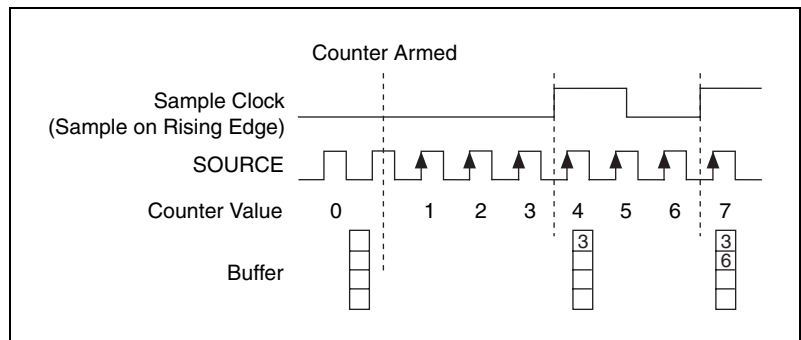


Figure 18. Buffered (Sample Clock) Edge Counting

Controlling the Direction of Counting

In edge counting applications, the counter can count up or down. You can configure the counter to do the following:

- Always count up
- Always count down
- Count up when the Counter n B input is high; count down when it is low

For information on connecting counter signals, refer to the [Default Counter/Timer Routing](#) section.

Pulse-Width Measurement

In pulse-width measurements, the counter measures the width of a pulse on its Gate input signal. You can configure the counter to measure the width of high pulses or low pulses on the Gate signal.

You can route an internal or external periodic clock signal (with a known period) to the Source input of the counter. The counter counts the number of rising (or falling) edges on the Source signal while the pulse on the Gate signal is active.

You can calculate the pulse width by multiplying the period of the Source signal by the number of edges returned by the counter.

A pulse-width measurement is accurate even if the counter is armed while a pulse train is in progress. If a counter is armed while the pulse is in the active state, it waits for the next transition to the active state to begin the measurement.

Single Pulse-Width Measurement

With single pulse-width measurement, the counter counts the number of edges on the Source input while the Gate input remains active. When the Gate input goes inactive, the counter stores the count in a hardware save register and ignores other edges on the Gate and Source inputs. The software then reads the stored count.

Figure 19 shows an example of a single pulse-width measurement.

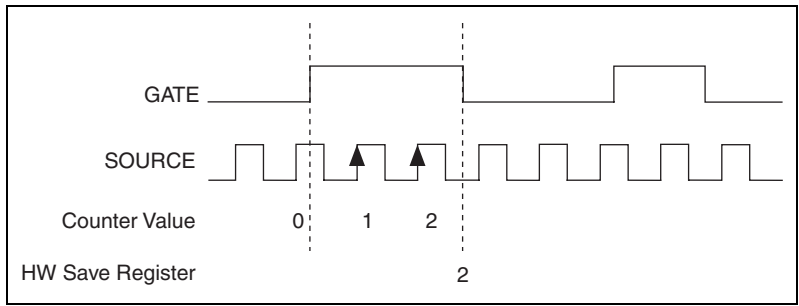


Figure 19. Single Pulse-Width Measurement

Buffered Pulse-Width Measurement

Buffered pulse-width measurement is similar to single pulse-width measurement, but buffered pulse-width measurement takes measurements over multiple pulses.

The counter counts the number of edges on the Source input while the Gate input remains active. On each trailing edge of the Gate signal, the counter stores the count in a hardware save register. The NI cDAQ-9172 transfers the stored values to host memory.

Figure 20 shows an example of a buffered pulse-width measurement.

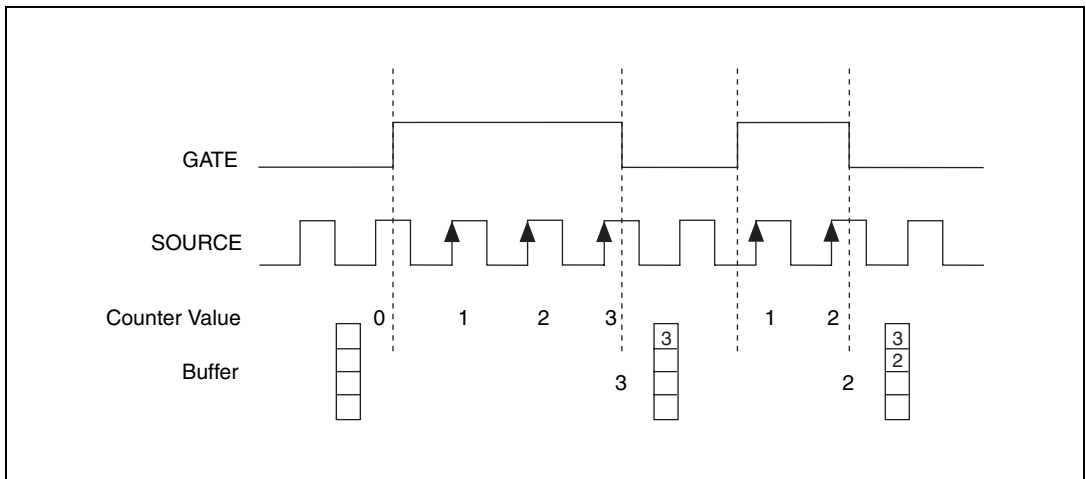


Figure 20. Buffered Pulse-Width Measurement



Note If you are using an external signal as the Source, at least one Source pulse should occur between each active edge of the Gate signal. This condition ensures that correct values are returned by the counter. If this condition is not met, consider using duplicate count prevention, described in the [Duplicate Count Prevention](#) section.

For information on connecting counter signals, refer to the [Default Counter/Timer Routing](#) section.

Period Measurement

In period measurements, the counter measures a period on its Gate input signal after the counter is armed. You can configure the counter to measure the period between two rising edges or two falling edges of the Gate input signal.

You can route an internal or external periodic clock signal (with a known period) to the Source input of the counter. The counter counts the number of rising (or falling) edges occurring on the Source input between the two active edges of the Gate signal.

You can calculate the period of the Gate input by multiplying the period of the Source signal by the number of edges returned by the counter.

Single Period Measurement

With single period measurement, the counter counts the number of rising (or falling) edges on the Source input occurring between two active edges of the Gate input. On the second active edge of the Gate input, the counter stores the count in a hardware save register and ignores other edges on the Gate and Source inputs. The software then reads the stored count.

Figure 21 shows an example of a single period measurement.

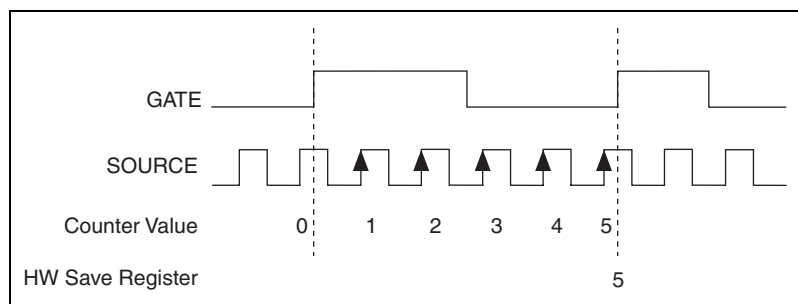


Figure 21. Single Period Measurement

Buffered Period Measurement

Buffered period measurement is similar to single period measurement, but buffered period measurement measures multiple periods.

The counter counts the number of rising (or falling) edges on the Source input between each pair of active edges on the Gate input. At the end of each period on the Gate signal, the counter stores the count in a hardware save register. The NI cDAQ-9172 transfers the stored values to host memory.

The counter begins when it is armed. The arm usually occurs in the middle of a period of the Gate input. So the first value stored in the hardware save register does not reflect a full period of the Gate input. In most applications, this first point should be discarded.

Figure 22 shows an example of a buffered period measurement.

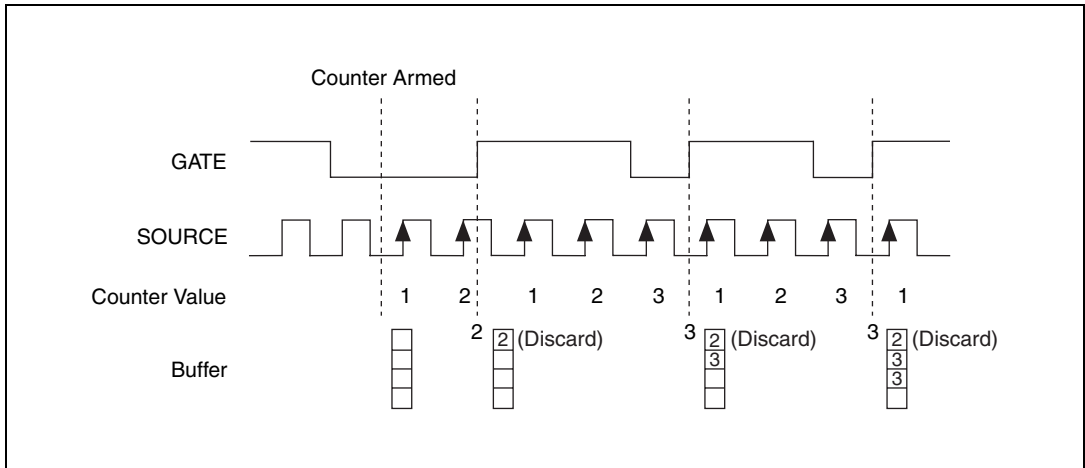


Figure 22. Buffered Period Measurement



Note If you are using an external signal as the Source, at least one Source pulse should occur between each active edge of the Gate signal. This condition ensures that correct values are returned by the counter. If this condition is not met, consider using duplicate count prevention, described in the [Duplicate Count Prevention](#) section.

For information about connecting counter signals, refer to the [Default Counter/Timer Routing](#) section.

Semi-Period Measurement

In semi-period measurements, the counter measures a semi-period on its Gate input signal after the counter is armed. A semi-period is the time between any two consecutive edges on the Gate input.

You can route an internal or external periodic clock signal (with a known period) to the Source input of the counter. The counter counts the number of rising (or falling) edges occurring on the Source input between two edges of the Gate signal.

You can calculate the semi-period of the Gate input by multiplying the period of the Source signal by the number of edges returned by the counter.

Single Semi-Period Measurement

Single semi-period measurement is equivalent to single pulse-width measurement.

Buffered Semi-Period Measurement

In buffered semi-period measurement, on each edge of the Gate signal, the counter stores the count in a hardware save register. The NI cDAQ-9172 transfers the stored values to host memory.

The counter begins counting when it is armed. The arm usually occurs between edges on the Gate input, which means that the first value stored in the hardware save register does not reflect a full semi-period of the Gate input. In most applications, this first point should be discarded.

Figure 23 shows an example of a buffered semi-period measurement.

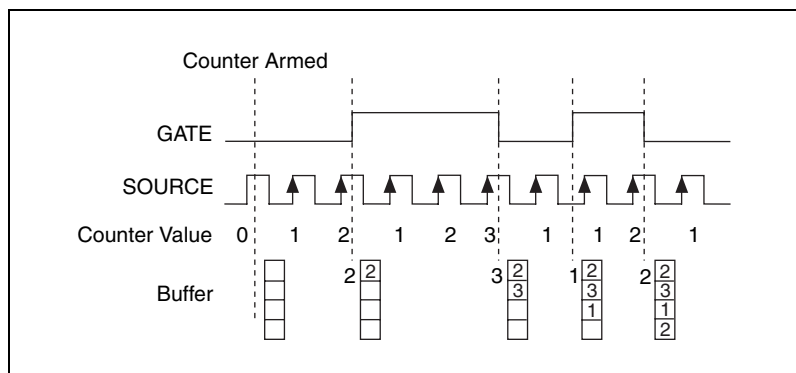


Figure 23. Buffered Semi-Period Measurement



Note If you are using an external signal as the Source, at least one Source pulse should occur between each active edge of the Gate signal. This condition ensures that correct values are returned by the counter. If this condition is not met, consider using duplicate count prevention, described in the *Duplicate Count Prevention* section.

For information on connecting counter signals, refer to the *Default Counter/Timer Routing* section.

Frequency Measurement

You can use the counters to measure frequency in several different ways. You can choose one of the following methods depending on your application: Method 1, Method 1b, Method 2, and Method 3.

Method 1—Measure Low Frequency With One Counter

This method is good for low frequency signals. Use this method to measure one period of your signal using a known timebase. Figure 24 illustrates this method.

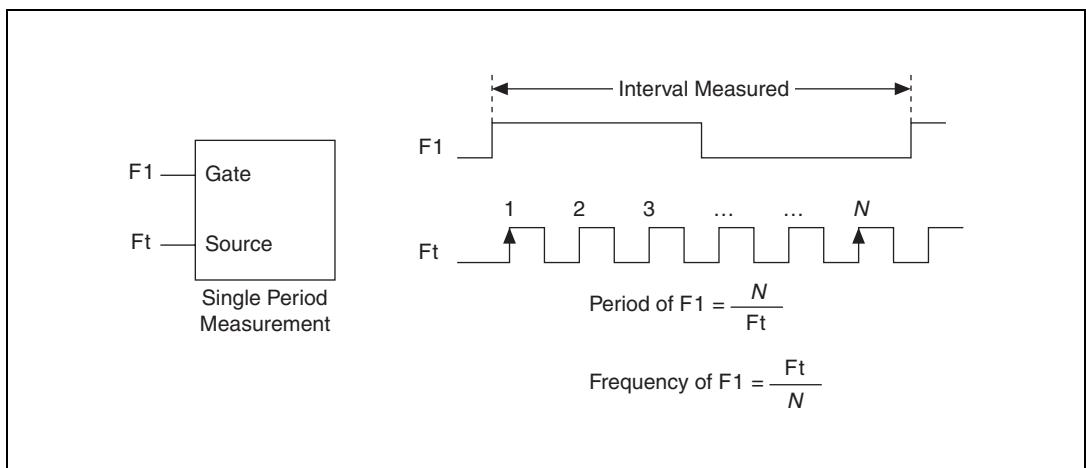


Figure 24. Frequency Measurement—Method 1

You can route the signal to measure (F1) to the Gate of a counter. You can route a known timebase (Ft) to the Source of the counter. The known timebase can be 80MHzTimebase. For signals that might be slower than 0.02 Hz, use a slower known timebase.

You can configure the counter to measure one period of the gate signal. The frequency of F1 is the inverse of the period.

Method 1b—Measure Low Frequency With One Counter (Averaged)

This method is good for low to medium frequency signals. Use this method to measure several periods of your signal using a known timebase. Figure 25 illustrates this method.

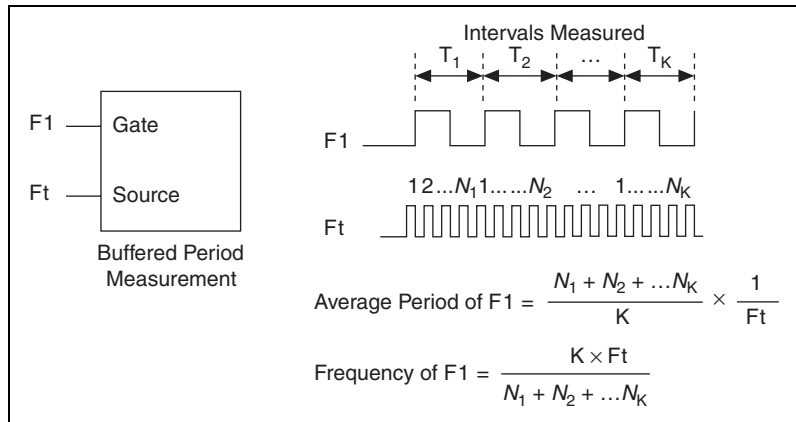


Figure 25. Frequency Measurement—Method 1b

You can route the signal to measure (F1) to the Gate of a counter. You can route a known timebase (Ft) to the Source of the counter. The known timebase can be 80MHzTimebase. For signals that might be slower than 0.02 Hz, use a slower known timebase.

You can configure the counter to make K + 1 buffered period measurements. Recall that the first period measurement in the buffer should be discarded.

Average the remaining K period measurements to determine the average period of F1. The frequency of F1 is the inverse of the average period.

Method 2—Measure High Frequency With Two Counters

This method is good for high frequency signals. Use this method to measure one pulse of a known width using your signal and derive the frequency of your signal from the result. Figure 26 illustrates this method.

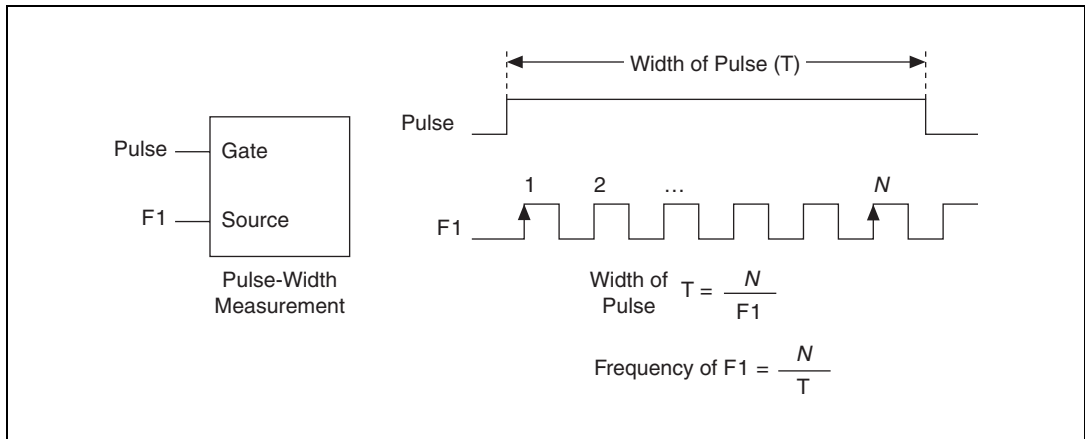


Figure 26. Frequency Measurement—Method 2

In this method, you route a pulse of known duration (T) to the Gate of a counter. You can generate the pulse using a second counter. You also can generate the pulse externally and connect it to a PFI terminal. You only need to use one counter if you generate the pulse externally.

Route the signal to measure ($F1$) to the Source of the counter. Configure the counter for a single pulse-width measurement. Suppose you measure the width of pulse T to be N periods of $F1$. Then the frequency of $F1$ is N/T .

Another option would be to measure the width of a known period instead of a known pulse.

Method 3—Measure Large Range of Frequencies Using Two Counters

By using two counters, you can accurately measure a signal that might be high or low frequency. This technique is called reciprocal frequency measurement. In this method, you generate a long pulse using the signal to measure. You then measure the long pulse with a known timebase. The NI cDAQ-9172 chassis can measure this long pulse more accurately than the faster input signal.

You can route the signal to measure to the Source input of Counter 0, as shown in Figure 27. Assume this signal to measure has frequency F_1 . Configure Counter 0 to generate a single pulse that is the width of N periods of the source input signal.

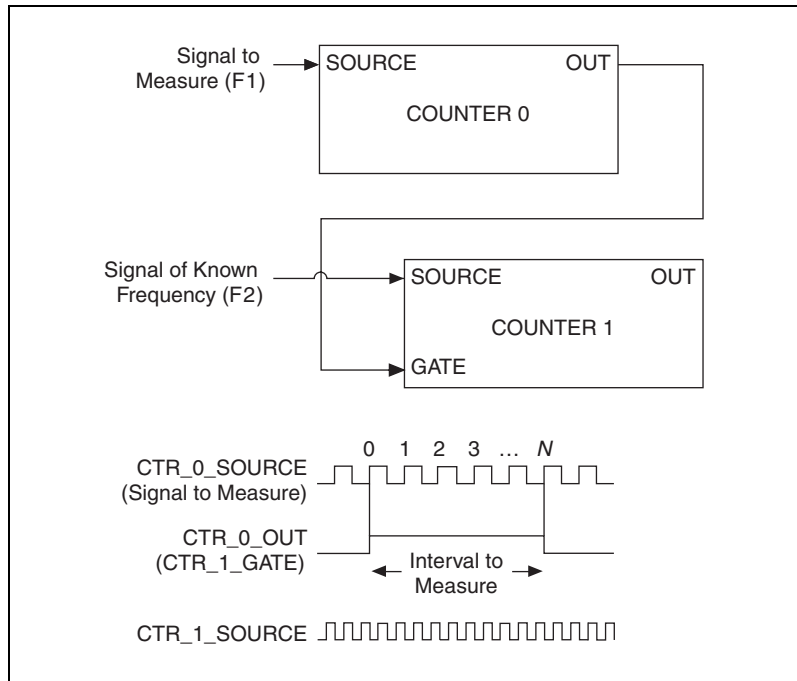


Figure 27. Frequency Measurement—Method 3

Then route the Counter 0 Internal Output signal to the Gate input of Counter 1. You can route a signal of known frequency (F_2) to the Counter 1 Source input. F_2 can be 80MHzTimebase. For signals that might be slower than 0.02 Hz, use a slower known timebase. Configure Counter 1 to perform a single pulse-width measurement. Suppose the result is that the pulse width is J periods of the F_2 clock.

From Counter 0, the length of the pulse is N/F_1 . From Counter 1, the length of the same pulse is J/F_2 . Therefore, the frequency of F_1 is given by $F_1 = F_2 * (N/J)$.

Choosing a Method for Measuring Frequency

The best method to measure frequency depends on several factors including the expected frequency of the signal to measure, the desired accuracy, how many counters are available and how long the measurement can take.

- Method 1 uses only one counter. It is a good method for many applications. However, the accuracy of the measurement decreases as the frequency increases.

Consider a frequency measurement on a 50 kHz signal using an 80 MHz Timebase. This frequency corresponds to 1600 cycles of the 80 MHz Timebase. Your measurement may return 1600 ± 1 cycles depending on the phase of the signal with respect to the timebase. As your frequency becomes larger, this error of ± 1 cycle becomes more significant, as Table 4 illustrates.

Table 4. Frequency Measurement Method 1

Task	Equation	Example 1	Example 2
Actual Frequency to Measure	F1	50 kHz	5 MHz
Timebase Frequency	Ft	80 MHz	80 MHz
Actual Number of Timebase Periods	Ft/F1	1600	16
Worst Case Measured Number of Timebase Periods	$(Ft/F1) - 1$	1599	15
Measured Frequency	$Ft F1 / (Ft - F1)$	50.031 kHz	5.33 MHz
Error	$[Ft F1 / (Ft - F1)] - F1$	31 Hz	333 kHz
Error %	$[Ft / (Ft - F1)] - 1$	0.06%	6.67%

- Method 1b (measuring K periods of F1) improves the accuracy of the measurement. A disadvantage of Method 1b is that K + 1 measurements are required. These measurements take more time and consume some of the available USB bandwidth.
- Method 2 is accurate for high frequency signals. However, the accuracy decreases as the frequency of the signal to measure decreases. At very low frequencies, Method 2 may be too inaccurate for your application. Another disadvantage of Method 2 is that it requires two counters (if you cannot provide an external signal of known width). An advantage of Method 2 is that the measurement completes in a known amount of time.
- Method 3 measures high and low frequency signals accurately. However, it requires two counters.

Table 5 summarizes some of the differences in methods of measuring frequency.

Table 5. Frequency Measurement Method Comparison

Method	Number of Counters Used	Number of Measurements Returned	Measures High Frequency Signals Accurately	Measures Low Frequency Signals Accurately
1	1	1	Poor	Good
1b	1	Many	Fair	Good
2	1 or 2	1	Good	Poor
3	2	1	Good	Good

For information on connecting counter signals, refer to the [Default Counter/Timer Routing](#) section.

Position Measurement

You can use the counters to perform position measurements with quadrature encoders or two-pulse encoders. You can measure angular position with X1, X2, and X4 angular encoders. Linear position can be measured with two-pulse encoders. You can choose to do a single-point (on-demand) position measurement or a buffered (sample clock) position measurement. You must arm a counter to begin position measurements.

Measurements Using Quadrature Encoders

The counters can perform measurements of quadrature encoders that use X1, X2, or X4 encoding. A quadrature encoder can have up to three channels—channels A, B, and Z.

X1 Encoding

When channel A leads channel B in a quadrature cycle, the counter increments. When channel B leads channel A in a quadrature cycle, the counter decrements. The amount of increments and decrements per cycle depends on the type of encoding—X1, X2, or X4.

Figure 28 shows a quadrature cycle and the resulting increments and decrements for X1 encoding. When channel A leads channel B, the increment occurs on the rising edge of channel A. When channel B leads channel A, the decrement occurs on the falling edge of channel A.

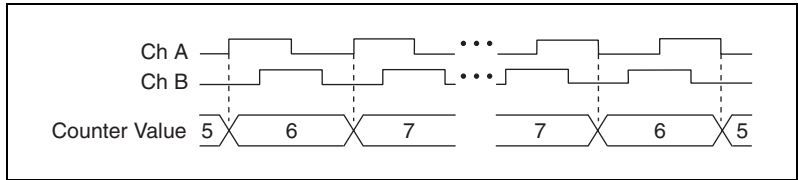


Figure 28. X1 Encoding

X2 Encoding

The same behavior holds for X2 encoding except the counter increments or decrements on each edge of channel A, depending on which channel leads the other. Each cycle results in two increments or decrements, as shown in Figure 29.

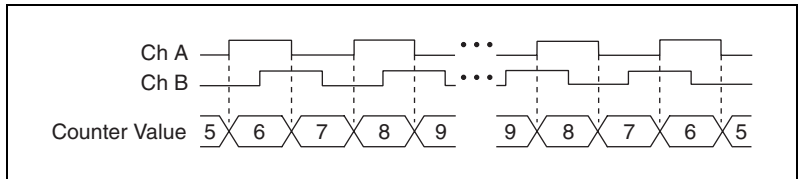


Figure 29. X2 Encoding

X4 Encoding

The counter increments or decrements similarly on each edge of channels A and B for X4 encoding. Whether the counter increments or decrements depends on which channel leads the other. Each cycle results in four increments or decrements, as shown in Figure 30.

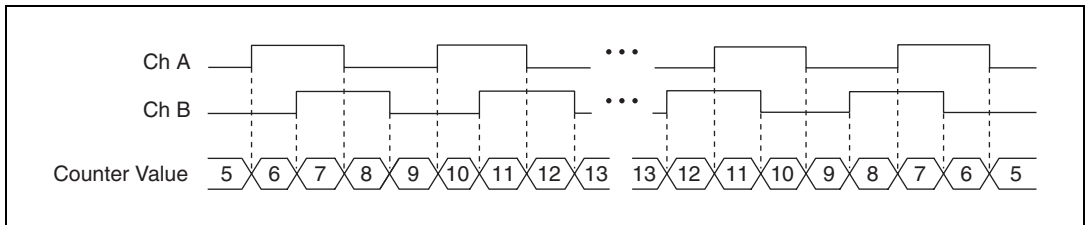


Figure 30. X4 Encoding

Channel Z Behavior

Some quadrature encoders have a third channel, channel Z, which is also referred to as the index channel. A high level on channel Z causes the counter to be reloaded with a specified value in a specified phase of the quadrature cycle. You can program this reload to occur in any one of the four phases in a quadrature cycle.

Channel Z behavior—when it goes high and how long it stays high—differs with quadrature encoder designs. You must refer to the documentation for your quadrature encoder to obtain timing of channel Z with respect to channels A and B. You must then ensure that channel Z is high during at least a portion of the phase you specify for reload. For example, in Figure 31, channel Z is never high when channel A is high and channel B is low. Thus, the reload must occur in some other phase.

In Figure 31, the reload phase is when both channel A and channel B are low. The reload occurs when this phase is true and channel Z is high. Incrementing and decrementing takes priority over reloading. Thus, when the channel B goes low to enter the reload phase, the increment occurs first. The reload occurs within one maximum timebase period after the reload phase becomes true. After the reload occurs, the counter continues counting as before. The figure illustrates channel Z reload with X4 decoding.

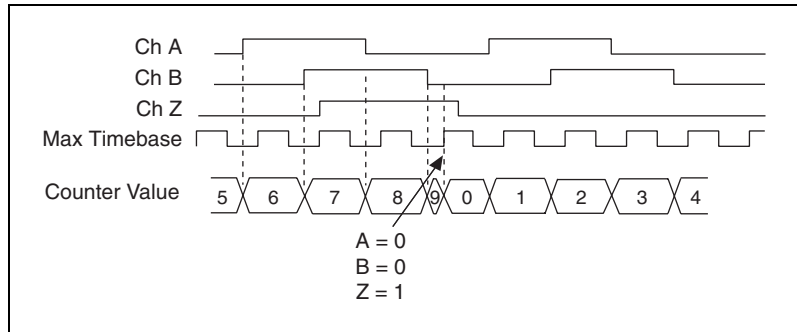


Figure 31. Channel Z Reload with X4 Decoding

Measurements Using Two Pulse Encoders

The counter supports two pulse encoders that have two channels—channels A and B.

The counter increments on each rising edge of channel A. The counter decrements on each rising edge of channel B, as shown in Figure 32.

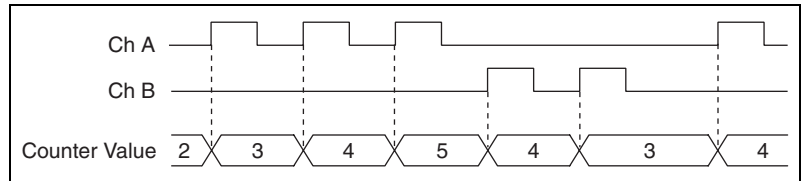


Figure 32. Measurements Using Two Pulse Encoders

For information on connecting counter signals, refer to the [Default Counter/Timer Routing](#) section.

Two-Signal Edge-Separation Measurement

Two-signal edge-separation measurement is similar to pulse-width measurement, except that there are two measurement signals—AUX and Gate. An active edge on the AUX input starts the counting and an active edge on the Gate input stops the counting. You must arm a counter to begin a two edge separation measurement.

After the counter has been armed and an active edge occurs on the AUX input, the counter counts the number of rising (or falling) edges on the Source. The counter ignores additional edges on the AUX input.

The counter stops counting upon receiving an active edge on the Gate input. The counter stores the count in a hardware save register.

You can configure the rising or falling edge of the AUX input or the Gate input to be the active edge.

Use this type of measurement to count events or measure the time that occurs between edges on two signals. This type of measurement is sometimes referred to as start/stop trigger measurement, second gate measurement, or A-to-B measurement.

Single Two-Signal Edge-Separation Measurement

With single two-signal edge-separation measurement, the counter counts the number of rising (or falling) edges on the Source input occurring between an active edge of the Gate signal and an active edge of the AUX signal. The counter then stores the count in a hardware save register and ignores other edges on its inputs. Software then reads the stored count.

Figure 33 shows an example of a single two-signal edge-separation measurement.

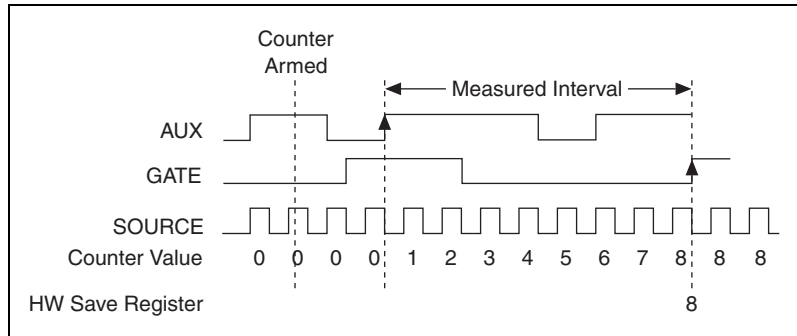


Figure 33. Single Two-Signal Edge-Separation Measurement

Buffered Two-Signal Edge-Separation Measurement

Buffered and single two-signal edge-separation measurements are similar, but buffered measurement measures multiple intervals.

The counter counts the number of rising (or falling) edges on the Source input occurring between an active edge of the Gate signal and an active edge of the AUX signal. The counter then stores the count in a hardware save register. On the next active edge of the Gate signal, the counter begins another measurement. The NI cDAQ-9172 transfers the stored values to host memory.

Figure 34 shows an example of a buffered two-signal edge-separation measurement.

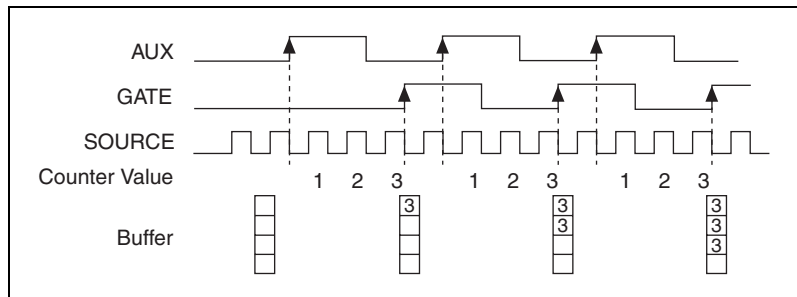


Figure 34. Buffered Two-Signal Edge-Separation Measurement

For information about connecting counter signals, refer to the [Default Counter/Timer Routing](#) section.

Counter Output Applications

Simple Pulse Generation

The counter can output a single pulse. The pulse appears on the Counter n Internal Output signal of the counter.

You can specify a delay from when the counter is armed to the beginning of the pulse. The delay is measured in terms of a number of active edges of the Source input.

You can specify a pulse width. The pulse width is also measured in terms of a number of active edges of the Source input. You also can specify the active edge of the Source input (rising or falling).

Figure 35 shows a generation of a pulse with a pulse delay of four and a pulse width of three (using the rising edge of Source).

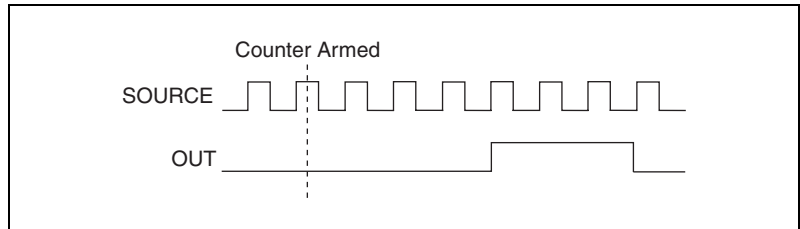


Figure 35. Single Pulse Generation

Single Pulse Generation with Start Trigger

The counter can output a single pulse in response to one pulse on a hardware Start Trigger signal. The pulse appears on the Counter n Internal Output signal of the counter.

You can route the Start Trigger signal to the Gate input of the counter. You can specify a delay from the Start Trigger to the beginning of the pulse. You also can specify the pulse width. The delay and pulse width are measured in terms of a number of active edges of the Source input.

After the Start Trigger signal pulses once, the counter ignores the Gate input.

Figure 36 shows a generation of a pulse with a pulse delay of four and a pulse width of three (using the rising edge of Source).

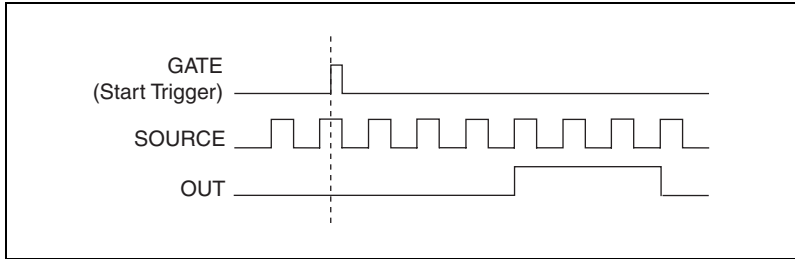


Figure 36. Single Pulse Generation with Start Trigger

Retriggerable Single Pulse Generation

The counter can output a single pulse in response to each pulse on a hardware Start Trigger signal. The pulses appear on the Counter n Internal Output signal of the counter.

You can route the Start Trigger signal to the Gate input of the counter. You can specify a delay from the Start Trigger to the beginning of each pulse. You also can specify the pulse width. The delay and pulse width are measured in terms of a number of active edges of the Source input.

The counter ignores the Gate input while a pulse generation is in progress. After the pulse generation is finished, the counter waits for another Start Trigger signal to begin another pulse generation.

Figure 37 shows a generation of two pulses with a pulse delay of five and a pulse width of three (using the rising edge of Source).

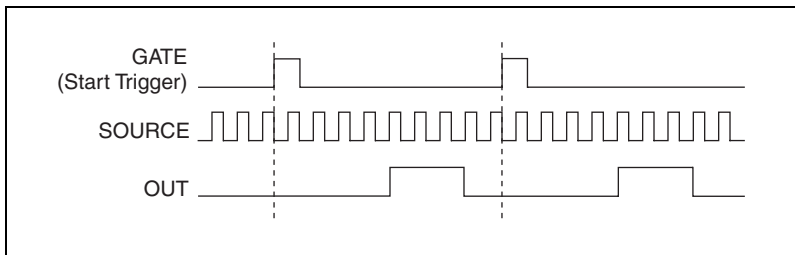


Figure 37. Retriggerable Single Pulse Generation

For information on connecting counter signals, refer to the [Default Counter/Timer Routing](#) section.

Pulse Train Generation

Continuous Pulse Train Generation

This function generates a train of pulses with programmable frequency and duty cycle. The pulses appear on the Counter n Internal Output signal of the counter.

You can specify a delay from when the counter is armed to the beginning of the pulse train. The delay is measured in terms of a number of active edges of the Source input.

You specify the high and low pulse widths of the output signal. The pulse widths are also measured in terms of a number of active edges of the Source input. You also can specify the active edge of the Source input (rising or falling).

The counter can begin the pulse train generation as soon as the counter is armed, or in response to a hardware Start Trigger. You can route the Start Trigger to the Gate input of the counter.

You also can use the Gate input of the counter as a Pause Trigger (if it is not used as a Start Trigger). The counter pauses pulse generation when the Pause Trigger is active.

Figure 38 shows a continuous pulse train generation (using the rising edge of Source).

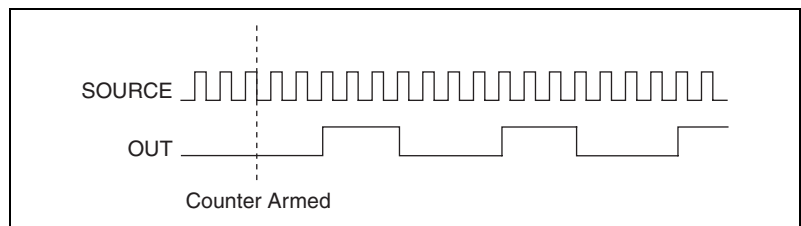


Figure 38. Continuous Pulse Train Generation

Continuous pulse train generation is sometimes called frequency division. If the high and low pulse widths of the output signal are M and N periods, then the frequency of the Counter n Internal Output signal is equal to the frequency of the Source input divided by $M + N$.

For information on connecting counter signals, refer to the [Default Counter/Timer Routing](#) section.

Frequency Generation

You can generate a frequency by using a counter in pulse train generation mode or by using the frequency generator circuit.

Using the Frequency Generator

The frequency generator can output a square wave at many different frequencies. The frequency generator is independent of the two general-purpose 32-bit counter/timer modules on the NI cDAQ-9172 chassis.

Figure 39 shows a block diagram of the frequency generator.

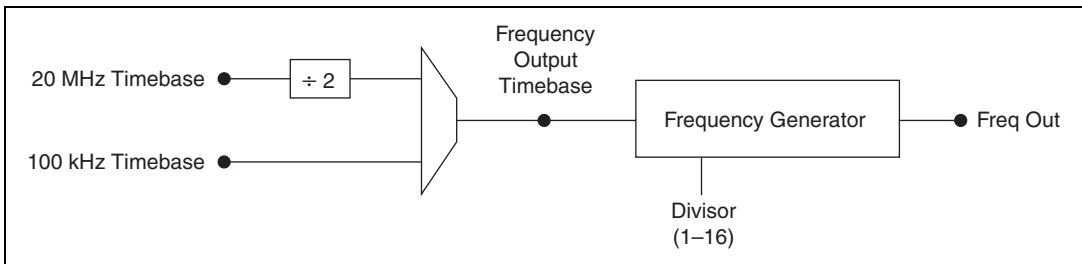


Figure 39. Frequency Generator Block Diagram

The frequency generator generates the Frequency Output signal. The Frequency Output signal is the Frequency Output Timebase divided by a number you select from 1 to 16. The Frequency Output Timebase can be either the 20 MHz Timebase divided by 2 or the 100 kHz Timebase.

The duty cycle of Frequency Output is 50% if the divider is either one or an even number. For an odd divider, suppose the divider is set to D . In this case, Frequency Output is low for $(D + 1)/2$ cycles and high for $(D - 1)/2$ cycles of the Frequency Output Timebase.

Figure 40 shows the output waveform of the frequency generator when the divider is set to 5.

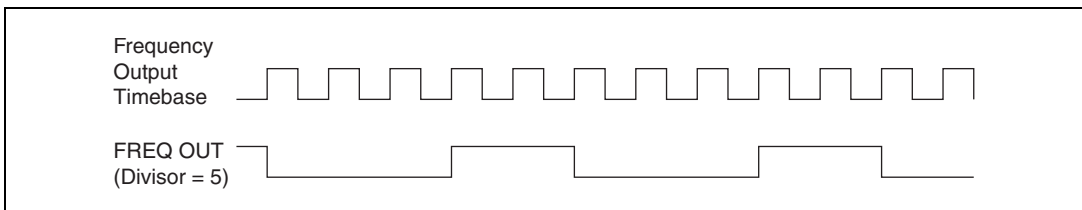


Figure 40. Frequency Generator Output Waveform

Frequency Output can be routed to any output PFI terminal. The **FREQ OUT** signal also can be routed to **DO Sample Clock** and **DI Sample Clock**.

In software, program the frequency generator as you would program one of the counters for pulse train generation.

For information on connecting counter signals, refer to the [Default Counter/Timer Routing](#) section.

Frequency Division

The counters can generate a signal with a frequency that is a fraction of an input signal. This function is equivalent to continuous pulse train generation.

For information on connecting counter signals, refer to the [Default Counter/Timer Routing](#) section.

Counter Timing Signals

In slots 5 and/or 6 of the NI cDAQ-9172 chassis, you can configure C Series correlated digital input/output modules as one of the following counter timing signals:

- Counter n Source
- Counter n Gate
- Counter n Aux
- Counter n A
- Counter n B
- Counter n Z
- Counter n Up_Down
- Counter n HW Arm
- Counter n Internal Output
- Counter n TC
- Frequency Output

In this section, n refers to either Counter 0 or 1. For example, Counter n Source refers to two signals—Counter 0 Source (the source input to Counter 0) and Counter 1 Source (the source input to Counter 1).

Counter n Source Signal

The selected edge of the Counter n Source signal increments and decrements the counter value, depending upon the application the counter is performing. Table 6 lists how this terminal is used in various applications.

Table 6. Counter Applications and Counter n Source

Application	Purpose of Source Terminal
Pulse Generation	Counter Timebase
One Counter Time Measurements	Counter Timebase
Two Counter Time Measurements	Input Terminal
Nonbuffered Edge Counting	Input Terminal
Buffered Edge Counting	Input Terminal
Two-Edge Separation	Counter Timebase

Routing a Signal to Counter n Source

Each counter has independent input selectors for the Counter n Source signal. You can route the following signals to the Counter n Source input:

- 80 MHz Timebase
- 20 MHz Timebase
- 100 kHz Timebase
- Any PFI terminal
- Analog Comparison Event

In addition, you can route Counter 1 TC or Counter 1 Gate to Counter 0 Source. You can also route Counter 0 TC or Counter 0 Gate to Counter 1 Source.

Routing Counter n Source to an Output Terminal

You can route Counter n Source to any output PFI terminal.

Counter n Gate Signal

The Counter n Gate signal can perform many different operations depending on the application including starting and stopping the counter, and saving the counter contents.

Routing a Signal to Counter n Gate

Each counter has independent input selectors for the Counter n Gate signal. You can route the following signals to the Counter n Gate input:

- Any PFI terminal
- ai/ReferenceTrigger
- ai/StartTrigger
- ai/SampleClock
- ai/ConvertClock
- ao/SampleClock
- di/SampleClock
- do/SampleClock
- Change Detection Event
- Analog Comparison Event

In addition, you can route Counter 1 Internal Output or Counter 1 Source to Counter 0 Gate. You can also route Counter 0 Internal Output or Counter 0 Source to Counter 1 Gate.

Some of these options may not be available in some driver software.

Routing Counter n Gate to an Output Terminal

You can route Counter n Gate to any output PFI terminal.

Counter n Aux Signal

The Counter n Aux signal indicates the first edge in a two-signal edge-separation measurement.

Routing a Signal to Counter n Aux

Each counter has independent input selectors for the Counter n Aux signal. You can route the following signals to the Counter n Aux input:

- Any PFI terminal
- ai/ReferenceTrigger
- ai/StartTrigger
- Analog Comparison Event

In addition, you can route Counter 1 Internal Output, Counter 1 Gate, Counter 1 Source, or Counter 0 Gate to Counter 0 Aux. You can also route Counter 0 Internal Output, Counter 0 Gate, Counter 0 Source, or Counter 1 Gate to Counter 1 Aux.

Some of these options may not be available in some driver software.

Counter n A, Counter n B, and Counter n Z Signals

Counter n B can control the direction of counting in edge counting applications. Use the A, B, and Z inputs to each counter when measuring quadrature encoders or measuring two pulse encoders.

Routing Signals to A, B, and Z Counter Inputs

Each counter has independent input selectors for each of the A, B, and Z inputs. You can route the following signals to each input:

- Any PFI terminal
- Analog Comparison Event

Routing Counter n Z Signal to an Output Terminal

You can route Counter n Z to any output PFI terminal.

Counter n Up_Down Signal

Counter n Up_Down is another name for the Counter n B signal.

Counter n HW Arm Signal

The Counter n HW Arm signal enables a counter to begin an input or output function.

To begin any counter input or output function, you must first enable, or arm, the counter. In some applications, such as buffered semi-period measurement, the counter begins counting when armed. In other applications, such as single pulse-width measurement, the counter begins waiting for the Gate signal when it is armed. Counter output operations can use the arm signal in addition to a start trigger.

Software can arm a counter or configure counters to be armed on a hardware signal. Software calls this hardware signal the Arm Start Trigger. Neutrally software routes the Arm Start Trigger to the Counter n HW Arm input of the counter.

Routing Signals to Counter n HW Arm Input

You can route the following signals to the Counter n HW Arm input:

- Any PFI terminal
- ai/ReferenceTrigger
- ai/StartTrigger
- Analog Comparison Event

You can route Counter 1 Internal Output to Counter 0 HW Arm. You can also route Counter 0 Internal Output to Counter 1 HW Arm.

Some of these options may not be available in some driver software.

Counter n Internal Output and Counter n TC Signals

Counter n TC is an internal signal that asserts when the counter value is 0.

The Counter n Internal Output signal changes in response to Counter n TC. The two software-selectable output options are pulse output on TC and toggle output on TC. The output polarity is software-selectable for both options.

Routing Counter n Internal Output to an Output Terminal

You can route Counter n Internal Output to any output PFI terminal.

Frequency Output Signal

The Frequency Output (FREQ OUT) signal is the output of the frequency output generator.

Routing Frequency Output to a Terminal

You can route Frequency Output to any output PFI terminal. The FREQ OUT signal can also route to DO Sample Clock and DI Sample Clock.

Default Counter/Timer Routing

Counter/timer signals are available to correlated digital I/O C Series modules in slots 5 and/or 6. To determine the signal routing options for modules installed in your system, refer to the **Device Routes** tab in MAX.

Counter Triggering

Counters support three different triggering actions—arm start, start, and pause.

Arm Start Trigger

To begin any counter input or output function, you must first enable, or arm, the counter. Software can arm a counter or configure counters to be armed on a hardware signal. Software calls this hardware signal the Arm Start Trigger. Internally, software routes the Arm Start Trigger to the Counter n HW Arm input of the counter.

For counter output operations, you can use the arm start trigger to have start trigger-like behavior. The arm start trigger can be used for synchronizing multiple counter input and output tasks.

Start Trigger

For counter output operations, you can configure a start trigger to begin a finite or continuous pulse generation. Once a continuous generation triggers, the pulses continue to generate until you stop the operation in software. For finite generations, the specified number of pulses is generated and the generation stops unless you use the retriggerable attribute. When you use this attribute, subsequent start triggers cause the generation to restart.

When using a start trigger, the start trigger source routes to the Counter n Gate signal input of the counter.

For counter input operations, the arm start trigger can imitate trigger-like behavior.

Pause Trigger

You can use pause triggers in edge counting and continuous pulse generation applications. For edge counting acquisitions, the counter stops counting edges while the external trigger signal is low and resumes when the signal goes high or vice versa. For continuous pulse generations, the counter stops generating pulses while the external trigger signal is low and resumes when the signal goes high or vice versa.

When using a pause trigger, the pause trigger source routes to the Counter n Gate signal input of the counter.

Other Counter Features

Cascading Counters

You can internally route the Counter n Internal Output and Counter n TC signals of each counter to the Gate inputs of the other counter. By cascading two counters together, you can effectively create a 64-bit counter. By cascading counters, you also can enable other applications. For example, to improve the accuracy of frequency measurements, use reciprocal frequency measurement, as described in the [Method 3—Measure Large Range of Frequencies Using Two Counters](#) section.

Counter Filters

You can enable a programmable debouncing filter on each PFI signal. When the filters are enabled, the NI cDAQ-9172 chassis samples the input

on each rising edge of a filter clock. The NI cDAQ-9172 chassis uses an onboard oscillator to generate the filter clock with a 40 MHz frequency. For more information, refer to the *NI-DAQmx Help*. The *NI-DAQmx Help* is available after installation from **Start»Programs»National Instruments»NI-DAQ»NI-DAQmx Help**.



Note NI-DAQmx *only* supports filters on counter inputs.

The following is an example of low to high transitions of the input signal. High to low transitions work similarly.

Assume that an input terminal has been low for a long time. The input terminal then changes from low to high, but glitches several times. When the filter clock samples the signal high on N consecutive edges, the low to high transition is propagated to the rest of the circuit. The value of N depends on the filter setting, as listed in Table 7.

Table 7. Counter Input Filters

Filter Setting	N (Filter Clocks Needed to Pass Signal)	Pulse Width Guaranteed to Pass Filter	Pulse Width Guaranteed to Not Pass Filter
125 ns	5	125 ns	100 ns
6.425 μ s	257	6.425 μ s	6.400 μ s
2.56 ms	~101,800	2.56 ms	2.54 ms
Disabled	—	—	—

You can configure the filter setting for each input independently. On power up, the filters are disabled. Figure 41 shows an example of a low to high transition on an input with its filter set to 125 ns (N = 5).

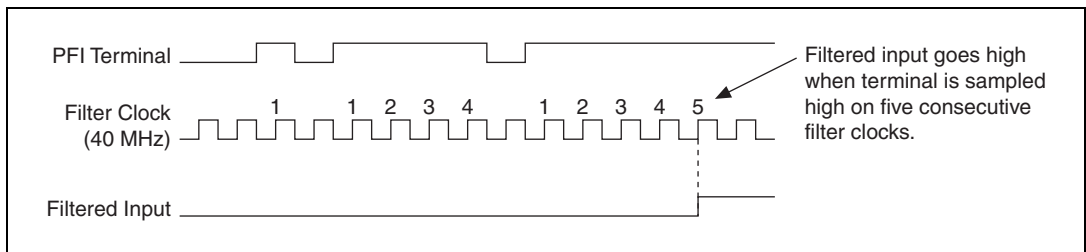


Figure 41. Filter Example

Enabling filters introduces jitter on the input signal. For the 125 ns and 6.425 μ s filter settings, the jitter is up to 25 ns. On the 2.56 ms setting, the jitter is up to 10.025 μ s.

Prescaling

Prescaling allows the counter to count a signal that is faster than the maximum timebase of the counter. The NI cDAQ-9172 chassis offers 8X and 2X prescaling on each counter (prescaling can be disabled). Each prescaler consists of a small, simple counter that counts to eight (or two) and rolls over. This counter can run faster than the larger counters, which simply count the rollovers of this smaller counter. Thus, the prescaler acts as a frequency divider on the Source and puts out a frequency that is one-eighth (or one-half) of what it is accepting.

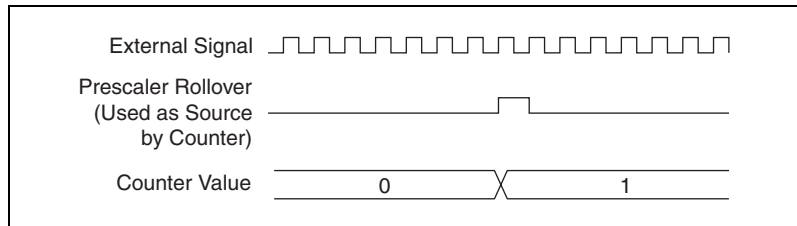


Figure 42. Prescaling

Prescaling is intended for frequency measurement where the measurement is made on a continuous, repetitive signal. The prescaling counter cannot be read; therefore, you cannot determine how many edges have occurred since the previous rollover. You can use prescaling for event counting provided it is acceptable to have an error of up to seven (or one). You can use prescaling when the counter Source is an external signal. Prescaling is not available if the counter Source is one of the internal timebases (80MHzTimebase, 20MHzTimebase, or 100kHzTimebase).

Duplicate Count Prevention

Duplicate count prevention (or synchronous counting mode) ensures that a counter returns correct data in applications that use a slow or non-periodic external source. Duplicate count prevention applies only to buffered counter applications such as measuring frequency or period. In such buffered applications, the counter stores the number of times an external Source pulses between rising edges on the Gate signal.

Example Application That Works Correctly (No Duplicate Counting)

Figure 43 shows an external buffered signal as the period measurement Source.

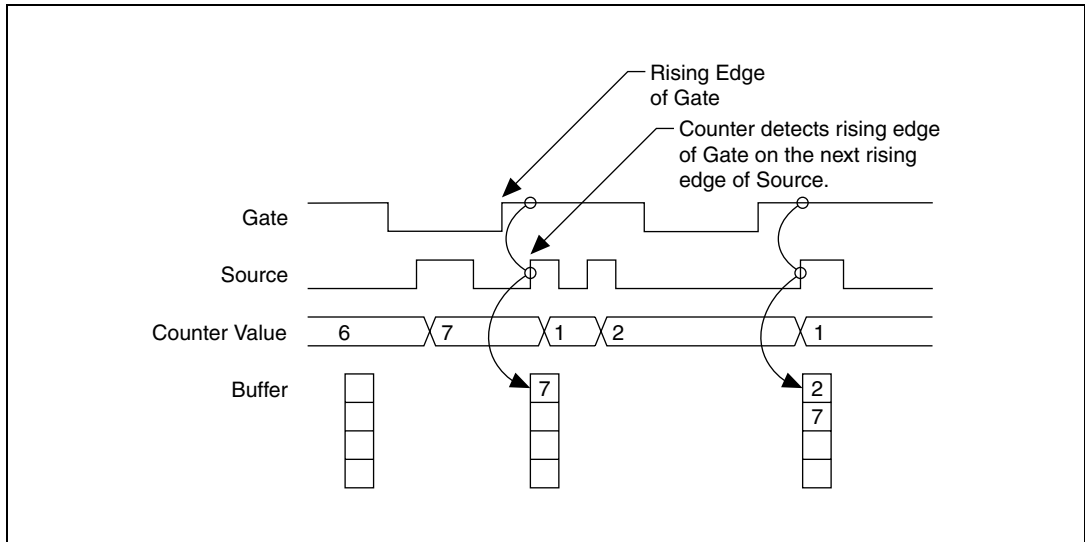


Figure 43. Duplicate Count Prevention Example

On the first rising edge of the Gate, the current count of seven is stored. On the next rising edge of the Gate, the counter stores a two because two Source pulses occurred after the previous rising edge of Gate.

The counter synchronizes or samples the Gate signal with the Source signal, which means that the counter does not detect a rising edge in the Gate until the next Source pulse. In this example, the counter stores the values in the buffer on the first rising Source edge after the rising edge of Gate. The details of when exactly the counter synchronizes the Gate signal vary depending on the synchronization mode. Synchronization modes are described in the [Synchronization Modes](#) section.

Example Application That Works Incorrectly (Duplicate Counting)

In Figure 44, after the first rising edge of Gate, no Source pulses occur, which means that the counter does not write the correct data to the buffer.

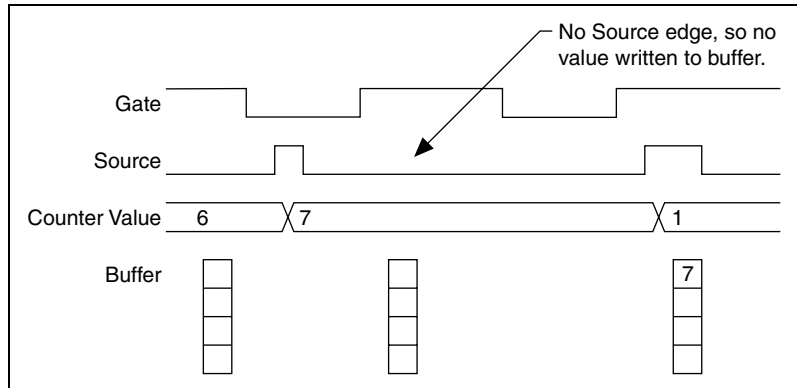


Figure 44. Duplicate Count Example

Example Application That Prevents Duplicate Count

With duplicate count prevention enabled, the counter synchronizes both the Source and Gate signals to the 80 MHz Timebase. By synchronizing to the timebase, the counter detects edges on the Gate even if the Source does not pulse. This enables the correct current count to be stored in the buffer even if no Source edges occur between Gate signals, as shown in Figure 45.

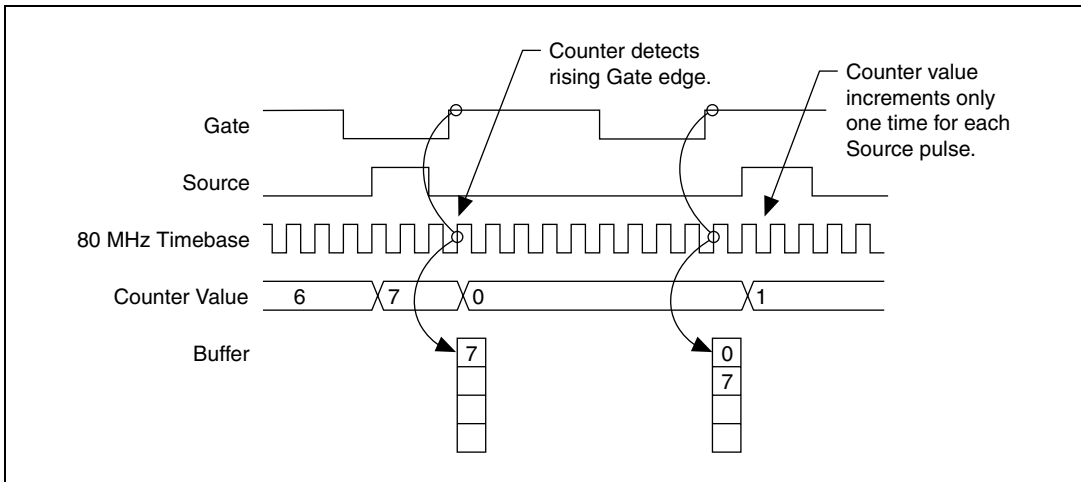


Figure 45. Duplicate Count Prevention Example

Even if the Source pulses are long, the counter increments only once for each Source pulse.

Normally, the counter value and Counter n Internal Output signals change synchronously to the Source signal. With duplicate count prevention, the counter value and Counter n Internal Output signals change synchronously to the 80 MHz Timebase.



Note Duplicate count prevention should only be used if the frequency of the Source signal is 20 MHz or less.

When To Use Duplicate Count Prevention

Use duplicate count prevention if the following conditions are true:

- You are making a counter measurement.
- You are using an external signal (such as PFI x) as the counter Source.
- The frequency of the external source is 20 MHz or less.
- You can have the counter value and output to change synchronously with the 80 MHz Timebase.

In all other cases, you should *not* use duplicate count prevention.

Enabling Duplicate Count Prevention in NI-DAQmx

You enable duplicate count prevention in NI-DAQmx by setting the **Enable Duplicate Count Prevention** attribute/property. For specific information on finding the **Enable Duplicate Count Prevention** attribute/property, refer to the help file for the API you are using.

Synchronization Modes

The 32-bit counter counts up or down synchronously with the Source signal. The Gate signal and other counter inputs are asynchronous to the Source signal. The NI cDAQ-9172 chassis synchronizes these signals before presenting them to the internal counter.

The NI cDAQ-9172 chassis uses one of three synchronization methods:

- 80 MHz source mode
- Other internal source mode
- External source mode

In NI-DAQmx, the chassis uses 80 MHz source mode if you perform the following:

- Perform a position measurement
- Select duplicate count prevention

Otherwise, the mode depends on the signal that drives Counter n Source. Table 8 describes the conditions for each mode.

Table 8. Synchronization Mode Conditions

Duplicate Count Prevention Enabled	Type of Measurement	Signal Driving Counter n Source	Synchronization Mode
Yes	Any	Any	80 MHz Source
No	Position Measurement	Any	80 MHz Source
No	Any	80 MHz Timebase	80 MHz Source
No	All Except Position Measurement	20 MHz Timebase, 100 kHz Timebase	Other Internal Source
No	All Except Position Measurement	Any Other Signal (such as PFI)	External Source

80 MHz Source Mode

In 80 MHz source mode, the NI cDAQ-9172 synchronizes signals on the rising edge of the source, and counts on the following rising edge of the source, as shown in Figure 46.

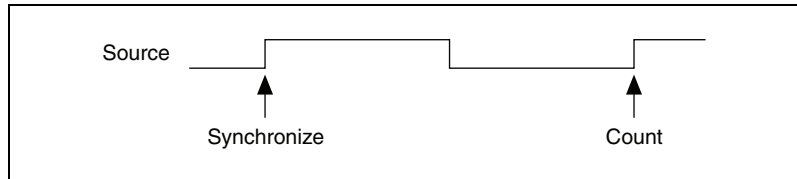


Figure 46. 80 MHz Source Mode

Other Internal Source Mode

In other internal source mode, the NI cDAQ-9172 chassis synchronizes signals on the falling edge of the source and counts on the following rising edge of the source, as shown in Figure 47.

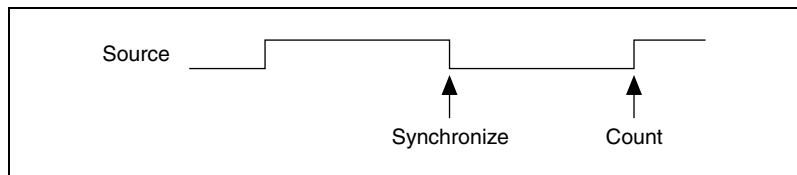


Figure 47. Other Internal Source Mode

External Source Mode

In external source mode, the chassis generates a delayed Source signal by delaying the Source signal by several nanoseconds. The NI cDAQ-9172 chassis synchronizes signals on the rising edge of the delayed Source signal and counts on the following rising edge of the source, as shown in Figure 48.

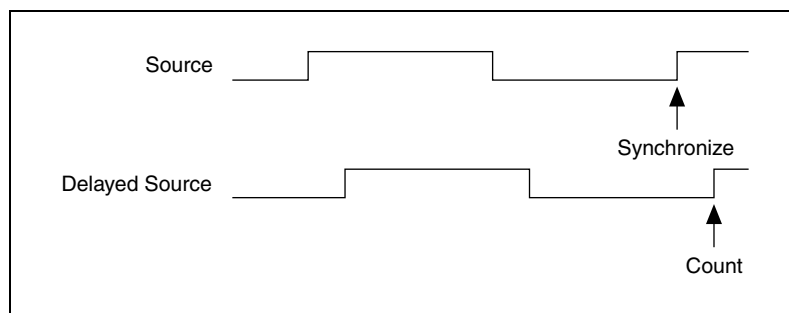


Figure 48. External Source Model

Digital Routing and Clock Generation

The digital routing circuitry has the following functions:

- Manages the flow of data between the bus interface and the acquisition/generation sub-systems (analog input, analog output, digital I/O, and the counters). The digital routing circuitry uses FIFOs (if present) in each sub-system to ensure efficient data movement.
- Routes timing and control signals. The acquisition/generation sub-systems use these signals to manage acquisitions and generations. These signals can come from the following sources:
 - Your C Series I/O modules
 - User input through the PFI terminals using correlated digital C Series I/O modules in slots 5 and/or 6
- Routes and generates the main clock signals for the NI cDAQ-9172 chassis.

To determine the signal routing options for C Series I/O modules installed in the NI cDAQ-9172 chassis, refer to the **Device Routes** tab in MAX.

Clock Routing

Figure 49 shows the clock routing circuitry of the NI cDAQ-9172 chassis.

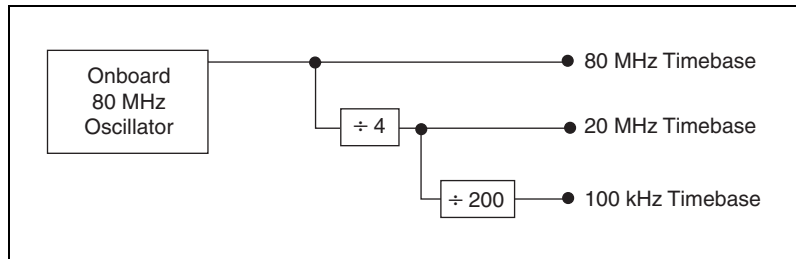


Figure 49. NI cDAQ-9172 Clock Routing Circuitry

80 MHz Timebase

You can use the 80 MHz Timebase as the Source input to the 32-bit general-purpose counter/timers.

The 80 MHz Timebase can be generated from the following sources:

- Onboard oscillator
- External signal (by using the external reference clock)

20 MHz Timebase

The 20 MHz Timebase normally generates many of the AI and AO timing signals. The 20 MHz Timebase can function as the Source input to the 32-bit general-purpose counter/timers.

The 20 MHz Timebase is generated by dividing down the 80 MHz Timebase.

100 kHz Timebase

You can use the 100 kHz Timebase to generate many of the AI and AO timing signals. The 100 kHz Timebase can also function as the Source input to the 32-bit general-purpose counter/timers.

The 100 kHz Timebase is generated by dividing down the 20 MHz Timebase by 200.

Specifications

These specifications are for the NI cDAQ-9172 chassis only. These specifications are typical at 25 °C unless otherwise noted. For the C Series I/O module specifications, refer to the documentation for the C Series I/O modules you are using.

Analog Input

Input FIFO size	2,047 samples
Sample rate ¹	
Maximum	3.2 MS/s (multi-channel, aggregate)
Minimum	0 S/s
Timing accuracy ²	50 ppm of sample rate
Timing resolution ²	50 ns
Number of channels supported	Determined by the C Series I/O modules

Analog Output

Numbers of channels supported	
In hardware-timed task	16
In non-hardware-timed task	Determined by the C Series I/O modules
Maximum update rate	1.6 MS/s (multi-channel, aggregate)
Timing accuracy	50 ppm of sample rate
Timing resolution	50 ns
Output FIFO size	8,191 samples shared among channels used

¹ Performance dependent on type of installed C Series I/O modules and number of channels in the task.

² Does not include group delay. Refer to C Series I/O module documentation for more information.

AO waveform modes.....Non-periodic waveform, periodic waveform regeneration mode from onboard memory, periodic waveform regeneration from host buffer including dynamic update

Digital Waveform Characteristics (Slots 1 through 4 Only)¹

Waveform acquisition (DI)
 FIFO.....2,047 samples

Waveform generation (DO)
 FIFO.....2,047 samples

Digital input sample clock frequency
 Streaming from application
 memory.....0 to 8 MHz, system dependent
 Regenerate from FIFO.....0 to 10 MHz
 Finite.....0 to 10 MHz

Digital output sample clock frequency
 Streaming from application
 memory.....0 to 8 MHz, system dependent
 Regenerate from FIFO.....0 to 10 MHz
 Finite.....0 to 10 MHz

Digital output or digital input
 sample clock sourceAny PFI, analog sample or convert clock, analog output sample clock, Ctr *n* Internal Output, and many other sources

PFI Characteristics (Slots 5 and 6 Only)¹

FunctionalityStatic digital input, static digital output, timing input, and timing output

Timing output sourcesMany analog input, analog output, counter, digital input, and digital output timing signals

¹ Requires correlated digital I/O modules installed on the appropriate slot(s).

Debounce filter settings	Selectable per input: 125 ns, 6.425 μ s, 2.54 ms, disable, high and low transitions
Timing input frequency	0 to 20 MHz
Timing output frequency	0 to 20 MHz

General-Purpose Counter/Timers (Slots 5 and 6 Only)¹

Number of counter/timers	2
Resolution	32 bits
Counter measurements	Edge counting, pulse, semi-period, period, two-edge separation
Position measurements	X1, X2, X4 quadrature encoding with Channel Z reloading; two-pulse encoding
Output applications	Pulse, pulse train with dynamic updates, frequency division, equivalent time sampling
Internal base clocks	80 MHz, 20 MHz, 100 kHz
External base clock frequency	0 to 20 MHz
Base clock accuracy	50 ppm
Output frequency	0 to 20 MHz
Inputs	Gate, Source, HWarm, Aux, A, B, Z, Up_Down
Routing options for inputs	Any PFI, analog trigger, many internal signals
FIFO	2 samples
Data transfers	High-speed data stream, programmed I/O

¹ Requires correlated digital I/O modules installed in the appropriate slot(s).

Frequency Generator (Slots 5 and 6 Only)

Number of channels	1
Base clocks	10 MHz, 100 kHz
Divisors	1 to 16 (integers)
Base clock accuracy	50 ppm

Output is available on any PFI terminal.

External Digital Triggers (Slots 5 and 6 or with Some AI Modules)

Source	Any PFI terminal
Polarity	Software-selectable for most signals
Analog input function	Start Trigger, Reference Trigger, Pause Trigger, Sample Clock, Sample Clock Timebase
Analog output function	Start Trigger, Pause Trigger, Sample Clock, Sample Clock Timebase
Counter/timer functions	Gate, Source, HWarm, Aux, A, B, Z, Up_Down

Module I/O States

At power-on	Module-dependent. Refer to the documentation included with the C Series I/O module(s).
When USB cable removed	Reverts to power-on state

Power Requirements

You must use a National Electric Code (NEC) Class 2 power source with the NI cDAQ-9172 chassis.



Note Some I/O modules have additional power requirements. For more information about C Series I/O module(s) power requirements, refer to documentation included with the C Series I/O module(s).



Note Sleep mode for C Series I/O modules is not supported in the NI cDAQ-9172.

Input voltage range.....	11 V to 30 V
Maximum required input power	15 W
Power input connector	DC input jack with locking, threaded ring 0.8 in. (2 mm) center pin
Power input mating connector	Switchcraft S760K

Bus Interface

USB specification	USB 2.0 Hi-Speed
Power from USB	
4.10 to 5.25 V	500 μ A maximum
High-performance data streams	4
Types available	Analog input, analog output, digital input, digital output, counter/timer input

Physical Characteristics

If you need to clean the chassis, wipe it with a dry towel.

Chassis weight (unloaded)	Approx. 840 g (1 lb 13 oz)
Chassis dimensions (unloaded).....	25.4 cm \times 8.89 cm \times 5.84 cm (10.0 in. \times 3.5 in. \times 2.3 in.)

Safety Standards

The NI cDAQ-9172 chassis is designed to meet the requirements of the following standards of safety for electrical equipment for measurement, control, and laboratory use:

- IEC 61010-1, EN 61010-1
- UL 61010-1, CSA 61010-1



Note For UL and other safety certifications, refer to the product label, or go to ni.com/certification, search by model number or product line, and click the appropriate link in the Certification column.

Environmental

The NI cDAQ-9172 chassis is intended for indoor use only. For outdoor use, mount the system in a suitably rated enclosure.

Operating temperature¹

(IEC-60068-2-1 and IEC-60068-2-2)-20 to 55 °C

Storage temperature

(IEC-60068-2-1 and IEC-60068-2-2)-40 to 85 °C

Ingress protectionIP 30

Operating humidity (IEC-60068-2-56)...10 to 90% RH, noncondensing

Storage humidity (IEC-60068-2-56)5 to 95% RH, noncondensing

Maximum altitude.....2,000 m

Pollution Degree (IEC 60664).....2

Shock and Vibration

To meet these specifications, you must panel mount the NI cDAQ-9172 system and affix ferrules to the ends of the terminal lines.

Operational shock30 g peak, half-sine, 11 ms pulse
(Tested in accordance with IEC-60068-2-27. Test profile developed in accordance with MIL-PRF-28800F.)

Random vibration

Operating5 to 500 Hz, 0.3 g_{rms}

Nonoperating5 to 500 Hz, 2.4 g_{rms}
(Tested in accordance with IEC-60068-2-64. Nonoperating test profile exceeds the requirements of MIL-PRF-28800F, Class 3.)

¹ When operated in temperatures below 0 °C, you must use the PS-5 power supply, or another power supply rated for below 0 °C.

Electromagnetic Compatibility

This product is designed to meet the requirements of the following standards of EMC for electrical equipment for measurement, control, and laboratory use:

- EN 61326 EMC requirements; Minimum Immunity
- EN 55011 Emissions; Group 1, Class A
- CE, C-Tick, ICES, and FCC Part 15 Emissions; Class A



Note For EMC compliance, operate this device according to product documentation.

CE Compliance

This product meets the essential requirements of applicable European Directives, as amended for CE marking, as follows:

- 73/23/EEC; Low-Voltage Directive (safety)
- 89/336/EEC; Electromagnetic Compatibility Directive (EMC)



Note Refer to the Declaration of Conformity (DoC) for this product for any additional regulatory compliance information. To obtain the DoC for this product, visit ni.com/certification, search by model number or product line, and click the appropriate link in the Certification column.

Waste Electrical and Electronic Equipment (WEEE)



EU Customers At the end of their life cycle, all products *must* be sent to a WEEE recycling center. For more information about WEEE recycling centers and National Instruments WEEE initiatives, visit ni.com/environment/weee.htm.

Where to Go for Support

National Instruments corporate headquarters is located at 11500 North Mopac Expressway, Austin, Texas, 78759-3504. National Instruments also has offices located around the world to help address your support needs. For telephone support in the United States, create your service request at ni.com/support and follow the calling instructions or dial 512 795 8248. For telephone support outside the United States, contact your local branch office:

Australia 1800 300 800, Austria 43 662 457990-0,
Belgium 32 (0) 2 757 0020, Brazil 55 11 3262 3599,
Canada 800 433 3488, China 86 21 5050 9800,
Czech Republic 420 224 235 774, Denmark 45 45 76 26 00,
Finland 385 (0) 9 725 72511, France 01 57 66 24 24,
Germany 49 89 7413130, India 91 80 41190000, Israel 972 3 6393737,
Italy 39 02 413091, Japan 81 3 5472 2970, Korea 82 02 3451 3400,
Lebanon 961 (0) 1 33 28 28, Malaysia 1800 887710,
Mexico 01 800 010 0793, Netherlands 31 (0) 348 433 466,
New Zealand 0800 553 322, Norway 47 (0) 66 90 76 60,
Poland 48 22 3390150, Portugal 351 210 311 210, Russia 7 495 783 6851,
Singapore 1800 226 5886, Slovenia 386 3 425 42 00,
South Africa 27 0 11 805 8197, Spain 34 91 640 0085,
Sweden 46 (0) 8 587 895 00, Switzerland 41 56 2005151,
Taiwan 886 02 2377 2222, Thailand 662 278 6777,
Turkey 90 212 279 3031, United Kingdom 44 (0) 1635 523545

NI, National Instruments, NI, ni.com, and LabVIEW are trademarks of National Instruments Corporation. Refer to the *Terms of Use* section on ni.com/legal for more information about National Instruments trademarks. Other product and company names mentioned herein are trademarks or trade names of their respective companies. For patents covering National Instruments products, refer to the appropriate location: **Help»Patents** in your software, the `patents.txt` file on your CD, or ni.com/patents.