

## PL-T MASTER PL-T 2 Pin



### Product Description

- Energy saving compact fluorescent lamp
- Compact long-arc low-pressure mercury discharge lamp
- Envelope consists of 6 parallel narrow fluorescent tubes

### Product Features

- 2-pin base with a housing incorporating the lamp glow switch starter
- Fast light run up
- Philips invented bridge technology applied
- Dimming is not possible

### Product Benefits

- Optimal light performance for short or long operation per switch on

- Substantial more light (about 15% more) per light point than common
- Long life and sustainable light output

### Environment

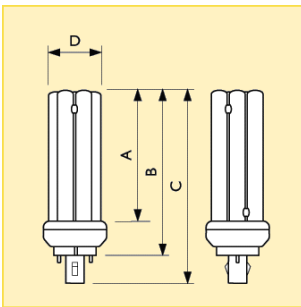
- Good environmental choice because of high energy efficiency, long life and low light output depreciation, lowest mercury content
- Compliant with all RoHS and WEEE requirements: the lamps have a very low content of mercury, are lead free and make no use of radioactive materials and hazardous flame retardants

### Application

- Designed for general or supplementary lighting in professional and semi-professional environments
- Ideal for use in recessed or surface mounted downlighters, wall units

### System

- For use with conventional electromagnetic ballast
- Radio interference suppression capacitor installed

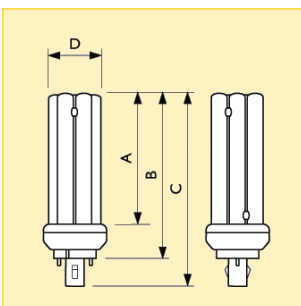


Dimensions (mm)

Dim. no.	A max.	B max.	C max.	D max.
1	66.7	91.0	114.2	41

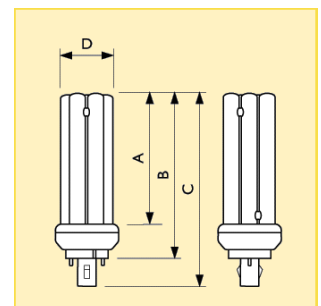
Type	Commercial product name			Cap/Base	Luminous Flux Lamp (lm)	Colour Rendering Index (Ra)	Energy Efficiency Label	Dim. no.	Photo letter	Ordering number
	Wattage/Colour designation	Packing type	Packing configuration							
MASTER PL-T	13W/827/2P	1CT	5X10BOX	GX24d-1	900	82	A	1	B	8711500... 559265 70
MASTER PL-T	13W/830/2P	1CT	5X10BOX	GX24d-1	900	82	A	1	B	272119 70
MASTER PL-T	13W/840/2P	1CT	5X10BOX	GX24d-1	900	82	A	1	B	559739 70
MASTER PL-T	18W/827/2P	1CT	5X10BOX	GX24d-2	1200	82	B	2	C	559791 70
MASTER PL-T	18W/830/2P	1CT	5X10BOX	GX24d-2	1200	82	B	2	C	610508 70
MASTER PL-T	18W/840/2P	1CT	5X10BOX	GX24d-2	1200	82	B	2	C	610614 70
MASTER PL-T	26W/827/2P	1CT	5X10BOX	GX24d-3	1800	82	B	3	A	559883 70
MASTER PL-T	26W/830/2P	1CT	5X10BOX	GX24d-3	1800	82	B	3	A	611024 70
MASTER PL-T	26W/840/2P	1CT	5X10BOX	GX24d-3	1800	82	B	3	A	611130 70

©20060912



Dimensions (mm)

Dim. no.	A max.	B max.	C max.	D max.
2	71.8	96.0	119.2	41



Dimensions (mm)

Dim. no.	A max.	B max.	C max.	D max.
3	86.7	111.0	134.2	41

## PL-T MASTER PL-T 2 Pin

### Additional technical data

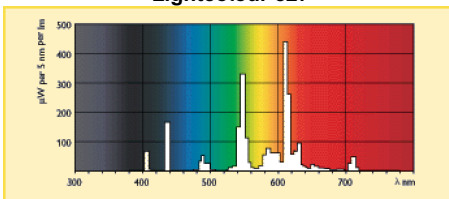
Product name	Colour Temperature (K)	Lamp Wattage EM (W)	Lamp Voltage EM (V)	Lamp Current EM (A)	Luminous Efficacy Lamp EM (lm/W)	Mercury (Hg) Content (mg)
MASTER PL-T 13W/827/2P	2700	13	91	0.175	69	1.4
MASTER PL-T 13W/830/2P	3000	13	91	0.175	69	1.4
MASTER PL-T 13W/840/2P	4000	13	91	0.175	69	1.4
MASTER PL-T 18W/827/2P	2700	18	100	0.220	67	1.4
MASTER PL-T 18W/830/2P	3000	18	100	0.220	67	1.4
MASTER PL-T 18W/840/2P	4000	18	100	0.220	67	1.4
MASTER PL-T 26W/827/2P	2700	26	105	0.325	69	1.4
MASTER PL-T 26W/830/2P	3000	26	105	0.325	69	1.4
MASTER PL-T 26W/840/2P	4000	26	105	0.325	69	1.4

### Logistic data

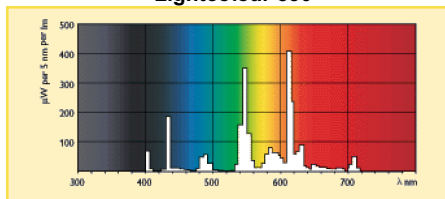
Product name	Packing type	Packing type description	Packs per outer box	Packing configuration	Quantity per pack	Packing length (mm)	Packing width (mm)	Packing height (mm)	Gross weight per piece (g)	Net weight per piece (g)
MASTER PL-T 13W/827/2P	1CT	1 Lamp in a Folding Carton	50	5X10BOX	1	571	273	141	86.2	58
MASTER PL-T 13W/830/2P	1CT	1 Lamp in a Folding Carton	50	5X10BOX	1	571	273	141	86.2	58
MASTER PL-T 13W/840/2P	1CT	1 Lamp in a Folding Carton	50	5X10BOX	1	571	273	141	86.2	58
MASTER PL-T 18W/827/2P	1CT	1 Lamp in a Folding Carton	50	5X10BOX	1	571	273	154	87.2	59
MASTER PL-T 18W/830/2P	1CT	1 Lamp in a Folding Carton	50	5X10BOX	1	571	273	154	87.2	59
MASTER PL-T 18W/840/2P	1CT	1 Lamp in a Folding Carton	50	5X10BOX	1	571	273	154	87.2	59
MASTER PL-T 26W/827/2P	1CT	1 Lamp in a Folding Carton	50	5X10BOX	1	571	273	177	96.3	66
MASTER PL-T 26W/830/2P	1CT	1 Lamp in a Folding Carton	50	5X10BOX	1	571	273	177	96.3	66
MASTER PL-T 26W/840/2P	1CT	1 Lamp in a Folding Carton	50	5X10BOX	1	571	273	177	96.3	66

### Spectral power distribution

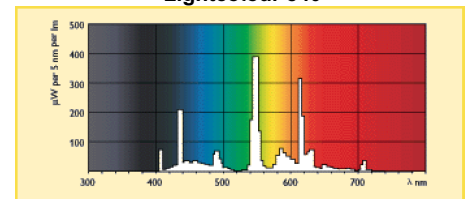
Lightcolour 827



Lightcolour 830

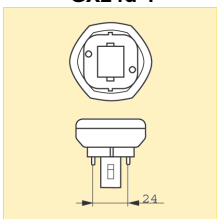


Lightcolour 840

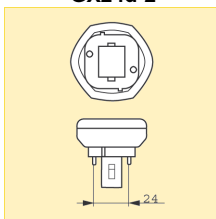


### Cap/Base

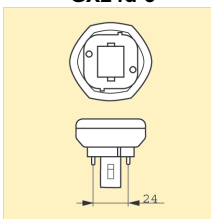
GX24d-1



GX24d-2



GX24d-3



### Additional extended technical data

Product name	Chromaticity Coordinate X	Chromaticity Coordinate Y	Colour Designation	Dimmable	Cap/Base Information
MASTER PL-T 13W/827/2P	455	417	Incandescent White	No	2P
MASTER PL-T 13W/830/2P	434	397	Warm White	No	2P
MASTER PL-T 13W/840/2P	380	379	Cool White	No	2P
MASTER PL-T 18W/827/2P	455	417	Incandescent White	No	2P
MASTER PL-T 18W/830/2P	434	397	Warm White	No	2P
MASTER PL-T 18W/840/2P	380	379	Cool White	No	2P
MASTER PL-T 26W/827/2P	455	417	Incandescent White	No	2P
MASTER PL-T 26W/830/2P	436	401	Warm White	No	2P
MASTER PL-T 26W/840/2P	380	379	Cool White	No	2P

## PL-T MASTER PL-T 2 Pin

### Special data

Product name	10NC	ILCOS	Life to 10% failures EM (h)	Life to 50% failures EM (h)
MASTER PL-T 13W/827/2P	9279 141 82700	FSM-13/27/1B-I-GX24d=1	6500	10000
MASTER PL-T 13W/830/2P	9279 141 83000	FSM-13/30/1B-I-GX24d=1	6500	10000
MASTER PL-T 13W/840/2P	9279 141 84000	FSM-13/40/1B-I-GX24d=1	6500	10000
MASTER PL-T 18W/827/2P	9279 143 82700	FSM-18/27/1B-I-GX24d=2	6500	10000
MASTER PL-T 18W/830/2P	9279 143 83000	FSM-18/30/1B-I-GX24d=2	6500	10000
MASTER PL-T 18W/840/2P	9279 143 84000	FSM-18/40/1B-I-GX24d=2	6500	10000
MASTER PL-T 26W/827/2P	9279 145 82700	FSM-26/27/1B-I-GX24d=3	6500	10000
MASTER PL-T 26W/830/2P	9279 145 83000	FSM-26/30/1B-I-GX24d=3	6500	10000
MASTER PL-T 26W/840/2P	9279 145 84000	FSM-26/40/1B-I-GX24d=3	6500	10000

Product name	Lumen Maintenance EM 2000h (%)	Lumen Maintenance EM 5000h (%)	Lumen Maintenance EM 10000h (%)	Additional Information	Execution
MASTER PL-T 13W/827/2P	92	85	79	Mercury	/2P
MASTER PL-T 13W/830/2P	92	85	79	Mercury	/2P
MASTER PL-T 13W/840/2P	92	85	79	Mercury	/2P
MASTER PL-T 18W/827/2P	92	85	79	Mercury	/2P
MASTER PL-T 18W/830/2P	92	85	79	Mercury	/2P
MASTER PL-T 18W/840/2P	92	85	79	Mercury	/2P
MASTER PL-T 26W/827/2P	92	85	79	Mercury	/2P
MASTER PL-T 26W/830/2P	92	85	79	Mercury	/2P
MASTER PL-T 26W/840/2P	92	85	79	Mercury	/2P