

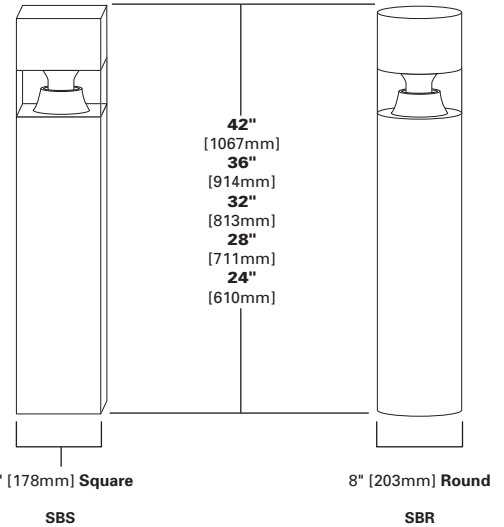
# SBS/SBR BOLLARD

PATHWAY LUMINAIRE

50-175W  
MH/HPS



STREETWORKS™



**TOP**

Rugged heavy-duty aluminum top provides rapid heat dissipation.

**LENS**

Impact-resistant clear acrylic lens measures 1/4" thick. Optional polycarbonate lens is available as an option (Standard on units over 100 watts).

**OPTICS**

Lower dispersing reflector combines with truncated octagonal upper collecting reflector to provide low-glare, efficient illumination with optimum uniformity.

**HOUSING**

Heavy-duty seamless extruded aluminum tube lifts off base for easy access to ballast. Finished in weather- and abrasion resistant polyester powder coat. Standard bronze finish. Other finishes available. Consult your Streetworks Representative.

**BALLAST**

Quick-disconnect ballast is located at base of housing for cooler operation and easy maintenance. Ballast assembly mounted on bracket and secured to base with two screws.

**BASE**

Rugged cast-aluminum base is completely sealed.

**ORDERING INFORMATION**

**SAMPLE NUMBER:** SBS100M12W366

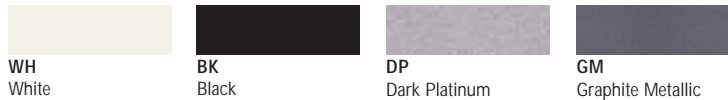
PRODUCT FAMILY	HOUSING SHAPE	LAMP WATTAGE <sup>1</sup>	LAMP TYPE	SOCKET	BALLAST	VOLTAGE <sup>2</sup>	FIXTURE HEIGHT	OPTIONS + ACCESSORIES (See Below)
SB=Bollard	S=Square R=Round	50=50W 70=70W 10=100W 15=150W 17=175W	M=Metal Halide S=High Pressure Sodium	1=Medium	1=NPF 2=HPF	2=120V 0=208V 4=240V 7=277V W=Multi-Tap wired 120V	24=24" 28=28" 32=32" 36=36" 42=42" (Standard)	

**OPTIONS + ACCESSORIES** [Must be listed in the order shown and separated by a dash]

- OPTIONS** (add as suffix)  
 1=Single Fuse (120, 277, or 347V)  
 2=Double Fused (208 or 240V)  
 AY=Asymmetric Distribution  
 RF=Reflector (Borosilicate Glass Refractor)  
 L=Lamp Included  
 BK=Black  
 WH=White  
 DP=Dark Platinum  
 GM=Graphite Metallic

- ACCESSORIES** (order separately)  
 LA2=Asymmetric Reflector  
 TRSD=8/32 Screwdriver for Tamper-Proof Retaining Screws

**OPTIONAL COLORS** [Standard color is bronze, other finish colors available. Consult your Cooper Lighting representative]



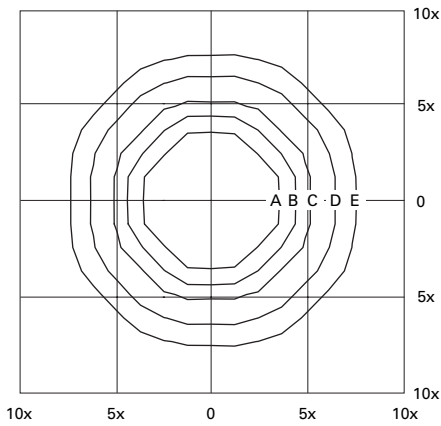
**SHIPPING DATA**

Approximate Net Weight:

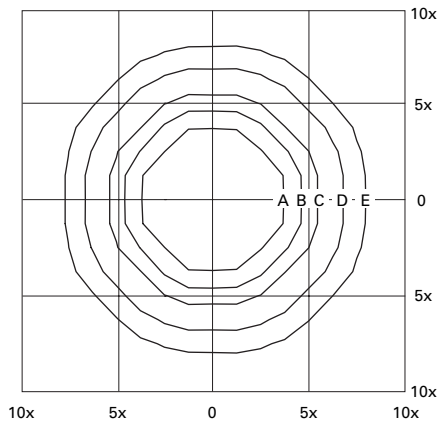
26 lbs. (12 kgs.)

**NOTES:** 1 All lamps are medium-base. 2 Refer to technical section for lamp/ballast/voltage compatibility.

PHOTOMETRICS [Complete IES files available at [www.cooperlighting.com](http://www.cooperlighting.com)]



**SBS10M.IES**  
100-Watt MH  
7,900-Lumen Lamp (Clear ED-17)



**SBS10S.IES**  
100-Watt HPS  
8,800-Lumen Clear Lamp (Clear ED-17)

**FOOTCANDLE TABLE**

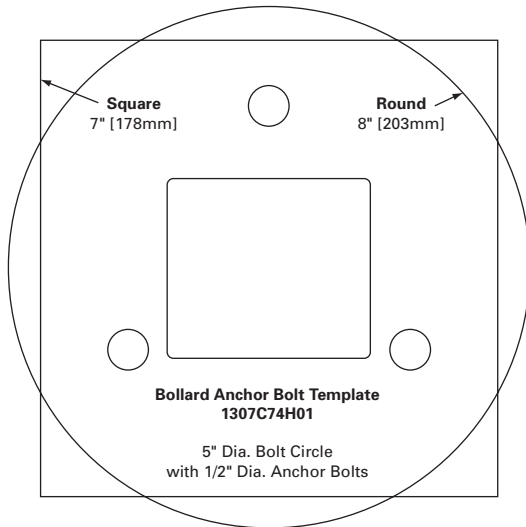
Select mounting height and read across for footcandle values of each isofootcandle line. Distance in units of mounting height.

Mounting Height	Footcandle Values for Isofootcandle Lines				
	A	B	C	D	E
<b>SBS10M.IES</b>					
42"	1.20	0.60	0.30	0.12	0.06
36"	2.00	1.00	0.50	0.20	0.10
32"	2.40	1.20	0.60	0.24	0.12
28"	3.20	1.60	0.80	0.32	0.16
24"	4.40	2.20	1.10	0.44	0.22

<b>SBS10S.IES</b>					
42"	1.20	0.60	0.30	0.12	0.06
36"	2.00	1.00	0.50	0.20	0.10
32"	2.40	1.20	0.60	0.24	0.12
28"	3.20	1.60	0.80	0.32	0.16
24"	4.40	2.20	1.10	0.44	0.22

**ANCHOR BOLT TEMPLATE** (Not to scale)

PART NUMBER: 1307C74H01



**Note:**  
Conduit must be inside of opening with a maximum height of 2 1/4" above concrete. Anchor bolt projection to be 1 1/2" minimum and 2 1/4" maximum above concrete.