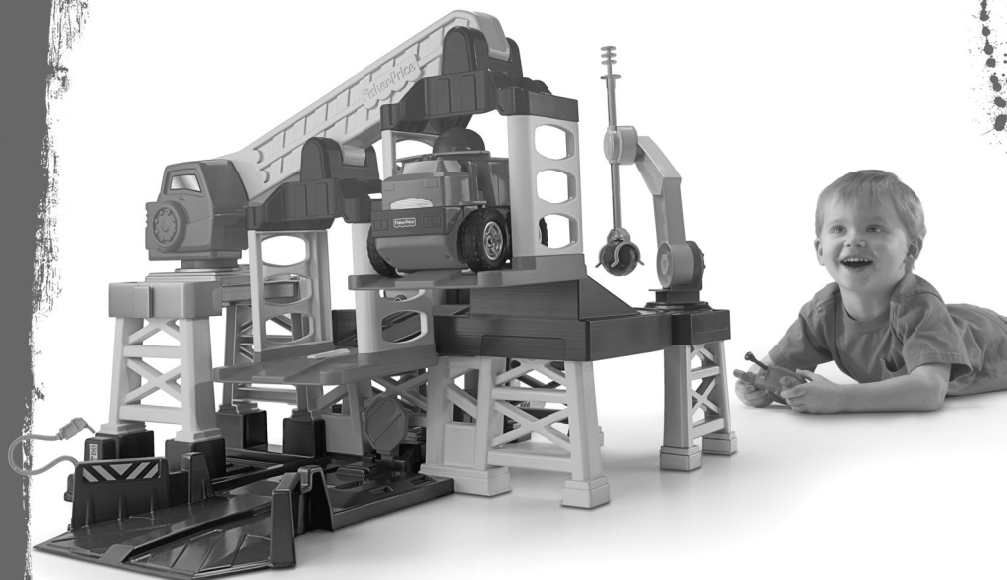


Fisher-Price®

V7310



Please keep this instruction sheet for future reference,
as it contains important information.

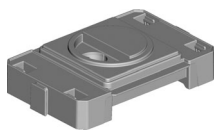
Requires three "AAA" (LR03) and three "AA" (LR6) **alkaline** batteries
for operation (batteries not included).

Adult assembly is required.

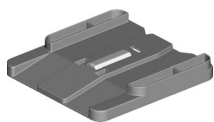
Required tool for battery installation: Phillips screwdriver.

www.fisher-price.com

ASSEMBLED PARTS



Tower Top



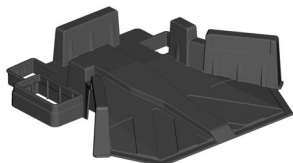
2 Elevator Floors



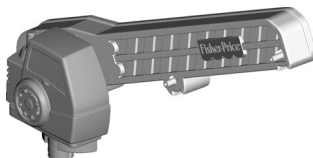
4 Elevator Walls



**4 Supports
(3 Gray and 1 Yellow)**



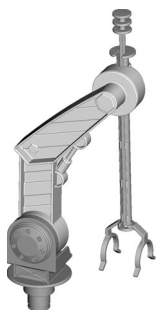
Ramp



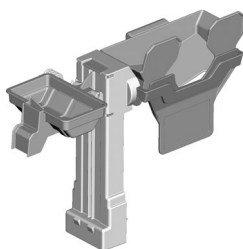
Elevator Crane



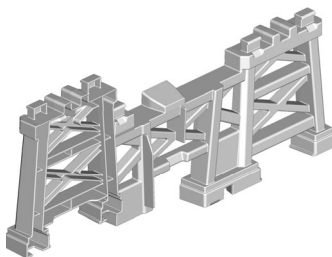
2 Elevator Roofs



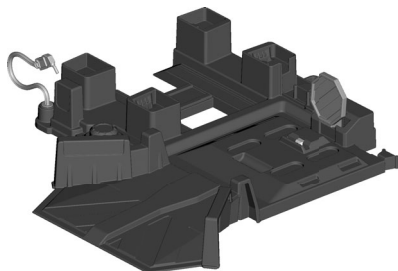
Boulder Crane



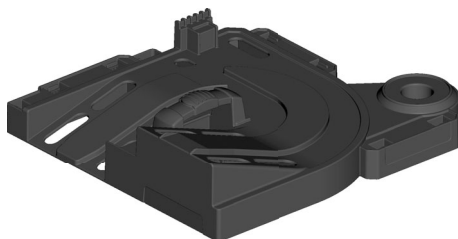
Boulder Hopper



Support Wall



Base



Track

BATTERY SAFETY INFORMATION

In exceptional circumstances, batteries may leak fluids that can cause a chemical burn injury or ruin your toy. To avoid battery leakage:

- Do not mix old and new batteries or batteries of different types: alkaline, standard (carbon-zinc) or rechargeable (nickel-cadmium).
- Insert batteries as indicated inside the battery compartment.
- Remove batteries during long periods of non-use. Always remove exhausted batteries from the toy. Dispose of batteries safely. Do not dispose of this product in a fire. The batteries inside may explode or leak.
- Never short-circuit the battery terminals.
- Use only batteries of the same or equivalent type, as recommended.
- Do not charge non-rechargeable batteries.
- Remove rechargeable batteries from the toy before charging.
- If removable, rechargeable batteries are used, they are only to be charged under adult supervision.

ICES-003

- This Class B digital apparatus complies with Canadian ICES-003.
- Operation is subject to the following two conditions: (1) this device may not cause harmful interference and (2) this device must accept any interference received, including interference that may cause undesired operation.

NMB-003

- Cet appareil numérique de la classe B est conforme à la norme NMB-003 du Canada.
- L'utilisation de ce dispositif est autorisée seulement aux conditions suivantes : (1) il ne doit pas produire de brouillage et (2) l'utilisateur du dispositif doit être prêt à accepter tout brouillage radioélectrique reçu, même si ce brouillage est susceptible de compromettre le fonctionnement du dispositif.



CONSUMER ASSISTANCE

1-800-432-5437 (US & Canada)
1300 135 312 (Australia)



service.fisher-price.com

Fisher-Price, Inc., 636 Girard Avenue, East Aurora, NY 14052.
Hearing-impaired consumers: 1-800-382-7470.

Outside the United States:

Canada: Mattel Canada Inc., 6155 Freemont Blvd.,
Mississauga, Ontario L5R 3W2; www.service.mattel.com.

Great Britain: Mattel UK Ltd, Vanwall Business Park,
Maidenhead SL6 4UB. Helpline: 01628 500303.
www.service.mattel.com/uk

Mattel Europa, B.V., Gondel 1, 1186 MJ Amstelveen, Nederland.

Australia: Mattel Australia Pty. Ltd., 658 Church Street,
Locked Bag #870, Richmond, Victoria 3121 Australia.

New Zealand: 16-18 William Pickering Drive,
Albany 1331, Auckland.

FCC Statement (United States Only)

This equipment has been tested and found to comply with the limits for a Class B digital device, pursuant to Part 15 of the FCC Rules. These limits are designed to provide reasonable protection against harmful interference in a residential installation. This equipment generates, uses and can radiate radio frequency energy and, if not installed and used in accordance with the instructions, may cause harmful interference to radio communications. However, there is no guarantee that interference will not occur in a particular installation. If this equipment does cause harmful interference to radio or television reception, which can be determined by turning the equipment off and on, the user is encouraged to try to correct the interference by one or more of the following measures:

- Reorient or relocate the receiving antenna.
- Increase the separation between the equipment and receiver.
- Consult the dealer or an experienced radio/TV technician for help.

Note: Changes or modifications not expressly approved by the manufacturer responsible for compliance could void the user's authority to operate the equipment. This device complies with Part 15 of the FCC Rules.

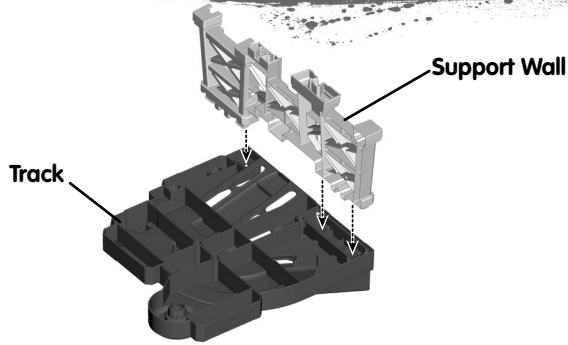
Operation is subject to the following two conditions: (1) This device may not cause harmful interference and (2) this device must accept any interference received, including interference that may cause undesired operation.

Fisher Price, Inc., a subsidiary of Mattel, Inc., East Aurora, NY 14052 U.S.A.
©2011 Mattel, Inc. All Rights Reserved. © and ™ designate U.S. trademarks of Mattel, Inc.

PRINTED IN MEXICO

V7310pr-0920

ASSEMBLY



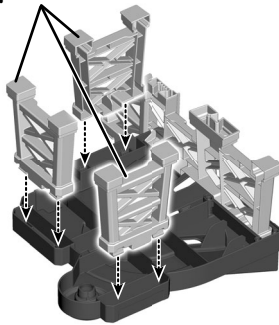
1

BOTTOM VIEW

- Fit the support wall into the sockets in the track, as shown. Push to **“snap”** in place.

Hint: The support wall is designed to fit into the slots one way. If it does not seem to fit, turn it around and try again!

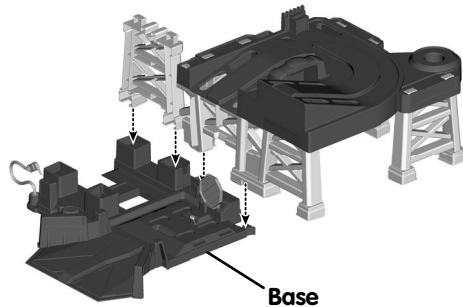
3 Gray Supports



2

- Fit three the gray supports into the sockets in the bottom of the track. Push to **“snap”** each in place.

Hint: The supports are designed to fit into the sockets one way. If a support does not seem to fit, try fitting it into a different socket!

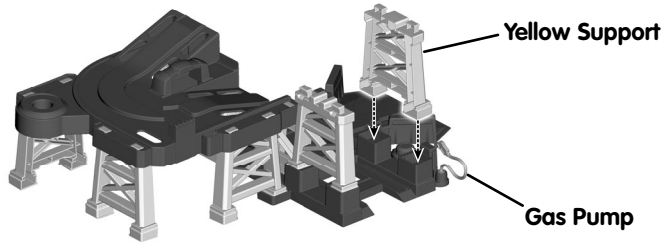


3

- Turn the track assembly upright.
- Fit the support wall on the track assembly into the sockets in the base, as shown.
- Push to **“snap”** in place.

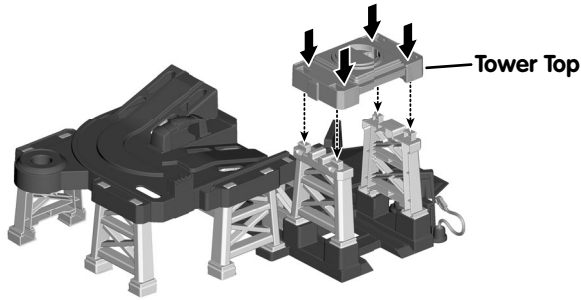
ASSEMBLY

4



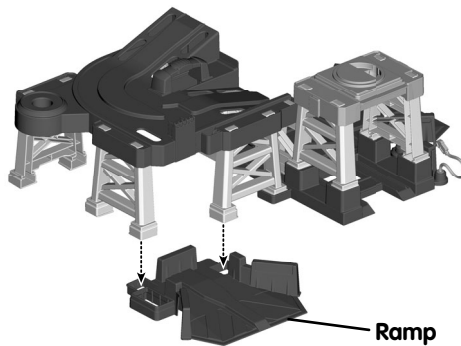
- Turn the assembly around so that the gas pump is facing you.
- Fit the yellow support into the sockets in the base. Push to **“snap”** in place.

5



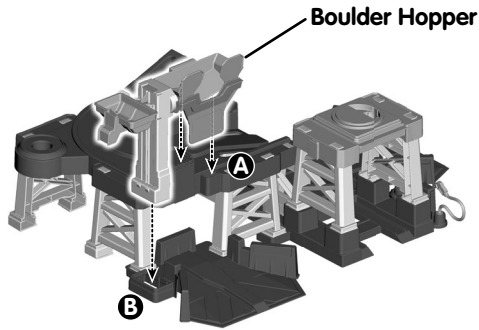
- Fit the tower top onto the supports. Push near each of the four corners to **“snap”** in place.
- Hint: The tower top is designed to fit on the supports one way. If it does not seem to fit, turn it around and try again!*

6

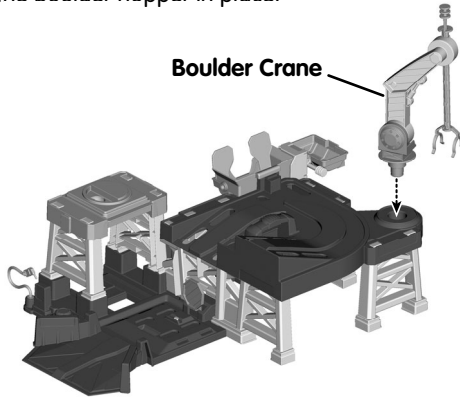


- Fit the supports on the assembly into the sockets in the ramp, as shown. Push to **“snap”** in place.

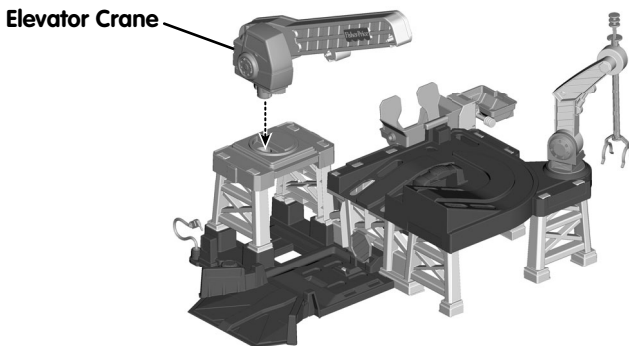
ASSEMBLY



- First, fit the tabs on the top of the boulder hopper onto the grooves in the track **A**.
- Next, fit the hopper base into the slot in the ramp **B**.
- Then, push to **“snap”** the boulder hopper in place.

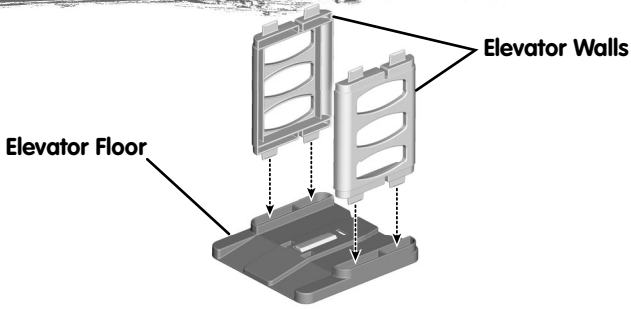


- Turn the assembly around so that the gas pump faces away from you.
- Fit the base of the boulder crane into the socket in the track, as shown. Push to **“snap”** in place.



- Fit the base of the elevator crane into the socket in the tower top. Push to **“snap”** in place.
- Hint: This may require some force.*

ASSEMBLY

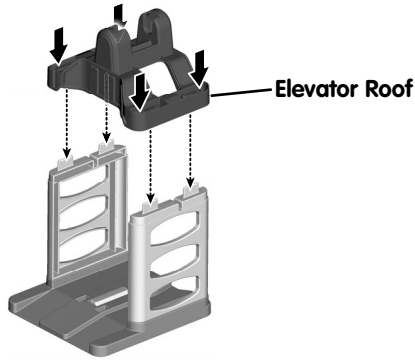


10

- Fit two elevator walls into the slots in an elevator floor.

Hint: The elevator walls are designed to fit into the elevator floor one way. If they do not seem to fit, turn them over and try again!

- Push to “snap” each in place.

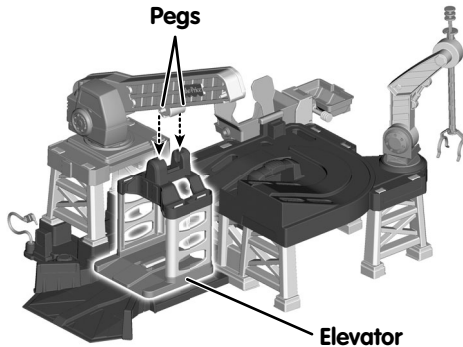


11

- Fit an elevator roof onto the elevator walls. Push near each of the four corners to “snap” in place.

Hint: The elevator roof is designed to fit onto the walls one way. If it does not seem to fit, turn it around and try again!

- Repeat this procedure to assemble the other elevator.



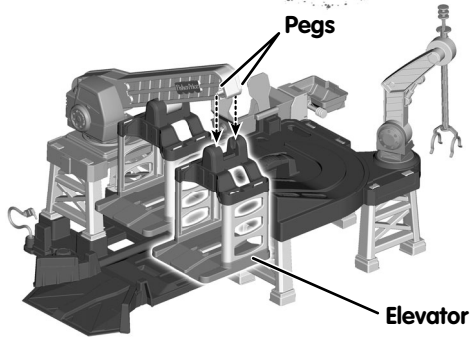
12

- Fit the center pegs on the elevator crane into the grooves in an elevator. Push to “snap” the elevator in place.

Hint: The elevator is designed to fit on the elevator crane one way. If it does not seem to fit, turn it around and try again!

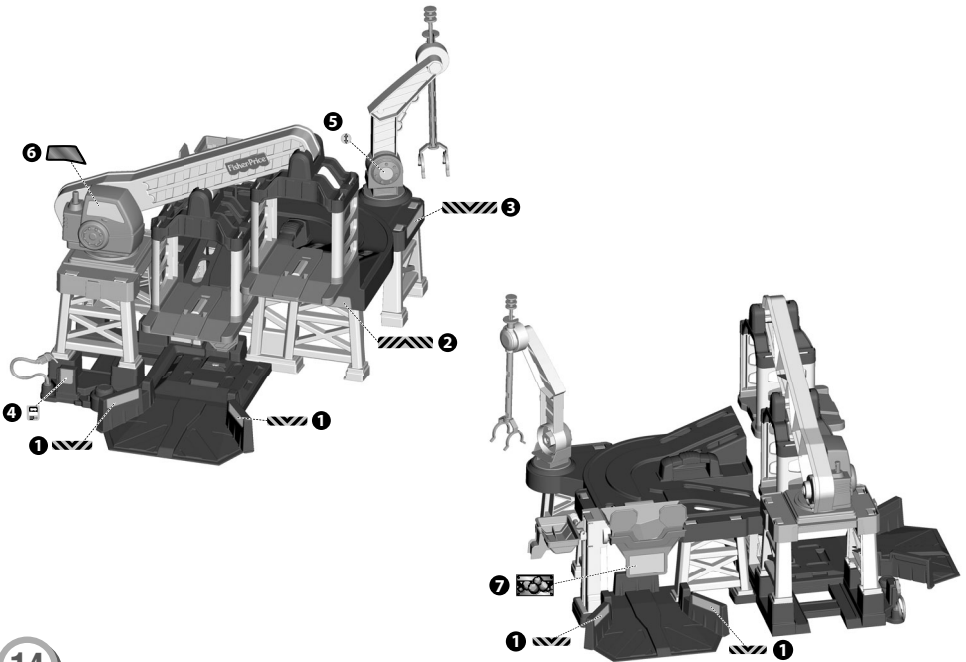
ASSEMBLY

13



- Fit the pegs on the end of the elevator crane into the grooves in the other elevator. Push to “snap” in place.

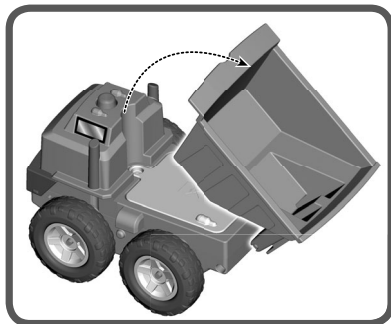
Hint: The elevator is designed to fit on the elevator crane one way. If it does not seem to fit, turn it around and try again!



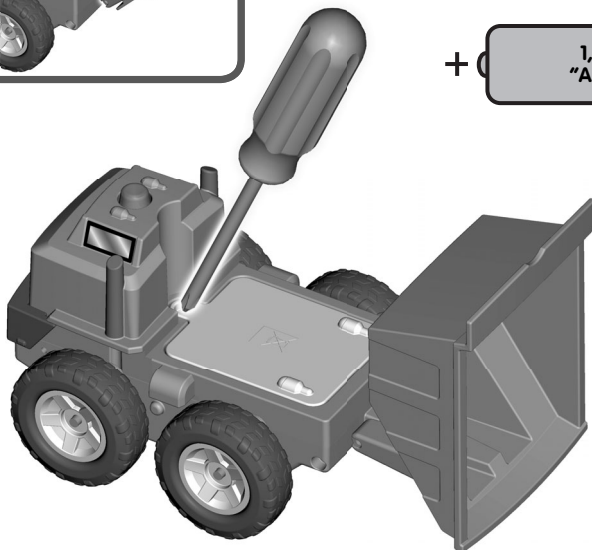
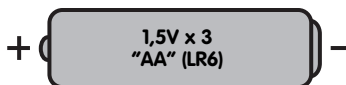
14

- Before applying the labels, wipe the surface with a clean, dry cloth to remove any dust or oils.
- Place the labels exactly as shown in the illustration and avoid repositioning the labels.
- After applying a label, rub it firmly with a clean dry cloth, starting at the center, to remove any air bubbles.

BATTERY INSTALLATION



Hint: We recommend using **alkaline** batteries for longer battery life.

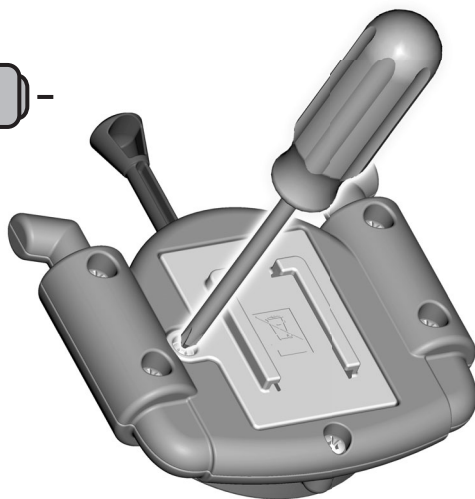
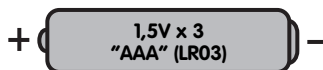


Truck

- Lift the truck bed to access the battery compartment.
- Loosen the screw in the battery compartment door with a Phillips screwdriver. Remove the door.
- Insert three "AA" (LR6) **alkaline** batteries.
- Replace the battery compartment door and tighten the screw. Do not over-tighten.
- If the vehicle begins to operate erratically, you may need to reset the electronics. Remove the batteries and re-install.

Hint: Under normal use conditions, the batteries in the vehicle will require replacement more often than the batteries in the remote control.

BATTERY INSTALLATION



Remote Control

- Locate the battery compartment on the back of the remote control.
- Loosen the screw in the battery compartment door with a Phillips screwdriver. Remove door.
- Insert three "AAA" (LR03) **alkaline** batteries.
- Replace the battery compartment door and tighten the screw. Do not over-tighten.
- If the remote control begins to operate erratically, you may need to reset the electronics. Remove the batteries and re-install.



- Protect the environment by not disposing of this product with household waste (2002/96/EC). Check your local authority for recycling advice and facilities (Europe only).

COLOR CONTROL STEERING



- Press the power button on top of the truck. The ready light turns on.
- Hold the remote control so the buttons are facing you and the antenna points towards the truck.
- Press the buttons to move the truck forward, backward, left or right. Match the colors on the remote control buttons with colors on the truck to move the truck in the direction you'd like to go!

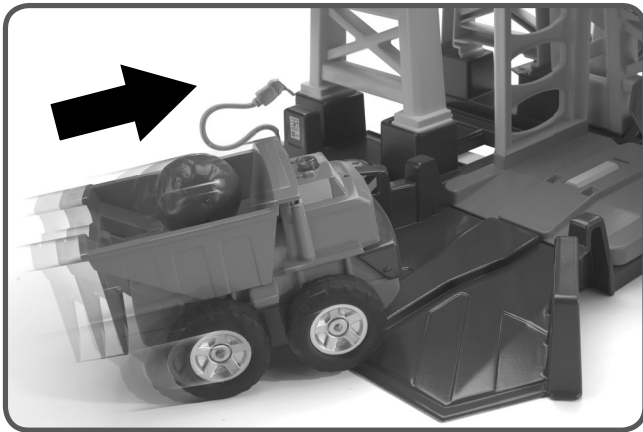
Hints:

- We do not recommend using the vehicle outside in sand and grass. For best performance, use on a hard, flat surface indoors.
- After several minutes, if the truck hasn't received a signal from the remote control, it will go into "sleep" mode. Simply press the truck power button and a remote control button to restart.

BIG ACTION™



- Drive the truck onto the elevator and watch it go up and down!

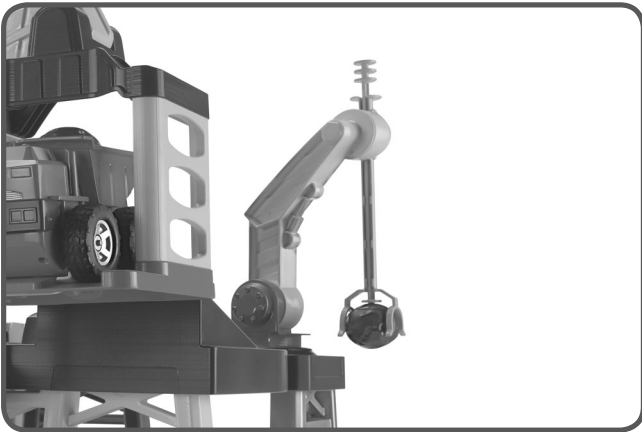


- Drive the truck on to the the EZ Guide Ramps™

BIG ACTION™



- Back the truck up to the boulder hopper to load boulders!

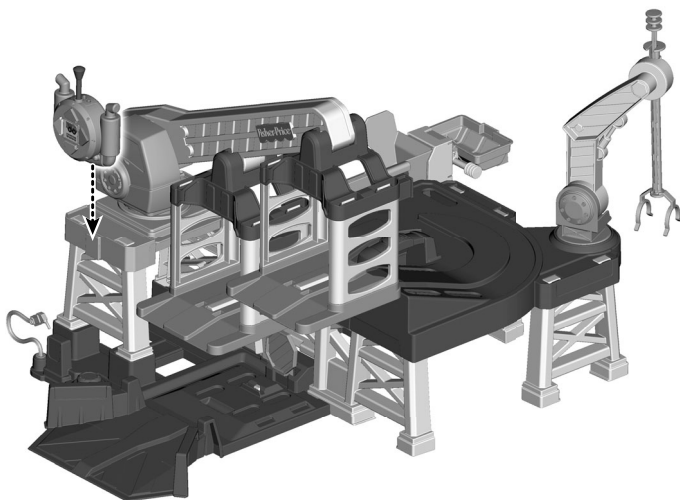


- Grab boulders with the crane plunger!

TROUBLESHOOTING

PROBLEM	SOLUTION
Truck drives slowly	<p>Battery power in the truck may be weak. Replace all three batteries in the truck with new alkaline batteries.</p> <p>The wheels on the truck may be dirty. Wipe them with a clean cloth.</p>
Truck does not respond to the remote control	<p>Battery power in the remote control may be weak.</p> <p>Replace all three batteries in the remote control with new alkaline batteries.</p> <p>You may be beyond the maximum range of the remote control, which is about 10 feet (3 m).</p> <p>You may not have a clear path between the remote control and the truck. This toy works best when there are no obstructions between the truck and the remote control.</p> <p>Bright sunlight or fluorescent lights may affect the range of the remote control. Try dimming the room you are playing in.</p> <p>The truck may have shut off. If you do not operate the remote control for a few minutes, the truck shuts off automatically and the ready light turns off. Press the power button on the truck and press a button on the remote control to restart.</p>

STORAGE



-
- Slide the remote onto the tab by the crane for storage.
 - All other pieces easily store inside the playset!

CARE

- Wipe this toy with a clean cloth dampened with a mild soap and water solution. Do not immerse this toy.
- This toy has no consumer serviceable parts. Do not take this toy apart.