

**Installation Guide**

# **Avaya P114F**

**STACKABLE SWITCH**



## Important information

---

### SAFETY PRECAUTIONS

#### **CAUTION – TO REDUCE THE RISK OF ELECTRIC SHOCK AND FIRE**

1. All servicing should be undertaken **ONLY** by qualified personnel. The parts inside the unit **CANNOT** be serviced or repaired by the end user. Please call your service representative for assistance.
2. Do **NOT** plug in, turn on or attempt to operate a damaged unit.
3. Ensure that the chassis ventilation slots in the unit are **NOT BLOCKED**.
4. Replace a “blown” fuse only with the same type and rating as is marked on the safety label adjacent to the power inlet housing the fuse.
5. **DO NOT** operate the unit in a location where the maximum ambient temperature exceeds 50°C.
6. Be sure to unplug the power supply cord from the wall socket **BEFORE** attempting to remove and/or check the main power fuse.

### PRECAUTIONS DE SECURITÉ

#### **AVERTISSEMENT – POUR RÉDUIRE LE RISQUE DE CHOC ÉLECTRIQUE ET D’INCENDIE**

1. Tout entretien doit être fait **UNIQUEMENT** par un personnel de service qualifié. Aucun élément ne peut être réparé par un particulier.
2. **NE PAS** brancher, allumer ou essayer de faire fonctionner une unité sur laquelle un doute existe quant à son bon fonctionnement.
3. S’assurer que les ouvertures d’aération du châssis dans l’appareil **NE SONT PAS OBSTRUEES**.
4. Remplacer un fusible défaillant **UNIQUEMENT** par un modèle du même type suivant les recommandations indiquées sur l’étiquette de sécurité posée dans le logement du fusible.
5. **NE PAS** faire fonctionner l’appareil dans un endroit où la température dépasse les 50°C.
6. S’assurer de débrancher l’alimentation électrique **AVANT** toute manipulation sur le fusible principal.

### SICHERHEITSVORKEHRUNG

#### **ACHTUNG – ZUR VERHINDERUNG DES RISIKOS VON ELEKTRISCHEM SCHLAG UND FEUER**

1. Die Geräte enthalten keine Bauteile, die außerhalb des Avaya Servicezentrums gewartet oder repariert werden können. Die Wartung darf **NUR** von qualifiziertem, technischem Personal durchgeführt werden.
2. **NIEMALS** ein beschädigtes Gerät einschalten, oder versuchen es zu bedienen.
3. Vergewissern Sie sich, dass die Chassis Ventilationsöffnungen des Gerätes **NICHT BLOCKIERT** sind.

4. Austauschen einer durchgebrannten Sicherung NUR mit der gleichen Sorte und Belastbarkeit wie sie auf der Sicherheitsaufschrift markiert ist. Die Aufschrift befindet sich neben der Stromzufuhr wo sich auch der Sicherungskasten befindet.
5. Bedienen Sie das Gerät NICHT an einer Stelle an der die Umgebungstemperatur 50°C übersteigt.
6. Ziehen Sie das Netzkabel raus, BEVOR Sie versuchen die Hauptsicherung zu kontrollieren oder auszutauschen.

## Overview

---

This guide is divided into two sections:

- Overview: A general description of the features of the Avaya P114F Stackable Switch.
- Installation: Instructions for getting the P114F Stackable Switch and P110 stack up and running, rack mounting, and a description of its front panel indicators.

## Description

The P114F is part of the P110 Switching System family of switches. The P110 family is composed of high-performance switches which may be used singly or stacked in any combination to make up a multi-protocol, non-blocking, scaleable switch.

The P114F is a backbone switch with 8 Fast Ethernet (100BASE-FX) ports. The switch can be used as a collapsed backbone, to link to P113F units in workgroup P110 stacks. The 100 Mbps ports can also be used for server connections in noisy environments, remote high performance workstations (2 km link lengths are possible in Full Duplex), or to link to another P114F.

The P114F can operate standalone or as part of a stack. A stack requires a P110 NMA to link the switches. The units are physically linked using the P110 Exoplane, which makes up a multi-gigabit, non-blocking backplane. Any combination of two, three or four P110 switches can be stacked, and up to 32,000 MAC addresses per stack are supported.

All ports can run at full or half duplex. The P114F ports can use Avaya's flow control mechanism to eliminate packet loss. An automatic fairness mechanism ensures that all ports gain fair access to the P110 Exoplane even at very high network utilization. Congestion management works both on full and half duplex ports, and ensures no packet loss should the buffers become saturated during peak load conditions.

An enhanced link status indication may be obtained via Far End Fault Indication (FEFI). A redundant power supply (P110 BUPS) may be used for additional fault tolerance.

P110 switches are fully manageable using CajunView or MSNM, and may be monitored using the SMON Manager Switch Monitoring Application.



# Installation

---

The procedure for getting the P114F up and running depends on whether the switch is to operate standalone or as part of a stack.

First, attach the adhesive rubber feet to the base of the P110 switch. If the switch is to be rack mounted, do not attach the feet.

## Standalone Operation - Plug 'n' Play

Getting the P110 switch working is quick and easy:

1. Connect the power cable to the switch.
2. Connect the cables to the front panel ports.

The switch is now fully operational. By default, all ports will operate in half duplex mode.

To ensure proper ventilation, ensure that the P110 NMA slot is closed.

# Stacking Operation

To make the P114F work as part of a stack (and to give SNMP management capabilities to a single P114F), a P110 NMA with the correct software version is required. See the P114F Stackable Switch Release Notes for the required version.

You should make sure the P110 NMA has the latest agent software. To check what software version you have, see the agent configuration window in CajunView, MSNM, or see the setup main menu of the P110 NMA.

1. Before adding a switch to the P110 stack, turn off the main power to the stack, by individually switching off each switch
2. Place the P110 NMA in the top switch of the stack.
3. If the P110 NMA contains the latest software version, go to step 4.

If the P110 NMA does not contain the latest agent software, you should perform a software download of the latest version. The latest software is always shipped with the P110 NMA. See the P110 NMA Read Me First document for details.

Download is performed via TFTP using a Terminal console or via the timed Download application from your management station— details can be found in the P110 NMA installation Guide.

- ⓘ Before you download the new P110 NMA software, please note that when upgrading from P110 NMA version 8.0 or below to 8.1 or higher, all port configuration parameter settings will be lost. The following parameters will be set back to the factory defaults:

- In the P114T the **Port Speed** (10/100 Mbps) parameter will be set to **100 Mbps**.
- The **Port Mode** (Half/Full Duplex) parameter, will be set to **Half Duplex**.
- **Redundancy** in the P113F will be set to **OFF**.
- The **Auto Sense (Auto-negotiation)** process, where available, will be set to **Disabled**.
- **All ports** will lose their VLAN assignment and will be reassigned to Generic VLAN.
- The **Administration Status** of all P110 switches will be **Enabled**. In order to avoid any possible loops, any **port** that you **disabled** using the management software must be physically disconnected before software download. Once you have downloaded the new software, set the port to disabled again and then reconnect the cable.

4. Place the P114F in the stack. The P110 NMA must be in the top switch of the stack.

To ensure proper ventilation, ensure that all empty P110 NMA slots in the stack are closed.

5. Connect P110 switches using the supplied P110 Exoplane cables, as shown in Figure 1. A switch connects to its upper neighbor through two Exoplane cable, and to its lower neighbor through another two Exoplane cables.

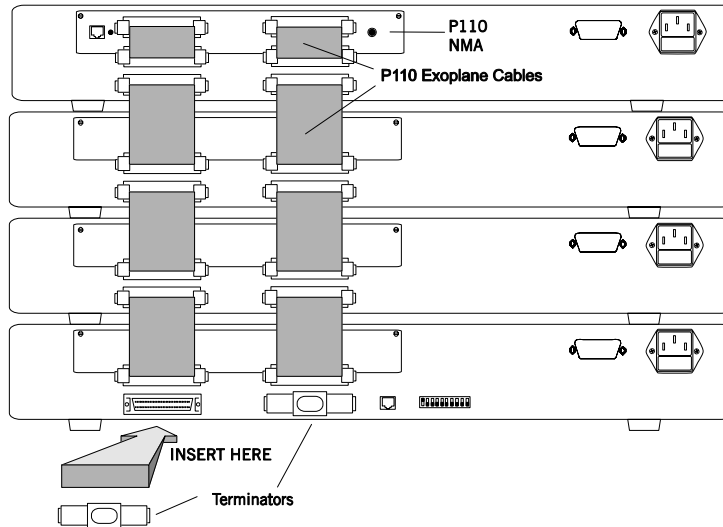


- ① Make sure that the P110 Exoplane cables are correctly seated by gently exerting pressure on the back of the connector.

### Cabling Requirements:

- For correct operation, the P110 Exoplane must be fully connected, with all units powered up. In case units are stacked, the P110 NMA **must** be installed and connected to the P110 Exoplane.  
Failure to observe this requirement will cause the units to block all traffic on attached stations and segments.
- When using the P114T or P114F in the stack, make sure all switches in the stack are connected using P110 Exoplane cables with white connectors and marked C/S:B (part number 108362203). Extra cables can be ordered from your local Avaya representative.

Figure 1 Rear view of a P110 switch stack, showing how the switches are linked via the P110 Exoplane cables. A P110 NMA resides in the uppermost switch.



6. Two terminators are supplied with the P110 NMA. Insert the two terminators into the lowest two connectors at the bottom of the stack, as shown in Figure 1.
7. Turn on the mains power to the stack, by individually switching on each switch.
8. Connect the fiber-optic cables to the front panel ports.

### Notes:

- If the P110 NMA in the stack contains the correct software version (as specified in the P114F Stackable Switch Release Note) or higher, the stack is now fully operational.

- When a new version of the P110 NMA software becomes available, you should perform software download to benefit from the extra capabilities provided. See the P110 NMA Installation Guide for details.

## Rack Mounting

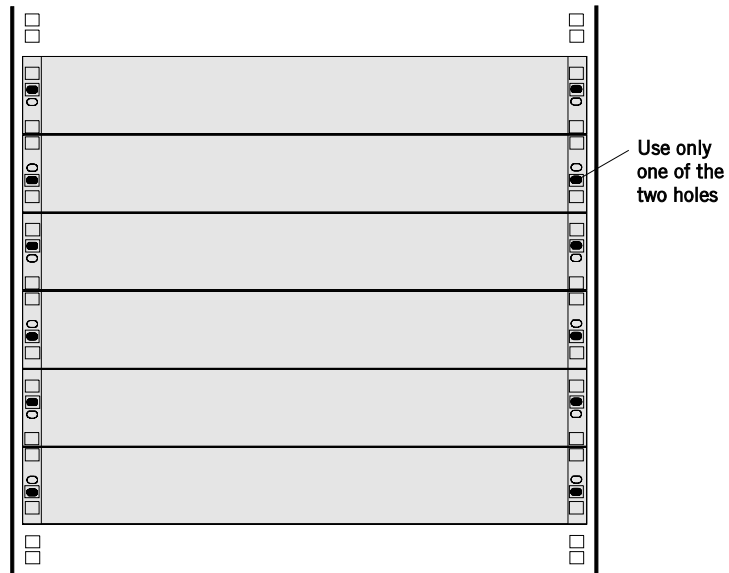
P110 switches slot into a standard 19-inch rack.

Remove the rubber feet from the base of any switch that is to be rack mounted.

Place the switches in the rack, and then connect the P110 Exoplane, as follows:

1. Snap open the ends of the front panel to reveal the fixing holes.
2. Slot the switch into the rack. Insert the switches into the rack so that the switches in a logical stack lie directly on top of each other. Ensure that the P110 screw holes are aligned with the rack hole positions exactly as shown in Figure 3. Stacking them in this way will allow the switches to be easily connected using the P110 Exoplane cables.
3. Secure the switch in the rack using the screws. Use one screw on each side. Do not overtighten the screws to avoid damaging the plastic.
4. Connect the P110 Exoplane cables, as described above, and as illustrated in Figure 1.
5. Snap closed the hinged ends of the front panel.

Figure 2 P110 rack mounting arrangement



**Key**

- Hole in rack
- Screw hole in P110
- Screw position

# Diagnostics

Table 1 and Table 2 explain the meaning of the P114F Stackable Switch diagnostic LED indicators.

Figure 3 The P114F Stackable Switch Front Panel LEDs and Buttons

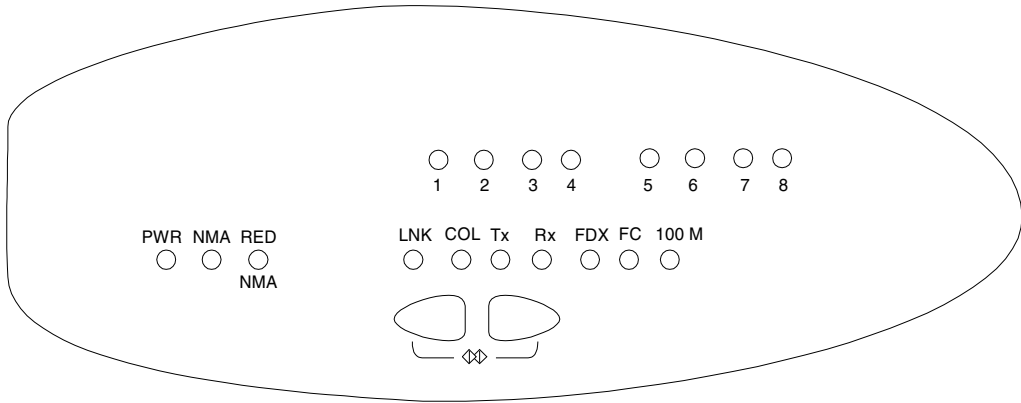


Table 1 Meaning of the P114F Stackable Switch Front Panel Buttons

Button	Function	Meaning
	Select	<p>The buttons determine what function will be displayed by the 8 Port LEDs (the top row of LEDs).</p> <p>The seven Function LEDs (above the Select buttons) show which function is currently displayed by the Port LEDs. The Port LEDs can display either Link, Collision, Transmit, Receive, Full Duplex, Flow Control or 100 M status.</p> <p>If, for example, the Link (LNK) LED is lit then LEDs 1 to 8 will display the Link status of every port.</p> <p>Press the left or right button to toggle the Port LED display between functions.</p>
	Reset	<p>Press Reset to return a malfunctioning switch to proper operation.</p> <p>Press and hold both buttons simultaneously for a second or more to reset the <i>entire</i> P110 stack. Upon Reset, all LED indicators turn on. Pressing Reset does not affect configuration settings.</p>

Table 2 Meaning of the P114F Stackable Switch front panel LEDs

LED Indicator	Function	Status	Meaning	
PWR	Power	OFF ON Blink	Mains power not connected Mains power connected Working on back-up power supply	
NMA	Agent	OFF ON	No agent in switch Switch contains an active agent	
RED NMA	Reserved for future use			
Port LEDs	1 to 8	Each LED can display one of the following functions: Link, Collision, Transmit, Receive, Full Duplex, Flow Control or 100 M states, depending on what has been selected using the Select buttons.		
Function LED		Port LED		
	LNK	Link status	OFF ON Blink once Blink twice	Port Disabled Port is enabled and link is OK Link Test Fail. Partition.
	COL	Collision	OFF ON	No Collision Collision occurred on line
	Tx	Transmit to line	OFF ON	No activity Data transmitted
	Rx	Receive from line	OFF ON	No activity Data Received
	FDX	Half/Full duplex*	OFF ON	Port in Half Duplex mode Port in Full Duplex mode
	FC	Flow control*	OFF ON	Flow Control Inactive Flow Control Active
	100 M	Port speed	OFF ON	(Not applicable) 100 Mbps

\*Half/Full duplex and Flow control are set via management.

© 2003 Avaya Inc. All rights reserved.

All trademarks identified by the ® or TM are registered trademarks or trademarks, respectively, of Avaya Inc. All other trademarks are the property of their respective owners.

Document number: 130006 Rev. A