

COOPER LIGHTING - LUMARK®

DESCRIPTION

The Lumark Falcon is a stylish and rugged luminaire that combines value and performance with a soft, architecturally appealing form. This soft rounded corner, die-cast construction is excellent for applications that have a high visibility and where a uniform beam distribution is desired.

The Falcon floodlight can be wall or pole mounted, making it ideal for all commercial, industrial and residential low wattage floodlighting applications.

Catalog #		Type
Project		
Comments		Date
Prepared by		

SPECIFICATION FEATURES

A ... Door + Latch

Tempered glass lens is impact and thermal shock resistant. Easily released die-cast aluminum doorframe with stainless steel toolless latch allows easy access for re-lamping. Enclosure latch can be secured with a single point stainless steel screw, provided, or with optional vandal resistant head.

B ... Housing

Die-cast aluminum housing is finished in weather and abrasion resistant dark bronze polyester powder paint. Optional colors are available.

C ... Gasket

Full-circumference silicone gasket seals out external contaminants.

D ... Socket

Pulse rated, 4KV, medium-base porcelain lamp socket standard for HID. Electronic compact 4-pin fluorescent sockets standard for CF lamp options.

E ... Reflector

Formed aluminum hammered reflector optimized beam efficiency and control.

F ... Mounting

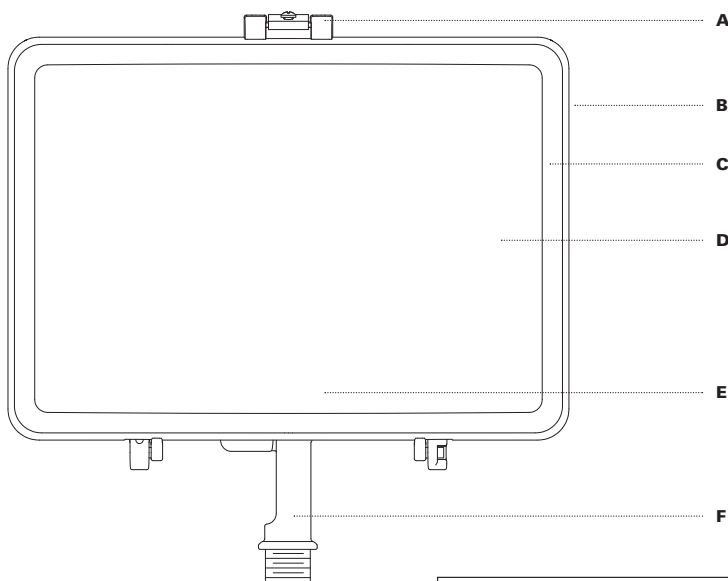
Adjustable ANSI 1G rated stem mounting arm fits 1/2" NPS outlet box cover. (RBC round outlet box cover not included, order separately). Optional heavy-gauge steel adjustable trunnion mounting provides additional durability when required.



SF FALCON

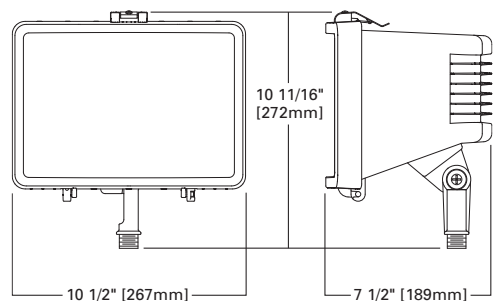
35 - 175W
High Pressure Sodium
Metal Halide
26 - 70W
Compact Fluorescent

LOW WATTAGE FLOODLIGHT

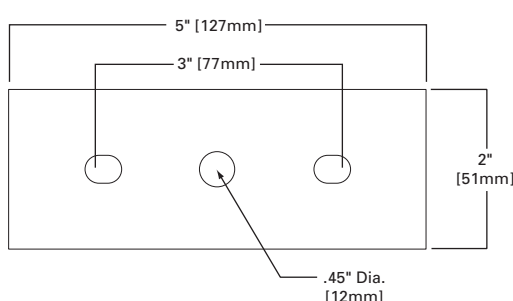


LAMP TYPE	WATTAGE
Metal Halide	50, 70, 100, 175W
High Pressure Sodium	35, 50, 70, 100, 150W
Compact Fluorescent	26, 32, 42, (2) 26, 57, 60, (2) 32, 70W

DIMENSIONS



TRUNNION-MOUNT DRILLING DIMENSIONS



TECHNICAL DATA

UL1598 Listed; IP66 Rating
25°C Maximum Ambient Temperature
External Supply Wiring 60°C Minimum

ENERGY DATA

Reactor Ballast Input Watts
35W HPS NPF/HPF (46 Watts)
50W HPS NPF/HPF (58 Watts)
70W HPS NPF/HPF (82 Watts)
100W HPS NPF/HPF (115 Watts)
150W HPS NPF/HPF (170 Watts)

High Reactance Ballast Input Watts
50W HPS HPF (66 Watts)
50W MH HPF (72 Watts)
70W HPS HPF (91 Watts)
70W MH HPF (90 Watts)
100W HPS HPF (130 Watts)
100W MH HPF (129 Watts)
150W HPS HPF (188 Watts)

CWA Ballast Input Watts
175W MH HPF (210 Watts)

Electronic Ballast Input Watts
26W CF HPF (29 Watts)
32W CF HPF (36 Watts)
42W CF HPF (46 Watts)
52W CF HPF (54 Watts)
57W CF HPF (59 Watts)
60W CF HPF (70 Watts)
64W CF HPF (68 Watts)
70W CF HPF (75 Watts)

SHIPPING DATA

Approximate Net Weight:
18 lbs. (8 kgs.)



ORDERING INFORMATION

Sample Number: MHSF-T-100-240V-FF-TR-PE-GN-LL



Lamp Type

MP= Pulse Start Metal Halide
 HP= High Pressure Sodium
 MH= Metal Halide
 CF= Compact Fluorescent

Series

SF=Falcon

Notes:

- 1 All HID lamps are medium-base.
- 2 High Pressure Sodium only.
- 3 120V Only.
- 4 MH with HPF CWA only.
- 5 Products also available in non-US voltages and 50HZ for international markets.
- 6 Reactor ballasts used for HP lamps when specified.
- 7 Not available in Canada.
- 8 Canada only.
- 9 Compact Fluorescent only.
- 10 Add as suffix in the order shown.
- 11 100W Metal Halide maximum.
- 12 Order separately, replace XX with color specification.

Mounting

T= Trunnion
 K= Knuckle

Lamp Wattage

MP	HP
150=150W ²	35=35W ^{2,3}
MH	50=50W
50=50W	70=70W
70=70W	100=100W
100=100W	150=150W
175=175W ⁴	CF
	26=(1) 26W
	32=(1) 32W
	42=(1) 42W
	26=(2) 26W
	57=(1) 57W
	60=(1) 60W
	32=(2) 32W
	70=(1) 70W

Ballast

H= High Power Factor
 _= Normal Power Factor

Voltage⁵

120V = 120V⁶
 208V = 208V⁷
 240V = 240V⁷
 277V = 277V
 347V = 347V
 480V = 480V
 DT= Dual-Tap
 MT= Multi-Tap, wired 277V
 TT= Triple-Tap, wired 347V⁸
 E= Electronic (120-277V)⁹

Options¹⁰

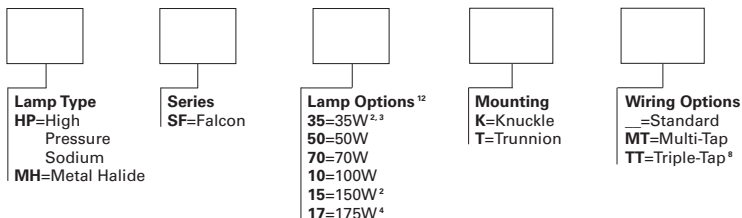
LL= Lamp Included (Must Specify Wattage with Fluorescent)
 TR= Tamper Resistant Screws
 PE= Internal Photocontrol (Specify Voltage)
 PC= Button Type Photocontrol
 F= Single Fuse (120, 277 or 11 347V. Specify Voltage)
 FF= Double Fuse (208, 240 or 11 480V. Specify Voltage)

Accessories¹²

TYS-XX = Trunnion or Yoke Slipfitter for 2 3/8", 3", or 3 1/2" O.D. Tenon
 FA5XX = 2" Slipfitter for Trunnion Fixture
 RABXX = Right Angle Pipe Bracket for Slipfitter
 SAB-XX = Steel Angle Bracket for Trunnion
 PE/MT = Field Installed Photocontrol
 RBC-XX = Round Outlet Box Cover
 SF/VS = Vandal Shield
 SF/WG = Wire Guard
 TRSD-6/32 = Tamper-Resistant Screwdriver
 SF/TR = Tamper-Resistant Screw
 SF/V-XX = Visor
 SPK = Landscape Post (Standard Color Dark Grey)

STOCK SAMPLE NUMBER (Lamp Included): High Pressure Sodium and Metal Halide

SAMPLE NUMBER: MHSF10K-MT



Lamp Type

HP=High Pressure Sodium
 MH=Metal Halide

Series

SF=Falcon

Lamp Options¹²

35=35W^{2,3}
 50=50W
 70=70W
 10=100W
 15=150W²
 17=175W⁴

Mounting

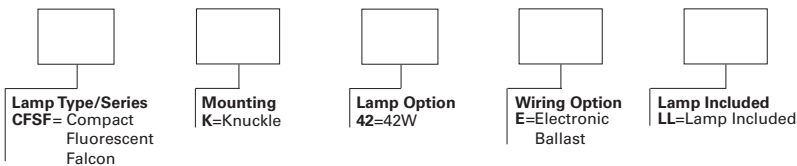
K=Knuckle
 T=Trunnion

Wiring Options

_=Standard
 MT=Multi-Tap
 TT=Triple-Tap⁸

STOCK SAMPLE NUMBER (Lamp Included): Compact Fluorescent

SAMPLE NUMBER: CFSF-K-42-E-LL



Lamp Type/Series

CFSF= Compact Fluorescent
 Falcon

Mounting

K=Knuckle

Lamp Option

42=42W

Wiring Option

E=Electronic Ballast

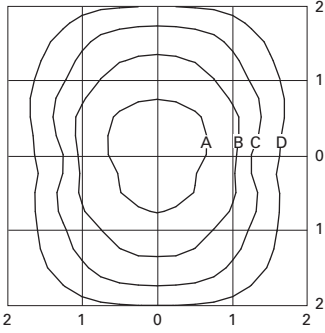
Lamp Included

LL=Lamp Included

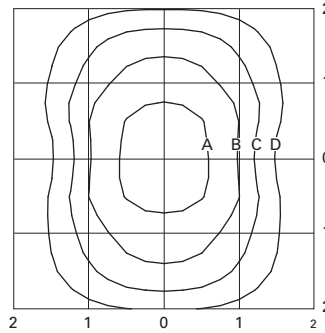
NOTES [stock]: Options not available with stock products. Order Accessories as separate items for field installation. Refer to standard ordering information to add options and accessories.

LAMP TYPE	WATTAGE
Pulse Start Metal Halide (MP)	150W
Metal Halide (MH)	50, 70, 100, 175W
High Pressure Sodium (HP)	35, 50, 70, 100, 150W
Compact Fluorescent (CF)	(1) 26, (1) 32, (1) 42, (2) 26, (1) 57, (1) 60 (2) 32, (1) 70W

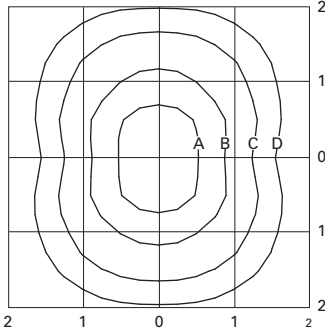
VOLTAGE CHART	
DT=Dual-Tap	120/277 (wired 277V)
MT=Multi-Tap	120/208/240/277 (wired 277V)
TT=Triple-Tap	120/277/347 (wired 347V)
E=Electronic Ballast (CF only)	120-277V (wired 277V) (50/60 HZ)



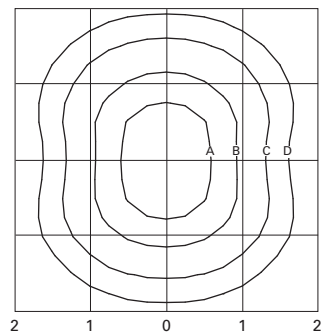
MHSF17K
175-Watt MH
14,000-Lumen Clear Lamp



HPSF15K
150-Watt HPS
16,000-Lumen Clear Lamp



CFSF42K
42-Watt PLH (42W Triple Tube)
3,200-Lumen Clear Lamp



CFSF60K
60-Watt PLH (60W Triple Tube)
4,000-Lumen Clear Lamp

Footcandle Table [MH+HPS]

Select mounting height and read across for footcandle values of each isofootcandle line. Distance in units of mounting height.

Mounting Height	Footcandle Values for Isofootcandle Lines			
	A	B	C	D
10'	20.00	8.00	4.00	2.00
15'	9.00	3.60	1.80	0.90
20'	5.00	2.00	1.00	0.50

VERTICAL AIMING=0°

Footcandle Table [CF]

Select mounting height and read across for footcandle values of each isofootcandle line. Distance in units of mounting height.

Mounting Height	Footcandle Values for Isofootcandle Lines			
	A	B	C	D
10'	4.00	2.00	0.80	0.40
15'	1.80	0.90	0.36	0.18
20'	1.00	0.50	0.20	0.10

VERTICAL AIMING=0°