



Hardware Reference Guide

NXI-x000 Series

NetLinx Integrated Controllers
(NI-2000, NI-3000, NI-4000)



AMX Limited Warranty and Disclaimer

AMX warrants its products to be free of defects in material and workmanship under normal use for three (3) years from the date of purchase from AMX, with the following exceptions:

- Electroluminescent and LCD Control Panels are warranted for three (3) years, except for the display and touch overlay components that are warranted for a period of one (1) year.
- Disk drive mechanisms, pan/tilt heads, power supplies, and MX Series products are warranted for a period of one (1) year.
- AMX Lighting products are guaranteed to switch on and off any load that is properly connected to our lighting products, as long as the AMX Lighting products are under warranty. AMX does guarantee the control of dimmable loads that are properly connected to our lighting products. The dimming performance or quality cannot be guaranteed due to the random combinations of dimmers, lamps and ballasts or transformers.
- Unless otherwise specified, OEM and custom products are warranted for a period of one (1) year.
- AMX Software is warranted for a period of ninety (90) days.
- Batteries and incandescent lamps are not covered under the warranty.

This warranty extends only to products purchased directly from AMX or an Authorized AMX Dealer.

All products returned to AMX require a Return Material Authorization (RMA) number. The RMA number is obtained from the AMX RMA Department. The RMA number must be clearly marked on the outside of each box. The RMA is valid for a 30-day period. After the 30-day period the RMA will be cancelled. Any shipments received not consistent with the RMA, or after the RMA is cancelled, will be refused. AMX is not responsible for products returned without a valid RMA number.

AMX is not liable for any damages caused by its products or for the failure of its products to perform. This includes any lost profits, lost savings, incidental damages, or consequential damages. AMX is not liable for any claim made by a third party or by an AMX Dealer for a third party.

This limitation of liability applies whether damages are sought, or a claim is made, under this warranty or as a tort claim (including negligence and strict product liability), a contract claim, or any other claim. This limitation of liability cannot be waived or amended by any person. This limitation of liability will be effective even if AMX or an authorized representative of AMX has been advised of the possibility of any such damages. This limitation of liability, however, will not apply to claims for personal injury.

Some states do not allow a limitation of how long an implied warranty last. Some states do not allow the limitation or exclusion of incidental or consequential damages for consumer products. In such states, the limitation or exclusion of the Limited Warranty may not apply. This Limited Warranty gives the owner specific legal rights. The owner may also have other rights that vary from state to state. The owner is advised to consult applicable state laws for full determination of rights.

EXCEPT AS EXPRESSLY SET FORTH IN THIS WARRANTY, AMX MAKES NO OTHER WARRANTIES, EXPRESSED OR IMPLIED, INCLUDING ANY IMPLIED WARRANTIES OF MERCHANTABILITY OR FITNESS FOR A PARTICULAR PURPOSE. AMX EXPRESSLY DISCLAIMS ALL WARRANTIES NOT STATED IN THIS LIMITED WARRANTY. ANY IMPLIED WARRANTIES THAT MAY BE IMPOSED BY LAW ARE LIMITED TO THE TERMS OF THIS LIMITED WARRANTY.

Table of Contents

Introduction	1
NI-2000 Specifications	2
NI-3000 Specifications	6
NI-4000 Specifications	10
Related Documents.....	14
Installation and Upgrading	15
Installing NetLinX Control Cards (NI-4000 Only)	15
Setting the NetLinX Control Card Addresses (NI-4000 Only).....	16
Device:Port:System (D:P:S).....	16
Removing NetLinX Control Cards (NI-4000 Only)	17
Compact Flash Upgrades.....	17
Accessing The Internal Components On An Integrated Controller	17
Installation of Compact Flash Upgrades.....	18
Closing and Securing the Outer Housing	19
Installing Into An Equipment Rack.....	19
Connections and Wiring	21
Setting the Configuration DIP Switch (for the Program Port).....	21
Baud Rate Settings.....	21
Program Run Disable (PRD) Mode.....	21
Working With the Configuration DIP Switch	22
Setting the CardFrame DIP Switch (NI-4000 Only)	22
Program Port Connections and Wiring	22
Modes and Front Panel LED Blink Patterns	23
Port Assignments and Functionality.....	23
AXlink Port and LED	24
Wiring Guidelines	24
Wiring length guidelines	24
Preparing Captive Wires	25
Wiring a Power Connection.....	25
Using the 4-Pin Mini-Phoenix Connector For Data and Power	25
Using the 4-pin Mini-Phoenix Connector For Data With External Power	26
DB9 Device Port: Connections and Wiring	26
ICSNet Port: Connections and Wiring.....	27
ICSHub OUT Port: Connections and Wiring	28
Relay Port: Connections and Wiring	28
Relay Connections.....	28

Input/Output (I/O) Port: Connections and Wiring	29
IR/Serial Port: Connections and Wiring	30
NetLinx Control Card Slot Connector (NI-4000 only)	30
Ethernet/RJ-45 Port: Connections and Wiring	31
Ethernet LEDs	31
Ethernet Ports Used By the Integrated Controller	32

Introduction

NetLinx Integrated Master Controllers can be programmed to control RS-232/422/485, Relay, IR/Serial, and Input/Output devices through the use of both the NetLinx programming language and the NetLinx Studio application (version 2.4 or higher). Another key feature of this products is the ability to easily access the configuration switches without having to remove a cover plate.

NetLinx Integrated Master Controller Features	
NI-2000 (FG2105-01)	<ul style="list-style-type: none"> • 1 RS-232 Program port • 3 RS-232/RS-422/RS-485 ports • 4 IR/Serial Output ports • 4 Digital Input/Output ports • 4 Relays
NI-3000 (FG2105-02)	<ul style="list-style-type: none"> • 1 RS-232 Program port • 7 RS-232/RS-422/RS-485 ports • 8 IR/Serial Output ports • 8 Digital Input/Output ports • 8 Relays
NI-4000 (FG2105)	<ul style="list-style-type: none"> • Support for up to 4 NetLinx control cards (such as NXC-COM2, NXC-IRS4, etc.) • 1 RS-232 Program port • 7 RS-232/RS-422/RS-485 ports • 8 IR/Serial Output ports • 8 Digital Input/Output ports • 8 Relays

These NI Controllers are Duet-compatible and can be upgraded via firmware. Duet is a dual-interpretter firmware platform from AMX which combines the proven reliability and power of NetLinx with the extensive capabilities of the *Java*[®] 2 *MicroEdition* (J2ME) platform. Duet simplifies the programming of a system that includes the NI-900 and other third party devices by standardizing device and function definitions, defaulting touch panel button assignments, and controlling feedback methods. Dynamic Device Discovery makes integration even easier by automatically identifying and communicating with devices which support this new beaconing technology.

These NI Controllers use a combination lithium battery and clock crystal package called a *Timekeeper*. Only one *Timekeeper* unit is installed within a given NI controller. The battery can be expected to have up to 3 years of usable life under very adverse conditions. Actual life is appreciably longer under normal operating conditions. This calculation is based on storing the unit without power in 50° C (120° F) temperature until battery levels are no longer acceptable. The part number for a replacement battery is 57-0032.

NI-2000 Specifications

The front panel LEDs (FIG. 1) are grouped by control type and are labeled according to their corresponding port (connector) numbers on the rear of the unit. The back of the unit contains three RS-232/422/485, one Relay, one IR/Serial and one I/O connectors. In addition, this unit provides an ID pushbutton, AXlink LED, and other related connectors. FIG. 2 shows the front and rear of the NI-2000.



FIG. 1 NI-2000 NetLinx Integrated Controller (front view)

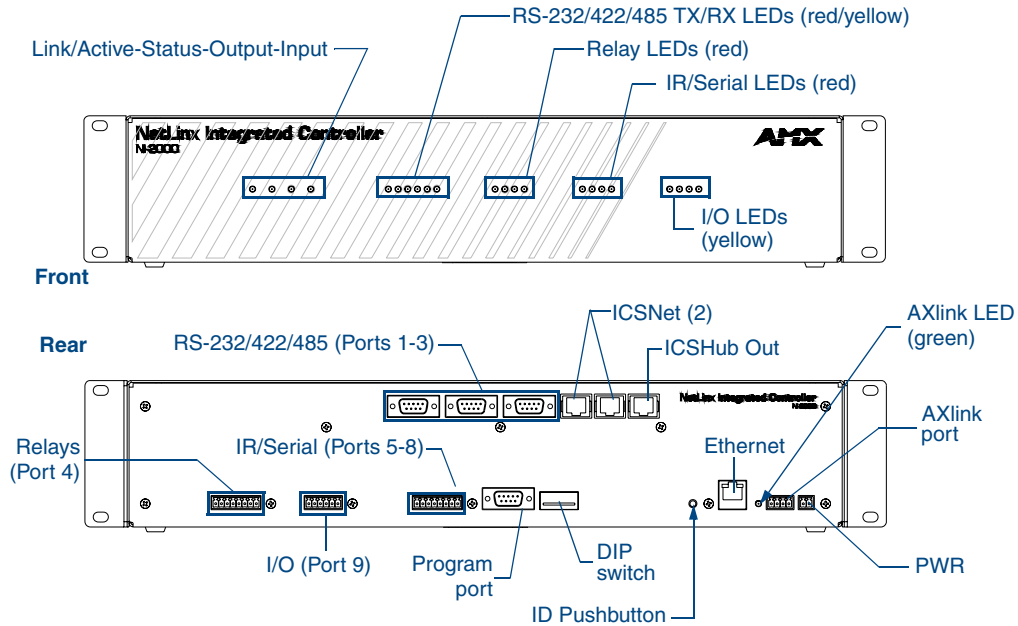


FIG. 2 NI-2000 front and rear panel components

NI-2000 Specifications	
Dimensions (HWD):	<ul style="list-style-type: none"> • 3.47" x 17.00" x 3.47" (8.81 cm x 43.18 cm x 8.82 cm) • 2 RU (rack unit) high
Power Requirement:	<ul style="list-style-type: none"> • 700 mA @ 12 VDC
Memory:	<ul style="list-style-type: none"> • 32 MB SDRAM • 1 MB of Non-volatile Flash
Compact Flash:	<ul style="list-style-type: none"> • 32 MB Card (upgradeable). Refer to the Other AMX Equipment section on page 5 for more information.
Weight:	<ul style="list-style-type: none"> • 4.50 lbs (2.04 kg)
Enclosure:	<ul style="list-style-type: none"> • Metal with black matte finish
Certifications:	<ul style="list-style-type: none"> • FCC Part 15 Class B and CE
Front Panel Components:	
LINK/ACT	<ul style="list-style-type: none"> • Green LED blinks when the Ethernet cable is connected and an active link is established. This LED also blinks when receiving Ethernet data packets.
Status	<ul style="list-style-type: none"> • Green LED blinks to indicate that the system is programmed and communicating properly.
Output	<ul style="list-style-type: none"> • Red LED blinks when the Controller transmits data, sets channels On/Off, sends data strings, etc.
Input	<ul style="list-style-type: none"> • Yellow LED blinks when the Controller receives data from button pushes, strings, commands, channel levels, etc.
RS-232/422/485 LEDs	<ul style="list-style-type: none"> • Three sets of red and yellow LEDs light to indicate the rear DB9 Ports 1 - 3 are transmitting or receiving RS-232, 422, or 485 data: <ul style="list-style-type: none"> - TX LEDs (red) light when transmitting data - RX LEDs (yellow) light when receiving data - LED activity reflects transmission and reception activity
Relay LEDs	<ul style="list-style-type: none"> • Four red LEDs light to indicate the rear relay channels 1 - 4 are active (closed). • These LEDs reflect the state of the relay on Port 4 • If the relay is engaged = LED On and if the relay is Off = LED Off
IR/Serial LEDs	<ul style="list-style-type: none"> • Four red LEDs light to indicate the rear IR/Serial channels 1 - 4 are transmitting control data on Ports 5 - 8 • LED indicator for each IR port remains lit for the length of time that IR/Serial data is being generated
I/O LEDs	<ul style="list-style-type: none"> • Four yellow LEDs light when the rear I/O channels 1 - 4 are active • LED indicator for each I/O port reflects the state of that particular port
Rack-mount brackets	<ul style="list-style-type: none"> • Provide an installation option for the Integrated Controller to be mounted into an equipment rack, when used with the Installation Kit (KA2105-01).
Rear Panel Connectors:	
RS-232/422/485 (Ports 1 -3)	<ul style="list-style-type: none"> • Three RS-232/422/485 control ports using DB9 (male) connectors with XON/XOFF (transmit On/transmit Off), CTS/RTS (clear to send/ready to send), and 300-115,200 baud. • Channel range = 1-255 • Channels 1-254 provide feedback • Channel 255 (CTS Push channel): Reflects the state of the CTS Input if a 'CTSPSH' command was sent to the port • Output data format for each port is selected via software • Three DB9 connectors provide RS-232/422/485 termination
ICSNet	<ul style="list-style-type: none"> • Two RJ-45 connectors for ICSNet interface
ICSHub Out	<ul style="list-style-type: none"> • RJ-45 connector provides data to another Hub connected to the Controller

NI-2000 Specifications (Cont.)	
Rear Panel Connectors (Cont.):	
Relay (Port 4)	<ul style="list-style-type: none"> • Four-channel single-pole single-throw relay ports • Each relay is independently controlled. • Supports up to 4 independent external relay devices • Channel range = 1-4 • Each relay can switch up to 24 VDC or 28 VAC @ 1 A • 8-pin 3.5 mm mini-Phoenix (female) connector provides relay termination
Digital I/O (Port 9)	<ul style="list-style-type: none"> • Four-channel binary I/O port for contact closure • Each input is capable of voltage sensing. Input format is software selectable. • Interactive power sensing for IR ports • Channel range = 1-4 • All inputs are assigned to respective IR/Serial ports for "automatic" power control through the use of software commands. Power control is provided via commands such as: 'PON', 'POF', 'POD', 'DELAY', I/O Link etc.). • Contact closure between GND and an I/O port is detected as a PUSH • When used as voltage input - I/O port detects a low signal (0- 1.5 VDC) as a PUSH and a high signal (3.5 - 5 VDC) as a RELEASE • When used as an output - each I/O port acts as a switch to GND and is rated at 200 mA @ 12 VDC • 6-pin 3.5 mm mini-Phoenix (female) connector provides I/O port termination <p>Note: This IO port uses 5V logic but can handle up to 12V without harm. It can handle up to 12V on the input. At higher voltages you run a higher risk of surge damage.</p>
IR/Serial (Ports 5-8)	<ul style="list-style-type: none"> • Four IR/Serial control ports support high-frequency carriers of up to 1.142 MHz. • Each output is capable of three electrical formats: IR, Serial, and Data • Four IR/Serial data signals can be generated simultaneously. • Channel range = 1-32,767 • Channels 1-128 (output): IR commands • Channels 129-253: used as reference channels • Channel 254 (feedback): Power Fail (used with 'PON' and 'POF' commands) • Channel 255 (feedback): Power status (when IO Link is set) • IR ports support data mode (at limited baud rates and wiring distances). • 8-pin 3.5 mm mini-Phoenix (female) connector provides IR/Serial port termination
Program port	<ul style="list-style-type: none"> • RS-232 DB9 connector (male) can be connected to a DB9 port on a computer; used with serial commands, NetLinx programming commands, other DB9 capable devices, and to upload/download information from the NetLinx Studio 2.4 program.
Configuration DIP switch	<ul style="list-style-type: none"> • Sets the communication parameters for the Program port.
ID pushbutton	<ul style="list-style-type: none"> • Provides the NetLinx ID (Device only) assignment for the device. • The D notation is used to represent a device number. • Refer to the <i>NetLinx Integrated Controller WebConsole & Programming Guide</i> for details.
Ethernet port	<ul style="list-style-type: none"> • RJ-45 port for 10/100 Mbps communication. This port automatically negotiates the connection speed (10 Mbps or 100 Mbps) and whether to use half duplex or full duplex mode.

NI-2000 Specifications (Cont.)	
Rear Panel Connectors (Cont.):	
Ethernet Link/Activity LED	<ul style="list-style-type: none"> LEDs show communication activity, connection status, speeds, and mode information: <ul style="list-style-type: none"> SPD (speed) - Yellow LED lights On when the connection speed is 100 Mbps and turns Off when the speed is 10 Mbps. L/A (link/activity) - Green LED lights On when the Ethernet cables are connected/terminated correctly, and blinks when receiving Ethernet data packets.
AXlink LED	<ul style="list-style-type: none"> Green LED indicates the state of the AXlink connector port. Normal AXlink activity = 1 blink/second Abnormal AXlink activity = cycle of 3 consecutive blinks and then Off
AXlink port	<ul style="list-style-type: none"> 4-pin 3.5 mm mini-Phoenix (male) connector provides data and power to external control devices.
Power port	<ul style="list-style-type: none"> 2-pin 3.5 mm mini-Phoenix (male) connector
Included Accessories:	<ul style="list-style-type: none"> 2-pin 3.5 mm mini-Phoenix (female) PWR connector (41-5025) 4-pin 3.5 mm mini-Phoenix (female) AXlink connector (41-5047) 6-pin 3.5 mm mini-Phoenix (female) I/O connector (41-5063) 8-pin 3.5 mm mini-Phoenix (female) Relay connector (41-5083) Installation Kit (KA2105-01): <ul style="list-style-type: none"> 8-pin Relay Common Strip Four rack mount screws Four washers NI-2000 Quick Start Guide Two CC-NIRC IR Emitters Two removable rack ears (62-2105-07)
Other AMX Equipment:	<ul style="list-style-type: none"> 2-pin 3.5 mm mini-Phoenix male connector (41-5026) CC-NIRC IR cables (FG10-000-11) CC-NSER IR/Serial cables (FG10-007-10) CSB Cable Support Bracket (FG517) NCK, NetLinx Connector Kit (FG2902) STS, Serial To Screw Terminal (FG959) Upgrade Compact Flash (factory programmed with firmware): <ul style="list-style-type: none"> NXA-CFNI64M - 64 MB compact flash card (FG2116-31) NXA-CFNI128M - 128 MB compact flash card (FG2116-32) NXA-CFNI256M - 256 MB compact flash card (FG2116-33) NXA-CFNI512M - 512 MB compact flash card (FG2116-34) NXA-CFNI1G - 1 GB compact flash card (FG2116-35)

NI-3000 Specifications

The front LEDs (FIG. 3) are grouped by control type and are labeled according to their corresponding port (connector) numbers on the rear of the unit. The back of this unit contains RS-232/422/485, Relay, IR/Serial and I/O connectors. In addition, this unit provides an ID pushbutton, AXlink LED, and other related connectors. FIG. 4 shows the front and rear of the NI-3000.



FIG. 3 NI-3000 NetLinx Integrated Controller (front view)

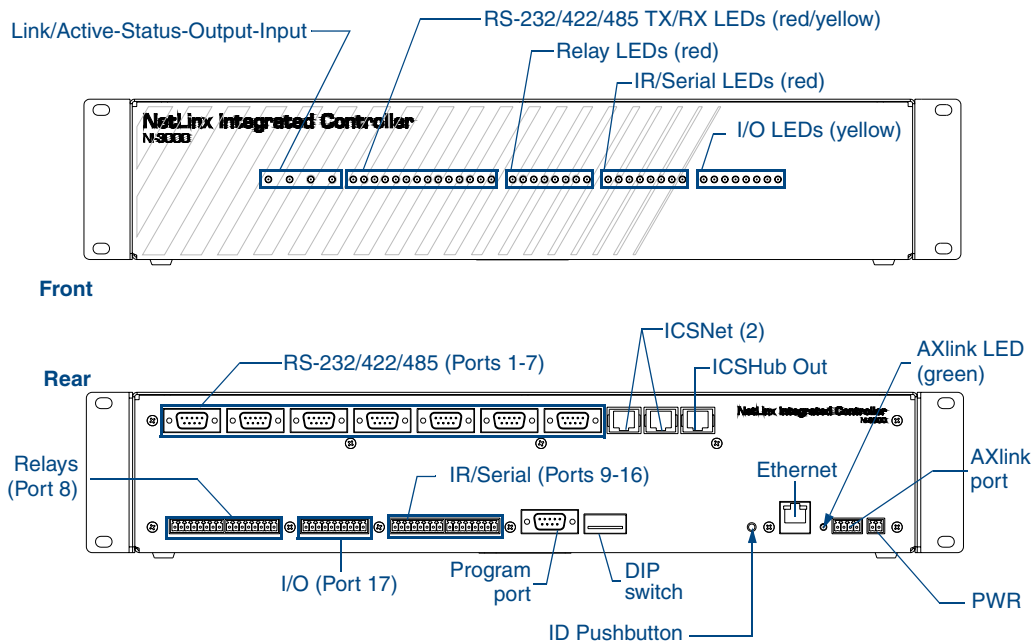


FIG. 4 NI-3000 front and rear panel components

NI-3000 Specifications	
Dimensions (HWD):	<ul style="list-style-type: none"> • 3.47" x 17.00" x 3.47" (8.81 cm x 43.18 cm x 8.82 cm) • 2 RU (rack unit) high
Power Requirement:	<ul style="list-style-type: none"> • 900 mA @ 12 VDC
Memory:	<ul style="list-style-type: none"> • 32 MB SDRAM • 1 MB of Non-volatile Flash
Compact Flash:	<ul style="list-style-type: none"> • 32 MB Card (upgradeable). Refer to the Other AMX Equipment section on page 9 for more information.
Weight:	<ul style="list-style-type: none"> • 4.55 lbs (2.06 kg)
Enclosure:	<ul style="list-style-type: none"> • Metal with black matte finish
Certifications:	<ul style="list-style-type: none"> • FCC Part 15 Class B and CE
Front Panel Components:	
LINK/ACT	<ul style="list-style-type: none"> • Green LED lights when the Ethernet cable is connected and an active link is established. This LED also blinks when receiving Ethernet data packets.
Status	<ul style="list-style-type: none"> • Green LED lights to indicate that the system is programmed and communicating properly.
Output	<ul style="list-style-type: none"> • Red LED lights when the Controller transmits data, sets channels On/Off, sends data strings, etc.
Input	<ul style="list-style-type: none"> • Yellow LED lights when the Controller receives data from button pushes, strings, commands, channel levels, etc.
RS-232/422/485 LEDs	<ul style="list-style-type: none"> • Seven sets of red and yellow LEDs light to indicate the rear DB9 Ports 1-7 are transmitting or receiving RS-232, 422, or 485 data: <ul style="list-style-type: none"> - TX LEDs (red) light when transmitting data - RX LEDs (yellow) light when receiving data - LED activity reflects transmission and reception activity
Relay LEDs	<ul style="list-style-type: none"> • Eight red LEDs light to indicate the rear relay channels 1-8 are active (closed) • These LEDs reflect the state of the relay on Port 8 • If the relay is engaged = LED On and if the relay is Off = LED Off
IR/Serial LEDs	<ul style="list-style-type: none"> • Eight red LEDs light to indicate the rear IR/Serial channels 1-8 are transmitting control data on Ports 9-16 • LED indicator for each IR port remains lit for the length of time that IR/Serial data is being generated
I/O LEDs	<ul style="list-style-type: none"> • Eight yellow LEDs light when the rear I/O channels 1-8 are active • LED indicator for each I/O port reflects the state of that particular port
Rack-mount brackets	<ul style="list-style-type: none"> • Provide an installation option for the Integrated Controller to be mounted into an equipment rack, when used with the Installation Kit (KA2105-01).
Rear Panel Connectors:	
RS-232/422/485 (Ports 1 -7)	<ul style="list-style-type: none"> • Seven RS-232/422/485 control ports using DB9 (male) connectors with XON/XOFF (transmit on/transmit off), CTS/RTS (clear to send/ready to send), and 300-115,200 baud. • Channel range = 1-255 • Channels 1-254 provide feedback • Channel 255 (CTS Push channel): Reflects the state of the CTS Input if a 'CTSPSH' command was sent to the port • Output data format for each port is selected via software • Seven DB9 connectors provide RS-232/422/485 termination
ICSNet	<ul style="list-style-type: none"> • Two RJ-45 connectors for ICSNet interface
ICSHub Out	<ul style="list-style-type: none"> • RJ-45 connector provides data to another Hub connected to the Controller

NI-3000 Specifications (Cont.)	
Rear Panel Connectors (Cont.):	
Relay (Port 8)	<ul style="list-style-type: none"> • Eight-channel single-pole single-throw relay ports • Each relay is independently controlled. • Supports up to 8 independent external relay devices • Channel range = 1-8 • Each relay can switch up to 24 VDC or 28 VAC @ 1 A • Two 8-pin 3.5 mm mini-Phoenix (female) connectors provide relay termination
Digital I/O (Port 17)	<ul style="list-style-type: none"> • Eight-channel binary I/O port for contact closure • Each input is capable of voltage sensing. Input format is software selectable. • Interactive power sensing for IR ports • Channel range = 1-8 • All inputs are assigned to respective IR/Serial ports for "automatic" power control through the use of software commands. Power control is provided via commands such as: 'PON', 'POF', 'POD', 'DELAY', I/O Link etc.). • Contact closure between GND and an I/O port is detected as a PUSH • When used as voltage input - I/O port detects a low signal (0- 1.5 VDC) as a PUSH and a high signal (3.5 - 5 VDC) as a RELEASE • When used as an output - each I/O port acts as a switch to GND and is rated at 200 mA @ 12 VDC • 10-pin 3.5 mm mini-Phoenix (female) connector provides I/O port termination <p>Note: This IO port uses 5V logic but can handle up to 12V without harm. It can handle up to 12V on the input. At higher voltages you run a higher risk of surge damage.</p>
IR/Serial (Ports 9-16)	<ul style="list-style-type: none"> • Eight IR/Serial control ports support high-frequency carriers up to 1.142 MHz • Each output is capable of three electrical formats: IR, Serial, and Data • Eight IR/Serial data signals can be generated simultaneously. • Channel range = 1-32,767 • Channels 1-128 (output): IR commands • Channels 129-253: used as reference channels • Channel 254 (feedback): Power Fail (used with 'PON' and 'POF' commands) • Channel 255 (feedback): Power status (when IO Link is set) • IR ports support data mode (at limited baud rates and wiring distances). • Two 8-pin 3.5 mm mini-Phoenix (female) connectors provide IR/Serial port termination
Program port	<ul style="list-style-type: none"> • RS-232 DB9 connector (male) can be connected to a DB9 port on a computer; used with serial commands, NetLinX programming commands, other DB9 capable devices, and to upload/download information from the NetLinX Studio 2.4 program.
Configuration DIP switch	<ul style="list-style-type: none"> • Sets the communication parameters for the Program port.
ID pushbutton	<ul style="list-style-type: none"> • Provides the NetLinX ID (Device only) assignment for the device. • The D notation is used to represent a device number. • Refer to the <i>NetLinX Integrated Controller WebConsole & Programming Guide</i> for details.
Ethernet port	<ul style="list-style-type: none"> • RJ-45 port for 10/100 Mbps communication. This port automatically negotiates the connection speed (10 Mbps or 100 Mbps) and whether to use half duplex or full duplex mode.

NI-3000 Specifications (Cont.)	
Rear Panel Connectors (Cont.):	
Ethernet Link/Activity LED	<ul style="list-style-type: none"> LEDs show communication activity, connection status, speeds, and mode information: SPD (speed) - Yellow LED lights On when the connection speed is 100 Mbps and turns Off when the speed is 10 Mbps. L/A (link/activity) - Green LED lights On when the Ethernet cables are connected/terminated correctly, and blinks when receiving Ethernet data packets.
AXlink LED	<ul style="list-style-type: none"> Green LED indicates the state of the AXlink connector port. Normal AXlink activity = 1 blink/second Abnormal AXlink activity = cycle of 3 consecutive blinks and then Off
AXlink port	<ul style="list-style-type: none"> 4-pin 3.5 mm mini-Phoenix (male) connector provides data and power to external control devices.
Power port	<ul style="list-style-type: none"> 2-pin 3.5 mm mini-Phoenix (male) connector
Included Accessories:	<ul style="list-style-type: none"> 2-pin 3.5 mm mini-Phoenix (female) PWR connector (41-5025) 4-pin 3.5 mm mini-Phoenix (female) AXlink connector (41-5047) 10-pin 3.5 mm mini-Phoenix (female) I/O connector (41-5107) Installation Kit (KA2105-01): <ul style="list-style-type: none"> 8-pin Relay Common Strip Four rack mount screws Four washers NI-3000 Quick Start Guide Two 8-pin 3.5 mm mini-Phoenix (female) Relay connectors (41-5083) Two CC-NIRC IR Emitters Two removable rack ears (62-2105-07)
Other AMX Equipment:	<ul style="list-style-type: none"> 2-pin 3.5 mm mini-Phoenix male connector (41-5026) CC-NIRC IR cables (FG10-000-11) CC-NSER IR/Serial cables (FG10-007-10) CSB Cable Support Bracket (FG517) NCK, NetLinx Connector Kit (FG2902) STS, Serial To Screw Terminal (FG959) Upgrade Compact Flash (factory programmed with firmware): <ul style="list-style-type: none"> NXA-CFNI64M - 64 MB compact flash card (FG2116-31) NXA-CFNI128M - 128 MB compact flash card (FG2116-32) NXA-CFNI256M - 256 MB compact flash card (FG2116-33) NXA-CFNI512M - 512 MB compact flash card (FG2116-34) NXA-CFNI1G - 1 GB compact flash card (FG2116-35)

NI-4000 Specifications

The front LEDs (FIG. 5) are grouped by control type, and are labeled according to their corresponding port (connector) numbers on the rear of the unit. The back of this unit contains RS-232/422/485, Relay, IR/Serial and I/O connectors. In addition, this unit provides an ID pushbutton, AXlink LED, NetLinX Card slots, and other related connectors. FIG. 6 shows the front and rear of the NI-4000.



FIG. 5 NI-4000 NetLinX Integrated Controller (front view)

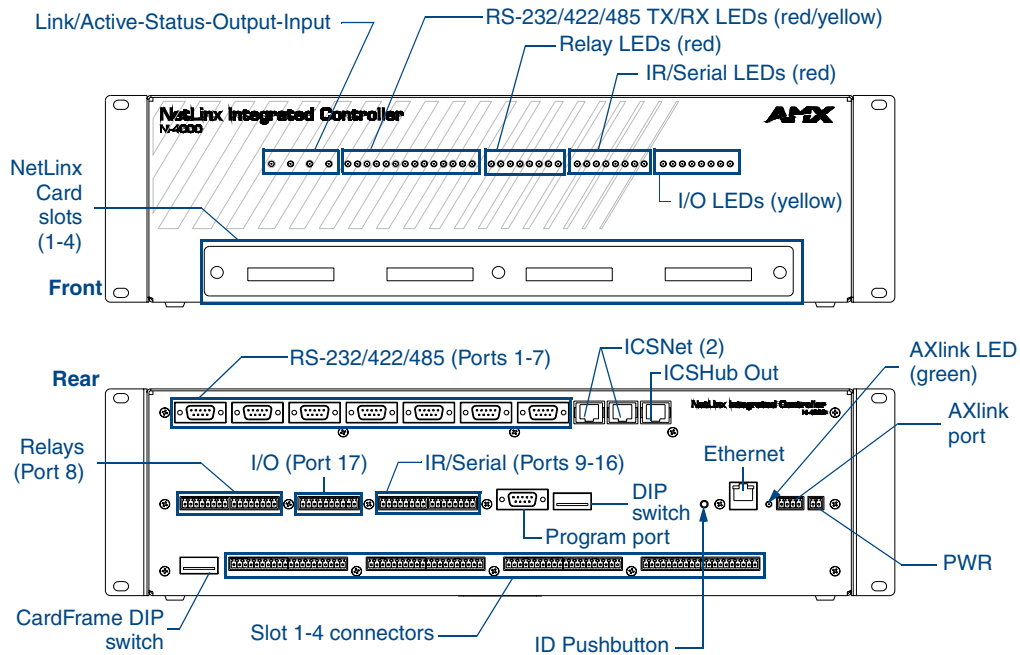


FIG. 6 NI-4000 front and rear panel components

NI-4000 Specifications	
Dimensions (HWD):	<ul style="list-style-type: none"> • 5.21" x 17.00" x 9.60" (13.23 cm x 43.18 cm x 24.27 cm) • 3 RU (rack unit) high
Power Requirement:	<ul style="list-style-type: none"> • 900 mA @ 12 VDC (no cards)
Memory:	<ul style="list-style-type: none"> • 32 MB SDRAM • 1 MB of Non-volatile Flash
Compact Flash:	<ul style="list-style-type: none"> • 32 MB Card (upgradeable). Refer to the Other AMX Equipment section on page 14 for more information.
Weight:	<ul style="list-style-type: none"> • 9.15 lbs (4.15 kg)
Enclosure:	<ul style="list-style-type: none"> • Metal with black matte finish
Certifications:	<ul style="list-style-type: none"> • FCC Part 15 Class B and CE
Front Panel Components:	
LINK/ACT	<ul style="list-style-type: none"> • Green LED lights when the Ethernet cable is connected and an active link is established. This LED also blinks when receiving Ethernet data packets.
Status	<ul style="list-style-type: none"> • Green LED lights to indicate that the system is programmed and communicating properly.
Output	<ul style="list-style-type: none"> • Red LED lights when the Controller transmits data, sets channels On/Off, sends data strings, etc.
Input	<ul style="list-style-type: none"> • Yellow LED lights when the Controller receives data from button pushes, strings, commands, channel levels, etc.
RS-232/422/485 LEDs	<ul style="list-style-type: none"> • Seven sets of red and yellow LEDs light to indicate the rear DB9 Ports 1-7 are transmitting or receiving RS-232, 422, or 485 data: <ul style="list-style-type: none"> - TX LEDs (red) light when transmitting data - RX LEDs (yellow) light when receiving data - LED activity reflects transmission and reception activity
Relay LEDs	<ul style="list-style-type: none"> • Eight red LEDs light to indicate the rear relay channels 1-8 are active (closed) • These LEDs reflect the state of the relay on Port 8 • If the relay is engaged = LED On and if the relay is Off = LED Off
IR/Serial LEDs	<ul style="list-style-type: none"> • Eight red LEDs light to indicate the rear IR/Serial channels 1-8 are transmitting control data on Ports 9-16 • LED indicator for each IR port remains lit for the length of time that IR/Serial data is being generated
I/O LEDs	<ul style="list-style-type: none"> • Eight yellow LEDs light when the rear I/O channels 1-8 are active • LED indicator for each I/O port reflects the state of that particular port
NetLinX Control Card slots 1- 4	<p>Accepts up to 4 compatible NetLinX Control Cards:</p> <ul style="list-style-type: none"> • NXC-COM2 Dual COM Port Control Card (FG2022) • NXC-I/O10 Input/Output Control Card (FG2021) • NXC-IRS4 4-Port IR/S Control Card (FG2023) • NXC-REL10 Relay Control Card (FG2020) • NXC-VAI4 Analog Voltage Control Card (FG 2025) • NXC-VOL4 Volume Control Card (FG2024)
Rack-mount brackets	<ul style="list-style-type: none"> • Provide an installation option for the Integrated Controller to be mounted into an equipment rack, when used with the Installation Kit (KA2105-01).

NI-4000 Specifications (Cont.)	
Rear Panel Connectors:	
RS-232/422/485 (Ports 1 -7)	<ul style="list-style-type: none"> • Seven RS-232/422/485 control ports using DB9 (male) connectors with XON/XOFF (transmit on/transmit off), CTS/RTS (clear to send/ready to send), and 300-115,200 baud. • Channel range = 1-255 • Channels 1-254 provide feedback • Channel 255 (CTS Push channel): Reflects the state of the CTS Input if a 'CTSPSH' command was sent to the port • Output data format for each port is selected via software • Seven DB9 connectors provide RS-232/422/485 termination
ICSNet	<ul style="list-style-type: none"> • Two RJ-45 connectors for ICSNet interface
ICSHub Out	<ul style="list-style-type: none"> • RJ-45 connector provides data to another Hub connected to the Controller
Relay (Port 8)	<ul style="list-style-type: none"> • Eight-channel single-pole single throw relay ports • Each relay is independently controlled. • Supports up to 8 independent external relay devices • Channel range = 1-8 • Each relay can switch up to 24 VDC or 28 VAC @ 1 A • Two 8-pin 3.5 mm mini-Phoenix (female) connectors provide relay termination
Digital I/O (Port 17)	<ul style="list-style-type: none"> • Eight-channel binary I/O port for contact closure • Each input is capable of voltage sensing. Input format is software selectable. • Interactive power sensing for IR ports • Channel range = 1-8 • All inputs are assigned to respective IR/Serial ports for "automatic" power control through the use of software commands. Power control is provided via commands such as: 'PON', 'POF', 'POD', 'DELAY', I/O Link etc.). • Contact closure between GND and an I/O port is detected as a PUSH • When used as voltage input - I/O port detects a low signal (0- 1.5 VDC) as a PUSH and a high signal (3.5 - 5 VDC) as a RELEASE • When used as an output - each I/O port acts as a switch to GND and is rated at 200 mA @ 12 VDC • 10-pin 3.5 mm mini-Phoenix (female) connector provides I/O port termination <p>Note: This IO port uses 5V logic but can handle up to 12V without harm. It can handle up to 12V on the input. At higher voltages you run a higher risk of surge damage.</p>
IR/Serial (Ports 9-16)	<ul style="list-style-type: none"> • Eight IR/Serial control ports support high-frequency carriers of up to 1.142 MHz. • Each output is capable of three electrical formats: IR, Serial, and Data • Eight IR/Serial data signals can be generated simultaneously. • Channel range = 1-32,767 • Channels 1-128 (output): IR commands • Channels 129-253: used as reference channels • Channel 254 (feedback): Power Fail (used with 'PON' and 'POF' commands) • Channel 255 (feedback): Power status (when IO Link is set) • IR ports support data mode (at limited baud rates and wiring distances). • Two 8-pin 3.5 mm mini-Phoenix (female) connectors provide IR/Serial port termination

NI-4000 Specifications (Cont.)	
Rear Panel Connectors (Cont.):	
Program port	<ul style="list-style-type: none"> RS-232 DB9 connector (male) can be connected to a DB9 port on a computer; used with serial commands, NetLinx programming commands, other DB9 capable devices, and to upload/download information from the NetLinx Studio 2.4 program.
Configuration DIP switch	<ul style="list-style-type: none"> Sets the communication parameters for the Program port.
ID pushbutton	<ul style="list-style-type: none"> Provides the NetLinx ID (Device only) assignment for the device. The D notation is used to represent a device number. Refer to the <i>NetLinx Integrated Controller WebConsole & Programming Guide</i> for details.
Ethernet port	<ul style="list-style-type: none"> RJ-45 port for 10/100 Mbps communication. This port automatically negotiates the connection speed (10 Mbps or 100 Mbps) and whether to use half duplex or full duplex mode.
Ethernet Link/Activity LED	<ul style="list-style-type: none"> LEDs show communication activity, connection status, speeds, and mode information: <ul style="list-style-type: none"> SPD (speed) - Yellow LED lights On when the connection speed is 100 Mbps and turns Off when the speed is 10 Mbps. L/A (link/activity) - Green LED lights On when the Ethernet cables are connected/terminated correctly, and blinks when receiving Ethernet data packets.
AXlink LED	<ul style="list-style-type: none"> Green LED indicates the state of the AXlink connector port. Normal AXlink activity = 1 blink/second Abnormal AXlink activity = cycle of 3 consecutive blinks and then Off
AXlink port	<ul style="list-style-type: none"> 4-pin 3.5 mm mini-Phoenix (male) connector provides data and power to external control devices.
Power port	<ul style="list-style-type: none"> 2-pin 3.5 mm mini-Phoenix (male) connector
CardFrame Number DIP switch	<ul style="list-style-type: none"> Sets the starting address for the Control Cards in the CardFrame.(Factory default CardFrame DIP switch value = 0). The Control Card address range is 1-3064.
NetLinx Control Card connectors (1-4)	<ul style="list-style-type: none"> Four 20-pin (male) connectors that bridge the gap between the Control Cards in the CardFrame and external equipment.
Included Accessories:	<ul style="list-style-type: none"> 2-pin 3.5 mm mini-Phoenix (female) PWR connector (41-5025) 4-pin 3.5 mm mini-Phoenix (female) AXlink connector (41-5047) 10-pin 3.5 mm mini-Phoenix (female) I/O connector (41-5107) Installation Kit (KA2105-01): <ul style="list-style-type: none"> 8-pin Relay Common Strip Four rack mount screws Four washers NI-4000 Quick Start Guide Two 8-pin 3.5 mm mini-Phoenix (female) Relay connectors (41-5083) Two CC-NIRC IR Emitters Two removable rack ears (62-2105-07)

NI-4000 Specifications (Cont.)	
Other AMX Equipment:	<ul style="list-style-type: none"> • 2-pin 3.5 mm mini-Phoenix male connector (41-5026) • CC-NIRC IR cables (FG10-000-11) • CC-NSER IR/Serial cables (FG10-007-10) • CSB Cable Support Bracket (FG517) • NCK, NetLinX Connector Kit (FG2902) • STS, Serial To Screw Terminal (FG959) • Upgrade Compact Flash (factory programmed with firmware): <ul style="list-style-type: none"> NXA-CFNI64M - 64 MB compact flash card (FG2116-31) NXA-CFNI128M - 128 MB compact flash card (FG2116-32) NXA-CFNI256M - 256 MB compact flash card (FG2116-33) NXA-CFNI512M - 512 MB compact flash card (FG2116-34) NXA-CFNI1G - 1 GB compact flash card (FG2116-35) • NXC cards (see the <i>Card Slot</i> section (page 11) of this Specification table for more detailed information)

Related Documents

For information on using the on-board Web Console, as well as NetLinX send commands and terminal communications to configure the NI Controllers, refer to the *NetLinX Integrated Controller WebConsole & Programming Guide*.



All product documentation is available to view or download from www.amx.com.

Installation and Upgrading

Installing NetLinx Control Cards (NI-4000 Only)

NetLinx Cards can be installed into the front card slots. The cards mount horizontally through the card slot openings on the front of the enclosure.

1. Discharge the static electricity from your body, by touching a grounded object.
2. Remove the three screws by turning them in a counter-clockwise direction and then remove the faceplate (FIG. 1).

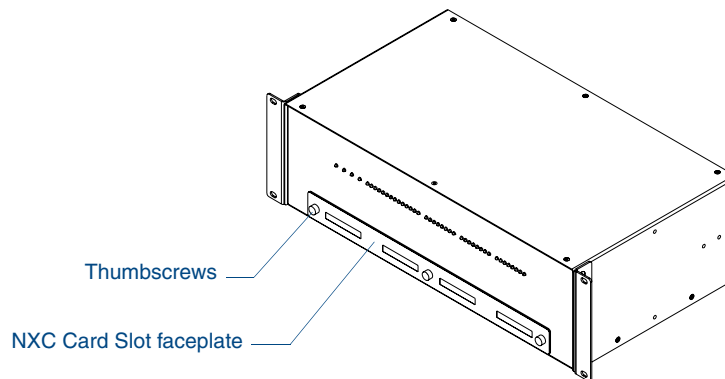


FIG. 1 NI-4000 front faceplate

3. Align the edges of the card with the internal guide slots and gently slide the card all the way into the slot (FIG. 2).

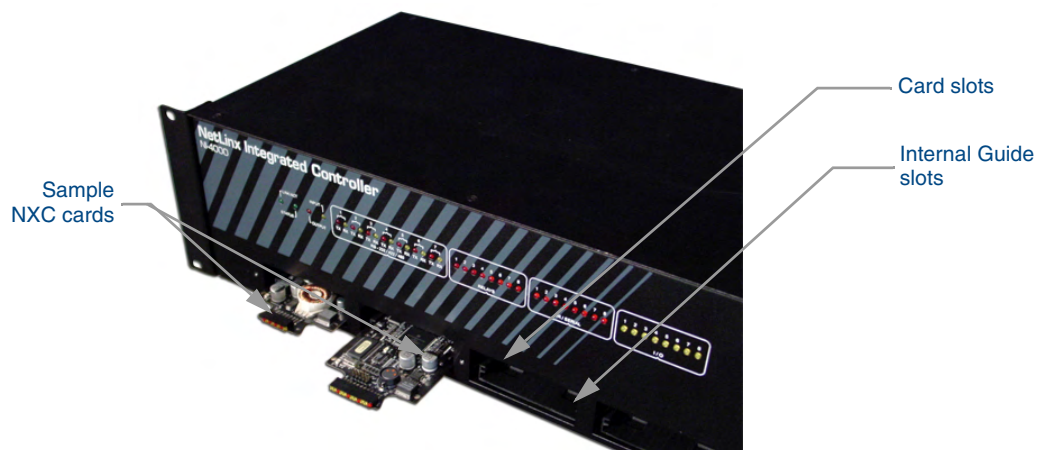


FIG. 2 Sample NXC cards inserted into an NI-4000 unit

4. Carefully apply a small amount of force to insert the cards into their respective connectors. If the cards have LEDs on them, those LEDs will initiate a lighting sequence to indicate they are receiving power and are communicating with the Controller.
5. Re-align the faceplate and secure it to the chassis by inserting the three screws by turning them in a clockwise direction and securing the front plate to the Integrated Controller.
6. Install all rear connectors and apply power.



If the cards do not appear in the NetLinX Studio's Workspace window for the selected Master System number: give the system time to detect the inserted cards (and refresh the system) and/or cycle power to the unit.

NOTE

Setting the NetLinX Control Card Addresses (NI-4000 Only)

- The 8-position CardFrame Number DIP switch (located on the rear of the NI-4000) sets the starting address (the device number in the D:P:S specification) for the Control Cards installed in the CardFrame. The address range is 1-3064.
- The factory default CardFrame DIP switch value = **0** (all CardFrame DIP switches in the OFF position).
- The formula for setting the starting address is:
 $(\text{DIP switch address} \times 12) + \text{Card slot Number (1-12)} = \text{Card address}$

For example:

- DIP switch setting, 00010101: $(0 + 0 + 0 + 96 + 0 + 384 + 1536) + \text{SLOT \#(ex:1)} = 2017$.
- A card in slot number 1 would be device address 2017.

1. Set the CardFrame Number DIP switch based on the information listed in the table below.

Position	1	2	3	4	5	6	7	8
Value	12	24	48	96	192	384	768	1536

2. Cycle power to the unit for approximately 5 seconds. This allows the unit to read the new device number settings.

Device:Port:System (D:P:S)

A device is any hardware component that can be connected to an AXlink or ICSNet bus. Each device must be assigned a unique number to locate that device on the bus. The NetLinX programming language allows numbers in the range 1-32,767 for ICSNet (255 for AXlink).

Only the Device value can be set through the DIP switch settings mentioned above.

NetLinX requires a Device:Port:System (D:P:S) specification. This D:P:S triplet can be expressed as a series of constants, variables separated by colons, or a DEV structure. For example:

```
STRUCTURE DEV
{
  INTEGER Number // Device number
  INTEGER Port   // Port on device
  INTEGER System // System the device belongs to
}
```

The D:P:S notation is used to explicitly represent a device number, port and system.

For example, 128:1:0 represents the first port on device 128 on this system.

If a device is declared in a NetLinX program with just the Device number (**System and Port are omitted**), the NetLinX Compiler assumes it has a **Port number of 1 and a System number of 0**.

However, you should convert all existing device declarations using the D:P:S (Device:Port:System) notation. This enables certain NetLinX specific debugging features and can help pinpoint other possibly obscure errors.

Here's the syntax:

NUMBER : PORT : SYSTEM

where:

- NUMBER: 16-bit integer represents the device number
- PORT: 16-bit integer represents the port number (in the range 1 through the number of ports on the Controller or device)
- SYSTEM: 16-bit integer represents the system number (0 = this system)

Removing NetLinx Control Cards (NI-4000 Only)

To install NetLinx Control Card:

1. Discharge any static electricity from your body, by touching a grounded object and unplug all connectors (if any) from the unit.
2. Remove the three faceplate screws by turning them in a counter-clockwise direction.
3. Remove the faceplate from the front plate (FIG. 1 on page 15).
4. Gently grasp the rear edge of the control card and gently pull it out from the unit (along the internal guide slots).
5. Re-secure the faceplate by inserting the three faceplate screws by turning them in a clockwise direction and securing the front plate to the Integrated Controller.
6. Re-apply power and other connections as necessary.

Compact Flash Upgrades

The NetLinx Integrated Controllers are shipped with a default 32 MB Compact Flash module.



NOTE

*It is recommended that **ANY MEMORY UPGRADE** should be done prior to any installation. Refer to the following accessing and installation sections for more information.*

The Compact Flash card is factory programmed with specific Controller firmware. These cards can be ordered from AMX in several different upgrade sizes (see the following table):

Optional Compact Flash Upgrades	
Product Name	Description
NXA-CFNI64M	64 MB compact flash card (FG2116-31)
NXA-CFNI128M	128 MB compact flash card (FG2116-32)
NXA-CFNI256M	256 MB compact flash card (FG2116-33)
NXA-CFNI512M	512 MB compact flash card (FG2116-34)
NXA-CFNI1G	1 GB compact flash card (FG2116-35)

Accessing The Internal Components On An Integrated Controller

1. Carefully detach all connectors from the rear of the unit.
2. Remove the chassis housing screws from both the sides and top of the Controller, as shown in FIG. 3 by using a grounded screwdriver turning in a counter-clockwise rotation.
 - The NI-2000 and NI-3000 have six screws on top and three on each side.
 - The NI-4000 has six screws on top and four on each side.

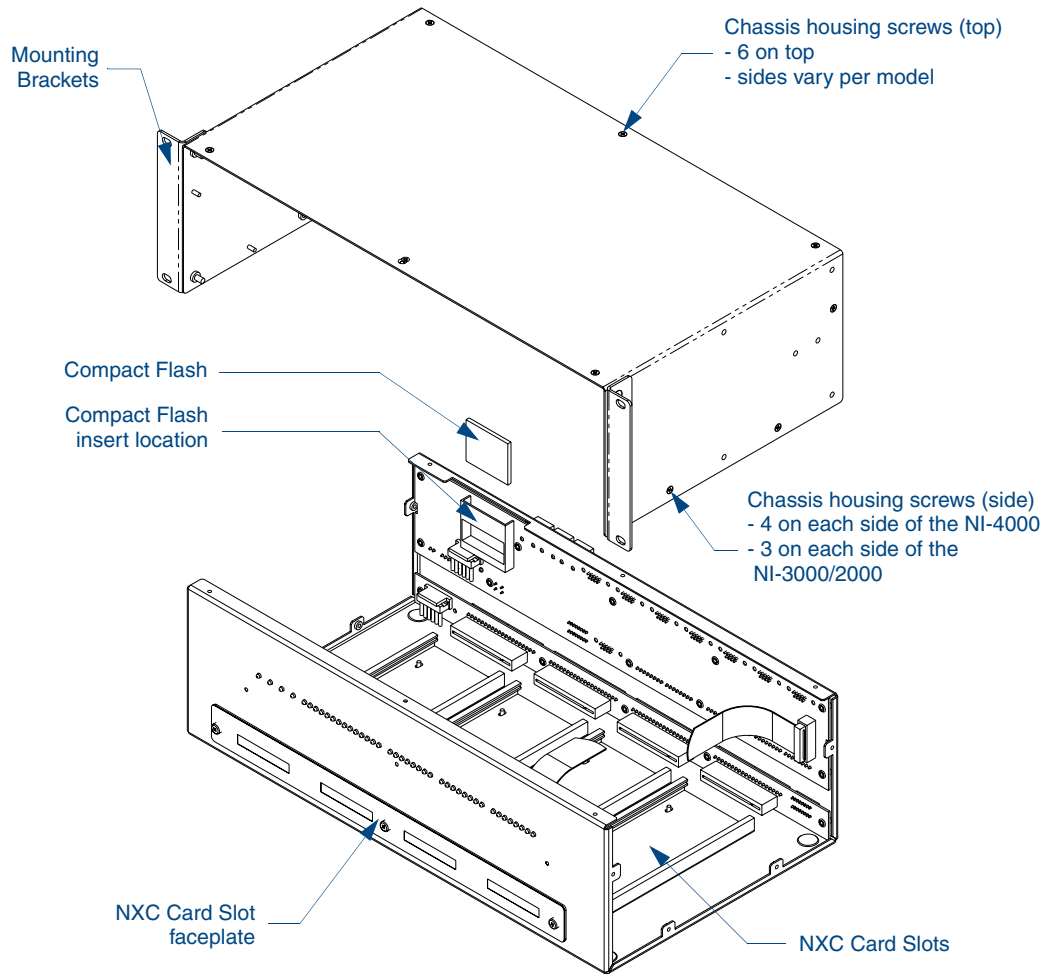


FIG. 3 Location of the Compact Flash within a sample Integrated Controller

3. Carefully pull-up and remove the housing up and away from the Controller to expose the internal circuit board (FIG. 3).
4. Refer to the following *Installation of Compact Flash Upgrades* for detailed replacement information.

Installation of Compact Flash Upgrades

1. Discharge any static electricity from your body by touching a grounded metal object.
2. Locate the 32 MB Compact Flash card on the main board. For more detailed information on component locations, refer to FIG. 3.
3. Insert the tip of a grounded flathead screwdriver into one of the Card Removal Grooves (located on either side of the card), and gently pry the card out of the slot. Repeat this process on the opposite card removal groove. This alternating action causes the card to "wiggle" away from the on-board connector pins.
4. Slip your finger into the opening between the connector pins and the card, and push the card out to remove it.
5. Remove the upgrade card from its anti-static bag.
6. Insert the upgrade card into the connector opening with the arrow facing towards the pins, then push it in firmly until the contact pins are completely inside the flash card and securely attached to the connector (FIG. 4).

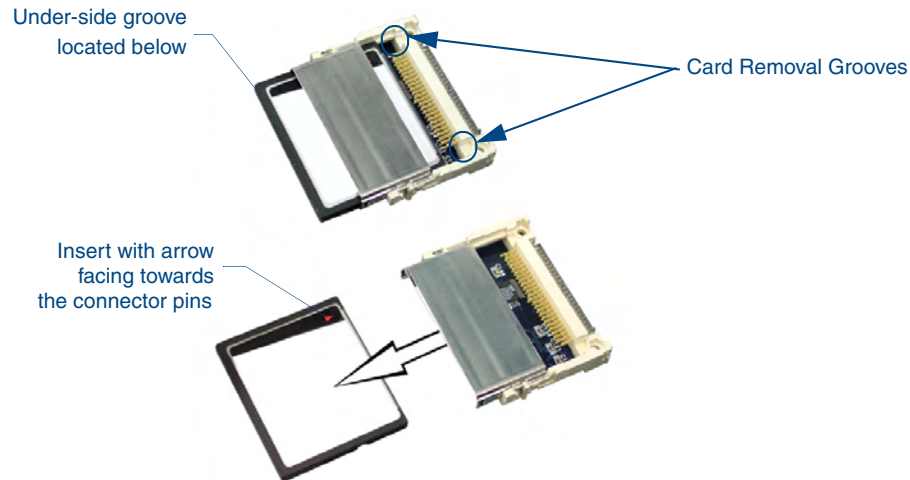


FIG. 4 Removing the Compact Flash card

7. To complete the upgrade process, close and re-secure the Integrated Controller enclosure using the procedures outlined in the following section.



NOTE

Any new internal card upgrade is detected by the Controller only after power is cycled.

Closing and Securing the Outer Housing

Once the card has been replaced, close and re-secure the outer housing:

1. Align the cover back over the unit and gently slide-down the chassis until the openings are aligned over their respective openings along both the sides and top of the unit.
2. Insert and secure the chassis housing screws back into their respective locations, as shown in FIG. 3 by using a grounded screwdriver.
3. Re-install all connectors and apply power to the unit.

Installing Into An Equipment Rack

Use the rack-mounting brackets (supplied) for equipment rack installations.

Remove the mounting brackets for flat surface installations.



NOTE

Before completing the install process, it is recommended that you complete any firmware upgrade of the NetLinx Control Cards. This upgrade involves physically cycling power to the unit and can become cumbersome if the unit is already installed into a rack. Refer to the [Upgrading the NXC Card Firmware via IP \(NI-4x00 ONLY\)](#) section on page 59 for more detailed information.

1. Discharge the static electricity from your body by touching a grounded object.
2. Position and install the mounting brackets, as shown in FIG. 5, using the screws supplied with the unit. The mounting brackets can be rotated to accommodate your mounting needs.

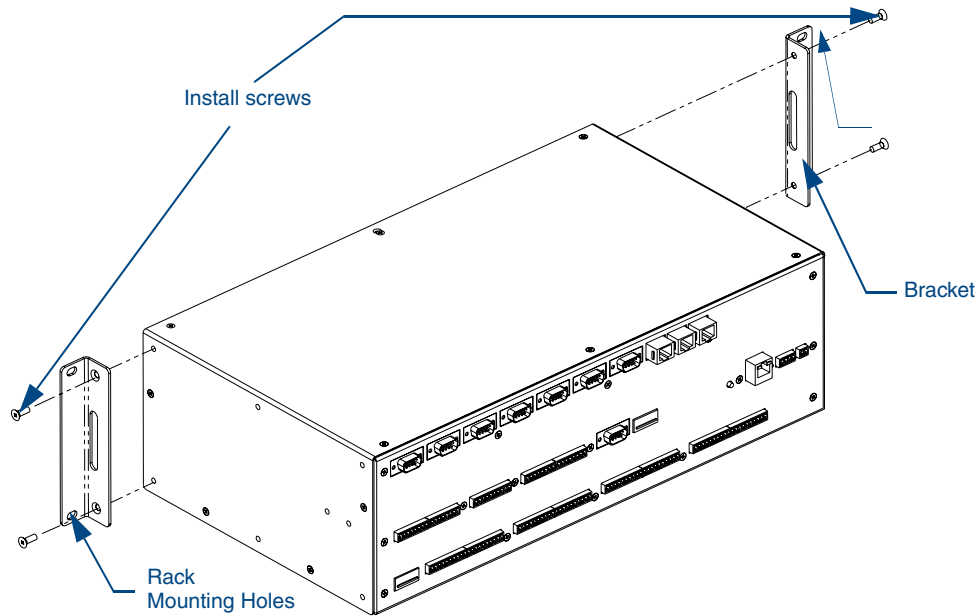


FIG. 5 Mounting Integrated Controller into an equipment rack

3. Thread the cables through the opening in the equipment rack. Allow for enough slack in the cables to accommodate for movement during the installation process.
4. Reconnect all cables to their appropriate source/terminal locations. Refer to the *Connections and Wiring* section on page 19 for more detailed wiring and connection information.
 - Verify that the terminal end of the power cable is not connected to the a power supply before plugging in the 2-pin power connector.



NOTE

To prevent repetition of the installation, test the incoming wiring by connecting the Controller's connectors to their terminal locations and applying power. Verify that the unit is receiving power and functioning properly. Disconnect the terminal end of the power cable from the connected 12 VDC-compliant power supply.

5. Slide the unit into the rack until the attachment holes, along both sides, align to their corresponding locations on the mounting brackets, as shown in FIG. 5.
6. Secure the AC-RK to the rack by using the four #10-32 screws (80-0186) and four #10 washers (80-0342) supplied in the kit.
7. Apply power to the unit to complete the installation.

Connections and Wiring





Setting the Configuration DIP Switch (for the Program Port)

Prior to installing the Controller, use the Configuration DIP switch to set the baud rate used by the Program port for communication. The Configuration DIP switch is located on the front of the Integrated Controllers.

Baud Rate Settings

Before programming the on-board Master, make sure the baud rate you set matches the communication parameters set on both your PC's COM port and those set through your NetLinx Studio v 2.4.

By default, the baud rate is set to **38,400** (bps).

Baud Rate Settings on the Configuration DIP Switch					
Baud Rate	Position 5	Position 6	Position 7	Position 8	
9600 bps	OFF	ON	OFF	ON	
38,400 bps (default)	OFF	ON	ON	ON	
57,600 bps	ON	OFF	OFF	OFF	
115,200 bps	ON	ON	ON	ON	



NOTE

Note the orientation of the Configuration DIP Switch and the ON position label. DIP switches 2,3, and 4 must remain in the OFF position at all times.

Program Run Disable (PRD) Mode

You can also use the Program port's Configuration DIP switch to set the on-board Master to Program Run Disable (**PRD**) mode according to the settings listed in the table below.

PRD Mode Settings	
PRD Mode	Position 1
Normal mode (default)	OFF
PRD Mode	ON

The **PRD** mode prevents the NetLinx program stored in the on-board Master from running when you power up the Integrated Controller. This mode should only be used when you suspect the resident NetLinx program is causing inadvertent communication and/or control problems.

If necessary, place the on-board Master in PRD mode and use the NetLinx Studio v 2.4 program to resolve the communication and/or control problems with the resident NetLinx program. Then download the new NetLinx program and try again.



Think of the PRD Mode (On) equating to a PC's SAFE Mode setting. This mode allows a user to continue powering a unit, update the firmware, and download a new program while circumventing any problems with a currently downloaded program. Power must be cycled to the unit after activating/deactivating this mode on the Program Port DIP switch #1.

Working With the Configuration DIP Switch

1. Disconnect the power supply from the 2-pin PWR (green) connector on the rear of the NetLinx Integrated Controller.
2. Set DIP switch positions according to the information listed in the *Baud Rate Settings on the Configuration DIP Switch* and *PRD Mode Settings* tables.
3. Reconnect the 12 VDC-compliant power supply to the 2-pin 3.5 mm mini-Phoenix PWR connector.

Setting the CardFrame DIP Switch (NI-4000 Only)

Refer to the *Setting the NetLinx Control Card Addresses (NI-4000 Only)* section on page 16 for a detailed explanation on this process.

Program Port Connections and Wiring

The Integrated Controllers are equipped with a Program port located on the front of the unit. Use an RS232 programming cable to establish a connection between this Program port to your PC's COM port. This connection provides communication with the NetLinx Integrated Controller. Then you can download NetLinx programs to this on-board Master using the NetLinx Studio v 2.4 software program. Refer to the *NetLinx Studio* instruction manual for programming instructions. The following table shows the rear panel Program Port connector (male), pinouts, and signals.

Program Port, Pinouts, and Signals		
Program Port Connector	Pin	Signal
<p style="text-align: center;">Male</p>	2	RX
	3	TX
	5	GND
	7	RTS
	8	CTS



When wiring the 422/485 connections, do **NOT** use pre-made 9-wire cable or connect the wire in the cable to any connection that will not be used by the DB9 serial port. Only use wiring that connects the needed pins.

Modes and Front Panel LED Blink Patterns

The following table lists the modes and blink patterns for the front panel LEDs associated with each mode. These patterns are not evident until after the unit is powered.

Modes and LED Blink Patterns				
Mode	Description	LEDs and Blink Patterns		
		STATUS (green)	OUTPUT (red)	INPUT (yellow)
OS Start	Starting the operating system (OS).	On	On	On
Boot	On-board Master is booting.	On	Off	On
Contacting DHCP server	On-board Master is contacting a DHCP server for IP configuration information.	On	Off	Fast Blink
Unknown DHCP server	On-board Master could not find the DHCP server.	Fast Blink	Off	Off
Downloading Boot firmware	Downloading Boot firmware to the Master's on-board flash memory. Do not cycle power during this process!	Fast Blink	Fast Blink	Fast Blink
No program running	There is no program loaded, or the program is disabled.	On	Normal	Normal
Normal	On-board Master is functioning normally.	1 blink per second	Indicates activity	Indicates activity

Port Assignments and Functionality

The Port Assignments are as follows:

NI-2000 Port Assignments	
Port	ICSP Port #
Serial Port #1	1
Serial Port #2	2
Serial Port #3	3
Relays Ports (1-4)	4
IR/Serial Port #1	5
IR/Serial Port #2	6
IR/Serial Port #3	7
IR/Serial Port #4	8
I/O Port	9

NI-3000/4000 Port Assignments	
Port	ICSP Port #
Serial Port #1	1
Serial Port #2	2
Serial Port #3	3
Serial Port #4	4
Serial Port #5	5
Serial Port #6	6
Serial Port #7	7
Relays Ports (1-8)	8
IR Serial Port #1	9
IR Serial Port #2	10
IR Serial Port #3	11
IR Serial Port #4	12
IR Serial Port #5	13
IR Serial Port #6	14
IR Serial Port #7	15
IR Serial Port #8	16
I/O Port	17

AXlink Port and LED

All NI units have an AXlink port and adjacent status LED (FIG. 1). This port allows the NI to support AMX Legacy AXlink devices such as G3 touch panels (*ex: CP4/A*) and PosiTrack Pilot devices. A green LED shows AXlink data activity. When the AXlink port is operating normally, blink patterns include:

- **Off** - No power, or the controller is not functioning properly
- **1 blink per second** - Normal operation.
- **3 blinks per second** - AXlink bus error. Check all AXlink bus connections.

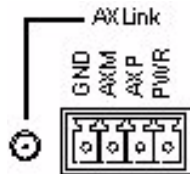


FIG. 1 AXlink connector and LED

The AXlink port can be used to supply power to downstream AXlink-compatible devices as long as both the power required is LESS THAN 2 Amps total and the external power supply feeding the NI unit has the necessary power capability.

Wiring Guidelines

The Integrated Controllers use a 12 VDC-compliant power supply to provide power through the rear 2-pin 3.5 mm mini-Phoenix PWR connector. Use the power requirements referenced in the product's Specifications table to determine the power draw.

The incoming PWR and GND cable from the power supply must be connected to the corresponding locations within the PWR connector.



This unit should only have one source of incoming power.

Using more than one source of power to the Controller can result in damage to the internal components and a possible burn out.

Apply power to the unit only after installation is complete.

Wiring length guidelines

Refer to the following tables for the wiring length information used with the different types of NetLinX Integrated Controllers:

Wiring Guidelines - NI-2000 (@ 700 mA)	
Wire size	Maximum wiring length
18 AWG	154.83 feet (47.19 meters)
20 AWG	98.30 feet (29.96 meters)
22 AWG	63.40 feet (19.32 meters)
24 AWG	38.68 feet (11.79 meters)

Wiring Guidelines - NI-3000 & NI-4000 (@ 900 mA)	
Wire size	Maximum wiring length
18 AWG	120.41 feet (39.70 meters)
20 AWG	76.45 feet (23.30 meters)
22 AWG	49.36 feet (15.04 meters)
24 AWG	30.08 feet (9.17 meters)

Preparing Captive Wires

You will need a wire stripper and flat-blade screwdriver to prepare and connect the captive wires.



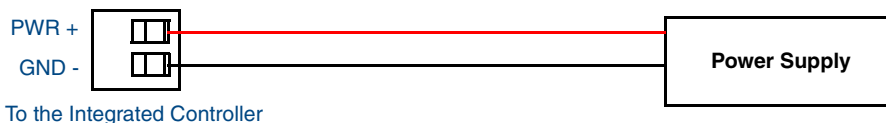
Never pre-tin wires for compression-type connections.

1. Strip 0.25 inch (6.35 mm) of insulation off all wires.
2. Insert each wire into the appropriate opening on the connector (according to the wiring diagrams and connector types described in this section).
3. Tighten the screws to secure the wire in the connector. Do not tighten the screws excessively doing so may strip the threads and damage the connector.

Wiring a Power Connection

To use the 2-pin 3.5 mm mini-Phoenix connector with a 12 VDC-compliant power supply, the incoming PWR and GND cables from the external source must be connected to their corresponding locations on connector (FIG. 2).

1. Insert the PWR and GND wires on the terminal end of the 2-pin 3.5 mm mini-Phoenix cable. **Match the wiring locations of the +/- on both the power supply and the terminal connector.**
2. Tighten the clamp to secure the two wires. *Do not tighten the screws excessively; doing so may strip the threads and damage the connector.*
3. Verify the connection of the 2-pin 3.5 mm mini-Phoenix to the external 12 VDC-compliant power supply.



To the Integrated Controller

FIG. 2 2-pin mini-Phoenix connector wiring diagram (direct power)

Using the 4-Pin Mini-Phoenix Connector For Data and Power

Connect the 4-pin 3.5 mm mini-Phoenix (female) captive-wire connector to an external NetLinX device as shown in FIG. 3.

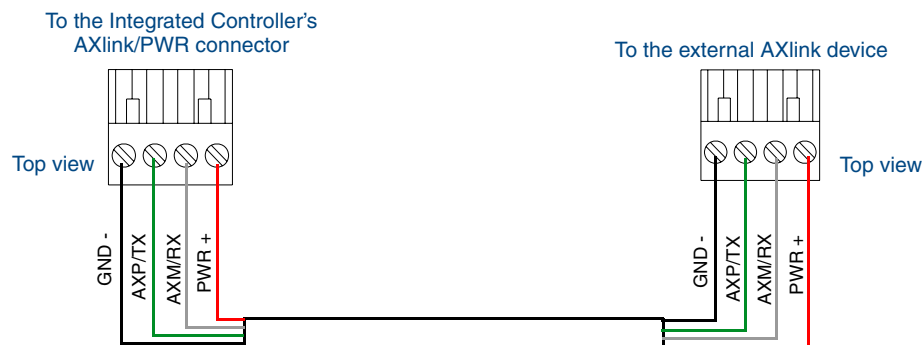


FIG. 3 Mini-Phoenix connector wiring diagram (direct data and power)

Using the 4-pin Mini-Phoenix Connector For Data With External Power

To use the 4-pin 3.5 mm mini-Phoenix (female) captive-wire connector for data communication and power transfer, the incoming PWR and GND cable from the 12 VDC-compliant power supply must be connected to the AXlink cable connector going to the Integrated Controller. FIG. 4 shows the wiring diagram. Always use a local power supply to power the Integrated Controller unit.

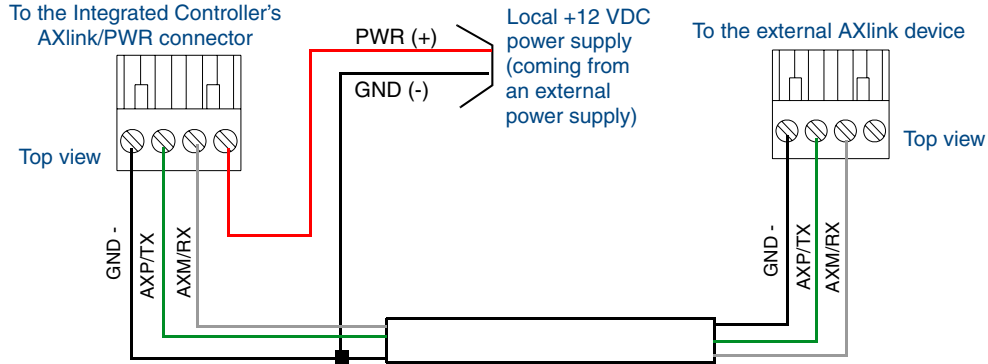


FIG. 4 4-pin mini-Phoenix connector wiring diagram (using external power source)



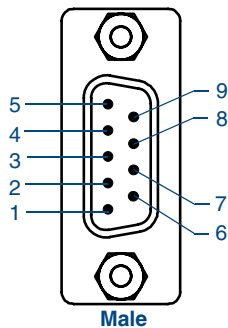
When you connect an external power supply, do not connect the wire from the PWR terminal (coming from the external device) to the PWR terminal on the Phoenix connector attached to the Controller unit. Make sure to connect **only** the AXM, AXP, and GND wires to the Controller's Phoenix connector when using an external power supply.

Make sure to connect only the GND wire on the AXlink/PWR connector when using a separate 12 VDC power supply. Do not connect the PWR wire to the AXlink connector's PWR (+) opening.

DB9 Device Port: Connections and Wiring

FIG. 5 shows the connector pinouts for the rear RS-232/RS-422/RS-485 (DB9) Device Ports.

These ports support most standard RS-232 communication protocols for data transmission. This figure gives a visual representation of the wiring specifications for the RS-232/422/485 Device connectors. Refer to the rear of the unit for more detailed connector pinout information.



DB9 Serial Port pinouts (male connector)

RS-232	RS-422	RS-485
Pin 2: RX signal	Pin 1: RX -	Pin 1: A (strap to 9)
Pin 3: TX signal	Pin 4: TX +	Pin 4: B (strap to 6)
Pin 5: GND	Pin 5: GND	Pin 5: GND
Pin 7: RTS	Pin 6: RX +	Pin 6: B (strap to 4)
Pin 8: CTS	Pin 9: TX -	Pin 9: A (strap to 1)

FIG. 5 RS-232/422/485 DB9 (male) connector pinouts for the rear Device Ports

The table below provides information about the connector pins, signal types, and signal functions. This table's wiring specifications are applicable to the rear RS-232/422/485 Device Port connectors on the:

- NI-2000 (Ports 1-3)
- NI-4000/NI-3000 (Ports 1-7)

RS-232/422/485 Device Port Wiring Specifications					
Pin	Signal	Function	RS-232	RS-422	RS-485
1	RX-	Receive data		X	X (strap to pin 9)
2	RXD	Receive data	X		
3	TXD	Transmit data	X		
4	TX+	Transmit data		X	X (strap to pin 6)
5	GND	Signal ground	X	X	
6	RX+	Receive data		X	X (strap to pin 4)
7	RTS	Request to send	X		
8	CTS	Clear to send	X		
9	TX-	Transmit data		X	X (strap to pin 1)

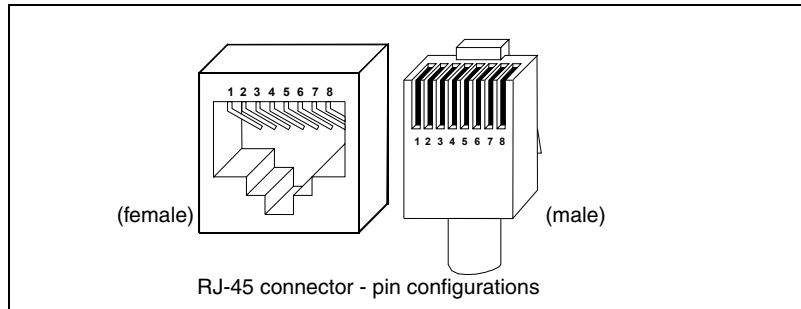
ICSNet Port: Connections and Wiring

The NI Controller must be equipped with the available ICSNet connectors for this functionality to be active. The following tables show the signal and pinouts/pairing information:

ICSNet RJ-45 Signals		
Pin	Signal-Master	Signal-Device
1	TX +	RX +
2	TX -	RX -
3	N/A	N/A
4	GND	GND
5	N/A	N/A
6	N/A	N/A
7	RX +	TX +
8	RX -	TX -

RJ-45 Pinout Information (EIA/TIA 568 B)			
Pin	Wire Color	Polarity	Function
1	Orange/White	+	Transmit
2	Orange	-	Transmit
3	Green/White	-	Mic
4	Blue	-	Ground
5	White/Blue	+	12 VDC
6	Green	+	Mic
7	White/Brown	+	Receive
8	Brown	-	Receive

TIA 568B



Unlike the ICSNet ports, the ICSHub connections require a specific polarity. The IN/OUT configuration, on the hub ports, was implemented to use the same cables as ICSNet, but these ports need TX and RX crossed. You must connect an OUT to an IN, or an IN to an OUT port.

This is done simply to keep the polarity straight. The Hub bus is still a bus. All Hub connections are bi-directional.

ICSHub OUT Port: Connections and Wiring

The NI Controller must be equipped with the available ICSNet connectors for this functionality to be active. The following table describes the pinout/signal information for the ICSHub OUT port located on the rear panel of the Integrated Controller.

ICSHub OUT Pinouts and Signals		
Pin	Signal	Color
1	RX +	orange-white
2	RX -	orange
3	-----	-----
4	-----	-----
5	-----	-----
6	-----	-----
7	TX +	brown-white
8	TX -	brown

Relay Port: Connections and Wiring

You can connect up to 8 independent external relay devices on both the NI-4000 and NI-3000 units (4 on the NI-2000) to the Relay connectors on the Integrated Controller.

- Connectors labeled A are for common; B are for output.
- Each relay is isolated and normally open.
- A metal commoning strip is supplied with each Integrated Controller to connect multiple relays.

Relay Connections

Use A for common and B for output (FIG. 6). Each relay is isolated and normally open. A metal connector strip is also provided to common multiple relays.

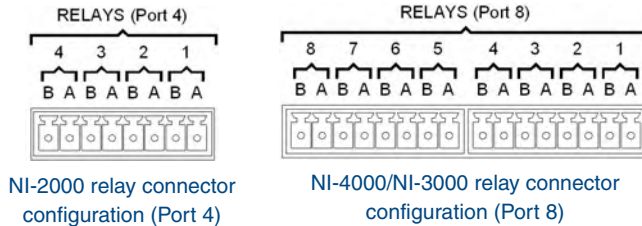


FIG. 6 RELAY connector (male)

Input/Output (I/O) Port: Connections and Wiring

The I/O port responds to either switch closures, voltage level (high/low) changes, or it can be used for logic-level outputs.

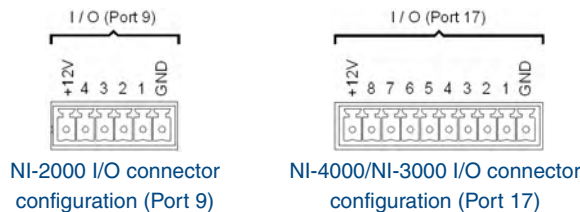


FIG. 7 INPUT/OUTPUT (I/O) connector (male)

- A contact closure between the GND and an I/O port is detected as a Push.
- When used for voltage inputs, the I/O port detects a low signal (0 - 1.5 VDC) as a Push, and a high signal (3.5 - 5 VDC) as a Release (*this I/O port uses 5V logic but can handle up to 12V without harm*).
- When used for outputs, the I/O port acts as a switch to GND and is rated for 200mA @ 12 VDC.
 - The NI-2000 can use up to 4 I/O ports
 - The NI-3000 and NI-4000 can use up to 8 I/O ports
- The PWR pin provides +12 VDC @ 200 mA and is designed as a power output for the PCS Power Current Sensors, VSS2 Video Sync Sensors (or equivalent).
- The GND connector is a common ground and is shared by all I/O ports. A common ground is shared with I/O ports 1 - 8 (NI-3000/NI-4000) or with I/O ports 1 - 3 (NI-2000).

I/O Port Wiring Specifications NI-4000 and NI-3000		
Pin	Signal	Function
1	GND	Signal GND
2	I/O 1	Input/Output
3	I/O 2	Input/Output
4	I/O 3	Input/Output
5	I/O 4	Input/Output
6	I/O 5	Input/Output
7	I/O 6	Input/Output
8	I/O 7	Input/Output
9	I/O 8	Input/Output
10	12 VDC	PWR

I/O Port Wiring Specifications NI-2000		
Pin	Signal	Function
1	GND	Signal GND
2	I/O 1	Input/Output
3	I/O 2	Input/Output
4	I/O 3	Input/Output
5	I/O 4	Input/Output
6	12 VDC	PWR

IR/Serial Port: Connections and Wiring

You can connect up to **eight** IR- or Serial-controllable devices to the IR/Serial connectors on the rear of the NI-4000 and NI-3000 and up to **four** on the NI-2000 (FIG. 8).

These connectors accept an IR Emitter (CC-NIRC) that mounts onto the device's IR window, or a mini-plug (CC-NSER) that connects to the device's control jack. You can also connect a data 0 - 5 VDC device.

These units come with two CC-NIRC IR Emitters (**FG10-000-11**).

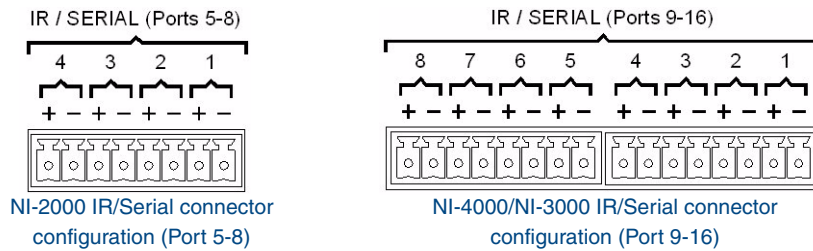


FIG. 8 IR/SERIAL (male)

The IR/Serial connector wiring specifications are listed in the following table.

IR/Serial Connector Wiring Specifications (per Port)				
Number of IR connections	NI-4000/3000 Port #	NI-2000 Port #	Signal	Function
1	9	5	GND (-) Signal 1 (+)	Signal GND IR/Serial data
2	10	6	GND (-) Signal 2 (+)	Signal GND IR/Serial data
3	11	7	GND (-) Signal 3 (+)	Signal GND IR/Serial data
4	12	8	GND (-) Signal 4 (+)	Signal GND IR/Serial data
5	13	N/A	GND (-) Signal 5 (+)	Signal GND IR/Serial data
6	14	N/A	GND (-) Signal 6 (+)	Signal GND IR/Serial data
7	15	N/A	GND (-) Signal 7 (+)	Signal GND IR/Serial data
8	16	N/A	GND (-) Signal 8 (+)	Signal GND IR/Serial data

A diagram of the 8-pin connector for ports 9-16, showing pins 1 through 8. Pins 1, 3, 5, 7 are signal lines (+) and pins 2, 4, 6, 8 are ground lines (-). The diagram shows the physical wiring of the connector with the signal and ground lines connected to the appropriate pins.

NetLinX Control Card Slot Connector (NI-4000 only)

FIG. 9 shows the 20-pin (male) connector that provides connection to the NetLinX Control Cards.

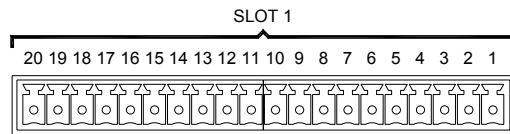


FIG. 9 NetLinX Control Card 20-pin connector

Ethernet/RJ-45 Port: Connections and Wiring

The following table lists the pinouts, signals, and pairing for the Ethernet connector.

Ethernet RJ-45 Pinouts and Signals				
Pin	Signals	Connections	Pairing	Color
1	TX +	1 ----- 1	1 ----- 2	Orange-White
2	TX -	2 ----- 2		Orange
3	RX +	3 ----- 3	3 ----- 6	Green-White
4	no connection	4 ----- 4		Blue
5	no connection	5 ----- 5		Blue-White
6	RX -	6 ----- 6		Green
7	no connection	7 ----- 7		Brown-White
8	no connection	8 ----- 8		Brown

FIG. 10 diagrams the RJ-45 pinouts and signals for the Ethernet RJ-45 connector and cable.

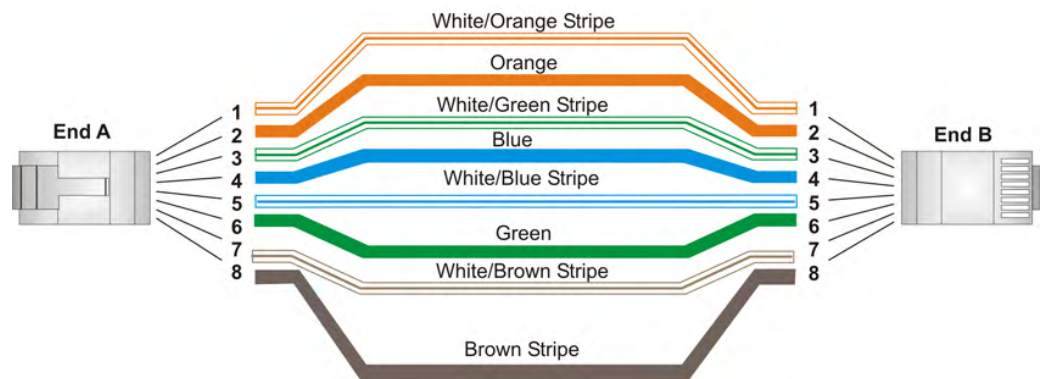


FIG. 10 RJ-45 wiring diagram

Ethernet LEDs

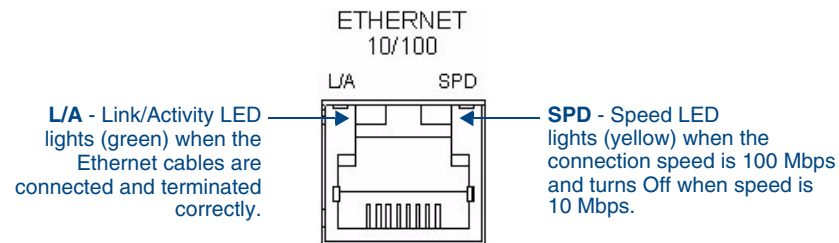


FIG. 11 Ethernet LEDs

Ethernet Ports Used By the Integrated Controller

Ethernet Port Descriptions		
Port type	Description	Standard Port #
FTP	The on-board Master has a built-in FTP server.	21/20 (TCP)
SSH	The SSH port functions using the same interface as Telnet but over a secure shell where it uses SSL as a mechanism to configure and diagnose a NetLinx system. This port value is used for secure Telnet communication. Note: SSH version 2 is only supported.	22 (TCP)
Telnet	The NetLinx Telnet server provides a mechanism to configure and diagnose a NetLinx system. For maximum flexibility, the Master can be configured to utilize a different port than 23, or disable Telnet completely from either Telnet or the Program Port located on the rear of the Master itself. Once disabled, the only way to enable Telnet again is from the Master's Program port.	23 (TCP)
HTTP	The Master has a built-in web server that complies with the HTTP 1.0 specification and supports all of the required features of HTTP v1.1. This port is used for unsecure HTTP Internet communication between the web browser's UI and the target Master.	80 (TCP)
HTTPS/SSL	This port is used by a web browser to securely communicate between the web server UI and the target Master. This port is also used to simultaneously encrypt this data using the SSL certificate information on the Master as a key.	443 (TCP)
ICSP	Peer-to-peer protocol used for both Master-to-Master and Master-to-device communications. For maximum flexibility, the Master can be configured to utilize a different port than 1319, or disable ICSP over Ethernet completely from either Telnet or the Program Port located on the rear of the Master itself. This type of communication is used by the various AMX product for communication amongst themselves.	1319 (UDP/TCP)
integration! Solutions	This feature on the Master uses, by default, port 10500 for the XML based communication protocol. This port is connected to by the client web browser's JVM when integration! Solutions control pages are retrieved from the on-board Master's web server. For maximum flexibility, the on-board Master can be configured to utilize a different port than 10500 or to disable integration! Solutions completely.	10500 (TCP)



It's Your World - Take Control™