

precision
COMFORT[®]
adjustable foundation

OWNERS MANUAL



Serial No.

CONTENTS

Advisory	4
Acoustics	6
Installation	7
Sleep Number® Mattress Installation	13
Hand Control Operation	16
Receiver Unit Operation	17
Programming	18
Accessories	23
Troubleshooting	24
1-2-20 Warranty	25

ADVISORY

IMPORTANT INFORMATION

READ THE FOLLOWING INFORMATION CAREFULLY BEFORE USING THIS PRODUCT

This Precision Comfort™ adjustable foundation has been quality engineered with design features to assure comfort and safety when operated properly.

ELECTRICAL GROUNDING

This product is equipped with a polarized, grounded electrical power cord. The power cord will only fit into a grounded, electrical surge protection device (not included) or a grounded electrical outlet.

⚠ WARNING

FOR OPTIMUM ADJUSTABLE BED OPERATION, USE A GROUNDED, ELECTRICAL SURGE PROTECTION DEVICE (NOT INCLUDED). FAILURE TO USE A SURGE PROTECTION DEVICE COULD COMPROMISE SAFETY OR CAUSE PRODUCT MALFUNCTION.

WARRANTY WARNING

Do not open any control boxes, motors or hand control devices (with the exception of the hand control and power down box battery compartments). The product warranty will be void if these components are tampered with. Do not attempt to alter component wiring or adjust or modify the structure of the product in any way or the warranty will be void. Any repair or replacement of adjustable bed parts must be performed by authorized personnel.

LUBRICATION

This product is designed to be maintenance free. The lift motors are permanently lubricated and sealed—no additional lubrication is required. Do not apply lubricant to lift motor lead screws or any nylon nuts or the bed may inadvertently creep downward from the elevated position.

PRODUCT RATINGS

The bed lift motors are *not* designed for continuous use. Reliable operation and full life expectancy will be realized as long as the lift motors do not operate any more than five (5) minutes over a thirty (30) minute period, or approximately 15% duty cycle. **Note: massage equipped beds are not designed for continuous, extended massage operation. Massage systems are rated for a maximum of 2 hours of use within any 6 hour period.** Any attempt to circumvent or exceed product ratings will shorten the life expectancy of the product and may void the warranty.

The recommended weight restrictions for Precision Comfort™ adjustable foundations are as follows: Twin-300 lbs (136.07kg), Full-375 lbs (170.09kg) and Queen-425 lbs (192.77kg). The bed will structurally support the recommended weights distributed evenly across the head and foot sections. This product is not designed to support or lift this amount only in the head or foot sections alone. **Note: Exceeding the recommended weight restrictions could damage your adjustable bed and void your warranty.**

For best performance, consumers should enter and exit the adjustable bed with the bed in the flat (horizontal) position. **DO NOT SIT ON THE HEAD OR FOOT SECTIONS WHILE IN THE RAISED POSITION.**

ADVISORY

IMPORTANT INFORMATION

READ THE FOLLOWING INFORMATION CAREFULLY BEFORE USING THIS PRODUCT

This Precision Comfort™ adjustable foundation has been quality engineered with design features to assure comfort and safety when operated properly.

SMALL CHILDREN / PETS WARNING

After the foundation is unboxed, immediately dispose of packaging material as it can smother small children and pets. To avoid injury, children or pets should not be allowed to play under or on the bed. Children should not operate this bed without adult supervision.

HOSPITAL USE DISCLAIMER

This foundation is designed for in-home use only. It is not approved for hospital use and does not comply with hospital standards. Do not use this bed with tent type oxygen therapy equipment, or use near explosive gases.

PACEMAKER WARNING

This product produces a vibrating sensation. It is possible that individuals with heart-assist pacemakers may experience a sensation similar to exercise. Consult physician for complete information.

SERVICE REQUIREMENTS

Service technicians are not responsible for moving furniture, removing headboards and footboards or any items required to perform maintenance on your adjustable foundation. In the event the technician is unable to perform service due to lack of accessibility, the service call will be billed to the purchaser and the service will have to be rescheduled.

FCC COMPLIANCE

Precision Comfort™ electrical components are rated for 110/120 voltage, 60Hz, 3.9 amp. Components meet Class B digital device rating (Part 15, FCC rules) for residential use. Precision Comfort™ adjustable foundations generate, use and may radiate radio frequency energy. Radio communication may be affected if not installed and operated as recommended in this manual.

LOCKING CASTER SAFETY FEATURE (If applicable)

The Precision Comfort™ foundation is equipped with locking casters to prohibit the bed from movement. For best results, place rubber caster cups under locking casters when the bed is located on smooth or hard surface flooring—it is possible for locking caster equipped beds to slide without the use of rubber caster cups.

To activate locking casters, push down on the lock tab. To disengage the locking mechanism, lift up the lock tab (*see illustration below*).

LOCKING CASTER
DETAIL



ACOUSTICS

LIFTING/LOWERING MECHANISMS

The lift/lower feature will emit a minimal humming sound during operation. This is normal.

During Precision Comfort™ operation, the lift arm wheels make contact with the platform support of the bed. This applies slight tension on the moving components and resonance is reduced to a minimum level. If excessive noise or vibration is experienced, reverse the movement action (up or down) of the bed with the hand control. This should realign the bed's activating mechanisms to the proper operational position.

MASSAGE OPERATION

The massage feature will emit a minimal tone during operation. This is normal. When the massage level is increased, motor resonance will intensify accordingly.

LOCATION ENVIRONMENT

The level of sound experienced during Precision Comfort™ operation is directly related to the location environment. For example, when a bed is located on a hardwood floor with the massage feature in operation, a vibrating tone will be audible. To minimize this resonance, place a piece of carpet—or optional rubber caster cups—under each leg or caster of the bed. *See the accessory sheet included with this product for rubber caster cup order information.*

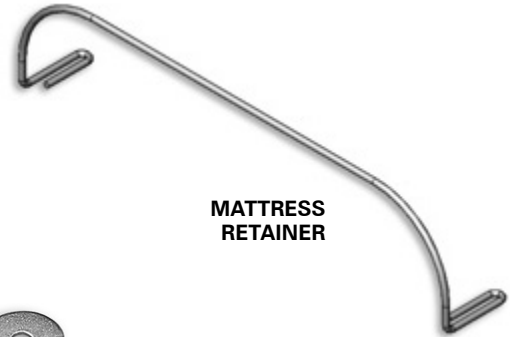
It is possible to experience vibration or noise from the headboard brackets, headboards or footboards if mounting bolts are not firmly tightened.

INSTALLATION

For Precision Comfort™ installation and setup, complete the numbered procedure indicated below and on the following pages:

1. Before discarding any packing materials, check the adjustable bed shipping carton and verify the following items are included:

- (1) Mattress Retainer
- (1) Mattress Retainer Hardware Kit
- (4) Bed Legs
- (4) Locking Leg Casters
- (2) Headboard Bracket Assemblies
- (1) Headboard Bracket Hardware Kit
- (1) Precision Comfort® Foundation Hardware Kit (not shown)
- (1) Hand Control
- (1) Owners Manual
- (1) Registration Card



MATTRESS
RETAINER



MATTRESS RETAINER
HARDWARE KIT
(hardware: 16 pieces)



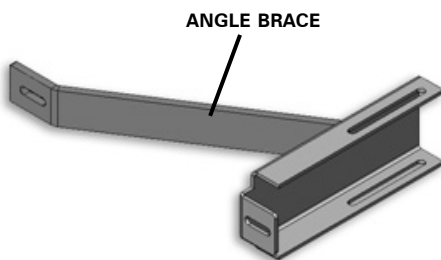
LEG (4 pieces)



LOCKING LEG CASTER
(4 pieces)

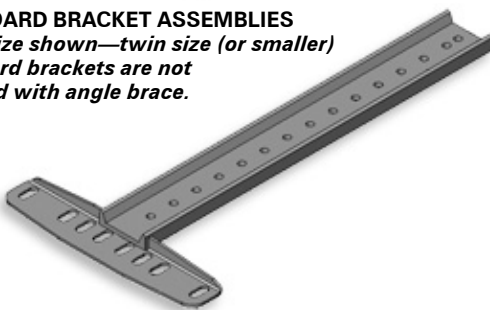


HAND CONTROL



ANGLE BRACE

HEADBOARD BRACKET ASSEMBLIES
*Queen size shown—twin size (or smaller)
headboard brackets are not
equipped with angle brace.*



HEADBOARD BRACKET
HARDWARE KIT
(hardware: 16 pieces)

INSTALLATION

- Carefully Lift the bed base frame from the shipping carton, keeping the unit top-side-down.
- Install (4) legs into the base frame. Simply screw each leg into a tapped hole at each corner of the base frame (**FIGURE 1**). Insert casters into the bottom of each bed leg (if applicable).



FIGURE 1: Precision Comfort™ leg installation. Caster installation (if applicable).

- Remove and extend out power cord from the protective packaging.

⚠ WARNING
POWER CORDS MUST NOT INTERFERE
WITH ANY ADJUSTABLE BED
MECHANISMS.

- Install (2) 9 volt batteries into the receiver unit (**FIGURES 2 and 3**). The DC receiver unit is commonly referred to as a power down box.



FIGURE 2: Receiver unit (power down box) battery compartment door removal.

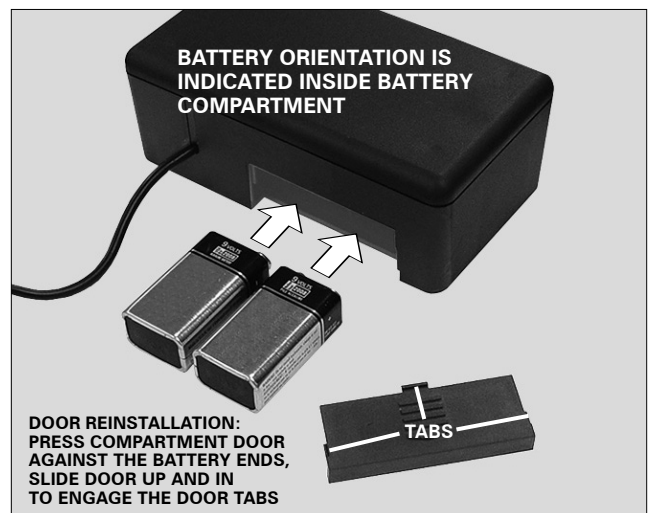


FIGURE 3: Power down box battery installation and battery compartment door reinstallation.

- Remove the plastic packaging from the bed base frame. Carefully rotate the base frame over to position the bed top-side-up.
- Plug power cord into a working, grounded electrical outlet. **Note: an electrical surge protection device is recommended (not included).**
- Install batteries in hand control. Briefly activate all functions of the bed with the hand control to verify all features are in working order. If foundation does not operate, refer to the *Troubleshooting* section of this manual.
- Return foundation to the level position.

INSTALLATION

10. Install mattress retainer as follows:

- a. Locate (1) mattress retainer and (1) mattress retainer hardware kit (bag).
- b. Install (1) cupped washer, (1) spacer and (1) flat washer on (4) mattress retainer bolts (FIGURE 4).

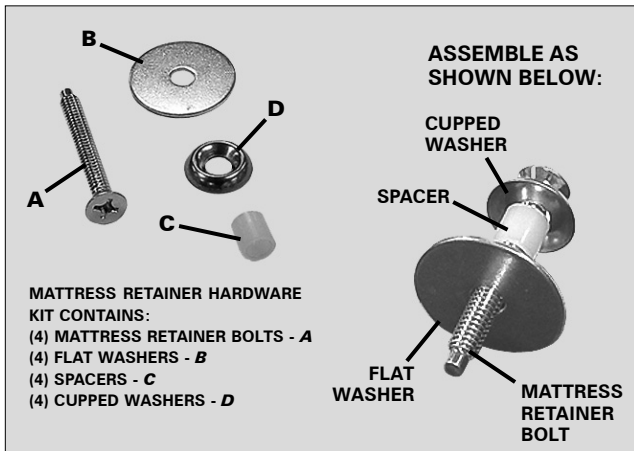


FIGURE 4: Mattress retainer hardware.

- c. Locate (4) threaded lugs in the top side of the foot section of the foundation base. The lugs will be marked with locating pins.
- d. Remove the locating pins (pull out).
- e. Install the mattress retainer bolts (loosely) into the (4) threaded lugs (FIGURE 5).
- f. Slide each U-shaped end of the mattress retainer around the mattress retainer bolts. Position the retainer ends between the spacer and the washer (FIGURE 5).

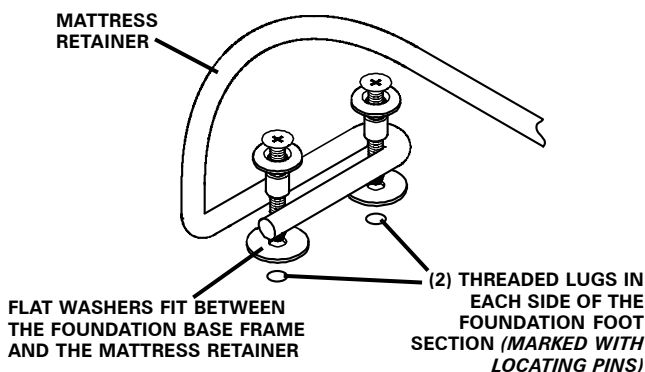


FIGURE 5: Mattress retainer installation.

- g. Tighten screws to complete mattress retainer installation (FIGURE 6).

NOTE

DO NOT USE POWER SCREWDRIVER TO INSTALL MATTRESS RETAINER. DO NOT OVERTIGHTEN MATTRESS RETAINER HARDWARE!

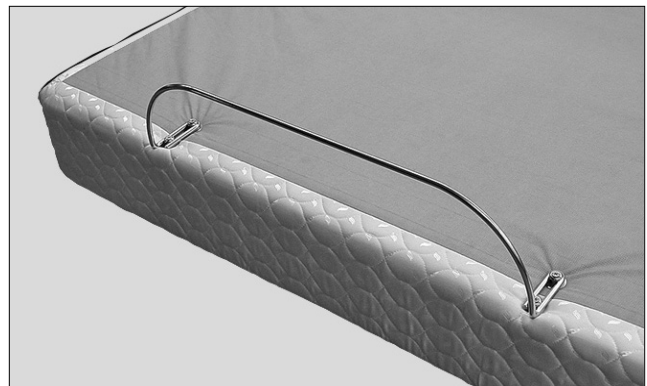


FIGURE 6: Typical mattress retainer installed.

Note: if adjustable foundation is to be set up without a headboard, install mattress on the foundation base frame and installation is complete. If headboard is to be installed, proceed to step 11.

INSTALLATION

11. Install headboard brackets to the foundation base frame. When attaching (2) twin size units to a king size headboard, use swing-away hinges (see accessories) to connect the twin units.



NOTE

FAILURE TO FOLLOW HEADBOARD BRACKET INSTALLATION INSTRUCTIONS MAY CAUSE HEADBOARD BRACKET INTERFERENCE WITH BASE FOAM DURING ADJUSTABLE BED OPERATION. BASE FOAM OR BASE COVER DAMAGE COULD RESULT.

WARNING

IN ORDER TO AVOID A PERSON OR PET BEING CAUGHT IN THE SPACE REFERENCED BELOW WHILE THE BED IS IN MOTION, THE BOTTOM OF THE HEADBOARD CROSS MEMBER MUST BE POSITIONED SO THAT THERE IS NO MORE THAN 3 INCHES (76.2mm) BETWEEN THE HEADBOARD AND THE TOP OF THE MATTRESS (FIGURE 7). *DO NOT EXCEED 3 INCHES (76.2mm)*. FAILURE TO FOLLOW THIS INSTRUCTION COULD RESULT IN SERIOUS PERSONAL INJURY OR DEATH.

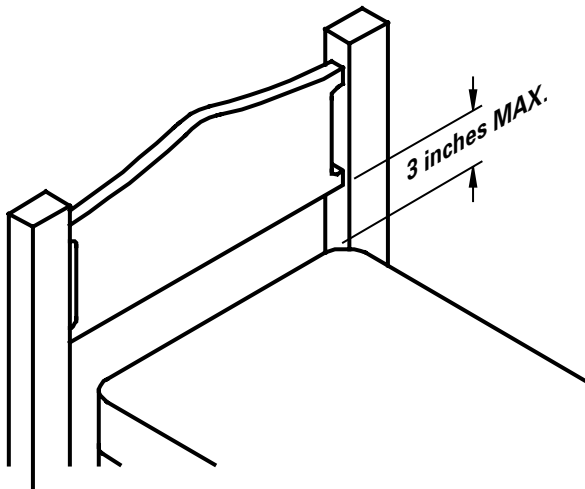


FIGURE 7: headboard cross member location must not exceed 3 inches (76.2mm) from the top of the mattress.

12. Install headboard bracket assemblies per the following procedure:
 - a. Raise the head section of the bed (with hand control) to gain access to the bed base frame.
 - b. Slide one headboard bracket channel onto one side of the bed base frame. Using (2) bolts/nuts (FIGURE 8) attach channel to base frame (FIGURE 9). Hand tighten bolts/nuts (loosely) to allow adjustment of the headboard bracket channels. Repeat procedure to install the other headboard bracket channel to the other side.

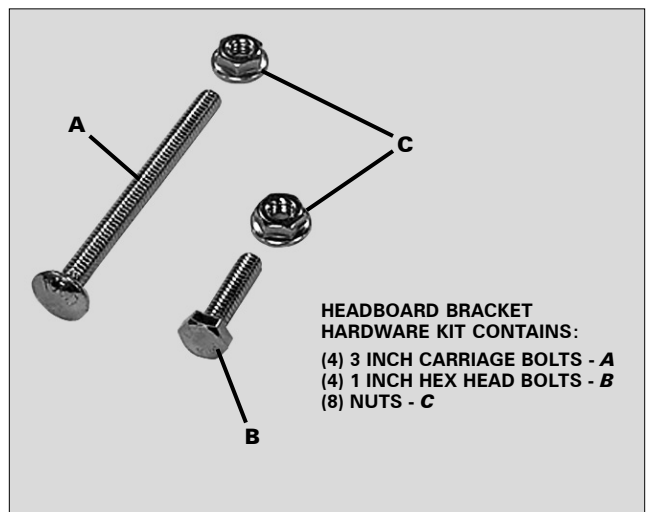


FIGURE 8: Headboard bracket hardware.

INSTALLATION

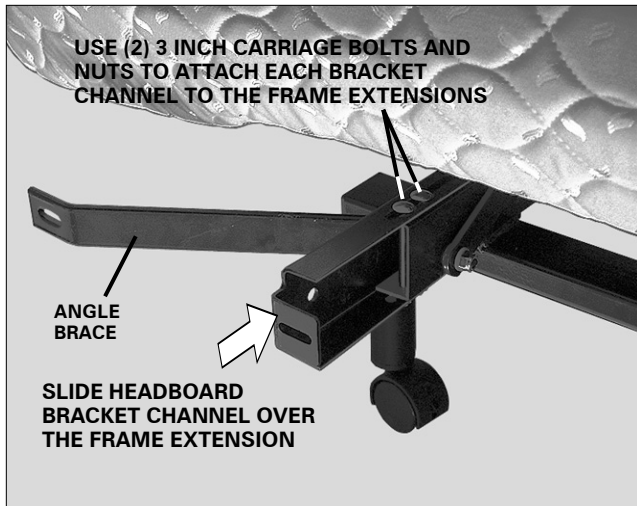


FIGURE 9: Headboard bracket channel installation (*one each side of the head section of the bed*).

- c. Attach one headboard bracket flange to one of the bracket channels with (2) bolts/nuts. (FIGURE 10) Tighten bolts. Repeat procedure to attach the other headboard bracket flange.*

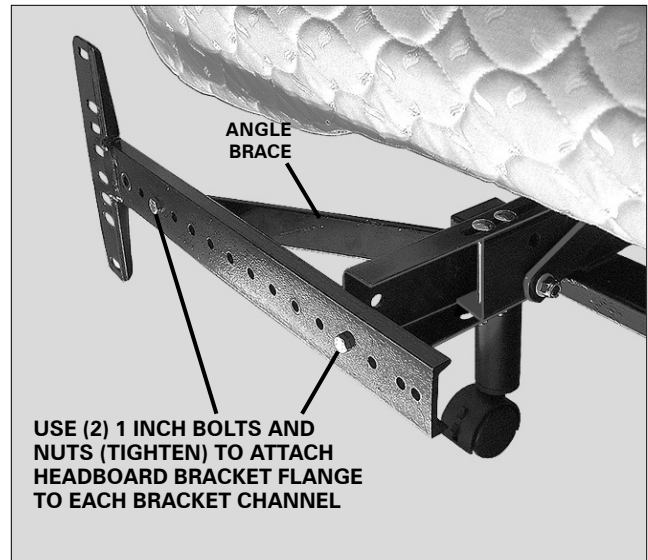


FIGURE 10: Headboard bracket flange installation (*attach one flange to each of the headboard bracket channels*).



NOTE

QUEEN SIZE HEADBOARD BRACKET ASSEMBLIES ARE SHOWN. TWIN SIZE HEADBOARD BRACKETS (OR SMALLER) ARE NOT EQUIPPED WITH ANGLE BRACE (FIGURES 9 and 10).

INSTALLATION

- d. Slide headboard bracket assemblies (in or out) to achieve a distance of 1.5 inches (38.1mm) to 2 inches (50.8mm) between the edge of the foundation base and headboard bracket flange assemblies (**FIGURE 11**).
- e. Firmly tighten the 3 inch carriage bolts of both headboard bracket channels.
- f. Measure the distance (center-to-center) between the mounting holes in the headboard.
- g. Measure the center-to-center distance between the mounting slots of the headboard bracket flanges (**FIGURE 12**).
- h. If bracket flange adjustment is required to accept the headboard, remove the 1 inch headboard bracket flange bolts and move flanges side-to-side for the adjustment (**FIGURE 12**). Reinstall bolts and tighten.
- i. Install headboard.

13. Install mattress on the foundation.

Typical Precision Comfort™ installation is now complete.

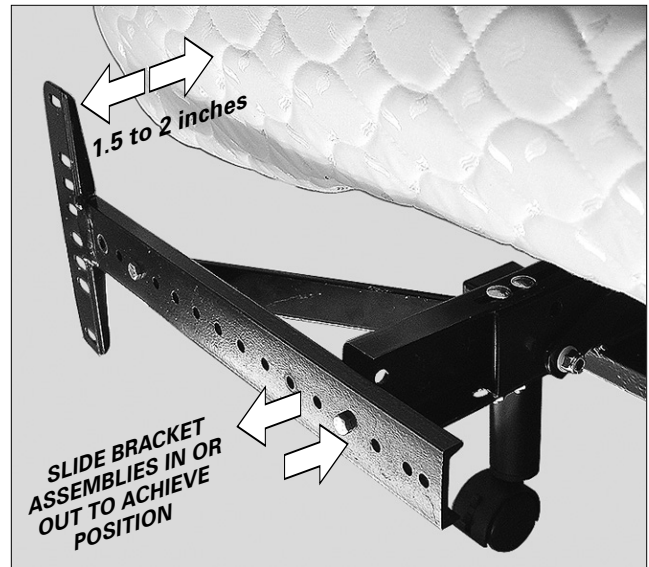


FIGURE 11: Headboard bracket position from the edge of the foundation base frame.

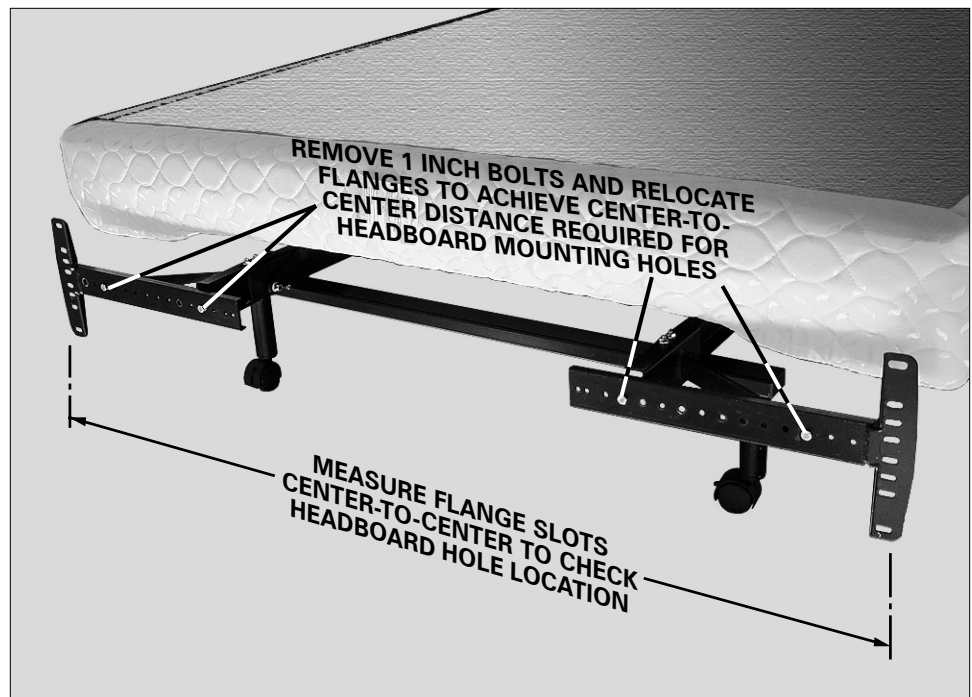


FIGURE 12: Headboard bracket measurement and adjustment to accept headboard.

Sleep Number® MATTRESS INSTALLATION

INSTALLATION INSTRUCTIONS

Tools required—utility knife, Phillips® head screwdriver.

Install the Sleep Number® mattress, per the following procedure:

1. Verify Precision Comfort® adjustable foundation setup is complete.
2. Identify and remove (2) locator pins in the adjustable foundation (**FIGURES 13 and 14**). **Note: approximate locator pin position is 32-1/2" from the top and 6" from the side of the adjustable foundation.** Locator pins mark threaded lug location used for Sleep Number® mattress attachment.
3. Unzip the top panel of the Sleep Number® mattress cover and set the panel aside.
4. Position the bottom of the Sleep Number® mattress on top of the adjustable foundation.
5. Insert foam border walls and corner locks into the mattress cover per the Sleep Number® mattress installation instructions.
6. Align the Sleep Number® mattress cover flush against the adjustable foundation mattress retainer bar (at the foot end of the bed). Align the top and side edges of the mattress cover flush with the adjustable foundation so the mattress cover and the foundation are a matched pair.
7. Locate the 2 threaded lug mounting locations (with fingers).

IMPORTANT: Wash hands before beginning installation. Residue on hands will easily transfer to cloth covered bedding components.

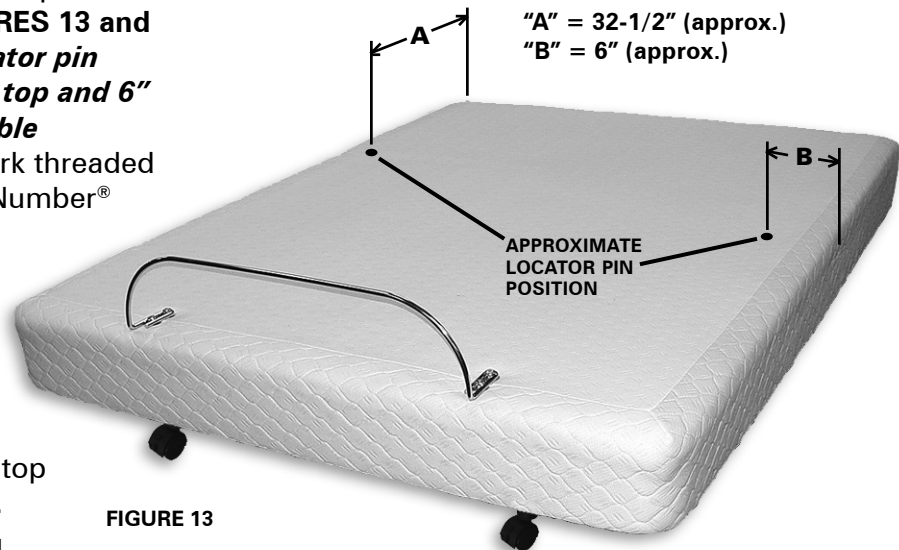


FIGURE 13

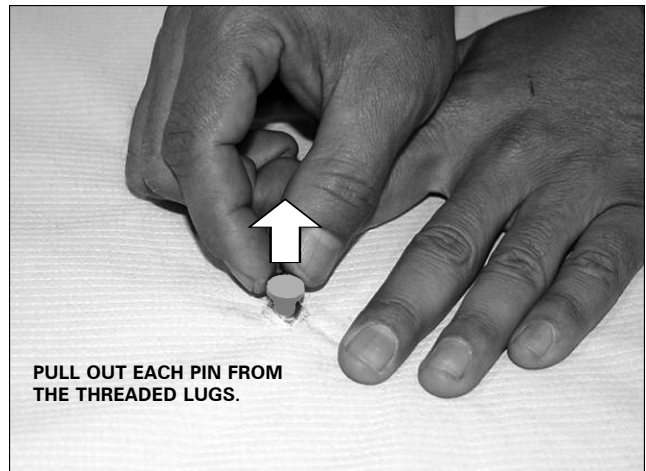


FIGURE 14: Locator pin removal.



NOTE

EXACT SIDE AND END ALIGNMENT OF THE SLEEP NUMBER® MATTRESS COVER ASSEMBLY WITH THE ADJUSTABLE FOUNDATION MUST BE ACHIEVED BEFORE PROCEEDING TO STEP 8.

Sleep Number® MATTRESS INSTALLATION

WARNING

EXERCISE EXTREME CAUTION WHEN USING UTILITY KNIFE! THE DANGER OF SERIOUS FINGER CUTS ARE POSSIBLE IF UTILITY KNIFE IS NOT USED CORRECTLY.

8. At each threaded lug location, make a small cut (no larger than 1/4" long) through the mattress cover fabric with a utility knife (**FIGURE 15**).
9. Position a large plastic washer over each cut in the mattress cover fabric (**FIGURE 15**).
10. Position a metal washer over each plastic washer (**FIGURE 15**).
11. Insert one of the mounting bolts through both washers and screw into one of the mounting lugs. ***Snug fit...Do not overtighten!***
12. Insert the other mounting bolt per Step 11.

13. Complete mattress setup per the Sleep Number® installation instructions. This will include fitting the base pad, air chambers, center wall and topper pad.
14. Position and zip the top panel to the Sleep Number® mattress cover to complete installation.



NOTE

SLEEP NUMBER® MATTRESS HARDWARE AND COMPONENTS VARY PER MODEL.

Sleep Number® MATTRESS INSTALLATION



NOTE

IF ADJUSTABLE FOUNDATION SERVICE IS REQUIRED, REMOVE THE SLEEP NUMBER® MATTRESS BEFORE THE SERVICE TECHNICIAN ARRIVES.

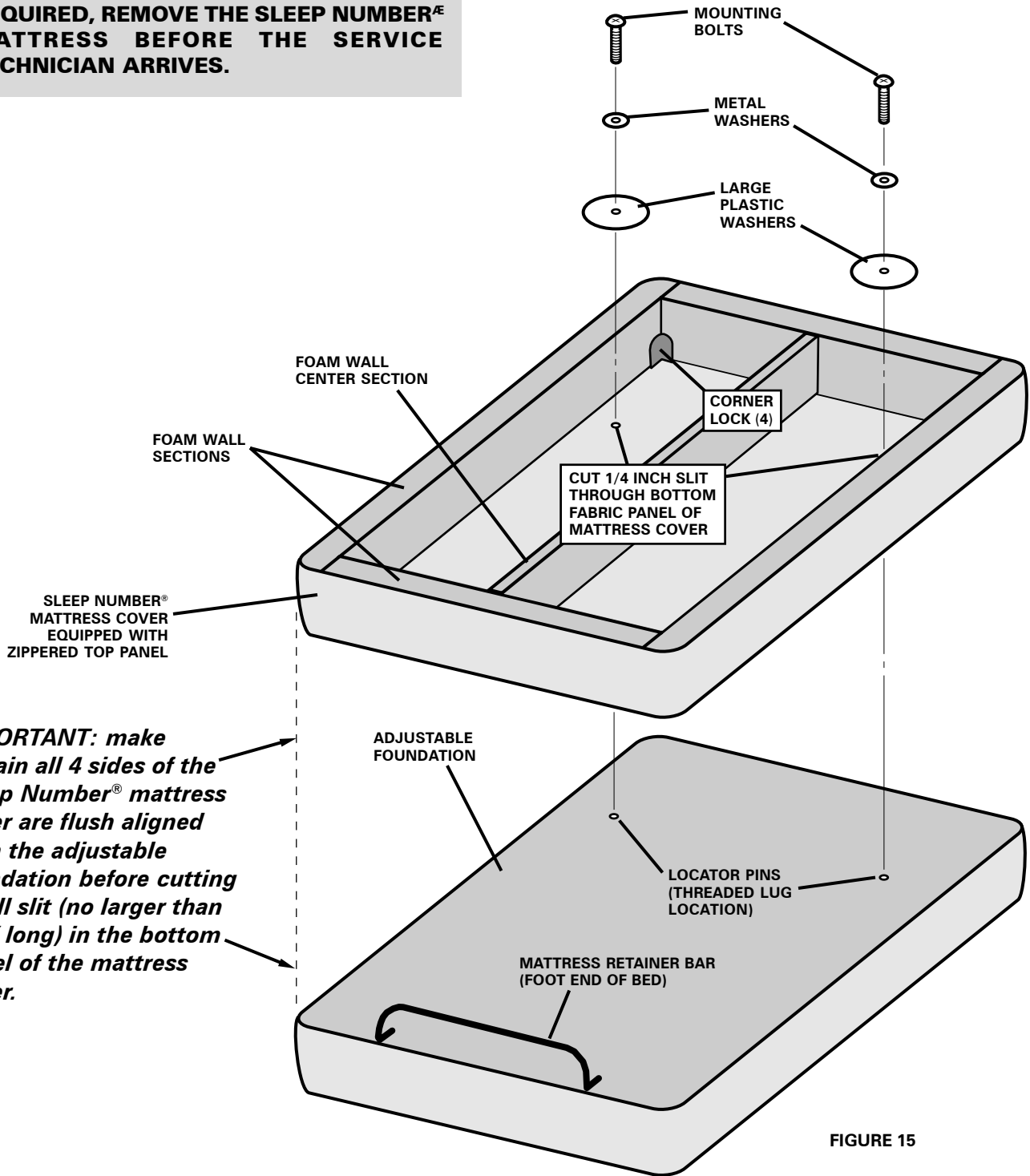
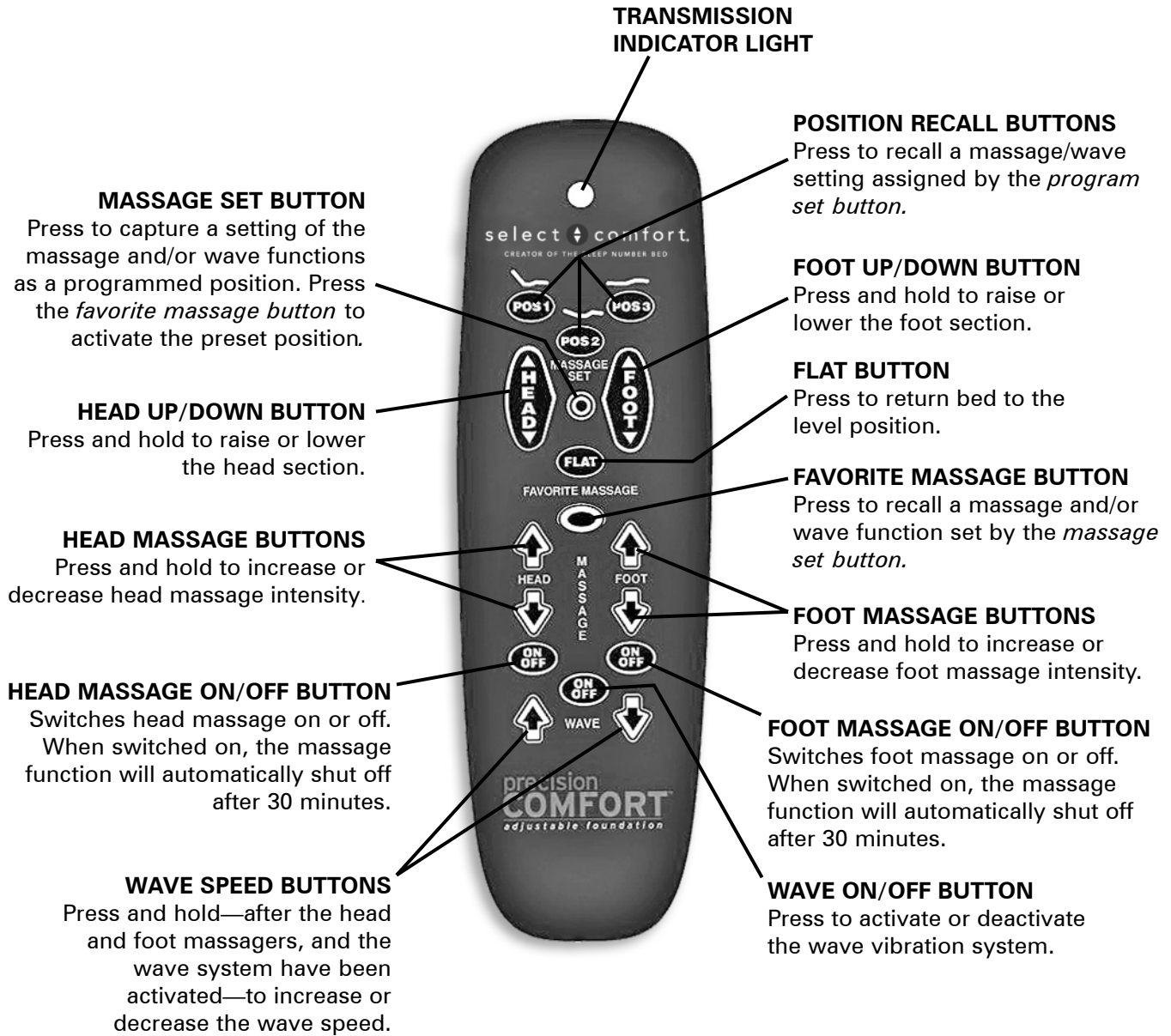


FIGURE 15

HAND CONTROL OPERATION



NOTE

HAND CONTROL REQUIRES FOUR (4) AAA SIZE BATTERIES. TO CONSERVE BATTERY LIFE, THE TRANSMITTER TURNS OFF ALL FUNCTIONS WHEN ANY BUTTON IS PRESSED FOR MORE THAN 50 SECONDS.

RECEIVER UNIT OPERATION

In case of a power outage, press and hold the *learn button* on the receiver unit (power down box) to lower the bed to the flat position (**FIGURE 18**).

This function is only for lowering the bed and will not operate the bed to any other position. The (2) 9 volt batteries should be replaced after this function is used.

In the event the power down feature does not work, check to make sure the (2) 9 volt batteries are good.

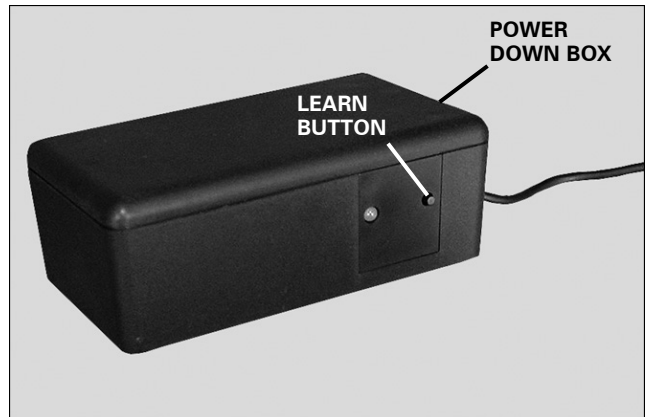


FIGURE 16: Power down box learn button.

PROGRAMMING 1 hand control - 1 bed

The two step procedure below is required to program 1 hand control to operate 1 bed. Before beginning, make certain the bed is plugged into a working grounded electrical outlet.

STEP 1

Locate the receiver unit (power down box) for the bed and press the *learn button* for 1 second and release (**FIGURE 16**).

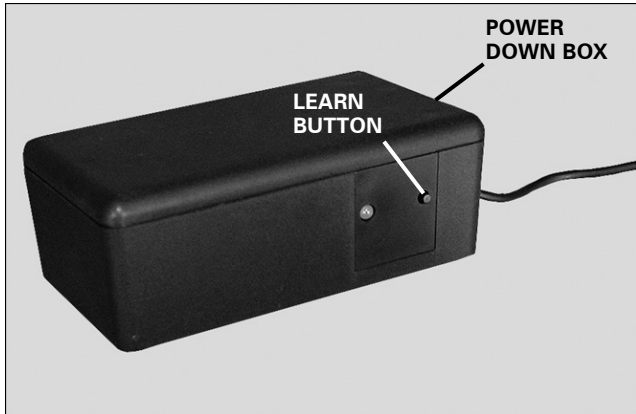


FIGURE 16: Power down box learn button.

STEP 2

On the hand control, simultaneously press and hold the *POS 1* and *head massage on/off* buttons (**FIGURE 17**). The transmission indicator light will flash slowly and then flash rapidly. Continue to hold for 5 seconds and then release the buttons.

One hand control is now programmed to operate one bed.

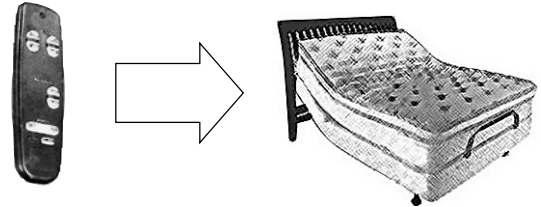


FIGURE 17



NOTE

IF PROGRAMMING FAILS, INITIATE THE PROGRAMMING PROCEDURE A SECOND TIME.

PROGRAMMING 2 hand controls - 1 bed

The three step procedure below is required to program 2 hand controls to operate 1 bed. Before beginning, make certain the bed is plugged into a working grounded electrical outlet.

STEP 1

Locate the power down box for the bed and press the *learn button* for 1 second and release (**FIGURE 16**).

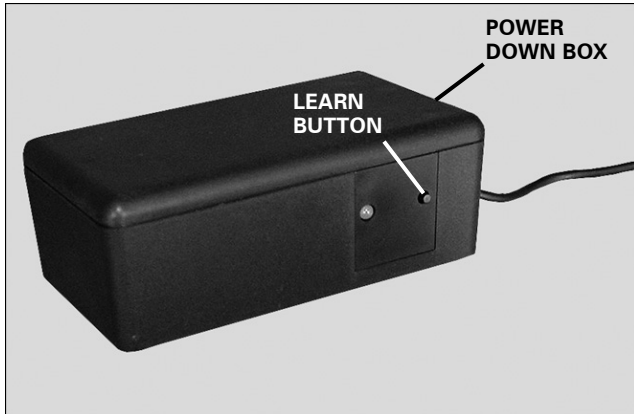


FIGURE 16: Power down box learn button.

STEP 2

On hand control 1, simultaneously press and hold the *POS 1* and the *head massage on/off buttons* (**FIGURE 17**). The transmission indicator light will flash slowly and then flash rapidly. Continue to hold for 5 seconds and then release the buttons.

STEP 3

Repeat Step 1 and Step 2 with hand control 2.

Two hand controls are now programmed to operate one bed.

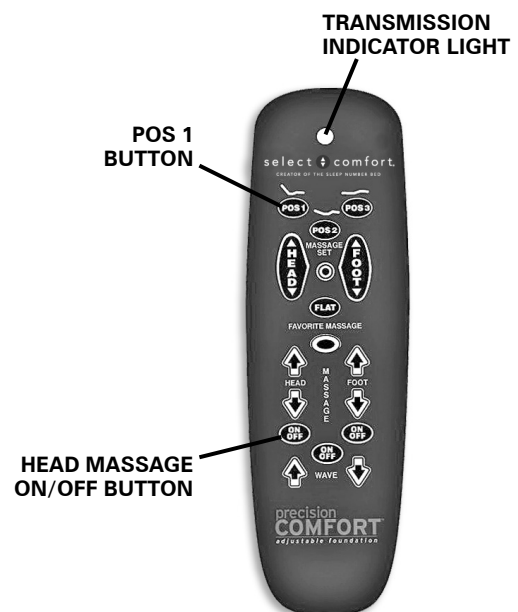
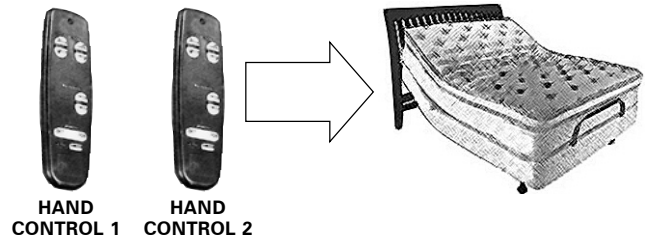


FIGURE 17

NOTE

IF PROGRAMMING FAILS, INITIATE THE PROGRAMMING PROCEDURE A SECOND TIME.

PROGRAMMING 1 hand control - 2 beds

The three step procedure below is required to program 1 hand control to operate 2 beds. Before beginning, make certain the beds are plugged into a working grounded electrical outlet.

STEP 1

Locate the power down box for bed 1 and press the *learn button* for 1 second and release (**FIGURE 16**).

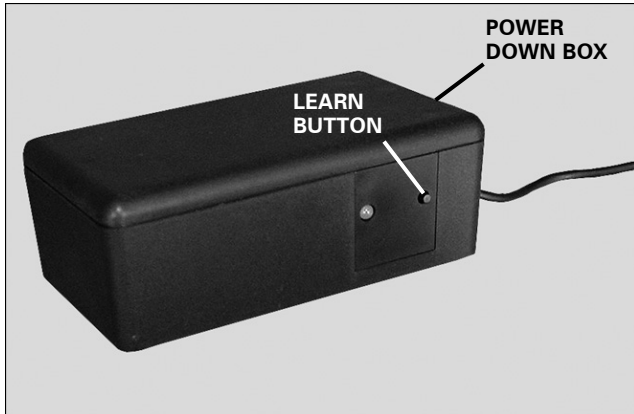


FIGURE 16: Power down box learn button.

STEP 2

On the hand control, simultaneously press and hold the *POS 1* and the *head massage on/off buttons* (**FIGURE 17**). The transmission indicator light will flash slowly and then flash rapidly. Continue to hold for 5 seconds and then release the buttons.

STEP 3

Repeat Step 1 and Step 2 with bed 2

One hand control is now programmed to operate two beds.

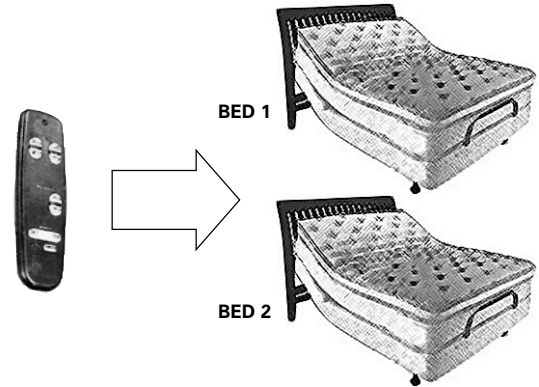


FIGURE 17



NOTE

IF PROGRAMMING FAILS, INITIATE THE PROGRAMMING PROCEDURE A SECOND TIME.

PROGRAMMING 2 hand controls - 2 beds

The six step procedure below is required to program 2 hand controls to operate 2 beds. Before beginning, make certain the beds are plugged into a working grounded electrical outlet.

STEP 1

Locate the power down box for bed 1 and press the *learn button* for 1 second and release (**FIGURE 16**).

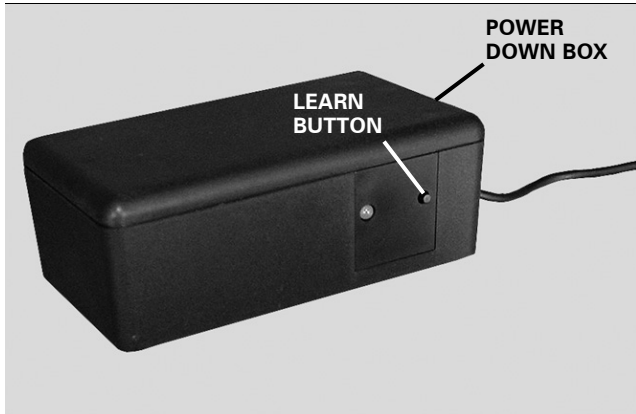


FIGURE 16: Power down box learn button.

STEP 2

On hand control 1, simultaneously press and hold the *POS 1* and the *head massage on/off buttons* (**FIGURE 17**). The transmission indicator light will flash slowly and then flash rapidly. Continue to hold for 5 seconds and then release the buttons.

STEP 3

Repeat Step 1 and Step 2 with hand control 2.

STEP 4

Locate the power down box for bed 2 and press the *learn button* for 1 second and release. (**FIGURE 16**).

STEP 5

On hand control 1, simultaneously press and hold the *POS 1* and the *head massage on/off buttons* (**FIGURE 17**). The transmission indicator light will flash slowly and then flash rapidly. Continue to hold for 5 seconds and then release the buttons.

STEP 6

Repeat Step 4 and Step 5 with hand control 2.

Two hand controls are now programmed to operate two beds.

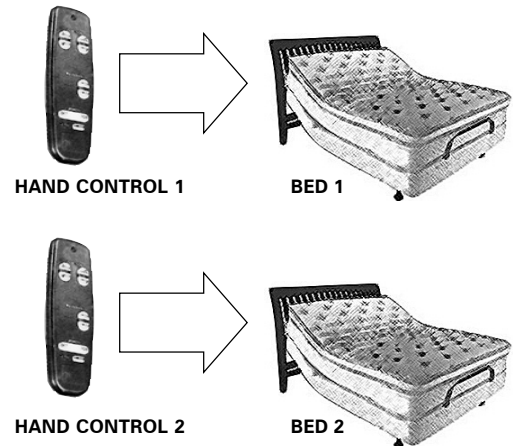


FIGURE 17

NOTE

IF PROGRAMMING FAILS, INITIATE THE PROGRAMMING PROCEDURE A SECOND TIME.

PROGRAMMING *separating 2 beds*

The six step procedure below is required to separate 2 hand controls from operating 2 beds. One hand control per bed operation will result. Before beginning, make certain the beds are plugged into a working grounded electrical outlet.

STEP 1

Locate the power down box for bed 1 and press the *learn button* for 1 second and release (**FIGURE 16**).

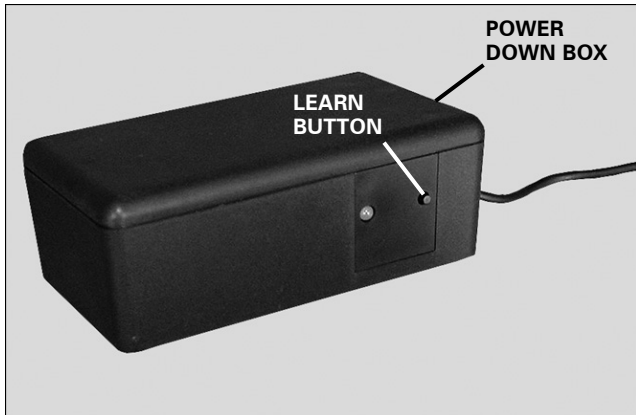


FIGURE 16: Power down box learn button.

STEP 2

On hand control 1, simultaneously press and hold the *POS 1* and the *head massage on/off buttons* (**FIGURE 17**). The transmission indicator light will flash slowly and then flash rapidly. Continue to hold for 5 seconds and then release the buttons.

STEP 3

Repeat Step 1 and Step 2 with hand control 1. **Note: wait 90 seconds before proceeding to Step 4.**

STEP 4

Locate the power down box for bed 2 and press the *learn button* for 1 second and release. The bed will be equipped with either a *power down box* or *J box* (**FIGURE 16**).

STEP 5

On hand control 2, simultaneously press and hold the *POS 1* and the *head massage on/off buttons* (**FIGURE 17**). The transmission indicator light will flash slowly and then flash rapidly. Continue to hold for 5 seconds and then release the buttons.

STEP 6

Repeat Step 4 and Step 5 with hand control 2. Independent hand control operation is now restored (hand control 1 operating bed 1; hand control 2 operating bed 2).

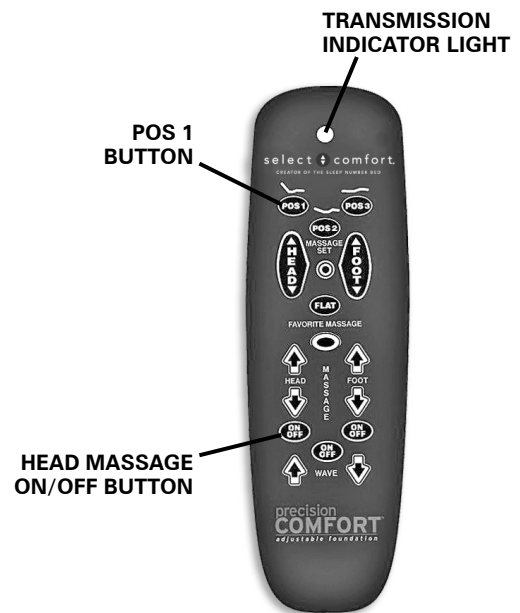
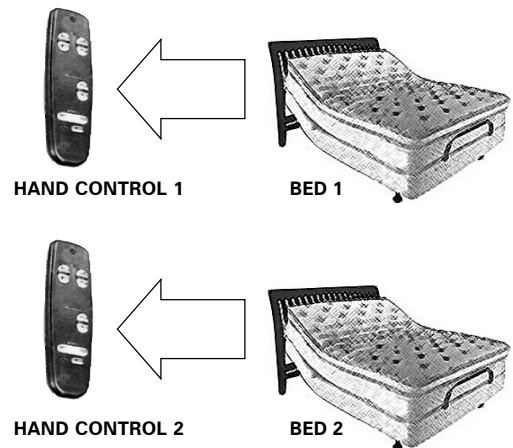


FIGURE 17

NOTE

IF PROGRAMMING FAILS, INITIATE THE PROGRAMMING PROCEDURE A SECOND TIME.

ACCESSORIES

Precision Comfort™ OPTIONAL EQUIPMENT

Contact your nearest Select Comfort® retail dealer or call toll free at 800-582-7216 for accessory pricing and to order the accessories indicated in the chart below:

ACCESSORY DESCRIPTION	CODE
Glides ¹ (set of 4, replaces legs)	107397
7" Legs (set of 4)	107399
Swing-away Hinges	107396
Bed Straps (connects 2 Precision Comfort® foundations together)	107398

¹ Headboard brackets cannot be used with glides.



107397



107398



107396



107399

TROUBLESHOOTING

In the event the Precision Comfort™ adjustable bed fails to operate, investigate the symptoms and possible solutions provided in the chart below:

SYMPTOM	SOLUTION
Hand control illuminates and appears to be operable, but will not activate bed.	<ul style="list-style-type: none"> • Verify power cord is plugged into a working, grounded electrical outlet. <i>A grounded, electrical surge protection device is recommended.</i> Test outlet by plugging in another working appliance.
No features of the adjustable bed will activate.	<ul style="list-style-type: none"> • Program the hand control (see <i>Programming</i>, for procedures). If equipped with power down box, make certain power down box is easily accessible. Relocate power down box if required. • Unplug power cord, wait 45 seconds and plug in to reset electronic components. • Electrical circuit breaker may be tripped. Check electrical service breaker box to verify. • Defective surge protection device or electrical outlet. Test outlet by plugging in another working appliance.
Hand control will not illuminate.	<ul style="list-style-type: none"> • Replace batteries in the hand control.
Head or foot section will elevate, but will not return to the horizontal (flat) position.	<ul style="list-style-type: none"> • Bed mechanism may be obstructed. Elevate bed and check for obstruction. Remove obstruction. • Head section may be too close to the wall. • Headboard may be too close the edge of the mattress. Verify a 1.5" (38.1mm) to 2" (50.8mm) distance between headboard brackets and mattress. Adjust if required.
Excessive massage motor noise.	<ul style="list-style-type: none"> • Verify headboard brackets were removed during installation. Remove headboard brackets if still attached to the underneath side of bed. • If bed is located on hard surface flooring, place carpet pieces or rubber caster cups under each leg or caster of the bed. (see accessory sheet, included with this product, for rubber caster cup order information). • Elevate the head or foot section a short distance (with the hand control) to realign the lift/lower mechanisms with the bed support platform. • Verify that bed is not positioned against a wall, nightstand, or other object that may cause vibration or noise. • If adjustable bed is installed over a bed frame, verify massage motors are not causing bed frame (or bed frame components) to vibrate. • Verify that headboard attachment hardware is tightened firmly (if used).

1-2-20 WARRANTY

Leggett & Platt, Incorporated (“L&P”) warrants this adjustable bed to the consumer who is the original purchaser (the “purchaser”), subject to the terms and conditions set forth herein. This warranty begins on the “warranty commencement date” which is the date of purchase for new unused beds and the date of manufacture for beds that have been used as floor or display models. Thus, on a floor model bed, the warranty is a portion of the limited 20-year warranty.

FULL 1 YEAR WARRANTY

This adjustable bed is warranted against defects in the workmanship or materials for a period of one year from the warranty commencement date. Upon notice during the first year after the warranty commencement date, L&P will repair or replace (at no cost to the purchaser) any defective adjustable bed part, and L&P will pay all authorized labor and transportation costs associated with the repair or replacement of any parts found to be defective.

2-YEAR LIMITED WARRANTY

During the second year from the warranty commencement date, upon receipt of notice, L&P will replace any adjustable bed part found to be defective. This limited two year warranty shall not apply unless the defective part is returned to L&P within ten (10) days of purchaser’s receipt of the replacement part. Purchaser shall pay all service and transportation costs related to the replacement of the defective part.

20-YEAR LIMITED WARRANTY

Upon notice during the third through the twentieth years from the warranty commencement date, L&P will replace, upon terms and conditions set forth in this paragraph, any mechanical bed part found to be defective. **Electronics, electrical components, drive motors and massage motors are excluded.** Purchaser shall pay 1/18 of the then current replacement cost of the defective part multiplied by the number of years after two (2) years from the warranty commencement date, and L&P shall bear the

remainder of the cost of the replacement part. This twenty (20) year warranty shall not apply unless the defective part is returned to L&P within ten (10) days of purchaser’s receipt of the replacement part. Purchaser shall pay all service and transportation costs related to the replacement of the defective part. After the twentieth year, purchaser shall bear the entire cost of repair and replacement of all parts and materials, including labor and transportation.

ADDITIONAL TERMS AND CONDITIONS

This warranty does not apply; (a) to any damage caused by the purchaser; (b) if there has been any repair or replacement of adjustable bed parts by an unauthorized person; (c) if the adjustable bed has been mishandled (whether in transit or by other means), subjected to physical or electrical abuse or misuse, or otherwise operated in any manner inconsistent with the operation and maintenance procedures outlined in the Owners Manual and this warranty; (d) to damage to mattresses, fabric, cables, electrical cords or items supplied by dealers. Contact the dealer for warranty information on these items; (e) if there has been any modification of the adjustable bed **without prior written consent by L&P**; (f) to costs for unnecessary service calls, including costs for in-home service calls solely for the purpose of educating the consumer about the adjustable bed or finding an unsatisfactory power connection; (g) if the recommended weight restrictions are not followed (300-Twin; 375-Full; 425-Queen), the warranty will be void.

Continued on back of page...

1-2-20 WARRANTY

Repairs to or replacement of an adjustable bed or its components under the terms of this limited warranty will apply to the original warranty period and will not serve to extend such period.

The decision to repair or to replace defective parts under this warranty shall be made, or cause to be made, by L&P at its option and in its sole discretion.

Repair or replacement shall be the sole remedy of the purchaser. There shall be no liability on the part of L&P for any special, indirect, incidental, or consequential damages or for any other damage, claim, or loss not expressly covered by the terms of this warranty.

This limited warranty does not include reimbursement for inconvenience, removal, installation, setup time, loss of use, shipping, or any other costs or expenses. Leggett & Platt or its service technicians shall not be responsible for moving furniture, removing headboards & footboards or any other items in order to perform service on your adjustable bed.

It is the sole responsibility of the purchaser to provide adequate space and accessibility to the adjustable bed. In the event that the technician is unable to perform service due to lack of accessibility, the service call will be billed to the purchaser and the service will have to be rescheduled.

L&P makes no other warranty whatever, express or implied, and all implied warranties of merchantability and fitness for a particular purpose are disclaimed by L&P and excluded from this agreement.

Some states do not allow the exclusion or limitation of incidental or consequential damages, so the above limitation or exclusion may not apply to every purchaser.

This warranty gives the purchaser specific legal rights, and the purchaser may also have other rights, which may vary from state to state. This warranty is valid in all 50 states, Puerto Rico, and Canada.

CONTACT INFORMATION

Select Comfort
Customer Service Department
6105 Trenton Lane North
Minneapolis, MN 55442
800-580-7216

select  comfort.

CREATOR OF THE SLEEP NUMBER® BED