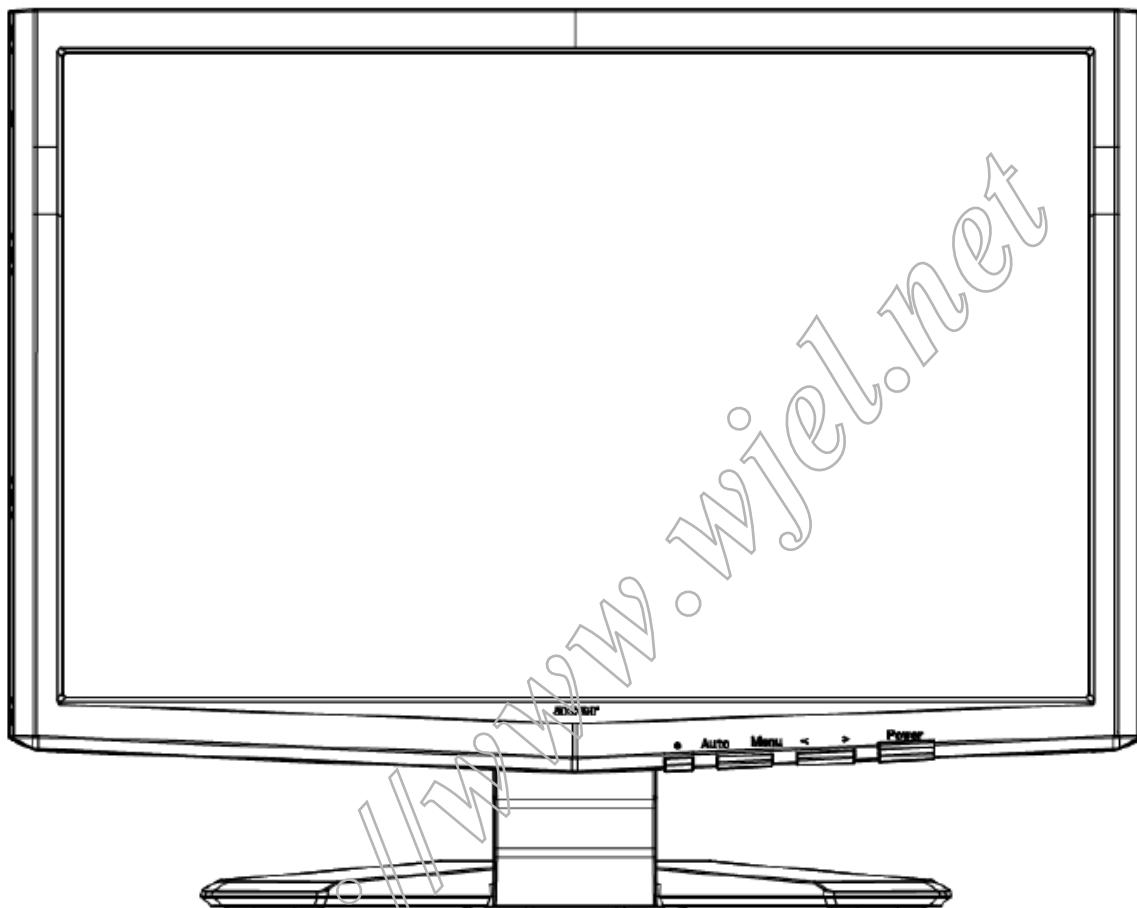


acer



Acer X233HZ&X243HQ

Service Guide

Service Guide Version and Revision

Version	Release Date	Revision History	Customer model	TPV model
A00	Dec.-18-2008	Initial Release	X233HZ&X243HQ	TDRMNDD8Y1ABPN

Copyright

Copyright © 2003 by Acer Incorporated. All rights reserved. No part of this publication may be reproduced, Transmitted, transcribed, stored in a retrieval system, or translated into any language or computer language, in any form or by any means, electronic, mechanical, magnetic, optical, chemical, manual or otherwise, without the prior written permission of Acer Incorporated.

Disclaimer

The information in this guide is subject to change without notice. Acer Incorporated makes no representations or warranties, either expressed or implied, with respect to the contents hereof and specifically disclaims any warranties of merchantability or fitness for any particular purpose. Any Acer Incorporated software described in this manual is sold or licensed "as is". Should the programs prove defective following their purchase, the buyer (and not Acer Incorporated, its distributor, or its dealer) assumes the entire cost of all necessary servicing, repair, and any incidental or consequential damages resulting from any defect in the software.

Intel is a registered trademark of Intel Corporation.

Pentium and Pentium II/III are trademarks of Intel Corporation.

Other brand and product names are trademarks and/or registered trademarks of their respective holders.

Trademarks

Acer is a registered trademark of Acer Incorporated.

All other trademarks are property of their respective owners.

Conventions

The following conventions are used in this manual:

Screen messages	Denotes actual messages that appear on screen.
Note	Gives bits and pieces of additional information related to the current topic.
Warning	Alerts you to any damage that might result from doing or not doing specific actions.
Caution	Gives precautionary measures to avoid possible hardware or software problems.
Important	Remind you to do specific actions relevant to the accomplishment of procedures.

Preface

Before using this information and the product it supports, please read the following general information.

1. This Service Guide provides you with all technical information relating to the BASIC CONFIGURATION decided for Acer's "global" product offering. To better fit local market requirements and enhance product competitiveness, your regional office may have decided to extend the functionality of a machine (e.g. add-on card, modem, or extra memory capability). These LOCALIZED FEATURES will NOT be covered in this generic service guide. In such cases, please contact your regional offices or the responsible personnel/channel to provide you with further technical details.
2. Please note WHEN ORDERING FRU PARTS, that you should check the most up-to-date information available on your regional web or channel. If, for whatever reason, a part number change is made, it will not be noted in the printed Service Guide. For ACER-AUTHORIZED SERVICE PROVIDERS, your Acer office may have a DIFFERENT part number code to those given in the FRU list of this printed Service Guide. You MUST use the list provided by your regional Acer office to order FRU parts for repair and service of customer machines.

Warning: (For FCC Certified Models)

Note: This equipment has been tested and found to comply with the limits for a Class B digital device, pursuant to Part 15 of the FCC Rules. These limits are designed to provide reasonable protection against harmful interference in a residential installation. This equipment generates, uses and can radiate radio frequency energy, and if not installed and used in accordance with the instructions, may cause harmful interference to radio communications. However, there is no guarantee that interference will not occur in a particular installation. If this equipment does cause harmful interference to radio or television reception, which can be determined by turning the equipment off and on, the user is encouraged to try to correct the interference by one or more of the following measures:

1. Reorient or relocate the receiving antenna.
2. Increase the separation between the equipment and receiver.
3. Connect the equipment into an outlet on a circuit different from that to which the receiver is connected.
4. Consult the dealer or an experienced radio/TV technician for help.

Notice:

1. The changes or modifications not expressly approved by the party responsible for compliance could void the user's authority to operate the equipment.
2. Shielded interface cables and AC power cord, if any, must be used in order to comply with the emission limits.
3. The manufacturer is not responsible for any radio or TV interference caused by unauthorized modification to this equipment. It is the responsibility of the user to correct such interference.

As ENERGY STAR® Partner our company has determined that this product meets the ENERGY STAR® guidelines for energy efficiency.

Warning:

To prevent fire or shock hazard, do not expose the monitor to rain or moisture. Dangerous high voltages are present inside the monitor. Do not open the cabinet. Refer servicing to qualified personnel only.

Precautions

- Do not use the monitor near water, e.g. near a bathtub, washbowl, kitchen sink, laundry tub, swimming pool or in a wet basement.
- Do not place the monitor on an unstable trolley, stand, or table. If the monitor falls, it can injure a person and cause serious damage to the appliance. Use only a trolley or stand recommended by the manufacturer or sold with the monitor. If you mount the monitor on a wall or shelf, use a mounting kit approved by the manufacturer and follow the kit instructions.
- Slots and openings in the back and bottom of the cabinet are provided for ventilation. To ensure reliable operation of the monitor and to protect it from overheating, be sure these openings are not blocked or covered. Do not place the monitor on a bed, sofa, rug, or similar surface. Do not place the monitor near or over a radiator or heat register. Do not place the monitor in a bookcase or cabinet unless proper ventilation is provided.
- The monitor should be operated only from the type of power source indicated on the label. If you are not sure of the type of power supplied to your home, consult your dealer or local power company.
- The monitor is equipped with a three-pronged grounded plug, a plug with a third (grounding) pin. This plug will fit only into a grounded power outlet as a safety feature. If your outlet does not accommodate the three-wire plug, have an electrician install the correct outlet, or use an adapter to ground the appliance safely. Do not defeat the safety purpose of the grounded plug.
- Unplug the unit during a lightning storm or when it will not be used for long periods of time. This will protect the monitor from damage due to power surges.
- Do not overload power strips and extension cords. Overloading can result in fire or electric shock.
- Never push any object into the slot on the monitor cabinet. It could short circuit parts causing a fire or electric shock. Never spill liquids on the monitor.
- Do not attempt to service the monitor yourself; opening or removing covers can expose you to dangerous voltages and other hazards. Please refer all servicing to qualified service personnel
- To ensure satisfactory operation, use the monitor only with UL listed computers which have appropriate configured receptacles marked between 100 - 240V AC, Min. 5A.
- The wall socket shall be installed near the equipment and shall be easily accessible.

Special Notes on LCD Monitors

The following symptoms are normal with LCD monitor and do not indicate a problem.

Notes

- Due to the nature of the fluorescent light, the screen may flicker during initial use. Turn off the Power Switch and then turn it on again to make sure the flicker disappears.
- You may find slightly uneven brightness on the screen depending on the desktop pattern you use.
- The LCD screen has effective pixels of 99.99% or more. It may include blemishes of 0.01% or less such as a missing pixel or a pixel lit all of the time.
- Due to the nature of the LCD screen, an afterimage of the previous screen may remain after switching the image, when the same image is displayed for hours. In this case, the screen is recovered slowly by changing the image or turning off the Power Switch for hours.

Table Of Contents

Chapter 1	Monitor Features	7
	Introduction	7
	Electrical Requirements	8
	LCD Monitor General Specification	9
	LCD Panel Specification	10
	Factory Preset Timing	13
	Monitor Block Diagram	14
	Main Board Diagram	15
	Software Flow chart	16
	Main Board Layout	18
	Installation	19
Chapter 2	Operating Instructions	21
	External Controls	21
	Front Panel Controls	21
	eColor Management (OSD)	22
	How to Adjust a Setting	23
	How To Optimize The DOS-Mode	27
	Enter into the factory mode	27
Chapter 3	Machine Disassembly	28
Chapter 4	Troubleshooting	31
Chapter 5	Connector Information	37
Chapter 6	FRU (Field Replacement Unit) List	38
	Exploded Diagram	38
Chapter 7	Schematic Diagram	43

Introduction

Scope

This short specification describes the electrical, optical and functional performance requirements for a 63.2cm (23.6") TFT LCD color monitor with VGA&DVI compatible interface.

Description

The LCD monitor is designed with the latest LCD technology to provide a performance oriented product with no radiation. This will alleviate the growing health concerns. It is also a space saving design, allowing more desktop space, and comparing to the traditional CRT monitor, it consumes less power and gets less weight in addition MTBF target is 50k hours or more.

Chart of X233HZ&X243HQ

Panel	M236H1-L01 NB CMO
Signal Interface	D-Sub 15pin;DVI 24pin
Sync Type	Separate / Compatible
Color Temp User Adjust	Support
DDC	DDC2B
Speaker	Yes
Headphone Jack	No
Microphone Jack	No
USB Hub	support
Tilt / Swivel	Yes /No

Electrical Requirements of X233HZ&X243HQ

Standard Test Conditions

All tests shall be performed under the following conditions, unless otherwise specified.

Warm up time	> 30 min.
AC supply voltage	230V \pm 5%, 50 \pm 3 Hz
Ambient temperature	20°C \pm 5°C
Humidity	65% \pm 20%
Display mode	1920 x 1080, 60 Hz, Pixel Clock: 148.5MHZ,all white
e-color mode	Set to "User" mode
Contrast control	Set to The value under user mode, which allows that the brightest two of 32 linear distributed gray-scales (0 - 700mv) can be distinguished.
Color temperature	6500K
Brightness control	The value under user mode
Analog Input signal	700 mVss
Picture position and size	Factory preset value,
Viewing angle	90 °H and V
Viewing distance	40 cm for LCD performance, 20 cm for LCD failures
Ambient illumination	Dark room < 1 cd/m ²

Measurement systems

The units of measure stated in this document are listed below:

1 gamma = 1 nano tesla

1 tesla = 10,000 gauss

cm = in x 2.54

Lb = kg x 2.2

Degrees F = [°C x 1.8] + 32

Degrees C = [°F - 32]/1.8

$u' = 4x/(-2x + 12y + 3)$

$v' = 9y/(-2x + 12y + 3)$

$x = (27u'/4)/[(9u'/2) - 12v' + 9]$

$y = (3v')/[(9u'/2) - 12v' + 9]$

nits = cd/(m²) = Ft-L x 3.426

lux = foot-candle x 10.76

LCD Monitor General Specification

Model name	X233HZ&X243HQ	
LCD Panel	Driving system	TFT Color LCD
	Active Display Area	525.22 (H) x 297.22(V)
	Pixel pitch	0.2715(H) x 0.2715(V)
	Contrast Ratio	1000 : 1 (typ)
	Response time	5ms(Typ.). 8ms(max)
	Luminance of White	300 cd/m ² (Typ.)
Input	Separate Sync.	H/V TTL
	H-Frequency	30kHz – 83kHz
	V-Frequency	56-75Hz
Viewing angle	(H)90 (V) 90(Type)	
Display Colors	16.7M	
Display mode	1920 x 1080 @60Hz	
EPA ENERGY STAR®	ON Mode	< 65W
	OFF Mode	< 1W
Contrast control	Set to The value under user mode, which allows that the brightest two of 32 linear distributed gray-scales (0~ 700mv) can be distinguished.	
Power Source	100 V ~ 240 V, 50 ± 3Hz, 60 ± 3Hz	
Environmental Considerations	Operating Temp: 0° to 40°C Storage Temp: -20° to 60°C Operating Humidity: 15% to 90% Storage Humidity: 15% to 90% Operating Altitude: 12,000 feet (3,658m) Storage Altitude: 40,000 feet (12,192m)	
Peak surge current	< 55A peak at 240 VAC and cold starting	
Power line surge	No advance effects (no loss of information or defect)	

LCD Panel Specification of X233HZ&X243HQ

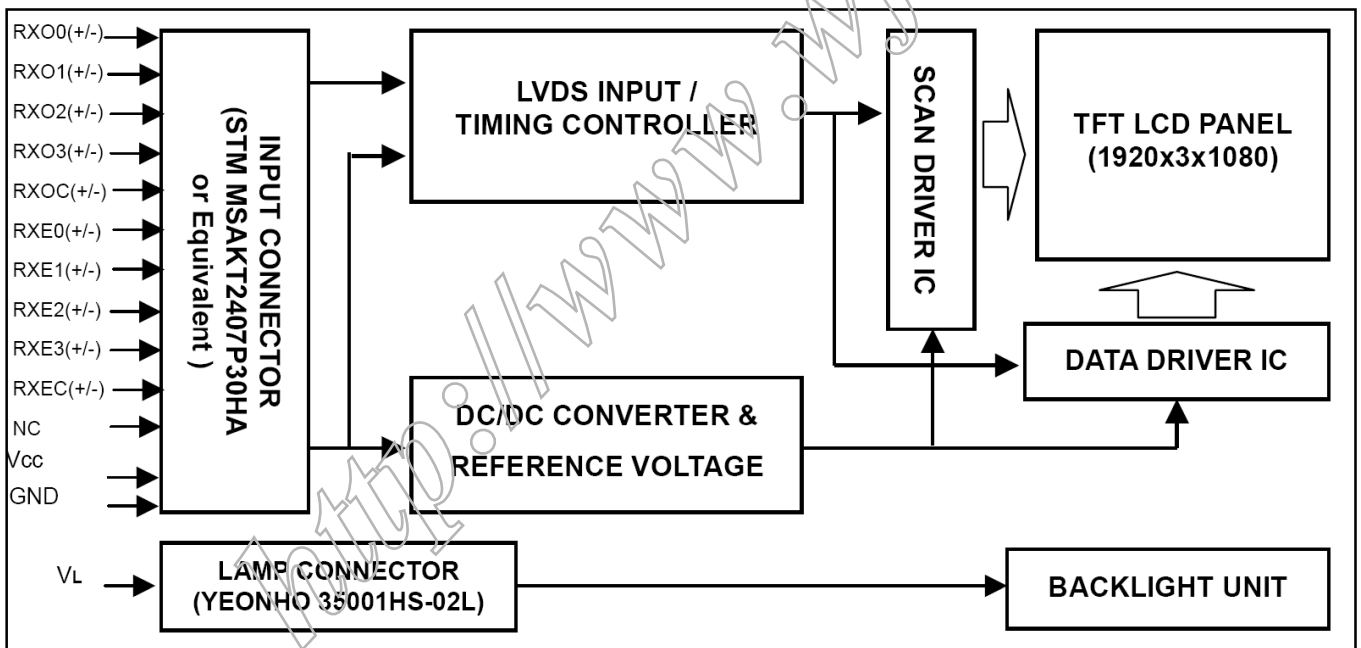
M236H1-L01 is a 23.6" TFT Liquid Crystal Display module with 4 CCFL Backlight unit and 30 pins 2ch-LVDS interface. This module supports 1920 x 1080 Full HD mode and can display up to 16.7M colors. The inverter module for Backlight is not built in.

General Specifications

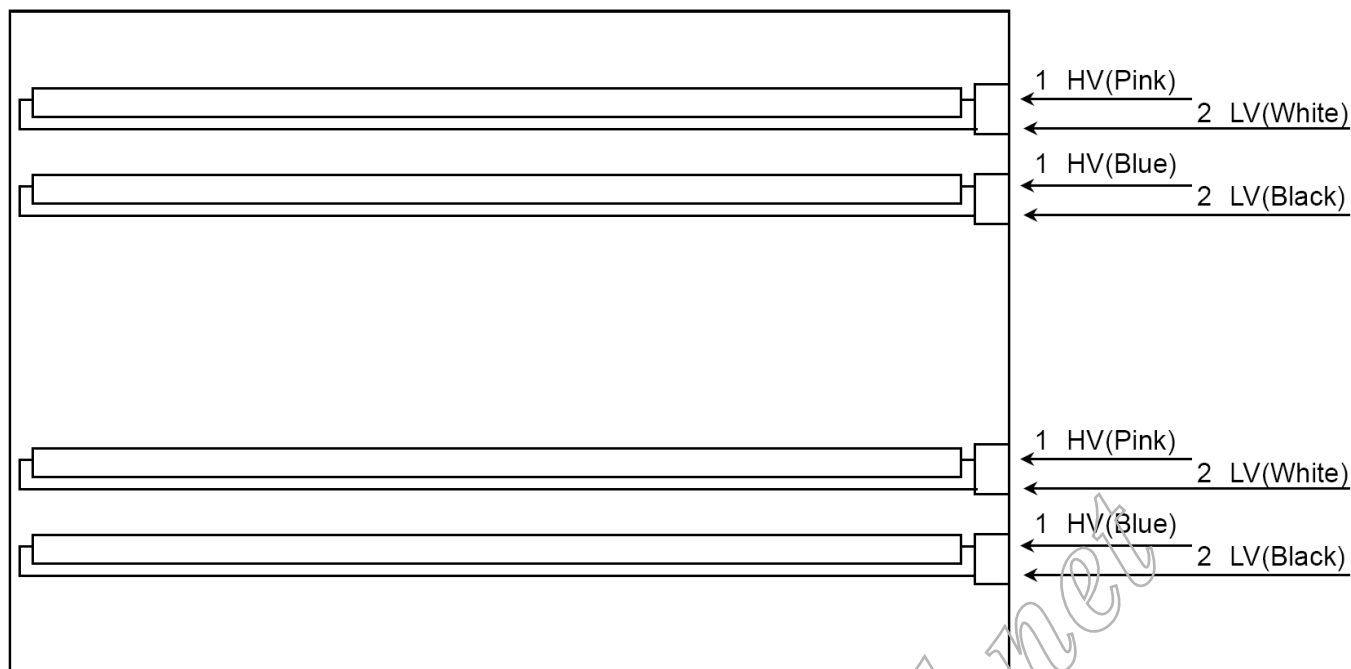
Item	Specification	Unit
Active Area	521.28(H) x 293.22(V) (23.6" diagonal)	mm
Bezel Opening Area	525.22 (H) x 297.22 (V)	mm
Driver Element	a-Si TFT active matrix	-
Pixel Number	1920 x R.G.B. x 1080	pixel
Pixel Pitch	0.2715 (H) x 0.2715 (V)	mm
Pixel Arrangement	RGB vertical stripe	-
Display Colors	16.7M	color
Transmissive Mode	Normally White	-
Surface Treatment	AG type, 3H hard coating, Haze 25	-
Module Power Consumption	30.82	Watt

Block Diagram

TFT LCD Module



Back light Unit



Electrical Characteristics

Parameter	Symbol	Value			Unit
		Min.	Typ.	Max.	
Power Supply Voltage	V _{CC}	4.5	5.0	5.5	V
Ripple Voltage	V _{RRP}	-	-	100	mV
Rush Current	I _{RUSH}			2.5	A
Power Supply Current	White		0.6	0.72	A
	Black		0.9	1.08	A
	Vertical Stripe		0.85	1.02	A
Power Consumption	PLCD		4.5	5.4	Watt
LVDS differential input voltage	V _{id}	100	-	600	mV
LVDS common input voltage	V _{ic}	-	1.2	-	V

Optical Specifications

Item		Symbol	Condition	Min.	Typ.	Max.	Unit	
Color Chromaticity (CIE 1931)	Red	R _x	$\theta_x=0^\circ, \theta_y=0^\circ$ CS-1000T	Typ - 0.03	0.647	Typ + 0.03	-	
		R _y			0.334			
	Green	G _x			0.284			
		G _y			0.607			
	Blue	B _x			0.151			
		B _y			0.071			
	White	W _x			0.313			
		W _y			0.329			
Center Luminance of White (Center of Screen)		L _c		250	300	-	cd/m ²	
Contrast Ratio		CR		700	1000	-	-	
Response Time			$\theta_x=0^\circ, \theta_y=0^\circ$	-	1.5	2.5	ms	
					T _F	3.5		5.5
White Variation		δW	$\theta_x=0^\circ, \theta_y=0^\circ$	-	-	1.33	-	
Viewing Angle	Horizontal	θ_{x+}	CR • • 10		75	85	-	Deg.
		θ_{x-}			75	85	-	
	Vertical	θ_{y+}			70	80	-	
		θ_{y-}			70	80	-	

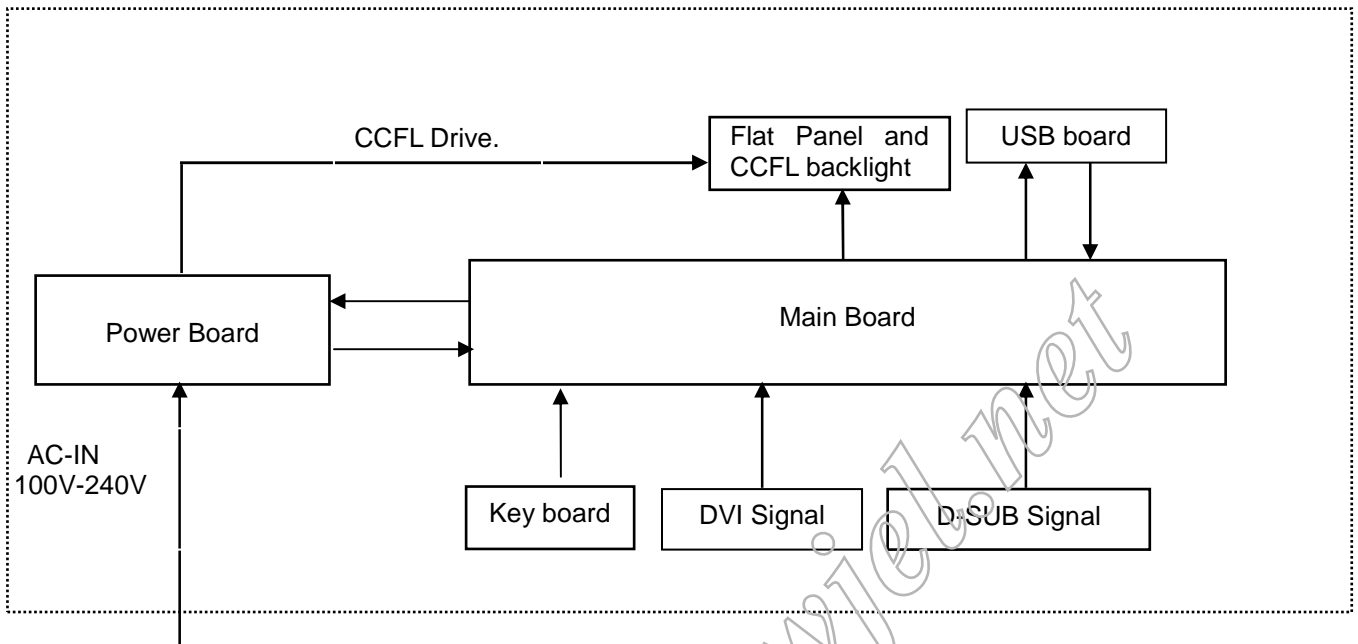
Factory Preset Timing of X233HZ&X243HQ

VESA MODES							
			Horizontal		Vertical		
Mode	Resolution	Total	Nominal Frequency +/- 0.5kHz	Sync Polarity	Nominal Freq. +/- 1 Hz	Sync Polarity	Nominal Pixel Clock (MHz)
VGA	640x480@60Hz	800 x 525	31.469	N	59.940	N	25.175
	640x480@72Hz	832 x 520	37.861	N	72.809	N	31.500
SVGA	800x600@56Hz	1024 x 625	35.156	N/P	56.250	N/P	36.000
	800x600@60Hz	1056 x 628	37.879	P	60.317	P	40.000
	800x600@72Hz	1040 x 666	48.077	P	72.188	P	50.000
XGA	1024x768@60Hz	1344x806	48.363	N	60.004	N	65.000
	1024x768@70Hz	1328x806	56.476	N	70.069	N	75.000
VESA	1152x864@70Hz	1600 x 900	67.500	P	75.000	P	108.000
	1280x960@60Hz	1800 x 1000	60.000	P	60.000	P	108.000
	1280x720@60Hz	1650 x 750	44.955	P	59.940	P	74.176
SXGA	1280x1024@60Hz	1688 x 1066	63.981	P	60.020	P	108.000
WXGA	1280x800@60Hz	1680 x 831	49.702	P	59.810	N	83.500
	1360x768@60Hz	1792 x 795	47.712	P	60.015	P	85.500
WXGA+	1440x900@60Hz	1904 x 931	55.935	N	59.887	P	106.5
WSXGA+	1680x1050@60Hz	2240 x 1089	65.290	N	59.954	P	146.250
UXGA	1600x1200@60Hz	2160 x 1250	75.000	P	60.000	P	162.000
	1920x1080@60Hz	2576 x 1120	67.158	N	59.963	P	173.000
	1920x1080@60Hz	2200 x 1125	67.500	N	60.000	N	148.500
	1920x1080@60Hz	2080 x 1111	66.587	P	69.934	N	138.500
IBM MODES							
DOS	720x400@70Hz	900 x 449	31.469	N	70.087	P	28.322
MAC MODES							
VGA	640x480@67Hz	864x525	35.000	N	66.667	N	30.240
ACER SPECIAL MODE							
	648x500@57.67 Hz	808 x 541	31.199	N	57.67	P	25.209
	1024x600@60Hz	1312 x 622	37.320	N	60.000	N	48.964

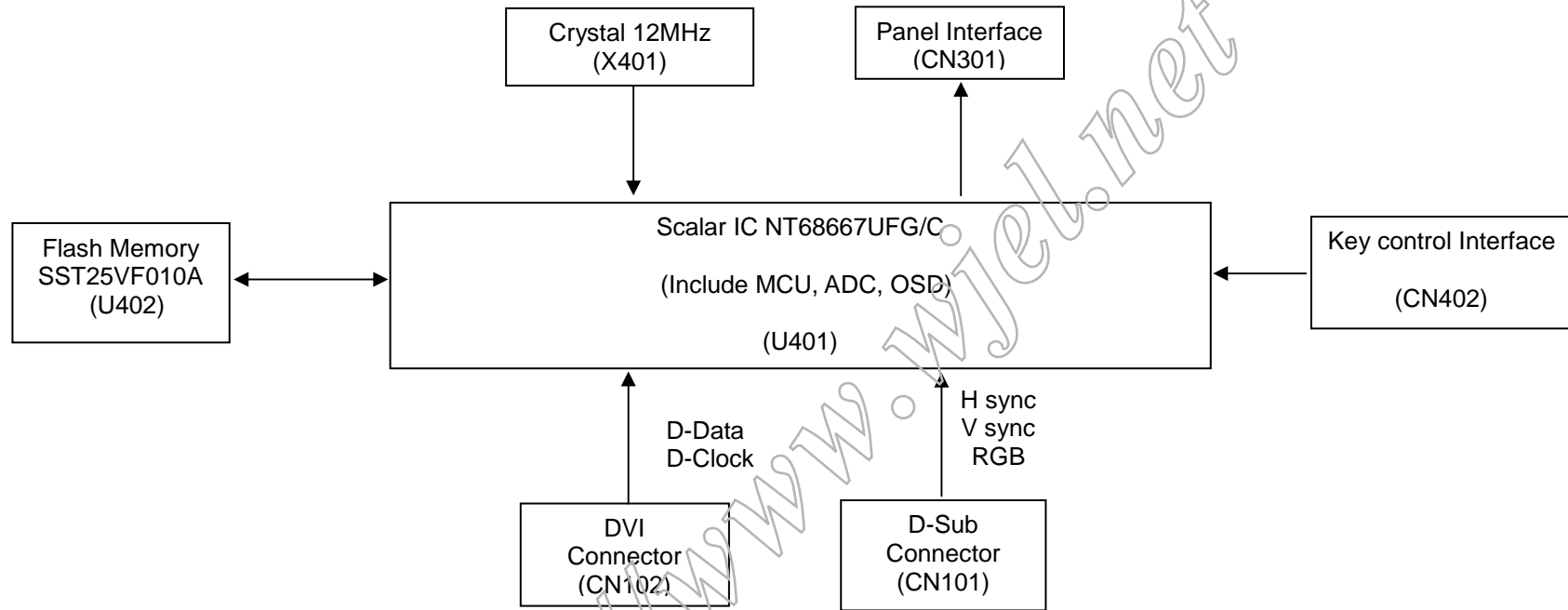
Monitor Block Diagram

The LCD MONITOR will contain a main board, a power board, a usb board and a key board which house the flat panel control logic, brightness control logic and DDC.

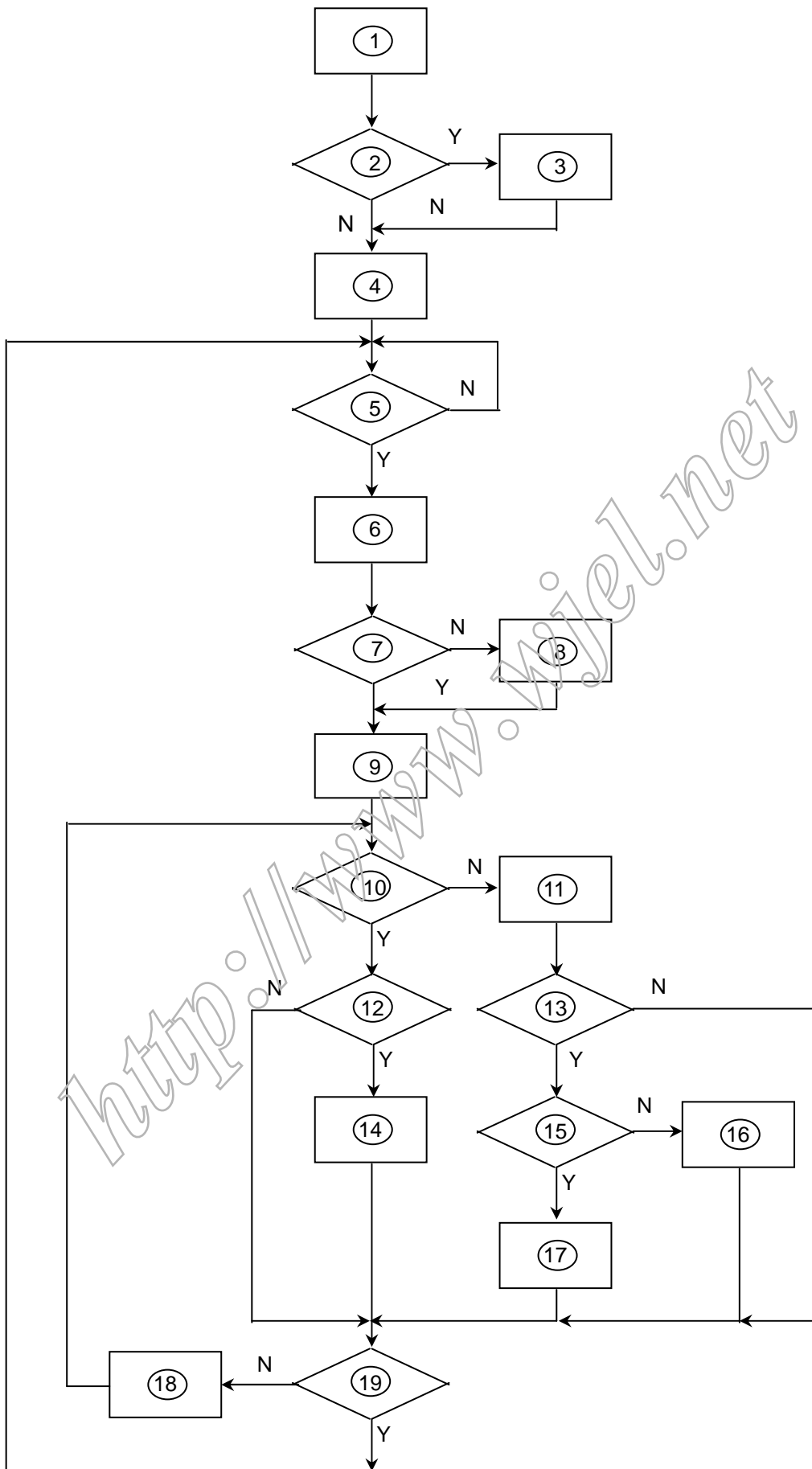
The power board will provide AC to DC Inverter voltage to drive the backlight of panel and the main board chips each voltage.



Main Board Diagram



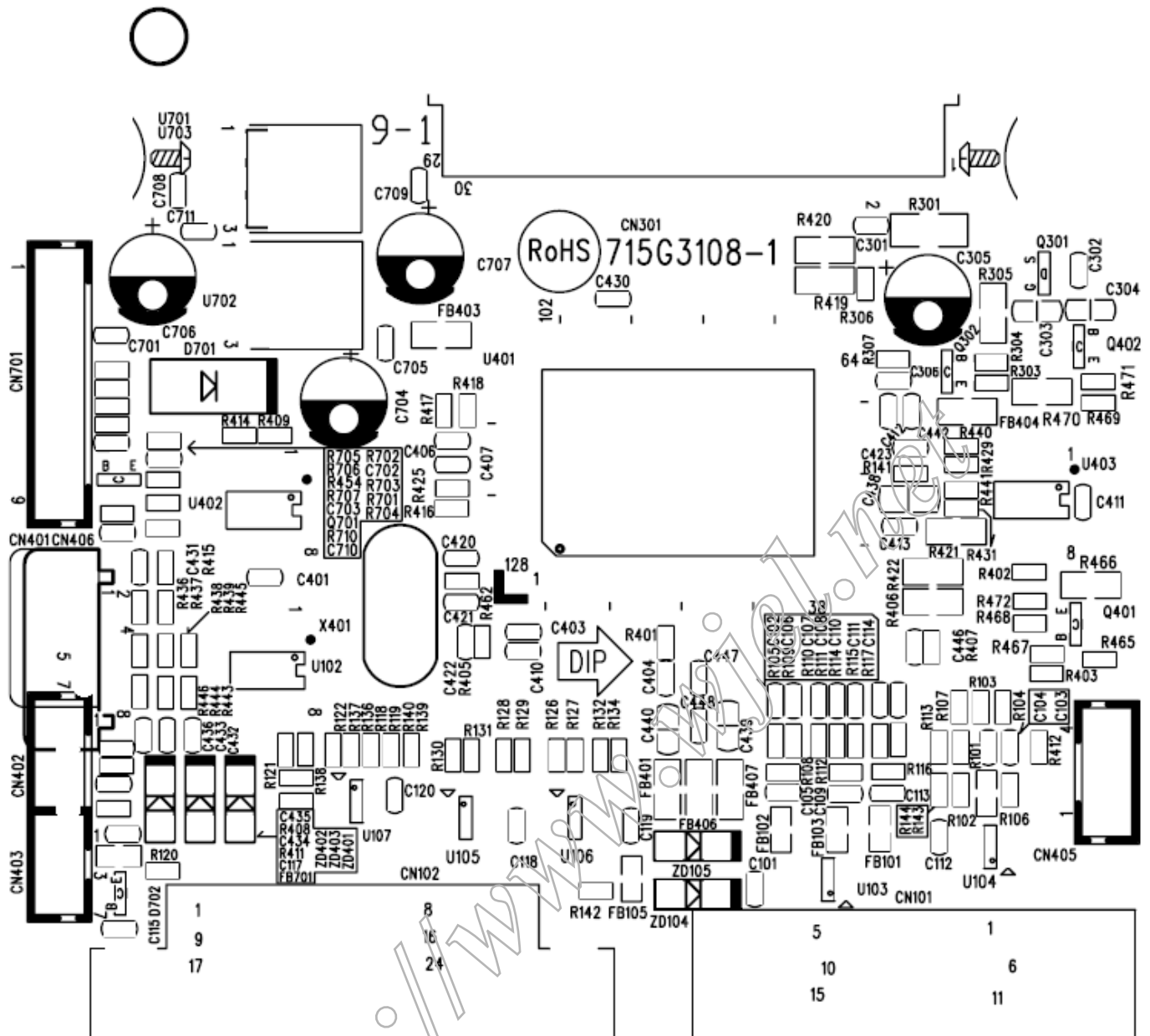
Software Flow Chart



Remark:

1) MCU initializes.
2) Is the EEPROM blank?
3) Program the EEPROM by default values.
4) Get the PWM value of brightness from EEPROM.
5) Is the power key pressed?
6) Clear all global flags.
7) Are the AUTO and SELECT keys pressed?
8) Enter factory mode.
9) Save the power key status into EEPROM. Turn on the LED and set it to green color. Scalar initializes.
10) In standby mode?
11) Update the lifetime of back light.
12) Check the analog port, are there any signals coming?
13) Does the scalar send out an interrupt request?
14) Wake up the scalar.
15) Are there any signals coming from analog port?
16) Display "No connection Check Signal Cable" message. And go into standby mode after the message disappears.
17) Program the scalar to be able to show the coming mode.
18) Process the OSD display.
19) Read the keyboard. Is the power key pressed?

Main Board Layout



Symbol	Description	Symbol	Description
U401	IC NT68667UFG/C QFP-128L	CN402	WAFER
U703	IC LD1117DT33TR DPAK	CN701	WAFER 9P RIGHT ANELE PITCH
U103	IC AZC099-04S SOT23-6L	CN301	CONNECTOR
U104	IC AZC099-04S SOT23-6L	X401	CRYSTAL 12MHz HC-49US ARG6-120
U402	SST25VF010A-33-4C-SAE	CN101	D-SUB 15PIN VERTICAL CONN WITH SCREW
U702	IC AZ1117D-1.8-E1	CN102	DVI 24PIN CONN F

Installation

To install the monitor to your host system, please follow the steps as given below:

Steps 1.

1-1 Connect Video Cable

- a. Make sure both the monitor and computer are powered-OFF.
- b. Connect the VGA video cable to the computer.

1-2 Digital Cable (Only Dual-Input Model)

- a. Make sure both the monitor and computer are powered-OFF.
- b. Connect one end of the 24-pin DVI cable to the back of the monitor and connect the other end to the computer's port.

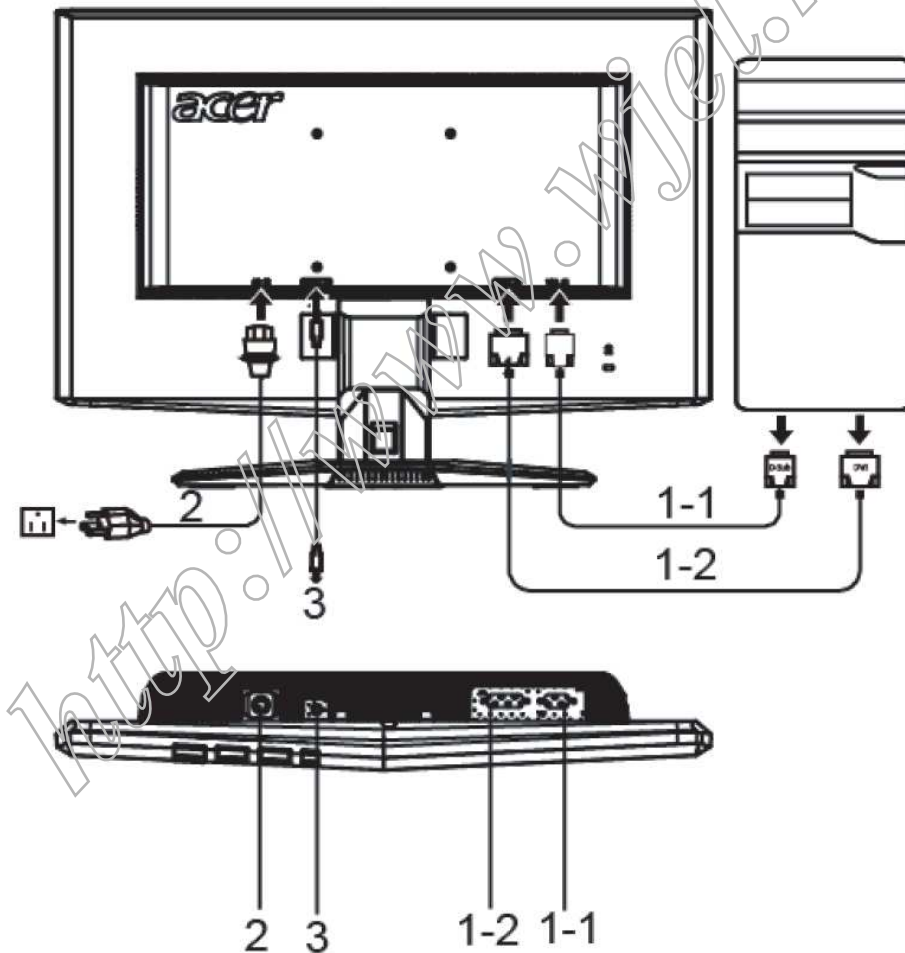
Steps 2. Connect power cord

Connect the power cord to the monitor, then to a properly grounded AC outlet.

Steps 3. Power-ON Monitor and Computer

Power-ON the monitor first, then power-ON the computer. This sequence is very important.

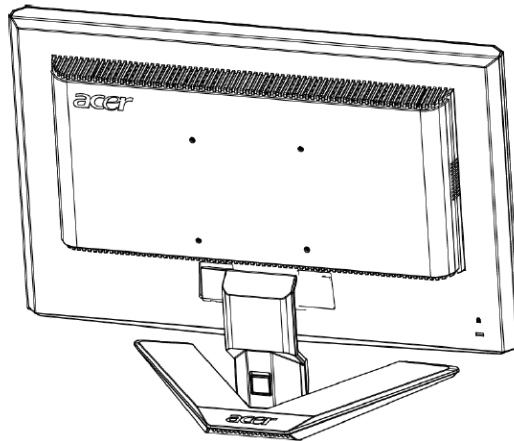
Steps 4. If the monitor still does not function properly, please refer to the troubleshooting section to diagnose the problem.



Attaching / Removing the Base

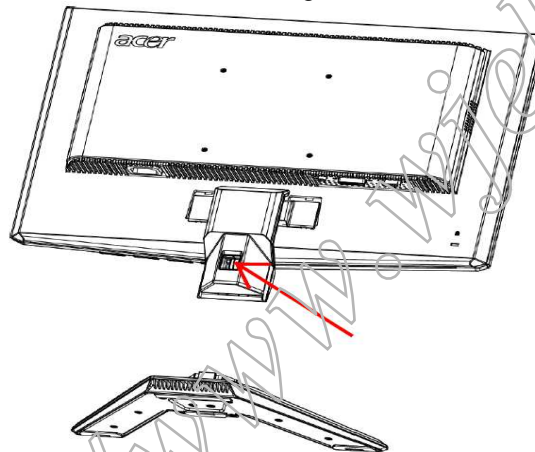
Install:

Align the release button on the bottom of the monitor with the corresponding slots on the bottom of the base.



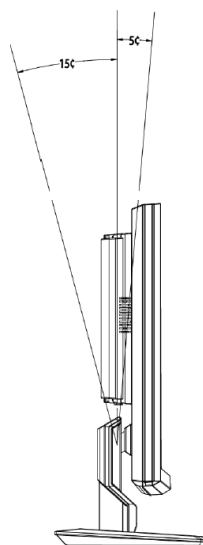
Remove:

Depress the release button as indicated first before removing the base and follow the arrow direction to remove it.



SCREEN POSITION ADJUSTMENT

In order to optimize the best viewing position, you can adjust the tilt of the monitor by using both of your hands to hold the edges of the monitor as shown in the figure below. The monitor can be adjusted to 15 degrees up or 5 degrees down as indicated by arrow below.

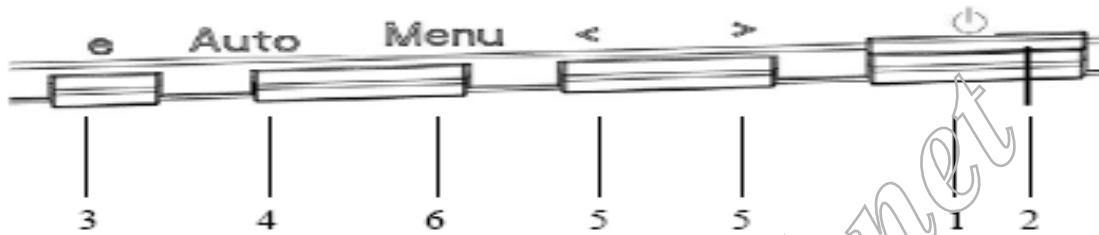


EN-6

Press the power button to turn the monitor on or off. The other control buttons are located at front panel of the monitor. By changing these settings, the picture can be adjusted to your personal preferences.

- The power cord should be connected.
- Connect the video cable from the monitor to the video card.
- Press the power button to turn on the monitor position. The power indicator will light up.

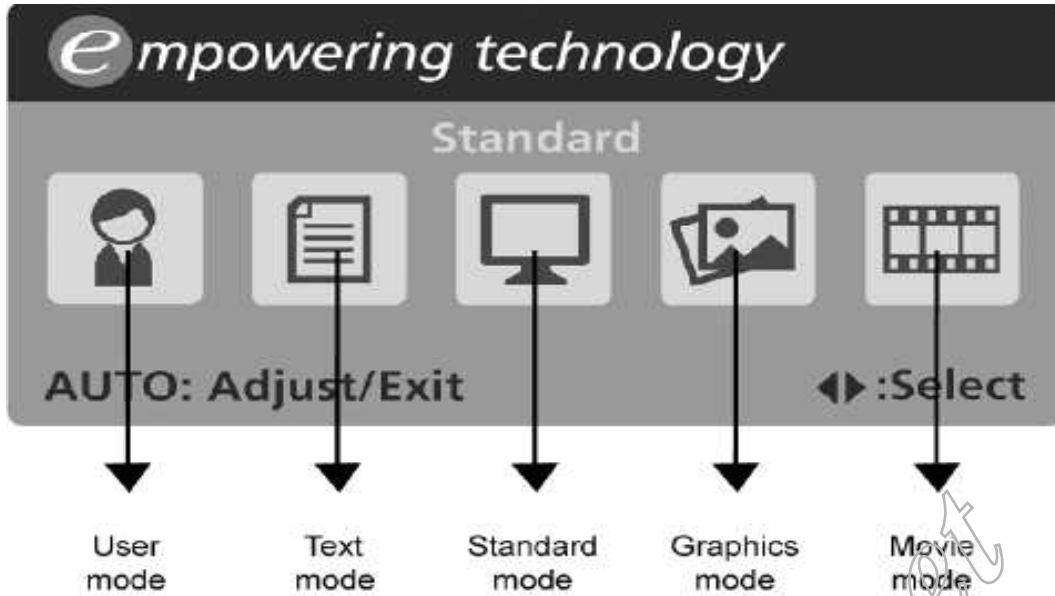
External Controls



Front panel controls

1.Power Switch	To turn ON or OFF the power.
2.Power LED	Lights up to indicate the power is turned ON.
3.Empowering / Exit	1) When OSD menu is in active status, this button will act as EXIT-KEY (EXIT OSD menu). 2) When OSD menu is in off status, press this button to select scenario mode.
4.Auto Adjust button / Exit	1) When OSD menu is in active status, this button will act as EXIT-KEY (EXIT OSD menu). 2)When OSD menu is in off status, press this button for 2 seconds to activate the Auto Adjustment function .The Auto Adjustment function is used to set the Hpos, Vpos, Clock and Focus. 3) When exit eColor OSD, it will activate the Auto Adjustment function
5.< / >	Press < or > to select the desired function. Press < or > to change the settings of the current function.
6.MENU / ENTER	Activate OSD menu when OSD is OFF or activate/de-activate adjustment function when OSD is ON.

eColor Management (OSD)



Operation instructions

Acer eColor Management

Step 1: Press “**e** Key” to open the Acer e-Color Management OSD and access the scenario modes

Step 2: Press “<” or “>” to select the mode

Step 3: Press “Auto Key” to confirm the mode and run Auto Adjust

Automatic Adjustment

Step 1: Press “ Auto Key ” to initial scenario mode

Step 2: Press “ Auto Key ” again to perform an Auto Adjust

Features and Benefits

Mode	Features	Benefits
Standard	Default settings	Reflects native display capability
Text	Optimal balance of brightness and contrast prevents eyestrain	The most comfortable way to read onscreen text
Graphics	Enhances colors and emphasizes fine detail	Pictures and photographs appear in vibrant colors with sharp detail
Movie	Displays scenes in clearest detail	Presents great visuals, even in unsuitably-lit environments
User	User defined	Settings can be fine-tuned to suit any situation

How to Adjust a Setting

1. Press the MENU-button to activate the OSD window.
2. Press < or > to select the desired function.
3. Press the MENU-button to select the function that you want to adjust.
4. Press < or > to change the settings of the current function.
5. To exit and save, select the exit function. If you want to adjust any other function, repeat steps 2-4.

P/X Series OSD behave

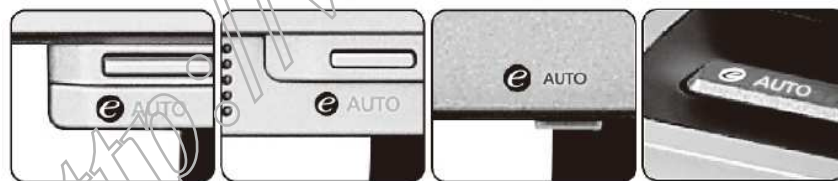
When user press "MENU" button on front bezel



Acer eColor Management

If selected to "Acer eColor Management" item, will appear the Acer eColor" OSD.

OSD and "e" Key" locations



Value Line

Value Line
w/speaker

Office Line

Performance
Line and
Gamer Line

	Power Source
Menu	OSD Menu
>	Right
<	Left
	Empowering Key and Automatic Adjustment

USER

If selected to "USER" item, will appear the Standard OSD










I. Only Analog Input Model



















II. Only Dual Input Model

Adjusting the picture

The descriptions for function control LEDs

Main Menu icon	Sub Menu icon	Sub Menu item	Description
		Contrast	Adjusts the contrast between the foreground and background of the screen image.
		Brightness	Adjusts the background brightness of the screen image.
		ACM	ACM (Adaptive Contrast Management): ACM ON/OFF Switch, default is "OFF"
		Focus	Adjusts picture Focus.(available in Analog mode only)
		Clock	Adjusts picture Clock.(available in Analog mode only)

Main Menu Icon	Sub Menu Icon	Sub Menu Item	Description
		H. Position	Adjust the horizontal position. (available in Analog mode only)
		V. Position	Adjust the vertical position. (available in Analog mode only)
	N/A	Warm	Set the color temperature to warm white.
	N/A	Cool	Set the color temperature to cool white.
		User /Red	Adjusts Red/Green/Blue intensity.
		User /Green	
	User /Blue		
	N/A	English	Multi-language selection.
	N/A	繁體中文	
	N/A	Deutsch	
	N/A	Francais	
	N/A	Espanol	
	N/A	Italiano	
	N/A	简体中文	
	N/A	日本語	
	N/A	Suomi	EMEA version OSD only
	N/A	Nederlands	
	N/A	Рускнн	

Main Menu Icon	Sub Menu Icon	Sub Menu Item	Description
		H. Position	Adjust the horizontal position of the OSD.
		V. Position	Adjust the vertical position of the OSD.
		OSD Timeout	Adjust the OSD timeout.
	N/A	Input Source	Select input signal from D-Sub or DVI-D or HDMI
	N/A	Wide Mode	Select Wide mode setting for Full screen, Aspect ratio or 1:1 mode
	N/A	DDC/CI	Trun ON/OFF DDC/CI Support
	N/A	Information	Show the resolution, H/V frequency and input port of current input timing.
	N/A	Reset	Clear each old status of Auto-configuration and set the color temperature to Cool.
	N/A	Exit	Save user adjustment and OSD disappear.

How To Optimize The DOS-Mode

Plug And Play

Plug & Play DDC2B Feature

This monitor is equipped with VESA DDC2B capabilities according to the VESA DDC STANDARD. It allows the monitor to inform the host system of its identity and, depending on the level of DDC used, communicate additional information about its display capabilities.

The DDC2B is a bi-directional data channel based on the I²C protocol. The host can request EDID information over the DDC2B channel.

This monitor will appear to be non-functional if there is no video input signal. In order for this monitor to operate properly, there must be a video input signal.

This monitor meets the Green monitor standards as set by the Video Electronics Standards Association (VESA) and/or the United States Environmental Protection Agency (EPA) and The Swedish Confederation Employees (NUTEK). This feature is designed to conserve electrical energy by reducing power consumption when there is no video-input signal present. When there is no video input signals this monitor, following a time-out period, will automatically switch to an OFF mode. This reduces the monitor's internal power supply consumption. After the video input signal is restored, full power is restored and the display is automatically redrawn. The appearance is similar to a "Screen Saver" feature except the display is completely off. Pressing a key on the keyboard, or clicking the mouse restores the display.

Using the Right Power Cord

The accessory power cord for the Northern American region is the wallet plug with NEMA 5-15 style and is UL listed and CSA labeled. The voltage rating for the power cord shall be 125 volts AC.

Supplied with units intended for connection to power outlet of personal computer: Please use a cord set consisting of a minimum No. 18 AWG, type SJT or SVT three conductors flexible cord. One end terminates with a grounding type attachment plug, rated 10A, 250V, and CEE-22 male configuration. The other end terminates with a molded-on type connector body, rated 10A, 250V, having standard CEE-22 female configuration.

Please note that power supply cord needs to use VDE 0602, 0625, 0821 approval power cord in European countries.

Enter into the factory mode:

Turn off the power, press the "e-color" and turn the power on. The factory OSD will be at the left top of the panel.

This chapter contains step-by-step procedures on how to disassemble the X233HZ&X243 HQ monitor for maintenance.

The tool for disassembly is as follows:

Screwdriver, Hexagonal screwdriver, Putty knife.

Disassembly Procedure

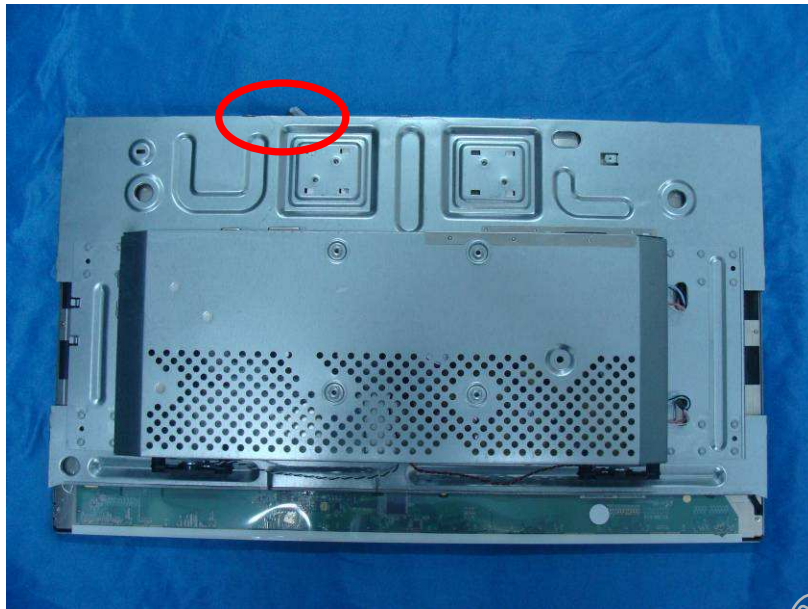
1. Remove the hinge assembly.



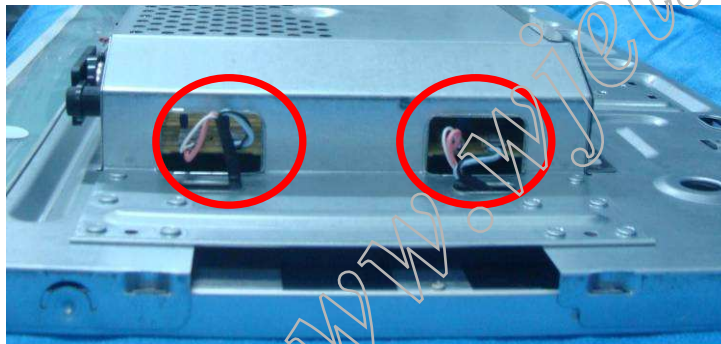
2. Remove the rear cover and bezel.

The arrows in blue are the hook that we should put attention to when remove the rear cover. Use plastic putty knife to release hooks, then you can easily remove the rear cover.

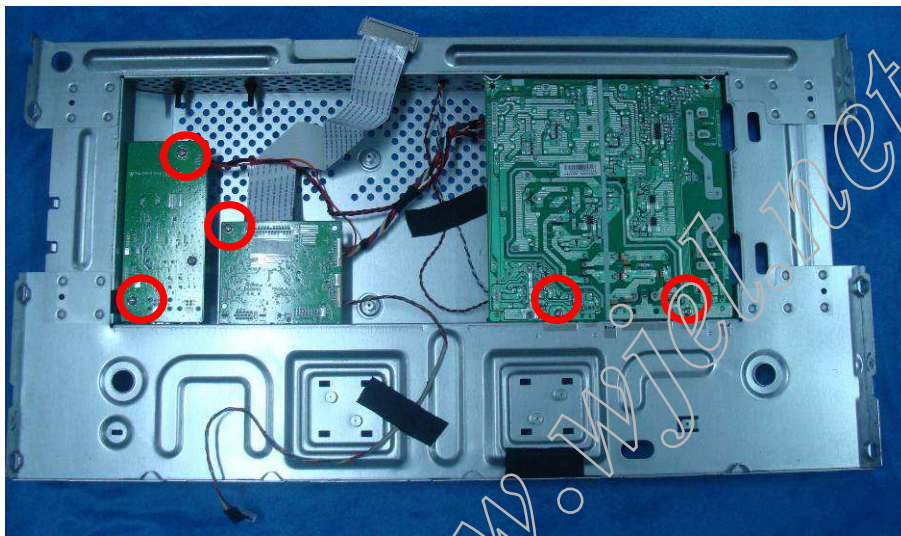
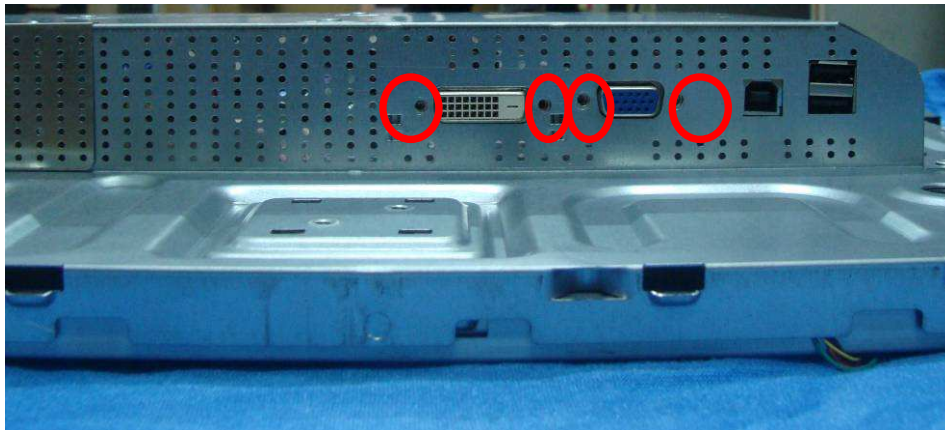




3. Remove the lamp connectors and remove the screws to remove the panel. Put attention to the LVDS cable.



4. Remove the screws to remove the main board and power board.

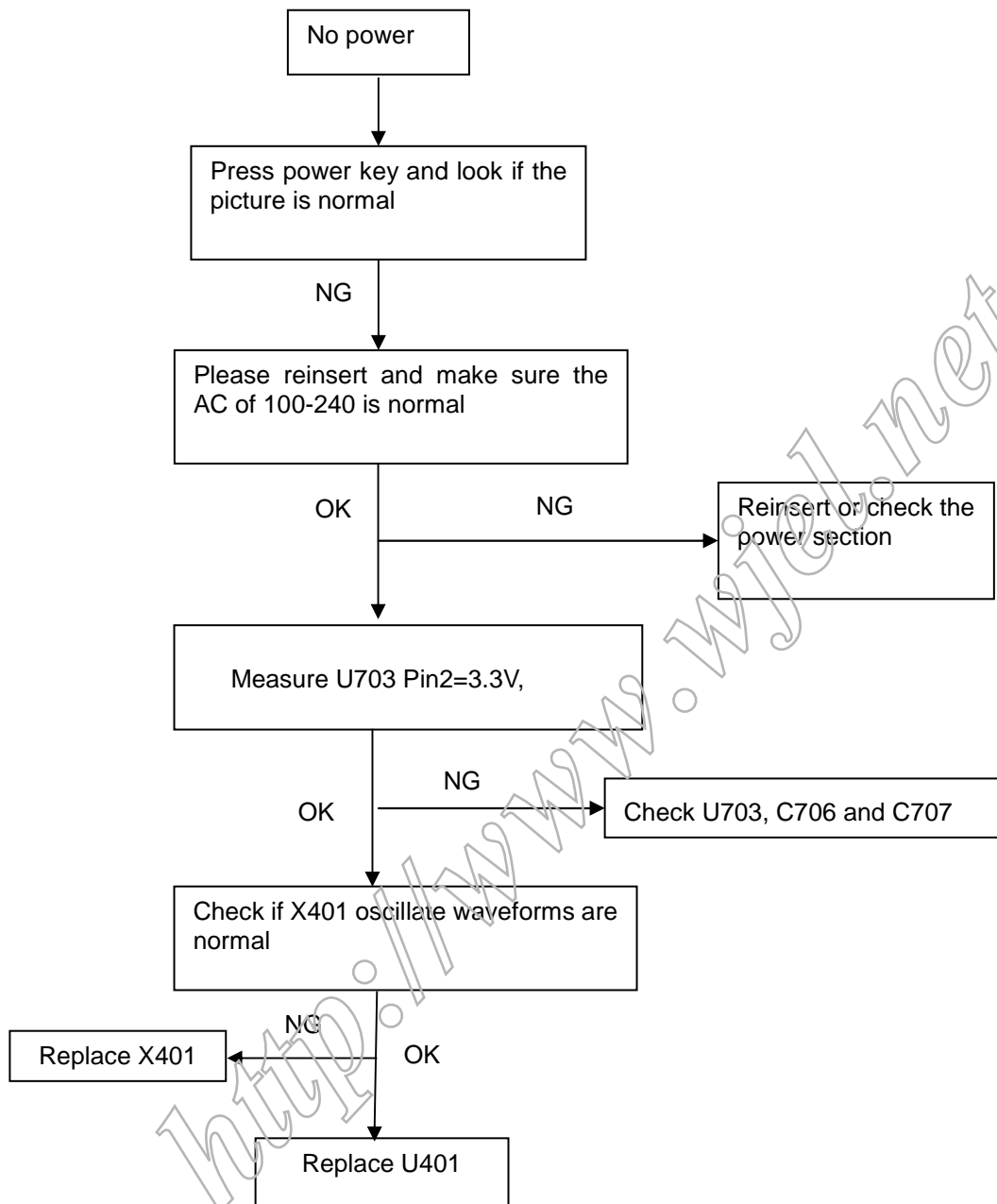


5. The panel

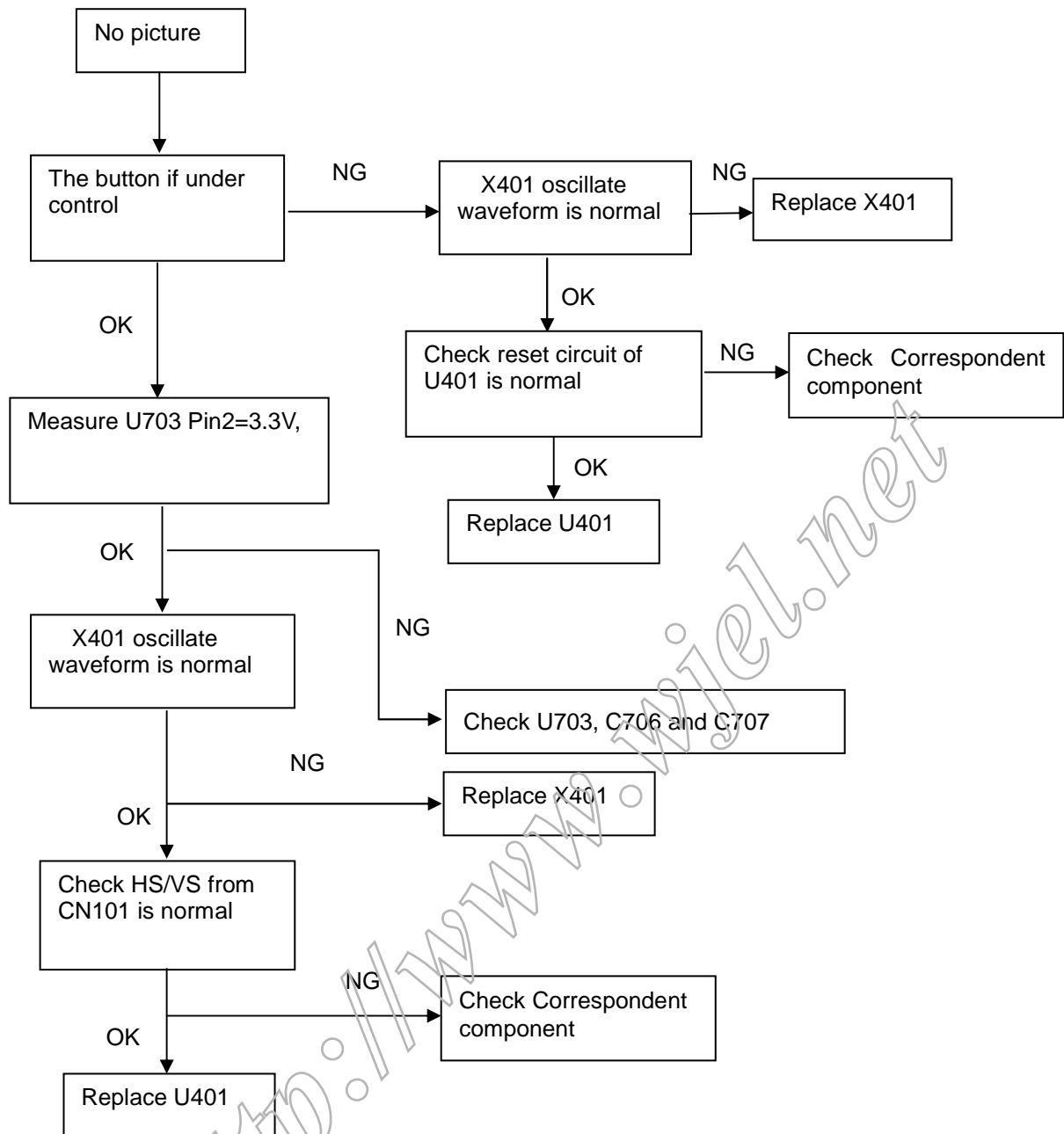


This chapter provides troubleshooting information for the X233HZ&X243HQ:

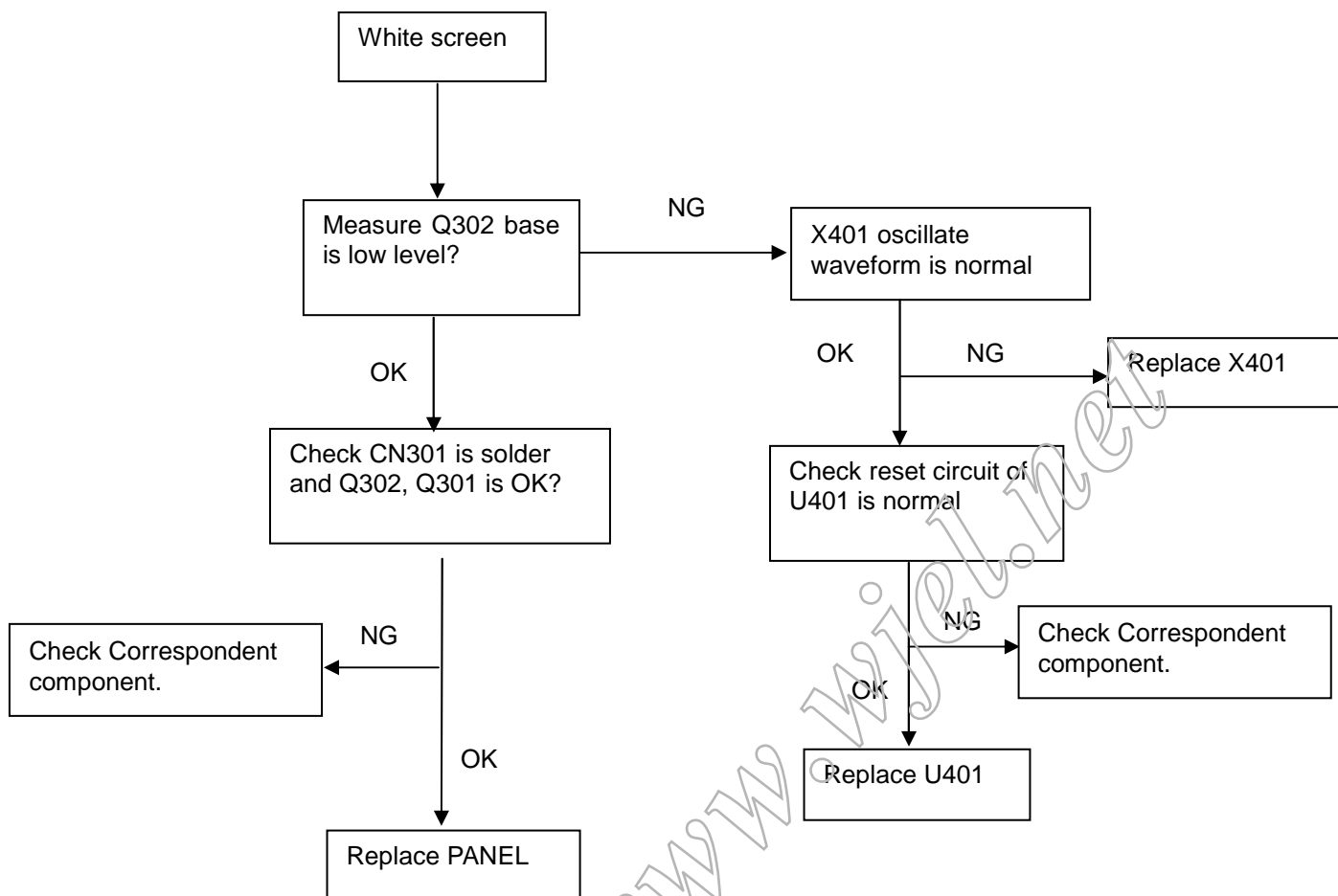
1. No Power



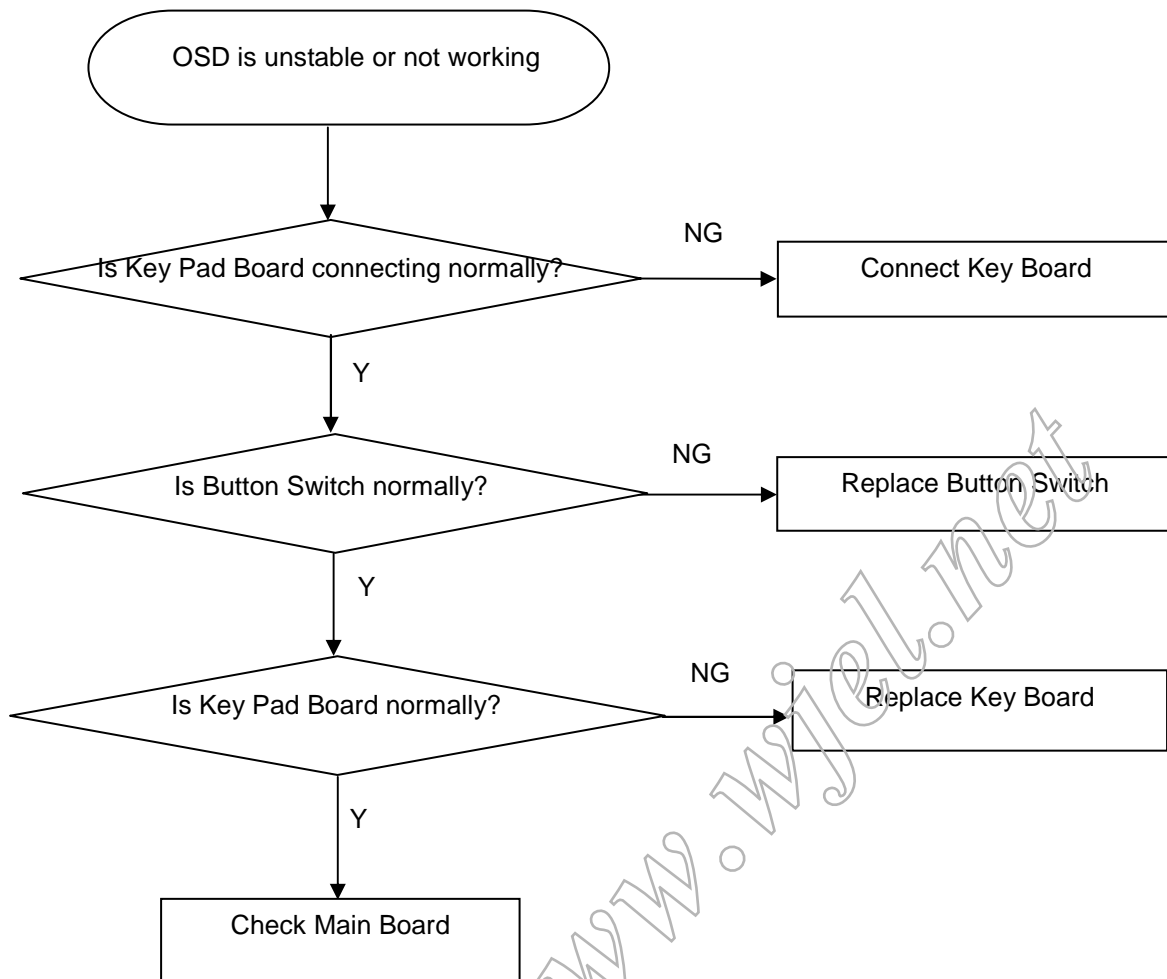
2. No Picture (LED is orange)



3. Panel Power Circuit

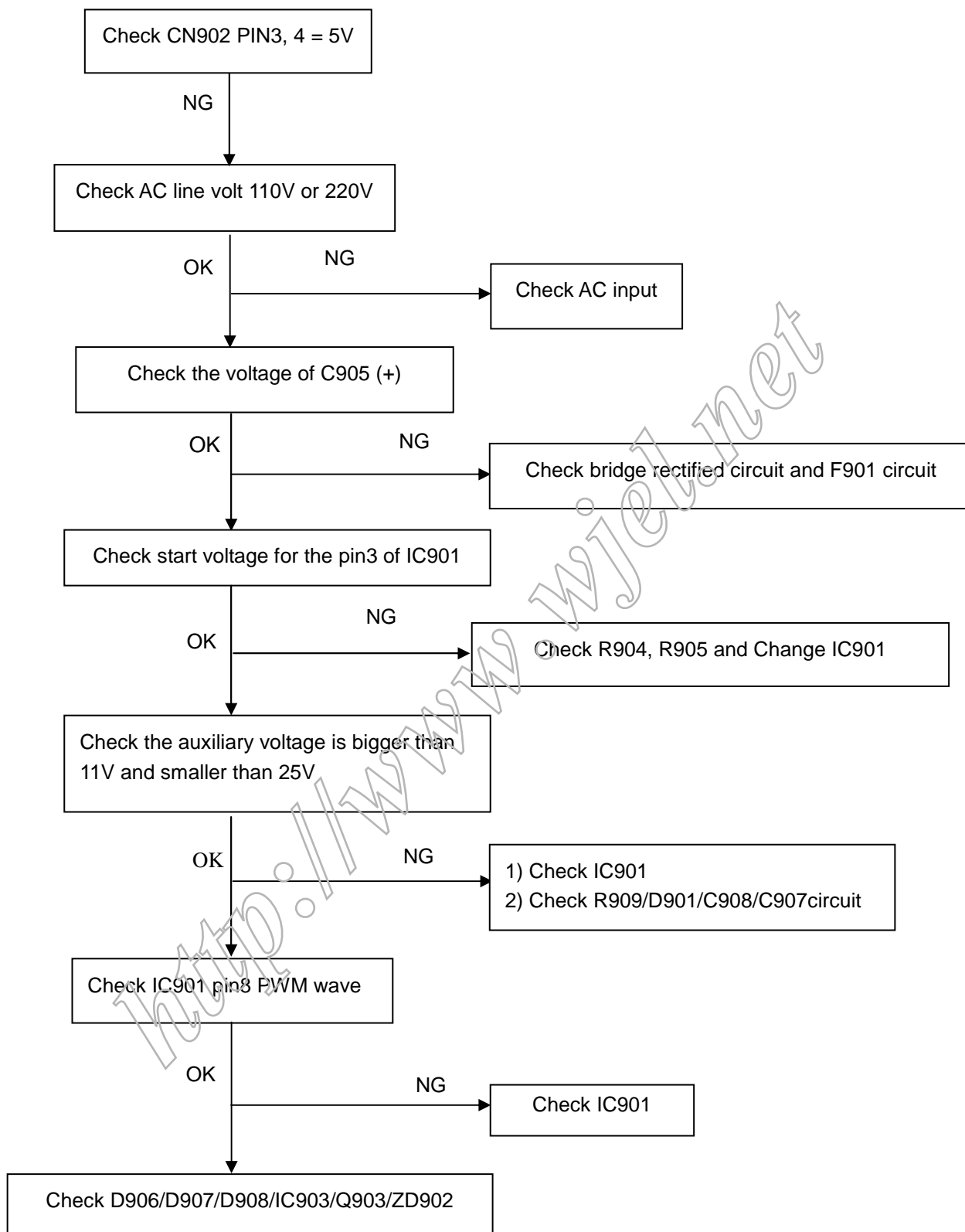


4. Key Board

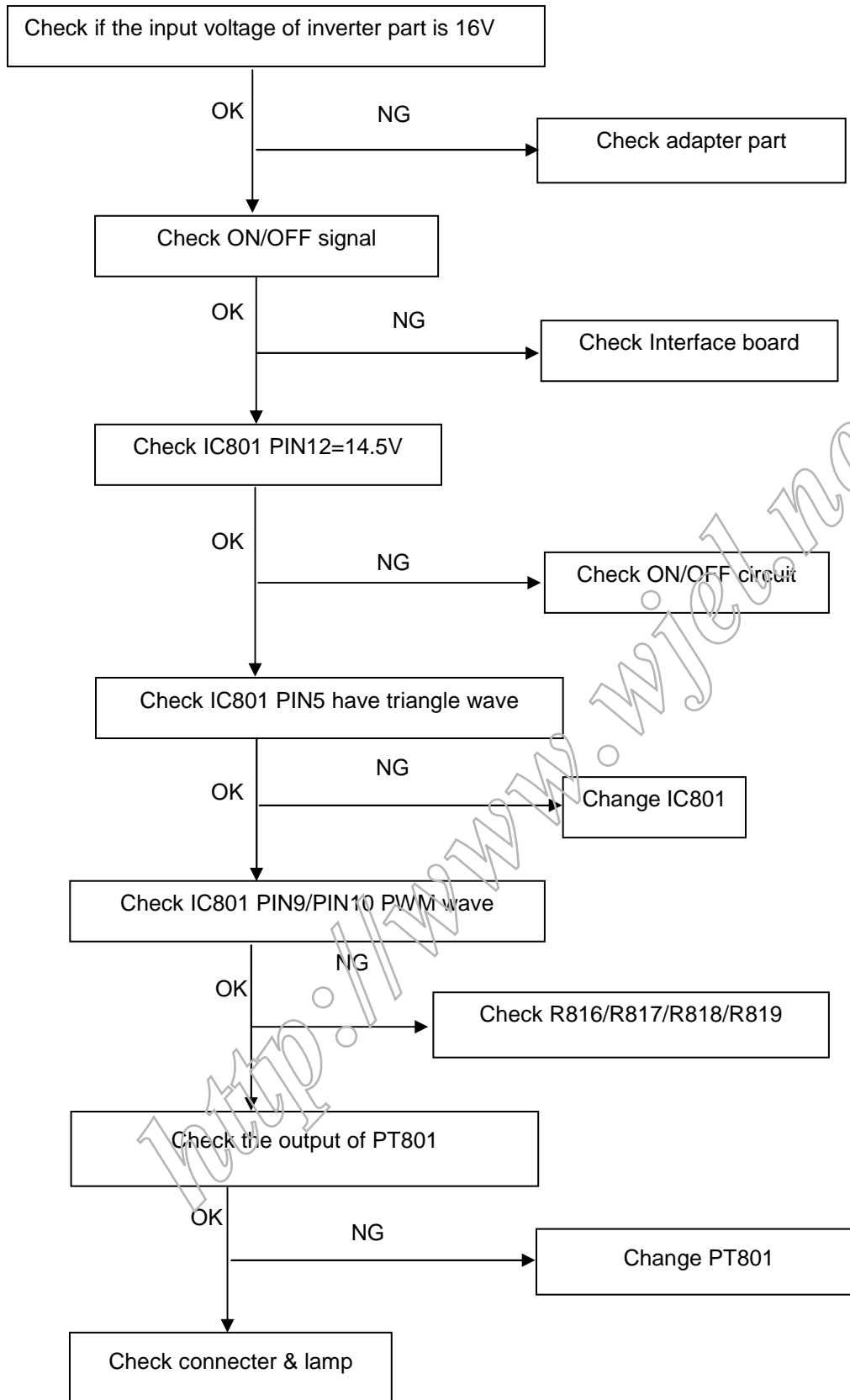


5. Power Board

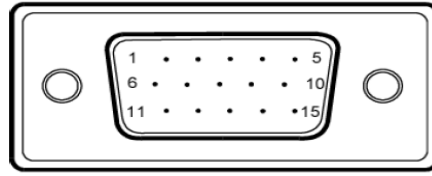
1) No power



2.) No Backlight



D-sub connect and DVI connect:



15-Pin Color Display Signal Cable

PIN NO.	DESCRIPTION	PIN NO.	DESCRIPTION
1.	Red	9.	+5V
2.	Green	10.	Logic Ground
3.	Blue	11.	Monitor Ground
4.	Monitor Ground	12.	DDC-Serial Data
5.	DDC-return	13.	H-Sync
6.	R-Ground	14.	V-Sync
7.	G-Ground	15.	DDC-Serial Clock
8.	B-Ground		



24-Pin Color Display Signal Cable

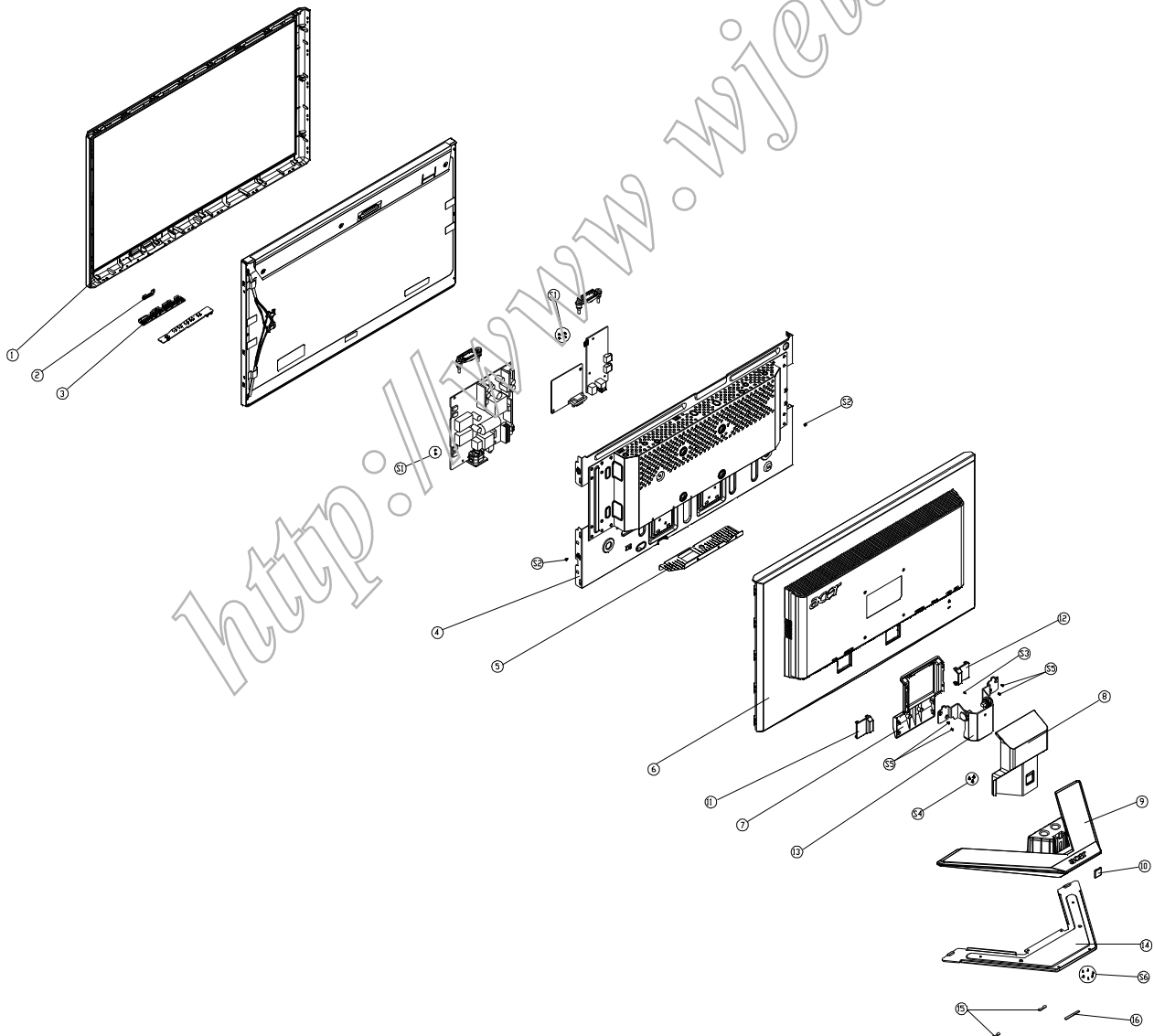
PIN	Meaning	PIN	Meaning
1.	TMDS Data2-	13.	TMDS Data3+
2.	TMDS Data2+	14.	+5V Power
3.	TMDS Data 2/4 Shield	15.	GND(return for +5V hsync.vsync)
4.	TMDS Data4-	16.	Hot Plug Detect
5.	TMDS Data4+	17.	TMDS Data0-
6.	DDC Clock	18.	TMDS Data0+
7.	DDC Data	19.	TMDS Data 0/5 Shield
8.	Analogue Vertical Sync	20.	TMDS Data5-
9.	TMDS Data1-	21.	TMDS Data5+
10.	TMDS Data1+	22.	TMDS Clock Shield
11.	TMDS Data 1/3 Shield	23.	TMDS Clock+
12.	TMDS Data3-	24.	DDC TMDS Clock-

This chapter gives you the FRU (Field Replaceable Unit) listing in global configurations of X233HZ&X243HQ. Refer to this chapter whenever ordering for parts to repair or for RMA (Return Merchandise Authorization).

NOTE: Please note WHEN ORDERING FRU PARTS, that you should check the most up-to-date information available on your regional web or channel (<http://aicsl.acer.com.tw/spl/>). For whatever reasons a part number change is made, it will not be noted in the printed Service Guide. For ACER AUTHORIZED SERVICE PROVIDERS, your Acer office may have a DIFFERENT part number code from those given in the FRU list of this printed Service Guide. You MUST use the local FRU list provided by your regional Acer office to order FRU parts for repair and service of customer machines.

NOTE: To scrap or to return the defective parts, you should follow the local government ordinance or regulations on how to dispose it properly, or follow the rules set by your regional Acer office on how to return it.




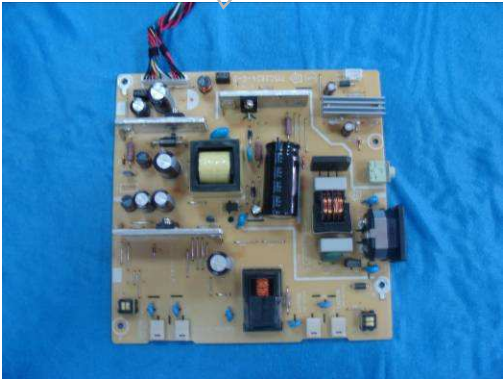
Exploded Diagram (Model: X243HQ&X233HZ)



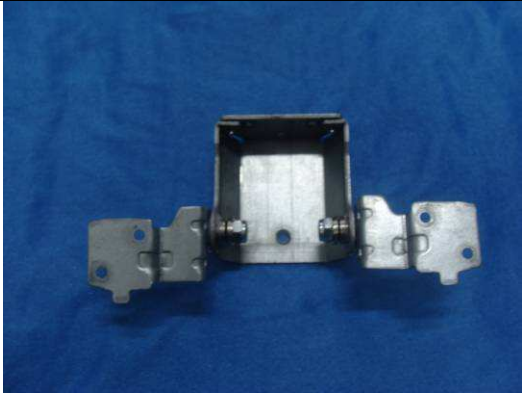
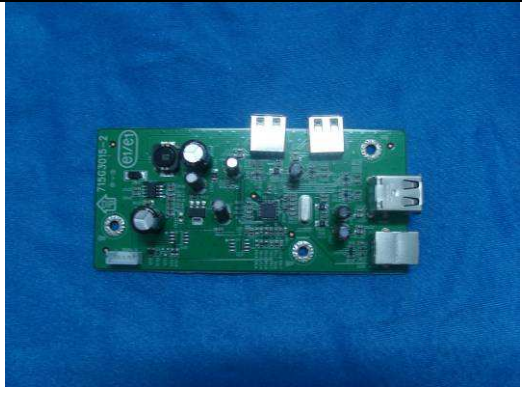
Item	Description	Part No.	Q`ty
1	SCERW M3X8	0Q1G130 8120	6
2	SCERW M4X8	0M1G140 8125	4
3	SCERW M4X10	0M1G1740 10120	3
4	SCERW M4X8	0Q1G 940 8120	1
5	SCERW M3X5	0M1G 130 5120	2
6	SCERW M3X6	0M1G1730 6120	6
7	RUBER FOOT 2	A12G0006 1	1
8	RUBER FOOT 1	A12G0007 1	2
9	BAES BRACKET	A15G0567 101	1
10	HINGE	A37G0110 1	1
11	HINGE COVER R	A33G0271 RX 2L0200	1
12	HINGE COVER L	A33G0271 RX 1L0200	1
13	BASE BUTTON	A33G0266 RX 1L0100	1
14	BASE	A34G1109 RX 1B0130	1
15	STAND REAR	A34G1108 RX 1B0100	1
16	STAND FRONT	A34G1107 RX 1B0100	1
17	REAR COVER	A34G1106 RX 1B0100	1
18	PW-SHIELD	A15G0478201	1
19	MAIN FRAME	A15G0477F01101	1
20	KEY BUTTON	Q33G0237 RX 1L0100	1
21	LED LENS	A33G0270 1 1L0100	1
22	BEZEL	A34G1105 RXA1B0130	1

Part List

Above picture show the description of the following component.

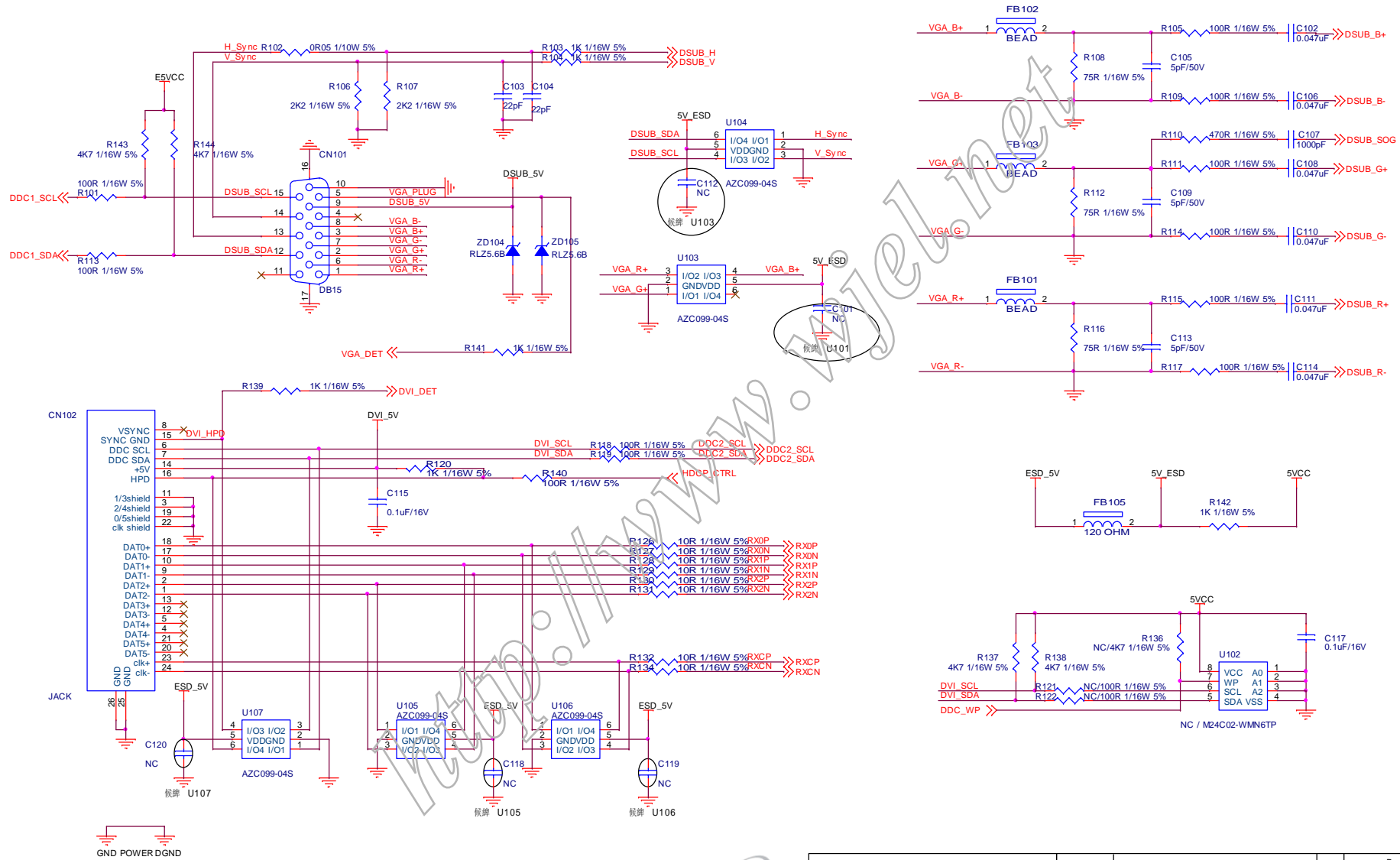
Picture	Description	Part No.
 A silver metal main frame assembly with a perforated top section and various mounting points and ports at the bottom.	Main_frame_Sam	A15G0477F01101
 A black plastic bezel frame with a rectangular shape and rounded corners.	Bezel	A34G1105 RXA1B0130
 A silver LCD panel with a green PCB at the bottom and various connectors and labels.	Panel	750GLM236H1112N000
 A yellow printed circuit board (PCB) with various electronic components including capacitors, resistors, and integrated circuits.	Power Board	PWPC8E41MQHA

	<p>Main Board</p>	<p>CBPCRNDABQP</p>
	<p>Key Board</p>	<p>KEPC7QK1</p>
	<p>Stand Front</p>	<p>A34G1107 RX 1B0100</p>
	<p>Base</p>	<p>A34G1109 RX 1B0130</p>
	<p>Stand Rear</p>	<p>A34G1108 RX 1B0100</p>

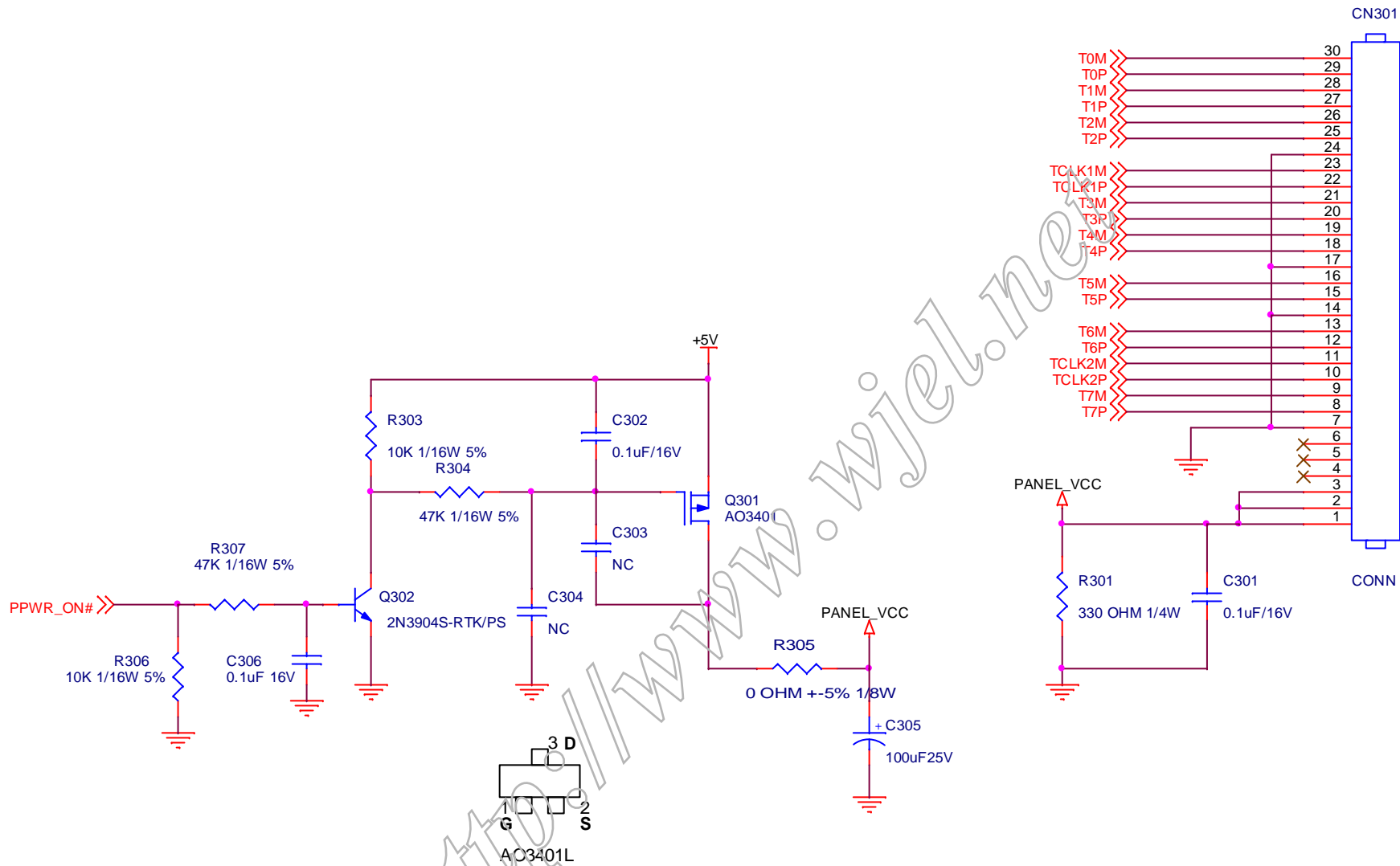
	<p>Hinge</p>	<p>A37G0110 1</p>
	<p>USB BOARD</p>	<p>USB7QK4</p>

<http://www.wjel.net>

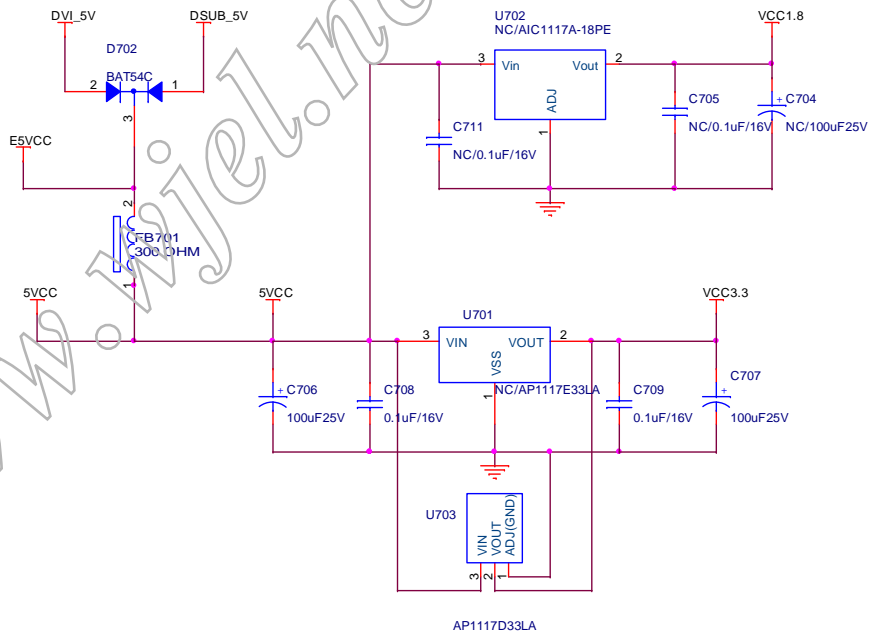
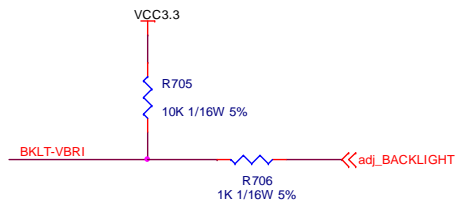
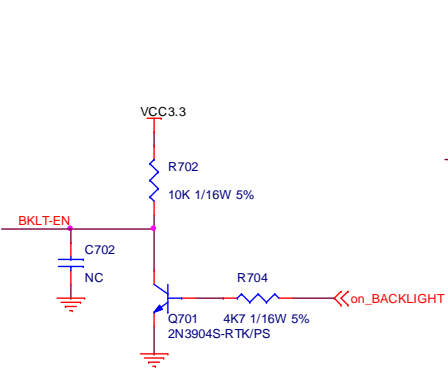
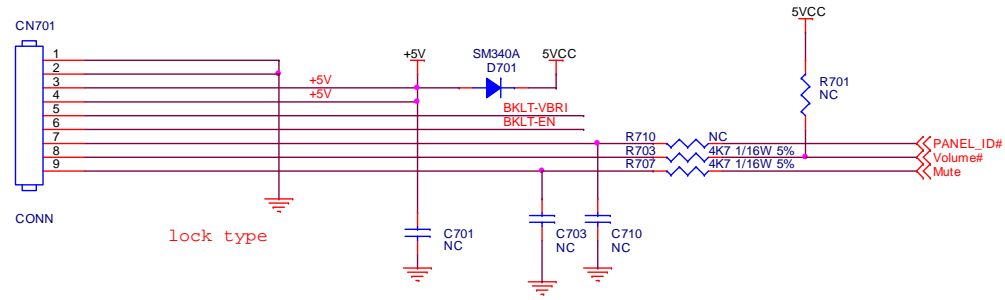
Main Board



TPV (Top Victory Electronics Co., Ltd.)	OEM MODEL	Acer X243HQ&X233HZ	Size	B	
話筒瓜廠	G3108-D-X-X-1-20080519	TPV MODEL	TDRMND8Y1ABPN	Rev	1
Key Component	2.0.INPUT	PCB NAME		修裝	<修裝>
Date	Thursday, May 22, 2008	Sheet	2 of 5		



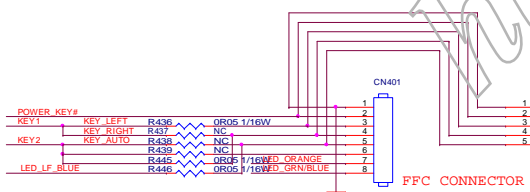
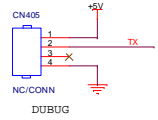
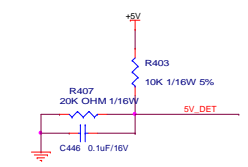
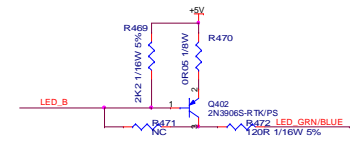
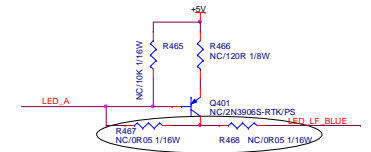
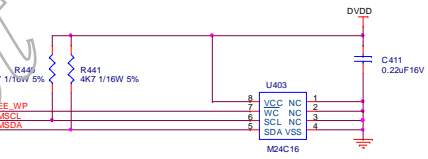
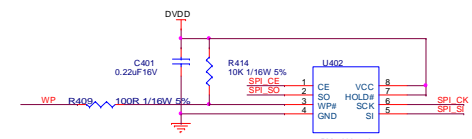
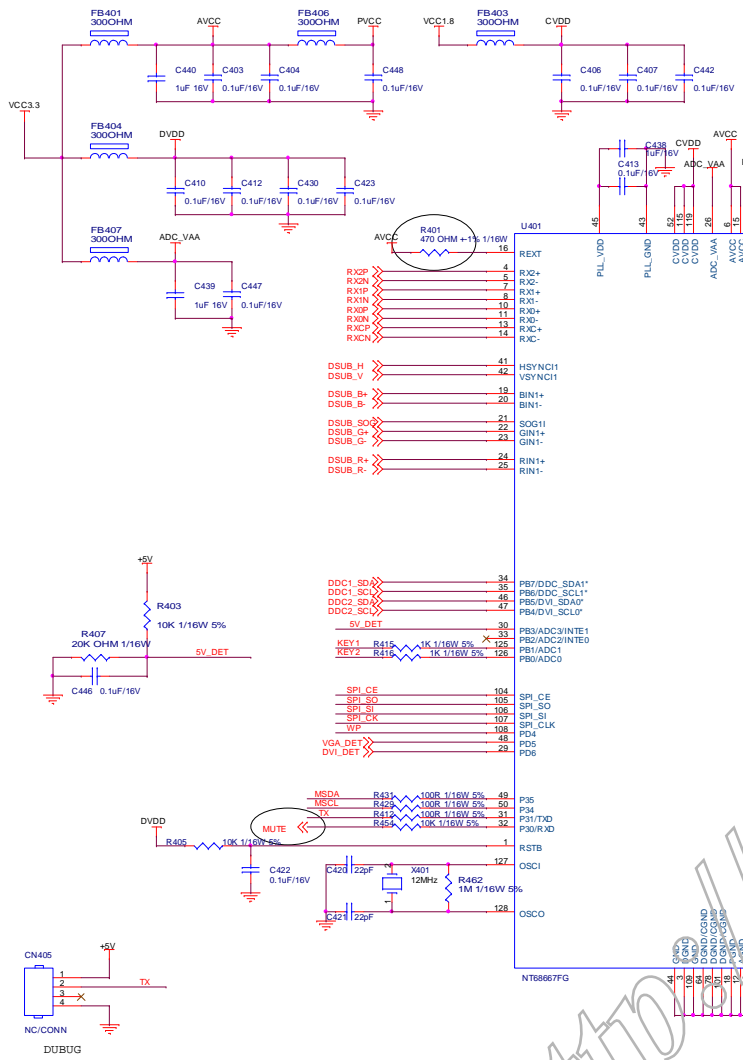
TPV (Top Victory Electronics Co., Ltd.)	OEM MODEL	Acer X243HQ&X233HZ	Size	A	
紙隔瓜網腹	G3108-D-X-X-1-20080519	TPV MODEL	TDRMNDD8Y1ABPN	Rev	1
Key Component	3.0.OUTPUT	PCB NAME		称爹	<称爹>
Date	Monday, May 19, 2008	Sheet	3 of 5		



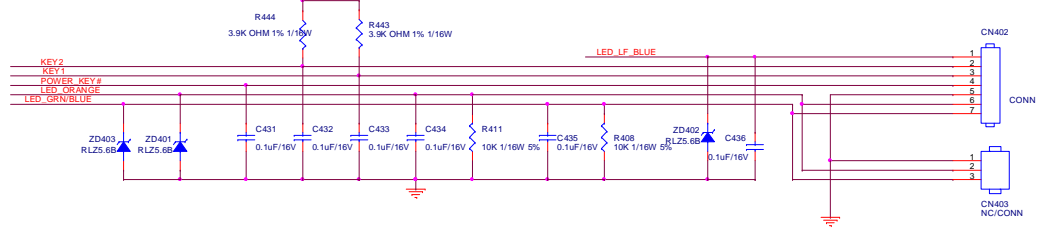
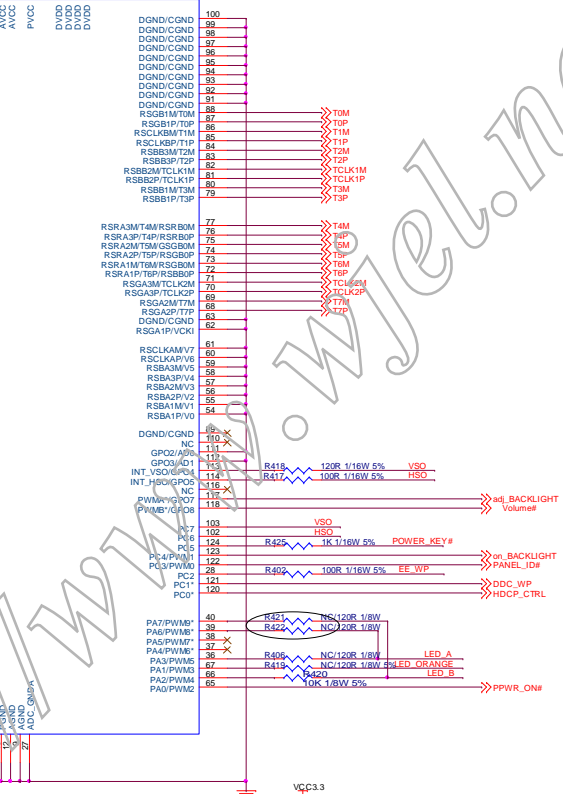
http://www.tpv.net



TPV (Top Victory Electronics Co., Ltd.)	OEM MODEL	Acer X243HQ&X233HZ	Size	B
絲隔瓜網廠 G3108-D-X-X-20080519	TPV MODEL	TDRMDD8Y1ABPN	Rev	1
Key Component 4.0.POWER	PCB NAME		稱號	<稱號>
Date Thursday, May 22, 2008	Sheet	4 of 5		

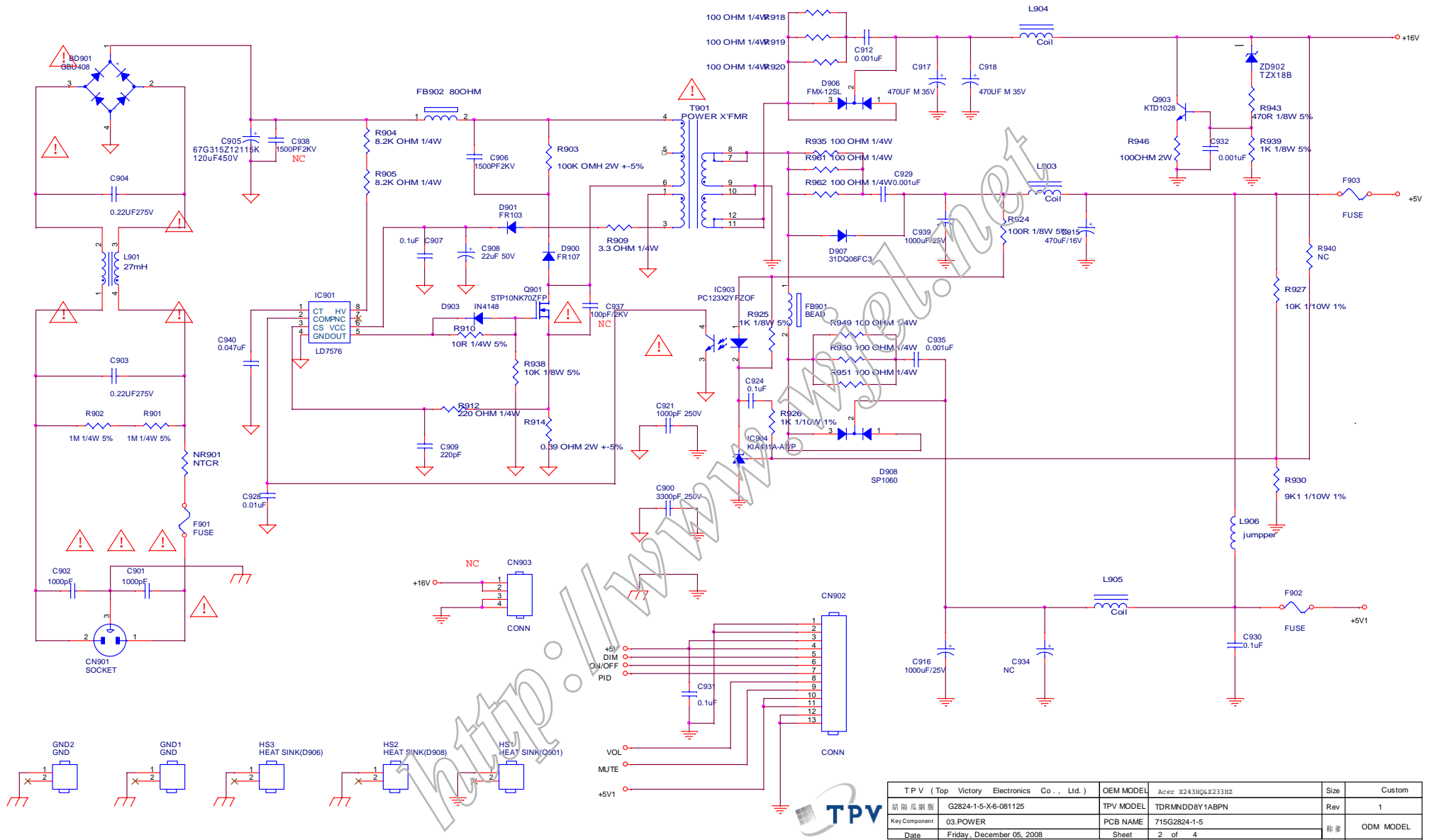


NC/2x4PIN/1.0mm CN401 PIN1~5cmCN406 PIN1~5 LAY

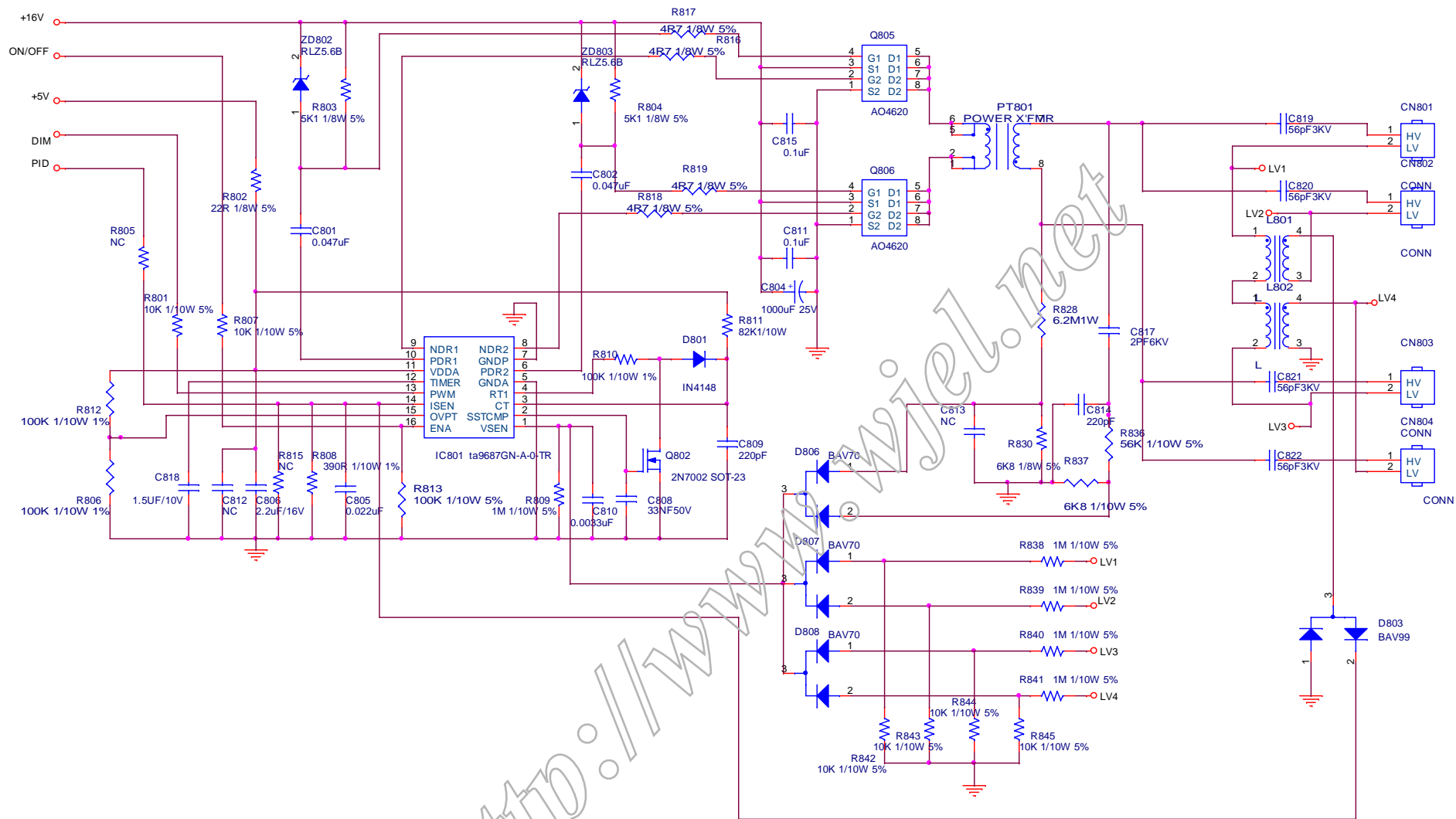


TP V (Top Victory Electronics Co., Ltd.)	OEM MODEL	Acer X243HQ&X233HZ	Size	C
冠捷电子	G3108-D-X-1-20080519	TPV MODEL	TDRMINDBY1ABPN	Rev
Key Component	5.0.SCALER	PCB NAME		<Rev>
Date	Thursday, May 22, 2008	Sheet	5 of 5	份数

Power board



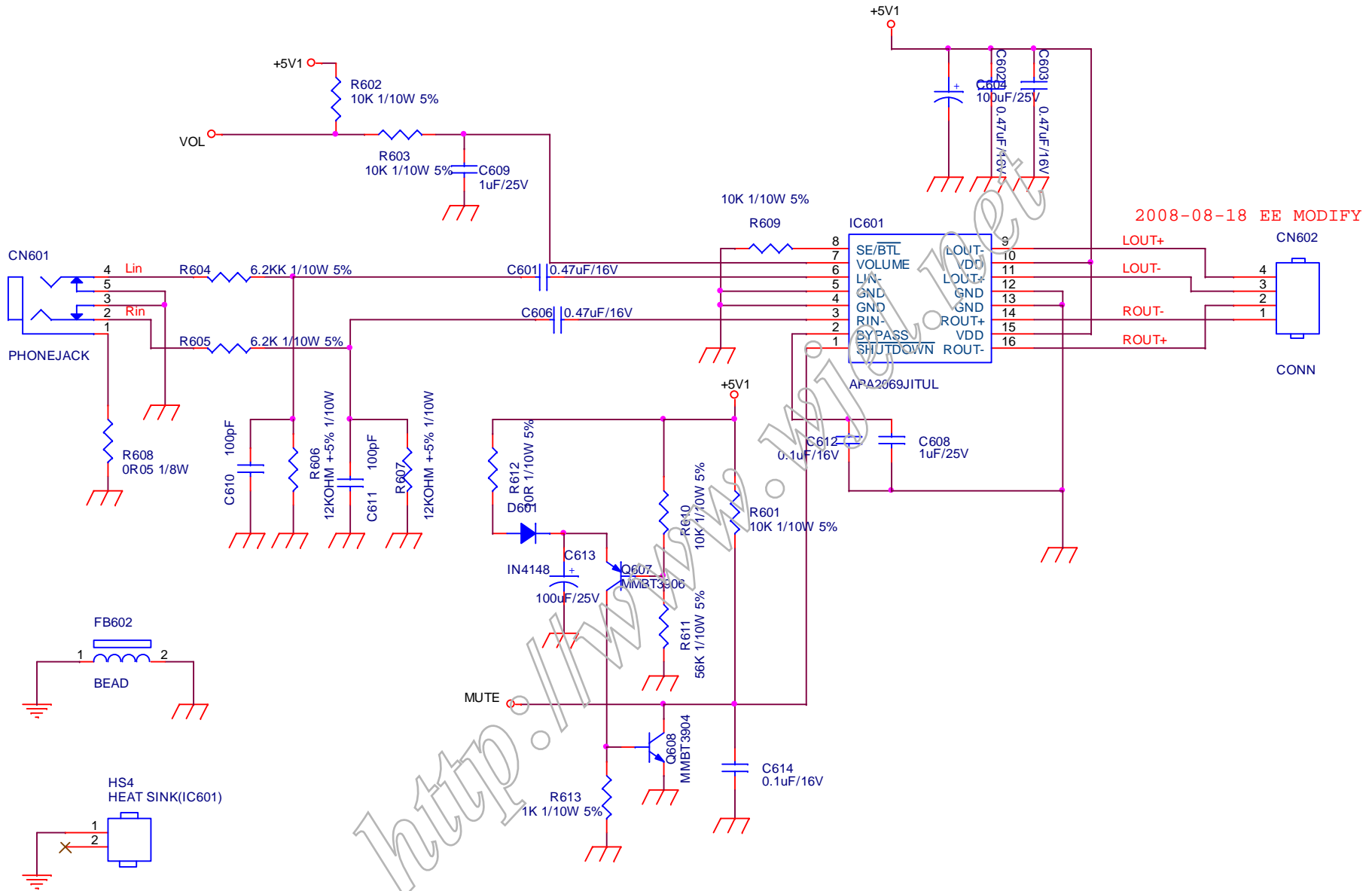
TPV (Top Victory Electronics Co., Ltd.)	OEM MODEL	Acer X243HQeX233HZ	Size	Custom
新瑞瓜網膜	G2824-1-5-X-6-081125	TPV MODEL	TDRMDD8Y1ABPN	Rev
Key Component	03.POWER	PCB NAME	715G2824-1-5	称差
Date	Friday, December 05, 2008	Sheet	2 of 4	ODM MODEL



http://www.wjwiel.net

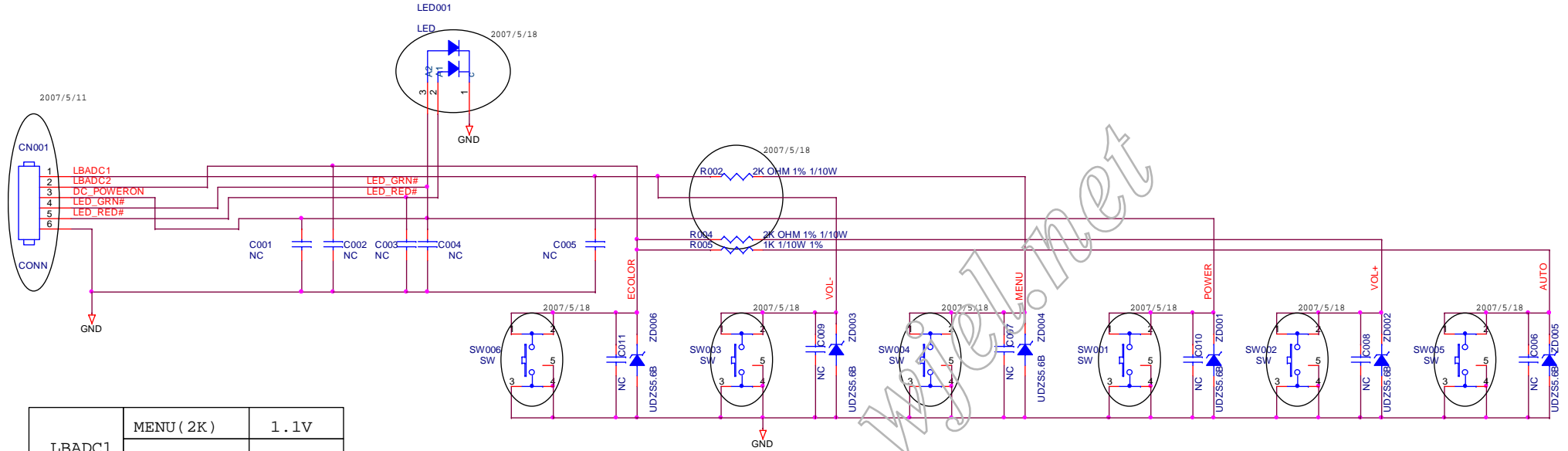


TPV (Top Victory Electronics Co., Ltd.)	OEM MODEL	Acer X243HQ&X233HZ	Size	Custom
結構瓜 蝦 膜 G2824-1-5-X-6-081125	TPV MODEL	TDRMND8Y1ABPN	Rev	1
Key Component	02.INVERTER	PCB NAME	715G2824-1-5	稱 委 ODM MODEL
Date	Friday, December 05, 2008	Sheet	3 of 4	



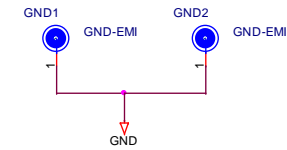
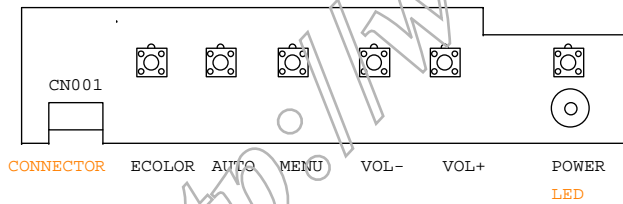
TPV (Top Victory Electronics Co., Ltd.)		OEM MODEL	Acer X243HQ&X233HZ	Size	Custom
紙隔瓜網版	G2824-1-5-X-6-081125	TPV MODEL	TDRMNDD8Y1ABPN	Rev	F
Key Component	04.AUDIO	PCB NAME	715G2824-1-5	称爹	ODM MODEL
Date	Friday, December 05, 2008	Sheet	4 of 4		

Key board



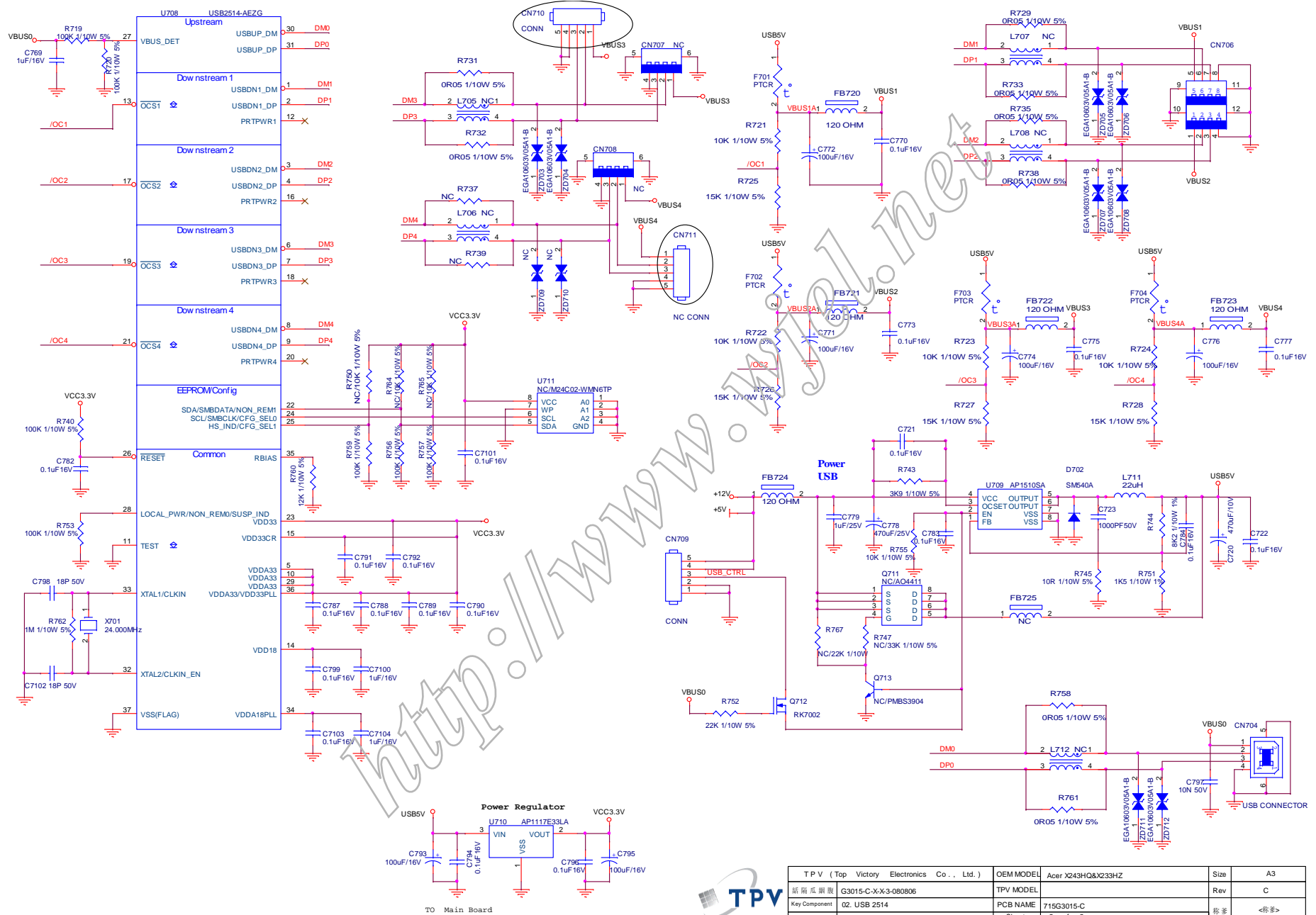
LBADC1	MENU (2K)	1.1V
	VOL- (GND)	0 V
LBADC2	VOL+ (2K)	1.1V
	AUTO (1K)	0.65V
	ECOLOR (GND)	0 V

change Net name
MENU--->AUTO
AUTO----MENU



TPV (Top Victory Electronics Co. , Ltd.)	OEM MODEL		Size	B
絲隔瓜網膜	G2731-B-AC-X-1-070617	TPV MODEL	ACER	Rev
Key Component	02.Key Board	PCB NAME	715G2731-B-AC	称差
Date	Sunday , June 17, 2007	Sheet	1 of 2	<称差>

Usb board



TPV (Top Victory Electronics Co., Ltd.)	OEM MODEL	Acer X243HQ&X233HZ	Size	A3
系统板	TPV MODEL	G3015-C-X-X3-080806	Rev	C
Key Component	02. USB 2514	PCB NAME	715G3015-C	名称
Date	Wednesday, August 06, 2008	Sheet	2 of 2	<序号>