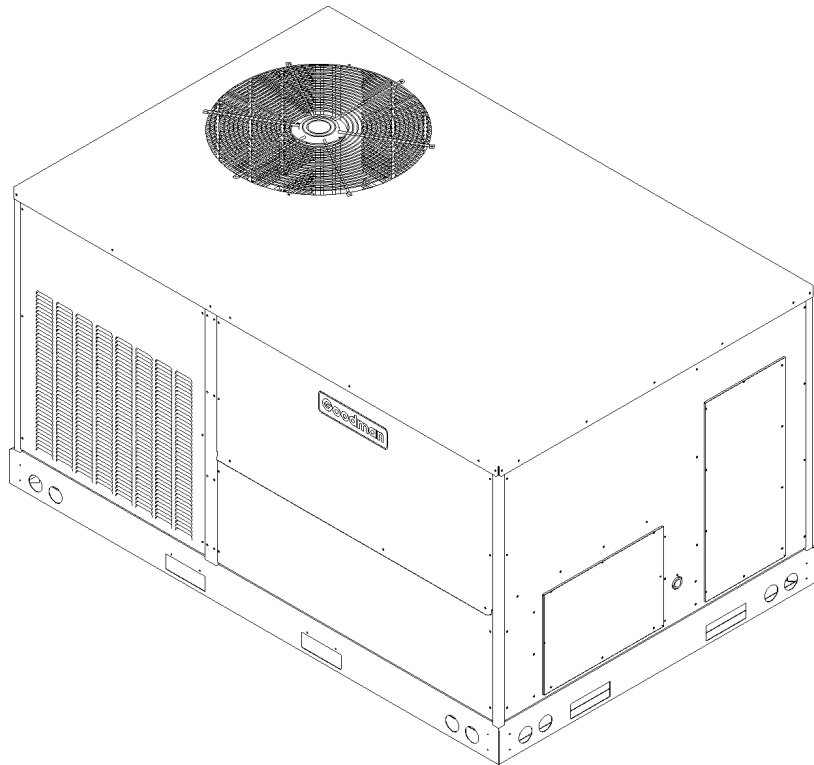


REPAIR PARTS

Light Commercial 3 - 6 Ton Belt Drive Packaged Heat Pumps

CPH036XXX3BXJXBA
CPH036XXX3BXXXBA
CPH036XXX4BXJXBA
CPH036XXX4BXXXBA
CPH048XXX3BXJXBA
CPH048XXX3BXXXBA
CPH048XXX4BXJXBA
CPH048XXX4BXXXBA
CPH048XXX7BXJXBA
CPH048XXX7BXXXBA
CPH060XXX3BXJXBA
CPH060XXX3BXXXBA
CPH060XXX4BXJXBA
CPH060XXX4BXXXBA
CPH060XXX7BXJXBA
CPH060XXX7BXXXBA
CPH072XXX3BXJXBA
CPH072XXX3BXXXBA
CPH072XXX4BXJXBA
CPH072XXX4BXXXBA
CPH072XXX7BXJXBA
CPH072XXX7BXXXBA



This manual is to be used by qualified technicians only.

This manual replaces RP-526

© 2008-2009 Goodman Manufacturing Company, L.P. ♦ 5151 San Felipe, Suite 500 ♦ Houston, TX 77056

Important Information

Index

Functional Parts List	3
Illustration and Parts	4 - 13

Views shown are for parts illustrations only, not servicing procedures.

This system uses R410A refrigerant. If sealed system work is required, use approved equipment and follow service procedures. Refer to Service Manual or Installation Instructions for service procedures.

Rev. A: Added 6 Ton models

Text Codes:

AR - As Required

NA - Not Available

NS - Not Shown

00000000 - See Note

QTY - Quantity Example (QTY 3) (If Quantity not shown, Quantity = 1)

M - Model Example (M1) (If M Code not shown, then part is used on all Models)

Expanded Model Nomenclature:

Example M1 - Model#1 M2 - Model#2 M3 - Model#3

Goodman Manufacturing Company, L.P. is not responsible for personal injury or property damage resulting from improper service. Review all service information before beginning repairs.

Warranty service must be performed by an authorized technician, using authorized factory parts. If service is required after the warranty expires, Goodman Manufacturing Company, L.P. also recommends contacting an authorized technician and using authorized factory parts.

Goodman Manufacturing Company, L.P. reserves the right to discontinue, or change at any time, specifications or designs without notice or without incurring obligations.

For assistance within the U.S.A. contact:
Consumer Affairs Department
Goodman Manufacturing Company, L.P.
7401 Security Way
Houston, Texas 77040
877-254-4729-Telephone
713-863-2382-Facsimile

For assistance outside the U.S.A. contact:
International Division
Goodman Manufacturing Company, L.P.
7401 Security Way
Houston, Texas 77040
713-861-2500-Telephone
713-863-2382-Facsimile

Functional Parts

Part

No: Description:

0130M00025S	24V RELAY (M3, M4, M7, M8, M9, M10, M13, M14, M15, M16, M19, M20, M21, M22)
PCBFM103S	BOARD, ELECTRONIC BLOWER TIME DELAY RELAY
CAP050000370VAS	CAPACITOR 5/370V
ZP31K5ETF5830	COMPRESSOR 31200, 200/230/60/3 (M1, M2)
ZP31K5ETFD830	COMPRESSOR 31200, 460/60/3 (M3, M4)
ZP39K5ETF5830	COMPRESSOR 39000, 200/230/60/3 (M5, M6)
ZP39K5ETFD830	COMPRESSOR 39000, 460/60/3 (M7, M8)
ZP39K5ETFE830	COMPRESSOR 39000, 575/60/3 (M9, M10)
ZP51K5ETF5830	COMPRESSOR 51000, 208/230/60/3 (M11, M12)
ZP51K5ETFD830	COMPRESSOR 51000, 460/60/3 (M13, M14)
ZP51K5ETFE830	COMPRESSOR 51000, 575/60/3 (M15, M16)
ZP61KCETF5830	COMPRESSOR 61500, 200/230/60/3 (M17, M18)
ZP61KETF830	COMPRESSOR 61500, 460/60/3 (M19, M20)
ZP61KETF830	COMPRESSOR 61500, 575/60/3 (M21, M22)
0131M00008PS	COND MOTOR 1/3 HP, 1 SP, 6 PL (M17, M18)
B13400249S	COND MOTOR 1/3 HP, 460V (M19, M20)
0131M00007PS	COND MOTOR 1/4 HP, 1 SP, 6 PL (M1, M2, M5, M6, M11, M12)
B13400269S	COND MOTOR 380/460 50/60 CYCLE (M3, M4, M7, M8, M13, M14)
0131M00098S	COND MOTOR 575V (M9, M10, M15, M16)
0131M00100S	COND MOTOR 575V (M21, M22)
CONT3P025024VS	CONTACTOR 25 AMP, 3P, 24V (M3, M4, M7, M8, M9, M10, M13, M14, M15, M16, M19, M20, M21, M22)
CONT3P030024VS	CONTACTOR 30 AMP, 3P, 24V (M1, M2, M5, M6, M11, M12, M17, M18)
0130M00055	CUT-OUT SWITCH, HIGH PRESSURE
0130L00007	CUT-OUT SWITCH, LOW PRESSURE
0130M00056	DEFROST CONTROL (M1, M2, M3, M4, M5, M6, M7, M8, M9, M10, M11, M12, M13, M14, M15, M16)
PCBDM101S	DEFROST CONTROL BOARD
0130M00038S	TERMINAL BOARD
B1141643	TRANSFORMER 208/230, 24V (M1, M2, M5, M6, M11, M12, M17, M18)
B1141672	TRANSFORMER 480V, 75VA, RESETTABLE (M3, M4, M7, M8, M13, M14, M19, M20)
0130M00045S	TRANSFORMER 575/24V (M9, M10, M15, M16, M21, M22)

SPECIAL PARTS

IO-354A	INSTALLATION INSTRUCTIONS
RP-526A	REPAIR PARTS MANUAL
B1757910	SUPPLEMENTAL INSERT (EBTDR)

Expanded Model Nomenclature

M1 - CPH036XXX3BXJXBA
M2 - CPH036XXX3BXXBA
M3 - CPH036XXX4BXJXBA
M4 - CPH036XXX4BXXBA
M5 - CPH048XXX3BXJXBA
M6 - CPH048XXX3BXXBA
M7 - CPH048XXX4BXJXBA
M8 - CPH048XXX4BXXBA
M9 - CPH048XXX7BXJXBA
M10 - CPH048XXX7BXXBA
M11 - CPH060XXX3BXJXBA
M12 - CPH060XXX3BXXBA
M13 - CPH060XXX4BXJXBA
M14 - CPH060XXX4BXXBA
M15 - CPH060XXX7BXJXBA
M16 - CPH060XXX7BXXBA
M17 - CPH072XXX3BXJXBA
M18 - CPH072XXX3BXXBA
M19 - CPH072XXX4BXJXBA
M20 - CPH072XXX4BXXBA
M21 - CPH072XXX7BXJXBA
M22 - CPH072XXX7BXXBA

Top Panel/Tubing Assy

Image 1

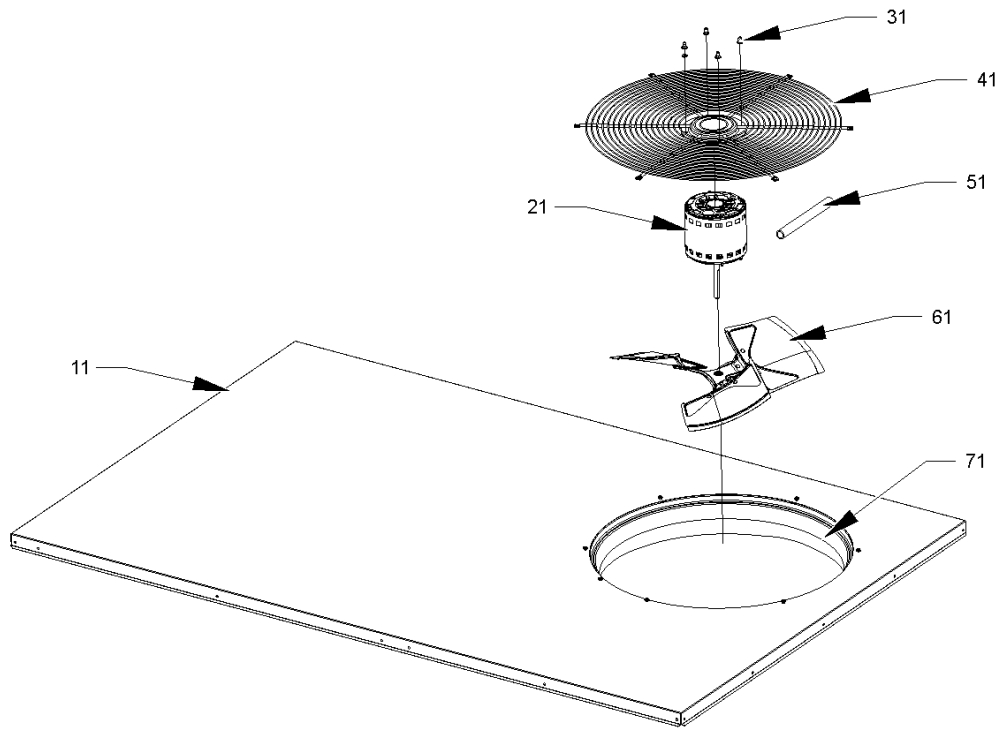
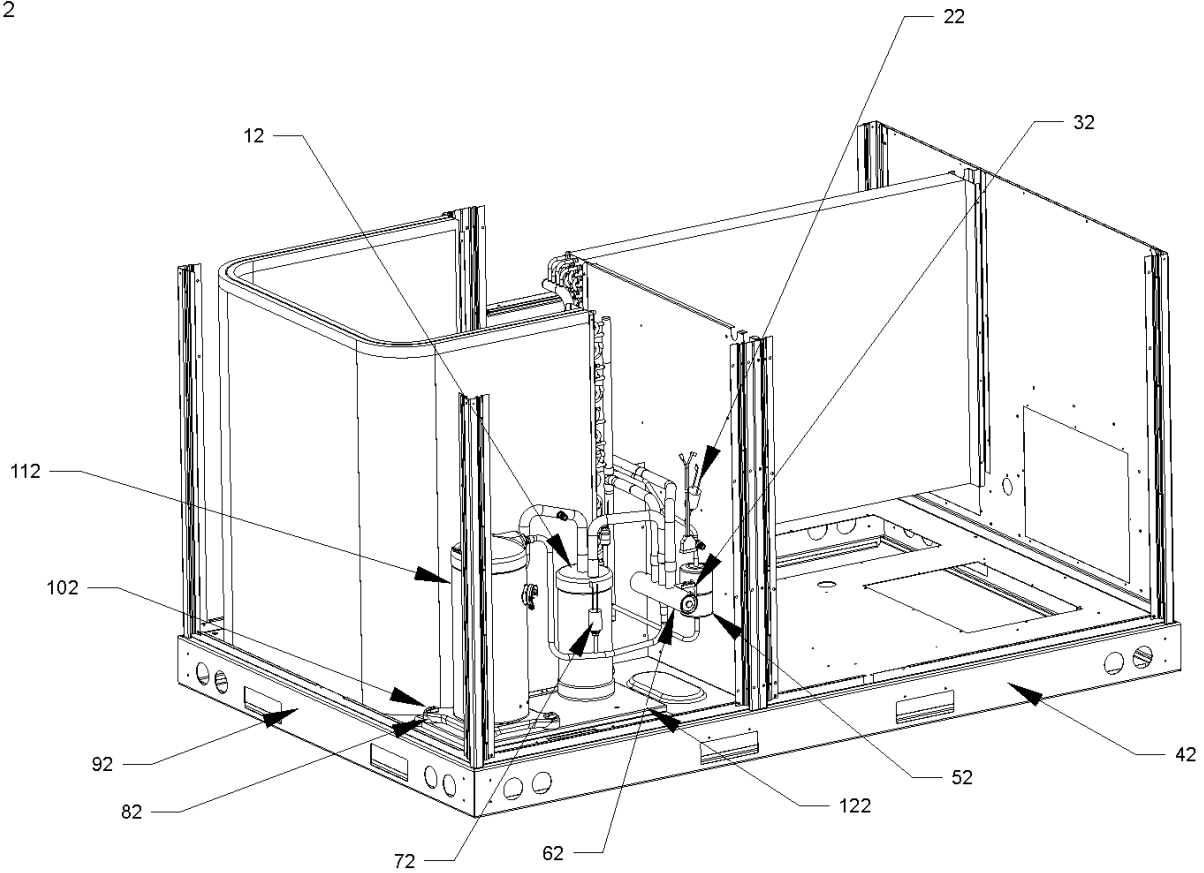


Image 2



Top Panel/Tubing Assy

Ref. Part No:	No:	Description:	Ref. Part No:	No:	Description:
<i>Image 1:</i>			Expanded Model Nomenclature		
11	0270L00086S	INSULATED ASSY, TOP PANEL	M1	-	CPH036XXX3BXJXBA
21	0131M00008PS	COND MOTOR 1/3 HP, 1 SP, 6 PL (M17, M18)	M2	-	CPH036XXX3BXXXBA
21	B13400249S	COND MOTOR 1/3 HP, 460V (M19, M20)	M3	-	CPH036XXX4BXJXBA
21	0131M00007PS	COND MOTOR 1/4 HP, 1 SP, 6 PL (M1, M2, M5, M6, M11, M12)	M4	-	CPH036XXX4BXXXBA
21	B13400269S	COND MOTOR 380/460 50/60 CYCLE (M3, M4, M7, M8, M13, M14)	M5	-	CPH048XXX3BXJXBA
21	0131M00098S	COND MOTOR 575V (M9, M10, M15, M16)	M6	-	CPH048XXX3BXXXBA
21	0131M00100S	COND MOTOR 575V (M21, M22)	M7	-	CPH048XXX4BXJXBA
31	0163M00006P	ACORN NUT 5/16 HEX BLACK (QTY 4)	M8	-	CPH048XXX4BXXXBA
41	0152G00002S	FAN GRILLE	M9	-	CPH048XXX7BXJXBA
51	17788000083F	PVC CONDUIT 8.25"	M10	-	CPH048XXX7BXXXBA
61	0150G00001S	FAN BLADE	M11	-	CPH060XXX3BXJXBA
71	0161L00000	VENTURI RING 22"	M12	-	CPH060XXX3BXXXBA
<i>Image 2:</i>			M13	-	CPH060XXX4BXJXBA
12	B1226206	ACCUMULATOR (M1, M2, M3, M4)	M14	-	CPH060XXX4BXXXBA
12	B1226207	ACCUMULATOR .875 (M5, M6, M7, M8, M9, M10, M11, M12, M13, M14, M15, M16, M17, M18, M19, M20, M21, M22)	M15	-	CPH060XXX7BXJXBA
22	0130L00007	CUT-OUT SWITCH, LOW PRESSURE	M16	-	CPH060XXX7BXXXBA
32	B1225022S	SOLENOID COIL	M17	-	CPH072XXX3BXJXBA
42	0121L00244RF	SIDE RAIL (QTY 2)	M18	-	CPH072XXX3BXXXBA
52	20485201	BI-FLOW FILTER DRIER (M17, M18, M19, M20, M21, M22)	M19	-	CPH072XXX4BXJXBA
52	B1219204	BI-FLOW FILTER DRIER, STEEL (M1, M2, M3, M4, M5, M6, M7, M8, M9, M10, M11, M12, M13, M14, M15, M16)	M20	-	CPH072XXX4BXXXBA
62	B1227316S	REVERSING VALVE (M1, M2, M3, M4)	M21	-	CPH072XXX7BXJXBA
62	B1227318S	REVERSING VALVE (M5, M6, M7, M8, M9, M10, M11, M12, M13, M14, M15, M16, M17, M18, M19, M20, M21, M22)	M22	-	CPH072XXX7BXXXBA
72	0130M00055	CUT-OUT SWITCH, HIGH PRESSURE			
82	B1339533	COMPRESSOR GROMMET (QTY 4)			
92	0121L00245	END RAIL (QTY 2)			
102	M0221641	TF SHOULDER SCREW (QTY 4)			
112	ZP31K5ETF5830	COMPRESSOR 31200, 200/230/60/3 (M1, M2)			
112	ZP31K5ETFD830	COMPRESSOR 31200, 460/60/3 (M3, M4)			
112	ZP39K5ETF5830	COMPRESSOR 39000, 200/230/60/3 (M5, M6)			
112	ZP39K5ETFD830	COMPRESSOR 39000, 460/60/3 (M7, M8)			
112	ZP39K5ETFE830	COMPRESSOR 39000, 575/60/3 (M9, M10)			
112	ZP51K5ETF5830	COMPRESSOR 51000, 208/230/60/3 (M11, M12)			
112	ZP51K5ETFD830	COMPRESSOR 51000, 460/60/3 (M13, M14)			
112	ZP51K5ETFE830	COMPRESSOR 51000, 575/60/3 (M15, M16)			
112	ZP61KCETF5830	COMPRESSOR 61500, 200/230/60/3 (M17, M18)			
112	ZP61KETF830	COMPRESSOR 61500, 460/60/3 (M19, M20)			
112	ZP61KETF830	COMPRESSOR 61500, 575/60/3 (M21, M22)			
122	0121L00309	COMPRESSOR MOUNTING PLATE			
NS	0159L00028	COMPRESSOR SCROLL HARNESS			

Cabinet Assy

Image 1

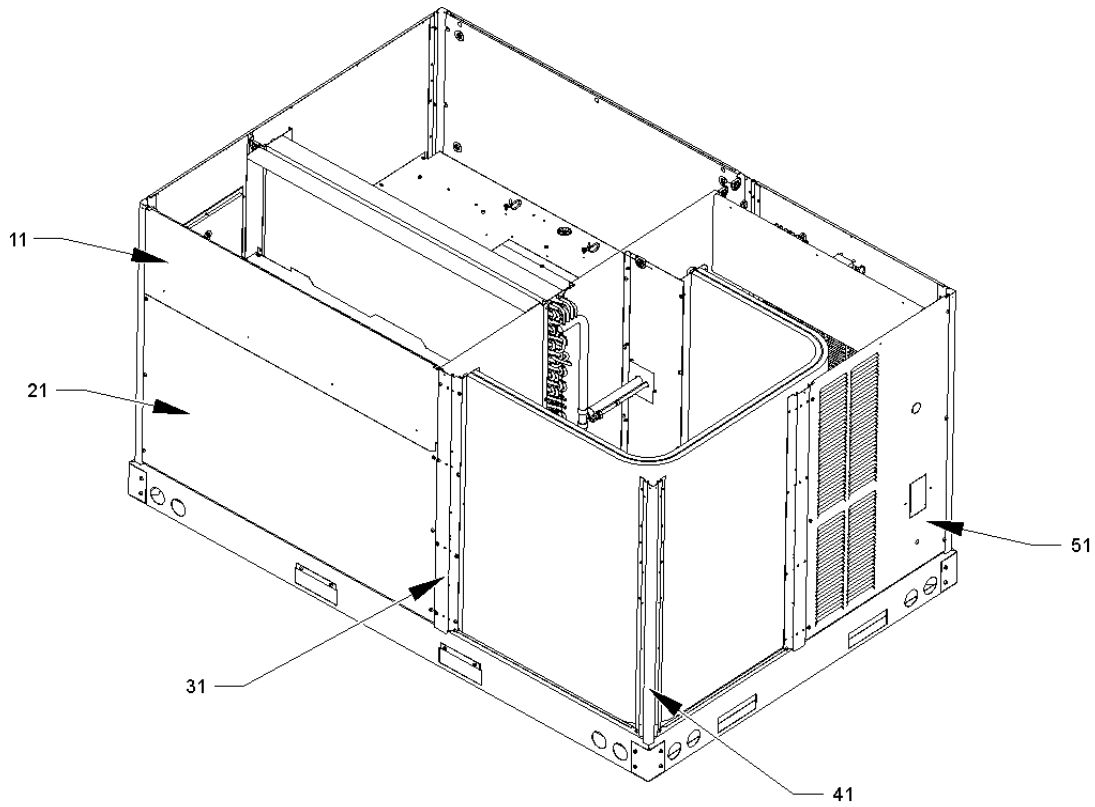
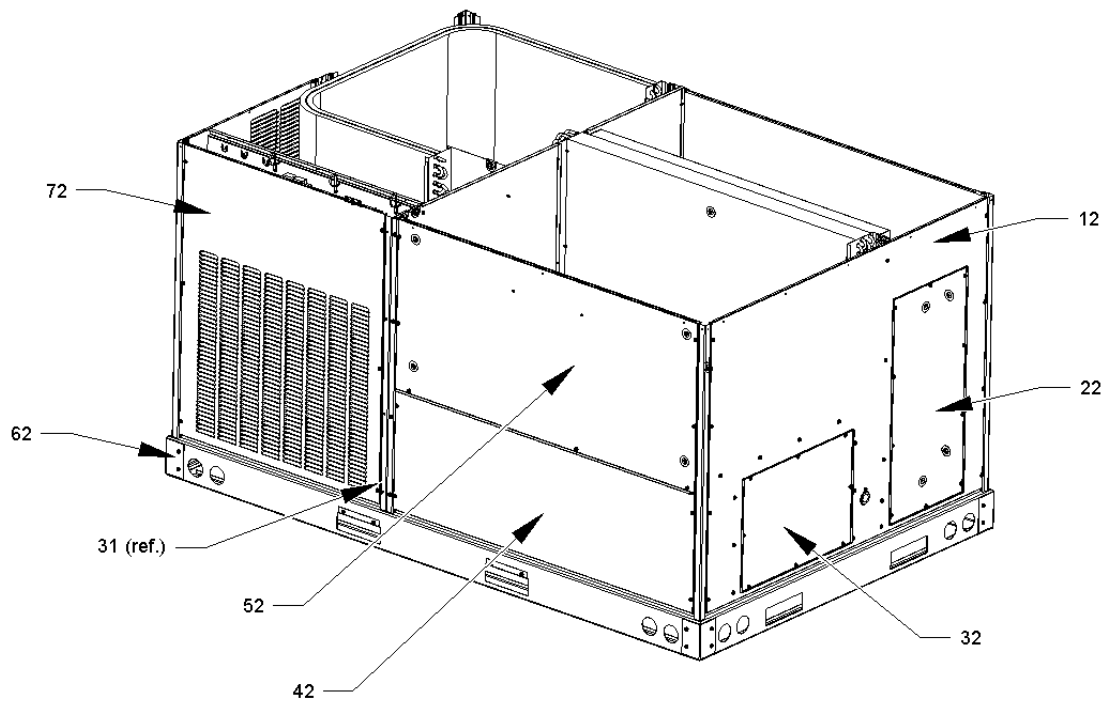


Image 2



Cabinet Assy

**Ref. Part
No: No:**

Description:

**Ref. Part
No: No:**

Description:

Image 1:

11	0270L00080	INSULATED ASSY, FILTER DOOR (M1, M2, M3, M4, M5, M6, M7, M8, M9, M10, M11, M12, M13, M14, M15, M16)
11	0270L00139	INSULATED ASSY, FILTER DOOR (M17, M18, M19, M20, M21, M22)
21	0270L00081	INSULATED ASSY, ECONOMIZER DOOR
31	0121L00233RFDG	POST-SIDE SUPPORT (M1, M2, M3, M4, M5, M6, M7, M8, M9, M10, M11, M12, M13, M14, M15, M16)
31	0121L00343RFDG	POST-SIDE SUPPORT (M17, M18, M19, M20, M21, M22)
41	0121L00237RFDG	CORNER POST (M1, M2, M3, M4, M5, M6, M7, M8, M9, M10, M11, M12, M13, M14, M15, M16)
41	0121L00344RFDG	CORNER POST (M17, M18, M19, M20, M21, M22)
51	0121L00263DG	LOUVERED COMPRESSOR PANEL (M1, M2, M3, M4, M5, M6, M7, M8, M9, M10, M11, M12, M13, M14, M15, M16)
51	0121L00354DG	LOUVERED COMPRESSOR PANEL (M17, M18, M19, M20, M21, M22)
NS	0121L00321	SMOKE DETECTOR COVER

Image 2:

12	0270L00079	INSULATED ASSY, DUCT PANEL (M1, M2, M3, M4, M5, M6, M7, M8, M9, M10, M11, M12, M13, M14, M15, M16)
12	0270L00145	INSULATED ASSY, DUCT PANEL (M17, M18, M19, M20, M21, M22)
22	0270L00011S	INSULATED ASSY, RETURN DUCT
32	0270L00012S	INSULATED ASSY, SUPPLY DUCT
42	0121L00279DG	ELECTRIC HEAT DOOR
52	0270L00084	INSULATED ASSY, BLOWER DOOR (M1, M2, M3, M4, M5, M6, M7, M8, M9, M10, M11, M12, M13, M14, M15, M16)
52	0270L00146	INSULATED ASSY, BLOWER DOOR (M17, M18, M19, M20, M21, M22)
62	0121G00301	RAIL CORNER BRACKET (QTY 4)
72	0121L00262DG	LOUVERED CONTROL PANEL (M1, M2, M3, M4, M5, M6, M7, M8, M9, M10, M11, M12, M13, M14, M15, M16)
72	0121L00353DG	LOUVERED CONTROL PANEL (M17, M18, M19, M20, M21, M22)

Expanded Model Nomenclature

M1 - CPH036XXX3BXJXBA
M2 - CPH036XXX3BXXXBA
M3 - CPH036XXX4BXJXBA
M4 - CPH036XXX4BXXXBA
M5 - CPH048XXX3BXJXBA
M6 - CPH048XXX3BXXXBA
M7 - CPH048XXX4BXJXBA
M8 - CPH048XXX4BXXXBA
M9 - CPH048XXX7BXJXBA
M10 - CPH048XXX7BXXXBA
M11 - CPH060XXX3BXJXBA
M12 - CPH060XXX3BXXXBA
M13 - CPH060XXX4BXJXBA
M14 - CPH060XXX4BXXXBA
M15 - CPH060XXX7BXJXBA
M16 - CPH060XXX7BXXXBA
M17 - CPH072XXX3BXJXBA
M18 - CPH072XXX3BXXXBA
M19 - CPH072XXX4BXJXBA
M20 - CPH072XXX4BXXXBA
M21 - CPH072XXX7BXJXBA
M22 - CPH072XXX7BXXXBA

Partition Assy

Image 1

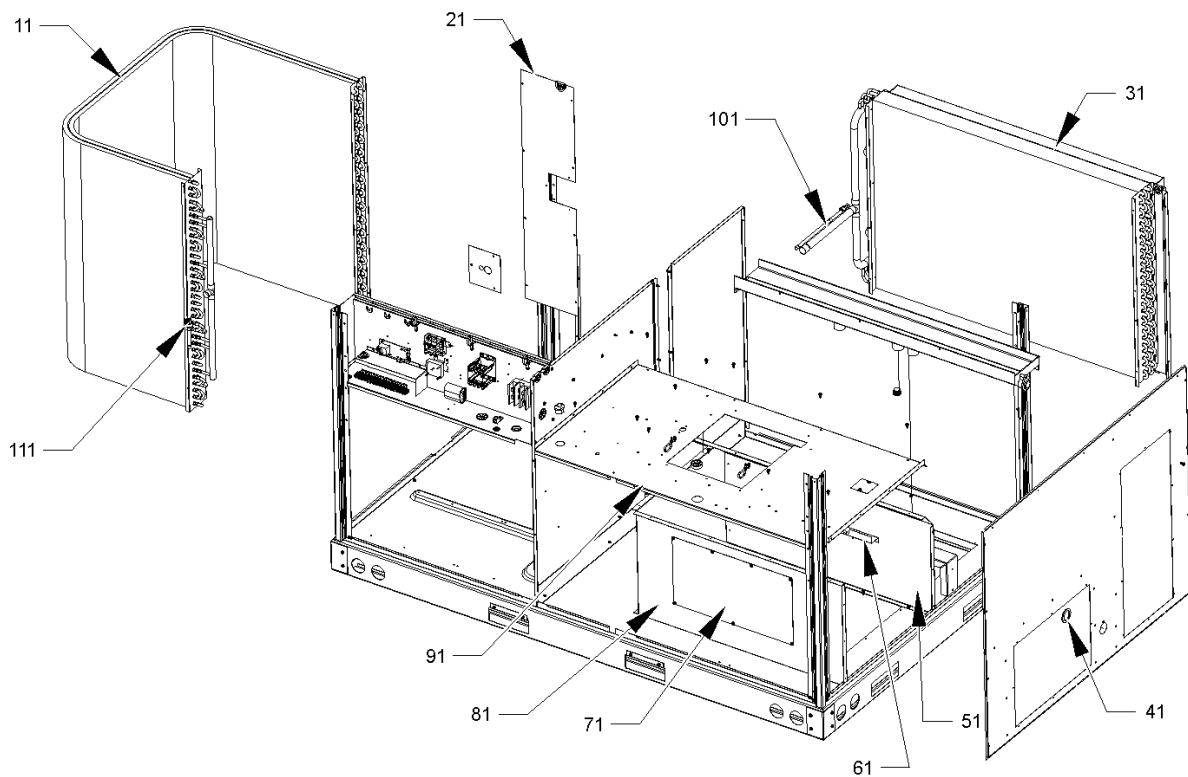
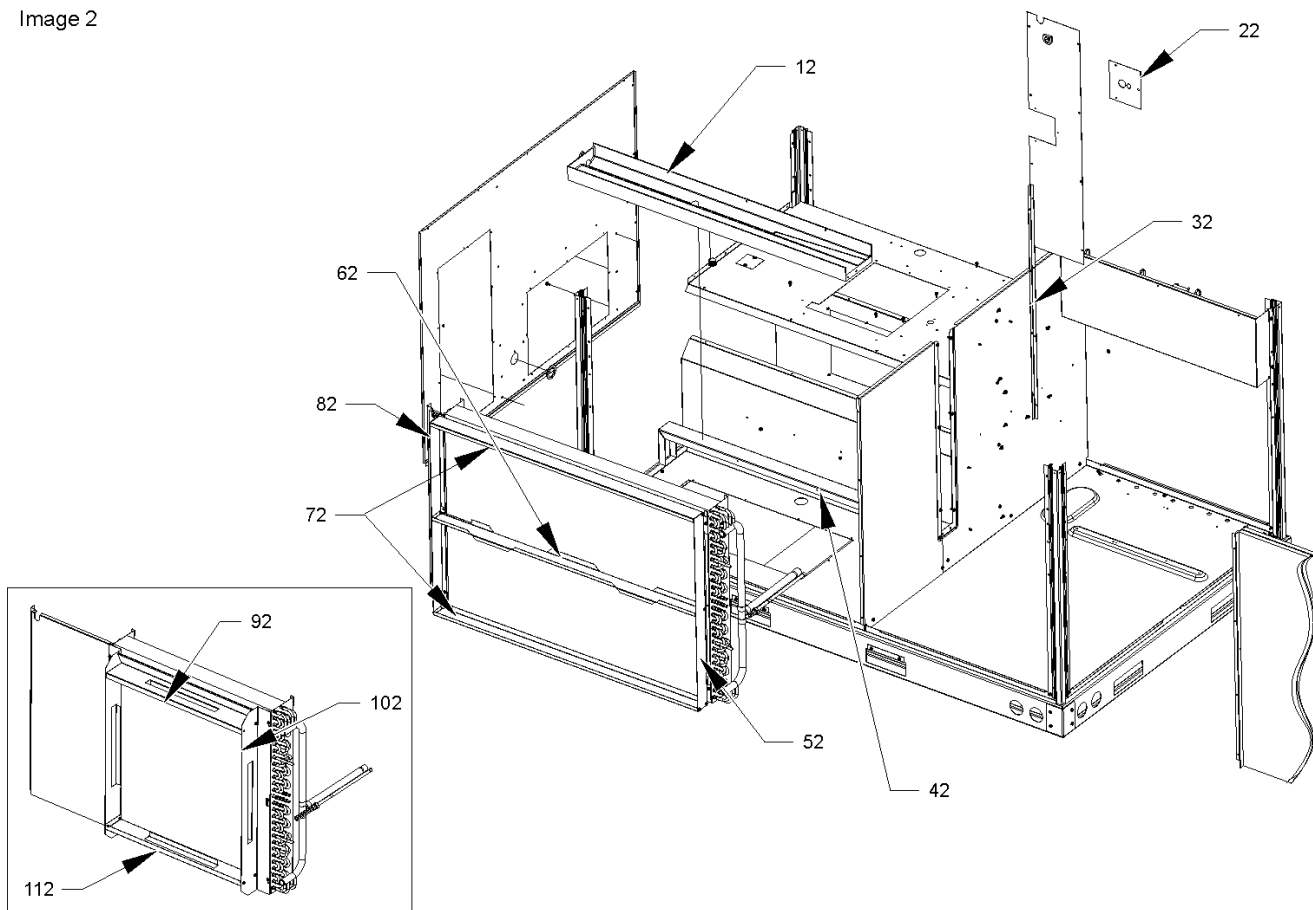


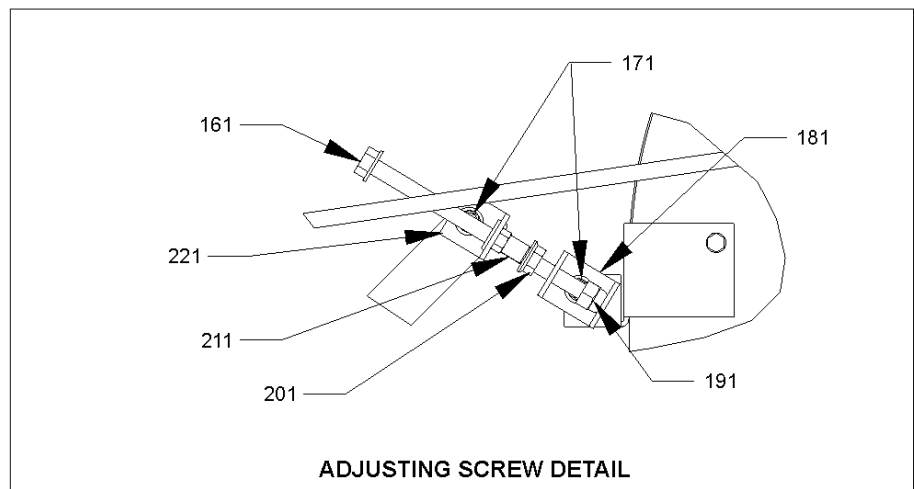
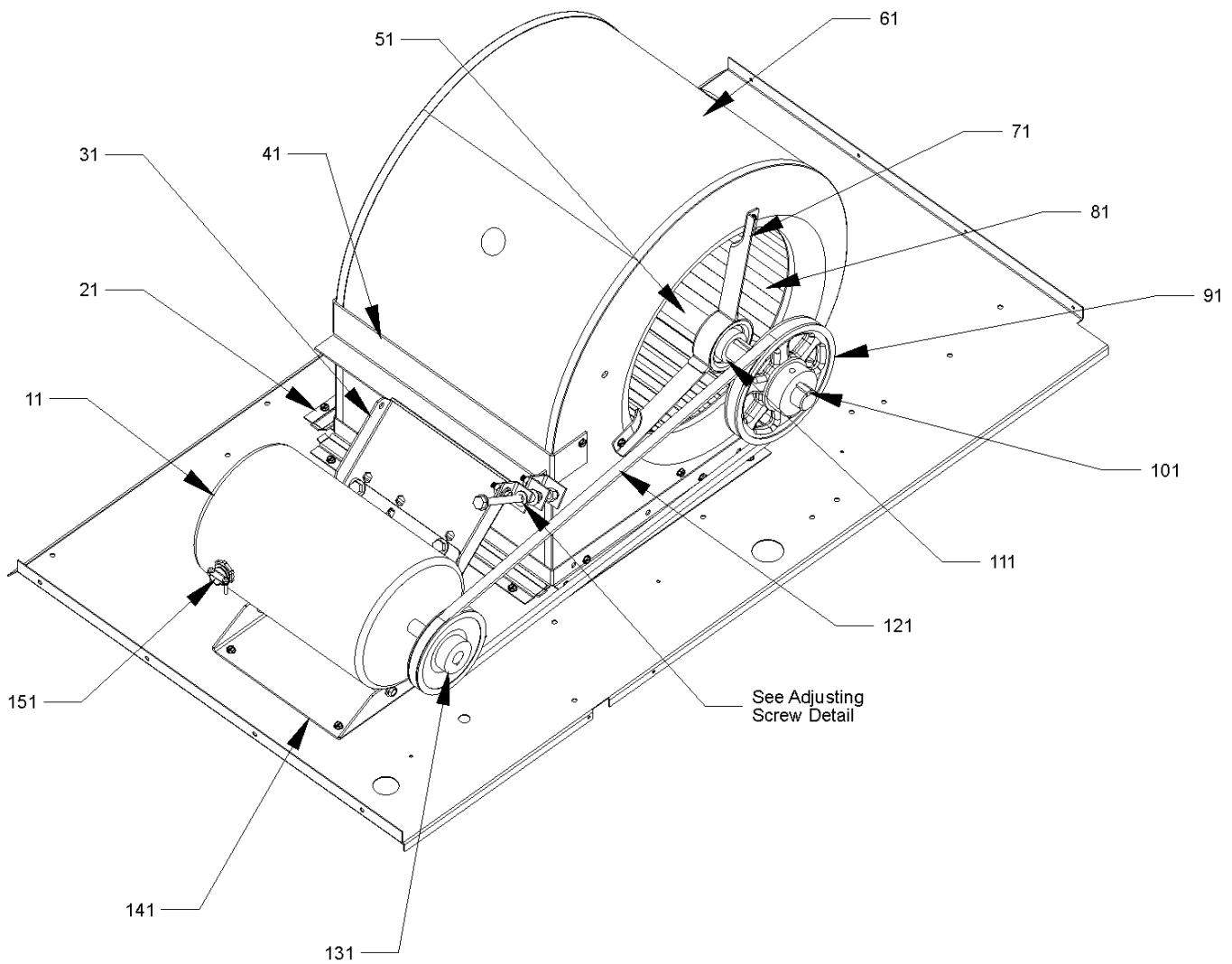
Image 2



Partition Assy

Ref. Part No:	No:	Description:	Ref. Part No:	No:	Description:																						
<i>Image 1:</i>			<i>Image 2:</i>																								
11	0201L00038S	TUBING ASSY, COND COIL (M2, M4)	52	0121L00357	FILTER ANGLE-VERTICAL (RETURN SIDE) (M17, M18, M19, M20, M21, M22)																						
11	0201L00039S	TUBING ASSY, COND COIL (M12, M14, M16)	62	0121L00298	FILTER ANGLE-HORIZONTAL (CENTER) (M5, M6, M7, M8, M9, M10, M11, M12, M13, M14, M15, M16, M17, M18, M19, M20, M21, M22)																						
11	0201L00040S	TUBING ASSY, COND COIL (M6, M8, M10)	72	0121L00286	FILTER ANGLE-HORIZONTAL (M5, M6, M7, M8, M9, M10, M11, M12, M13, M14, M15, M16, M17, M18, M19, M20, M21, M22)																						
11	0201L00043S	TUBING ASSY, COND COIL (M11, M13, M15)	82	0121L00303	FILTER ANGLE-VERTICAL (HAIRPIN SIDE) (M5, M6, M7, M8, M9, M10, M11, M12, M13, M14, M15, M16)																						
11	0201L00044S	TUBING ASSY, COND COIL (M5, M7, M9)	82	0121L00358	FILTER ANGLE-VERTICAL (HAIRPIN SIDE) (M17, M18, M19, M20, M21, M22)																						
11	0201L00047S	TUBING ASSY, COND COIL (M1, M3)	92	0121L00290	FILTER ANGLE-TOP (M1, M2, M3, M4)																						
11	0201L00053	TUBING ASSY, COND COIL (M18, M20, M22)	102	0121L00292	FILTER ANGLE-VERTICAL (M1, M2, M3, M4)																						
11	0201L00055	TUBING ASSY, COND COIL (M17, M19, M21)	112	0121L00291	FILTER ANGLE-BOTTOM (M1, M2, M3, M4)																						
21	0121L00311	COND BLOCK-OFF (M1, M2, M3, M4, M5, M6, M7, M8, M9, M10, M11, M12, M13, M14, M15, M16)	NS	B1369608	AIR FILTER 20 X 16 X 2 (M17, M18, M19, M20, M21, M22)																						
21	0121L00348	COND BLOCK-OFF (M17, M18, M19, M20, M21, M22)	NS	0160L00008	FILTER 14 X 20 X 2 (M5, M6, M7, M8, M9, M10, M11, M12, M13, M14, M15, M16)																						
31	0202L00020S	TUBING ASSY, EVAP COIL (M11, M12, M13, M14, M15, M16)	NS	0160L00046	FILTER 24 X 24 (M1, M2, M3, M4)																						
31	0202L00026S	TUBING ASSY, EVAP COIL (M1, M2, M3, M4)	Expanded Model Nomenclature																								
31	0202L00029S	TUBING ASSY, EVAP COIL (M5, M6, M7, M8, M9, M10)	<table border="1"> <tr><td>M1 - CPH036XXX3BXJXBA</td></tr> <tr><td>M2 - CPH036XXX3BXXXBA</td></tr> <tr><td>M3 - CPH036XXX4BXJXBA</td></tr> <tr><td>M4 - CPH036XXX4BXXXBA</td></tr> <tr><td>M5 - CPH048XXX3BXJXBA</td></tr> <tr><td>M6 - CPH048XXX3BXXXBA</td></tr> <tr><td>M7 - CPH048XXX4BXJXBA</td></tr> <tr><td>M8 - CPH048XXX4BXXXBA</td></tr> <tr><td>M9 - CPH048XXX7BXJXBA</td></tr> <tr><td>M10 - CPH048XXX7BXXXBA</td></tr> <tr><td>M11 - CPH060XXX3BXJXBA</td></tr> <tr><td>M12 - CPH060XXX3BXXXBA</td></tr> <tr><td>M13 - CPH060XXX4BXJXBA</td></tr> <tr><td>M14 - CPH060XXX4BXXXBA</td></tr> <tr><td>M15 - CPH060XXX7BXJXBA</td></tr> <tr><td>M16 - CPH060XXX7BXXXBA</td></tr> <tr><td>M17 - CPH072XXX3BXJXBA</td></tr> <tr><td>M18 - CPH072XXX3BXXXBA</td></tr> <tr><td>M19 - CPH072XXX4BXJXBA</td></tr> <tr><td>M20 - CPH072XXX4BXXXBA</td></tr> <tr><td>M21 - CPH072XXX7BXJXBA</td></tr> <tr><td>M22 - CPH072XXX7BXXXBA</td></tr> </table>			M1 - CPH036XXX3BXJXBA	M2 - CPH036XXX3BXXXBA	M3 - CPH036XXX4BXJXBA	M4 - CPH036XXX4BXXXBA	M5 - CPH048XXX3BXJXBA	M6 - CPH048XXX3BXXXBA	M7 - CPH048XXX4BXJXBA	M8 - CPH048XXX4BXXXBA	M9 - CPH048XXX7BXJXBA	M10 - CPH048XXX7BXXXBA	M11 - CPH060XXX3BXJXBA	M12 - CPH060XXX3BXXXBA	M13 - CPH060XXX4BXJXBA	M14 - CPH060XXX4BXXXBA	M15 - CPH060XXX7BXJXBA	M16 - CPH060XXX7BXXXBA	M17 - CPH072XXX3BXJXBA	M18 - CPH072XXX3BXXXBA	M19 - CPH072XXX4BXJXBA	M20 - CPH072XXX4BXXXBA	M21 - CPH072XXX7BXJXBA	M22 - CPH072XXX7BXXXBA
M1 - CPH036XXX3BXJXBA																											
M2 - CPH036XXX3BXXXBA																											
M3 - CPH036XXX4BXJXBA																											
M4 - CPH036XXX4BXXXBA																											
M5 - CPH048XXX3BXJXBA																											
M6 - CPH048XXX3BXXXBA																											
M7 - CPH048XXX4BXJXBA																											
M8 - CPH048XXX4BXXXBA																											
M9 - CPH048XXX7BXJXBA																											
M10 - CPH048XXX7BXXXBA																											
M11 - CPH060XXX3BXJXBA																											
M12 - CPH060XXX3BXXXBA																											
M13 - CPH060XXX4BXJXBA																											
M14 - CPH060XXX4BXXXBA																											
M15 - CPH060XXX7BXJXBA																											
M16 - CPH060XXX7BXXXBA																											
M17 - CPH072XXX3BXJXBA																											
M18 - CPH072XXX3BXXXBA																											
M19 - CPH072XXX4BXJXBA																											
M20 - CPH072XXX4BXXXBA																											
M21 - CPH072XXX7BXJXBA																											
M22 - CPH072XXX7BXXXBA																											
31	0202L00032	TUBING ASSY, EVAP COIL (M17, M18, M19, M20, M21, M22)																									
41	0154L00009	DRAIN PAN GASKET (M1, M2, M3, M4, M5, M6, M7, M8, M9, M10, M11, M12, M13, M14, M15, M16)																									
51	0121L00243	DECK SIDE CHANNEL																									
61	0121L00288	ELECTRIC HEAT RETAINER																									
71	0121L00144	ELECTRIC HEAT COVER																									
81	0121L00256	ELECTRIC HEAT PANEL																									
91	0121L00242	BLOWER DECK																									
101	0162L00012S	FLOWRATOR (M11, M12, M13, M14, M15, M16)																									
101	0162M00097S	FLOWRATOR (M1, M2, M3, M4)																									
101	0162M00108	FLOWRATOR .076 (M5, M6, M7, M8, M9, M10)																									
101	0162M00121	FLOWRATOR [EVAP] (M17, M18, M19, M20, M21, M22)																									
111	0162M00096	FLOWRATOR (M1, M2, M3, M4)																									
111	0162M00106	FLOWRATOR .057 (M5, M6, M7, M8, M9, M10)																									
111	0162M00060	FLOWRATOR .065 (M11, M12, M13, M14, M15, M16)																									
111	0162M00120	FLOWRATOR .080 [COND] (M17, M18, M19, M20, M21, M22)																									
NS	0130M00056	DEFROST CONTROL (M1, M2, M3, M4, M5, M6, M7, M8, M9, M10, M11, M12, M13, M14, M15, M16)																									
<i>Image 2:</i>																											
12	0161L00005	DRAIN PAN																									
22	0121L00324	COND BLOCK-OFF PLATE																									
32	0121L00254	COND MOUNTING ANGLE (M1, M2, M3, M4, M5, M6, M7, M8, M9, M10, M11, M12, M13, M14, M15, M16)																									
32	0121L00349	COND MOUNTING ANGLE (M17, M18, M19, M20, M21, M22)																									
42	0121L00238	DRAIN PAN SUPPORT																									
52	0121L00287	FILTER ANGLE-VERTICAL (RETURN SIDE) (M5, M6, M7, M8, M9, M10, M11, M12, M13, M14, M15, M16)																									

Belt Drive Assy



Belt Drive Assy

**Ref. Part
No: No:**

Description:

**Ref. Part
No: No:**

Description:

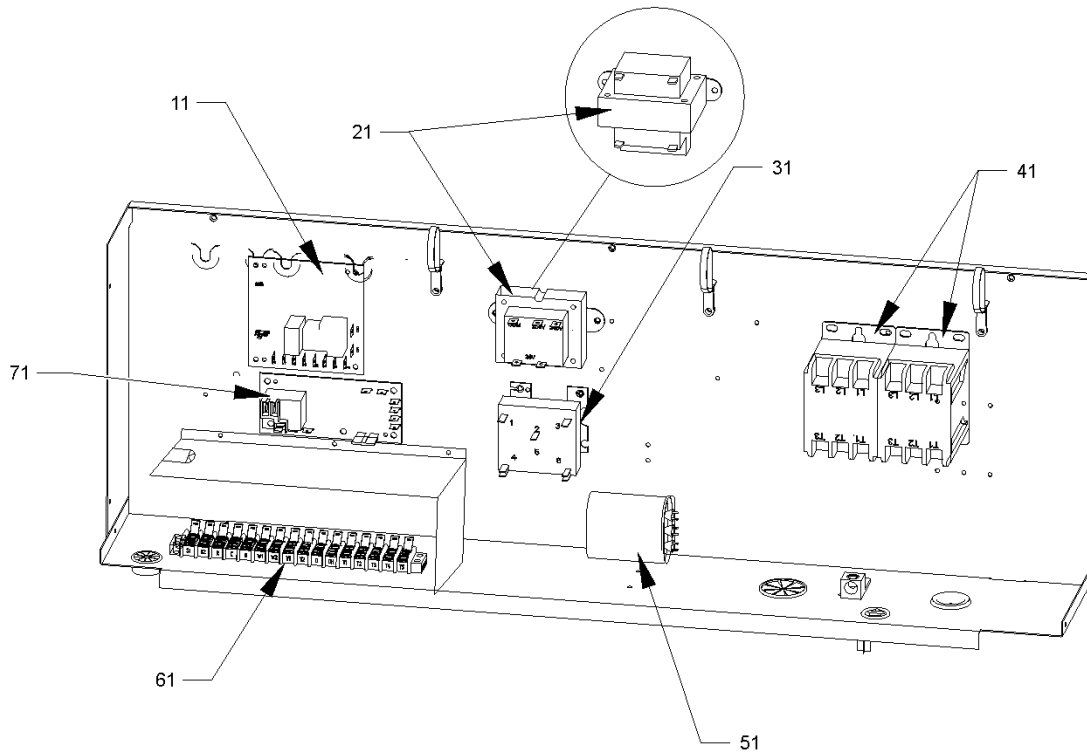
Image 1:

11	B3240007	BELT DRIVE MOTOR (230/460)/60/3P (M17, M18, M19, M20)
11	0131L00003S	BELT DRIVE MOTOR 1 HP (M1, M2, M3, M4, M5, M6, M7, M8, M11, M12, M13, M14)
11	0131L00004S	BELT DRIVE MOTOR 1.5 HP 575V (M9, M10, M15, M16, M21, M22)
21	0121L00297	BLOWER SIDE ANGLE (QTY 3)
31	0121L00271	MOTOR MOUNT PLATE
41	0121L00272	MOTOR MOUNT ANGLE
51	0163L00005	BELT DRIVE BLOWER SHAFT
61	2539302FS	BLOWER HOUSING 11 X 10
71	B3201300	MOUNTING BRACKET BEARING (QTY 2)
81	B1368056	BELT DRIVE BLOWER WHEEL
91	B2120011	FIXED SHEAVE (M1, M2, M3, M4)
91	0163L00031	FIXED SHEAVE AK59 (M17, M18, M19, M20, M21, M22)
91	B3204303	FIXED SHEAVE AK61 (M11, M12, M13, M14, M15, M16)
91	B3204310	FIXED SHEAVE AK66 (M5, M6, M7, M8, M9, M10)
101	B1398604	STEEL KEY (000158812) 2.0"
111	B1399500	BALL BEARING 1.00" (QTY 2)
121	0164L00003	FAN BELT, NOTCHED
131	0163L00024	VARIABLE PITCH SHEAVE 1VL40 X 5/8" (M1, M2, M3, M4)
131	B2120001	VARIABLE PITCH SHEAVE 1VL44 X 3/8" (M5, M6, M7, M8, M9, M10, M11, M12, M13, M14, M15, M16)
131	B2120014	VARIABLE PITCH SHEAVE 1VL44 X 7/8" (M17, M18, M19, M20, M21, M22)
141	0121L00273	MOTOR PIVOT ANGLE
151	B1393726	ELECT. CONNECTING BUSHING
161	0163M00054	BOLT
171	B1393738	BOLT 1/4-20 X 3/4" (QTY 4)
181	0121L00274	MOTOR ADJUST BRACKET
191	0163M00055	ACORN NUT 5/16 X 18
201	B1393020	FLANGED LOCKNUT 5/16-18TPI
211	B1393027	HEX NUT INSERT 5/16-18 (QTY 5)
221	0121L00275	MOUNTING BRACKET INSERT
NS	1864700F	BELT DRIVE BLOWER CUT-OFF
NS	B1398603	STEEL KEY (000158812) 4.5"

Expanded Model Nomenclature

M1 - CPH036XXX3BXJXBA
M2 - CPH036XXX3BXXXBA
M3 - CPH036XXX4BXJXBA
M4 - CPH036XXX4BXXXBA
M5 - CPH048XXX3BXJXBA
M6 - CPH048XXX3BXXXBA
M7 - CPH048XXX4BXJXBA
M8 - CPH048XXX4BXXXBA
M9 - CPH048XXX7BXJXBA
M10 - CPH048XXX7BXXXBA
M11 - CPH060XXX3BXJXBA
M12 - CPH060XXX3BXXXBA
M13 - CPH060XXX4BXJXBA
M14 - CPH060XXX4BXXXBA
M15 - CPH060XXX7BXJXBA
M16 - CPH060XXX7BXXXBA
M17 - CPH072XXX3BXJXBA
M18 - CPH072XXX3BXXXBA
M19 - CPH072XXX4BXJXBA
M20 - CPH072XXX4BXXXBA
M21 - CPH072XXX7BXJXBA
M22 - CPH072XXX7BXXXBA

Control Box Assy



Control Box Assy

Ref. Part

No: No:

Description:

Ref. Part

No: No:

Description:

Image 1:

11	PCBDM101S	DEFROST CONTROL BOARD
21	B1141643	TRANSFORMER 208/230, 24V (M1, M2, M5, M6, M11, M12, M17, M18)
21	B1141672	TRANSFORMER 480V, 75VA, RESETTABLE (M3, M4, M7, M8, M13, M14, M19, M20)
21	0130M00045S	TRANSFORMER 575/24V (M9, M10, M15, M16, M21, M22)
31	0130M00025S	24V RELAY (M3, M4, M7, M8, M9, M10, M13, M14, M15, M16, M19, M20, M21, M22)
41	CONT3P025024VS	CONTACTOR 25 AMP, 3P, 24V (M3, M4, M7, M8, M9, M10, M13, M14, M15, M16, M19, M20, M21, M22)
41	CONT3P030024VS	CONTACTOR 30 AMP, 3P, 24V (M1, M2, M5, M6, M11, M12, M17, M18)
51	CAP050000370VAS	CAPACITOR 5/370V
61	0130M00038S	TERMINAL BOARD
71	PCBFM103S	BOARD, ELECTRONIC BLOWER TIME DELAY RELAY
NS	20520901	CAPACITOR STRAP
NS	0259L00076	CONTROL HARNESS
NS	0259L00077	DEFROST HARNESS (M1, M2, M5, M6, M11, M12, M17, M18)
NS	0259L00078	DEFROST HARNESS (M3, M4, M7, M8, M9, M10, M13, M14, M15, M16, M19, M20, M21, M22)
NS	0259L00057	WIRING HARNESS
NS	0259L00061	WIRING HARNESS
NS	0259L00065	WIRING HARNESS (M1, M2, M3, M4, M5, M6, M7, M8, M9, M10, M11, M12, M13, M14, M15, M16)
NS	0259L00070	WIRING HARNESS (M1, M2, M5, M6, M9, M10, M11, M12, M15, M16, M17, M18, M21, M22)
NS	0259L00071	WIRING HARNESS (M3, M4, M7, M8, M13, M14, M19, M20)
NS	0259L00094	WIRING HARNESS (M17, M18, M19, M20, M21, M22)

Expanded Model Nomenclature

M1 - CPH036XXX3BXJXBA
M2 - CPH036XXX3BXXXBA
M3 - CPH036XXX4BXJXBA
M4 - CPH036XXX4BXXXBA
M5 - CPH048XXX3BXJXBA
M6 - CPH048XXX3BXXXBA
M7 - CPH048XXX4BXJXBA
M8 - CPH048XXX4BXXXBA
M9 - CPH048XXX7BXJXBA
M10 - CPH048XXX7BXXXBA
M11 - CPH060XXX3BXJXBA
M12 - CPH060XXX3BXXXBA
M13 - CPH060XXX4BXJXBA
M14 - CPH060XXX4BXXXBA
M15 - CPH060XXX7BXJXBA
M16 - CPH060XXX7BXXXBA
M17 - CPH072XXX3BXJXBA
M18 - CPH072XXX3BXXXBA
M19 - CPH072XXX4BXJXBA
M20 - CPH072XXX4BXXXBA
M21 - CPH072XXX7BXJXBA
M22 - CPH072XXX7BXXXBA

