



APW 5400

40" Wide Industrial LCD monitor

User Manual

APW 5400: 40-inch wide screen industrial panel mount monitor



APW 5400

40" Wide Industrial LCD monitor

Table of Contents

CHAPTER 1 Introduction

1-1	Important Safeguards.....	1
1-2	Before Installation.....	2
1-3	Unpacking.....	2
1-4	Optional Accessories.....	2

CHAPTER 2 Front Aluminum LCD Panel

2-1	Package Contents.....	3
2-2	Structure Diagram.....	4
2-3	Mounting Method.....	5

CHAPTER 3 Connection

3-1	On-Screen Display Operation.....	7
3-2	On-Screen Menu.....	9

CHAPTER 4 Operation

4-1	LCD Specifications.....	11
-----	-------------------------	----

CHAPTER 5 TV Tuner Options

5-1	AV/BNC Options.....	13
-----	---------------------	----

CHAPTER 6 Quad Display Options

6-1	Specifications.....	15
-----	---------------------	----

CHAPTER 7 Troubleshooting.....16

CHAPTER 8 Cleaning the LCD Display

8-1	Cleaning the Remote controller.....	17
-----	-------------------------------------	----



APW 5400

40" Wide Industrial LCD monitor

CHAPTER 1 INTRODUCTION

1-1 Important Safeguards

Please read all of these instructions carefully before you use the device. Save this manual for future reference.

What the warranty does not cover:

- Any product, on which the serial number has been defaced, modified or removed.
- Damage, deterioration or malfunction resulting from:
 - Accident, misuse, neglect, fire, water, lightning, or other acts of nature, unauthorized product modification, or failure to follow instructions supplied with the product.
 - Repair or attempted repair by anyone not authorized by us.
 - Any damage of the product due to shipment.
 - Removal or installation of the product.
 - Causes external to the product, such as electric power fluctuation or failure.
 - Use of supplies or parts not meeting our specifications.
 - Normal wear and tear.
 - Any other causes which does not relate to a product defect.
- Removal, installation, and set-up service charges.

APW 5400

40" Wide Industrial LCD monitor

1-2 Before Installation

- It is very important to locate the LCD Display in a suitable environment.
- The surface for placing and fixing the LCD Display should be stable.
- Make sure the place has good ventilation, is out of direct sunlight, away from sources of excessive dust, dirt, heat, water, moisture and vibration.
- Convenience for connecting the LCD Display to the related facilities should be well considers too.

1-3 Unpacking

The LCD Display comes with the standard parts shown on the package contents. Check and make sure they are included and in good condition. If anything is missing, or damage, contact the supplier immediately.

1-4 Optional Accessories

1. Power Cord

1.1 IEC power cord

1.2 NEMA 5-15 power cord (US)

1.3 BS 1363 power cord (UK)

1.4 CEE 7/4 power cord (German)

1.5 AS 3112 power cord (Australia)

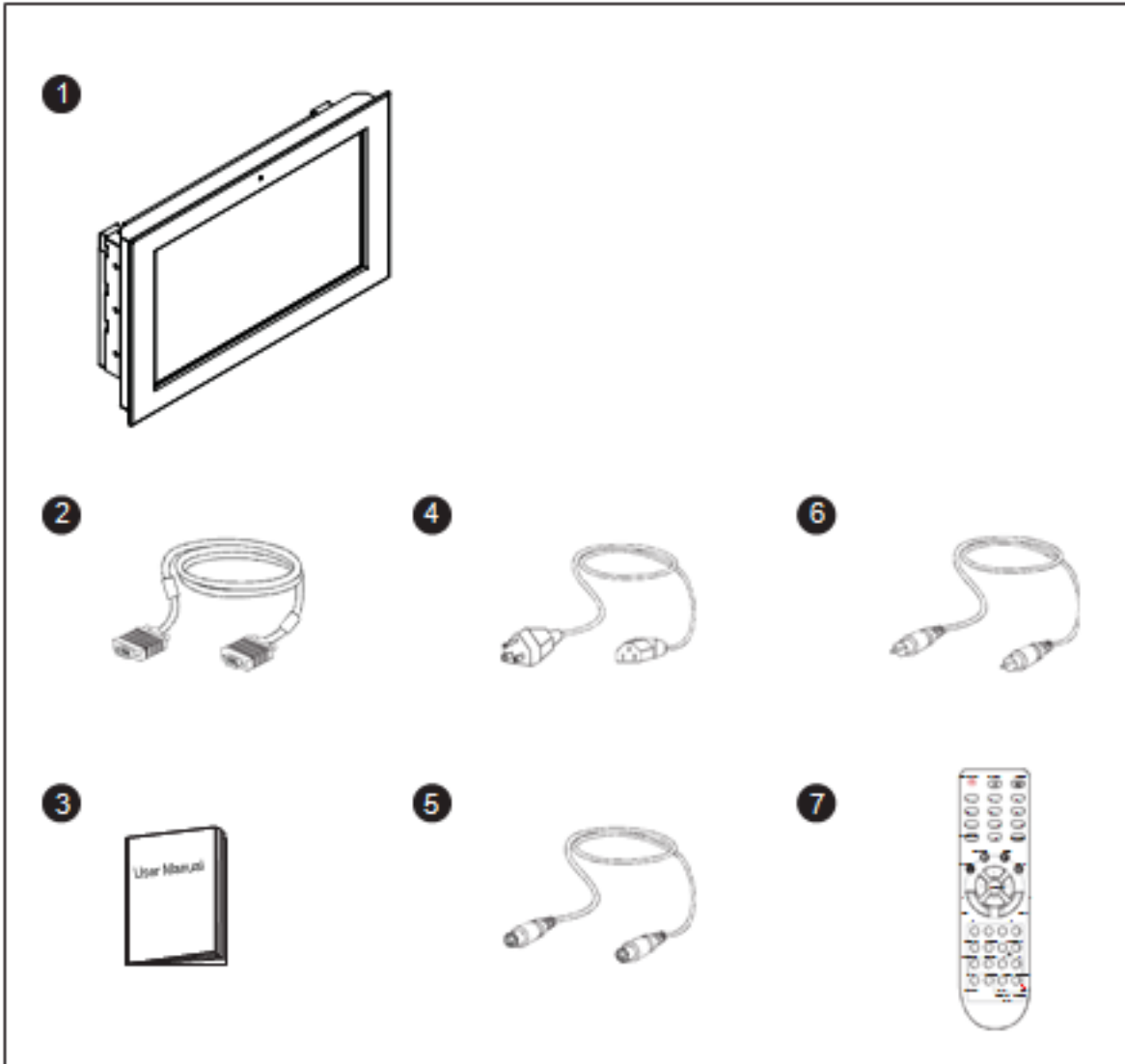


APW 5400

40" Wide Industrial LCD monitor

CHAPTER 2 FRONT ALUMINUM LCD PANEL

2-1 Package Contents



1. LCD Display x 1 pc
2. 6" VGA Cable (male to male) x 1 pc
3. User Manual x 1 pc
4. Power Cord x 1 pc

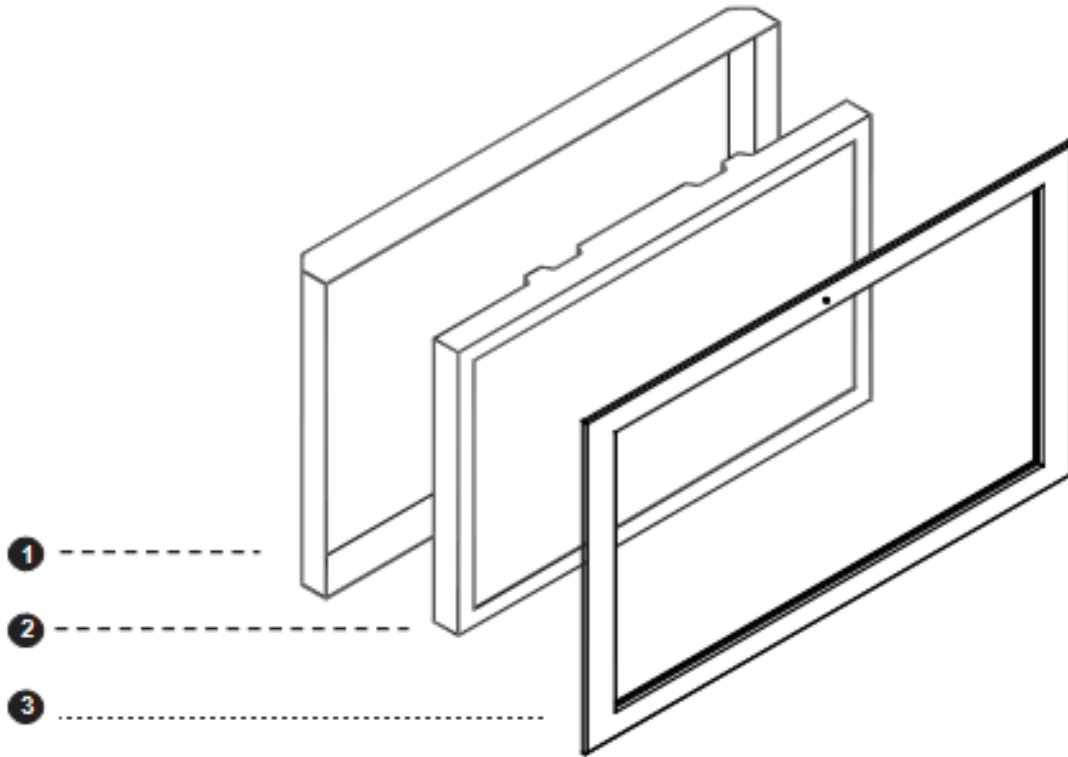
5. S-Video cable x 1 pc
6. RCA cable x 1 pc
7. Remote Controller x 1 pc

** Remarks: Wall mounting set is already installed on the back of the LCD panel

APW 5400

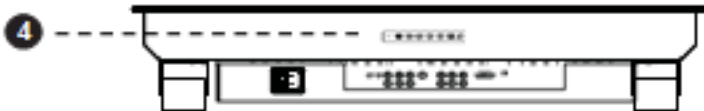
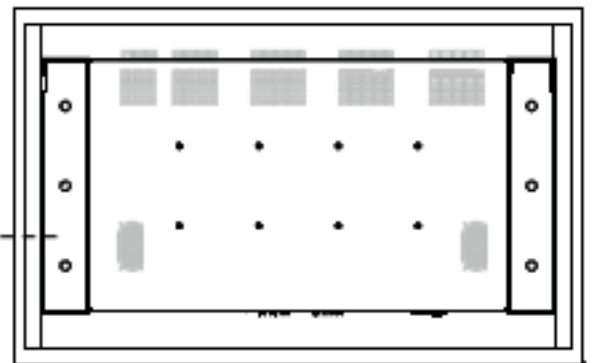
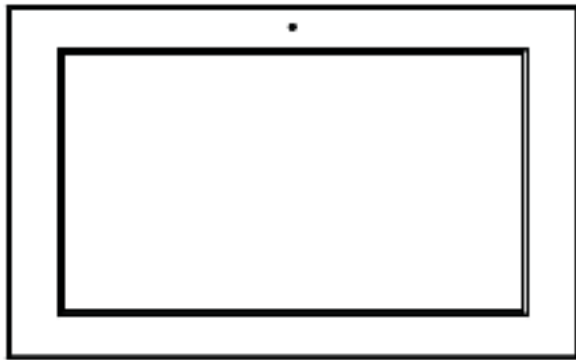
40" Wide Industrial LCD monitor

2-2 Structure Diagram

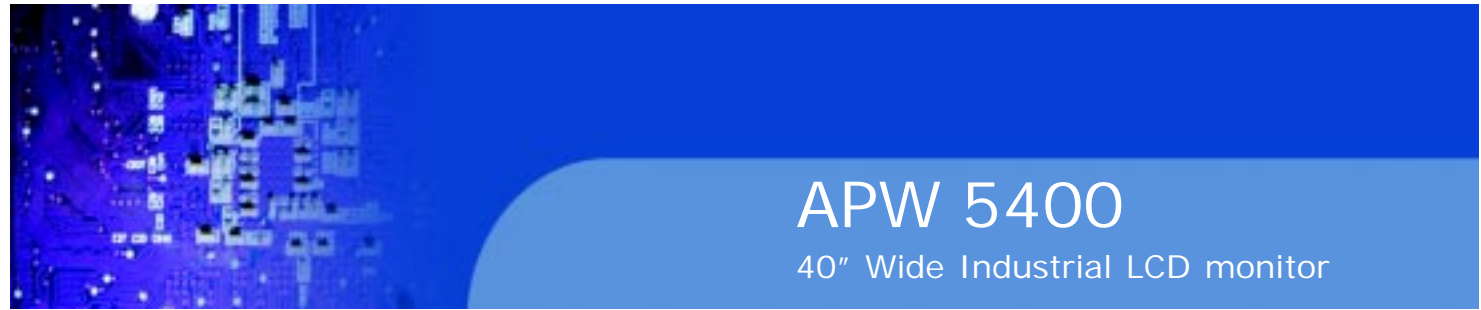


Front View

Rear View

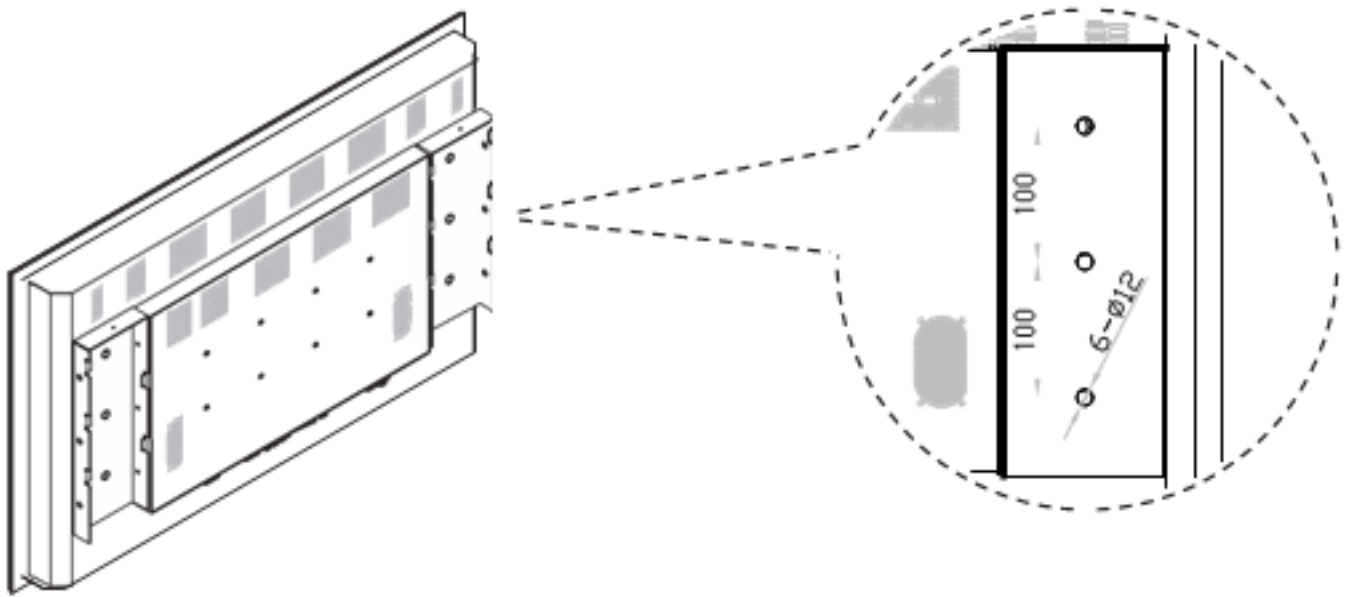


1. Rear Case
2. SAMSUNG class A TFT LCD Panel
3. 6mm Aluminum front Bezel
4. LCD Membrane
5. Wall-mount bracket



2-3 Mounting Method

Wall Mounting

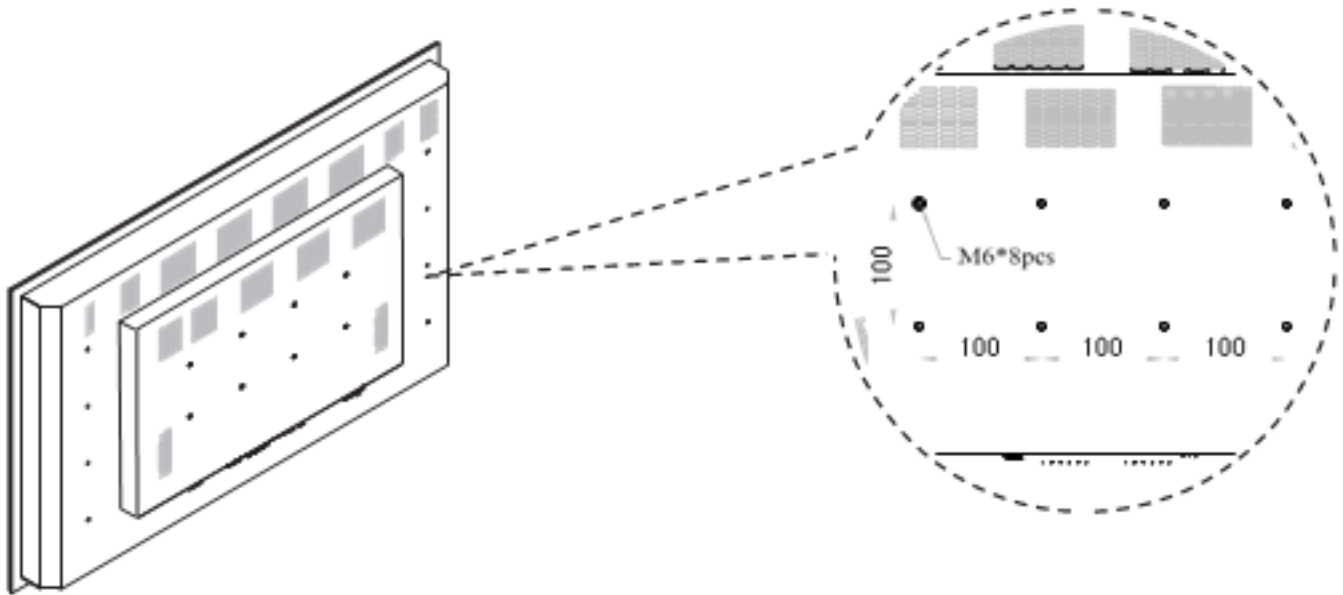


** Remarks: Wall mounting set is already installed on the back of the LCD panel.

APW 5400

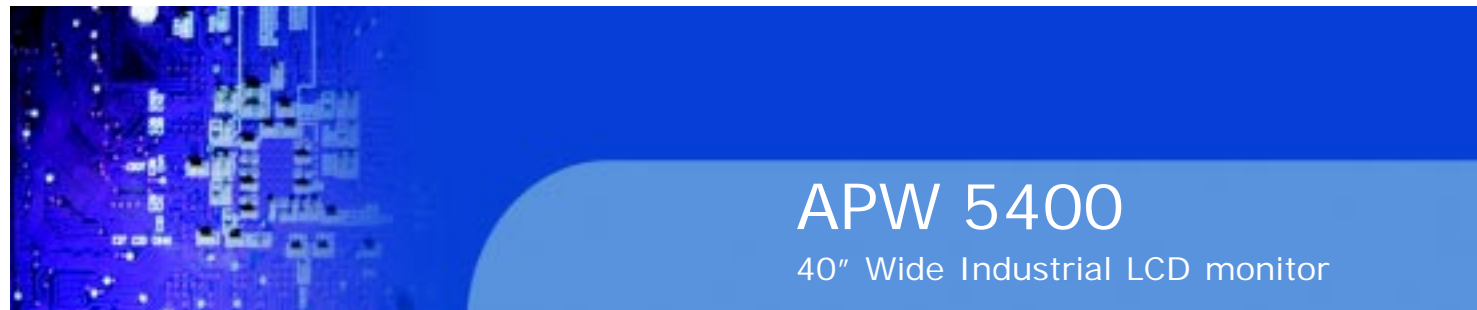
40" Wide Industrial LCD monitor

100mm VESA Standard:



** Remarks:

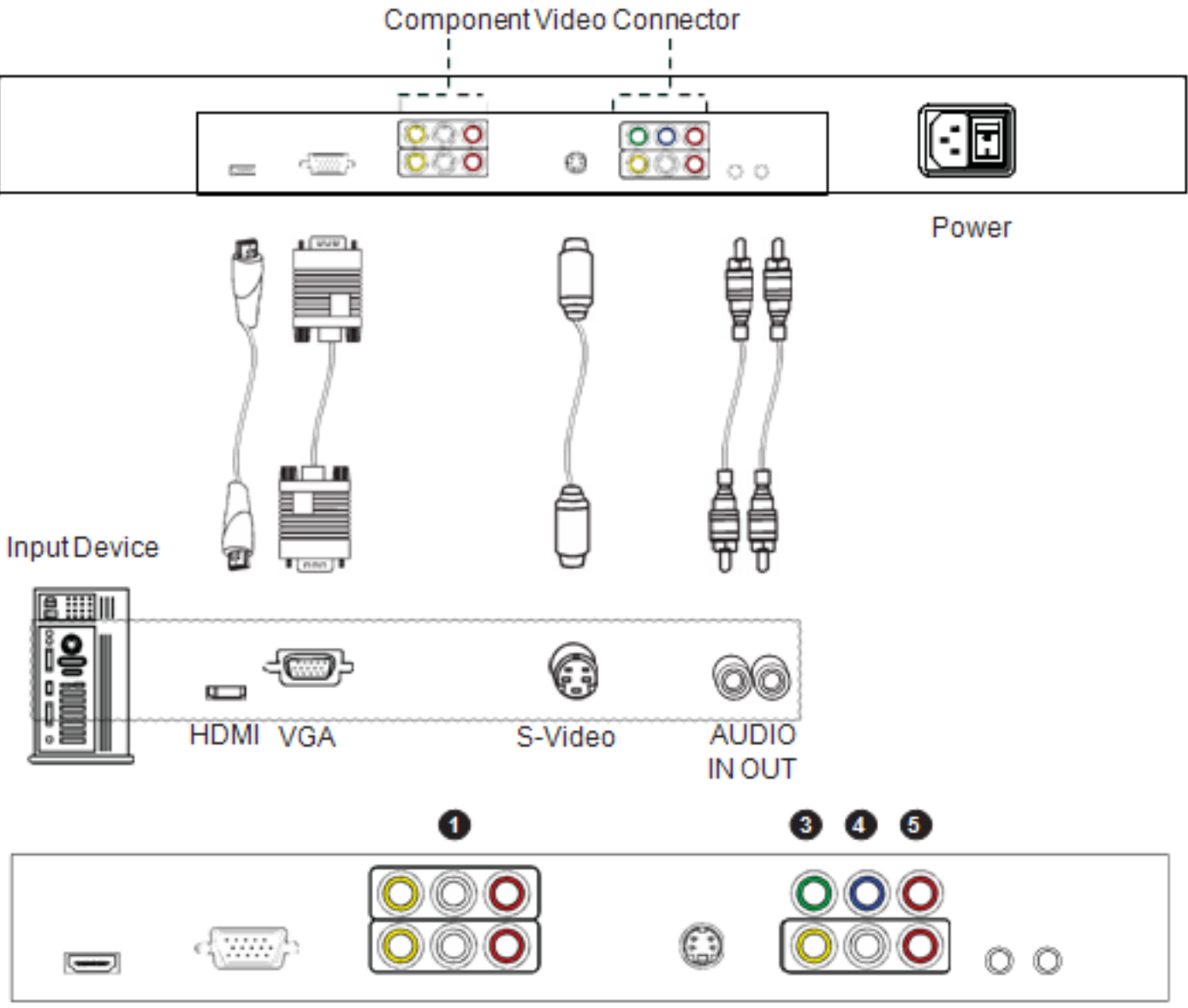
- Hardware and M6*8pcs for VESA mounting is not provided
- To avoid damage of internal components, when mounting the VESA bracket, do not use screws that exceed the depth (6mm) of the display mounting holes. Using screws that are too long may cause damage to your display.



APW 5400

40" Wide Industrial LCD monitor

CHAPTER 3 CONNECTION



- 1. Video out
- 2. Video 1
- 3. Y
- 4. Pb
- 5. Pr
- 6. Video 2

APW 5400

40" Wide Industrial LCD monitor



Caution : The LCD Display are hot-pluggable, but components of connected devices may not be hot-pluggable. Plugging and unplugging cables while connected devices are powered on may cause irreversible damage of the devices and LCD Display. Before attempting to connect anything to the LCD Display, we suggest that turn off power to all devices before connecting them. Apply power to connected devices again only after the LCD Display receiving power. The company is not responsible for damage caused in this way.

3-1 On-Screen Display Operation



LCD membrane



Membrane Switch

Function



Power light
Green = On
Orange = Power saving




Power on / off LCD



Display the OSD menu



Scrolls through menu options and adjusts the displayed control
(To auto adjustment by pressing the button  for 5 seconds)



Exit the OSD screen
Toggle analog, digital & video connection (DVI-D and video options only)

ACNODES

661 Brea Canyon Rd., Suite 3
Walnut, CA 91789
tel: 909.598.7388, fax: 909.598.0218

© Copyright 2011 Acnodes, Inc.
All rights reserved. Product description and product specifications are subject to change without notice. For latest product information, please visit Acnodes' web site at www.acnodes.com.

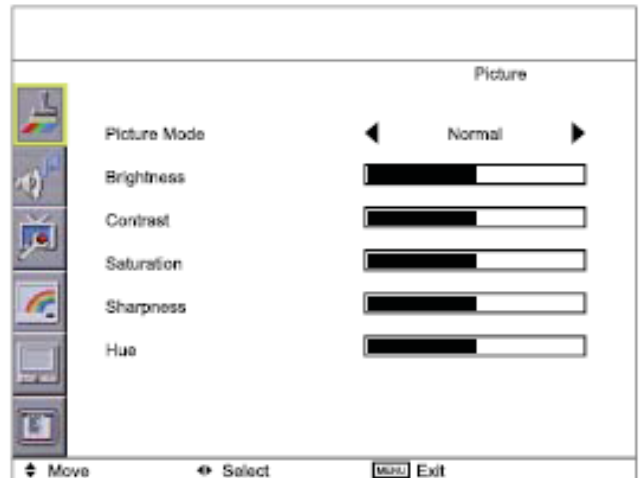
APW 5400

40" Wide Industrial LCD monitor

3-2 On-Screen Menu

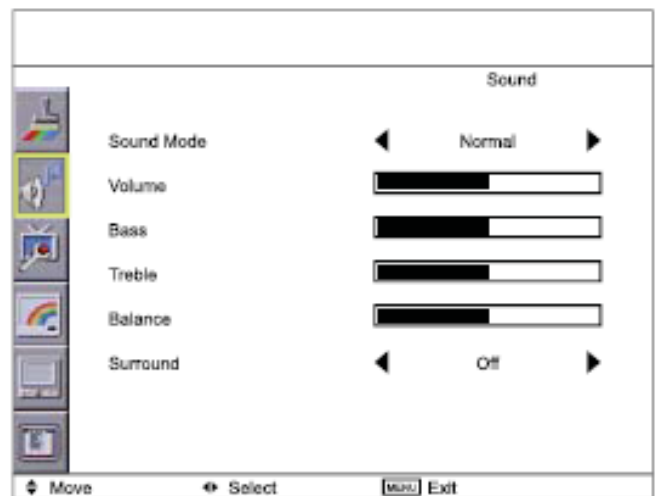
1. Picture:

- Picture Mode: Normal / Soft / Vivid / User mode to choose
- Brightness: Adjust background black level of the screen image
- Contrast: Adjust the difference between the image background (black level) and the foreground (white level)
- Saturation: Adjust the saturation of the image color
- Sharpness: Adjust the image from weak to sharp
- Hue: Adjust the screen hue value



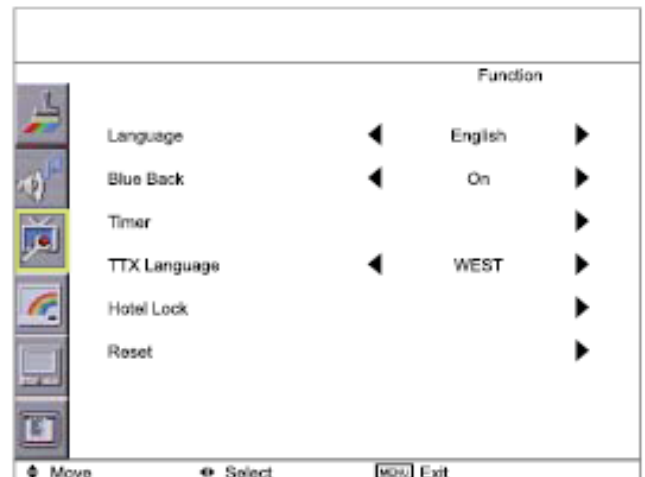
2. Sound:

- Sound Mode: Movie / User / Normal / News mode to choose
- Volume: Adjust the volume of sound
- Bass: To set the value of bass sound
- Treble: To set the value of treble sound
- Balance: To set the balance value of treble and bass sound
- Surround: Turn on or Turn off the surround sound



3. Function:

- Language: Select the language in which the OSD menu is displayed - English
- Timer: To set the current time / off time & on time
- TTX Language: RUSSIAN, ARABIC, FARSI, WEST, EAST can be choose
- Hotel Lock: Default password : 0000; To enter into the Hotel Mode, Volume Control, Tuner Control, Max Volume, Change Password, Source Lock, Child Lock, Prog. Set & Prog. Num Submenu
- Reset: Recall returns the adjustments back to factory settings.

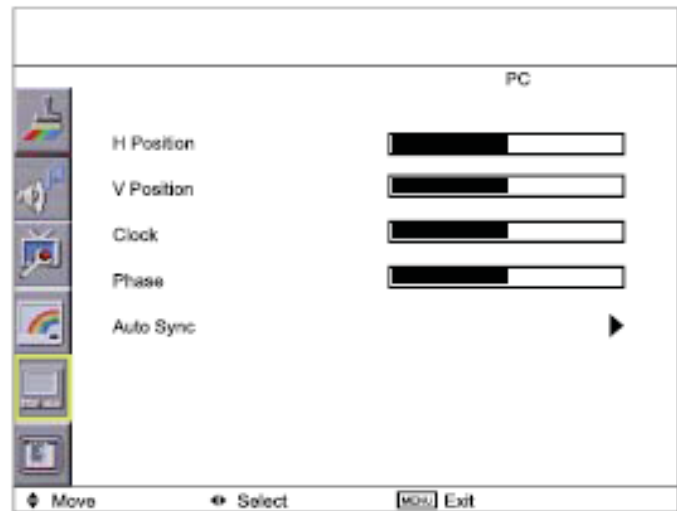


APW 5400

40" Wide Industrial LCD monitor

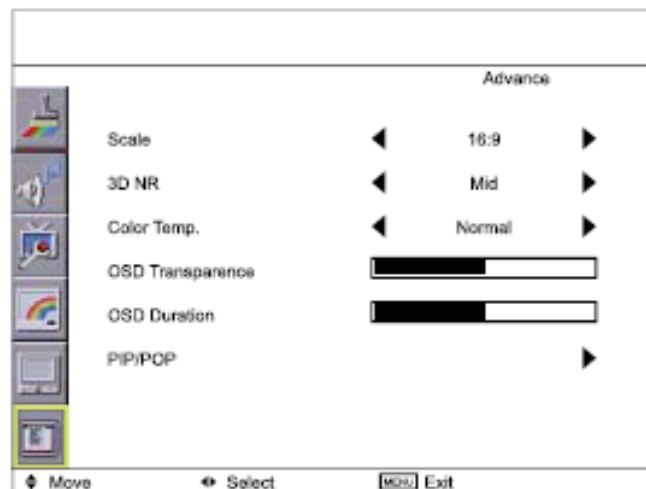
4. PC:

- H. Position: Align the screen image left or right
- V. Position: Align the screen image up or down
- Clock : Adjust the clock value
- Phase: Adjust the phase value
- Auto Sync: Adjust automatically sizes, centers, and fine tunes the video signal to eliminate waviness and distortion.



5. Advance:

- Scale: Select the scale - 16:9 or 4:3
- 3D NR: Low / Mid / High / Off mode to choose
- Color Temp.: Normal / Cool / Warm / User to choose
- OSD Transparence: Set the value of ODS Transparence
- OSD Duration: To set the time that menu will be display
- PIP / POP: To adjust picture in picture & picture on picture setting, to enter into the scale, Sub Source, PIP Size, PIP Position, Sound Source & Swap




APW 5400

40" Wide Industrial LCD monitor

CHAPTER 4 OPERATION

4-1 LCD Specifications

Item	Description
LCD Manufacturer	
Diagonal Size	Wide 40" TFT
Max. Resolution	1920 x 1080
Brightness (cd/m ²)	450
Color Support	16.7 M
Contrast Ratio (typ.)	4000:1
Viewing Angle (H/V)	178° x 178°
Display Area (mm)	886 x 498
Response Time (ms)	Tg= 8 (Tr+ Tf)
LCD Panel MTBF (hrs)	50,000
Display Input Signal	Analog RGB
Connector	DB-15 connector
Power Input	Auto-sensing 100 to 240VAC, 50 / 60Hz
Power Consumption	Max. 200 Watt, Standby 20 Watt
Compatibility	Multi-platform - Mix PCs, SUNs, IBMs, HPs & DELLs.

Options

TV	
----	--

Environmental

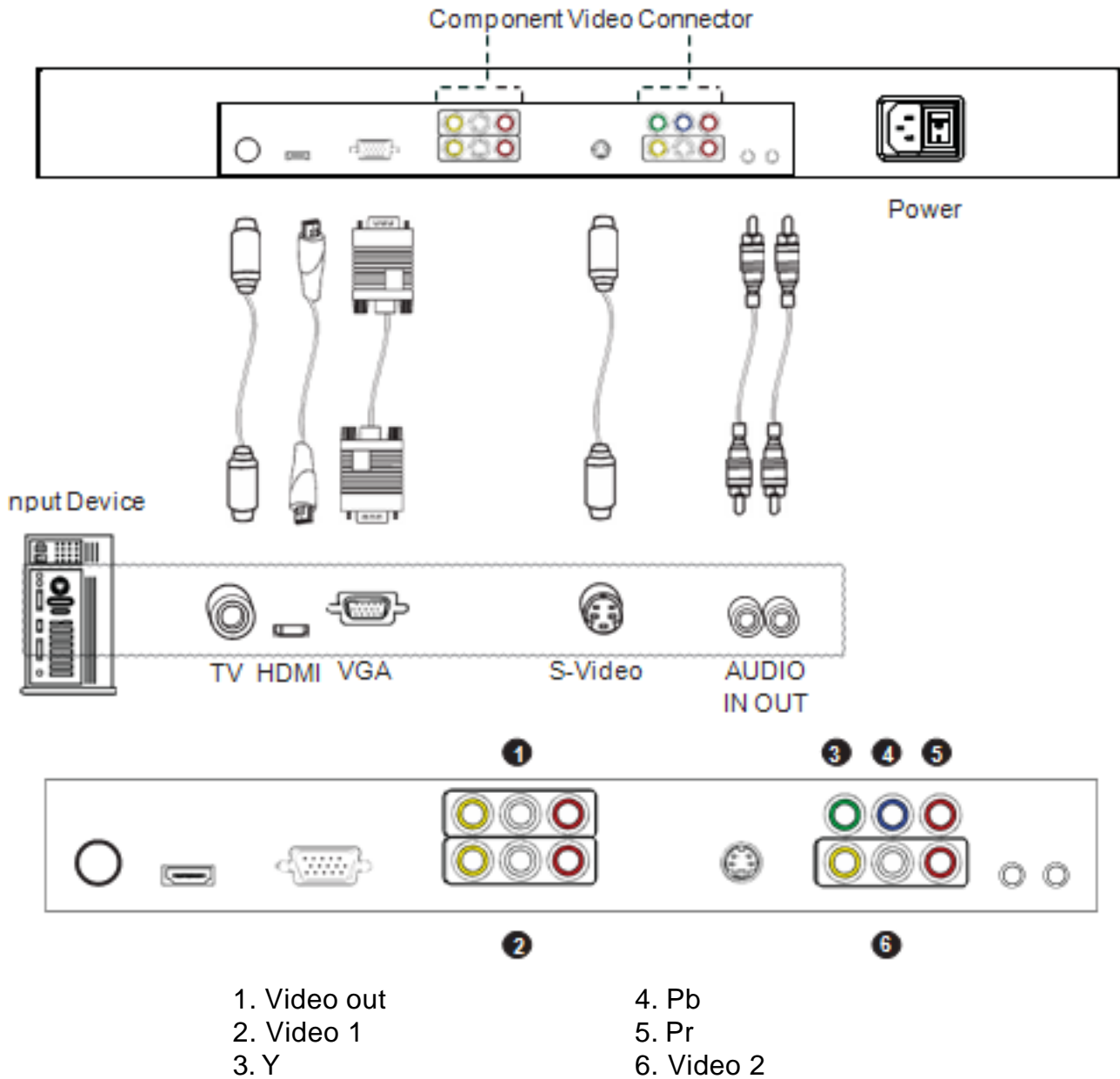
Operation	0° to 50°C Degree
Storage	-5° to 60°C Degree
Relative Humidity	5~90%, non-condensing
Shock	10G acceleration (11ms duration)
Vibration	5~500Hz 1G RMS random vibration

APW 5400

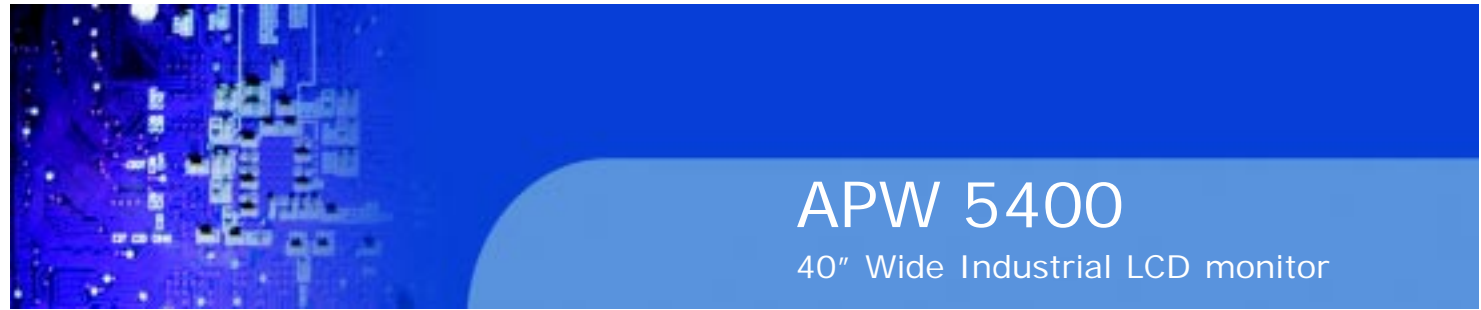
40" Wide Industrial LCD monitor

CHAPTER 5 TV TUNER OPTIONS

5-1 TV Tuner Options



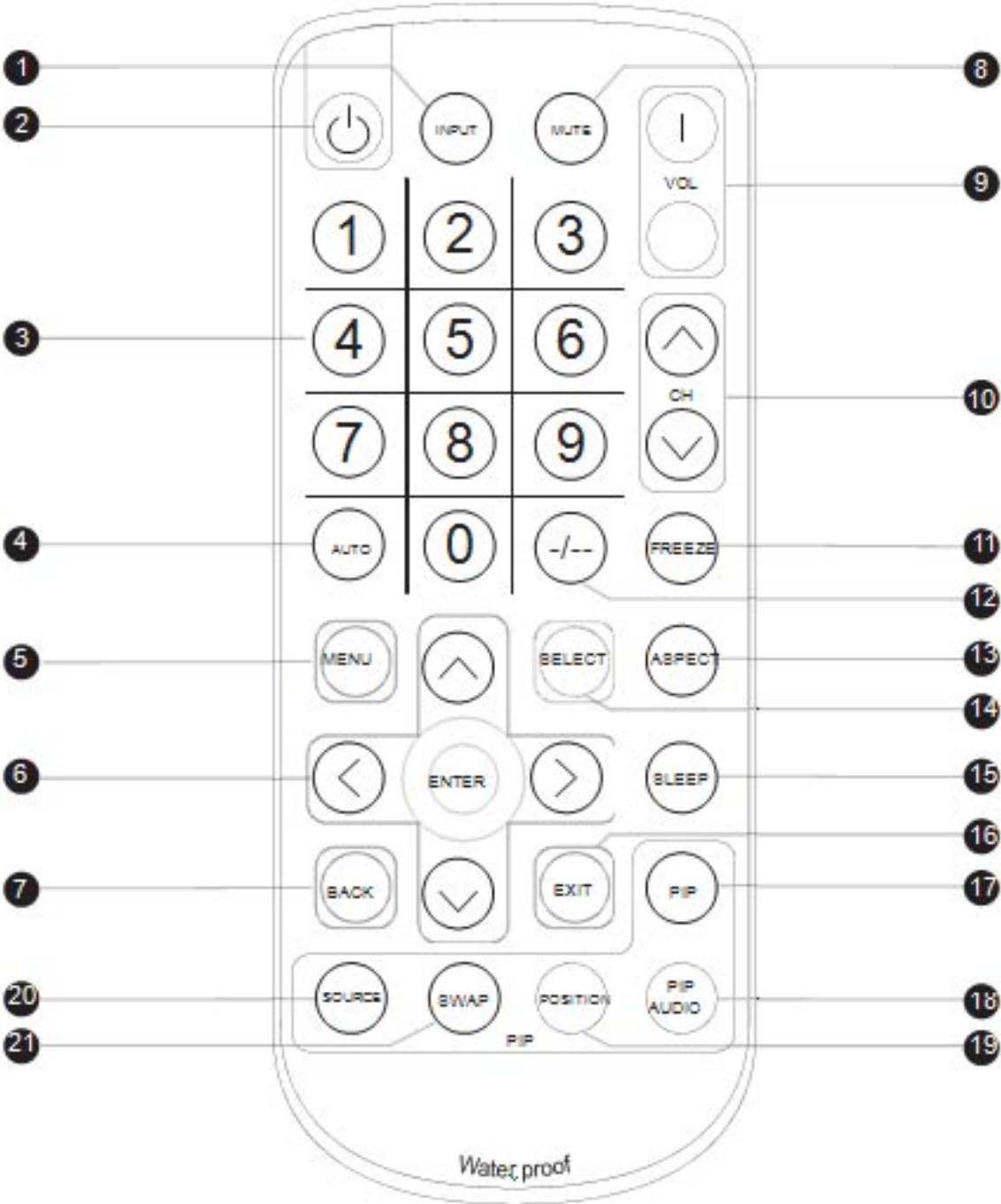
** Remarks: Package includes a remote controller



APW 5400

40" Wide Industrial LCD monitor

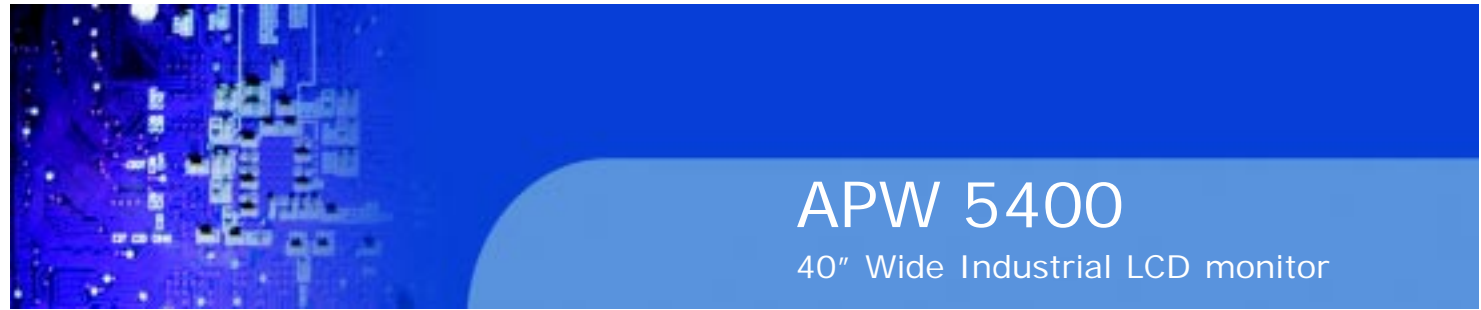
5-2 How to Use Remote Controller



APW 5400

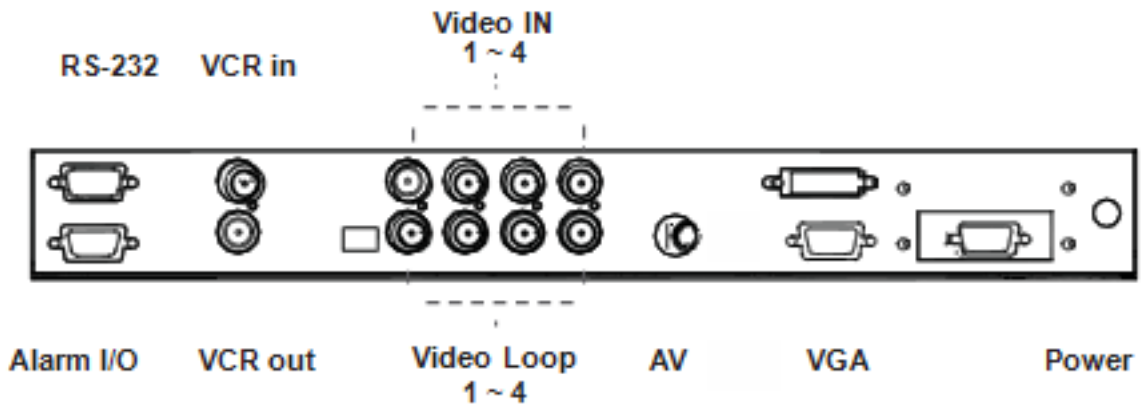
40" Wide Industrial LCD monitor

①	INPUT	Select the source
②	⏻	Switches on or off the TV
③	0 - 9	Only use in TV mode. Select channels. For channel numbers 10 and above, enter the second digit within two seconds.
④	AUTO	Auto adjust
⑤	MENU	Display the menu on the screen or go to the previous menu
⑥	▲ / ▼ / ◀ / ▶ / ENTER	Go to the upper menu or select the previous value / Go to the next menu or select the next value / Decrease the setting value / Increase the setting value or enter to the select item setting Enter to the select item settings or exclude the setting
⑦	BACK	Back to previous value
⑧	MUTE	Turn on or off the speaker
⑨	Vol +/-	Increase or decrease the speaker volume
⑩	CH +/-	For TV model only, increase or decrease the channel number
⑪	FREEZE	Reserve for OEM model
⑫	- / -	For setting input single or double digits
⑬	ASPECT	Adjust the screen size
⑭	SELECT	To select the existing item
⑮	SLEEP	Select the sleeping time
⑯	EXIT	Exit the menu or cancel
PIP functions		
⑰	PIP	Picture in picture
⑱	PIP AUDIO	To set the audio of in PIP mode
⑲	POSITION	To set the screen position in PIP mode
⑳	SOURCE	PIP Source
㉑	SWAP	Swap screen in PIP mode



CHAPTER 6 QUAD DISPLAY OPTIONS

10-1 Specifications



APW 5400

40" Wide Industrial LCD monitor

Item		Description
Model Number		QD (NTSC) QD (PAL)
Number of Color		16.7 M 16.7 M
Imaging System		NTSC PAL
Resolution		1024 x 525 1024 x 625
Refresh Rate		60 50
Video Input	Camera Input	1.0 Vpp, 75 Ohm x 4
	VCR Input	1.0 Vpp, 75 Ohm x 1
Video Output	Live Monitor	1.0 Vpp, 75 Ohm x 1
	Loop Through Out	1.0 Vpp, 75 Ohm x 4
	VCR Output	1.0 Vpp, 75 Ohm x 1
Auto Gain Control		Yes
Time / Date		Yes
On Screen Display		Yes
Camera Title		8 Character Title
Display Format	2 x Zoom On Playback	Yes
	QUAD	Yes
	FULL	Yes
	SEQUENCY	Yes
Dwell Time		0 to 99 Sec Adjustable
Built-in Buzzer		Yes
Key Lock		Yes

** Remarks:

- For more details, please refer to Quad Display User Manual



APW 5400

40" Wide Industrial LCD monitor

CHAPTER 7 TROUBLESHOOTING

1. The membrane power light is not ON

- Press the power On / Off on LCD membrane to check if the monitor is in the ON mode.
- Check the power cord is properly connected to the LCD display and power outlet.

2. Power does not turn ON

- Check whether the power plug is securely inserted into the receptable.

3. No picture are displayed

- Check cables for disconnection.
- Check whether the power for all inout equipment is ON.
- Check for connection to wrong terminals or for wrong input mode.

4. Remote controller does not function properly

- Check for incorrect battery orientation.
- Check for dead batteries.
- Check whether you are pointing the remote control transmitter properly at the display's receiver.
- Check for any obstacle between the remote and the display.

5. There are spots on the screen

- Check whether your AV equipment is affected by interference from automobiles, trains, high-voltage transmission lines, neon signs or other potential sources of interference.

6. Degraded colors/tints

- Check whether all picture adjustments have been properly made.

7. Improper screen position/size

- Check whether screen position and size have been properly adjusted.

The image shows a blue banner with a circuit board pattern on the left. On the right, the text 'APW 5400' is written in a large, white, sans-serif font. Below it, in a smaller white font, is '40" Wide Industrial LCD monitor'.

APW 5400

40" Wide Industrial LCD monitor

CHAPTER 8 CLEANING THE LCD DISPLAY

You may need the following precautions before you begin to clean the LCD display, please read and understand the details below fully.

1. Make sure the monitor is turned off
2. Never spray or pour any liquid onto the screen directly
3. To remove dust and other particles, wipe the screen with a clean, soft, lint-free cloth.
4. Be cautious of all kinds of cleaning solvents or chemicals, some individuals may be harmful to the LCD display.
5. If the LCD display is still not clean enough, apply a small amount of non-ammonia, non-alcohol based glass cleaner onto a clean, soft, lint-free cloth, and wipe the screen.
6. Don't use water or oil on the monitor directly.

8-1 Cleaning the Remote Controller

1. Use a soft cloth for cleaning
2. If it is heavily stained, soak a soft cloth in a mixture of water and detergent and squeeze it dry before wiping off the stains.
3. Use a soft, dry cloth for final cleaning.