



USER'S GUIDE

V:0650-1120-09



BI300B

Portable Boom Box with Dock for iPod

For the most up-to-date version of this User's Guide, go to www.gpx.com

WARNINGS AND PRECAUTIONS

- **CAUTION:** TO PREVENT ELECTRIC SHOCK, MATCH WIDE BLADE OF PLUG TO WIDE SLOT, FULLY INSERT.
- **WARNING:** To reduce the risk of fire or electric shock, do not expose this apparatus to rain or moisture.
- **AVERTISSEMENT:** Pour réduire le risque d'incendie ou de choc électrique, ne pas exposer cet appareil sous la pluie et l'humidité.
- **CAUTION:** Use of controls or adjustments or performance of procedures other than those specified may result in hazardous radiation exposure.
- **WARNING:** Changes or modifications to this unit not expressly approved by the party responsible for compliance could void the user's authority to operate the equipment.
- **WARNING:** Do not place the unit on top of any soft, porous, or sensitive surfaces to avoid damaging the surface. Use a protective barrier between the unit and surface to protect the surface.
- **WARNING:** Use of this unit near fluorescent lighting may cause interference regarding use of the remote. If the unit is displaying erratic behavior move away from any fluorescent lighting, as it may be the cause.
- **CAUTION:** Danger of explosion if battery is incorrectly replaced. Replace only with the same or equivalent type.
- **PRÉCAUTION:** *Danger d'explosion si les piles sont remplacées de façon incorrecte. Remplacer les piles seulement par le même type de pile ou l'équivalent.*
- **WARNING:** There is a danger of explosion if you attempt to charge standard Alkaline batteries in the unit. Only use rechargeable NiMH batteries.
- **WARNING:** The remote control's button cell battery contains mercury. Do not put in the trash, instead recycle or dispose of as hazardous waste.
- **WARNING:** Lithium batteries, like all rechargeable batteries are recyclable and should be recycled or disposed of in normal household waste. Contact your local government for disposal or recycling practices in your area. They should never be incinerated since they might explode.

Main plug is used as disconnect device and it should remain readily operable during intended use.

Do not mix old and new batteries.

Do not mix alkaline, standard (carbon-zinc), or rechargeable (ni-cad, ni-mh, etc) batteries.

No mezcle baterias viejas y nuevas.

No mezcle baterias alcalinas, estándar (carbone-zinc) o recargables (ni-cad, ni-mh, etc.).

CAUTION
RISK OF ELECTRIC SHOCK
DO NOT OPEN

WARNING: TO REDUCE THE RISK OF ELECTRIC SHOCK, DO NOT REMOVE COVER (OR BACK). NO USER-SERVICEABLE PARTS INSIDE. REFER SERVICING TO QUALIFIED SERVICE PERSONNEL.



The lightning flash with arrowhead symbol, within an equilateral triangle, is intended to alert the user to the presence of uninsulated "dangerous voltage" within the product's enclosure that may be of sufficient magnitude to constitute a risk of electric shock to persons.



The exclamation point within an equilateral triangle is intended to alert the user to the presence of important operating and maintenance (servicing) instructions in the literature accompanying the appliance.



This product utilizes a Class 1 laser to read Compact Discs. This Laser Compact Disc Player is equipped with safety switches to avoid exposure when the CD door is open and the safety interlocks are defeated. Invisible laser radiation is present when the CD Player's lid is open and the system's interlock has failed or been defeated. It is very important that you avoid direct exposure to the laser beam at all times. Please do not attempt to defeat or bypass the safety switches.

IMPORTANT SAFETY INSTRUCTIONS

1. Read these Instructions.
2. Keep these Instructions.
3. Heed all Warnings.
4. Follow all instructions.
5. Do not use this apparatus near water.
6. Clean only with a dry cloth.
7. Do not block any ventilation openings. Install in accordance with the manufacturer's instructions.
8. Do not install near any heat sources such as radiators, heat registers, stoves, or other apparatus (including amplifiers) that produce heat.
9. Do not defeat the safety purpose of the polarized or grounding - type plug. A polarized plug has two blades with one wider than the other. A grounding type plug has two blades and a third grounding prong. The wide blade or the third prong are provided for your safety. When the provided plug does not fit into your outlet, consult an electrician for replacement of the obsolete outlet.
10. Protect the power cord from being walked on or pinched particularly at plugs, convenience receptacles, and the point where they exit from the apparatus.
11. Only use attachments/accessories specified by the manufacturer.
12. Use only with a cart, stand, tripod, bracket, or table specified by the manufacturer, or sold with the apparatus. When a cart is used, use caution when moving the cart/apparatus combination to avoid injury from tip-over.
13. Unplug this apparatus during lightning storms or when unused for long periods of time.
14. Refer all servicing to qualified service personnel. Servicing is required when the apparatus has been damaged in any way, such as power-supply cord or plug is damaged, liquid has been spilled or objects have fallen into the apparatus, the apparatus has been exposed to rain or moisture, does not operate normally, or has been dropped.



FCC Warnings

NOTE: This equipment has been tested and found to comply with the limits for a Class B digital device, pursuant to Part 15 of the FCC Rules. These limits are designed to provide reasonable protection against harmful interference in a residential installation. This equipment generates, uses, and can radiate radio frequency energy and, if not installed and used in accordance with the instructions, may cause harmful interference to radio communications. However, there is no guarantee that interference will not occur in a particular installation. If this equipment does cause harmful interference to radio or television reception, which can be determined by turning the equipment off and on, the user is encouraged to try to correct the interference by one or more of the following measures:

- Reorient or relocate the receiving antenna.
- Increase the separation between the equipment and receiver.
- Connect the equipment into an outlet on a circuit different from that to which the receiver is connected.
- Consult the dealer or an experienced radio/TV technician for help.

Additional Warnings

- The apparatus shall not be exposed to dripping or splashing and that no objects filled with liquids, such as vases, shall be placed on apparatus.

L'appareil ne doit pas être exposé aux écoulements ou aux éclaboussures et aucun objet ne contenant de liquide, tel qu'un vase, ne doit être placé sur l'objet.

- Main plug is used as disconnect device and it should remain readily operable during intended use. In order to disconnect the apparatus from the mains completely, the mains plug should be disconnected from the mains socket outlet completely.

La prise du secteur ne doit pas être obstruée ou doit être facilement accessible pendant son utilisation. Pour être complètement déconnecté de l'alimentation d'entrée, la prise doit être débranchée du secteur.

- Battery shall not be exposed to excessive heat such as sunshine, fire or the like.

Les piles ne doivent pas être exposées à de forte chaleur, tel qu'à la lumière du soleil, au feu ou autres choses de semblable.

- Caution marking is located at the bottom of the apparatus.

Les marquages sont inscrits en bas de l'appareil.

- The marking information is located at the rear of apparatus.

Les précautions d'emploi sont inscrites de derrière de l'appareil.

PORTABLE BOOM BOX WITH DOCK FOR IPOD

Features

- CD player: CD, CD-R/RW
- Made for iPod
- Basic controls for docked iPod
- CD program (20 tracks)
- AM/FM radio
- Telescopic FM antenna
- Built-in speakers
- Line input (3.5mm)
- DC battery power: requires 6 C batteries (not included)
- AC power input: requires an AC power cable (included)

Included

- BI300B
- AC power cable
- Docking brackets for iPod (4)

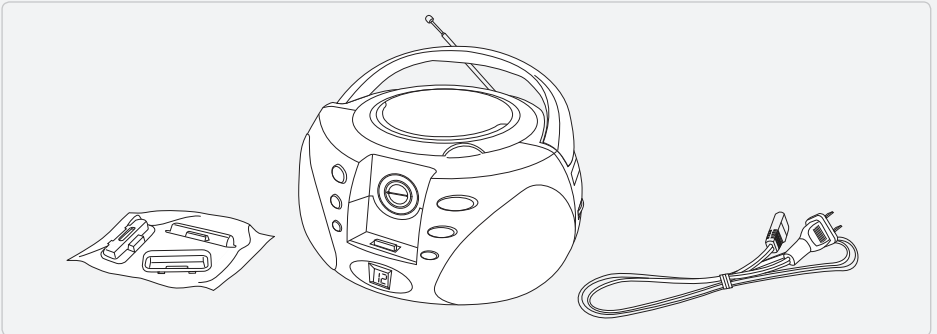
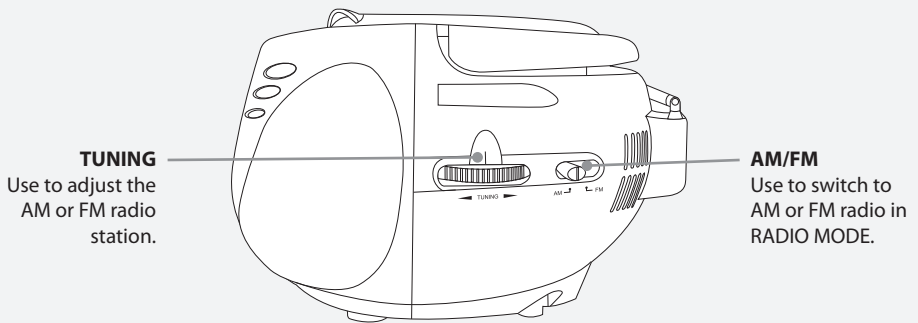
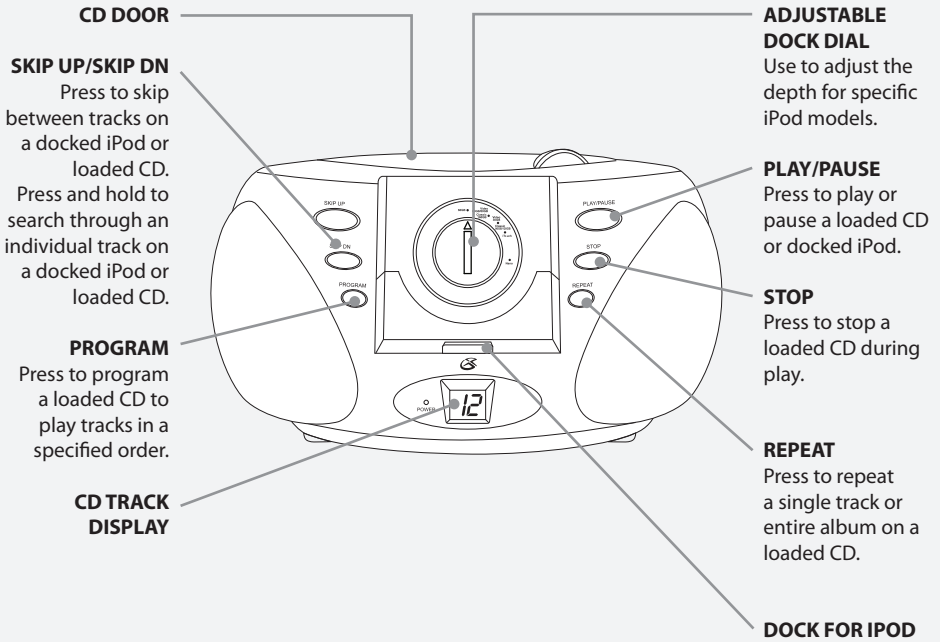


TABLE OF CONTENTS

INTRODUCTION	6
SETUP	8
IPOD	9
CD	10
RADIO AND AUXILIARY INPUT	11
COMPANY INFORMATION	12

INTRODUCTION

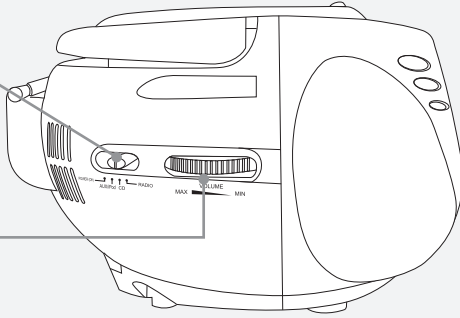


**OFF/AUX/iPod/
CD/RADIO**

Use to switch between power off, AUX, iPod, CD, and RADIO modes.

VOLUME

Use to adjust the volume.



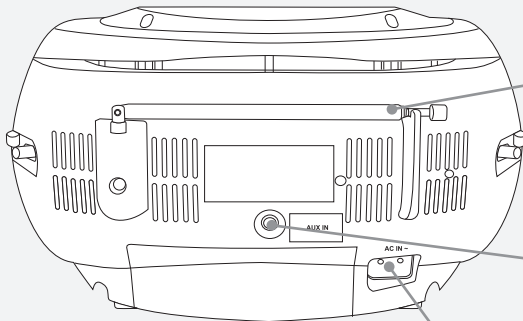
TELESCOPIC FM ANTENNA

Note: An AM antenna is built into the portable boom box.

AUXILIARY INPUT

If an auxiliary cable is connected to the AUX INPUT, audio from a docked iPod will not be played through the boom box.

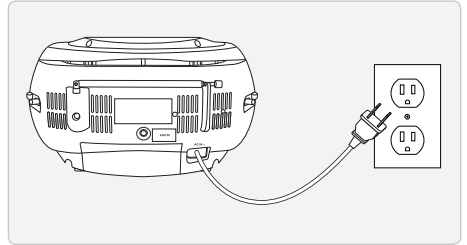
AC POWER INPUT



SETUP

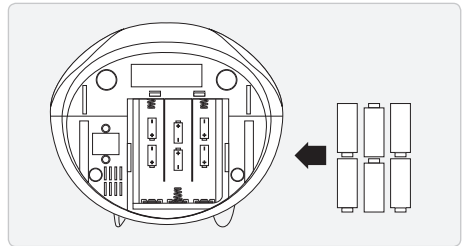
AC Power

AC power input: requires an AC power cable (included)



DC Battery Power

DC battery power: requires 6 C batteries (not included)





Docking an iPod

- 1 Locate the numbered bracket that fits the iPod model that will be docked.

Each included bracket has a number on it, indicating which iPod model that bracket is compatible with. See the separate bracket chart page to identify which bracket is needed.

- 2 Snap the bracket into place over the iPod connector in the dock.
- 3 Turn the **ADJUSTABLE DOCK DIAL** until the arrow on the dial is pointing to the listed iPod model to be docked.

iPod models and memory sizes that are not listed on the Dock Adjustment Dial can be docked by manually adjusting the dial to the depth that fits the iPod best.

- 4 Connect the iPod to the iPod connector inside the Dock for iPod.

When the portable boom box is plugged in, using AC power, the docked iPod will charge. If the unit is running on batteries, DC power, the docked iPod will not charge.

Playing an iPod

- 1 Follow the instructions for DOCKING AN IPOD.
- 2 Adjust the **OFF/AUX/iPod/CD/RADIO** switch to "AUX/iPod".
- 3 Press the **PLAY/PAUSE** button to begin playing music from the docked iPod.

CD

Loading a CD

- 1 Open the CD DOOR.
- 2 Load a CD into the portable boom box, label side facing up.

Playing a CD

- 1 Follow the instructions for LOADING A CD.
- 2 Adjust the **OFF/AUX/iPod/CD/RADIO** switch to "CD".
- 3 Press the **PLAY/PAUSE** button to begin playing the loaded CD.

Programming a CD

- 1 Follow the instructions for LOADING A CD.
- 2 Adjust the **OFF/AUX/iPod/CD/RADIO** switch to "CD".
- 3 Press the **PROGRAM** button.
"01", indicating the current program track, will begin flashing on the display.
- 4 Press the **SKIP UP** and **SKIP DN** buttons to select the CD track you would like to play in the program.
- 5 Press the **PROGRAM** button.
- 6 Repeat steps 3, 4, and 5 to continue programming CD tracks.
Up to 20 tracks can be programmed.
- 7 Press the **PLAY/PAUSE** button to begin playing the programmed CD.
- 8 To cancel a program, press the **PROGRAM** button twice.

RADIO AND LINE INPUT

Tuning the AM/FM Radio

- 1 Adjust the **OFF/AUX/iPod/CD/RADIO** switch to "RADIO".
- 2 Adjust the **AM/FM** switch to the desired radio band.
- 3 Extend the telescopic FM antenna to improve FM radio reception. An AM antenna is built into the portable boom box. Adjust the position of the portable boom box to improve AM radio reception.
- 4 Turn the **TUNING** dial to adjust the AM or FM radio station.

Using the Auxiliary Input

- 1 Requires a 3.5mm line input cable (not included)
- 2 Connect an MP3 player to the **AUXILIARY INPUT** using a line input cable.
- 3 Adjust the **OFF/AUX/iPod/CD/RADIO** switch to "AUX/iPod".
- 4 Use the connected device's native controls to play music through the portable boom box.

If an auxiliary cable is connected to the AUX INPUT, audio from a docked iPod will not be played through the boom box.

COMPANY INFORMATION

International Support

To download this User's Guide in English, Spanish, or French, visit the support section at www.gpx.com.

Para transferir esta guía de usuario en inglés, español, o francés, visite la sección de la ayuda en www.gpx.com.

Pour télécharger ce guide de l'utilisateur en anglais, espagnol, ou français, visitez la section de soutien chez www.gpx.com.

Contact Information

Address: 2116 Carr Street, St. Louis MO, 63106

Phone: 1-314-621-2881

Fax: 1-314-588-1805

Email: prodinfo@gpx.com

Parts Email: partsinfo@dpi-global.com

Website: www.gpx.com