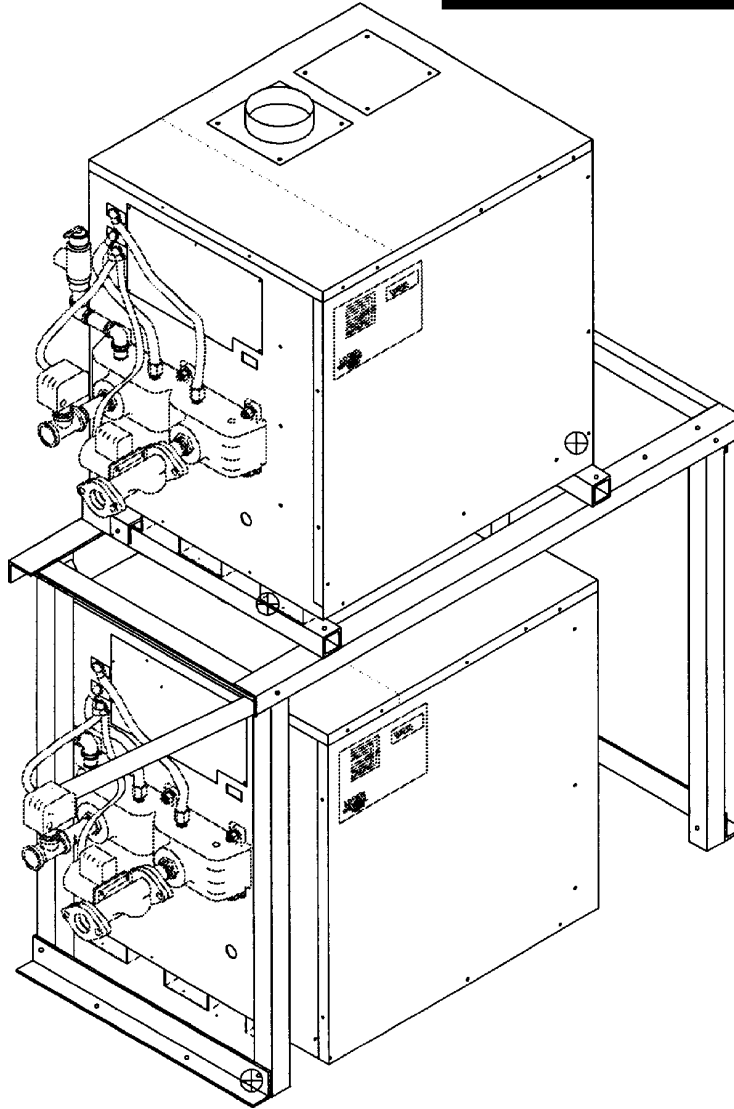


A.O. SMITH



STACK-RACK



SPACE SAVING GENESIS STACK-RACK

Install two Genesis boilers in the footprint of one! Up to 5 Million BTU's!

Install four Genesis boilers in the footprint of two! Up to 10 million BTU's!

Saves valuable floor space!

Get the fire power you need in those tight hard to fit boiler rooms!

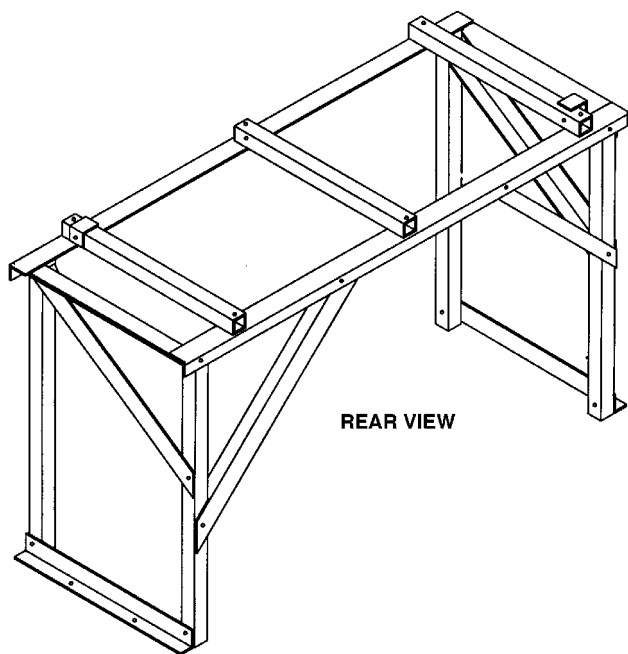
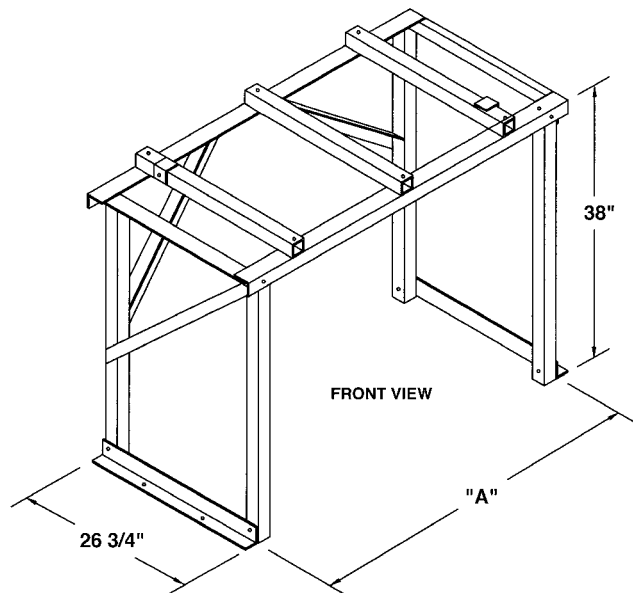
Sturdy - The Stack-Rack is made of heavy angle and tubular steel. It is designed to be a sturdy and stable platform for the top mounted boiler. The upper boiler is mounted using heavy clamps that lock and bolt the upper boiler into position. The entire rack can be bolted to the boiler room floor for maximum stability.

Factory Paint - The Stack-Rack is factory painted with the same durable powder coat finish as the Genesis Boiler, and will remain rust free for years, even in those harsh boiler room atmospheres.

Easy Assembly - The Stack-Rack is shipped as a kit for field assembly and includes step-by-step instructions. Each part is clearly labeled, pre-cut, and pre-drilled for fast easy assembly.

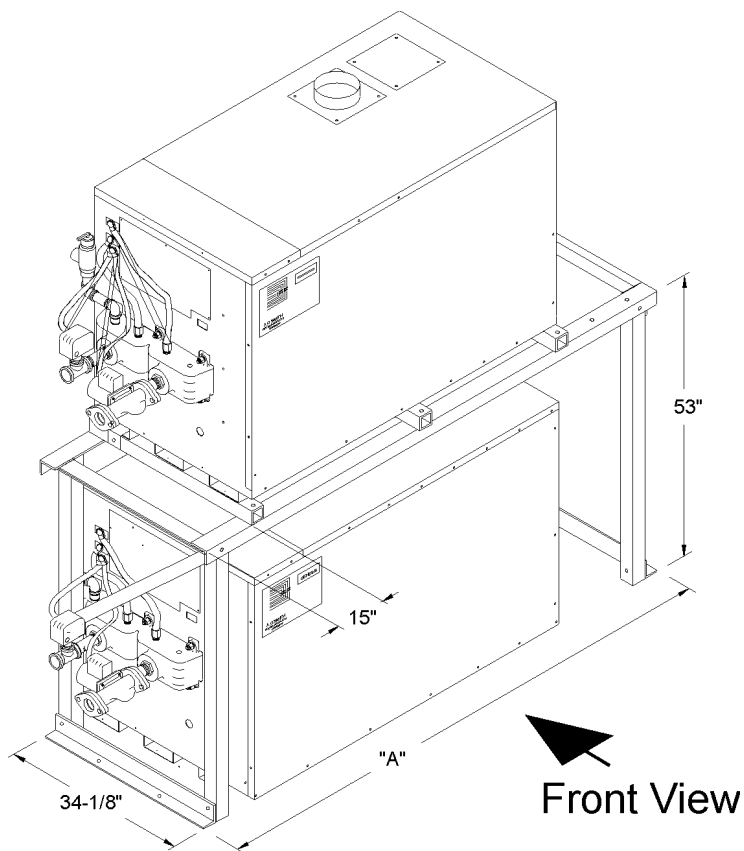
STACK-RACK ASSEMBLY

GENESIS MODELS GB/GW-200 thru GB/GW-750



Boiler Models	Stack Rack Part Number	A
GB/GW-200 thru 400	210427-001	53-1/4
GB/GW-500 thru 750	210427-000	75

GENESIS MODELS GB/GW-1000 thru GB/GW-2500



Models	Stack Rack Kit Part Number	"A" Dimn.
GB/GW-1000, 1300	211399-000	75
GB/GW-1500, 1850	211399-001	95
GB/GW-2100, 2500	211399-002	116

A.O. Smith Water Products Co., Inc. On Line
www.hotwater.com

For Technical Information and
Automated Fax Service,
Phone: 800-527-1953

A. O. Smith
Water Products Company
Ashland City, TN
A Division of A. O. Smith Corporation

A. O. Smith Corporation reserves the right to make product changes or improvements at any time without notice.