

Flat Panel Monitor

Operating Instructions _____ EN

Mode d'emploi _____ F

Bedienungsanleitung _____ D

Manual de instrucciones _____ ES

Istruzioni per l'uso _____ I

取扱説明書 _____ J

お買い上げいただきありがとうございます。



電気製品は安全のための注意事項を守らないと、
火災や人身事故になることがあります。

この取扱説明書には、事故を防ぐための重要な注意事項と製品の取り扱い方を示しています。この取扱説明書をよくお読みのうえ、製品を安全にお使いください。お読みになったあとは、いつでも見られるところに必ず保管してください。

PFM-500A1WU
PFM-500A1WE
PFM-500A1WJ

WARNING

Owner's Record

The model and serial numbers are located on the rear. Record the model and serial numbers in the spaces provided below. Refer to these numbers whenever you call upon your Sony dealer regarding this product.

Model No. _____ Serial No. _____

To prevent fire or shock hazard, do not expose the unit to rain or moisture.

For the customers in the U.S.A.

This equipment has been tested and found to comply with the limits for a Class A digital device, pursuant to Part 15 of the FCC Rules. These limits are designed to provide reasonable protection against harmful interference when the equipment is operated in a commercial environment. This equipment generates, uses, and can radiate radio frequency energy and, if not installed and used in accordance with the instruction manual, may cause harmful interference to radio communications. Operation of this equipment in a residential area is likely to cause harmful interference in which case the user will be required to correct the interference at his own expense.

You are cautioned that any changes or modifications not expressly approved in this manual could void your authority to operate this equipment.

For the customers in Canada

This class A digital apparatus complies with Canadian ICES-003.

For the customers in Europe

This is a Class A product. In a domestic environment, this product may cause radio interference in which case the user may be required to take adequate measures.

For PFM-500A1WE users

THIS APPARATUS MUST BE EARTHED

IMPORTANT

The wires in this mains lead are coloured in accordance with the following code:

Green-and-yellow : Earth
Blue : Neutral
Brown : Live

As the colours of the wires in the mains lead of this apparatus may not correspond with the coloured markings identifying the terminals in your plug proceed as follows:

The wire which is coloured green-and-yellow must be connected to the terminal in the plug which is marked with the letter E or by the safety earth symbol \perp or coloured green or green-and-yellow.

The wire which is coloured blue must be connected to the terminal which is marked with the letter N or coloured black.

The wire which is coloured brown must be connected to the terminal which is marked with the letter L or coloured red.

Voor de klanten in Nederland



Bij dit produkt zijn batterijen geleverd. Wanneer deze leeg zijn, moet u ze niet weggooien maar inleveren als KCA.

The socket-outlet should be installed near the equipment and be easily accessible.

Note

When you connect a computer to this monitor, attach the supplied ferrite cores. If you do not do this, this monitor will not conform to mandatory FCC/IC/CE (EN55022) standards.

Attaching the ferrite cores

Set the ferrite cores on the both ends of the AC power cord. Close the lid tightly until the clamps click.

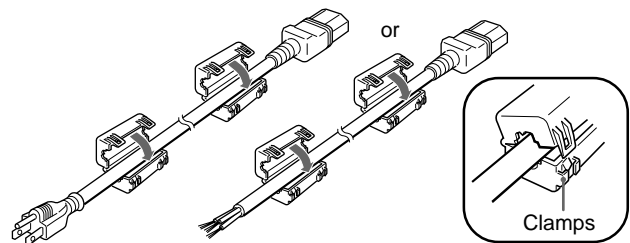


Table of Contents

Precautions	4 (EN)
Features	5 (EN)
Location and Function of Parts and Controls	6 (EN)
Front / Sides	6 (EN)
Control Panel	8 (EN)
Right Connector Panel	9 (EN)
Left Connector Panel	11 (EN)
Remote Commander RM-921	12 (EN)
Installation	14 (EN)
Using the Retractable Feet	14 (EN)
Caution	15 (EN)
Connections	16 (EN)
Connecting the AC Power Cord	16 (EN)
Connection Example	17 (EN)
Using On-screen Menus	18 (EN)
Operating Through Menus	18 (EN)
Menu Guide	18 (EN)
Watching the Picture	22 (EN)
Switching the Picture	22 (EN)
Watching a Still Picture	22 (EN)
Input Signal and Monitor Status Information	
Display	22 (EN)
Adjusting the Picture	24 (EN)
Adjusting the Contrast, Brightness, Chroma, and	
Phase	24 (EN)
Emphasizing the Contrast of the Picture	
(Picture AGC Function)	24 (EN)
Restoring the PIC CONTROL Menu Items to Original	
Settings	25 (EN)
Zooming, Resizing, and Positioning the Picture	26 (EN)
Resizing the Picture	26 (EN)
Adjusting the Picture Position	26 (EN)
Zooming Up the Picture	27 (EN)
Restoring the Original Picture Size and Position ..	27 (EN)
Using the Memory	28 (EN)
Storing the Current Condition	28 (EN)
Calling Up the Stored Condition	28 (EN)
Turning Off the Power Automatically When There Is No	
 Input Signal (Power Saving Function)	30 (EN)
Selecting the On-screen Language	31 (EN)
Self-diagnosis Function	31 (EN)
Operating a Specific Monitor With the Remote	
 Commander	32 (EN)
Using the Other Remote Commander	33 (EN)
Specifications	34 (EN)

Precautions

On safety

- Operate the unit on 100 to 120 V AC or 220 to 240 V AC.
- The nameplate indicating operating voltage, power consumption, etc. is located on the rear.
- Should any solid object or liquid fall into the cabinet, unplug the unit and have it checked by qualified personnel before operating it any further.
- Unplug the unit from the wall outlet if it is not to be used for several days or more.
- To disconnect the AC power cord, pull it out by grasping the plug. Never pull the cord itself.
- When the unit is installed on the floor, be sure to use the retractable feet.

On installation

- Allow adequate air circulation to prevent internal heat build-up. Do not place the unit on surfaces (rugs, blankets, etc.) or near materials (curtains, draperies) that may block the ventilation holes.
- Do not install the unit in a location near heat sources such as radiators or air ducts, or in a place subject to direct sunlight, excessive dust, mechanical vibration or shock.
- When you install multiple equipment with the unit, the following, such as Remote Commander's malfunction, noisy picture, noisy sound, may occur depending on the position of the unit and other equipment.

On PDP (Plasma Display Panel)

- There may be some tiny black points and/or bright points on the PDP. These points are normal.
- Do not display a same still image on the screen for long, consecutive time. Otherwise, the afterimage may appear on a part of a panel since the brightness of the part of the picture becomes high due to the consecutive display of the picture. Use the screen saver eventually to equalize the screen display.

On cleaning

To keep the unit looking brand-new, periodically clean it with a mild detergent solution. Never use strong solvents such as thinner or benzine, or abrasive cleansers since these will damage the cabinet. As a safety precaution, unplug the unit before cleaning it.

On repacking

Do not throw away the carton and packing materials. They make an ideal container in which to transport the unit. When shipping the unit to another location, repack it as illustrated on the carton.

If you have any questions about this unit, contact your authorized Sony dealer.

Features

The PFM-500A1WU is 16:9 42-inch flat panel monitor adopting the PDP (Plasma Display Panel) and accepts various types of signals with the built-in scan converter.

Scan converter

The unit is capable of converting the various signal, such as RGB, component, composite, or Y/C signal, to 480 line format.

The unit can convert a low-rate input signal into a high-rate one and perform flexible adjustments of the images, such as zoom and still.

ID control

You can operate a specific monitor among several monitors by using the index number features.

On-screen menus

You can adjust the settings by using the on-screen menus.

Control S

The control S signal allows remote control of several monitors and a VCR through a single monitor.

Other features

- Three dimensional comb filter for NTSC Y/C separation.
- Line correlation comb filter for PAL Y/C separation.
- Up to x4 zooming.
- Accepts infrared or wired Sony Remote Commanders using SIRCS code.
- Three sets of video inputs with audio inputs: one composite video or Y/C inputs, one RGB input, and one RGB/component input.
- Displays the HDTV signal with tri-level sync signal.
- Memory function for storage of up to five picture settings.
- Automatic input signal detection with indication.
- Windows95¹⁾ PnP (Plug and Play) compatible.
- On-screen display in five languages for user-friendly access.
- Power Saving function.
- Self-diagnosis function.
- Picture AGC function — this function automatically adjusts and improves the contrast when a low intensity signal is input.

Warning on power connection

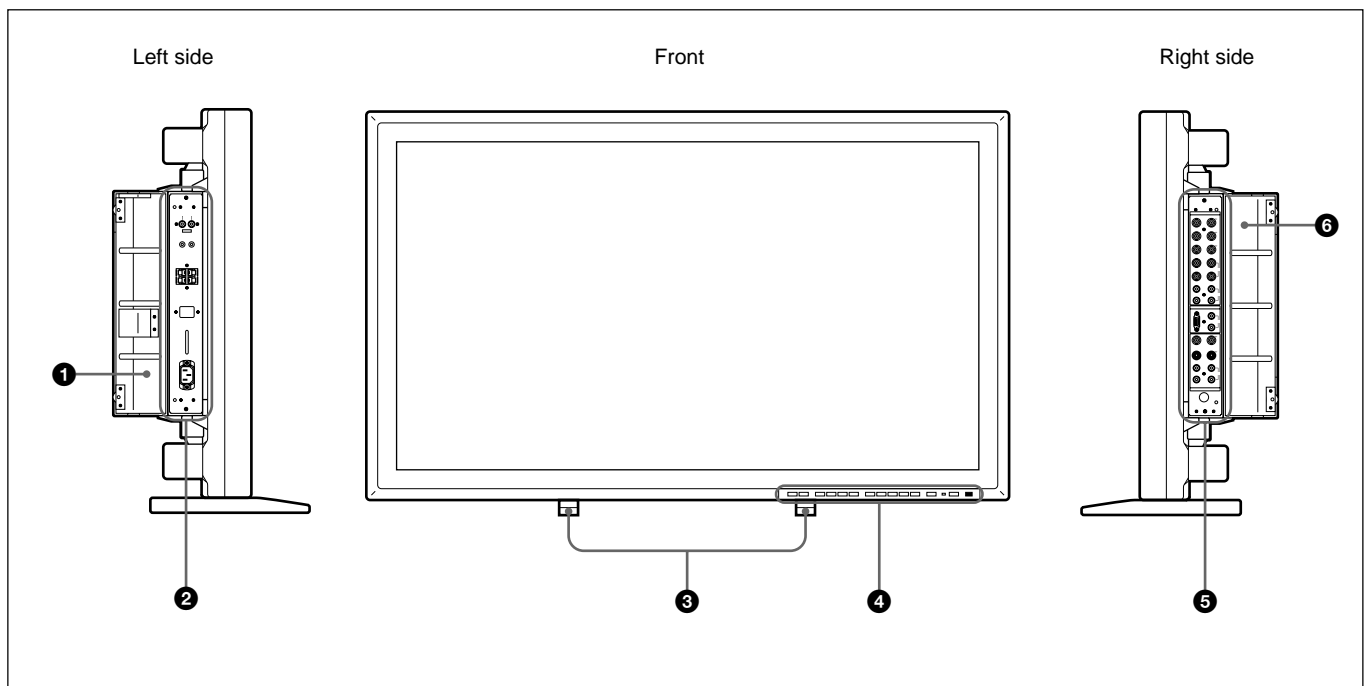
Use a proper power cord for your local power supply.

	United States, Canada	Continental Europe	United Kingdom, Ireland, Australia, New Zealand	Japan
Plug type	VM0033B	COX-07 636	—	VM1296
Female end	VM0113	COX-02 VM0310B	VM0310B	VM1313
Cord type	SJT	H05VV-F	CEE (13) 53rd (O.C)	HVCTF
Minimum cord set rating	13A/125V	10A/250V	10A/250V	10A/125V
Safety approval	UL/CSA	VDE	VDE	DENTORI

1) Windows95 is a registered trademark of the Microsoft Corporation.

Location and Function of Parts and Controls

Front / Sides



❶ Left panel cover

Open it when using the left connector panel.
You can install the Remote Commander in the back of this cover.
For details on opening the panel cover, see the right on this page.

❷ Left connector panel

For details on the left connector panel, see “Left Connector Panel” on page 11(EN).

❸ Retractable feet

Use for setting the monitor on the floor.
For details on using the retractable feet, see “Using the Retractable Feet” on page 14(EN).

❹ Control panel

For details on the control panel, see “Control Panel” on page 8(EN).

❺ Right connector panel

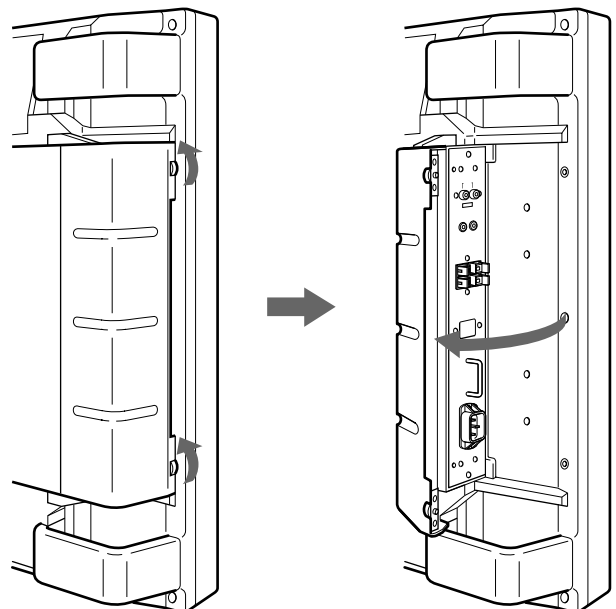
For details on the right connector panel, see “Right Connector Panel” on page 9(EN).

❻ Right panel cover

Open it when using the right connector panel.
For details on opening the panel cover, see the right on this page.

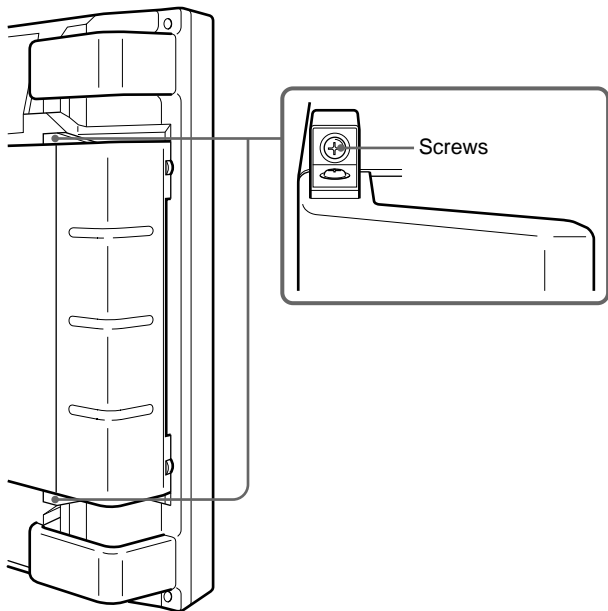
To open the panel cover

Loosen the screws counterclockwise and open the cover.



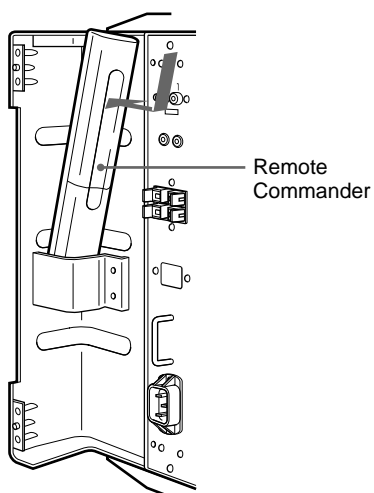
To take off the panel cover

Loosen the screws as illustrated below and take off the panel cover.



To install the Remote Commander in the panel cover

Install the Remote Commander in the back of the left panel cover as illustrated below.

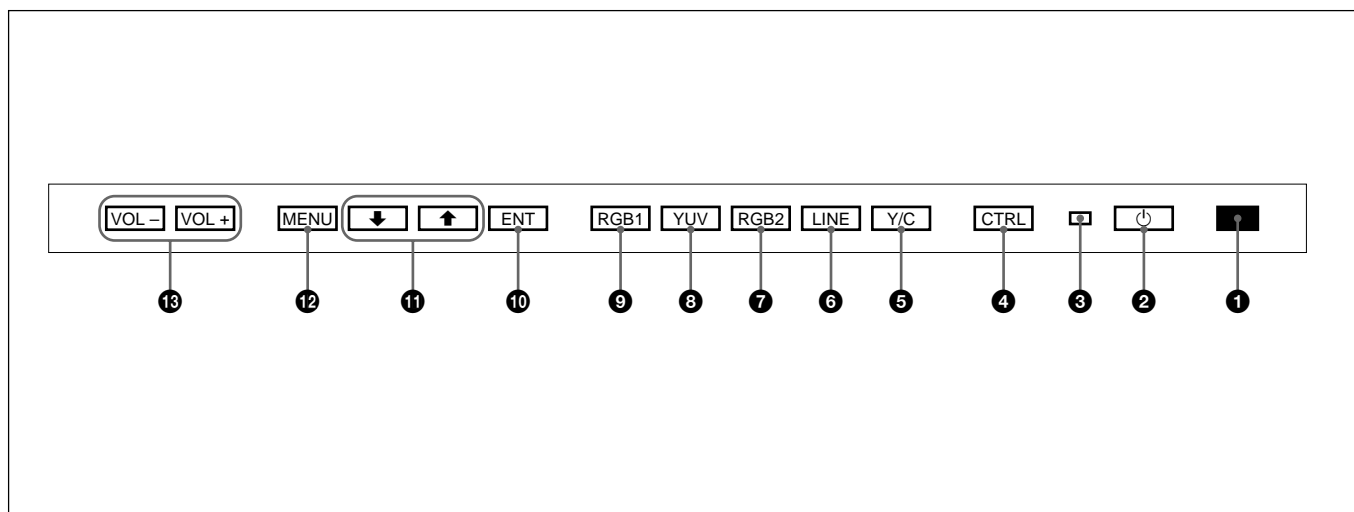


Note

When housing the Remote Commander, make sure that the top of the Remote Commander faces upward and rear faces outside.

Location and Function of Parts and Controls

Control Panel



1 Remote control detector

Receives the beam from the Remote Commander.

2 ⏻ (standby) switch/⏻ (standby) indicator

Press to turn the monitor on. Press again to go back to the standby mode.

The ⏻ (standby) indicator lights up in red in the standby mode.

When the ⏻ indicator flashes, see “Self-diagnosis Function” on page 31(EN).

3 Power indicator

Lights up when the monitor is turned on.

Flashes in the power saving mode.

For details on the power saving mode, see “Turning Off the Power Automatically When There Is No Input Signal (Power Saving Function)” on page 30(EN).

4 CTRL (control) button

To operate the buttons on the control panel, first press this button. Then the buttons light up or flash that show they can be operated. Press again to deactivate them.

Note

The buttons (except for ⏻ (standby) switch 2) on the control panel do not function if you do not press the CTRL button first.

5 Y/C button

Select the signal input from the Y/C IN jack in the LINE connectors.

6 LINE button

Select the signal input from the VIDEO IN connector in the LINE connectors.

7 RGB2 button

Select the signal input from the RGB2 connectors.

8 YUV button

Select the component signal input from the RGB1 connectors.

9 RGB1 button

Select the RGB signal input from the RGB1 connectors.

10 ENT (enter) button

Press to select the desired item in a menu.

11 ↑/↓ buttons

Press to move the cursor (▶) to an item or to adjust value in a menu.

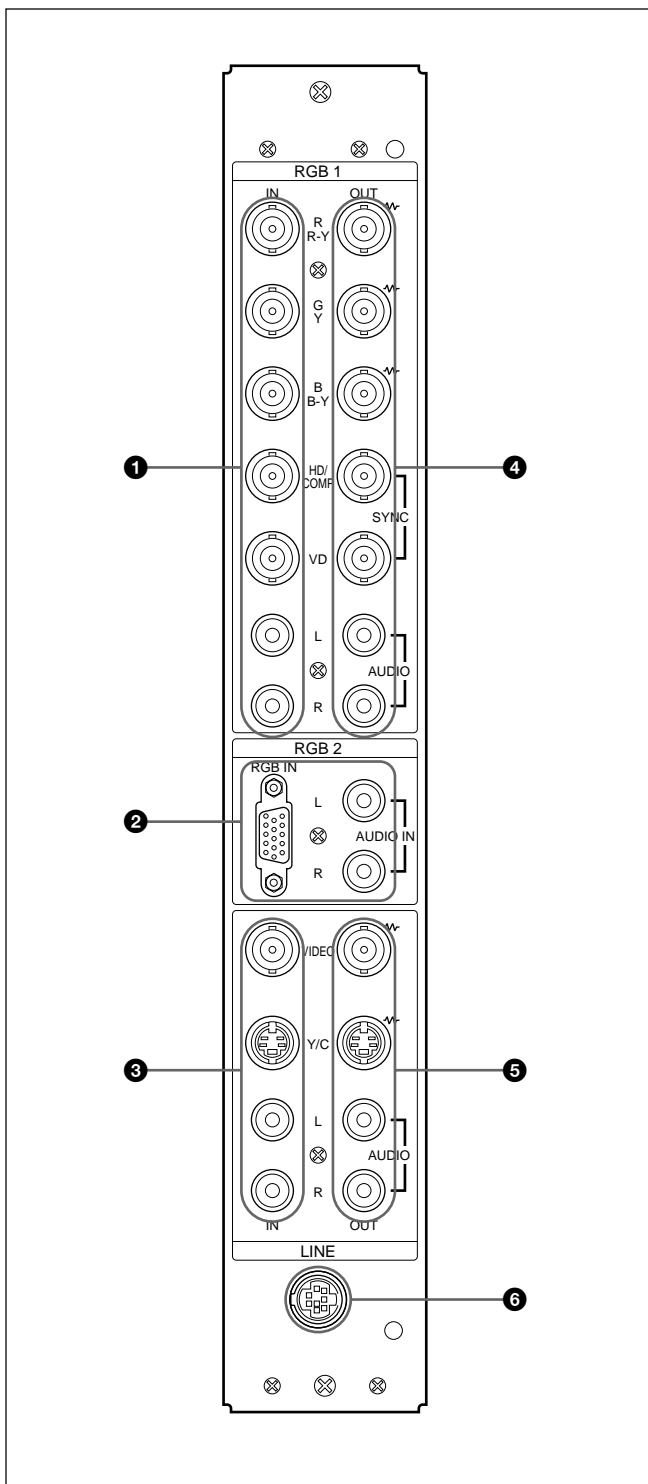
12 MENU button

Press to make the menu appear.

13 VOL (volume) +/- buttons

Press the + button to increase the volume, or the – button to decrease the volume.

Right Connector Panel



1 RGB1 IN connectors

R (R-Y)/G (Y)/B (B-Y) IN (BNC-type): Input the analog RGB signal or component signal. Connect to the RGB signal or component (Y/B-Y/R-Y) signal output of a computer or video equipment. This unit also accepts the HD analog component (Y/PB/PR) signal. Input the PB signal to the B (B-Y) IN connector and Pr signal to the R (R-Y) IN connector.

HD/COMP IN (BNC-type): Input the H sync signal or composite sync signal. Connect to the H sync signal or composite sync signal output of a computer or video equipment.

VD IN (BNC-type): Input the V sync signal. Connect to the V sync signal output of a computer or video equipment.

External sync signal is selected automatically. See the priority chart below.

Input connector	Input sync signals		
HD/COMP IN	H Sync	Comp Sync	—
VD IN	V Sync	—	—
G(Y) IN	Sync on G	Sync on G	Sync on G
Sync signals to be selected	H Sync V Sync	Comp Sync	Sync on G

AUDIO IN (L/R) (phono type): Input the audio signal. Connect to the audio output of a computer or video equipment. Connect to the channel L when the audio signal is monaural.

2 RGB2 IN connectors

RGB IN (D-sub 15-pin): Connect to the RGB signal output of a computer.

AUDIO IN (L/R) (phono type): Input the audio signal. Connect to the audio output of a computer. Connect to the channel L when the audio signal is monaural.

(Continued)

Location and Function of Parts and Controls

③ LINE IN connectors

VIDEO IN (BNC-type): Connect to the composite video signal output of the video equipment.

Y/C IN (Mini DIN 4-pin): Connect to the Y/C signal output of the video equipment.

AUDIO IN (L/R) (phono type): Connect to the audio output of the video equipment. Connect to the channel L when the audio signal is monaural.

④ RGB1 OUT connectors

These connectors are used as loop-through outputs of the RGB1 IN connectors ①.

When the plug is connected to the RGB OUT connectors, the 75-ohms termination of the RGB IN connectors is released, and the signal input to the RGB IN connectors is output from these connectors.

R (R-Y)/G (Y)/B (B-Y) OUT (BNC-type): Loop-through outputs of the RGB IN connectors. Connect to the RGB signal or component (Y/B-Y/R-Y) signal input of another monitor.

HD/COMP OUT (BNC-type): Loop-through output of the HD/COMP IN connector. Connect to the H sync signal or composite sync signal input of another monitor.

VD OUT (BNC-type): Loop-through output of the VD IN connector. Connect to the V sync signal input of another monitor.

Note

The HD/COMP OUT and VD OUT connectors are high impedance outputs.

When using these outputs, connect a monitor with high impedance sync input connector, or the picture might be oscillated or disappeared because of the sync signal level mismatch.

AUDIO OUT (L/R) (phono type): Loop-through outputs of the AUDIO IN jacks. Connect to the audio inputs of another monitor.

⑤ LINE OUT connectors

These connectors are used as loop-through outputs of the LINE IN connectors ③.

When the plug is connected to the VIDEO OUT connector or Y/C OUT jack, the 75-ohms termination of the VIDEO IN connector or Y/C IN jack is released, and the signal input to the VIDEO IN or Y/C IN jack is output from the VIDEO OUT connector or Y/C OUT jack.

VIDEO OUT (BNC-type): Connect to the composite video signal input of another monitor or video equipment.

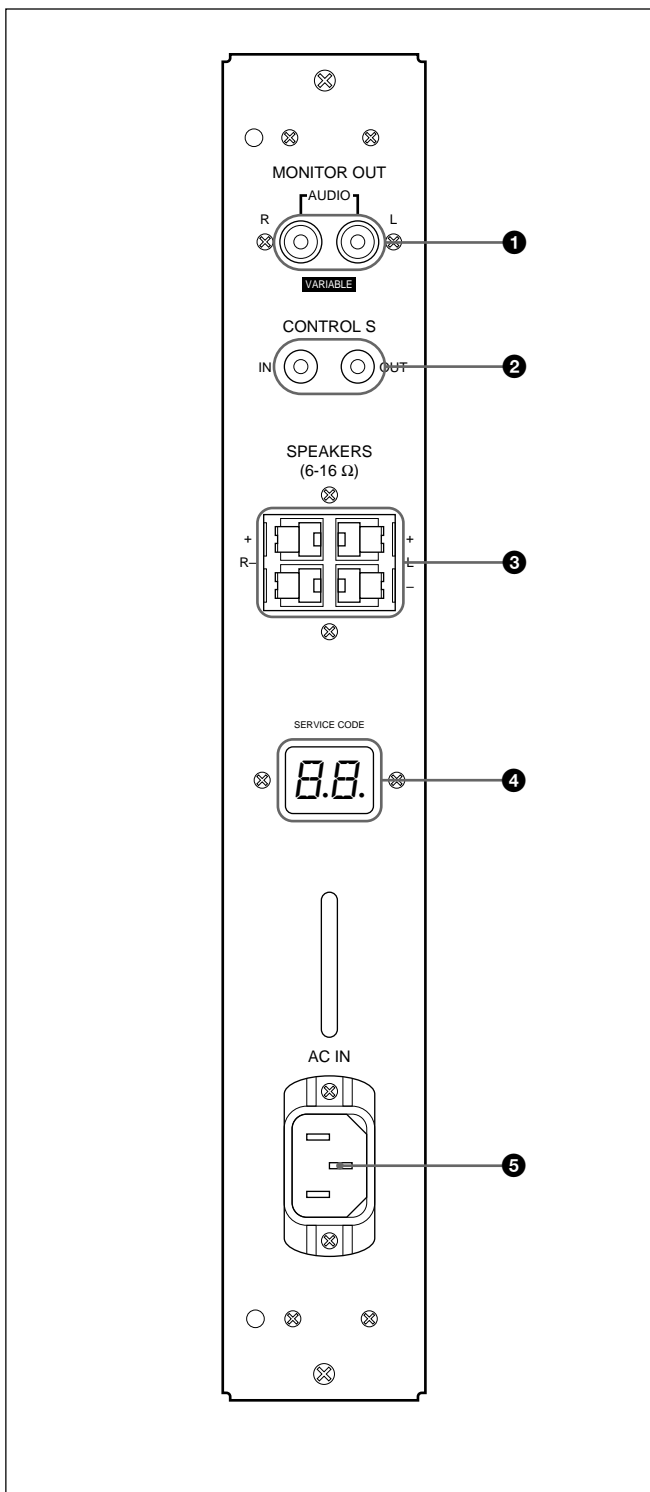
Y/C OUT (Mini DIN 4-pin): Connect to the Y/C signal input of another monitor or video equipment.

AUDIO OUT (L/R) (phono type): Loop-through outputs of the AUDIO IN jacks. Connect to the audio inputs of another monitor or video equipment.

⑥ Service connector (mini DIN 8-pin)

This connector is only for qualified personnel.

Left Connector Panel



1 MONITOR OUT AUDIO (L/R) jacks (phono type)

Output the signal input from the AUDIO IN jacks. Connect to the audio inputs of an audio amplifier (not supplied).

Note

These jacks are variable outputs. Set the volume to maximum position to set the output level to 500 mVrms.

2 CONTROL S IN/OUT jacks (mini jacks)

Connect to the CONTROL S jacks of video equipment or another monitors. Then you can simultaneously control all equipment with a single Remote Commander.

To control equipment by aiming the supplied Remote Commander to the remote control detector of the monitor, connect the CONTROL S OUT jack of the monitor and the CONTROL S IN jack of other equipment.

Notes

- If you connect the CONTROL S IN jack to the other equipment's CONTROL S OUT jack, you cannot operate the monitor with the Remote Commander.
- You can use the stereo cable with mini plug instead of the control S cable.

3 SPEAKERS L/R terminals

Connect to speakers with 6 to 16 ohms impedance.

Note

Do not connect the speaker's cord to the monitor and to an amplifier simultaneously, or an excessive electric current might flow from the amplifier and damage the monitor.

4 SERVICE CODE indicator

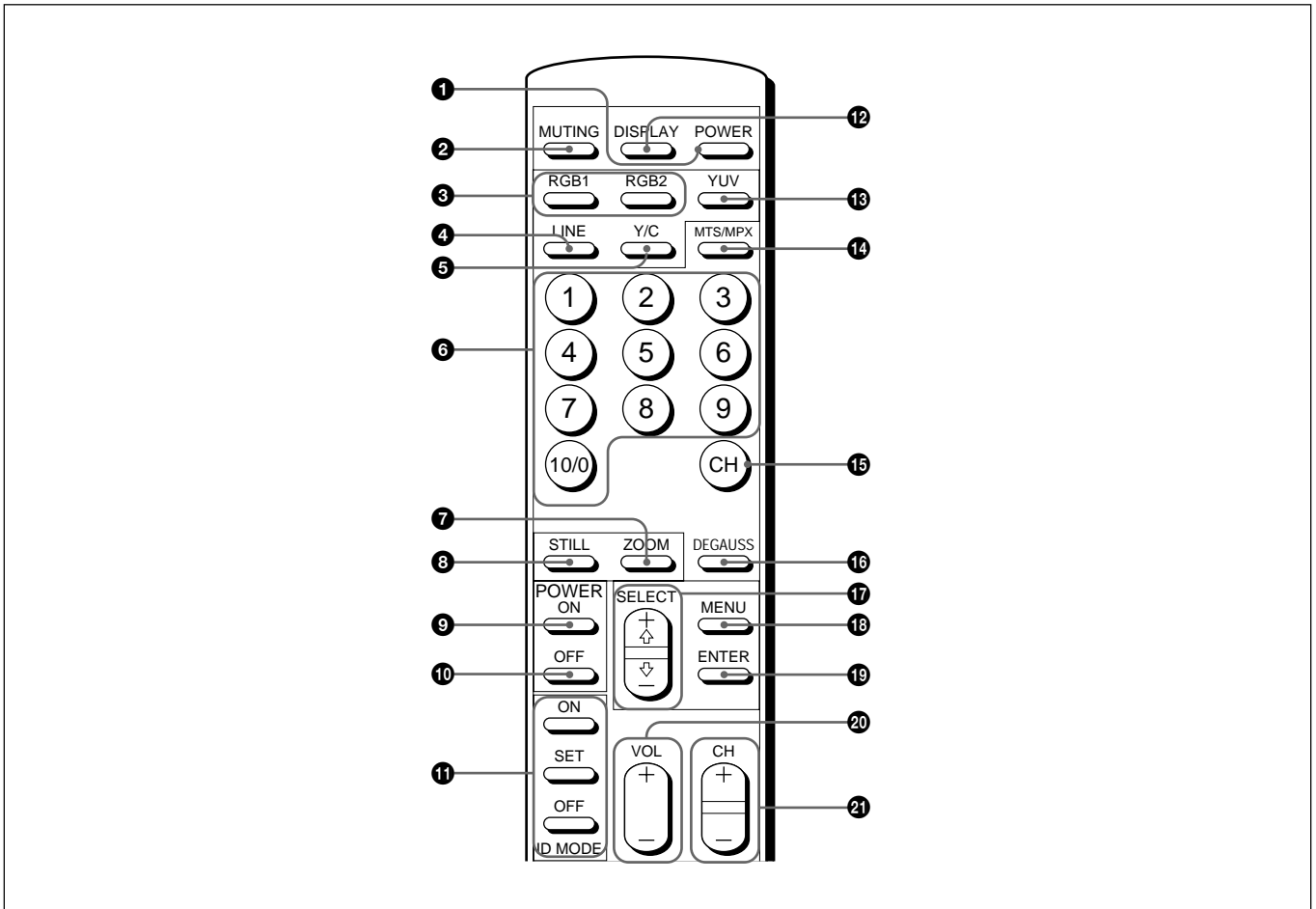
This indicator is only for qualified personnel.

5 ~AC IN socket

Connect the supplied AC power cord to this socket and to a wall outlet. Once you connect the AC power cord, the monitor turns to standby mode.

Location and Function of Parts and Controls

Remote Commander RM-921



❶ POWER switch

Press to turn on the monitor. Press again to go back to the standby mode.

Note

When using multiple monitors, press this switch to turn monitors which are already on into the standby mode, or turn on monitors which are in the standby mode.

❷ MUTING button

Press to mute the sound. Press this button again or press the VOL (volume) +/- button to obtain the sound again.

❸ RGB1/RGB2 buttons

Select the signal input from the RGB1 or RGB2 connectors.

❹ LINE button

Selects the signal input from the VIDEO IN connector in the LINE connectors.

❺ Y/C button

Selects the signal input from the Y/C IN jack in the LINE connectors.

❻ Number buttons

Press to select the index number.

❼ ZOOM button

Adjusts the zoom. Each time you press the ZOOM button, the picture is magnified by two, three, and four times respectively.

❽ STILL button

Freezes a picture on the monitor screen. Press again to resume normal screen.

9 POWER ON switch

Press to turn on the monitor. When you use multiple monitors, you can use this switch instead of the POWER switch 1 not to affect another monitor which is already turned on.

10 POWER OFF switch

Press to turn the monitor into the standby mode. When you use multiple monitors, you can use this switch instead of the POWER switch 1 not to affect another monitor which are in the standby mode.

11 ID MODE (ON/SET/OFF) buttons

Press the ON button to make an index number appear on the screen. Then press the index number of the monitor you want to operate and press the SET button. After you finish the operation, press the OFF button to return to the normal mode.

12 DISPLAY button

Displays the input signal information on the top of the monitor screen. Press again to clear it.

13 YUV button

Selects the component signal input from the RGB1 connectors.

14 MTS/MPX button

This button does not operate with the monitor.

15 CH button

This button does not operate with the monitor.

16 DEGAUSS button

This button does not operate with the monitor.

17 SELECT +↑/−↓ buttons

Press to move the cursor (▶) to an item or to adjust value in a menu.

18 MENU button

Press to make the menu appear.

19 ENTER button

Press to select the desired item in a menu.

20 VOL +/- buttons

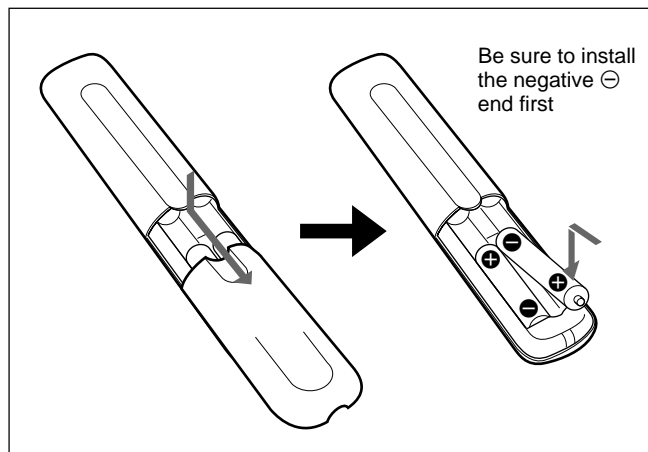
Press the + button to increase the volume, or the − button to decrease the volume.

21 CH +/- buttons

This button does not operate with the monitor.

Installing batteries

Insert two size AA (R6) batteries in correct polarity.



- In normal operation, batteries will last up to half a year. If the Remote Commander does not operate properly, the batteries might be exhausted. Replace them with new ones.
- To avoid damage from possible battery leakage, remove the batteries if you do not plan to use the Remote Commander for a fairly long time.

When the Remote Commander does not work

Check that the ⏻ indicator lights up. The Remote Commander operates the monitor only when the monitor is turned on, or it is in the standby mode.

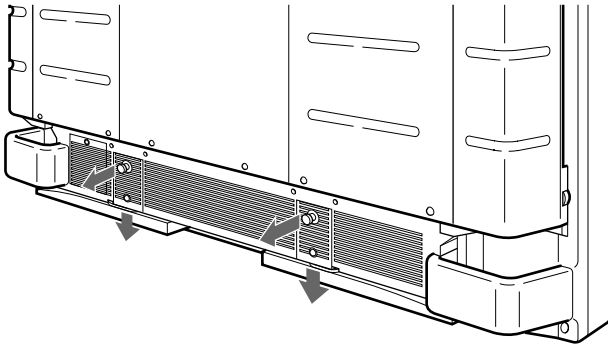
Note

If you connect the cable to the CONTROL S IN jack on the side of the monitor, you cannot operate the monitor with the Remote Commander.

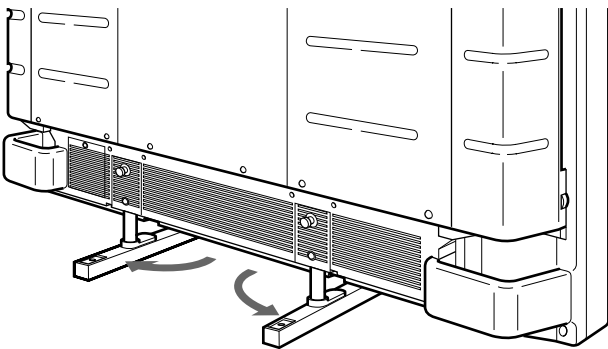
Installation

Using the Retractable Feet

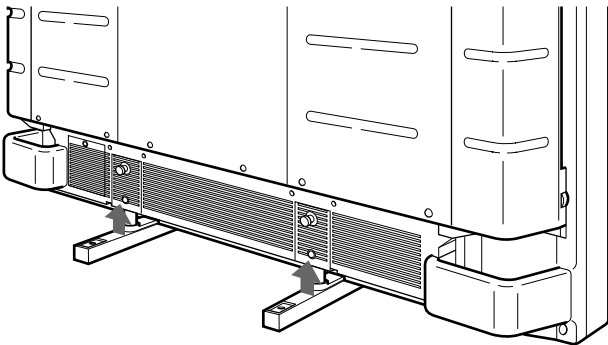
- 1** Pull out the knobs and pull down the retractable feet.



- 2** Turn the retractable feet outward.

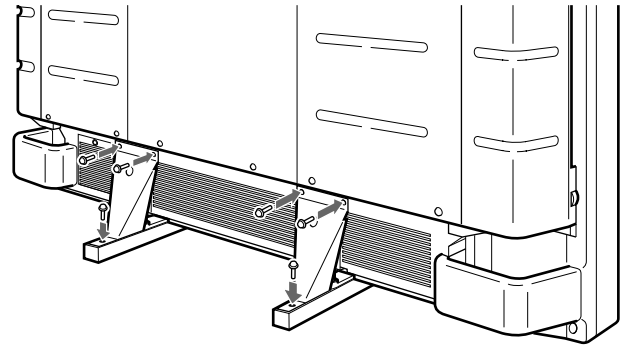


- 3** Push in the retractable feet and lock.



To fix the retractable feet

When the unit is installed on the floor, be sure to fix the retractable feet.
Install the foot support brackets as illustrated below.

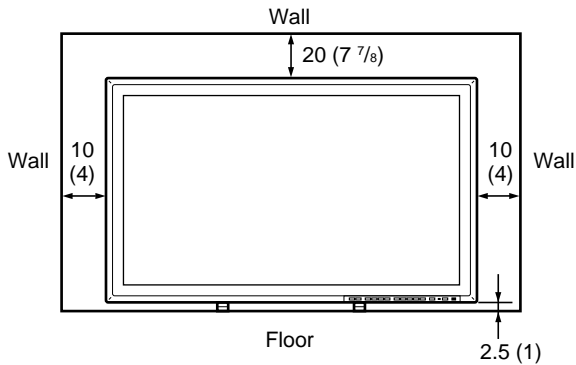


Caution

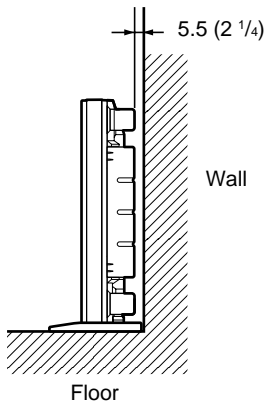
- When you install the monitor, make sure there is more space than that shown in the figure below.
- The ambient temperature must be $0^{\circ}\text{C} - +35^{\circ}\text{C}$ ($32^{\circ}\text{F} - 95^{\circ}\text{F}$).

When using the retractable feet

Front

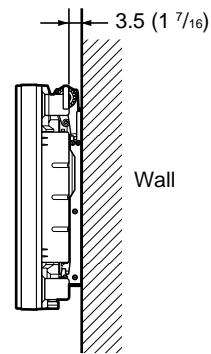


Side



Units: cm (inches)

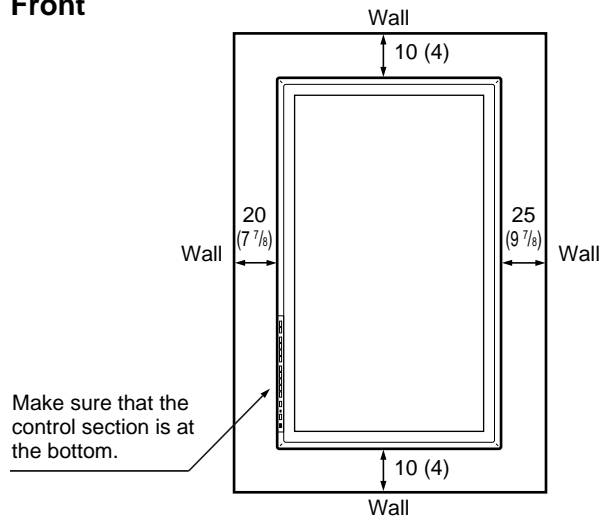
Side



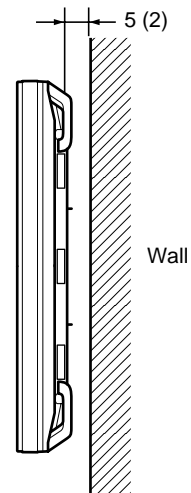
Units: cm (inches)

Hooked on the wall: Vertically

Front



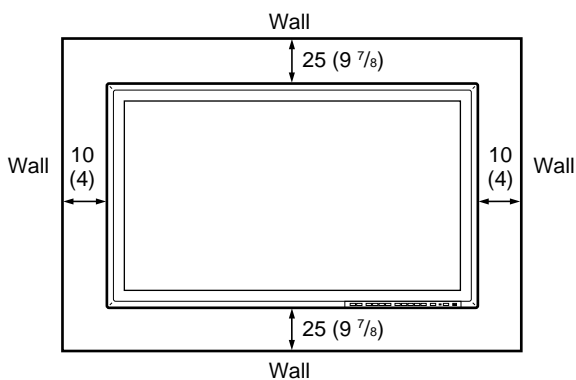
Side



Units: cm (inches)

When using the mounting bracket

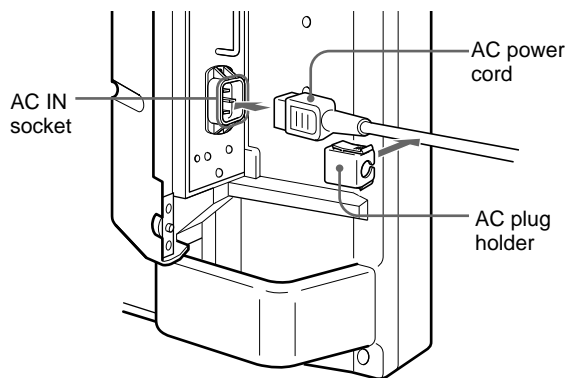
Front



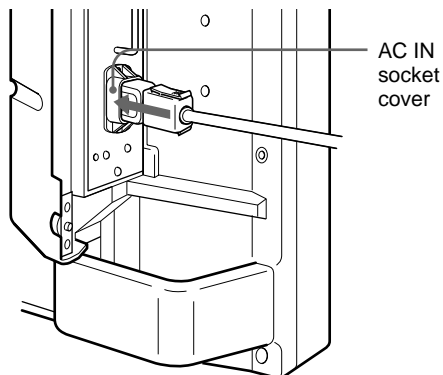
Connections

Connecting the AC Power Cord

- 1 Plug the power cord into the AC IN socket. Then, attach the AC plug holder (supplied) to the AC power cord.



- 2 Slide the AC plug holder over the cord until it connects to the AC IN socket cover.



To remove the AC power cord

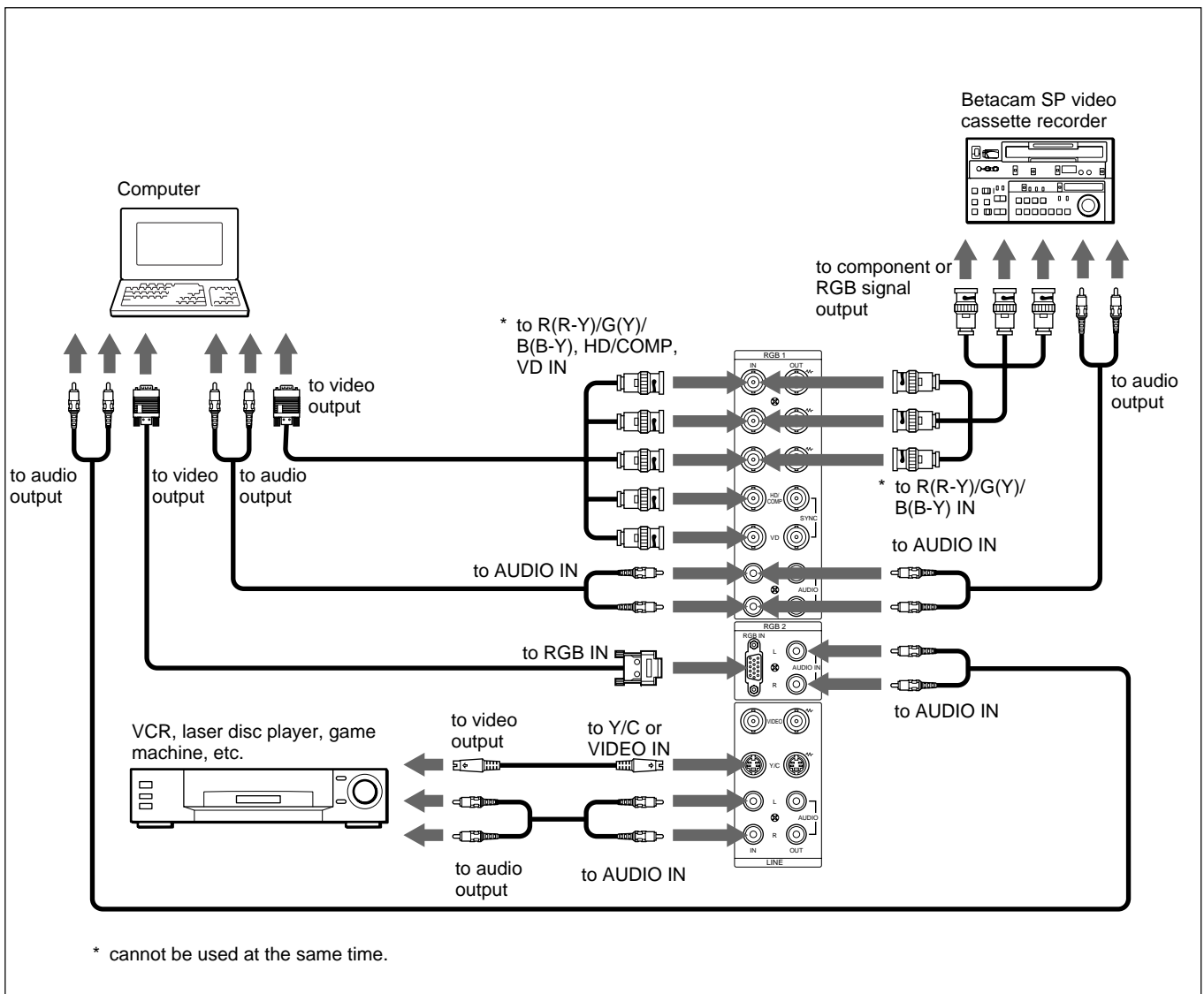
Squeeze the upper and lower sides and pull out the AC plug holder.

Connection Example

Before you get started

- First make sure that the power to each piece of equipment is turned off.
- Use connecting cables suitable for the equipment to be connected.
- The cable connectors should be fully inserted into the jacks. A loose connection may cause hum and other noise.

- To disconnect the cable, pull out by grasping the plug. Never pull the cable itself.
- Read the instruction manual of the equipment to be connected.

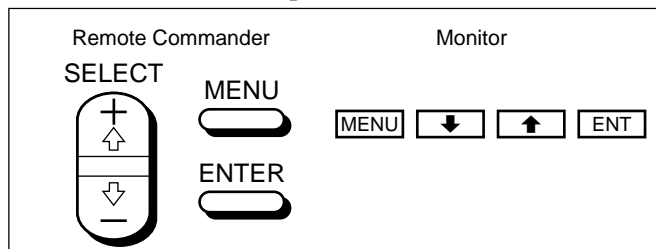


Using On-screen Menus

Operating Through Menus

Menu operating buttons

There are four buttons on the monitor and the Remote Commander for menu operations.



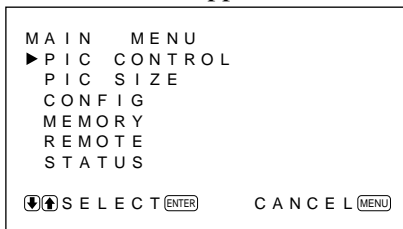
The buttons on the control panel are used for explanation purpose in this operating instructions. The ENTER button on the Remote Commander has the same function as the ENT button on the control panel and the SELECT + \uparrow / \downarrow buttons on the Remote Commander as same as the \uparrow / \downarrow buttons on the control panel.

Configuration of the menu

To select the language used in the menu, see page 31(EN).

1 Press MENU.

The main menu appears on the monitor screen.



2 Press \uparrow / \downarrow to move the cursor (▶) and press ENT to select a menu.

The selected menu appears on the monitor screen.

3 Press \uparrow / \downarrow to move the cursor (▶) and press ENT to select an item.

The menu for the selected item appears on the monitor screen.

4 Press \uparrow / \downarrow to adjust or select the setting and press ENT to set.

The setting is registered and the menu returns to the previous menu.

To return to the normal screen, press the MENU button repeatedly until the menu disappears.

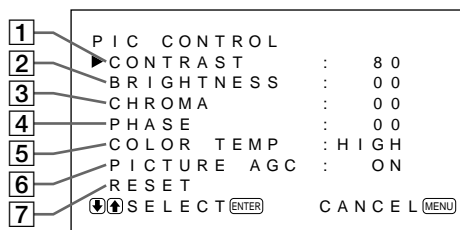
Menu Guide

Note

“— — —” appears next to an item when its function is not available. The availability depends on the types of input signal.

PIC CONTROL menu

This menu is used for adjusting the picture.



1 CONTRAST

Press \uparrow to increase the contrast and press \downarrow to decrease it.

2 BRIGHTNESS

Press \uparrow to make the picture brighter and press \downarrow to make it darker.

3 CHROMA

Press \uparrow to increase color saturation and press \downarrow to decrease it.

4 PHASE

Press \uparrow to make overall picture greenish and press \downarrow to make it purplish.

5 COLOR TEMP

Select the color temperature from HIGH (6500K) or LOW (about 5500K).

6 PICTURE AGC

Select ON to improve the contrast automatically when a low intensity signal is input.

For details on the picture AGC function, see “Emphasizing the Contrast of the Picture (Picture AGC Function)” on page 24(EN).

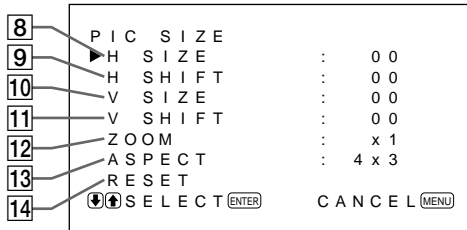
7 RESET

Select to restore the factory settings in the PIC CONTROL menu items 1 to 6.

For details on using the reset function, see “Restoring the PIC CONTROL Menu Items to Original Settings” on page 25(EN).

PIC SIZE menu

This menu is used for zooming, positioning, and resizing the picture.



8 H SIZE

Adjusts the horizontal picture size. Press **↑** to enlarge the horizontal size and press **↓** to diminish it.

9 H SHIFT

Adjusts the horizontal centering. Press **↑** to move the picture to the right and press **↓** to move it to the left.

10 V SIZE

Adjusts the vertical picture size. Press **↑** to enlarge the vertical size and press **↓** to diminish it.

11 V SHIFT

Adjusts the vertical centering. Press **↑** to move the picture up and press **↓** to move it down.

12 ZOOM

Zooms up the picture two, three, and four times.

13 ASPECT

Set the aspect ratio of the picture to 4:3 or 16:9.

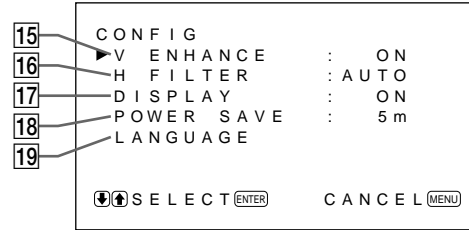
14 RESET

Select to restore the factory settings in the PIC SIZE menu items **8** to **13**.

For details on using the reset function, see “Restoring the Original Picture Size and Position” on page 27(EN).

CONFIG menu

This menu is used for adjusting the signal or selecting the language.



15 V ENHANCE

Select ON normally.

Select ON to sharpen the vertical edge.

16 H FILTER

Select AUTO normally.

Select HIGH when the ringing appears on the screen.

Select LOW when the moiré pattern or noise appears on the screen. The moiré pattern or noise decreases even the screen looks a little blurred.

17 DISPLAY

Select ON to display the input signal information for about five seconds on the top of the monitor screen when turning on the power or switching the input signal.

18 POWER SAVE

Set the time period to activate the power saving mode.

For details on the power saving function, see “Turning Off the Power Automatically When There Is No Input Signal (Power Saving Function)” on page 30(EN).

19 LANGUAGE

Select the on-screen language among five languages.

Available languages are: English, German, French, Italian and Spanish.

For details on selecting the language, see “Selecting the On-screen Language” on page 31(EN).

Using On-screen Menus

MEMORY menu

This menu is used for saving or recalling the settings in the PIC CONTROL, PIC SIZE and CONFIG (only for V ENHANCE and H FILTER) menus.



For details, see “Using the Memory” on page 28(EN).

20 LOAD

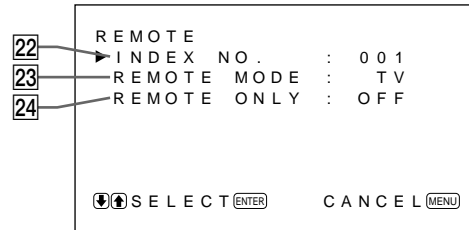
Recalls the preset settings.

21 SAVE

Saves the settings.

REMOTE menu

This menu is used for the remote control setting.



22 INDEX NO.

Sets the index number of the monitor.

Note

When you set the number, use the buttons on the monitor.

For details on the index number, see “Operating a Specific Monitor With the Remote Commander” on page 32(EN).

23 REMOTE MODE

Select the Remote Commander mode.

TV: Sony monitors’ or TVs’ commander

PJ: Sony projectors’ commander

OFF: Disables the remote control.

For details, see “Using the Other Remote Commander” on page 33(EN).

24 REMOTE ONLY

Select ON to disable the front control buttons on the monitor. The monitor can only be controlled with the Remote Commander. While REMOTE ONLY is ON, the indicators on the front panel go off.

To cancel the REMOTE ONLY mode, set REMOTE ONLY to OFF with the Remote Commander, or press the CTRL button while pressing the ⏻ switch. The monitor turns to the standby mode and the REMOTE ONLY mode is canceled.

The setting in this item is still retained when the AC power cord is disconnected.

STATUS menu

This menu is used for displaying the internal condition of the monitor.

25	STATUS	[PFM-500A1WU]
26	SERIAL No.	: 2000001
27	OPERATION	: 000000H
28	SOFTWARE	: Ver 1.00
29	TEMPERATURE	: OK
30	FAN	: OK

25 Model name

Indicates the model name.

26 SERIAL No.

Indicates the serial number.

27 OPERATION

Indicates the total operation hours.

Note

The standby mode is not counted as OPERATION time.

28 SOFTWARE

Indicates the system software version.

29 TEMPERATURE

Indicates whether the internal temperature of the monitor is usual.

OK: Usual

NG: Unusual

When the internal temperature is unusual, NG is displayed and the item flashes in red. The \odot indicator on the control panel also flashes.

Note

The “TEMPERATURE NG” message may appear when the ventilation holes are blocked or the monitor is installed in a poorly ventilated area. In this case, check that the ventilation holes are not blocked and install the monitor in a good ventilated area. If the message still displayed, contact your authorized Sony dealer.

When the \odot indicator flashes or NG indicates, see “Self-diagnosis Function” on page 31(EN).

30 FAN

The cooling fans are built in this monitor. This item indicates whether the cooling fans work properly.

OK: Usual

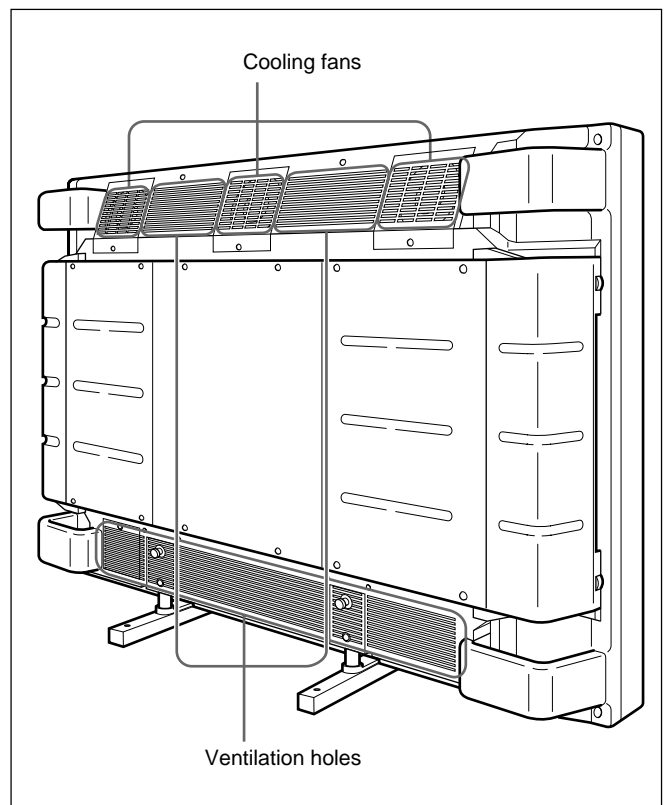
NG: Unusual

When the cooling fans are unusual, NG is displayed and the item flashes in red. The \odot indicator on the control panel also flashes.

Note

When the “FAN NG” message appears, contact your authorized Sony dealer.

When the \odot indicator flashes or NG indicates, see “Self-diagnosis Function” on page 31(EN).



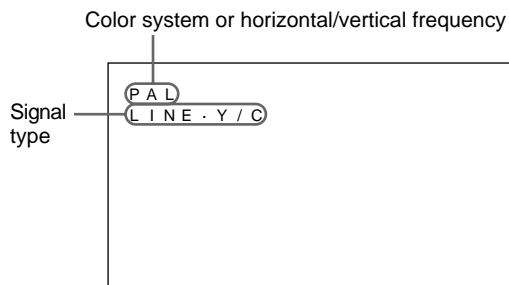
Watching the Picture

Before you start

- Turn on the monitor.
- Turn on the connected equipment and play a video source.
- To display the input signal information on the screen when turning on the power or switching the input signal, set “DISPLAY” in the CONFIG menu to ON.
- To select the on-screen language used in the menu, see page 31(EN).

Switching the Picture

- 1 Press CTRL on the control panel of the monitor. RGB1, YUV, RGB2, LINE, and Y/C buttons light up.
- 2 Select the input source to be displayed by pressing the following buttons.
 - RGB1:** Selects the audio and video signal input from the RGB1 connectors when the input signal is RGB signal.
 - YUV:** Selects the audio and video signal input from the RGB1 connectors when the input signal is component signal.
 - RGB2:** Selects the audio and video signal input from the RGB2 connectors.
 - LINE:** Selects the audio and video signal input from the VIDEO IN connector and AUDIO IN jack in the LINE connectors.
 - Y/C:** Selects the audio and video signal input from the Y/C IN connector and AUDIO IN jack in the LINE connectors.



The selected input signal appears on the monitor screen.

You can also switch the input signal from the Remote Commander.

Note

We recommend the input source video equipment equipped with the TBC (time base corrector). If you receive the signal without the TBC, the picture may disappear due to disturbance of the sync signal.

Watching a Still Picture

You can freeze the picture with the STILL button on the Remote Commander. To freeze the picture, press the STILL button when the motion picture is displayed.

You can also freeze the picture by simply pressing the **↑** button on the control panel.

To resume the normal screen

- Press the STILL button on the Remote Commander or **↑** button on the control panel again.
- Switch the input signal.

Notes

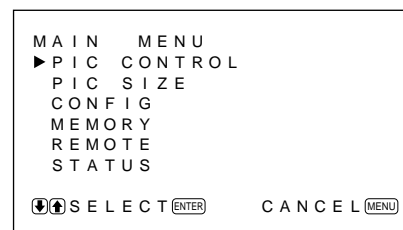
- When operating the menu, the **↑** button functions as for the menu operation.
- The **↑/↓** buttons flash while in the still mode.
- When you set DISPLAY to ON in the CONFIG menu, the “STILL” display appears on the top of the monitor. To clear the display, set DISPLAY to OFF.

Input Signal and Monitor Status Information Display

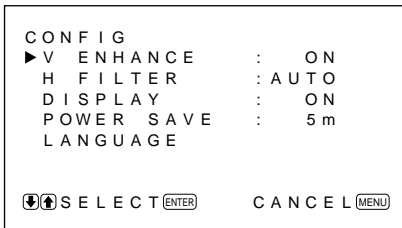
Input signal and monitor status information is displayed on-screen for about five seconds when turning on the power or switching the input signal. To disable this function, follow the steps below.

- 1 Press MENU.

The main menu appears on the monitor screen.



- 2** Press **↑/↓** to move the cursor (▶) to “CONFIG” and press **ENT**.
The CONFIG menu appears on the monitor screen.



- 3** Press **↑/↓** to move the cursor (▶) to “DISPLAY” and press **ENT**.
The following menu appears on the monitor screen.



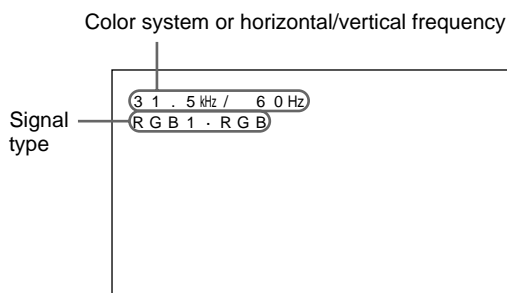
- 4** Press **↑** to set “DISPLAY” to OFF and press **ENT**.
The DISPLAY function is disabled.

To activate the information function, set “DISPLAY” to ON at the step 4 above.

Note

You can display the input signal information anytime by pressing the DISPLAY button on the Remote Commander, regardless of the above setting.

The input signal information list



Input signal	Color system or horizontal/vertical frequency display	
NTSC	NTSC	
PAL	PAL	
VGA ^{a)} (Graphics)	31.5 kHz	60 Hz
VGA (Text)	31.5 kHz	70 Hz
HDTV	33.8 kHz	60 Hz
Mac ^{b)} 13"	35.0 kHz	67 Hz
VESA ^{c)} 800×600	37.9 kHz	60 Hz
VESA 1024×768	48.4 kHz	60 Hz
Mac 16"	49.7 kHz	75 Hz
ATI ^{d)} 1280×1024	64.0 kHz	60 Hz
Mac 21"	68.7 kHz	75 Hz
VESA 1280×1024	80.0 kHz	75 Hz

- a) VGA is a registered trademark of the International Business Machines Corporation, USA.
- b) Mac (Macintosh) is a registered trademark of Apple Computer, Inc.
- c) VESA is a registered trademark of Video Electronics Standard Association.
- d) ATI is a registered trademark of ATI Technologies, Inc.

Note

When inputting the HDTV signal, input the tri-level sync signal to the G/Y IN connector.

Actual on-screen display of the monitor status

On-screen display	Significance
31.5kHz / 60Hz (eg.)	The selected input signal is computer RGB.
525 / 60 (eg.)	The selected input signal is RGB or component video.
NTSC	The selected input signal is NTSC.
PAL	The selected input signal is PAL.
OTHERS	The input signal is out of the capture range.
NO SYNC	There is no input signal.
MUTING	The sound is muted.
RGB1 RGB	The signal mode of RGB1 is set to RGB.
RGB1 YUV	The signal mode of RGB1 is set to component video.
LINE COMP	Composite video input is selected at LINE.
LINE Y/C	Y/C video input is selected at LINE.
STILL	The picture is frozen.

Adjusting the Picture

While watching the picture, you can adjust contrast, brightness, chroma, and phase to suit your taste. The adjustments can be carried out for each input signal separately. You can also store the adjusted levels in memory.

Adjusting the Contrast, Brightness, Chroma, and Phase

Press MENU so that the main menu appears on the monitor screen and select the “CONTRAST”, “BRIGHTNESS”, “CHROMA”, or “PHASE” from the PIC CONTROL menu with the **↑/↓** buttons.

CONTRAST

Select the “CONTRAST” with the **↑/↓** buttons and press the ENT button.

Adjust the contrast with the **↑/↓** buttons in the range from MIN (0) to MAX (+100).

↑: to increase picture contrast

↓: to decrease picture contrast

BRIGHTNESS

Select the “BRIGHTNESS” with the **↑/↓** buttons and press the ENT button.

Adjust the brightness with the **↑/↓** buttons in the range from MIN (-50) to MAX (+50).

↑: to make overall picture greenish

↓: to make overall picture purplish

CHROMA

Select the “CHROMA” with the **↑/↓** buttons and press the ENT button.

Adjust the chroma with the **↑/↓** buttons in the range from MIN (-50) to MAX (+50).

↑: to increase color intensity

↓: to decrease color intensity

PHASE

Select the “PHASE” with the **↑/↓** buttons and press the ENT button.

Adjust the phase with the **↑/↓** buttons in the range from MIN (-50) to MAX (+50).

↑: to make overall picture greenish

↓: to make overall picture purplish

Notes

- CHROMA and PHASE controls do not function with RGB signal.
- PHASE control does not function with component signal.
- PHASE control does not function with PAL color source.
- Do not change the CHROMA/PHASE (NTSC only) level when the selected signal is not NTSC or PAL. Although it gives no effect to the current picture, it does affect the picture of the NTSC or PAL signal which is input later.

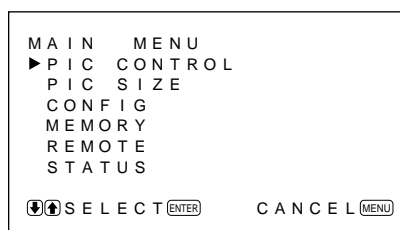
Emphasizing the Contrast of the Picture (Picture AGC Function)

When the intensity of the picture is low, this function works to improve the contrast automatically.

Turn on this function when the image source is dark.

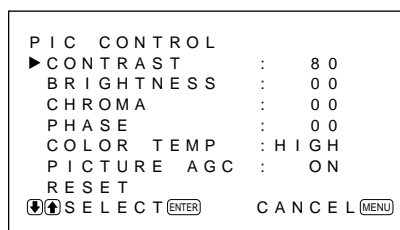
1 Press MENU.

The main menu appears on the monitor screen.



2 Press **↑/↓** to move the cursor (▶) to “PIC CONTROL” and press ENT.

The PIC CONTROL menu appears on the monitor screen.



- 3** Press **↑/↓** to move the cursor (▶) to “PICTURE AGC” and press ENT.

The following menu appears on the monitor screen.



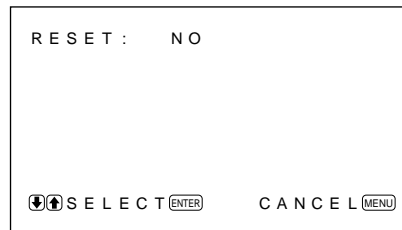
- 4** Press **↑/↓** to set “PICTURE AGC” to ON.

- 5** Press ENT.

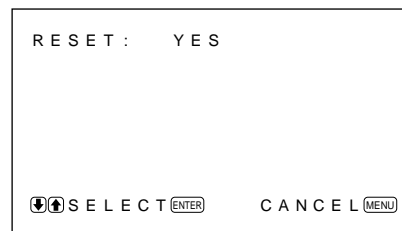
The menu returns to the PIC CONTROL menu.

Restoring the PIC CONTROL Menu Items to Original Settings

- 1** In the PIC CONTROL menu, Press **↑/↓** to move the cursor (▶) to “RESET” and press ENT. The following menu appears on the monitor screen.



- 2** Press **↑/↓**.
“NO” changes to “YES.”



- 3** Press ENT.
The PIC CONTROL menu items are restored.

To cancel the reset function, press the MENU button before pressing the ENT button.

Zooming, Resizing, and Positioning the Picture

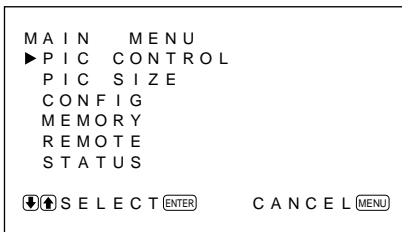
You can shift the position of the picture so that it fits in the screen, or adjust the vertical and horizontal size of the picture separately.

You can zoom up the picture making it two, three, or four times as large as the original size.

Resizing the Picture

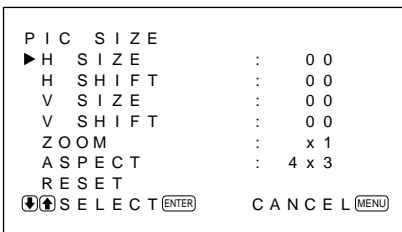
- 1 Press MENU.

The main menu appears on the monitor screen.



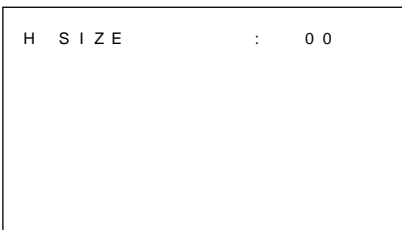
- 2 Press \uparrow/\downarrow to move the cursor (▶) to “PIC SIZE” and press ENT.

The PIC SIZE menu appears on the monitor screen.



- 3 Press \uparrow/\downarrow to move the cursor (▶) to “H SIZE” and press ENT.

The following menu appears on the monitor screen.



- 4 Press \uparrow/\downarrow to resize the picture.

\uparrow : to expand horizontal size
 \downarrow : to reduce horizontal size

The horizontal picture size is indicated on the monitor screen in the range from MIN(-50) to MAX(+50). The factory value is 00.

- 5 Press ENT.

The menu returns to the PIC SIZE menu.

- 6 Press \uparrow/\downarrow to move the cursor (▶) to “V SIZE” and press ENT.

The following menu appears on the monitor screen.



- 7 Press \uparrow/\downarrow to resize the picture.

\uparrow : to expand vertical size

\downarrow : to reduce vertical size

The vertical picture size is indicated on the monitor screen from MIN(-50) to MAX(+50). The factory value is 00.

- 8 Press ENT.

The menu returns to the PIC SIZE menu.

Adjusting the Picture Position

- 1 In the PIC SIZE menu, press \uparrow/\downarrow to move the cursor (▶) to “H SHIFT” and press ENT.

The following menu appears on the monitor screen.



- 2 Press \uparrow/\downarrow to shift the picture.

\uparrow : to shift the picture to the right

\downarrow : to shift the picture to the left

The horizontal picture position is indicated on the monitor screen from MIN(-50) to MAX(+50). The factory value is 00.

- 3 Press ENT.

The menu returns to the PIC SIZE menu.

- 4** Press **↑/↓** to move the cursor (▶) to “V SHIFT” and press ENT.

The following menu appears on the monitor screen.



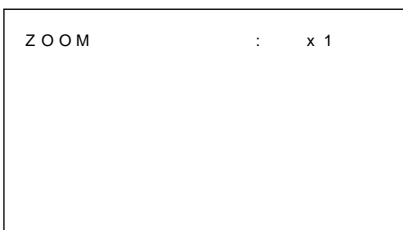
- 5** Press **↑/↓** to shift the picture.
↑: to shift the picture upward
↓: to shift the picture downward
The vertical picture position is indicated on the monitor screen from MIN(-50) to MAX(+50). The factory value is 00.

- 6** Press ENT.
The menu returns to the PIC SIZE menu.

Zooming Up the Picture

You can also operate with the ZOOM button on the Remote Commander.

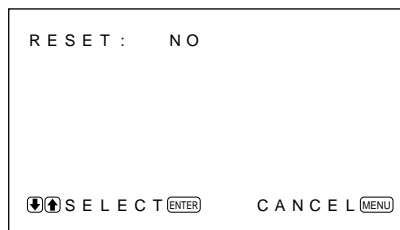
- 1** In the PIC SIZE menu, press **↑/↓** to move the cursor (▶) to “ZOOM” and press ENT.
The following menu appears on the monitor screen.



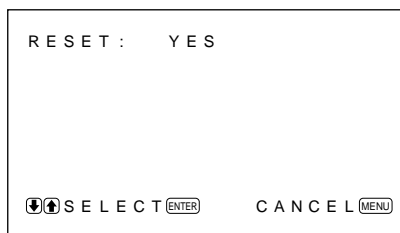
- 2** Press **↑/↓** to set zoom.
Each time you press **↑**, the picture is magnified by two, three, and four times respectively.
To zoom down, press **↓**.
- 3** Press ENT.
The menu returns to the PIC SIZE menu.

Restoring the Original Picture Size and Position

- 1** In the PIC SIZE menu, press **↑/↓** to move the cursor (▶) to “RESET” and press ENT.
The following menu appears on the monitor screen.



- 2** Press **↑/↓**.
“NO” changes to “YES.”



- 3** Press ENT.
The original picture size and position are restored.

To cancel the reset function, press the MENU button before pressing the ENT button.

Using the Memory

You can save the current picture condition by each input signal using MEMORY function.

The saved condition can be restored whenever necessary.

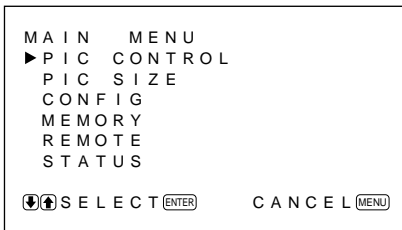
The items in PIC CONTROL, PIC SIZE and CONFIG (only for V ENHANCE and H FILTER) menus can be memorized.

You can save the picture condition of up to five input signals.

Storing the Current Condition

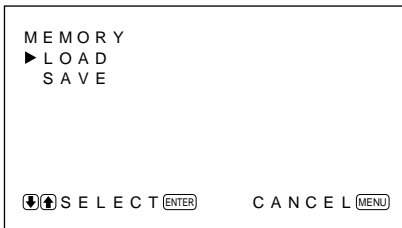
1 Press MENU.

The main menu appears on the monitor screen.



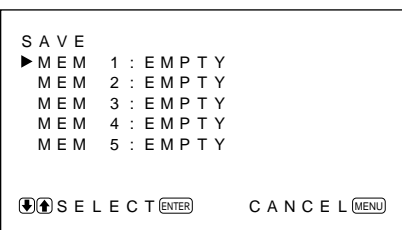
2 Press ↑/↓ to move the cursor (▶) to “MEMORY” and press ENT.

The MEMORY menu appears on the monitor screen.



3 Press ↑/↓ to move the cursor (▶) to “SAVE” and press ENT.

The following menu appears on the monitor screen.

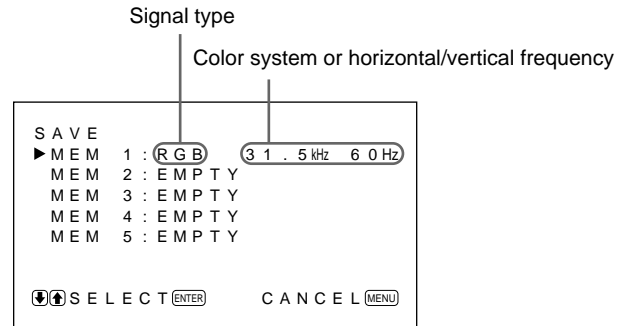


4 Press ↑/↓ to move the cursor (▶) to MEM 1 to 5 and press ENT.

“COMPLETED” message appears for about five seconds.

The current data is stored under the selected memory number.

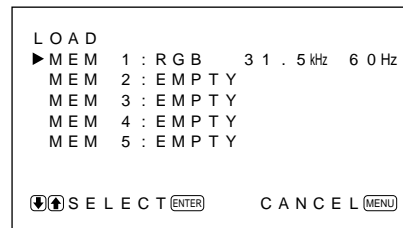
If any data has been stored in the selected memory number, the signal type and the color system or horizontal frequency/vertical frequency are now displayed on the right column next to the selected memory number.



Calling Up the Stored Condition

1 In the MEMORY menu, press ↑/↓ to move the cursor (▶) to “LOAD” and press ENT.

The following menu appears on the monitor screen.



2 Press ↑/↓ to move the cursor (▶) to MEM 1 to 5 and press ENT.

“COMPLETED” message appears for about five seconds.

The picture is adjusted to the selected condition.

Notes

- You cannot recall the memory data if the selected signal is different from the preset signal.
- The following items can be memorized:

PIC CONTROL menu

- CONTRAST
- BRIGHTNESS
- CHROMA
- PHASE
- COLOR TEMP
- PICTURE AGC

PIC SIZE menu

- H SIZE
- H SHIFT
- V SIZE
- V SHIFT
- ZOOM
- ASPECT

CONFIG menu

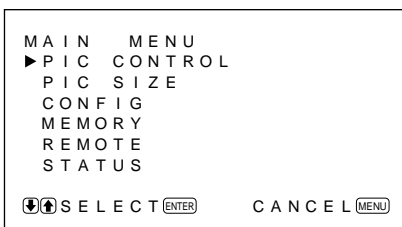
- V ENHANCE
- H FILTER

Turning Off the Power Automatically When There Is No Input Signal (Power Saving Function)

This unit automatically turns off the power after certain period if there is no input signal from the RGB1 or RGB2 connectors. (Power saving function)

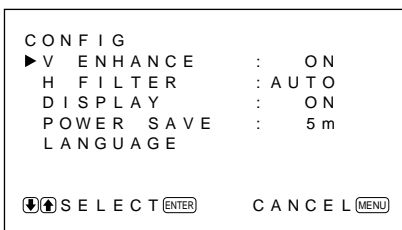
1 Press MENU.

The main menu appears on the monitor screen.



2 Press ↑/↓ to move the cursor (▶) to “CONFIG” and press ENT.

The CONFIG menu appears on the monitor screen.



3 Press ↑/↓ to move the cursor (▶) to “POWER SAVE” and press ENT.

The following menu appears on the monitor screen.



4 Press ↑/↓ to select the period to turn into the power saving mode.

OFF: The power saving function does not work.

5 m: Turn into the power saving mode after five minutes if there is no input signal.

10 m: Turn into the power saving mode after 10 minutes if there is no input signal.

The power indicator flashes when the unit is in the power saving mode.

To cancel the power saving function

- Input the sync signal again.
- Press the ⏻ switch on the control panel or the POWER switch on the Remote Commander.

Signal specification for using the power saving function

RGB1: When the sync signal is connected to the HD/COMP IN connector.

RGB2: When the sync signal is connected to the 13th pin of the RGB IN (D-sub 15-pin) connector.

Notes

- The power saving function does not work when the signal is input from the LINE connectors.
- If the sync signal is not connected to the HD/COMP IN connector, the unit does not turn on even if the sync signal is input. Be sure to set POWER SAVE to OFF when only the RGB signal or component signal is connected.
- If the sync signal is not connected to the 13th pin of the RGB IN (D-sub 15-pin) connector, the unit does not turn on even if the sync signal is input. Be sure to set POWER SAVE to OFF when only the RGB signal is connected.

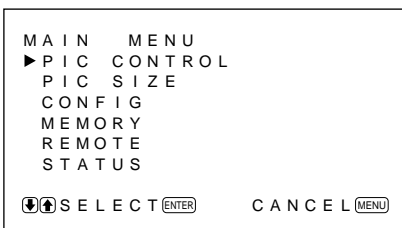
Selecting the On-screen Language

You can select the on-screen language among five languages.

Available languages are: English, German, French, Italian and Spanish.

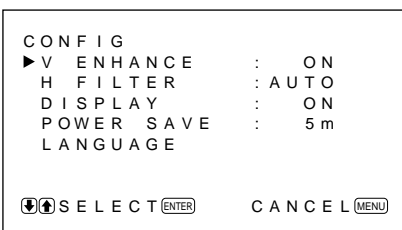
1 Press MENU.

The main menu appears on the monitor screen.



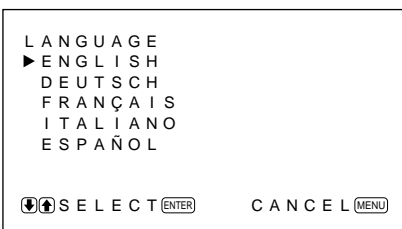
2 Press ↑/↓ to move the cursor (▶) to “CONFIG” and press ENT.

The CONFIG menu appears on the monitor screen.



3 Press ↑/↓ to move the cursor (▶) to “LANGUAGE” and press ENT.

The following menu appears on the monitor screen.



4 Press ↑/↓ to move the cursor (▶) to desired language and press ENT.

The on-screen language is switched to the one you selected.

ENGLISH: English

DEUTSCH: German

FRANÇAIS: French

ITALIANO: Italian

ESPAÑOL: Spanish

5 Press MENU.

The menu returns to the CONFIG menu.

Self-diagnosis Function

The unit has a self-diagnosis function.

This function displays the monitor's condition with the ⏻ indicator flashing and numbers on the SERVICE CODE indicator. The numbers inform you of the monitor's current condition.

When the unit is working properly, only the dot at the lower-right position on the SERVICE CODE indicator flashes.

If the ⏻ indicator flashes, check the number and contact your authorized Sony dealer.

1 Check the two-digit number on the SERVICE CODE indicator.

The indicator shows one number, or multiple numbers alternately every a half second.

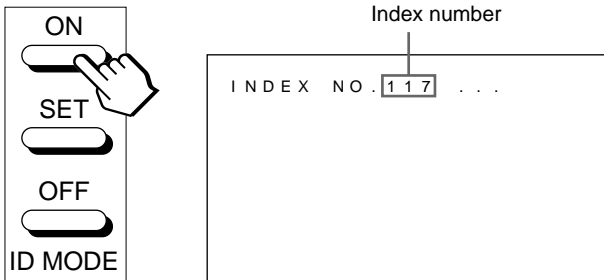
2 Unplug the unit.

Inform the number to your authorized Sony dealer.

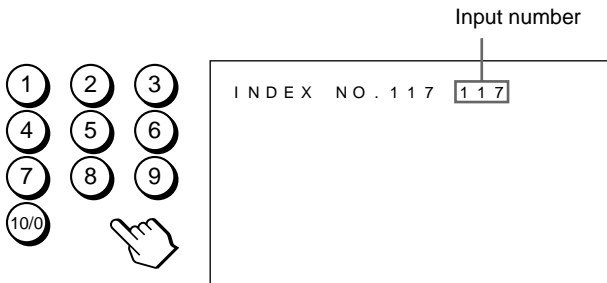
Operating a Specific Monitor With the Remote Commander

Using the supplied Remote Commander, you can operate a specific monitor without affecting other monitors that are installed together.

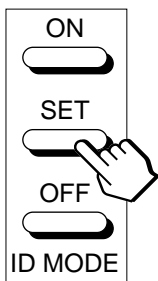
- 1 Press ID MODE ON on the Remote Commander. Monitor index numbers appear in white characters on all the monitors. (Every monitor is allocated an individual preset index number from 1 to 255.) See “To change the index number” in the column to the right on this page to change the index number.



- 2 Input the index number of the monitor you want to operate using 0 – 9 buttons on the Remote Commander. The input number appears right next to each monitor’s own index number.

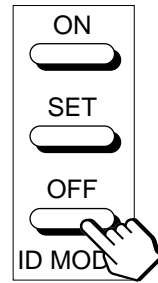


- 3 Press ID MODE SET. The character on the selected monitor changes to cyan while others change to red.



You can operate only a specified monitor. (All operations are available in ID mode except POWER ON/OFF.)

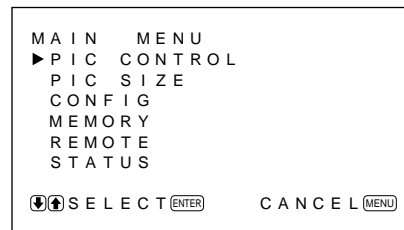
- 4 After necessary adjustment, press ID MODE OFF. The monitor returns to the normal mode.



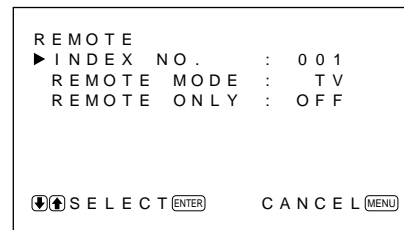
To change the index number

You can change the index number if necessary. When you change the number, use the buttons on the monitor.

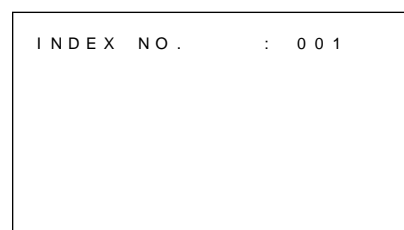
- 1 Press MENU. The main menu appears on the monitor screen.



- 2 Press ↑/↓ to move the cursor (▶) to “REMOTE” and press ENT. The REMOTE menu appears on the monitor screen.



- 3 Press ↑/↓ to move the cursor (▶) to “INDEX NO.” and press ENT. The following menu appears on the monitor screen.



- 4 Select the index number with ↑/↓ and press ENT. The menu returns to the REMOTE menu.

Using the Other Remote Commander

The following operations can be controlled.

- Power on/off
- Input selection
- Menu operations
- Picture adjustments: contrast, phase and chroma
- On-screen display on/off (only for video monitors and TVs)

The available operations and the buttons to be used for each operation are limited depending on each Remote Commander. See the table below.

Remote Commander model		RM-854	RM-1271	RM-PJ1292	RM-PJ1000
REMOTE MODE setting		TV	PJ	PJ	PJ
Input selection	RGB1	RGB	A	A	A
	RGB 2	—	B	B	B
	LINE	LINE1	VIDEO	VIDEO	VIDEO
Menu operation	MENU	MENU	PAGE or ←	PAGE or ←	MENU or ←
	ENTER	ENTER	→	→	ENTER or →
	+	+	↑	↑	↑
	–	–	↓	↓	↓
Picture adjustment	Contrast	CONTRAST+/-	CONTR+/-	CONTR+/-	CONTR+/-
	Chroma	CHROMA+/-	COLOR+/-	COLOR+/-	COLOR+/-
	Phase	PHASE+/-	HUE+/-	HUE+/-	HUE+/-
On-screen information		DISPLAY	—	STATUS ON	STATUS ON

Specifications

Video processing

Capture range	Horizontal rate: 15.6 to 80 kHz Vertical rate: 48 to 120 Hz
Preset signal	Input: 12 formats (See page 23(EN))
Video memory	1,152 × 1,152 × 24 bits (RGB total)
Sampling rate	12.5 to 40 MHz offset phase max. (equivalent to 80 MHz sampling)
Panel system	AC-type Plasma Display Panel
Display resolution	852 dots × 480 lines
Pixel pitch	1.08(horizontal) × 1.08(vertical) mm ($\frac{1}{16} \times \frac{1}{16}$ inches)
Picture size	920 (horizontal) × 518 (vertical) mm (36 $\frac{1}{4}$ × 20 $\frac{1}{2}$ inches)
Panel size	42-inch (diagonal 1,056 mm)

Inputs and Outputs

RGB1

R (R-Y)/ G (Y)/B (B-Y) IN	BNC-type (×3) 0.714 Vp-p/non-composite 75-ohm (automatic termination) 1 Vp-p/composite 75-ohm (automatic termination)
---------------------------	---

SYNC IN(HD/COMP, VD)	BNC-type (×2) H (or composite) SYNC, V SYNC, 1 to 5 Vp-p high impedance
----------------------	---

AUDIO IN (L, R)	Phono jack (×2) 500 mVrms, high impedance
-----------------	--

R (R-Y)/ G (Y)/B (B-Y) OUT	BNC-type (×3) Loop-through
SYNC OUT (HD/COMP, VD)	BNC-type (×2) Loop-through H (or composite) SYNC, V SYNC

AUDIO OUT (L, R)	Phono jack (×2) Loop-through
------------------	------------------------------

RGB2

RGB IN	D-sub 15-pin See "Pin assignment" on page 35(EN).
AUDIO IN (L, R)	Phono jack (×2) 500 mVrms, high impedance

LINE (NTSC, PAL)

VIDEO IN	BNC-type (×1) Composite video, 1 Vp-p ±2 dB sync negative, 75-ohm (automatic termination)
Y/C IN	Mini DIN 4-pin type (×1) Y (luminance): 1 Vp-p ±2 dB sync negative, 75-ohm (automatic termination) C (chrominance): Burst 0.286 Vp-p ±2 dB (NTSC), 75-ohm (automatic termination) Burst 0.3 Vp-p ±2 dB (PAL) 75-ohm (automatic termination)
AUDIO IN (L, R)	Phono jack (×2) 500 mVrms, high impedance

VIDEO OUT	BNC-type (×1) Loop-through
Y/C OUT	Mini DIN 4-pin type (×1) Loop- through

AUDIO OUT (L, R) (Variable output)	Phono jack (×2) Loop-through
------------------------------------	------------------------------

MONITOR OUT AUDIO (L, R)	Phono jack (×2) Maximum 500 mVrms, high impedance
--------------------------	---

CONTROL S (IN, OUT)	Mini jack (stereo) (×2) 5 Vp-p
---------------------	-----------------------------------

SPEAKERS	6 to 16 ohms, 7 W + 7 W (when the impedance is 8 ohms)
----------	---

General

Power requirements	100 to 120 V AC, 50/60 Hz, 3.9 A/380 W 220 to 240 V AC, 50/60 Hz, 2.0 A/360 W
--------------------	--

Operating conditions	Temperature: 0°C to 35°C (32°F to 95°F) Humidity: 20% to 90% (no condensation) Atmospheric pressure: 700 to 1060 hPa
----------------------	---

Storing/transporting conditions

Temperature: -10°C to $+40^{\circ}\text{C}$
(14°F to 104°F)

Humidity: 20% to 90% (no condensation)

Atmospheric pressure: 700 to 1060 hPa

Dimensions

$1036 \times 636 \times 152$ mm
($40 \frac{7}{8} \times 25 \frac{1}{8} \times 6 \frac{1}{8}$ inches) (w/h/d)

Mass

47 kg (103 lb 10 oz)

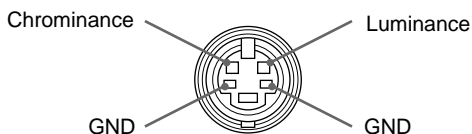
Supplied accessories

- AC power cord (1)
- AC plug holder (1)
- Remote Commander RM-921 (1)
- Size AA (R6) batteries (2)
- Ferrite core (2)
- Foot support bracket (2)
- Screws for foot support bracket (6)
- Monitor stabilizer (2)
- Operating instructions (1)

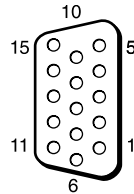
Design and specifications are subject to change without notice.

Pin assignment

Y/C jack (Mini DIN 4-pin)



RGB IN connector (D-sub 15-pin)



Pin No.	Signal
1	Red video or R-Y
2	Green video or Y
3	Blue video or B-Y
4	Ground
5	Ground
6	Red ground
7	Green ground
8	Blue ground
9	Not used
10	Ground
11	Ground
12	SDA
13	H sync or composite sync
14	V sync
15	SCL

AVERTISSEMENT

Pour prévenir tout risque d'incendie ou d'électruction, garder cet appareil à l'abri de la pluie et de l'humidité.

De dangereuses hautes tensions circulent à l'intérieur de cet appareil. N'ouvrez pas le châssis.

Confiez-en l'entretien exclusivement à un personnel qualifié.

Pour les utilisateurs au Canada

Cet appareil est numérique de la classe A est conforme à la norme NMB-003 du Canada.

Pour les utilisateurs en Europe

Il s'agit d'un produit de Classe A. Dans un environnement domestique, cet appareil peut provoquer des interférences radio, dans ce cas l'utilisateur peut être amené à prendre des mesures appropriées.

Aux utilisateurs de PFM-500A1E

CET APPAREIL DOIT ETRE RACCORDE ALA TERRE

IMPORTANT

Les couleurs des conducteurs de cordon d'alimentation secteur correspondent au code suivant:

Vert-et-jaune : **Terre**
Bleu : **Neutre**
Brun : **Phase d'alimentation**

Comme ces couleurs peuvent différer des repères colorés figurant sur votre prise, procéder comme suit:

Le fil vert-et-jaune doit être connecté à la borne repérée par la lettre E, par le symbole \perp de terre, ou par la couleur verte ou verte-et-jaune.

Le fil bleu doit être connecté à la borne repérée par la lettre N ou par la couleur noire.

Le fil brun doit être connecté à la borne repérée par la lettre L ou par la couleur rouge.

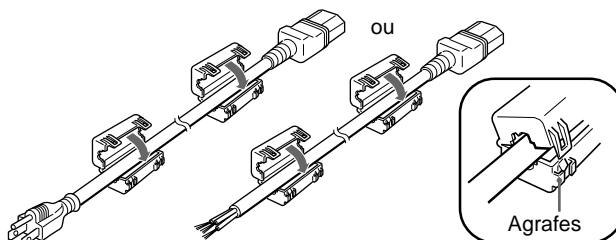
La prise doit être près de l'appareil et facile d'accès.

Remarque

Si vous raccordez un ordinateur à ce moniteur, attachez les tores de ferrite fournies. Si vous ne le faites pas, ce moniteur ne satisfera pas aux normes FCC/IC/CE (EN55022) obligatoires.

Fixation des tores de ferrite

Ajustez les tores de ferrite aux deux extrémités du cordon d'alimentation secteur. Refermez correctement le couvercle jusqu'à ce que les agrafes s'encliquettent.



Précautions	4 (F)
Caractéristiques	5 (F)
Emplacement et fonction des pièces et commandes	6 (F)
Avant / Côtés	6 (F)
Panneau de commande	8 (F)
Panneau du connecteur droit	9 (F)
Panneau du connecteur gauche	11 (F)
Télécommande RM-921	12 (F)
Installation	14 (F)
Utilisation des pieds rétractables	14 (F)
Attention	15 (F)
Raccordements	16 (F)
Raccordement de la prise d'alimentation secteur	16 (F)
Exemple de raccordement	17 (F)
Utilisation des menus d'affichage	18 (F)
Exploitation des menus	18 (F)
Guide de menu	18 (F)
Visualisation de l'image	22 (F)
Commutation de l'image	22 (F)
Visualisation d'un arrêt sur image	22 (F)
Affichage du signal d'entrée et des données d'état du moniteur	22 (F)
Réglage de l'image	24 (F)
Réglage du contraste, de la luminosité, de l'intensité des couleurs et de la phase	24 (F)
Accentuation du contraste de l'image (Fonction Picture AGC)	24 (F)
Restauration des réglages par défaut des options du menu CTRL IMAGE	25 (F)
Zoom, redimensionnement et repositionnement de l'image	26 (F)
Réglage de la taille de l'image	26 (F)
Réglage de la position de l'image	26 (F)
Zoom de l'image	27 (F)
Restauration de la taille et de la position originales de l'image	27 (F)
Utilisation de la mémoire	28 (F)
Mémorisation des réglages sélectionnés	28 (F)
Restauration des réglages sauvegardés	28 (F)
Coupure d'alimentation automatique en cas d'absence de signal d'entrée (Fonction d'économie d'énergie)	30 (F)
Sélection de la langue d'affichage à l'écran	31 (F)
Fonction d'auto-diagnostic	31 (F)
Utilisation d'un moniteur spécifique avec la télécommande	32 (F)
Utilisation de l'autre télécommande	33 (F)
Spécifications	34 (F)

Précautions

Sécurité

- Faites fonctionner l'appareil sur une tension de 100 à 120 V CA ou 220 à 240 V CA.
- La plaquette signalétique indiquant la tension de fonctionnement, la consommation électrique, etc. est située à l'arrière de l'appareil.
- Si des objets solides ou des liquides pénètrent à l'intérieur du châssis, débranchez le moniteur et faites-le vérifier par un personnel qualifié avant de le remettre en service.
- Débranchez le cordon de la prise si vous prévoyez de ne plus utiliser le moniteur pendant quelques jours ou plus.
- Pour débrancher le cordon, tirez-le par la fiche. Ne tirez jamais sur le cordon proprement dit.
- Si l'appareil est installé sur le sol, utilisez les pieds rétractables.

Installation

- Veillez à assurer une circulation d'air adéquate pour éviter une surchauffe interne de l'appareil. Ne placez pas l'appareil sur des surfaces textiles (tapis, couvertures, etc.) ni à proximité de rideaux ou de draperies susceptibles d'obstruer les orifices de ventilation.
- N'installez pas l'appareil à proximité de sources de chaleur comme un radiateur ou une bouche d'air chaud, ni dans un endroit exposé au rayonnement solaire direct, à des poussières en excès, à des vibrations ou à des chocs mécaniques.
- Lorsque vous installez plusieurs équipements avec cet appareil Les phénomènes suivants peuvent se produire en fonction de la position de l'appareil et des autres équipements: dysfonctionnement de la télécommande, image parasitée, son parasité.

PDP (Ecran d'affichage à plasma)

- Il se peut qu'il y ait de minuscules points noirs et/ou clairs sur le PDP. Ces points sont normaux.
- N'affichez pas une même image fixe à l'écran pendant une période prolongée. Sinon, une image rémanente risque d'apparaître sur une partie de l'écran étant donné que la luminosité d'une partie de l'image devient forte en raison de l'affichage prolongé de l'image. Utilisez éventuellement un économiseur d'écran pour égaliser l'affichage sur écran.

Nettoyage

Pour garder à l'appareil l'aspect du neuf, nettoyez-le régulièrement à l'aide d'une solution détergente douce. N'utilisez jamais de solvants tels que de l'alcool ou de l'essence ni de nettoyeurs abrasifs sous peine de ternir le fini de l'appareil. Par mesure de sécurité, débranchez l'appareil avant de le nettoyer.

Remballage

Conservez le carton d'emballage et les matériaux de conditionnement car ils constituent une protection idéale en vue du transport de l'appareil. Lors du transport de l'appareil, remballiez-le comme illustré sur le carton.

Pour toute question au sujet de cet appareil, consultez un distributeur Sony agréé.

Caractéristiques

Le moniteur 16:9 à panneau plat PFM-500A1WE de 42 pouces recourant à la technologie de l'écran à plasma accepte différents types de signaux grâce au convertisseur à balayage intégré.

Convertisseur à balayage

Cet appareil est en mesure de convertir différents signaux tels que les signaux RVB, composante, composite ou Y/C en format 480 lignes.

L'appareil est capable de convertir un signal d'entrée de basse fréquence en un signal de haute fréquence et d'exécuter des réglages flexibles des images, comme le zoom et l'arrêt sur image.

Commande ID

Vous pouvez utiliser un moniteur spécifique parmi plusieurs types de moniteurs en appliquant la fonction de numéro d'index.

Menus d'affichage sur écran

Vous pouvez procéder aux réglages en utilisant les menus d'affichage.

Control S

Le signal CONTROL S permet la commande à distance de plusieurs moniteurs et d'un magnétoscope via un seul moniteur.

Autres caractéristiques

- Filtre en peigne tridimensionnel pour la séparation NTSC Y/C.
- Filtre en peigne à corrélation de ligne pour la séparation Y/C PAL.
- Jusqu'à zoom $\times 4$.
- Accepte les signaux des télécommandes infrarouges ou filaires Sony utilisant le code SIRCS.
- Trois jeux d'entrée vidéo avec des entrées audio: une entrée vidéo composite ou Y/C, une entrée RVB et une entrée RVB/composante.
- Affiche le signal HDTV avec le signal de synchro à trois niveaux.
- Fonction de mémoire pour l'enregistrement de cinq réglages d'image.
- Détection automatique du signal d'entrée avec indication.
- Compatible avec Windows95¹⁾ PnP (Plug and Play).
- Affichage sur écran en cinq langues pour un accès plus convivial.
- Fonction d'économie d'énergie.
- Fonction d'auto-diagnostic.
- Fonction Picture AGC — cette fonction règle automatiquement et améliore le contraste lorsqu'un signal de faible intensité est entré.

Avertissement sur la connexion électrique

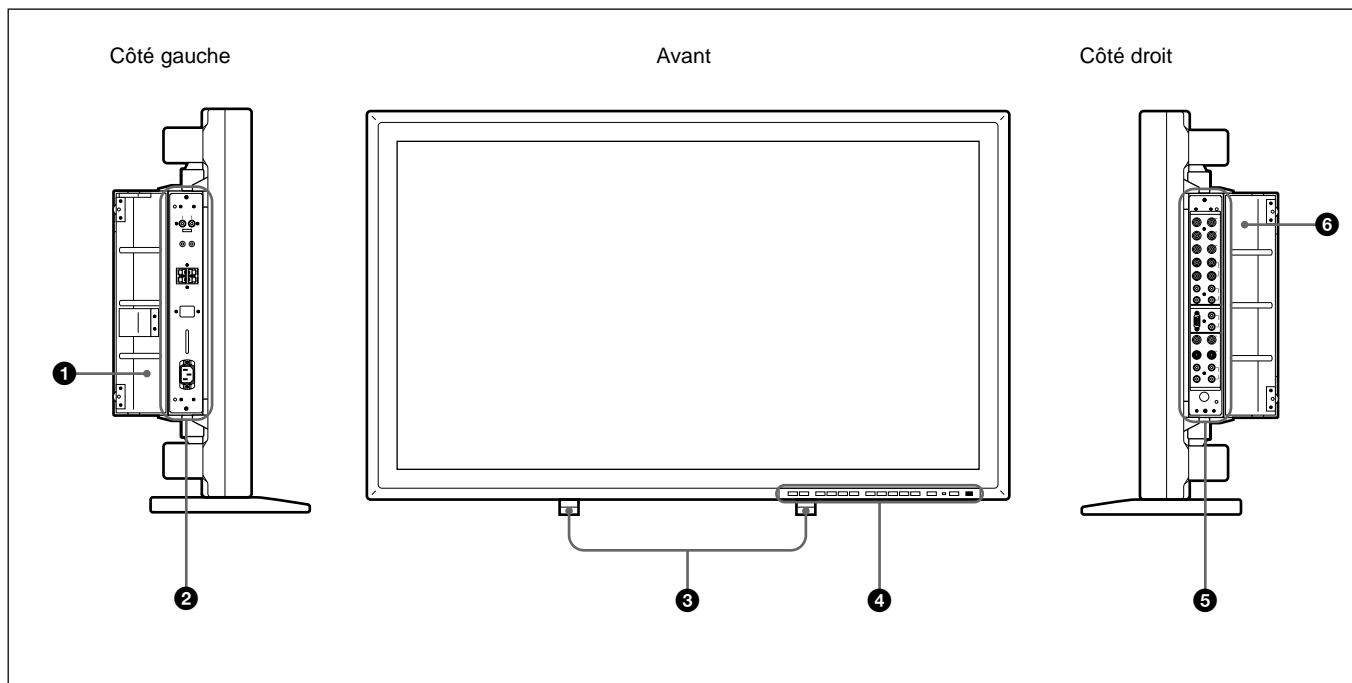
Utilisez un cordon d'alimentation approprié à votre tension secteur locale.

	Etats-Unis, Canada	Europe continentale	Royaume-Uni Irlande, Australie, Nouvelle-Zélande	Japon
Type de fiche	VM0033B	COX-07 636	—	VM1296
Extrémité femelle	VM0113	COX-02 VM0310B	VM0310B	VM1313
Type de cordon	SJT	H05VV-F	CEE (13) 53rd (O.C)	HVCTF
Capacité nominale minimum du cordon	13A/125V	10A/250V	10A/250V	10A/125V
Agréation de sécurité	UL/CSA	VDE	VDE	DENTORI

1) Windows95 est une marque déposée de Microsoft Corporation.

Emplacement et fonction des pièces et commandes

Avant / Côtés



❶ Couvercle du panneau gauche

Ouvrez-le lorsque vous utilisez le panneau du connecteur gauche.

Vous pouvez installer la télécommande à l'arrière de ce couvercle.

Pour plus de détails sur l'ouverture du couvercle du panneau, voir ci-contre.

❷ Panneau du connecteur gauche

Pour plus de détails sur le panneau du connecteur gauche, voir "Panneau du connecteur gauche" à la page 11 (F).

❸ Pieds rétractables

Servent à régler le moniteur au sol.

Pour plus de détails sur l'utilisation des pieds rétractables, voir "Utilisation des pieds rétractables" à la page 14 (F).

❹ Panneau de commande

Pour plus de détails sur le panneau de commande, voir "Panneau de commande" à la page 8 (F).

❺ Panneau du connecteur droit

Pour plus de détails sur le panneau du connecteur droit, voir "Panneau du connecteur droit" à la page 9 (F).

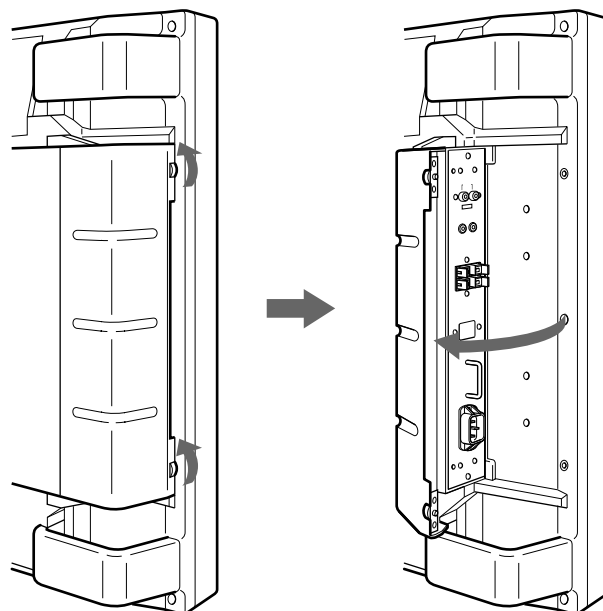
❻ Couvercle du panneau droit

Ouvrez-le lorsque vous utilisez le panneau du connecteur droit.

Pour plus de détails sur l'ouverture du couvercle du panneau, voir ci-contre.

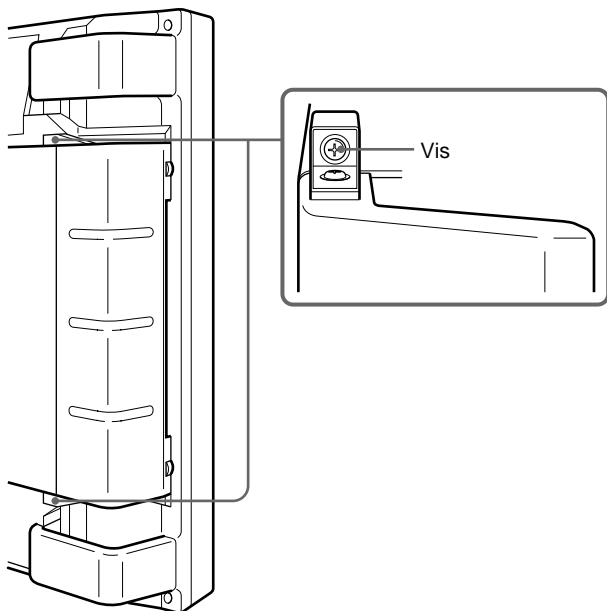
Pour ouvrir le couvercle du panneau

Desserrez les vis en tournant dans le sens antihoraire et ouvrez le couvercle.



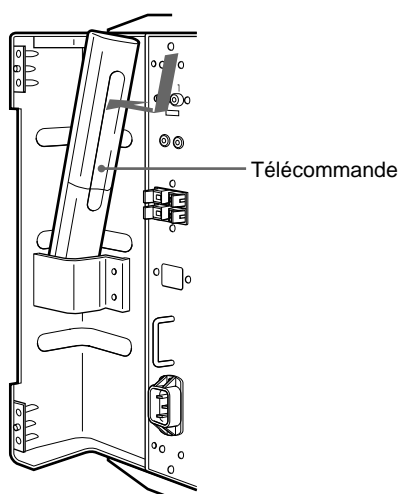
Pour ôter le couvercle du panneau

Desserrez les vis comme illustré ci-dessous et retirez le couvercle du panneau.



Pour installer la télécommande dans le couvercle du panneau

Mettez la télécommande en place à l'arrière du couvercle de panneau gauche comme illustré ci-dessous.

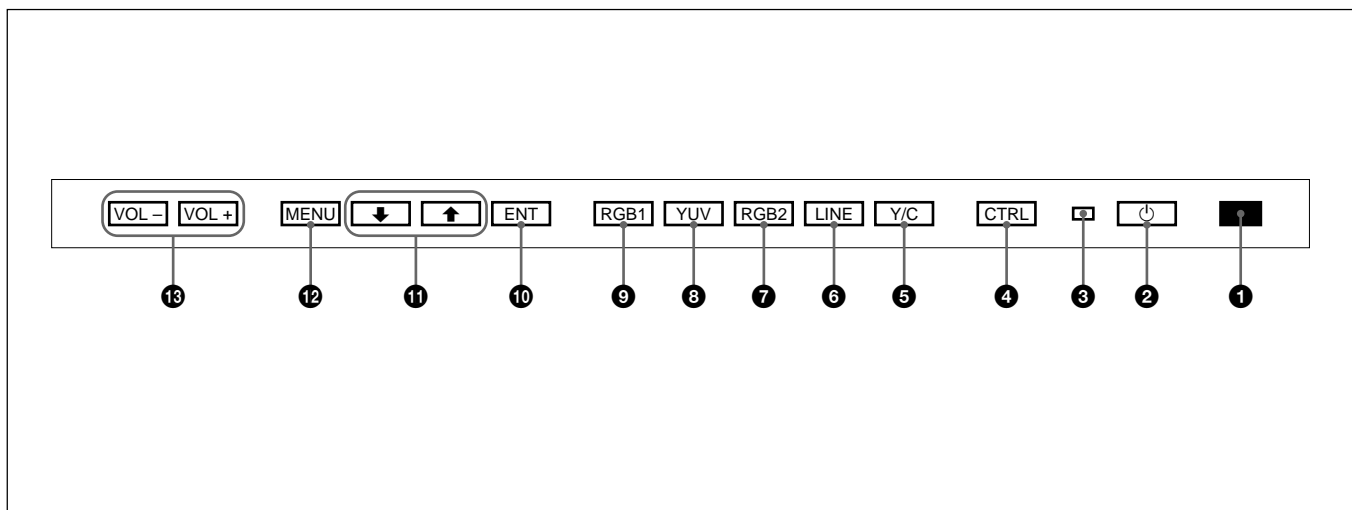


Remarque

Lors du rangement de la télécommande, veillez à ce que le dessus de la télécommande soit tourné vers le haut et que l'arrière soit orienté vers l'extérieur.

Emplacement et fonction des pièces et commandes

Panneau de commande



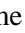
❶ Capteur de télécommande


Capte le faisceau de la télécommande.

❷ Commutateur (veille)/indicateur (veille)

Appuyez pour mettre le moniteur sous tension.

Appuyez de nouveau pour revenir en mode de veille.

L'indicateur  (veille) s'allume en rouge en mode de veille.

Lorsque l'indicateur  clignote, voir "Fonction d'auto-diagnostic" à la page 31 (F).

❸ Indicateur d'alimentation

S'allume lorsque le moniteur est mis sous tension.


Clignote en mode d'économie d'énergie.

Pour plus de détails sur le mode d'économie d'énergie, voir "Coupure d'alimentation automatique en cas d'absence de signal d'entrée (Fonction d'économie d'énergie)" à la page 30 (F).

❹ Touche CTRL (commande)

Pour exploiter les touches du panneau de commande, appuyez tout d'abord sur cette touche. Ensuite, les touches s'allument ou clignent pour indiquer qu'elles peuvent être utilisées. Appuyez de nouveau sur la touche pour les désactiver.

Remarque

Les touches (sauf pour le commutateur ❷  (veille)) du panneau de commande ne fonctionnent pas si vous n'appuyez pas d'abord sur la touche CTRL.

❺ Touche Y/C

Sélectionnez l'entrée du signal à partir de la prise Y/C IN dans les connecteurs LINE.

❻ Touche LINE

Sélectionnez l'entrée de signal à partir du connecteur VIDEO IN dans les connecteurs LINE.

❼ Touche RGB2

Sélectionnez l'entrée du signal à partir des connecteurs RGB2.

❽ Touche YUV

Sélectionnez l'entrée du signal composante à partir des connecteurs RGB1.


❾ Touche RGB1

Sélectionnez l'entrée du signal RVB à partir des connecteurs RGB1.

❿ Touche ENT (entrée)

Appuyez pour sélectionner l'option désirée dans un menu.

⓫ Touche /

Appuyez pour déplacer le curseur () sur une option ou pour régler une valeur d'un menu.

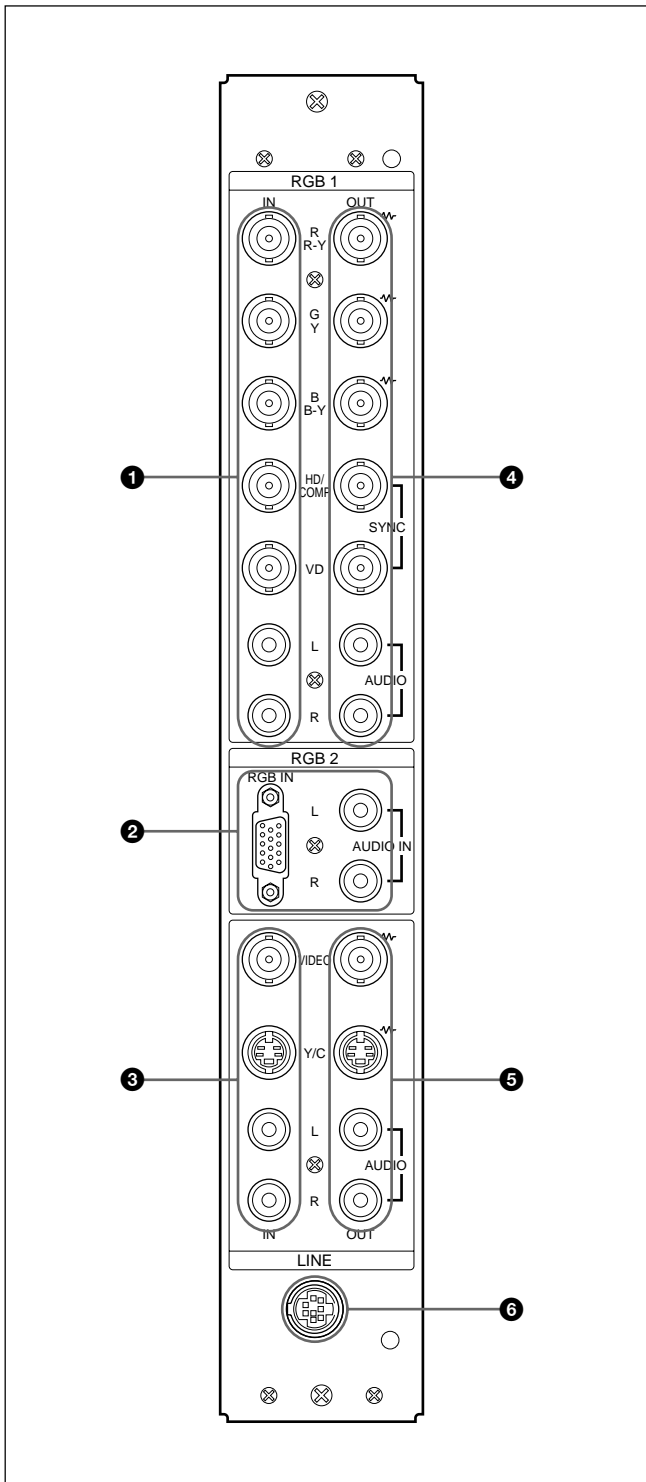
⓬ Touche MENU

Appuyez pour faire apparaître le menu.

⓭ Touches VOL (volume) +/-

Appuyez sur la touche + pour augmenter le volume ou sur la touche - pour diminuer le volume.

Panneau du connecteur droit



1 Connecteurs RGB1 IN

R (R-Y)/G (Y)/B (B-Y) IN (type BNC): Entrez le signal RVB analogique ou le signal composante. Effectuez le raccordement à la sortie du signal RVB ou composante (Y/B-Y/R-Y) d'un ordinateur ou d'un équipement vidéo.

Cet appareil accepte également le signal composante HD (Y/PB/PR). Entrez le signal Pb au connecteur B (B-Y) IN et le signal Pr au connecteur R (R-Y) IN.

HD/COMP IN (type BNC): Entrez le signal de synchro H ou composite. Effectuez le raccordement à la sortie d'un signal de synchro H ou composite d'un ordinateur ou d'un équipement vidéo.

VD IN (type BNC): Entrez le signal de synchro V. Effectuez le raccordement à la sortie du signal de synchro V d'un ordinateur ou d'un équipement vidéo.

Le signal de synchro externe est sélectionné automatiquement. Voir le tableau des priorités ci-dessous.

Connecteur	Signaux de synchro entré d'entrée		
HD/COMP IN	H Sync	Comp Sync	—
VD IN	V Sync	—	—
G(Y) IN	Sync on G	Sync on G	Sync on G
Signaux de synchro à sélectionner	H Sync V Sync	Comp Sync	Sync on G

AUDIO IN (L/R) (type phono): Entrez le signal audio. Effectuez le raccordement à la sortie audio d'un ordinateur ou équipement vidéo. Effectuez le raccordement au canal L lorsque le signal audio est en mono.

2 Connecteurs RGB2 IN

RGB IN (D-sub à 15 broches): Effectuez le raccordement à la sortie du signal RVB d'un ordinateur.

AUDIO IN (L/R) (type phono): Entrez le signal audio. Effectuez le raccordement à la sortie audio d'un ordinateur. Effectuez le raccordement au canal L lorsque le signal audio est en mono.

(Suite)

Emplacement et fonction des pièces et commandes

③ Connecteurs LINE IN

VIDEO IN (type BNC): Effectuez le raccordement à la sortie du signal vidéo composite d'un équipement vidéo.

Y/C IN (mini DIN à 4 broches): Effectuez le raccordement à la sortie du signal Y/C d'un équipement vidéo.

AUDIO IN (L/R) (type phono): Effectuez le raccordement à la sortie audio d'un équipement vidéo. Effectuez le raccordement au canal L lorsque le signal audio est en mono.

④ Connecteurs RGB1 OUT

Ces connecteurs servent de sortie en boucle directe pour les connecteurs RGB1 IN ①.

Lorsque la prise est raccordée aux connecteurs RGB OUT, la terminaison à 75 ohms des connecteurs RGB IN est libérée et l'entrée de signal vers les connecteurs RGB IN est émise à partir de ces connecteurs.

R (R-Y)/G (Y)/B (B-Y) OUT (type BNC): Sorties en boucle directe des connecteurs RGB IN. Effectuez le raccordement à l'entrée de signal RVB ou composante (Y/B-Y/R-Y) d'un autre moniteur.

HD/COMP OUT (type BNC): Sortie en boucle directe du connecteur HD/COMP IN. Effectuez le raccordement à l'entrée du signal de synchro H ou composite d'un autre moniteur.

VD OUT (type BNC): Sortie en boucle directe du connecteur VD IN. Effectuez le raccordement à l'entrée du signal de synchro V d'un autre moniteur.

Remarque

Les connecteurs HD/COMP OUT et VD OUT sont des sorties à haute impédance.

Lorsque vous utilisez ces sorties, il est conseillé de raccorder un moniteur doté d'un connecteur d'entrée de synchro à haute impédance, sinon l'image risque de disparaître en raison de la différence de niveau du signal de synchro.

AUDIO OUT (L/R) (type phono): Sorties en boucle directe des prises AUDIO IN. Effectuez le raccordement aux entrées audio d'un autre moniteur.

⑤ Connecteurs LINE OUT

Ces connecteurs servent de sorties en boucle directe pour les connecteurs ③ LINE IN.

Lorsque la prise est raccordée aux connecteurs VIDEO OUT ou à la prise Y/C OUT, la terminaison à 75 ohms du connecteur VIDEO IN ou de la prise Y/C IN est libérée et le signal entré vers la prise VIDEO IN ou Y/C IN est émis à partir du connecteur VIDEO OUT ou de la prise Y/C OUT.

VIDEO OUT (type BNC): Effectuez le raccordement à l'entrée du signal vidéo composite d'un autre moniteur ou d'un équipement vidéo.

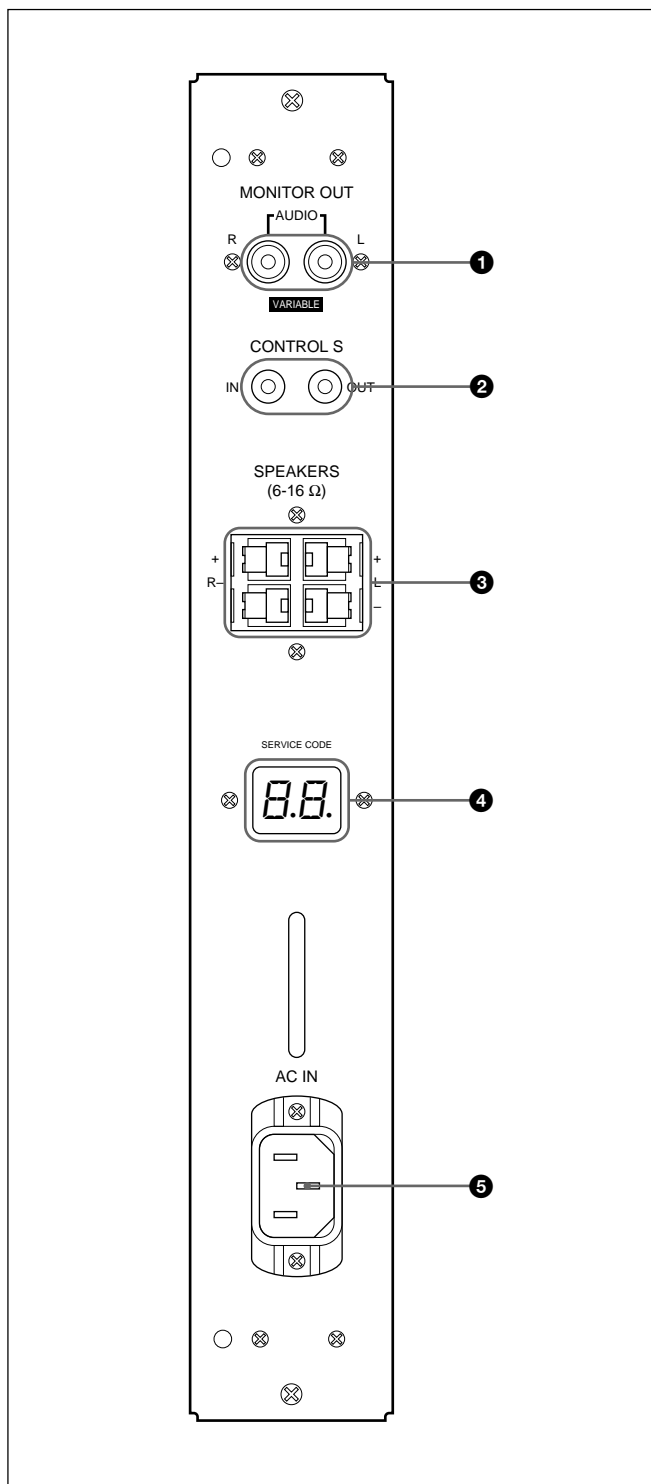
Y/C OUT (mini DIN à 4 broches): Effectuez le raccordement à l'entrée du signal Y/C d'un autre moniteur ou d'un équipement vidéo.

AUDIO OUT (L/R) (type phono): Sorties en boucle directe des prises AUDIO IN. Effectuez le raccordement aux entrées audio d'un autre moniteur ou équipement vidéo.

⑥ Connecteur de service (mini DIN à 8 broches)

Ce connecteur est exclusivement réservé au personnel qualifié.

Panneau du connecteur gauche



❶ Prises MONITOR OUT AUDIO (L/R) (type phono)

Sortez le signal entré par les prises AUDIO IN. Effectuez le raccordement aux entrées audio d'un amplificateur audio (non fourni).

Remarque

Ces prises sont des sorties variables. Mettez le volume au maximum pour régler le niveau de sortie sur 500 mVrms.

❷ Prises CONTROL S IN/OUT (miniprises)

Effectuez le raccordement aux prises CONTROL S de l'équipement vidéo ou d'autres moniteurs. Ce raccordement vous permettra de commander simultanément tous les équipements au départ d'une seule télécommande.

Pour commander l'équipement en orientant la télécommande fournie vers le capteur de télécommande du moniteur, effectuez le raccordement à la prise CONTROL S OUT du moniteur et à la prise CONTROL S IN de l'autre équipement.

Remarques

- Si vous raccordez la prise CONTROL S IN à la prise CONTROL S OUT de l'autre équipement, vous ne pourrez pas utiliser le moniteur avec la télécommande.
- Vous pouvez utiliser le câble stéréo à minifiche au lieu du câble CONTROL S.

❸ Bornes SPEAKERS L/R

Raccordez des haut-parleurs de 6 à 16 ohms d'impédance.

Remarque

Ne raccordez pas en même temps le cordon du haut-parleur au moniteur et à un amplificateur, sinon un courant électrique excessif risque de passer de l'amplificateur et d'endommager le moniteur.

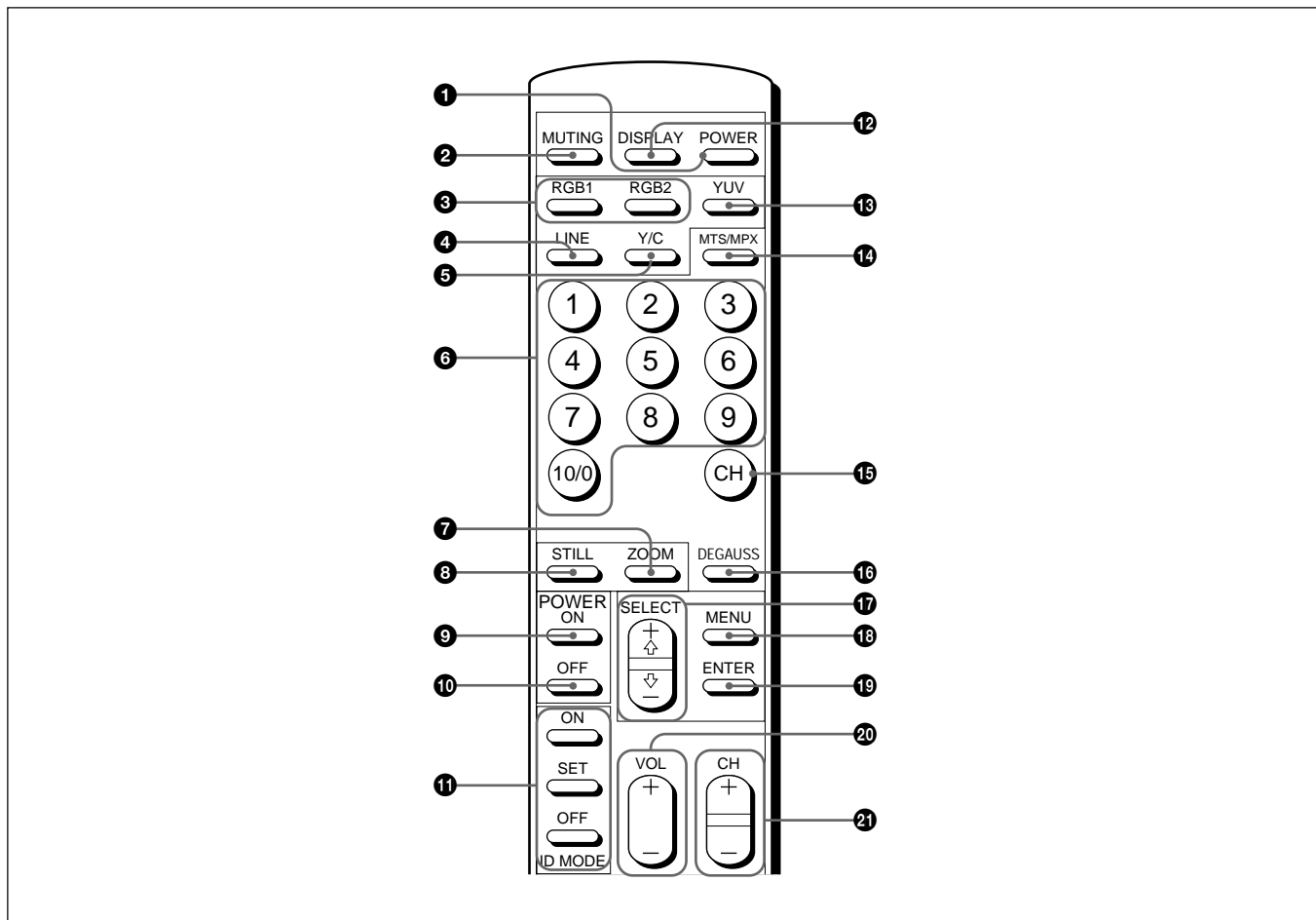
❹ Indicateur SERVICE CODE

Cet indicateur est destiné exclusivement au personnel qualifié.

❺ Prise ~ AC IN

Raccordez le cordon d'alimentation secteur fourni à cette prise et au mur. Dès que vous branchez le cordon d'alimentation secteur, le moniteur passe en mode de veille.

Télécommande RM-921



❶ Commutateur POWER

Appuyez pour mettre le moniteur sous tension.
Appuyez de nouveau pour revenir en mode de veille.

Remarque

Lors de l'utilisation de moniteurs multiples, appuyez sur ce commutateur pour mettre les moniteurs qui sont déjà sous tension en mode de veille ou mettre sous tension les moniteurs en mode de veille.

❷ Touche MUTING

Appuyez pour couper le son. Appuyez de nouveau sur cette touche ou appuyez sur la touche VOL (volume) +/- pour rétablir le son.

❸ Touches RGB1/RGB2

Sélectionnez le signal entré par les connecteurs RGB1 ou RGB2.

❹ Touche LINE

Sélectionne l'entrée de signal à partir du connecteur VIDEO IN dans les connecteurs LINE.

❺ Touche Y/C

Sélectionne le signal entré par la prise Y/C IN des connecteurs LINE.

❻ Touches numériques

Appuyez pour sélectionner le numéro d'index.

❼ Touche ZOOM

Ajuste le zoom. Chaque fois que vous appuyez sur la touche ZOOM, l'image est agrandie de deux, trois et quatre fois respectivement.

❽ Touche STILL

Fixe une image sur l'écran du moniteur. Appuyez de nouveau pour revenir à l'écran normal.

9 Commutateur POWER ON

Appuyez pour mettre le moniteur sous tension. Lorsque vous utilisez plusieurs moniteurs, vous pouvez utiliser ce commutateur au lieu du commutateur 1 POWER pour ne pas affecter un autre moniteur déjà sous tension.

10 Commutateur POWER OFF

Appuyez pour mettre le moniteur en mode de veille. Lorsque vous utilisez plusieurs moniteurs, vous pouvez utiliser ce commutateur au lieu du commutateur 1 POWER pour ne pas affecter d'autres moniteurs déjà sous tension.

11 Touches ID MODE (ON/SET/OFF)

Appuyez sur la touche ON pour faire apparaître un numéro d'index à l'écran. Ensuite, appuyez sur le numéro d'index du moniteur que vous désirez utiliser et appuyez sur la touche SET. Une fois l'opération terminée, appuyez sur la touche OFF pour revenir au mode normal.

12 Touche DISPLAY

Affiche les informations de signal d'entrée en haut de l'écran du moniteur. Appuyez de nouveau pour les faire disparaître.

13 Touche YUV

Sélectionne le signal composante entré par les connecteurs RGB1.

14 Touche MTS/MPX

Cette touche ne fonctionne pas avec le moniteur.

15 Touche CH

Cette touche ne fonctionne pas avec le moniteur.

16 Touche DEGAUSS

Cette touche ne fonctionne pas avec le moniteur.

17 Touches SELECT +↑/−↓

Appuyez pour déplacer le curseur (▶) sur une option ou pour régler une valeur du menu.

18 Touche MENU

Appuyez pour faire apparaître le menu.

19 Touche ENTER

Appuyez pour sélectionner l'option désirée dans un menu.

20 Touches VOL +/-

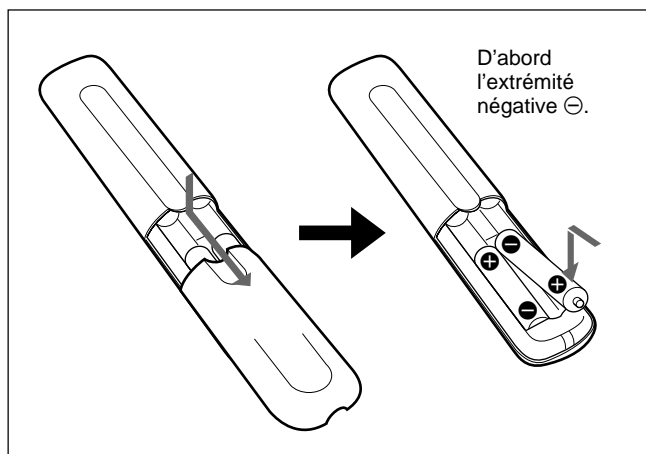
Appuyez sur la touche + pour augmenter le volume ou la touche − pour diminuer le volume.

21 Touches CH +/-

Ces touches ne fonctionnent pas avec le moniteur.


Installation des piles

Introduisez deux piles AA (R6) en respectant la polarité.



- En mode d'utilisation normale, les piles devraient durer environ six mois. Si la télécommande ne fonctionne pas correctement, il est possible que les piles soient épuisées. Les remplacer par des neuves.
- Pour éviter des dommages à la suite d'une fuite des piles, retirez-les de la télécommande si vous prévoyez de ne pas l'utiliser pendant une période prolongée.

Lorsque la télécommande ne fonctionne pas

Vérifier que l'indicateur  s'allume. La télécommande exploite le moniteur uniquement lorsque celui-ci est sous tension ou en mode de veille.

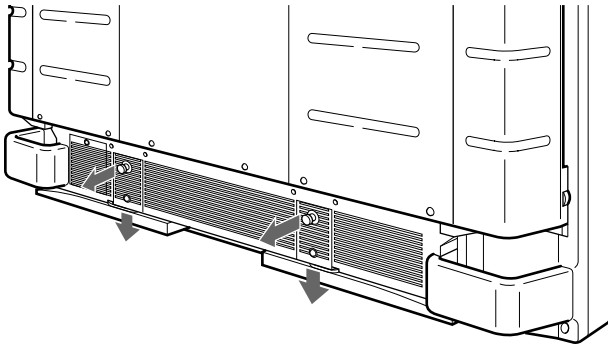
Remarque

Si vous branchez le câble à la prise CONTROL S IN sur le côté du moniteur, vous ne pouvez pas utiliser le moniteur avec la télécommande.

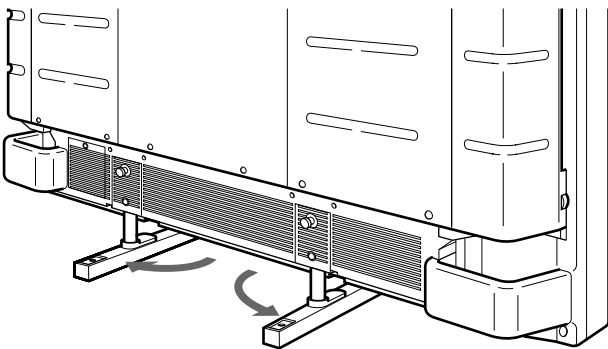
Installation

Utilisation des pieds rétractables

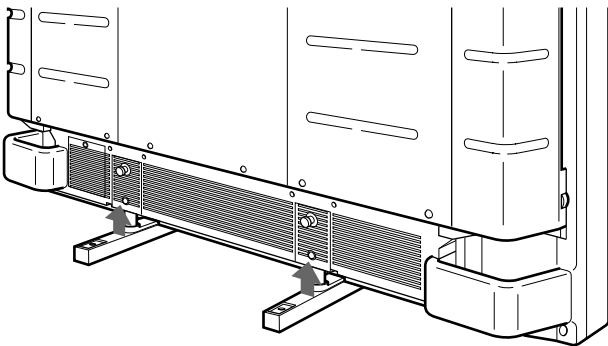
- 1 Tirez les boutons et tirez vers le bas sur les pieds rétractables.



- 2 Sortez les pieds rétractables.



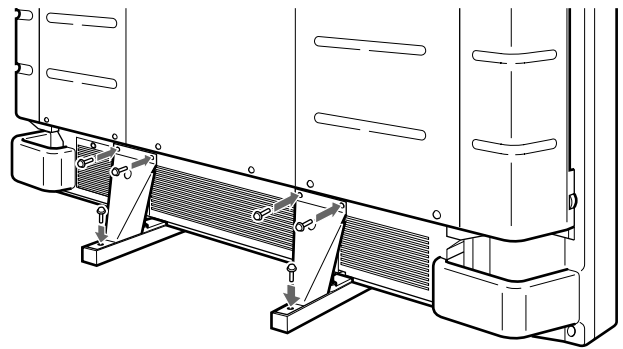
- 3 Enfoncez les pieds rétractables et verrouillez-les.



Pour fixer les pieds rétractables

Si l'appareil est installé sur le sol, fixez les pieds rétractables.

Mettez en place les supports de fixation de pied comme illustré ci-dessous.

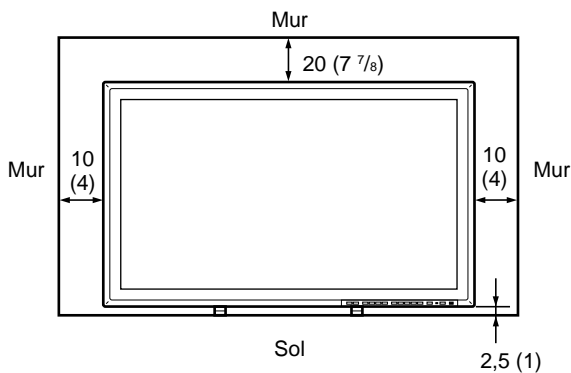


Attention

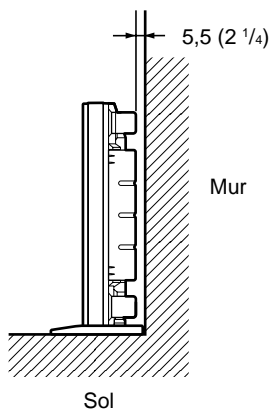
- Lorsque vous installez le moniteur, assurez-vous qu'il y a plus de place qu'illustré ci-dessous.
- La température ambiante doit être comprise entre 0°C – +35°C (32°F – 95°F).

Lors de l'utilisation des pieds rétractables

Avant



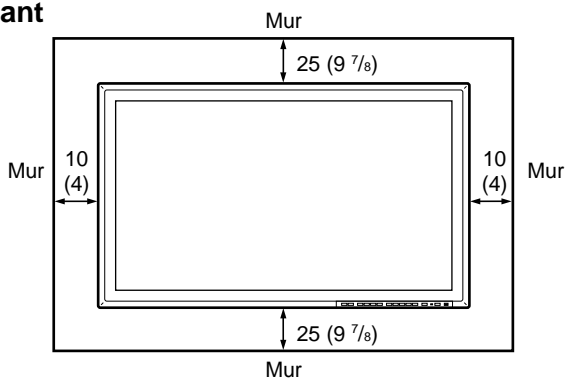
Côté



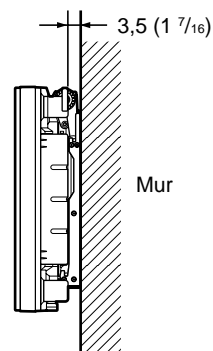
Unité: cm (pouces)

Lors de l'utilisation du support de montage

Avant



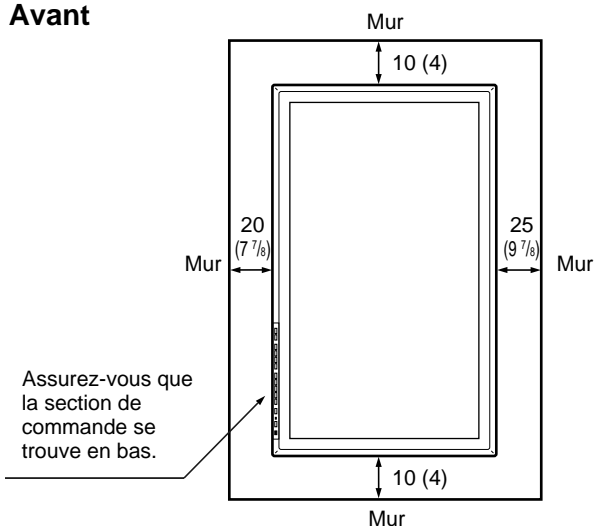
Côté



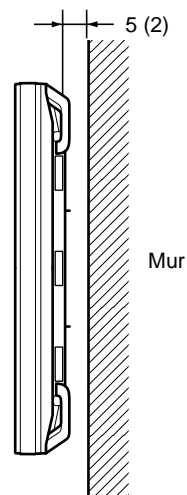
Unité: cm (pouces)

Accroché au mur: verticalement

Avant



Côté

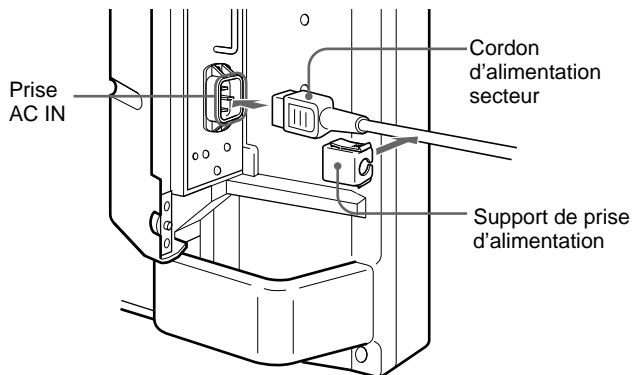


Unité: cm (pouces)

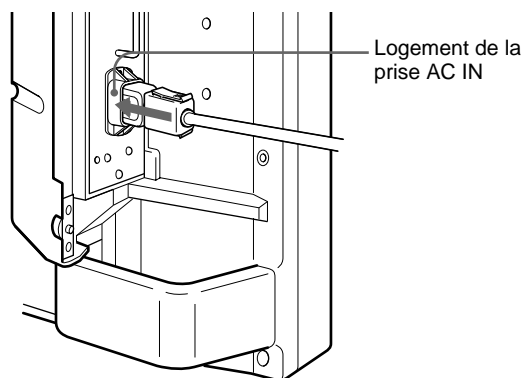
Raccordements

Raccordement de la prise d'alimentation secteur

- 1 Branchez la prise d'alimentation secteur dans une prise AC IN. Ensuite, fixez le support de prise AC (fourni) au cordon d'alimentation secteur.



- 2 Faites glisser le support de prise d'alimentation secteur par-dessus le cordon jusqu'à ce qu'il s'enclenche dans le logement de la prise d'alimentation secteur.



Pour ôter le cordon d'alimentation secteur

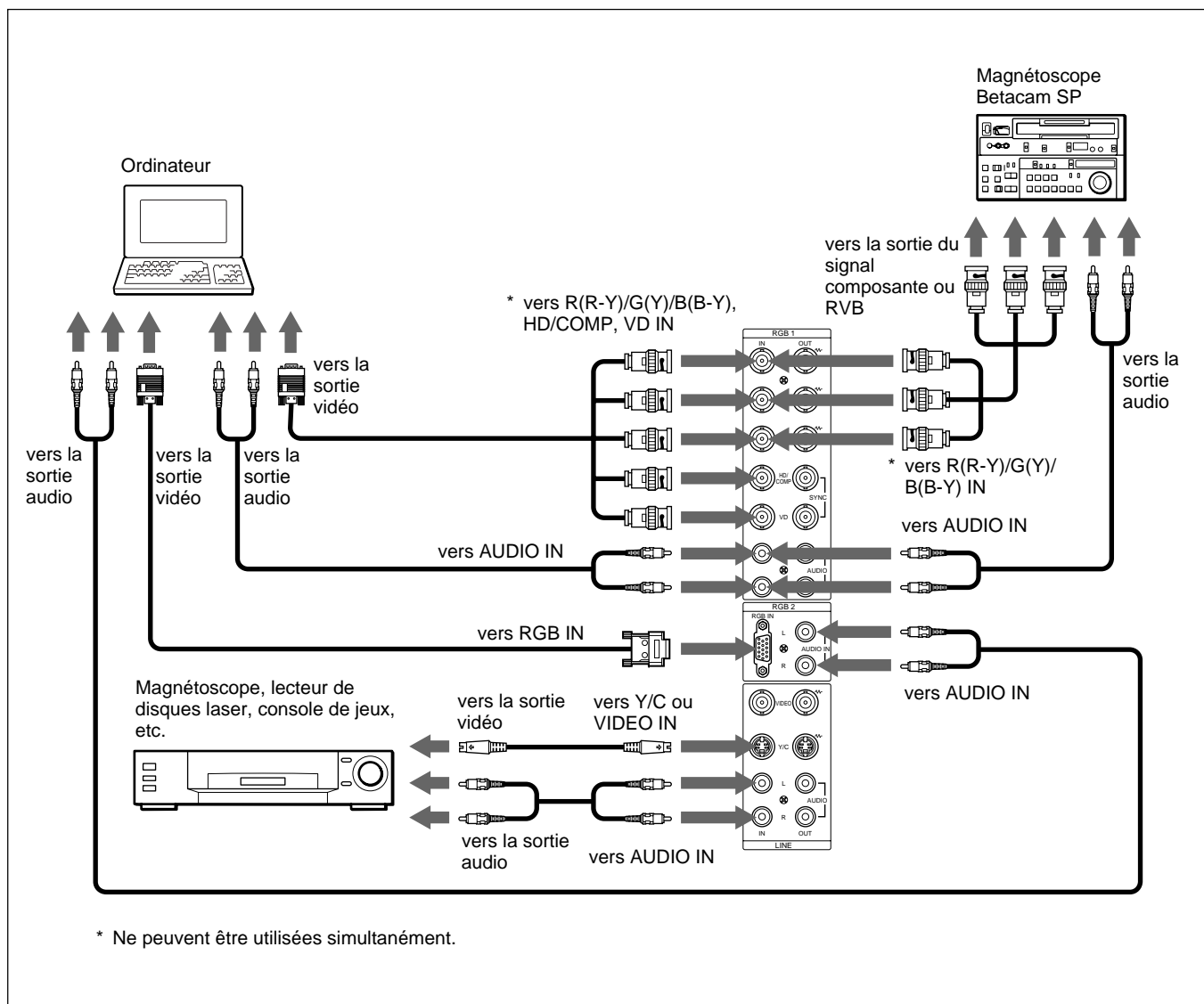
Pressez les côtés supérieur et inférieur et sortez le support de prise secteur.

Exemple de raccordement

Avant de commencer

- Assurez-vous d'abord que tous les appareils sont hors tension.
- Utilisez des câbles de connexion adaptés aux appareils à raccorder.
- Les connecteurs de câbles doivent être complètement insérés dans les prises. Une connexion lâche risque de provoquer du souffle ou d'autres parasites.

- Pour débrancher un câble, saisissez-le par la fiche. Ne tirez jamais sur le câble proprement dit.
- Lisez le mode d'emploi de l'appareil à raccorder.

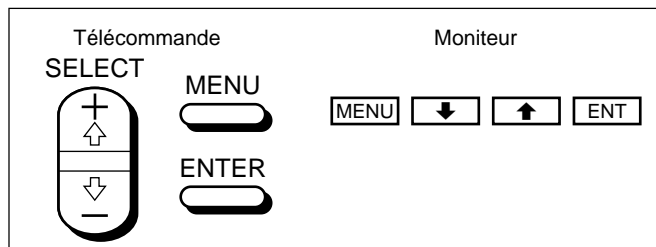


Utilisation des menus d'affichage

Exploitation des menus

Touches d'exploitation des menus

Quatre touches sur le moniteur et sur la télécommande servent à l'exploitation des menus.



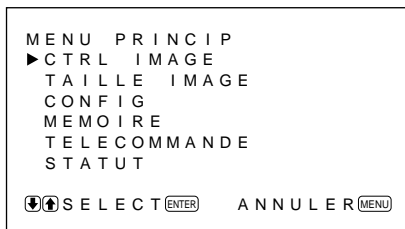
Les touches du panneau de commande sont utilisées à titre explicatif dans ce mode d'emploi.

La touche ENTER de la télécommande présente la même fonction que la touche ENT du panneau de commande et les touches SELECT + \uparrow / \downarrow de la télécommande sont identiques aux touches \uparrow / \downarrow du panneau de commande.

Configuration des menus

Pour sélectionner la langue d'affichage des menus, voir page 31 (F).

- 1 Appuyez sur MENU.
Le menu principal apparaît sur l'écran du moniteur.



- 2 Appuyez sur \uparrow / \downarrow pour déplacer le curseur (\blacktriangleright) et appuyez sur ENT pour sélectionner un menu.
Le menu sélectionné apparaît sur l'écran du moniteur.
- 3 Appuyez sur \uparrow / \downarrow pour déplacer le curseur (\blacktriangleright) et appuyez sur ENT pour sélectionner une option.
Le menu de l'option sélectionnée apparaît sur l'écran du moniteur.
- 4 Appuyez sur \uparrow / \downarrow pour régler ou sélectionner le réglage et appuyez sur ENT pour confirmer.
Le réglage est enregistré et le menu revient au menu précédent.

Pour revenir à l'écran normal, appuyez plusieurs fois sur la touche MENU jusqu'à ce que le menu disparaisse.

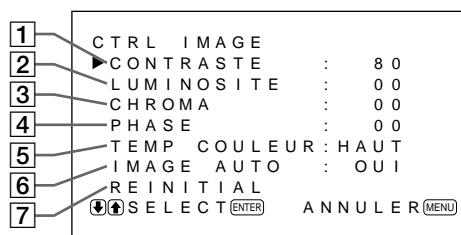
Guide de menu

Remarque

"----" apparaît en regard de l'option lorsque la fonction n'est pas disponible. La disponibilité dépend du type de signal d'entrée.

Menu CTRL IMAGE

Ce menu sert au réglage de l'image.



1 CONTRASTE

Appuyez sur \uparrow pour augmenter le contraste et appuyez sur \downarrow pour le diminuer.

2 LUMINOSITE

Appuyez sur \uparrow pour rendre l'image plus lumineuse et appuyez sur \downarrow pour la rendre plus sombre.

3 CHROMA

Appuyez sur \uparrow pour augmenter la saturation des couleurs et appuyez sur \downarrow pour la diminuer.

4 PHASE

Appuyez sur \uparrow pour rendre l'image plus verdâtre et appuyez sur \downarrow pour la rendre plus rougeâtre.

5 TEMP COULEUR

Sélectionnez la température des couleurs entre HAUT (6500K) ou BAS (environ 5500K).

6 IMAGE AUTO

Sélectionnez OUI pour améliorer le contraste automatiquement lorsqu'un signal de faible intensité est entré.

Pour plus de détails sur la fonction Picture AGC, voir "Accentuation du contraste de l'image (Fonction Picture AGC)" à la page 24 (F).

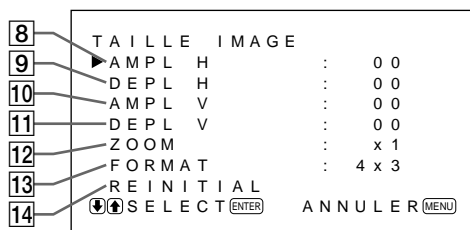
7 REINITIAL

Sélectionnez cette option pour ramener les valeurs par défaut des options 1 à 6 du menu CTRL IMAGE.

Pour plus de détails sur l'utilisation de la fonction de réinitialisation, voir "Restauration des réglages par défaut des options du menu CTRL IMAGE" à la page 25 (F).

Menu TAILLE IMAGE

Ce menu sert à modifier le zoom, le positionnement et le redimensionnement de l'image.



8 AMPL H

Règle la taille horizontale de l'image. Appuyez sur ↑ pour agrandir la taille horizontale et appuyez sur ↓ pour la diminuer.

9 DEPL H

Ajuste le centrage horizontal. Appuyez sur ↑ pour déplacer l'image vers la droite et appuyez sur ↓ pour la déplacer vers la gauche.

10 AMPL V

Ajuste la taille verticale de l'image. Appuyez sur ↑ pour agrandir la taille verticale et appuyez sur ↓ pour la diminuer.

11 DEPL V

Ajuste le centrage vertical. Appuyez sur ↑ pour déplacer l'image vers le haut et appuyez sur ↓ pour la déplacer vers le bas.

12 ZOOM

Zoome l'image deux, trois ou quatre fois.

13 FORMAT

Règle le rapport d'écran de l'image sur 4:3 ou 16:9.

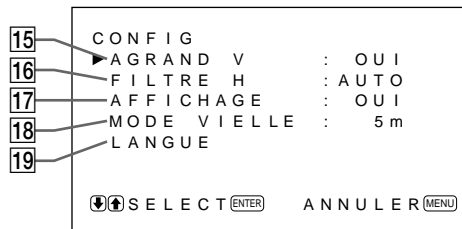
14 REINITIAL

Sélectionnez cette option pour ramener les valeurs par défaut des options 8 à 13 du menu TAILLE IMAGE.

Pour plus de détails sur l'utilisation de la fonction de réinitialisation, voir "Restauration de la taille et de la position originales de l'image" à la page 27 (F).

Menu CONFIG

Ce menu sert à régler le signal ou à sélectionner la langue.



15 AGRAND V

En principe, sélectionnez OUI.

Sélectionnez OUI pour adoucir les bords verticaux.

16 FILTRE H

En principe, sélectionnez AUTO.

Sélectionnez HAUT lorsqu'une ondulation verticale apparaît à l'écran.

Sélectionnez BAS lorsque le moiré ou des parasites apparaissent à l'écran. Le moiré ou les parasites diminuent même si l'écran paraît légèrement trouble.

17 AFFICHAGE

Sélectionnez OUI pour afficher les informations du signal d'entrée pendant environ cinq secondes en haut de l'écran du moniteur lors de la mise sous tension ou de la commutation du signal d'entrée.

18 MODE VIELLE

Réglez l'heure à laquelle l'appareil doit passer en mode d'économie d'énergie.

Pour plus de détails sur la fonction d'économie d'énergie, voir "Coupeure d'alimentation automatique en cas d'absence de signal d'entrée (Fonction d'économie d'énergie)" à la page 30 (F).

19 LANGUE

Sélectionnez l'une des cinq langues d'affichage à l'écran.

Les langues disponibles sont les suivantes: anglais, allemand, français, italien et espagnol.

Pour plus de détails sur la sélection de la langue d'affichage, voir "Sélection de la langue d'affichage à l'écran" à la page 31 (F).

Utilisation des menus d'affichage

Menu MEMOIRE

Ce menu permet de sauvegarder et de rappeler les réglages dans les menus CTRL IMAGE, TAILLE IMAGE et CONFIG (uniquement pour AGRAND V et FILTRE H).



Pour plus de détails, voir "Utilisation de la mémoire" à la page 28 (F).

20 CHARGER

Rappelle les réglages prédéfinis.

21 SAUVER

Sauvegarde les réglages.

Menu TELECOMMANDE

Ce menu sert au réglage de la télécommande.



22 NO. INDEX

Définit le numéro de la télécommande.

Remarque

Lorsque vous définissez le numéro d'index, utilisez les touches du moniteur.

Pour plus de détails sur le numéro d'index, voir "Utilisation d'un moniteur spécifique avec la télécommande" à la page 32 (F).

23 MODE TELECOM

Sélectionnez le mode de télécommande.

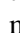
TV: Télécommande de moniteurs ou de téléviseurs Sony

PROJ: Télécommande de projecteurs Sony

NON: Désactive la télécommande.

Pour plus de détails, voir "Utilisation de l'autre télécommande" à la page 33 (F).

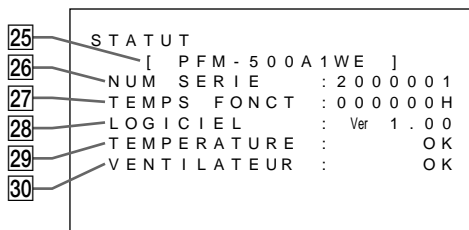
24 TELECOM UNIQ

Sélectionnez OUI pour désactiver les touches de commande frontales du moniteur. Le moniteur peut uniquement être commandé au moyen de la télécommande. Lorsque TELECOM UNIQ est sur OUI, les indicateurs du panneau avant s'éteignent. Pour désactiver le mode TELECOM UNIQ, réglez TELECOM UNIQ sur OFF à l'aide de la télécommande ou appuyez sur la touche CTRL tout en maintenant le commutateur  enfoncé. Le moniteur passe en mode de veille et le mode TELECOM UNIQ est désactivé.

Le réglage de cette option reste sélectionné lorsque le cordon d'alimentation secteur est débranché, mais est désactivé si le moniteur est mis hors tension au moyen de son commutateur d'alimentation.

Menu STATUT

Ce menu sert à afficher l'état interne du moniteur.



25 Nom du modèle

Indique le nom du modèle.

26 NUM SERIE

Indique le numéro de série.

27 TEMPS FONCT

Indique les heures d'utilisation totales.

Remarque

Le mode de veille n'est pas comptabilisé dans les heures d'utilisation.

28 LOGICIEL


Indique la version du logiciel système.

29 TEMPERATURE

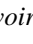
Indique si la température interne du moniteur est habituelle.

OK: Habituelle

NG: Inhabituelle

Lorsque la température interne est inhabituelle, NG s'affiche et l'option clignote en rouge. L'indicateur  du panneau de commande clignote également.

Remarque

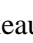
Il se peut que le message "TEMPERATURE NG" apparaisse lorsque les orifices de ventilation sont obstrués ou lorsque le moniteur est installé dans un endroit mal ventilé. Dans ce cas, vérifiez que les trous de ventilation ne sont pas bloqués et installez le moniteur dans une zone bien aérée. Si le message reste affiché, consultez votre distributeur Sony agréé. Lorsque l'indicateur  clignote ou NG s'affiche, voir "Fonction d'auto-diagnostic" à la page 31 (F).

30 VENTILATEUR

Des ventilateurs de refroidissement sont intégrés dans ce moniteur. Cette option indique que les ventilateurs de refroidissement fonctionnent correctement.

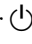
OK: Habituel

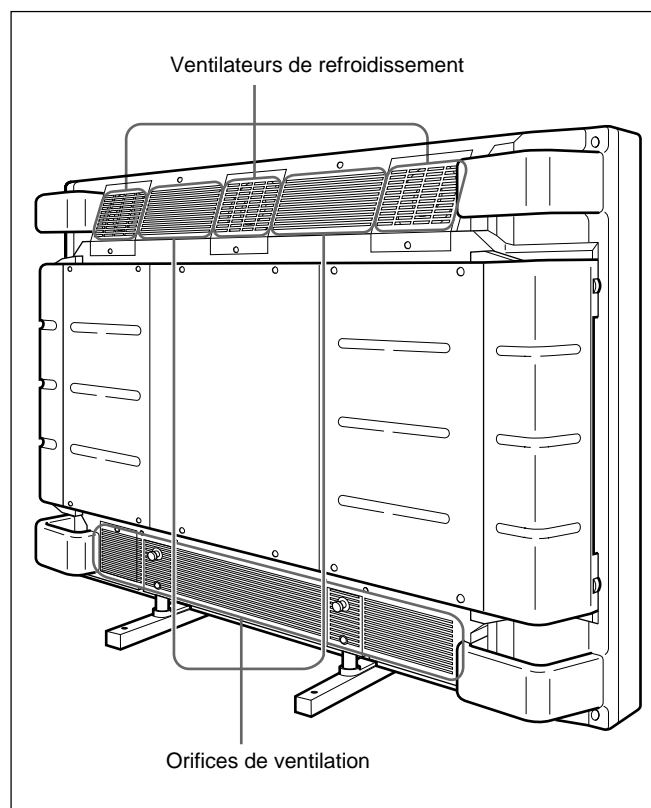
NG: Inhabituel

Lorsque les ventilateurs de refroidissement ne fonctionnent pas comme d'habitude, NG s'affiche et l'option clignote en rouge. L'indicateur  du panneau de commande clignote également.

Remarque

Lorsque le message "VENTILATEUR NG" apparaît, consultez votre distributeur Sony agréé.

Lorsque l'indicateur  clignote ou NG s'affiche, voir "Fonction d'auto-diagnostic" à la page 31 (F).



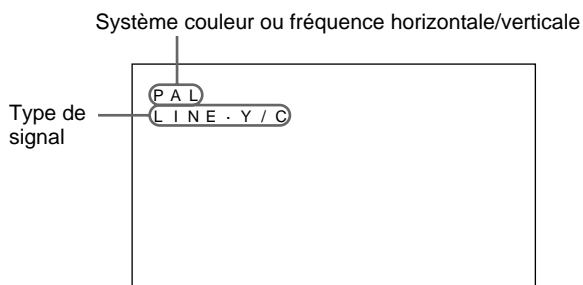
Visualisation de l'image

Avant de commencer

- Mettez le moniteur sous tension.
- Mettez l'appareil raccordé sous tension et activez la lecture d'une source vidéo.
- Pour afficher sur l'écran les informations du signal entré au moment de la mise sous tension ou de la commutation du signal d'entrée, réglez "AFFICHAGE" dans le menu CONFIG sur OUI.
- Pour activer l'affichage de votre langue, voir page 31 (F).

Commutation de l'image

- 1 Appuyez sur CTRL du panneau de commande du moniteur.
Les touches RGB1, YUV, RGB2, LINE, et Y/C s'allument.
- 2 Sélectionnez la source d'entrée à afficher en appuyant sur les touches suivantes.
 - RGB1:** Sélectionne le signal audio et vidéo entré par les connecteurs RGB1 lorsque le signal d'entrée est un signal RVB.
 - YUV:** Sélectionne le signal audio et vidéo entré par les connecteurs RGB1 lorsque le signal d'entrée est un signal composante.
 - RGB2:** Sélectionne le signal audio et vidéo entré par les connecteurs RGB2.
 - LINE:** Sélectionne le signal audio et vidéo entré par le connecteur VIDEO IN et la prise AUDIO IN dans les connecteurs LINE.
 - Y/C:** Sélectionne le signal audio et vidéo entré par le connecteur Y/C IN et la prise AUDIO IN dans les connecteurs LINE.




Le signal d'entrée sélectionné apparaît sur l'écran du moniteur.

Vous pouvez également commuter le signal d'entrée au moyen de la télécommande.


Remarque

Nous recommandons d'utiliser comme source d'entrée un appareil vidéo doté d'un correcteur de base de temps (TBC). Si vous recevez le signal sans le TBC, il se peut que l'image disparaisse en raison de perturbations du signal de synchronisation.



Visualisation d'un arrêt sur image

La touche STILL de la télécommande vous permet de faire un arrêt sur image. Pour figer l'image, appuyez sur la touche STILL lorsque l'image animée est affichée. Vous pouvez également figer l'image en appuyant simplement sur la touche  du panneau de commande.

Pour revenir à l'écran normal

- Appuyez sur la touche STILL de la télécommande ou de nouveau sur la touche  du panneau de commande.
- Commutez le signal d'entrée.

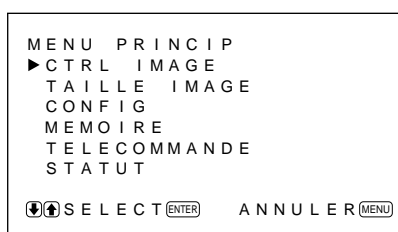
Remarques

- Lorsque vous exploitez le menu, la touche  fonctionne comme pour le pilotage par menu.
- En mode d'arrêt sur image, les touches  clignotent.
- Lorsque vous réglez AFFICHAGE sur OUI dans le menu CONFIG, "ARRET" apparaît en haut de l'écran du moniteur. Pour faire disparaître cette indication, mettez AFFICHAGE sur NON.

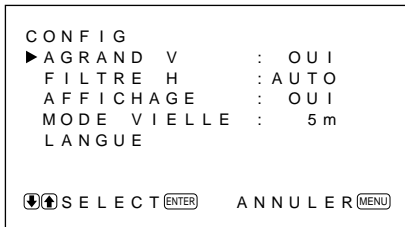
Affichage du signal d'entrée et des données d'état du moniteur

Le signal d'entrée et les données d'état du moniteur sont affichées sur l'écran pendant environ cinq secondes lorsque vous mettez le moniteur sous tension ou lorsque vous commutez le signal d'entrée. Pour désactiver la fonction, appliquez la procédure suivante.

- 1 Appuyez sur MENU.
Le menu principal apparaît sur l'écran du moniteur.



- 2** Appuyez sur \uparrow/\downarrow pour déplacer le curseur (\blacktriangleright) sur “CONFIG” et appuyez sur ENT.
Le menu CONFIG apparaît sur l’écran du moniteur.



- 3** Appuyez sur \uparrow/\downarrow pour déplacer le curseur (\blacktriangleright) sur “AFFICHAGE” et appuyez sur ENT.
Le menu suivant apparaît sur l’écran du moniteur.



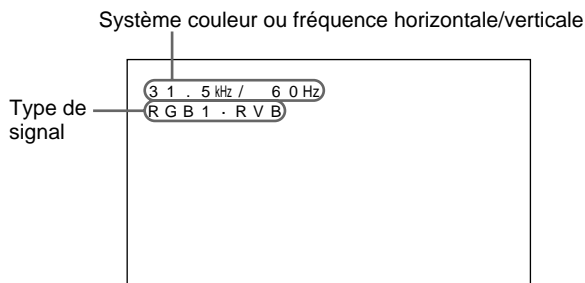
- 4** Appuyez sur \uparrow pour mettre “AFFICHAGE” sur NON et appuyez sur ENT.
La fonction AFFICHAGE est désactivée.

Pour activer la fonction d’information, mettez “AFFICHAGE” sur OUI à l’étape 4 ci-dessus.

Remarque

Vous pouvez obtenir les informations d’entrée à n’importe quel moment en appuyant sur la touche DISPLAY de la télécommande, quel que soit le réglage ci-dessus.

La liste d’information du signal d’entrée



Signal d’entrée	Système couleur ou fréquence horizontale/verticale	
NTSC	NTSC	
PAL	PAL	
VGA ^{a)} (Graphics)	31,5 kHz	60 Hz
VGA (Text)	31,5 kHz	70 Hz
HDTV	33,8 kHz	60 Hz
Mac ^{b)} 13"	35,0 kHz	67 Hz
VESA ^{c)} 800×600	37,9 kHz	60 Hz
VESA 1024×768	48,4 kHz	60 Hz
Mac 16"	49,7 kHz	75 Hz
ATI ^{d)} 1280×1024	64,0 kHz	60 Hz
Mac 21"	68,7 kHz	75 Hz
VESA 1280×1024	80,0 kHz	75 Hz

- a) VGA est une marque de commerce déposée de International Business Machines Corporation, USA.
- b) Mac (Macintosh) est une marque de commerce déposée de Apple Computer, Inc.
- c) VESA est une marque de commerce déposée de Video Electronics Standard Association.
- d) ATI est une marque de commerce déposée de ATI Technologies, Inc.

Remarque

Lors de l’entrée d’un signal HDTV, entrez le signal de synchronisation à trois niveaux vers le connecteur G/Y IN.

Affichage sur écran de l’état du moniteur

Affichage sur écran	Signification
31.5kHz / 60Hz (eg.)	Le signal d’entrée sélectionné est un signal RVB informatique.
525 / 60 (eg.)	Le signal d’entrée sélectionné est un signal RVB ou vidéo composante.
NTSC	Le signal d’entrée sélectionné est un signal NTSC.
PAL	Le signal d’entrée sélectionné est un signal PAL.
AUTRES	Le signal d’entrée est en-dehors de la plage de saisie.
NO SYNC	Il n’y a pas de signal d’entrée.
SUPPRES	Le son est coupé.
RGB1 RVB	Le mode de signal de RGB1 est réglé sur le signal RVB.
RGB1 YUV	Le mode de signal de RGB1 est mis sur vidéo composante.
LINE COMP	L’entrée vidéo composite est sélectionnée sur LINE.
LINE Y/C	L’entrée vidéo Y/C est sélectionnée sur LINE.
ARRET	Un arrêt sur image est activé.

Réglage de l'image

Pendant que vous visionnez l'image, vous pouvez régler le contraste, la luminosité, l'intensité des couleurs et la phase à votre gré. Ces réglages peuvent être exécutés séparément pour chacun des signaux d'entrée. Vous pouvez également enregistrer vos réglages dans la mémoire.

Réglage du contraste, de la luminosité, de l'intensité des couleurs et de la phase

Appuyez sur MENU de façon à ce que le menu principal apparaisse sur l'écran du moniteur et sélectionnez "CONTRASTE", "LUMINOSITE", "CHROMA" ou "PHASE" dans le menu CTRL IMAGE à l'aide des touches **↑/↓**.

CONTRASTE

Sélectionnez "CONTRASTE" à l'aide des touches **↑/↓** et appuyez sur la touche ENT.
Ajustez le contraste à l'aide des touches **↑/↓** dans la plage MIN (0) à MAX (+100).
↑: pour augmenter le contraste de l'image
↓: pour diminuer le contraste de l'image

LUMINOSITE

Sélectionnez "LUMINOSITE" à l'aide des touches **↑/↓** et appuyez sur la touche ENT.
Ajustez la luminosité à l'aide des touches **↑/↓** dans la plage MIN (-50) à MAX (+50).
↑: pour rendre l'image plus verdâtre
↓: pour rendre l'image plus rougeâtre

CHROMA

Sélectionnez "CHROMA" à l'aide des touches **↑/↓** et appuyez sur la touche ENT.
Ajustez l'intensité des couleurs à l'aide des touches **↑/↓** dans la plage MIN (-50) à MAX (+50).
↑: pour augmenter l'intensité des couleurs
↓: pour diminuer l'intensité des couleurs

PHASE

Sélectionnez "PHASE" à l'aide des touches **↑/↓** et appuyez sur la touche ENT.
Ajustez la phase à l'aide des touches **↑/↓** dans la plage MIN (-50) à MAX (+50).

↑: pour rendre l'image plus verdâtre
↓: pour rendre l'image plus rougeâtre

Remarques

- Les commandes CHROMA et PHASE sont inopérantes avec un signal RVB.
- La commande PHASE est inopérante avec un signal composante.
- La commande PHASE est inopérante avec une source de couleur PAL.
- Ne changez pas le niveau CHROMA/PHASE (NTSC uniquement) si le signal sélectionné n'est pas un signal NTSC ou PAL.
Bien qu'il n'ait aucun effet sur l'image actuelle, il affectera l'image du signal NTSC ou PAL qui sera entré ultérieurement.

Accentuation du contraste de l'image (Fonction Picture AGC)

Lorsque l'intensité de l'image est trop faible, cette fonction permet d'améliorer automatiquement le contraste.

Activez cette fonction lorsque la source d'image est sombre.

- 1 Appuyez sur MENU.
Le menu principal apparaît sur l'écran du moniteur.

```
MENU PRINCIP
▶ CTRL IMAGE
  TAILLE IMAGE
  CONFIG
  MEMOIRE
  TELECOMMANDE
  STATUT
⏏SELECT [ENTER]  ANNULER [MENU]
```

- 2 Appuyez sur **↑/↓** pour déplacer le curseur (▶) sur "CTRL IMAGE" et appuyez sur ENT.
Le menu CTRL IMAGE apparaît sur l'écran du moniteur.

```
CTRL IMAGE
▶ CONTRASTE      : 80
  LUMINOSITE     : 00
  CHROMA         : 00
  PHASE          : 00
  TEMP COULEUR  : HAUT
  IMAGE AUTO     : OUI
  REINITIAL
⏏SELECT [ENTER]  ANNULER [MENU]
```

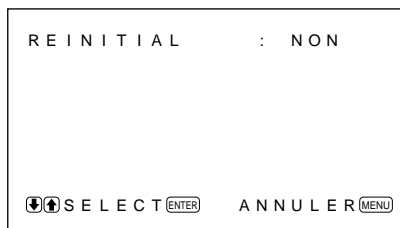
- 3** Appuyez sur **↑/↓** pour déplacer le curseur (**▶**) sur “IMAGE AUTO” et appuyez sur ENT.
Le menu suivant apparaît sur l’écran du moniteur.



- 4** Appuyez sur **↑/↓** pour régler “IMAGE AUTO” sur OUI.
5 Appuyez sur ENT.
Le menu retourne au menu CTRL IMAGE.

Restauration des réglages par défaut des options du menu CTRL IMAGE

- 1** Dans le menu CTRL IMAGE, appuyez sur **↑/↓** pour déplacer le curseur (**▶**) sur “REINITIAL” et appuyez sur ENT.
Le menu suivant apparaît sur l’écran du moniteur.



- 2** Appuyez sur **↑/↓**.
“NON” devient “OUI.”



- 3** Appuyez sur ENT.
Les options du menu CTRL IMAGE sont restaurées aux valeurs par défaut.

Pour annuler la fonction de réinitialisation, appuyez sur la touche MENU avant d’appuyer sur la touche ENT.

Zoom, redimensionnement et repositionnement de l'image

Vous pouvez décaler la position de l'image de manière à ce qu'elle s'adapte à l'écran, ou régler séparément la taille verticale et horizontale de l'image.

Vous pouvez zoomer l'image de façon à la rendre deux, trois ou quatre fois plus grande.

Réglage de la taille de l'image

1 Appuyez sur MENU.

Le menu principal apparaît sur l'écran du moniteur.

```
MENU PRINCIP
▶CTRL IMAGE
TAILLE IMAGE
CONFIG
MEMOIRE
TELECOMMANDE
STATUT

SELECT(ENTER)  ANNULER(MENU)
```

2 Appuyez sur ↑/↓ pour déplacer le curseur (▶) sur "TAILLE IMAGE" et appuyez sur ENT.

Le menu TAILLE IMAGE apparaît sur l'écran du moniteur.

```
TAILLE IMAGE
▶AMPL H      : 00
DEPL H       : 00
AMPL V       : 00
DEPL V       : 00
ZOOM         : x1
FORMAT       : 4x3
REINITIAL
SELECT(ENTER)  ANNULER(MENU)
```

3 Appuyez sur ↑/↓ pour déplacer le curseur (▶) sur "AMPL H" et appuyez sur ENT.

Le menu suivant apparaît sur l'écran du moniteur.

```
AMPL H      : 00
```

4 Appuyez sur ↑/↓ pour redimensionner l'image.

↑: pour agrandir la taille horizontale

↓: Pour réduire la taille horizontale

La taille horizontale de l'image est indiquée sur l'écran du moniteur dans la plage MIN(-50) à MAX(+50). La valeur par défaut est 00.

5 Appuyez sur ENT.

Le menu retourne au menu TAILLE IMAGE.

6 Appuyez sur ↑/↓ pour déplacer le curseur (▶) sur "AMPL V" et appuyez sur ENT.

Le menu suivant apparaît sur l'écran du moniteur.

```
AMPL V      : 00
```

7 Appuyez sur ↑/↓ pour redimensionner l'image.

↑: pour agrandir la taille verticale

↓: pour réduire la taille verticale

La taille verticale de l'image est indiquée sur l'écran du moniteur dans la plage MIN(-50) à MAX(+50). La valeur par défaut est 00.

8 Appuyez sur ENT.

Le menu retourne au menu TAILLE IMAGE.

Réglage de la position de l'image

1 Dans le menu TAILLE IMAGE, appuyez sur ↑/↓ pour déplacer le curseur (▶) sur "DEPL H" et appuyez sur ENT.

Le menu suivant apparaît sur l'écran du moniteur.

```
DEPL H      : 00
```

2 Appuyez sur ↑/↓ pour décaler l'image.

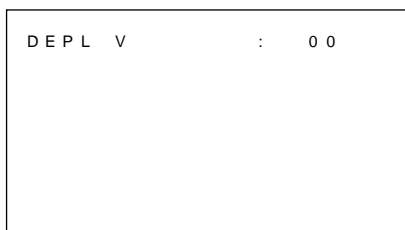
↑: pour décaler l'image vers la droite.

↓: pour décaler l'image vers la gauche.

La position horizontale de l'image est indiquée sur l'écran du moniteur dans la plage MIN(-50) à MAX(+50). La valeur par défaut est 00.

3 Appuyez sur ENT.
Le menu retourne au menu TAILLE IMAGE.

4 Appuyez sur \uparrow/\downarrow pour déplacer le curseur (\blacktriangleright) sur “DEPL V” et appuyez sur ENT.
Le menu suivant apparaît sur l’écran du moniteur.



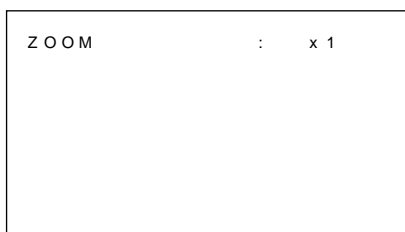
5 Appuyez sur \uparrow/\downarrow pour décaler l’image.
 \uparrow : pour décaler l’image vers le haut.
 \downarrow : pour décaler l’image vers le bas.
La position verticale de l’image est indiquée sur l’écran du moniteur dans une plage MIN(-50) à MAX(+50). La valeur par défaut est 00.

6 Appuyez sur ENT.
Le menu retourne au menu TAILLE IMAGE.

Zoom de l’image

Vous pouvez également effectuer cette opération avec la touche ZOOM de la télécommande.

1 Dans le menu TAILLE IMAGE, appuyez sur \uparrow/\downarrow pour déplacer le curseur (\blacktriangleright) sur “ZOOM” et appuyez sur ENT.
Le menu suivant apparaît sur l’écran du moniteur.

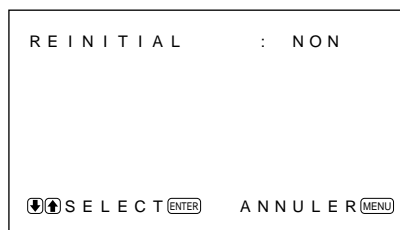


2 Appuyez sur \uparrow/\downarrow pour régler le zoom.
Chaque fois que vous appuyez sur \uparrow , l’image est respectivement agrandie deux, trois ou quatre fois.
Pour un zoom arrière, appuyez sur \downarrow .

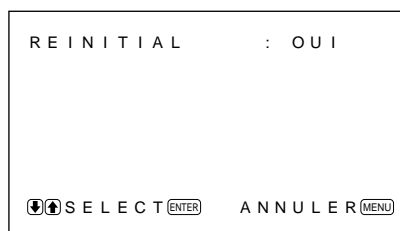
3 Appuyez sur ENT.
Le menu retourne au menu TAILLE IMAGE.

Restauration de la taille et de la position originales de l’image

1 Dans le menu TAILLE IMAGE, appuyez sur \uparrow/\downarrow pour déplacer le curseur (\blacktriangleright) sur “REINITIAL” et appuyez sur ENT.
Le menu suivant apparaît sur l’écran du moniteur.



2 Appuyez sur \uparrow/\downarrow .
“NON” devient “OUI.”



3 Appuyez sur ENT.
La taille et la position d’origine de l’image sont restaurées.

Pour annuler la fonction de réinitialisation, appuyez sur la touche MENU avant d’appuyer sur la touche ENT.

Utilisation de la mémoire

Vous pouvez sauvegarder les réglages actuels de l'image pour chaque signal d'entrée à l'aide de la fonction MEMOIRE.

Les réglages sauvegardés peuvent être rappelés à tout moment.

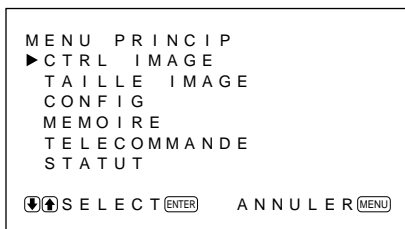
Les options des menus CTRL IMAGE, TAILLE IMAGE et CONFIG (uniquement pour AGRAND V et FILTRE H) peuvent être mémorisés.

Vous pouvez sauvegarder les réglages de l'image pour cinq signaux d'entrée.

Mémorisation des réglages sélectionnés

1 Appuyez sur MENU.

Le menu principal apparaît sur l'écran du moniteur.



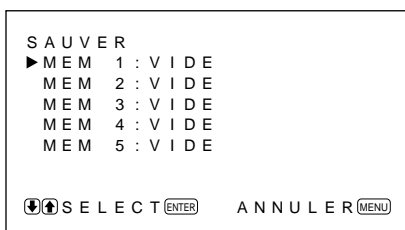
2 Appuyez sur ↑/↓ pour déplacer le curseur (▶) sur "MEMOIRE" et appuyez sur ENT.

Le menu MEMOIRE apparaît sur l'écran du moniteur.



3 Appuyez sur ↑/↓ pour déplacer le curseur (▶) sur "SAUVER" et appuyez sur ENT.

Le menu suivant apparaît sur l'écran du moniteur.

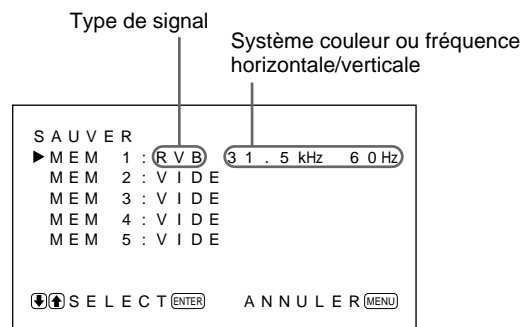


4 Appuyez sur ↑/↓ pour déplacer le curseur (▶) sur MEM 1 à 5 et appuyez sur ENT.

Le message "TERMINE" apparaît pendant environ cinq secondes.

Les réglages en cours sont enregistrés sous le numéro de mémoire sélectionné.

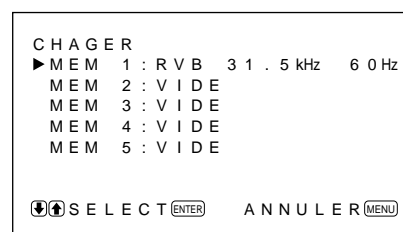
Si des données sont déjà enregistrées sous le numéro de mémoire sélectionné, le type de signal et le système couleur ou la fréquence horizontale/fréquence verticale apparaissent dans la colonne située à droite du numéro de mémoire sélectionné.



Restauration des réglages sauvegardés

1 Dans le menu MEMOIRE, appuyez sur ↑/↓ pour déplacer le curseur (▶) sur "CHARGER" et appuyez sur ENT.

Le menu suivant apparaît sur l'écran du moniteur.



2 Appuyez sur ↑/↓ pour déplacer le curseur (▶) sur MEM 1 à 5 et appuyez sur ENT.

Le message "TERMINE" apparaît pendant environ cinq secondes.

L'image est réglée suivant les réglages sélectionnés.

Remarques

- Vous ne pouvez pas récupérer les données mémorisées si le signal sélectionné est différent du signal présélectionné.
- Les options suivantes peuvent être mémorisées:

Menu CTRL IMAGE

- CONTRASTE
- LUMINOSITE
- CHROMA
- PHASE
- TEMP COULEUR
- IMAGE AUTO

Menu TAILLE IMAGE

- AMPL H
- DEPL H
- AMPL V
- DEPL V
- ZOOM
- FORMAT

Menu CONFIG

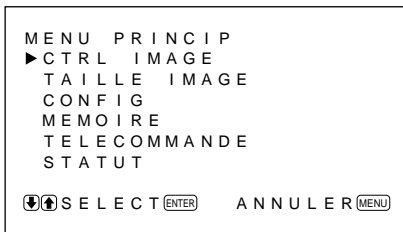
- AGRAND V
- FILTRE H

Coupure d'alimentation automatique en cas d'absence de signal d'entrée (Fonction d'économie d'énergie)

Cet appareil se met automatiquement hors tension après un certain temps si aucun signal n'est entré par les connecteurs RGB1 ou RGB2. (Fonction d'économie d'énergie)

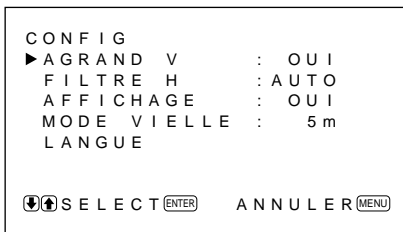
1 Appuyez sur MENU.

Le menu principal apparaît sur l'écran du moniteur.



2 Appuyez sur ↑/↓ pour déplacer le curseur (▶) sur "CONFIG" et appuyez sur ENT.

Le menu CONFIG apparaît sur l'écran du moniteur.



3 Appuyez sur ↑/↓ pour déplacer le curseur (▶) sur "MODE VIELLE" et appuyez sur ENT.

Le menu suivant apparaît sur l'écran du moniteur.



4 Appuyez sur ↑/↓ pour sélectionner la durée au terme de laquelle l'appareil passe en mode de veille.


NON: La fonction d'économie d'énergie n'est pas opérante.

5 m: Passe en mode d'économie d'énergie après cinq minutes s'il n'y a aucun signal d'entrée.

10 m: Passe en mode d'économie d'énergie après 10 minutes s'il n'y a aucun signal d'entrée.

L'indicateur d'alimentation se met à clignoter lorsque l'appareil est en mode d'économie d'énergie.

Pour annuler la fonction d'économie d'énergie

- Entrez de nouveau un signal de synchro
- Appuyez sur le commutateur  du panneau de commande ou sur le commutateur POWER de la télécommande.

Spécification de signal pour l'utilisation de la fonction d'économie d'énergie

RGB1: Lorsque le signal de synchro est raccordé au connecteur HD/COMP IN.

RGB2: Lorsque le signal de synchro est raccordé à la 13ème broche du connecteur RGB IN (D-sub à 15 broches).

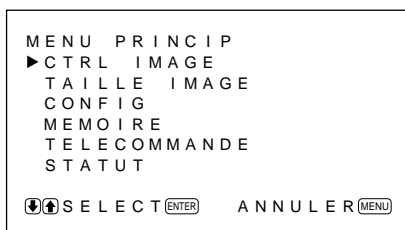
Remarques

- La fonction d'économie d'énergie n'est pas opérante lorsque le signal est entré par les connecteurs LINE.
- Si le signal de synchronisation n'est pas connecté au connecteur HD/COMP IN, l'appareil ne se met pas sous tension même lorsque le signal de synchronisation est entré. Veuillez à mettre MODE VIELLE sur NON quand seul un signal RVB ou composante est raccordé.
- Si le signal de synchronisation n'est pas connecté à la 13e broche du connecteur RGB IN (D-sub à 15 broches), l'appareil ne se met pas sous tension même lorsque le signal de synchronisation est entré. Veuillez à mettre MODE VIELLE sur NON quand seulement le signal RVB est raccordé.

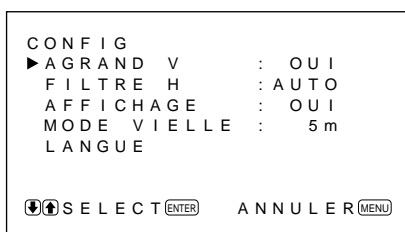
Sélection de la langue d'affichage à l'écran

Vous pouvez sélectionner l'une des cinq langues d'affichage proposées. Il s'agit de l'allemand, l'anglais, l'espagnol, le français et l'italien.

- 1 Appuyez sur MENU.
Le menu principal apparaît sur l'écran du moniteur.



- 2 Appuyez sur ↑/↓ pour déplacer le curseur (▶) sur "CONFIG" et appuyez sur ENT.
Le menu CONFIG apparaît sur l'écran du moniteur.



- 3 Appuyez sur ↑/↓ pour déplacer le curseur (▶) sur "LANGUE" et appuyez sur ENT.
Le menu suivant apparaît sur l'écran du moniteur.



- 4 Appuyez sur ↑/↓ pour déplacer le curseur (▶) sur la langue de votre choix et appuyez sur ENT.
La langue d'affichage que vous avez sélectionnée est activée.

ENGLISH: anglais
DEUTSCH: allemand
FRANÇAIS: français
ITALIANO: italien
ESPAÑOL: espagnol

- 5 Appuyez sur MENU.
Le menu retourne au menu CONFIG.

Fonction d'auto-diagnostic

L'appareil est équipé d'une fonction d'auto-diagnostic. Cette fonction permet d'afficher l'état du moniteur par le clignotement de l'indicateur ⏻ et au moyen de chiffres sur l'indicateur SERVICE CODE. Ces numéros vous indiquent l'état actuel du moniteur. Lorsque l'appareil fonctionne normalement, seul le point en bas à droite de l'indicateur SERVICE CODE clignote.

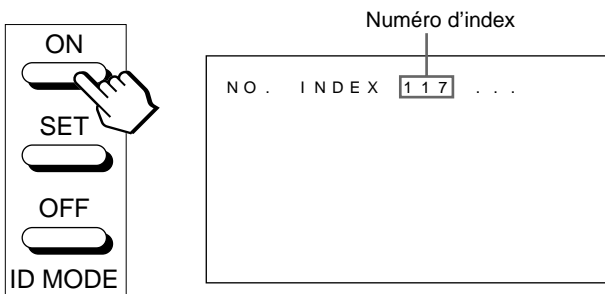
Si l'indicateur ⏻ clignote, vérifiez le chiffre et contactez votre distributeur Sony agréé.

- 1 Vérifiez le numéro à 2 chiffres de l'indicateur SERVICE CODE.
L'indicateur affiche un numéro ou des numéros multiples en alternance toutes les demi-secondes.
- 2 Débranchez l'appareil.
Communiquez le numéro à votre distributeur Sony agréé.

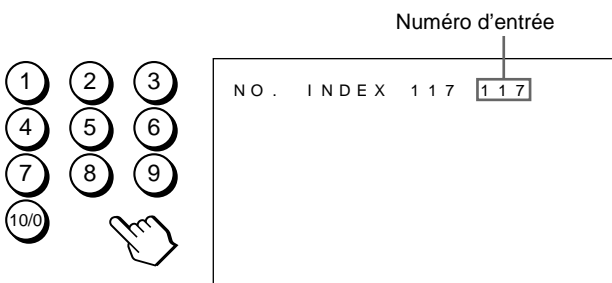
Utilisation d'un moniteur spécifique avec la télécommande

A l'aide de la télécommande fournie, vous pouvez exploiter un moniteur spécifique sans affecter d'autres moniteurs qui seraient également installés.

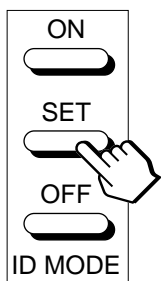
- 1 Appuyez sur ID MODE ON de la télécommande. Les numéros d'index du moniteur apparaissent en caractères blancs sur tous les moniteurs. (Chaque moniteur reçoit un numéro d'index prédéfini individuel de 1 à 255.)
Voir "Pour modifier le numéro d'index" dans la colonne à droite de cette page pour modifier le numéro d'index.



- 2 Entrez le numéro d'index du moniteur que vous désirez exploiter à l'aide des touches 0 – 9 de la télécommande. Le numéro entré apparaît à droite de chaque numéro d'index individuel du moniteur.

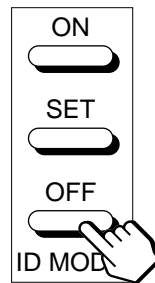


- 3 Appuyez sur ID MODE SET. Le caractère du moniteur sélectionné devient cyan tandis que les autres deviennent rouges.



Vous pouvez utiliser uniquement un moniteur spécifié. (Toutes les opérations sont disponibles en mode ID sauf POWER ON/OFF.)

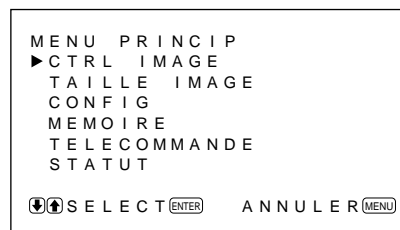
- 4 Après avoir effectué les réglages nécessaires, appuyez sur ID MODE OFF. Le moniteur revient au mode normal.



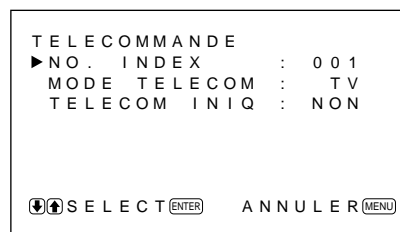
Pour modifier le numéro d'index.

Vous pouvez modifier le numéro d'index si nécessaire. Lorsque vous modifiez le numéro, utilisez les touches du moniteur.

- 1 Appuyez sur MENU. Le menu principal apparaît sur l'écran du moniteur.



- 2 Appuyez sur ↑/↓ pour déplacer le curseur (▶) sur "TELECOMMANDE" et appuyez sur ENT. Le menu TELECOMMANDE apparaît sur l'écran du moniteur.



- 3 Appuyez sur ↑/↓ pour déplacer le curseur (▶) sur "NO. INDEX" et appuyez sur ENT. Le menu suivant apparaît sur l'écran du moniteur.



- 4 Sélectionnez le numéro d'index à l'aide des touches ↑/↓ et appuyez sur ENT. Le menu retourne au menu TELECOMMANDE.

Utilisation de l'autre télécommande

Les opérations suivantes peuvent être commandées.

- Mise sous/hors tension
- Sélection de l'entrée
- Exploitation des menus
- Réglages d'image: contraste, phase et intensité des couleurs
- Activation/désactivation de l'affichage sur écran (uniquement pour les moniteurs vidéo et les téléviseurs)

Les opérations et les touches disponibles à utiliser pour chaque opération sont limitées en fonction de chaque télécommande. Voir le tableau ci-dessous.

Modèles de télécommande		RM-854	RM-1271	RM-PJ1292	RM-PJ1000
Réglage REMOTE MODE		TV	PJ	PJ	PJ
Sélection de l'entrée	RGB1	RGB	A	A	A
	RGB 2	—	B	B	B
	LINE	LINE1	VIDEO	VIDEO	VIDEO
Exploitation du menu	MENU	MENU	PAGE ou ←	PAGE ou ←	MENU ou ←
	ENTER	ENTER	→	→	ENTER ou →
	+	+	↑	↑	↑
	-	-	↓	↓	↓
Réglage de l'image	Contraste	CONTRAST+/-	CONTR+/-	CONTR+/-	CONTR+/-
	Intensité des couleurs	CHROMA+/-	COLOR+/-	COLOR+/-	COLOR+/-
	Phase	PHASE+/-	HUE+/-	HUE+/-	HUE+/-
Informations sur écran		DISPLAY	—	STATUS ON	STATUS ON

Spécifications

Traitement du signal vidéo

Plage de saisie	Fréquence horizontale: 15,6 à 80 kHz Fréquence verticale: 48 à 120 Hz
Signal présélectionné	Entrée: 12 formats (voir page 23 (F))
Mémoire vidéo	1.152 × 1.152 × 24 bits (total RVB)
Fréquence d'échantillonnage	Phase de décalage de 12,5 à 40 MHz max. (équivalent à un échantillonnage de 80 MHz)
Système d'affichage	Panneau d'affichage à plasma de type CA
Résolution d'affichage	852 points × 480 lignes
Pixel	1,08 (horizontal) × 1,08 (vertical) mm
Taille de l'image	920 (horizontal) × 518 (vertical) mm
Taille du panneau	42 pouces (diagonale 1.056 mm)

Entrées et sorties

RGB1

R (R-Y)/ G (Y)/B (B-Y) IN	Type BNC (×3) 0,714 Vcc/non composite 75 ohms (terminaison automatique) 1 Vcc/composite 75 ohms (terminaison automatique)
---------------------------	---

SYNC IN(HD/COMP, VD)

Type BNC (×2) H (ou composite) SYNC, V SYNC, 1 à 5 Vcc haute impédance
--

AUDIO IN (L, R)	Prise phono (×2) 500 mVrms, haute impédance
-----------------	--

R (R-Y)/ G (Y)/B (B-Y) OUT

Type BNC (×3) boucle directe

SYNC OUT (HD/COMP, VD)

Type BNC (×2) boucle directe H (ou composite) SYNC, V SYNC
--

AUDIO OUT (L, R)	Prise phono (×2) boucle directe
------------------	---------------------------------

RGB2

RGB IN	D-sub à 15 broches Voir "Attribution des broches" à la page 35 (F).
--------	--

AUDIO IN (L, R)	Prise phono (×2) 500 mVrms, haute impédance
-----------------	--

LINE (NTSC, PAL)

VIDEO IN	Type BNC (×1) Vidéo composite, 1 Vcc ±2 dB synchro négative, 75 ohms (terminaison automatique)
Y/C IN	Type mini DIN à 4 broches (×1) Y (luminance): 1 Vcc ±2 dB synchro négative, 75 ohms (terminaison automatique) C (chrominance): Salve 0,286 Vcc ±2 dB (NTSC), 75 ohms (terminaison automatique) Salve 0,3 Vcc ±2 dB (PAL) 75 ohms (terminaison automatique)

AUDIO IN (L, R)	Prise phono (×2) 500 mVrms, haute impédance
-----------------	--

VIDEO OUT	Type BNC (×1) boucle directe
Y/C OUT	Type mini DIN à 4 broches (×1) boucle directe

AUDIO OUT (L, R) (sortie variable)	Prise phono (×2) boucle directe
------------------------------------	---------------------------------

MONITOR OUT AUDIO (L, R)

Prise phono (×2) Maximum 500 mVrms, haute impédance
--

CONTROL S (IN, OUT)

Mini prise (stéréo) (×2) 5 Vcc

SPEAKERS	6 à 16 ohms, 7 W + 7 W (lorsque l'impédance est de 8 ohms)
----------	--

Généralités

Puissance de raccordement

100 à 120 V CA, 50/60 Hz, 3,9 A/ 380 W
220 à 240 V CA, 50/60 Hz, 2,0 A/ 360 W

Conditions d'utilisation

Température : 0 à 35°C
Humidité : 20 à 90 % (sans condensation)
Pression atmosphérique : 700 à 1060 mbar

Conditions de stockage/transport

Température : -10 à 40°C
Humidité : 20 à 90 % (sans condensation)
Pression atmosphérique : 700 à 1060 mbar

Dimensions

1036 × 636 × 152 mm

(l/h/p)

Poids

47 kg

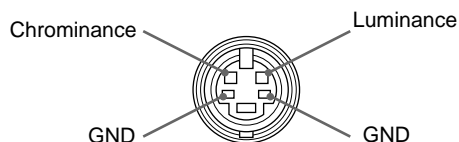
Accessoires fournis

Cordon d'alimentation secteur (1)
Support de prise secteur (1)
Télécommande RM-921 (1)
Piles R6 (AA) (2)
Tore de ferrite (2)
Support de fixation de pied (2)
Vis de support de fixation de pied (6)
Stabilisateur de moniteur (2)
Mode d'emploi (1)

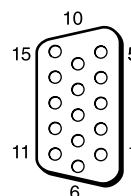
La conception et les spécifications sont sujettes à modifications sans préavis.

Attribution des broches

Prise Y/C (mini DIN à 4 broches)



Connecteur RGB IN (D-sub à 15 broches)



N° de broche	Signal
1	Vidéo rouge ou R-Y
2	Vidéo vert ou Y
3	Vidéo bleu ou B-Y
4	Masse
5	Masse
6	Masse du rouge
7	Masse du vert
8	Masse du bleu
9	Non utilisé
10	Masse
11	Masse
12	SDA
13	Sync H ou sync composite
14	Sync V
15	SCL

ACHTUNG

Um Feuergefahr und die Gefahr eines elektrischen Schlags zu vermeiden, setzen Sie das Gerät weder Regen noch sonstiger Feuchtigkeit aus.

Im Inneren des Geräts liegen gefährlich hohe Spannungen an. Öffnen Sie daher das Gehäuse nicht. Überlassen Sie Wartungsarbeiten stets nur qualifiziertem Fachpersonal.

Für Kunden in Europa

Dies ist eine Einrichtung, welche die Funk-Entstörung nach Klasse A besitzt. Diese Einrichtung kann im Wohnbereich Funkstörungen verursachen; in diesem Fall kann vom Betreiber verlangt werden, angemessene Maßnahmen durchzuführen und dafür aufzukommen.

Für Kunden in Deutschland

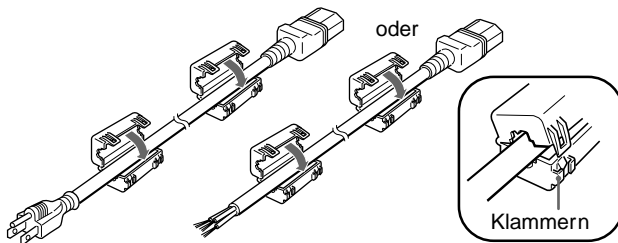
Dieses Gerät ist nur für den Gebrauch in Gewerbe und Leichtindustrie bestimmt. Es entspricht der Klasse A, es erfüllt nicht die Grenzwerte der Klasse B.

HINWEIS

Wenn Sie einen Computer an diesen Monitor anschließen, müssen Sie die mitgelieferten Ferritkerne anbringen. Andernfalls entspricht dieser Monitor nicht den obligatorischen FCC/IC/CE-Standards (EN55022).

Anbringen der Ferritkerne

Bringen Sie die Ferritkerne an beiden Enden des Netzkabels an. Schließen Sie den Deckel fest, bis die Klammern mit einem Klicken einrasten.



Sicherheitsmaßnahmen	4 (D)
Merkmale und Funktionen	5 (D)
Lage und Funktion der Teile und Bedienelemente ..	6 (D)
Vorderseite / Seiten	6 (D)
Bedienfeld	8 (D)
Rechtes Anschlußfeld	9 (D)
Linkes Anschlußfeld	11 (D)
Fernbedienung RM-921	12 (D)
Aufstellen des Monitors	14 (D)
Die versenkbaren Füße	14 (D)
Vorsicht	15 (D)
Anschließen des Monitors	16 (D)
Anschließen des Netzkabels	16 (D)
Anschlußbeispiel	17 (D)
Die Bildschirmmenüs	18 (D)
Arbeiten mit den Menüs	18 (D)
Übersicht über die Menüs	18 (D)
Die Anzeigefunktionen	22 (D)
Auswählen des Bildes	22 (D)
Anzeigen eines Standbildes	22 (D)
Anzeige von Eingangssignal und Monitorstatus	22 (D)
Einstellen der Bildqualität	24 (D)
Einstellen von Kontrast, Helligkeit, Farbe und Phase	24 (D)
Verstärken des Bildkontrasts (AGC-Bildfunktion) ..	25 (D)
Zurücksetzen der Optionen im Menü BILDEINST auf die ursprünglichen Werte	25 (D)
Einstellen von Zoom, Bildgröße und Bildposition	26 (D)
Einstellen der Bildgröße	26 (D)
Einstellen der Bildposition	26 (D)
Vergrößern des Bildes mit der Zoom-Funktion	27 (D)
Zurücksetzen von Bildgröße und -position auf die ursprünglichen Werte	27 (D)
Der Speicher	28 (D)
Speichern der aktuellen Einstellungen	28 (D)
Aufrufen der gespeicherten Einstellungen	28 (D)
Automatische Ausschaltfunktion bei fehlendem Eingangssignal (Energiesparfunktion)	30 (D)
Auswählen der Menüsprache	31 (D)
Selbstdiagnosefunktion	31 (D)
Steuern eines bestimmten Monitors über die Fernbedienung	32 (D)
Verwenden einer anderen Fernbedienung	33 (D)
Technische Daten	34 (D)

Sicherheitsmaßnahmen

Sicherheit

- Betreiben Sie das Gerät an 100 bis 120 V Wechselstrom oder 220 bis 240 V Wechselstrom.
- Das Typenschild mit Betriebsspannung, Leistungsaufnahme usw. befindet sich an der Geräterückseite.
- Sollten Fremdkörper oder Flüssigkeiten in das Gehäuse gelangen, trennen Sie das Gerät von der Netzsteckdose. Lassen Sie das Gerät von qualifiziertem Fachpersonal überprüfen, bevor Sie es wieder benutzen.
- Wollen Sie das Gerät einige Tage oder länger nicht benutzen, ziehen Sie den Netzstecker aus der Steckdose.
- Um das Gerät vom Netzstrom zu trennen, ziehen Sie den Netzstecker aus der Netzsteckdose. Ziehen Sie nicht am Kabel.
- Wenn der Monitor auf dem Boden aufgestellt wird, verwenden Sie bitte unbedingt die versenkbaren Füße.

Aufstellung

- Achten Sie auf ausreichende Luftzufuhr, damit sich im Gerät kein Wärmestau bildet. Stellen Sie das Gerät nicht auf Oberflächen wie Teppichen oder Decken oder in der Nähe von Materialien wie Gardinen und Wandbehängen auf, die die Lüftungsöffnungen blockieren könnten.
- Stellen Sie das Gerät nicht in der Nähe von Wärmequellen wie Heizkörpern oder Warmluftauslässen oder an Orten auf, an denen es direktem Sonnenlicht, außergewöhnlich viel Staub, mechanischen Vibrationen oder Stößen ausgesetzt ist.
- Wenn Sie mehrere andere Geräte an dieses Gerät anschließen, kann es je nach Standort dieses Geräts und der anderen Geräte zu folgenden Störungen kommen: Fehlfunktionen der Fernbedienung, Bildstörungen und Tonstörungen.

Plasmabildschirm

- Auf dem Plasmabildschirm sind möglicherweise kleine schwarze und/oder helle Bildpunkte zu sehen. Dies ist normal.
- Lassen Sie nicht für lange Zeit dasselbe Standbild ununterbrochen anzeigen. Andernfalls kann auf einem Bereich des Bildschirms ein Nachbild zu sehen sein, da die Helligkeit des Bildes aufgrund der ununterbrochenen Anzeige sehr hoch werden kann. Aktivieren Sie in einem solchen Fall einen Bildschirmschoner, damit die Anzeige wechselt.

Reinigung

Damit das Gerät immer wie neu aussieht, reinigen Sie es regelmäßig mit einem milden Reinigungsmittel. Verwenden Sie keine Lösungsmittel wie Verdüner oder Benzin und keine Scheuermittel, da sie die Gehäuseoberfläche angreifen. Trennen Sie zur Sicherheit das Gerät vor dem Reinigen von der Stromversorgung.

Verpacken

Werfen Sie den Karton und das Verpackungsmaterial nicht weg. Sie eignen sich ideal zum Transportieren des Geräts. Wenn Sie das Gerät an einen anderen Ort transportieren müssen, verpacken Sie es wieder so, wie auf dem Karton dargestellt.

Wenn Sie Fragen zu dem Gerät haben, wenden Sie sich bitte an einen autorisierten Sony-Händler.

Merkmale und Funktionen

Der PFM-500A1WE ist ein 16:9-Flachmonitor (42 Zoll) mit einem Plasmabildschirm. Dank des integrierten Bildraasterwandlers ist er für verschiedene Signaltypen geeignet.

Bildraasterwandler

Mit diesem Gerät können unterschiedliche Signaltypen, zum Beispiel RGB-, Farbdifferenz-, FBAS- oder Y/C-Signale, in ein Format mit 480 Zeilen konvertiert werden.

Darüber hinaus konvertiert das Gerät Eingangssignale mit niedriger Abtastgeschwindigkeit in Signale mit hoher Abtastgeschwindigkeit und bietet Möglichkeiten der Bildmanipulation, zum Beispiel Zoomen oder Standbildanzeigen.

ID-Steuerung

Anhand der Indexnummer können Sie unter mehreren Monitoren einen bestimmten steuern.

Die Bildschirmmenüs

Sie können die nötigen Einstellungen mit Hilfe der Bildschirmmenüs vornehmen.

Control-S-Signal

Mit Hilfe des Control-S-Signals können Sie mehrere Monitore und einen Videorecorder über einen einzigen Monitor fernsteuern.

Weitere Funktionen

- Dreidimensionaler Kammfilter für die Trennung der Y/C-Signale bei NTSC.
- Zeilenkorrelationskammfilter für die Trennung der Y/C-Signale bei PAL.
- Zoom (bis zu 4fach).
- Kann mit Infrarot- oder Kabelfernbedienung von Sony eingesetzt werden, sofern diese mit dem SIRCS-Code arbeitet.
- Drei Gruppen von Video-/Audioeingängen: FBAS- bzw. Y/C-Eingang, RGB-Eingang, RGB-/Farbdifferenzsignaleingang.
- Zeigt das HDTV-Signal mit dreistufigem Synchronisationssignal an.
- Speicher für bis zu fünf Bildeinstellungen.
- Automatische Eingangssignalerkennung mit Anzeige.
- Kompatibel mit PnP (Plug and Play) von Windows95¹⁾.
- Benutzerfreundliche Bildschirmmenüs in fünf Sprachen.
- Energiesparfunktion.
- Selbstdiagnosefunktion.
- AGC-Bildfunktion — mit dieser Funktion wird der Kontrast automatisch eingestellt und verbessert, wenn ein schwaches Signal eingeht.

Warnhinweis zum Netzanschluß

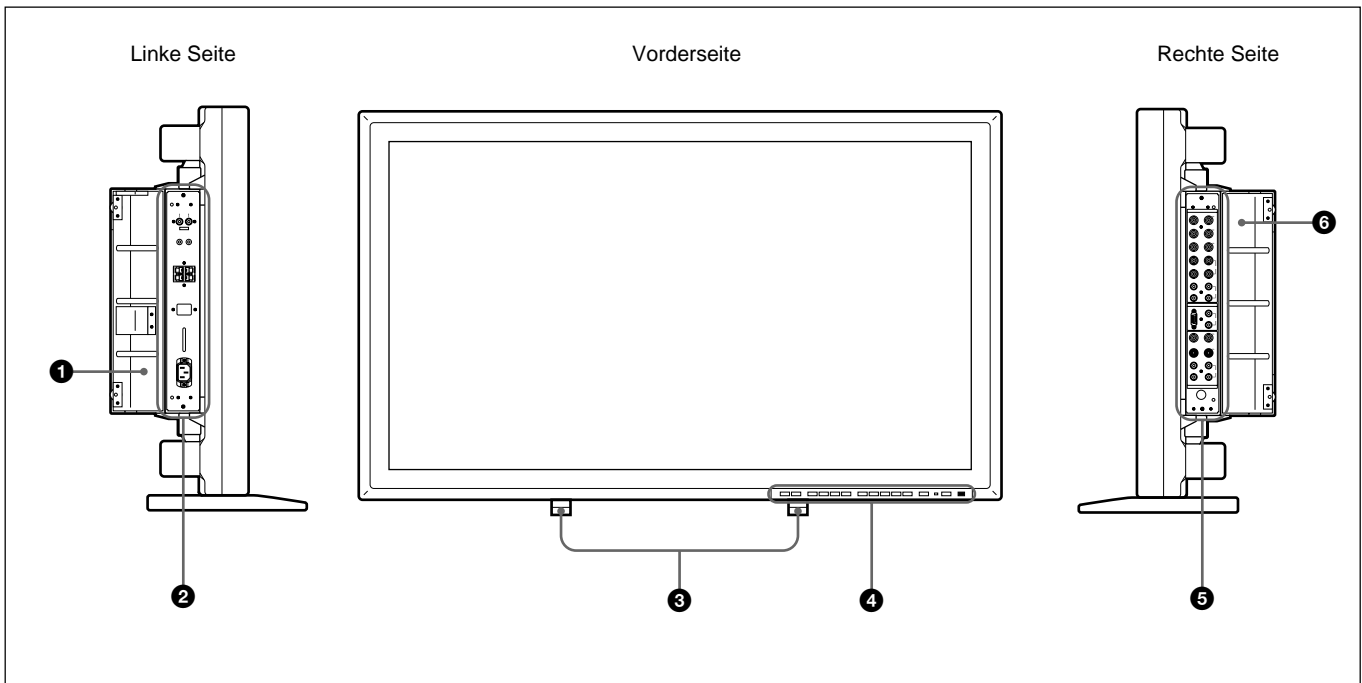
Verwenden Sie das für die Stromversorgung in Ihrem Land geeignete Netzkabel.

	USA, Kanada	Kontinental- europa	Großbritannien, Irland, Australien, Neuseeland	Japan
Steckertyp	VM0033B	COX-07 636	—	VM1296
Weibliches Ende	VM0113	COX-02 VM0310B	VM0310B	VM1313
Kabeltyp	SJT	H05VV-F	CEE (13) 53rd (O.C)	HVCTF
Mindestwerte (Kabel)	13A/125V	10A/250V	10A/250V	10A/125V
Sicherheitszertifizierung	UL/CSA	VDE	VDE	DENTORI

1) Windows95 ist ein eingetragenes Warenzeichen der Microsoft Corporation.

Lage und Funktion der Teile und Bedienelemente

Vorderseite / Seiten



1 Linke Anschlussfeldabdeckung

Öffnen Sie diese Abdeckung, wenn Sie das linke Anschlussfeld benutzen.

An der Innenseite dieser Abdeckung können Sie die Fernbedienung anbringen.

Hinweise zum Öffnen der Anschlussfeldabdeckung finden Sie rechts auf dieser Seite.

2 Linkes Anschlussfeld

Einzelheiten zum linken Anschlussfeld finden Sie unter "Linkes Anschlussfeld" auf Seite 11(D).

3 Versenkbare Füße

Dienen zum Aufstellen des Monitors auf dem Boden.

Näheres zu den versenkbaren Füßen finden Sie unter "Die versenkbaren Füße" auf Seite 14(D).

4 Bedienfeld

Einzelheiten zum Bedienfeld finden Sie unter "Bedienfeld" auf Seite 8(D).

5 Rechtes Anschlussfeld

Einzelheiten zum rechten Anschlussfeld finden Sie unter "Rechtes Anschlussfeld" auf Seite 9(D).

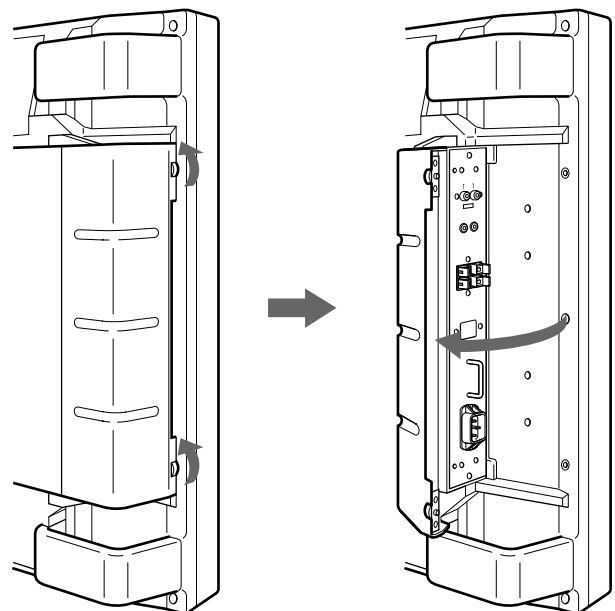
6 Rechte Anschlussfeldabdeckung

Öffnen Sie diese Abdeckung, wenn Sie das rechte Anschlussfeld benutzen.

Hinweise zum Öffnen der Anschlussfeldabdeckung finden Sie rechts auf dieser Seite.

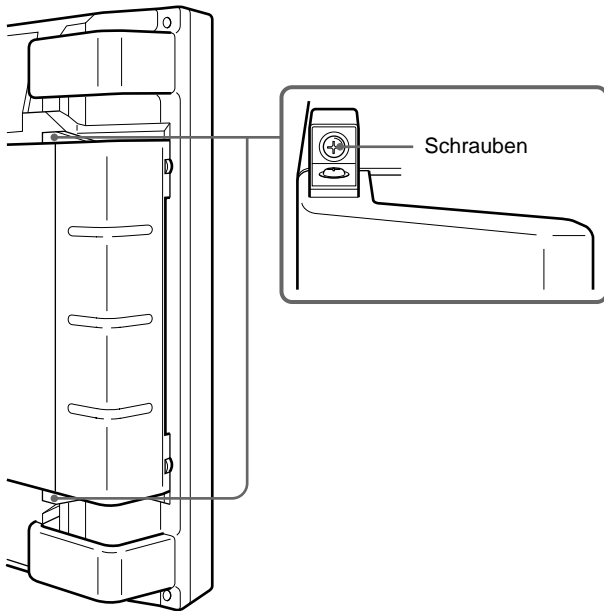
So öffnen Sie die Anschlussfeldabdeckung

Lösen Sie die Schrauben, indem Sie sie gegen den Uhrzeigersinn drehen, und öffnen Sie die Abdeckung.



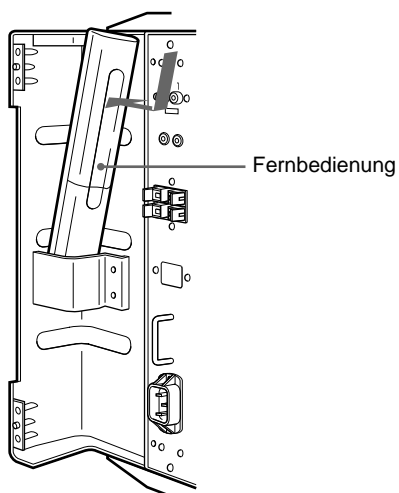
So nehmen Sie die Anschlußfeldabdeckung ab

Lösen Sie die Schrauben wie in der Abbildung unten dargestellt, und nehmen Sie die Anschlußfeldabdeckung ab.



So bringen Sie die Fernbedienung in der Anschlußfeldabdeckung an

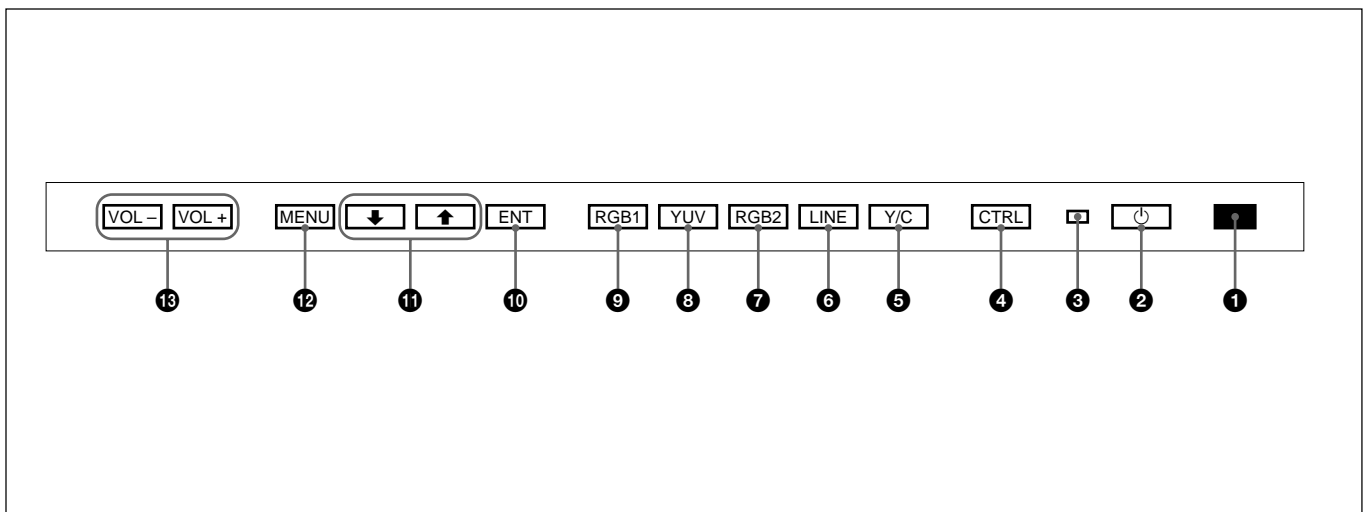
Bringen Sie die Fernbedienung wie in der Abbildung unten dargestellt an der Innenseite der linken Anschlußfeldabdeckung an.



Hinweis

Wenn Sie die Fernbedienung anbringen, achten Sie darauf, daß die Oberseite der Fernbedienung nach oben und die Rückseite nach außen weist.

Bedienfeld



1 Fernbedienungsdetektor

Hier geht das Signal von der Fernbedienung ein.

2 Schalter $\text{\textcircled{P}}$ (Bereitschaft)/Anzeige $\text{\textcircled{P}}$ (Bereitschaft)

Zum Einschalten des Monitors. Durch erneutes Drücken schalten Sie wieder in den Bereitschaftsmodus.

Die Anzeige $\text{\textcircled{P}}$ (Bereitschaft) leuchtet im Bereitschaftsmodus rot auf.

Wenn die Anzeige $\text{\textcircled{P}}$ blinkt, schlagen Sie unter "Selbstdiagnosefunktion" auf Seite 31(D) nach.

3 Netzanzeige

Leuchtet auf, wenn der Monitor eingeschaltet wird. Blinkt im Energiesparmodus.

Näheres zum Energiesparmodus finden Sie unter "Automatische Ausschaltfunktion bei fehlendem Eingangssignal (Energiesparfunktion)" auf Seite 30(D).

4 Taste CTRL (Steuerung)

Wenn Sie die Tasten auf dem Bedienfeld verwenden wollen, müssen Sie zuerst diese Taste drücken. Die anderen Tasten leuchten dann auf oder blinken und sind damit bereit. Drücken Sie die Taste nochmals, um die anderen Tasten zu deaktivieren.

Hinweis

Die Tasten (außer dem Schalter $\text{\textcircled{P}}$ (Bereitschaft) 2) auf dem Bedienfeld funktionieren nur, wenn Sie zuvor die Taste CTRL drücken.

5 Taste Y/C

Zum Auswählen des über den LINE-Anschluß Y/C IN eingespeisten Signals.

6 Taste LINE

Zum Auswählen des über den LINE-Anschluß VIDEO IN eingespeisten Signals.

7 Taste RGB2

Zum Auswählen des Signals, das über die RGB2-Anschlüsse eingespeist wird.

8 Taste YUV

Zum Auswählen des Farbdifferenzsignals, das über die RGB1-Anschlüsse eingespeist wird.

9 Taste RGB1

Zum Auswählen des RGB-Signals, das über die RGB1-Anschlüsse eingespeist wird.

10 Taste ENT (Eingabe)

Zum Auswählen der gewünschten Option in einem Menü.

11 Tasten \uparrow/\downarrow

Zum Bewegen des Cursors (\blacktriangleright) zu einer Option bzw. zum Einstellen eines Werts in einem Menü.

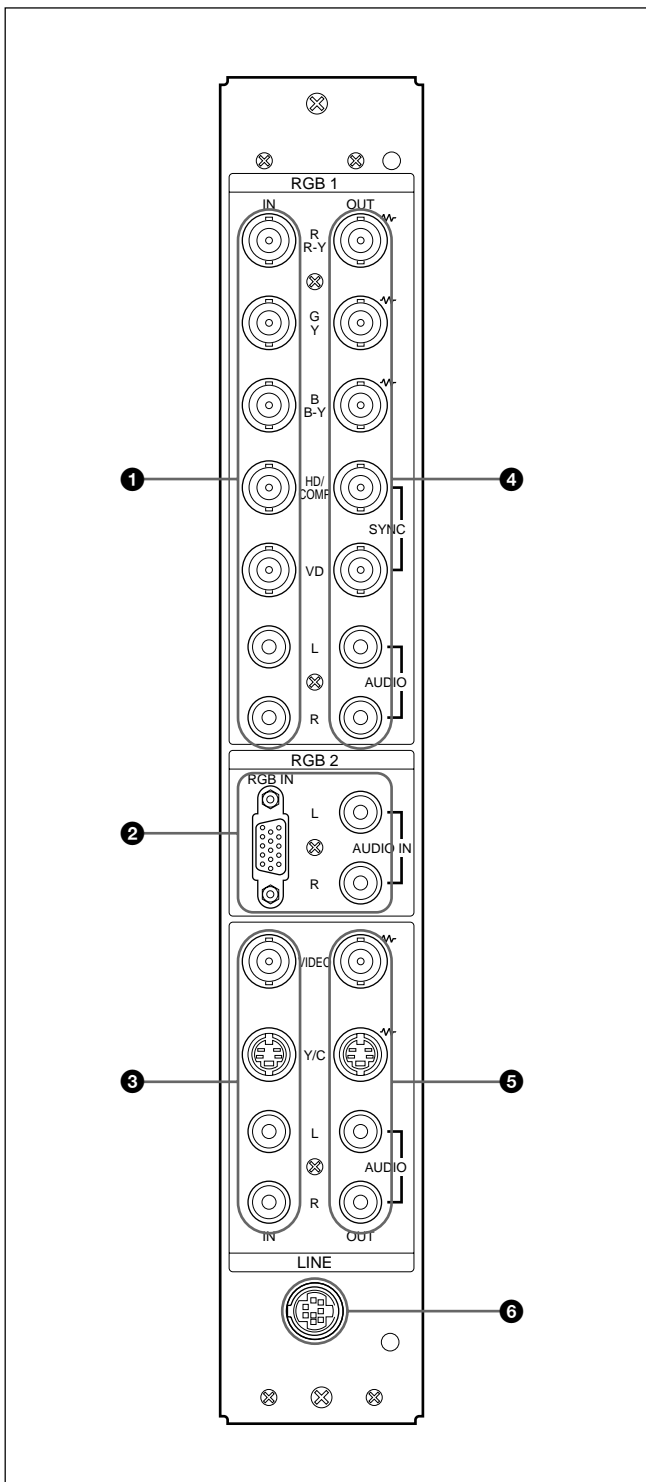
12 Taste MENU

Zum Aufrufen des Menüs.

13 Tasten VOL (Lautstärke) +/-

Mit der Taste + erhöhen Sie die Lautstärke, mit der Taste - verringern Sie sie.

Rechtes Anschlußfeld



1 RGB1 IN-Anschlüsse

R (R-Y)/G (Y)/B (B-Y) IN (BNC-Anschlüsse):

Eingang für ein analoges RGB- oder Farbdifferenzsignal. Zum Anschließen an den RGB- oder Farbdifferenzsignalausgang (Y/B-Y/R-Y) eines Computers oder Videogeräts.

Mit diesem Gerät können Sie auch ein analoges HD-Farbdifferenzsignal (Y/Pb/Pr) einspeisen. Speisen Sie das Pb-Signal am Anschluß B (B-Y) IN und das Pr-Signal am Anschluß R (R-Y) IN ein.

HD/COMP IN (BNC-Anschluß): Eingang für ein H-Synchronisationssignal oder ein zusammengesetztes Synchronisationssignal. Zum Anschließen an den Ausgang für das H-Synchronisationssignal oder das zusammengesetzte Synchronisationssignal eines Computers oder Videogeräts.

VD IN (BNC-Anschluß): Eingang für ein V-Synchronisationssignal. Zum Anschließen an den Ausgang für das V-Synchronisationssignal eines Computers oder Videogeräts.

Das externe Synchronisationssignal wird automatisch ausgewählt. Sehen Sie dazu in der Tabelle unten nach.

Eingang	Eingespeistes Synchronisationssignal		
HD/COMP IN	H-Sync.	Zusammengesetzt	—
VD IN	V-Sync.	—	—
G(Y) IN	Grün mit Sync.	Grün mit Sync.	Grün mit Sync.
Ausgewähltes Synchronisationssignal	H-Sync. V-Sync.	Zusammengesetzt	Grün mit Sync.

AUDIO IN (L/R) (Cinchbuchsen): Eingang für das Audiosignal. Zum Anschließen an den Audioausgang eines Computers oder Videogeräts. Wenn das Audiosignal monaural ist, verbinden Sie diese Buchse bitte mit dem linken (L) Audiokanal.

2 RGB2 IN-Anschlüsse

RGB IN (D-sub 15polig): Zum Anschließen an den RGB-Signalausgang eines Computers.

AUDIO IN (L/R) (Cinchbuchsen): Eingang für das Audiosignal. Zum Anschließen an den Audioausgang eines Computers. Wenn das Audiosignal monaural ist, verbinden Sie diese Buchse bitte mit dem linken (L) Audiokanal.

(Fortsetzung)

③ LINE IN-Eingänge

VIDEO IN (BNC-Anschluß): Zum Anschließen an den FBAS-Signalausgang eines Videogeräts.

Y/C IN (Mini-DIN, 4polig): Zum Anschließen an den Y/C-Signalausgang eines Videogeräts.

AUDIO IN (L/R) (Cinchbuchsen): Zum Anschließen an den Audioausgang eines Videogeräts. Wenn das Audiosignal monaural ist, verbinden Sie diese Buchse bitte mit dem linken (L) Audiokanal.

④ RGB1 OUT-Anschlüsse

Diese Anschlüsse dienen als Durchschleifausgänge für die RGB1 IN-Anschlüsse ①.

Wenn ein Kabel an die RGB OUT-Anschlüsse angeschlossen ist, wird der 75-Ohm-Abschlußwiderstand der RGB IN-Anschlüsse aufgehoben, und das über die RGB IN-Anschlüsse eingespeiste Signal wird an diesen Anschlüssen ausgegeben.

R (R-Y)/G (Y)/B (B-Y) OUT (BNC-Anschlüsse): Durchschleifausgänge der RGB IN-Anschlüsse. Zum Anschließen an den RGB- oder Farbdifferenzsignaleingang (Y/B-Y/R-Y) eines anderen Monitors.

HD/COMP OUT (BNC-Anschluß):

Durchschleifausgang des Anschlusses HD/COMP IN. Zum Anschließen an den Eingang für das H-Synchronisationssignal oder das zusammengesetzte Synchronisationssignal eines anderen Monitors.

VD OUT (BNC-Anschluß): Durchschleifausgang des Anschlusses VD IN. Zum Anschließen an den Eingang für das V-Synchronisationssignal eines anderen Monitors.

Hinweis

Die Anschlüsse HD/COMP OUT und VD OUT sind Hochimpedanzausgänge.

Wenn Sie diese Ausgänge benutzen, schließen Sie einen Monitor mit Hochimpedanzsynchronisationseingang an. Andernfalls wird aufgrund der Diskrepanz beim Synchronisationssignalpegel unter Umständen ein oszillierendes oder gar kein Bild angezeigt.

AUDIO OUT (L/R) (Cinchbuchsen):

Durchschleifausgänge für die AUDIO IN-Buchsen. Zum Anschließen an die Audioeingänge eines anderen Monitors.

⑤ LINE OUT-Anschlüsse

Diese Anschlüsse dienen als Durchschleifausgänge für die LINE IN-Anschlüsse ③.

Wenn ein Kabel an den Anschluß VIDEO OUT oder die Buchse Y/C OUT angeschlossen ist, wird der 75-Ohm-Abschlußwiderstand des Anschlusses VIDEO IN bzw. der Buchse Y/C IN aufgehoben, und das über die Buchsen VIDEO IN oder Y/C IN eingespeiste Signal wird am Anschluß VIDEO OUT oder an der Buchse Y/C OUT ausgegeben.

VIDEO OUT (BNC-Anschluß): Zum Anschließen an den FBAS-Signaleingang eines anderen Monitors oder Videogeräts.

Y/C OUT (Mini-DIN, 4polig): Zum Anschließen an den Y/C-Signaleingang eines anderen Monitors oder Videogeräts.

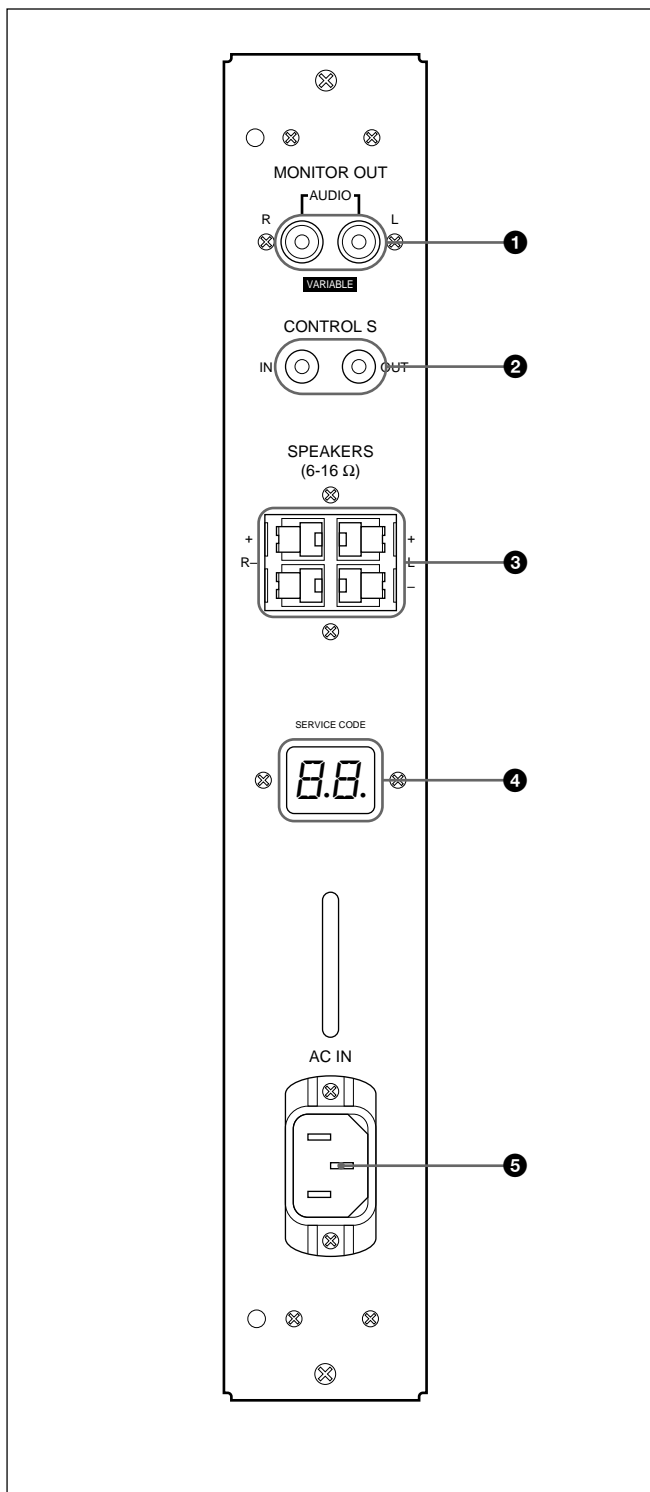
AUDIO OUT (L/R) (Cinchbuchsen):

Durchschleifausgänge für die AUDIO IN-Buchsen. Zum Anschließen an die Audioeingänge eines anderen Monitors oder Videogeräts.

⑥ Service-Anschluß (Mini-DIN, 8polig)

Dieser Anschluß ist nur für qualifiziertes Fachpersonal bestimmt.

Linkes Anschlußfeld



1 Buchsen MONITOR OUT AUDIO (L/R) (Cinchbuchsen)

Zum Ausgeben der Signale, die an den Buchsen AUDIO IN eingespeist werden. Zum Anschließen an die Audioeingänge eines Audioverstärkers (nicht mitgeliefert).

Hinweis

Diese Buchsen sind variable Ausgänge. Wenn Sie den Lautstärkereger in die maximale Position stellen, wird der Ausgangspegel auf 500 mV effektiver Mittelwert eingestellt.

2 Buchsen CONTROL S IN/OUT (Minibuchsen)

Zum Anschließen an die Buchsen CONTROL S von Videogeräten oder anderen Monitoren. Sie können dann alle Geräte gleichzeitig mit einer einzigen Fernbedienung steuern.

Wenn Sie ein Gerät steuern wollen, indem Sie die mitgelieferte Fernbedienung auf den Fernbedienungsdetektor des Monitors richten, verbinden Sie die Buchse CONTROL S OUT des Monitors mit der Buchse CONTROL S IN des anderen Geräts.

Hinweise

- Wenn Sie die Buchse CONTROL S IN mit der Buchse CONTROL S OUT am anderen Gerät verbinden, können Sie den Monitor nicht mit der Fernbedienung steuern.
- Sie können ein Stereokabel mit Ministecker statt des Control-S-Kabels benutzen.

3 Lautsprecheranschlüsse SPEAKERS L/R

Zum Anschließen von Lautsprechern mit einer Impedanz von 6 bis 16 Ohm.

Hinweis

Schließen Sie das Lautsprecherkabel nicht gleichzeitig an den Monitor und an einen Verstärker an. Andernfalls kann Überlaststrom vom Verstärker eingespeist werden und den Monitor beschädigen.

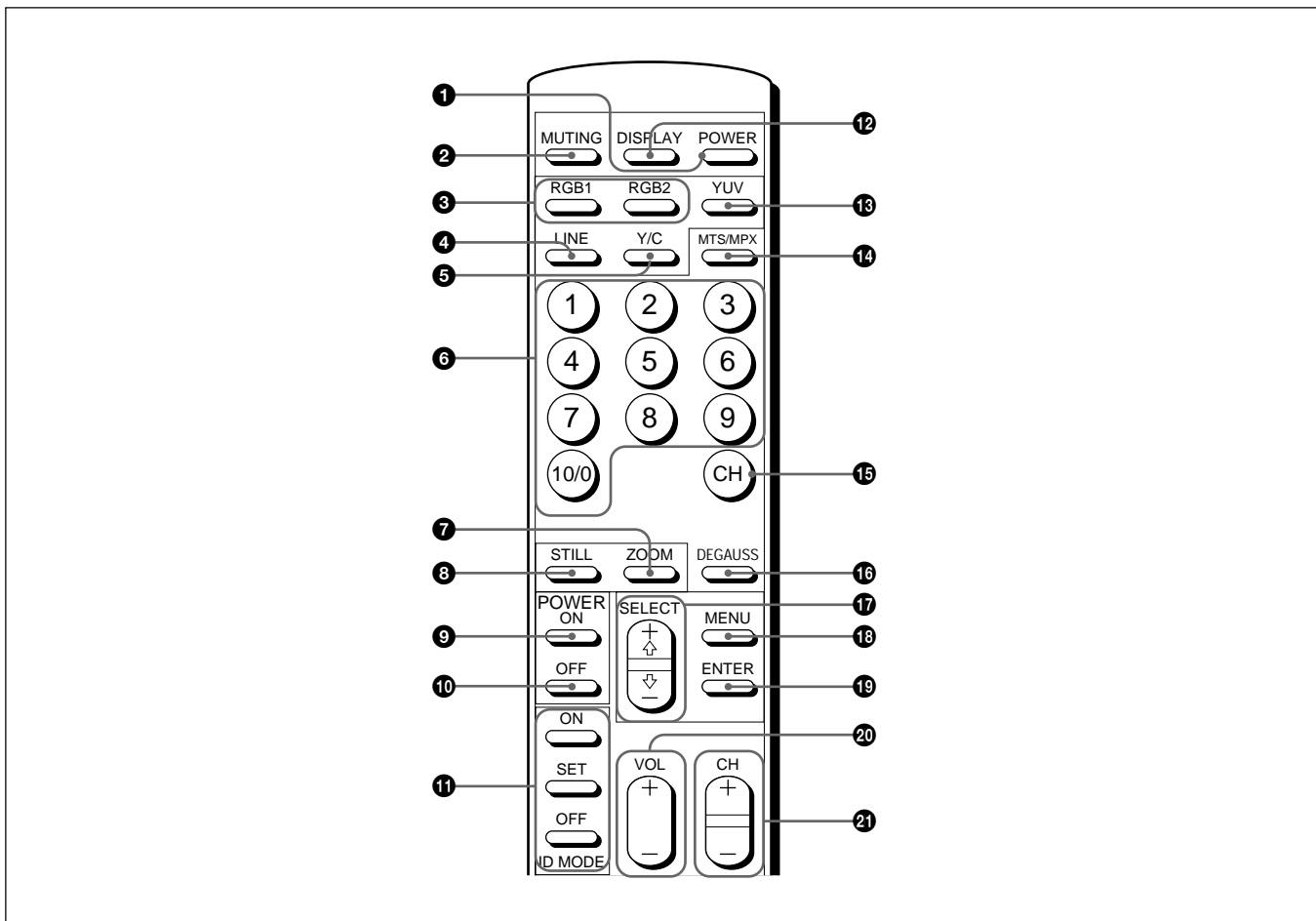
4 Anzeige SERVICE CODE

Diese Anzeige ist nur für qualifiziertes Fachpersonal bestimmt.

5 Netzbuchse ~ AC IN

Schließen Sie das mitgelieferte Netzkabel an diese Buchse und an eine Netzsteckdose an. Sobald Sie das Netzkabel angeschlossen haben, wechselt der Monitor in den Bereitschaftsmodus.

Fernbedienung RM-921



1 Netzschalter POWER

Zum Einschalten des Monitors. Durch erneutes Drücken schalten Sie wieder in den Bereitschaftsmodus.

Hinweis

Wenn Sie mehrere Monitore benutzen, schalten Sie mit diesem Schalter bereits eingeschaltete Monitore in den Bereitschaftsmodus, und Monitore, die sich im Bereitschaftsmodus befinden, werden eingeschaltet.

2 Taste MUTING

Zum Stummschalten des Tons. Wenn Sie nochmals diese Taste oder die Taste VOL (Lautstärke) +/- drücken, ist der Ton wieder zu hören.

3 Tasten RGB1/RGB2

Zum Auswählen des Eingangssignals von den RGB1- oder RGB2-Anschlüssen.

4 Taste LINE

Zum Auswählen des über den LINE-Anschluß VIDEO IN eingespeisten Signals.

5 Taste Y/C

Zum Auswählen des über den LINE-Anschluß Y/C IN eingespeisten Signals.

6 Zahlentasten

Dienen zum Eingeben der Indexnummer.

7 Taste ZOOM

Dient zum Einstellen des Zoom. Bei jedem Tastendruck auf ZOOM wird das Bild vergrößert, und zwar um das Zwei-, Drei- bzw. das Vierfache.

8 Taste STILL

Zeigt das Bild auf dem Monitor als Standbild an. Wenn Sie die Taste erneut drücken, erscheint wieder die normale Anzeige.

9 Schalter POWER ON

Zum Einschalten des Monitors. Wenn Sie mit mehreren Monitoren arbeiten und diesen Schalter statt des Netzschalters POWER 1 verwenden, werden andere Monitore, die bereits eingeschaltet sind, nicht ausgeschaltet.

10 Schalter POWER OFF

Mit diesem Schalter wird der Monitor in den Bereitschaftsmodus geschaltet. Wenn Sie mit mehreren Monitoren arbeiten und diesen Schalter statt des Netzschalters POWER 1 verwenden, werden andere Monitore, die sich bereits im Bereitschaftsmodus befinden, nicht eingeschaltet.

11 ID MODE-Tasten (ON/SET/OFF)

Wenn Sie die Taste ON drücken, erscheint eine Indexnummer auf dem Bildschirm. Geben Sie dann die Indexnummer des Monitors ein, den Sie bedienen wollen, und drücken Sie die Taste SET. Danach schalten Sie mit der Taste OFF wieder in den normalen Modus.

12 Taste DISPLAY

Zum Anzeigen von Informationen zum Eingangssignal oben auf dem Monitorbildschirm. Drücken Sie die Taste nochmals, wenn Sie die Informationen wieder ausblenden wollen.

13 Taste YUV

Zum Auswählen des Farbdifferenzsignals, das über die RGB1-Anschlüsse eingespeist wird.

14 Taste MTS/MPX

Diese Taste hat bei diesem Monitor keine Funktion.

15 Taste CH

Diese Taste hat bei diesem Monitor keine Funktion.

16 Taste DEGAUSS

Diese Taste hat bei diesem Monitor keine Funktion.

17 Tasten SELECT +↑/−↓

Zum Bewegen des Cursors (▶) zu einer Option bzw. zum Einstellen eines Werts in einem Menü.

18 Taste MENU

Zum Aufrufen des Menüs.

19 Taste ENTER

Zum Auswählen der gewünschten Option in einem Menü.

20 Lautstärketasten VOL +/-

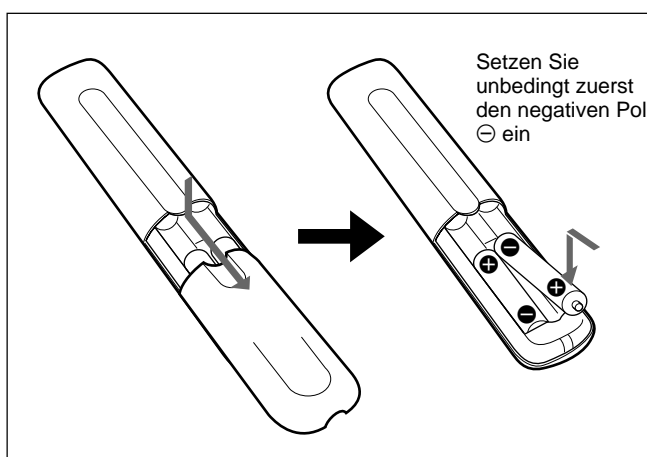
Mit der Taste + erhöhen Sie die Lautstärke, mit der Taste – verringern Sie sie.

21 Tasten CH +/-

Diese Tasten haben bei diesem Monitor keine Funktion.

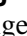
Einlegen der Batterien

Legen Sie zwei R6-Batterien der Größe AA polaritätsrichtig ein.



- Unter normalen Bedingungen halten die Batterien bis zu einem halben Jahr lang. Wenn die Fernbedienung nicht ordnungsgemäß funktioniert, sind die Batterien möglicherweise erschöpft. Tauschen Sie sie gegen neue aus.
- Wenn Sie die Fernbedienung längere Zeit nicht benutzen wollen, nehmen Sie die Batterien heraus, um Schäden durch auslaufende Batterien zu vermeiden.

Wenn die Fernbedienung nicht funktioniert

Sehen Sie nach, ob die Anzeige  leuchtet. Sie können den Monitor nur mit der Fernbedienung steuern, wenn er eingeschaltet ist oder wenn er sich im Bereitschaftsmodus befindet.

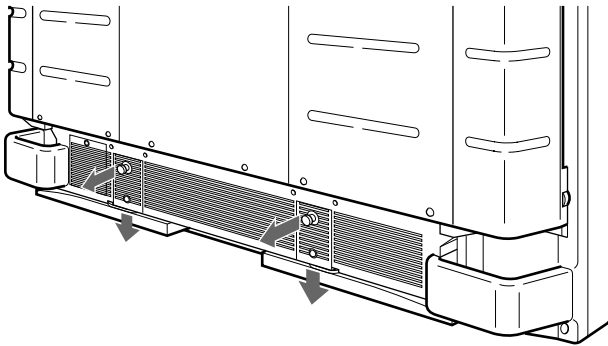
Hinweis

Wenn Sie ein Kabel an die Buchse CONTROL S IN an der Seite des Monitors anschließen, läßt sich der Monitor nicht mit der Fernbedienung steuern.

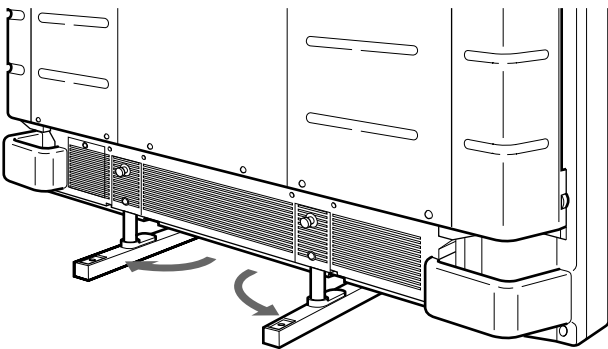
Aufstellen des Monitors

Die versenkbaren FüÙe

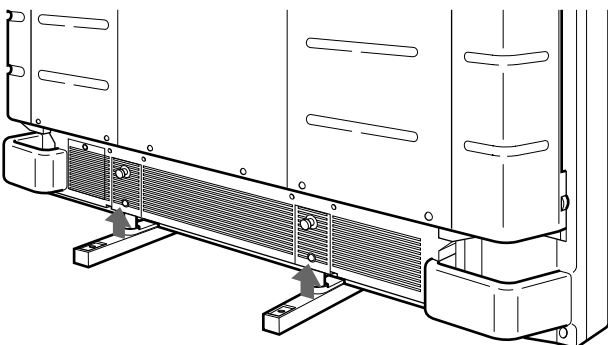
- 1 Ziehen Sie die Knöpfe heraus, und ziehen Sie die versenkbaren FüÙe nach unten.



- 2 Drehen Sie die versenkbaren FüÙe nach außen.

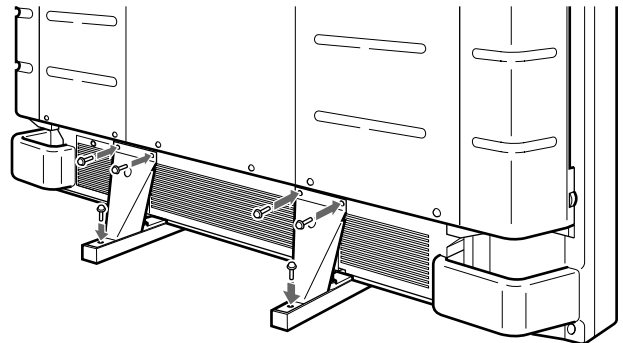


- 3 Schieben Sie die versenkbaren FüÙe zurück, so daß sie einrasten.



So stabilisieren Sie die versenkbaren FüÙe

Wenn der Monitor auf dem Boden aufgestellt wird, müssen Sie die versenkbaren FüÙe stabilisieren. Bringen Sie die Halterungen für die Fußstützen wie in der Abbildung unten dargestellt an.

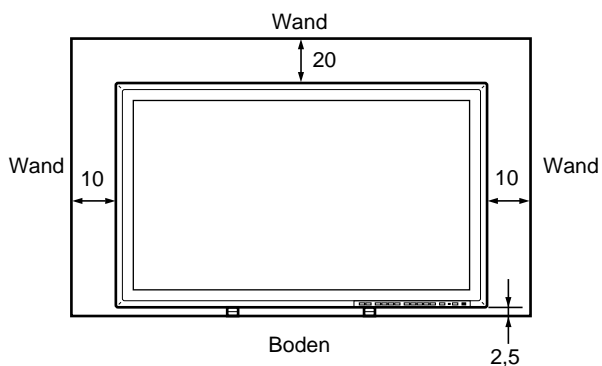


Vorsicht

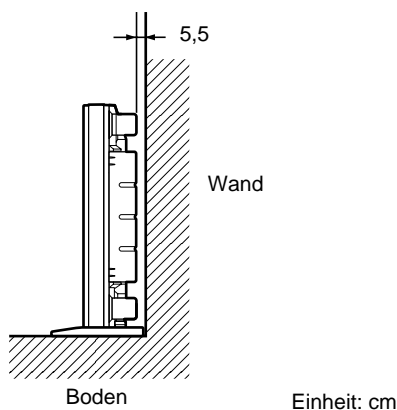
- Achten Sie bei der Installation des Monitors darauf, daß der Abstand größer ist als in der Abbildung unten dargestellt.
- Die Umgebungstemperatur muß zwischen 0°C – $+35^{\circ}\text{C}$ betragen.

Bei Verwendung der versenkbaren FüÙe

Vorderseite

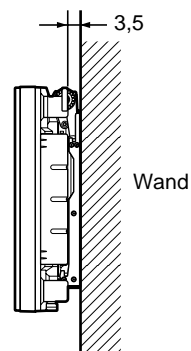


Seite



Einheit: cm

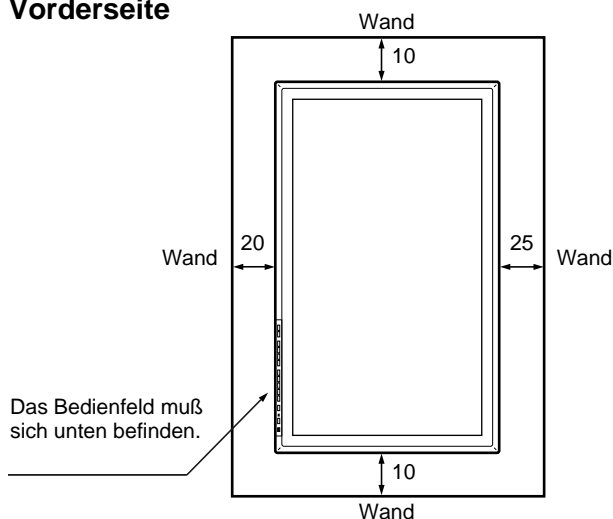
Seite



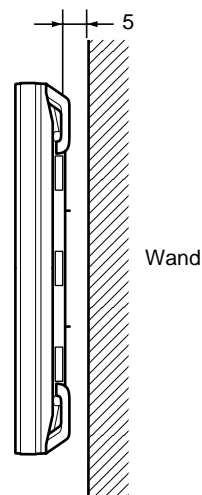
Einheit: cm

An der Wand montiert: vertikal

Vorderseite



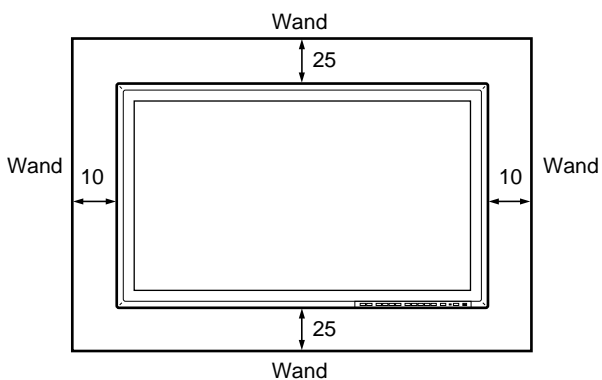
Seite



Einheit: cm

Bei Verwendung der Montagehalterung

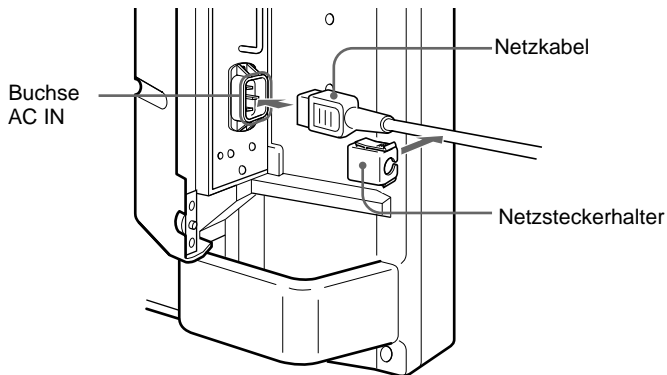
Vorderseite



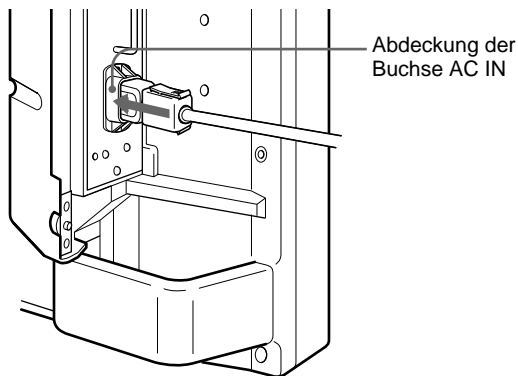
Anschließen des Monitors

Anschließen des Netzkabels

- 1 Schließen Sie das Netzkabel an die Buchse AC IN an. Bringen Sie dann den Netzsteckerhalter (mitgeliefert) am Netzkabel an.



- 2 Schieben Sie den Netzsteckerhalter über das Kabel, bis er mit der Abdeckung der Buchse AC IN verbunden ist.



So nehmen Sie das Netzkabel ab

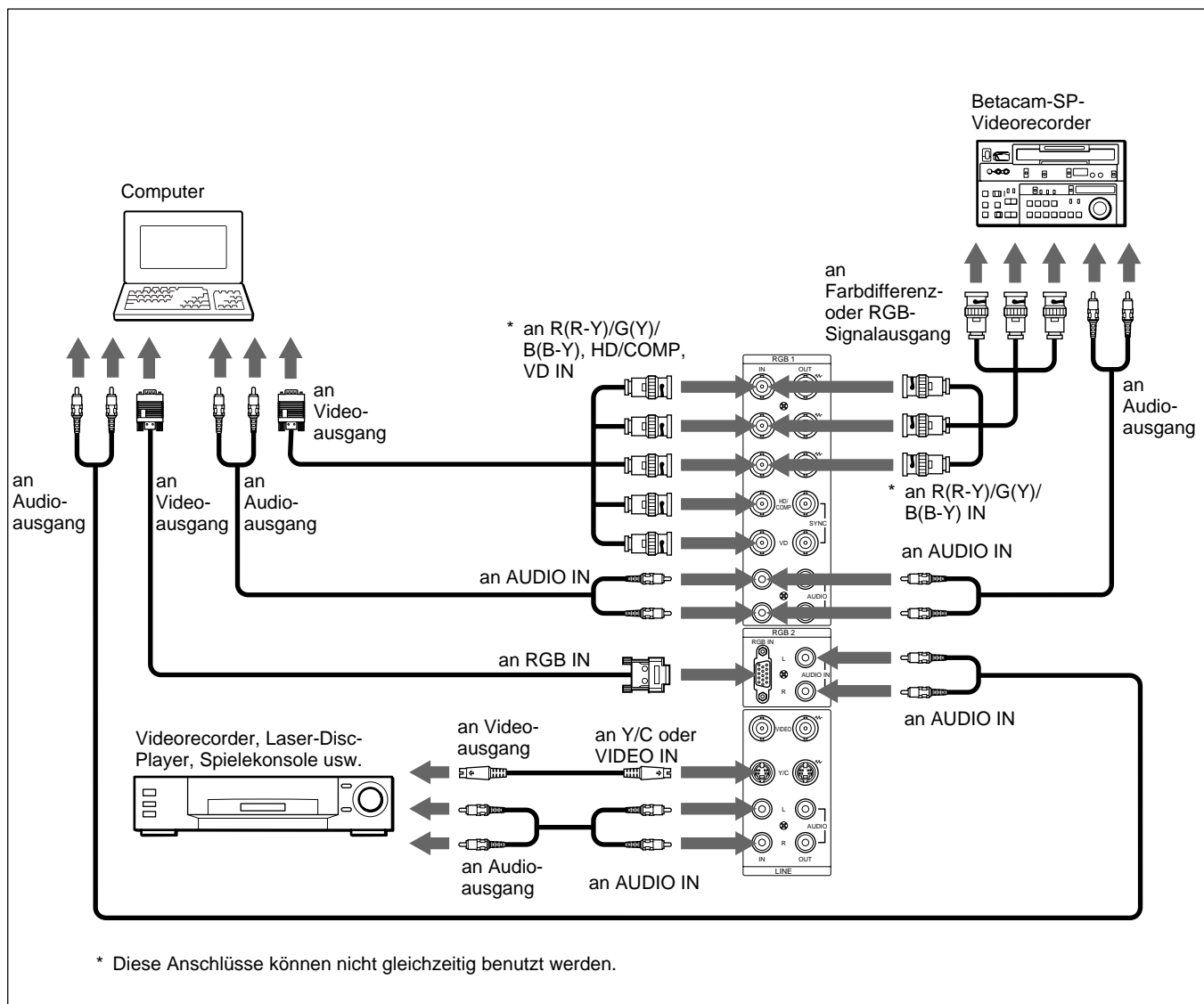
Drücken Sie oben und unten auf den Netzsteckerhalter, und ziehen Sie ihn heraus.

Anschlußbeispiel

Vorbereitungen

- Achten Sie darauf, daß alle Geräte ausgeschaltet sind.
- Verwenden Sie nur Kabel, die für die anzuschließenden Geräte geeignet sind.
- Achten Sie darauf, die Kabelstecker fest in die Buchsen zu stecken. Eine lose Verbindung kann Störungen verursachen.

- Ziehen Sie, um ein Kabel zu lösen, immer am Stecker, niemals am Kabel.
- Schlagen Sie bitte auch in den Bedienungsanleitungen zu den anzuschließenden Geräten nach.

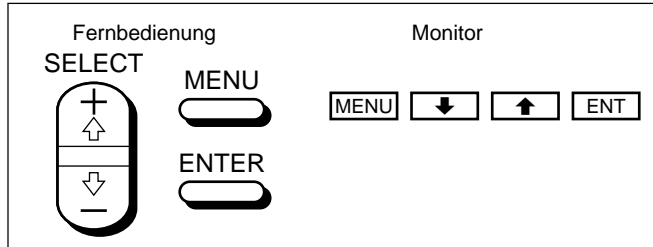


Die Bildschirmmenüs

Arbeiten mit den Menüs

Menütasten

Zur Arbeit mit den Menüs stehen am Monitor und auf der Fernbedienung vier Menütasten zur Verfügung.



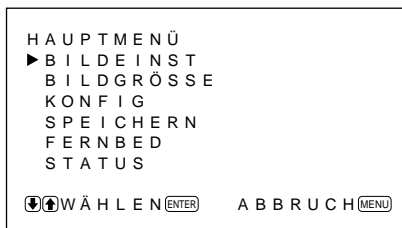
In dieser Bedienungsanleitung werden zum Beschreiben der Verfahren die Tasten auf dem Bedienfeld verwendet.

Die Taste ENTER auf der Fernbedienung hat dieselbe Funktion wie die Taste ENT auf dem Bedienfeld, und die Tasten SELECT + \uparrow / \downarrow auf der Fernbedienung entsprechen den Tasten \uparrow / \downarrow auf dem Bedienfeld.

Menükonfiguration

Erläuterungen zum Auswählen der Menüsprache finden Sie auf Seite 31(D).

- 1 Drücken Sie MENU.
Das Hauptmenü erscheint auf dem Bildschirm.



- 2 Mit den Tasten \uparrow / \downarrow können Sie den Cursor (\blacktriangleright) bewegen und mit der Taste ENT ein Menü auswählen.
Das ausgewählte Menü erscheint auf dem Bildschirm.
- 3 Mit den Tasten \uparrow / \downarrow können Sie den Cursor (\blacktriangleright) bewegen und mit der Taste ENT eine Option auswählen.
Das Menü zu der ausgewählten Option erscheint auf dem Bildschirm.
- 4 Mit \uparrow / \downarrow können Sie eine Einstellung ändern oder auswählen, mit ENT können Sie diese Einstellung bestätigen.
Die entsprechende Einstellung wird gespeichert, und es erscheint wieder das vorhergehende Menü.

Soll wieder die normale Bildschirmanzeige zu sehen sein, drücken Sie die Taste MENU so oft, bis das Menü ausgeblendet wird.

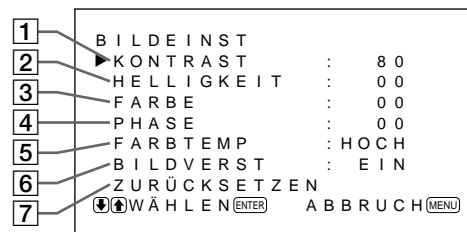
Übersicht über die Menüs

Hinweis

Wenn eine Funktion nicht zur Verfügung steht, erscheint “_ _ _ _” neben der entsprechenden Option. Welche Funktionen zur Verfügung stehen, hängt vom Typ des Eingangssignals ab.

Menü BILDEINST

Auf dem Menü BILDEINST können Sie die Bildqualität einstellen.



- 1 **KONTRAST**
Mit \uparrow verstärken Sie den Kontrast, mit \downarrow schwächen Sie ihn ab.
- 2 **HELLIGKEIT**
Mit \uparrow stellen Sie das Bild heller, mit \downarrow dunkler ein.
- 3 **FARBE**
Mit \uparrow verstärken Sie die Farbsättigung, mit \downarrow schwächen Sie sie ab.
- 4 **PHASE**
Mit \uparrow verstärken Sie den Grünanteil im Bild, mit \downarrow den Rotanteil.
- 5 **FARBTEMP**
Wählen Sie als Farbtemperatur HOCH (6500 K) oder TIEF (etwa 5500 K) aus.
- 6 **BILDVERST**
Wenn Sie EIN wählen, wird der Kontrast automatisch verstärkt, wenn ein schwaches Signal eingeht.
Einzelheiten zur AGC-Bildfunktion finden Sie unter “Verstärken des Bildkontrasts (AGC-Bildfunktion)” auf Seite 25(D).

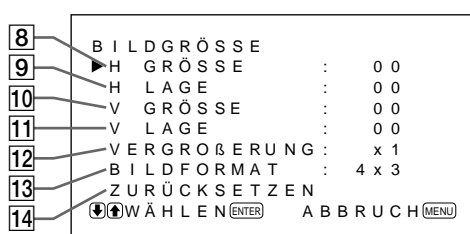
7 ZURÜCKSETZEN

Mit dieser Option können Sie die Optionen **1** bis **6** im Menü BILDEINST auf die werkseitigen Werte zurücksetzen.

Erläuterungen zum Zurücksetzen finden Sie unter "Zurücksetzen der Optionen im Menü BILDEINST auf die ursprünglichen Werte" auf Seite 25(D).

Menü BILDGRÖSSE

Mit diesem Menü können Sie den Zoom einstellen, das Bild positionieren und seine Größe verändern.



8 H GRÖSSE

Zum Einstellen der Bildbreite. Mit **↑** stellen Sie das Bild breiter, mit **↓** schmaler ein.

9 H LAGE

Zum Einstellen der horizontalen Zentrierung. Mit **↑** verschieben Sie das Bild nach rechts, mit **↓** nach links.

10 V GRÖSSE

Zum Einstellen der Bildhöhe. Mit **↑** stellen Sie das Bild höher, mit **↓** niedriger ein.

11 V LAGE

Zum Einstellen der vertikalen Zentrierung. Mit **↑** verschieben Sie das Bild nach oben, mit **↓** nach unten.

12 VERGROßERUNG

Zum Einstellen des Zoom-Werts auf das 2-, 3- oder 4fache.

13 BILDFORMAT

Zum Einstellen des Bildseitenverhältnisses auf 4:3 oder 16:9.

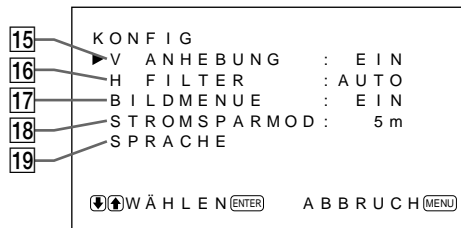
14 ZURÜCKSETZEN

Mit dieser Option können Sie die Optionen **8** bis **13** im Menü BILDGRÖSSE auf die werkseitigen Werte zurücksetzen.

Erläuterungen zum Zurücksetzen finden Sie unter "Zurücksetzen von Bildgröße und -position auf die ursprünglichen Werte" auf Seite 27(D).

Menü KONFIG

Dieses Menü dient zum Einstellen des Signals und zur Auswahl der Menüsprache.



15 V ANHEBUNG

Im Normalfall sollte EIN eingestellt sein. Wählen Sie EIN, um die Vertikalen schärfer einzustellen.

16 H FILTER

Im Normalfall sollte AUTO eingestellt sein. Wählen Sie HOCH, wenn es auf dem Bildschirm zu einer Bildverdoppelung kommt. Wählen Sie TIEF, wenn Moiré-Muster oder Störuschen auftreten. Das Moiré-Muster oder das Störuschen wird verringert, auch wenn das Bild dann nicht ganz scharf ist.

17 BILDMENUE

Wählen Sie EIN, so werden beim Einschalten oder nach einem Wechsel des Eingangssignals etwa fünf Sekunden lang oben am Monitorbildschirm Informationen zum Eingangssignal angezeigt.

18 STROMSPARMOD

Stellen Sie den Zeitraum ein, nach dem der Energiesparmodus aktiviert wird. Näheres zur Energiesparfunktion finden Sie unter "Automatische Ausschaltfunktion bei fehlendem Eingangssignal (Energiesparfunktion)" auf Seite 30(D).

19 SPRACHE

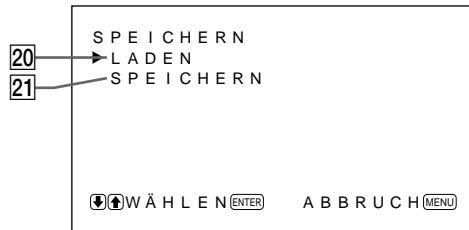
Sie können für die Menüanzeigen eine von fünf Sprachen wählen. Die folgenden Sprachen stehen zur Verfügung: Englisch, Deutsch, Französisch, Italienisch und Spanisch.

Erläuterungen zum Einstellen der Sprache finden Sie unter "Auswählen der Menüsprache" auf Seite 31(D).

Die Bildschirmmenüs

Menü SPEICHERN

Dieses Menü dient zum Speichern und Wiederaufrufen der Einstellungen in den Menüs BILDEINST, BILDGRÖSSE und KONFIG (nur die Optionen V ANHEBUNG und H FILTER).



Erläuterungen dazu finden Sie unter "Der Speicher" auf Seite 28(D).

20 LADEN

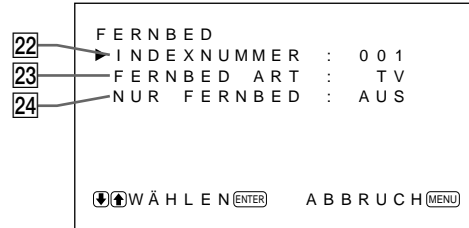
Ruft die voreingestellten Werte auf.

21 SPEICHERN

Speichert die Einstellungen.

Menü FERNBED

Dieses Menü dient zum Einstellen des Fernbedienungsmodus.



22 INDEXNUMMER

Dient zum Einstellen der Indexnummer für den Monitor.

Hinweis

Verwenden Sie zum Einstellen der Nummer die Tasten am Monitor.

Näheres zum Einstellen der Indexnummer finden Sie unter "Steuern eines bestimmten Monitors über die Fernbedienung" auf Seite 32(D).

23 FERNBED ART

Dient zum Auswählen des Fernbedienungsmodus.

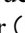
TV: Für Monitore oder Fernsehgeräte von Sony

PROJ: Für Projektoren von Sony

AUS: Deaktiviert die Fernbedienung.

Näheres dazu finden Sie unter "Verwenden einer anderen Fernbedienung" auf Seite 33(D).

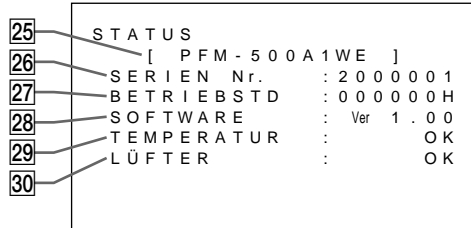
24 NUR FERNBED

Wählen Sie EIN, um die Tasten am Bedienfeld vorn am Monitor zu deaktivieren. Der Monitor läßt sich jetzt nur noch über die Fernbedienung steuern. Wenn NUR FERNBED auf EIN gesetzt ist, leuchten die Anzeigen an der Vorderseite des Monitors nicht. Wenn Sie die Tasten am Bedienfeld vorn wieder aktivieren wollen, setzen Sie NUR FERNBED mit der Fernbedienung auf AUS, oder drücken Sie die Taste CTRL, während Sie den Schalter  gedrückt halten. Der Monitor wechselt in den Bereitschaftsmodus und kann wieder über die Tasten am Bedienfeld vorn gesteuert werden.

Diese Einstellung bleibt erhalten, wenn Sie das Netzkabel lösen, gilt jedoch nicht mehr, wenn Sie den Monitor am Hauptnetzschalter ausschalten.

Menü STATUS

Dieses Menü dient zum Anzeigen von Informationen zum Status des Monitors.



25 Modellname

Hier wird der Modellname angegeben.

26 SERIEN Nr.

Hier wird die Seriennummer angegeben.

27 BETRIEBSTD

Gibt die Gesamtzahl der Betriebsstunden des Monitors an.

Hinweis

Der Bereitschaftsmodus zählt nicht zur Betriebsdauer.

28 SOFTWARE


Gibt die Version der Systemsoftware an.

29 TEMPERATUR

Gibt an, ob die interne Temperatur des Monitors im Normalbereich liegt.


OK: Normal

NEGATIV: Nicht im Normalbereich

Wenn die interne Temperatur nicht im Normalbereich liegt, wird NEGATIV angezeigt, und die Option blinkt rot. Die Anzeige  auf dem Bedienfeld blinkt ebenfalls.

Hinweis

Die Meldung "TEMPERATUR NEGATIV" erscheint möglicherweise, wenn die Lüftungsöffnungen blockiert sind oder der Monitor an einem Ort mit ungenügender Luftzufuhr aufgestellt ist. Sorgen Sie in diesem Fall dafür, daß die Lüftungsöffnungen nicht blockiert werden, und stellen Sie den Monitor an einem Ort mit ausreichender Luftzufuhr auf. Wird die Meldung dann immer noch angezeigt, wenden Sie sich bitte an Ihren autorisierten Sony-Händler.

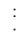
Wenn die Anzeige  blinkt oder NEGATIV angezeigt wird, schlagen Sie unter "Selbstdiagnosefunktion" auf Seite 31(D) nach.

30 LÜFTER

Dieser Monitor enthält Ventilatoren. Hier wird angegeben, ob die Ventilatoren ordnungsgemäß funktionieren.

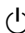
OK: Normal

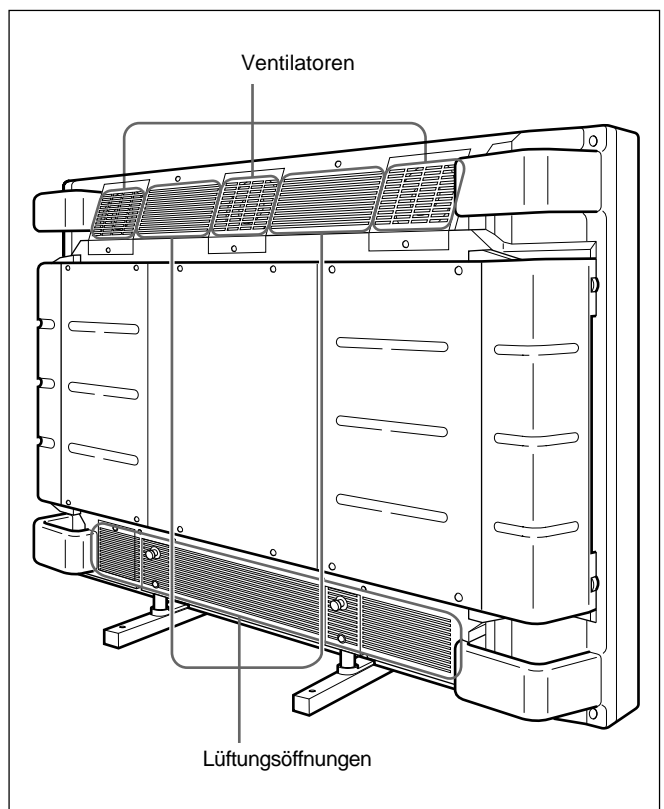
NEGATIV: Nicht normal

Wenn die Ventilatoren nicht ordnungsgemäß funktionieren, wird NEGATIV angezeigt, und die Option blinkt rot. Die Anzeige  auf dem Bedienfeld blinkt ebenfalls.

Hinweis

Wenn die Meldung "LÜFTER NEGATIV" erscheint, wenden Sie sich bitte an Ihren autorisierten Sony-Händler.

Wenn die Anzeige  blinkt oder NEGATIV angezeigt wird, schlagen Sie unter "Selbstdiagnosefunktion" auf Seite 31(D) nach.



Die Anzeigefunktionen

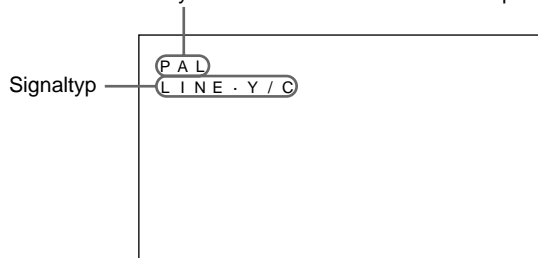
Vorbereitungen

- Schalten Sie den Monitor ein.
- Schalten Sie die angeschlossenen Geräte ein, und starten Sie die Wiedergabe einer Videoquelle.
- Wenn beim Einschalten des Monitors oder bei einem Wechsel des Eingangssignals Informationen zum Eingangssignal angezeigt werden sollen, setzen Sie "BILDMENUE" im Menü KONFIG auf EIN.
- Erläuterungen zum Auswählen der Bildschirmenüsprache finden Sie auf Seite 31(D).

Auswählen des Bildes

- 1 Drücken Sie die Taste CTRL am Bedienfeld des Monitors.
Die Tasten RGB1, YUV, RGB2, LINE und Y/C leuchten auf.
- 2 Wählen Sie mit den folgenden Tasten das gewünschte Eingangssignal aus.
 - RGB1:** Das über die RGB1-Anschlüsse eingespeiste Audio- und Videosignal wird ausgewählt, sofern es sich bei diesem Eingangssignal um ein RGB-Signal handelt.
 - YUV:** Das über die RGB1-Anschlüsse eingespeiste Audio- und Videosignal wird ausgewählt, sofern es sich bei diesem Eingangssignal um ein Farbdifferenzsignal handelt.
 - RGB2:** Das über die RGB2-Anschlüsse eingespeiste Audio- und Videosignal wird ausgewählt.
 - LINE:** Das über den Anschluß VIDEO IN und die Buchse AUDIO IN (LINE-Anschlüsse) eingespeiste Audio- und Videosignal wird ausgewählt.
 - Y/C:** Das über den Anschluß Y/C IN und die Buchse AUDIO IN (LINE-Anschlüsse) eingespeiste Audio- und Videosignal wird ausgewählt.

Farbsystem oder Horizontal-/Vertikalfrequenz



Das ausgewählte Eingangssignal (Bild) erscheint auf dem Bildschirm.

Sie können das Eingangssignal auch mit der Fernbedienung auswählen.

Hinweis

Es empfiehlt sich, als Eingangssignalquelle ein Videogerät mit TBC-Funktion (Time Base Corrector) zu verwenden. Wenn ein Signal ohne TBC eingespeist wird, wird aufgrund einer Störung des Synchronisationssignals unter Umständen kein Bild angezeigt.

Anzeigen eines Standbildes

Mit der Taste STILL auf der Fernbedienung können Sie ein Bild als Standbild anzeigen lassen. Drücken Sie dazu die Taste STILL, wenn ein bewegtes Bild angezeigt wird.

Sie können ein Bild auch als Standbild anzeigen, indem Sie die Taste **↑** am Bedienfeld drücken.

So rufen Sie wieder die normale Bildschirmanzeige auf

- Drücken Sie erneut die Taste STILL auf der Fernbedienung oder die Taste **↑** am Bedienfeld.
- Wählen Sie das Eingangssignal aus.

Hinweise

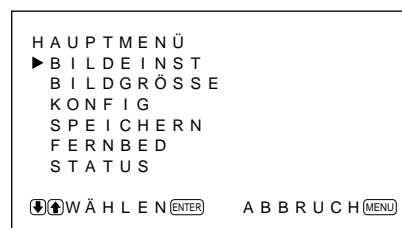
- Im Menümodus führt die Taste **↑** die normalen Menüfunktionen aus.
- Im Standbildmodus blinken die Tasten **↑/↓**.
- Wenn Sie im Menü KONFIG die Option BILDMENUE auf EIN setzen, erscheint die Anzeige "STILL" oben auf dem Bildschirm. Wenn Sie die Anzeige ausblenden wollen, setzen Sie BILDMENUE auf AUS.

Anzeige von Eingangssignal und Monitorstatus

Informationen zum Eingangssignal und zum Monitorstatus erscheinen beim Einschalten des Geräts oder bei einem Wechsel des Eingangssignals etwa 5 Sekunden lang auf dem Bildschirm.

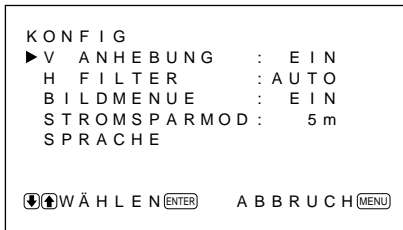
Wollen Sie diese Funktion ausschalten, gehen Sie bitte wie im folgenden beschrieben vor.

- 1 Drücken Sie MENU.
Das Hauptmenü erscheint auf dem Bildschirm.



- 2** Stellen Sie den Cursor (▶) mit den Tasten ↑/↓ auf “KONFIG”, und drücken Sie ENT.

Das Menü KONFIG erscheint auf dem Bildschirm.



- 3** Stellen Sie den Cursor (▶) mit den Tasten ↑/↓ auf “BILDMENUE”, und drücken Sie ENT.

Das folgende Menü erscheint auf dem Bildschirm.



- 4** Setzen Sie “BILDMENUE” mit der Taste ↑ auf AUS, und drücken Sie ENT.

Die BILDMENUE-Funktion ist damit deaktiviert.

Wollen Sie diese Funktion wieder aktivieren, setzen Sie in Schritt 4 oben die Option “BILDMENUE” auf EIN.

Hinweis

Unabhängig von der Einstellung oben können Sie die Informationen zum Eingangssignal jederzeit abrufen, indem Sie die Taste DISPLAY auf der Fernbedienung drücken.

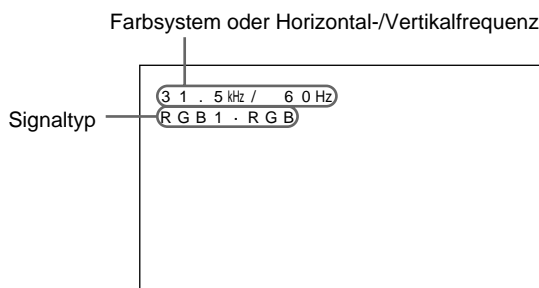
Eingangssignal	Anzeige von Farbsystem oder Horizontal-/Vertikalfrequenz	
NTSC	NTSC	
PAL	PAL	
VGA ^{a)} (Grafik)	31,5 kHz	60 Hz
VGA (Text)	31,5 kHz	70 Hz
HDTV	33,8 kHz	60 Hz
Mac ^{b)} 13 Zoll	35,0 kHz	67 Hz
VESA ^{c)} 800×600	37,9 kHz	60 Hz
VESA 1024×768	48,4 kHz	60 Hz
Mac 16 Zoll	49,7 kHz	75 Hz
ATI ^{d)} 1280×1024	64,0 kHz	60 Hz
Mac 21 Zoll	68,7 kHz	75 Hz
VESA 1280×1024	80,0 kHz	75 Hz

- a) VGA ist ein eingetragenes Warenzeichen der International Business Machines Corporation, USA.
- b) Mac (Macintosh) ist ein eingetragenes Warenzeichen der Apple Computer, Inc.
- c) VESA ist ein eingetragenes Warenzeichen der Video Electronics Standard Association.
- d) ATI ist ein eingetragenes Warenzeichen der ATI Technologies, Inc.

Hinweis

Wenn ein HDTV-Signal eingeht, speisen Sie das dreistufige Synchronisationssignal über den Anschluß G/Y IN ein.

Die Informationsliste zum Eingangssignal



Anzeigen zum Monitorstatus auf dem Bildschirm

Bildschirmanzeige	Bedeutung
31.5kHz / 60Hz (Beispiel)	Bei dem ausgewählten Eingangssignal handelt es sich um ein Computersignal im RGB-Format.
525 / 60 (Beispiel)	Bei dem ausgewählten Eingangssignal handelt es sich um ein RGB- oder Farbdifferenzsignal.
NTSC	Bei dem ausgewählten Eingangssignal handelt es sich um ein NTSC-Signal.
PAL	Bei dem ausgewählten Eingangssignal handelt es sich um ein PAL-Signal.
ANDERE	Das Eingangssignal liegt außerhalb des Fangbereichs.
NO SYNC	Es ist kein Eingangssignal vorhanden.
STUMM	Der Ton ist stummgeschaltet.
RGB1 RGB	Für RGB1 gilt der Signalmodus RGB.
RGB1 YUV	Für RGB1 gilt als Signalmodus das Farbdifferenzsignal.
LINE COMP	Für LINE wurde als Eingangssignal das FBAS-Signal ausgewählt.
LINE Y/C	Für LINE wurde als Eingangssignal das Y/C-Signal ausgewählt.
STILL	Das Bild wird als Standbild angezeigt.

Sie können das Bild anzeigen lassen und dabei Kontrast, Helligkeit, Chroma (Farbintensität) und Phase einstellen. Diese Werte können Sie für die einzelnen Eingangssignale unabhängig voneinander einstellen. Darüber hinaus können Sie die eingestellten Werte im Gerät speichern.

Einstellen von Kontrast, Helligkeit, Farbe und Phase

Drücken Sie MENU, so daß das Hauptmenü auf dem Bildschirm angezeigt wird, und wählen Sie auf dem Menü BILDEINST mit den Tasten **↑/↓** die Option "KONTRAST", "HELLIGKEIT", "FARBE" oder "PHASE".

KONTRAST

Wählen Sie mit den Tasten **↑/↓** die Option "KONTRAST" aus, und drücken Sie ENT. Stellen Sie mit den Tasten **↑/↓** für den Kontrast einen Wert zwischen 0 (Minimum) und 100 (Maximum) ein.
↑: Der Kontrast wird verstärkt.
↓: Der Kontrast wird abgeschwächt.

HELLIGKEIT

Wählen Sie mit den Tasten **↑/↓** die Option "HELLIGKEIT" aus, und drücken Sie ENT. Stellen Sie mit den Tasten **↑/↓** für die Helligkeit einen Wert zwischen -50 (Minimum) und +50 (Maximum) ein.
↑: Der Grünanteil im Bild wird verstärkt.
↓: Der Rotanteil im Bild wird verstärkt.

FARBE

Wählen Sie mit den Tasten **↑/↓** die Option "FARBE" aus, und drücken Sie ENT. Stellen Sie mit den Tasten **↑/↓** für die Farbintensität einen Wert zwischen -50 (Minimum) und +50 (Maximum) ein.
↑: Die Farbintensität wird verstärkt.
↓: Die Farbintensität wird abgeschwächt.

PHASE

Wählen Sie mit den Tasten \uparrow/\downarrow die Option "PHASE" aus, und drücken Sie ENT.

Stellen Sie mit den Tasten \uparrow/\downarrow für die Phase einen Wert zwischen -50 (Minimum) und +50 (Maximum) ein.

\uparrow : Der Grünanteil im Bild wird verstärkt.

\downarrow : Der Rotanteil im Bild wird verstärkt.

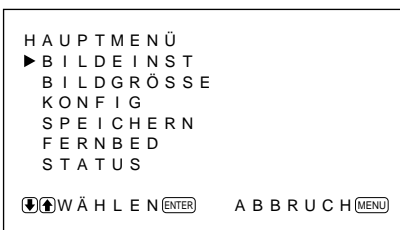
Hinweise

- Für ein RGB-Signal können Sie FARBE und PHASE nicht einstellen.
- Für ein Farbdifferenzsignal können Sie PHASE nicht einstellen.
- Für ein PAL-Signal können Sie PHASE nicht einstellen.
- Ändern Sie den Pegel von FARBE/PHASE (nur NTSC) nicht, wenn es sich bei dem ausgewählten Signal nicht um ein NTSC- oder PAL-Signal handelt. Eine solche Änderung hätte zwar auf das gerade angezeigte Bild keine Auswirkungen, würde aber bei einem später eingespeisten NTSC- oder PAL-Signal zu Bildstörungen führen.

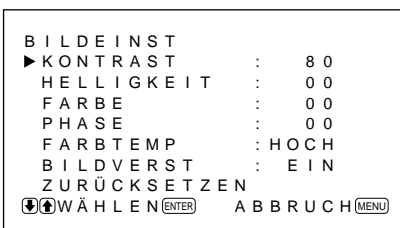
Verstärken des Bildkontrasts (AGC-Bildfunktion)

Wenn das Bild nur mit schwachen Signalen eingespeist wird, können Sie mit dieser Funktion automatisch den Kontrast verbessern. Schalten Sie diese Funktion ein, wenn das Quellbild dunkel ist.

- 1 Drücken Sie MENU.
Das Hauptmenü erscheint auf dem Bildschirm.



- 2 Stellen Sie den Cursor (▶) mit den Tasten \uparrow/\downarrow auf "BILDEINST", und drücken Sie ENT.
Das Menü BILDEINST erscheint auf dem Bildschirm.



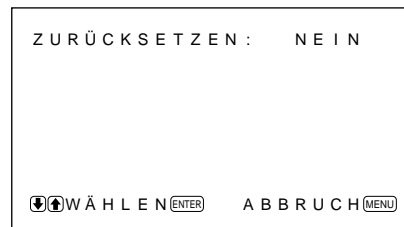
- 3 Stellen Sie den Cursor (▶) mit den Tasten \uparrow/\downarrow auf "BILDVERST", und drücken Sie ENT.
Das folgende Menü erscheint auf dem Bildschirm.



- 4 Setzen Sie mit \uparrow/\downarrow die Option "BILDVERST" auf EIN.
- 5 Drücken Sie ENT.
Nun erscheint wieder das Menü BILDEINST.

Zurücksetzen der Optionen im Menü BILDEINST auf die ursprünglichen Werte

- 1 Stellen Sie im Menü BILDEINST den Cursor (▶) mit den Tasten \uparrow/\downarrow auf "ZURÜCKSETZEN", und drücken Sie ENT.
Das folgende Menü erscheint auf dem Bildschirm.



- 2 Drücken Sie \uparrow/\downarrow .
"NEIN" wird zu "JA".



- 3 Drücken Sie ENT.
Die Optionen im Menü BILDEINST werden auf die ursprünglichen Werte zurückgesetzt.

Um das Zurücksetzen abzubrechen, drücken Sie die Taste MENU, bevor Sie die Taste ENT drücken.

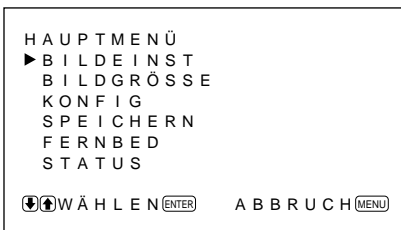
Einstellen von Zoom, Bildgröße und Bildposition

Sie können das Bild verschieben, so daß es auf den Bildschirm paßt, bzw. Bildhöhe und Bildbreite unabhängig voneinander einstellen.

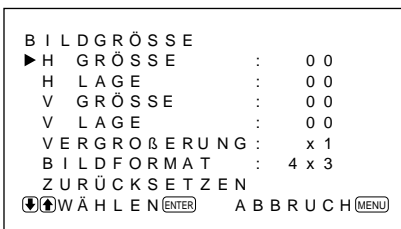
Mit der Zoom-Funktion können Sie einen Bildausschnitt auf das Zwei-, Drei- oder Vierfache der ursprünglichen Größe vergrößern.

Einstellen der Bildgröße

- 1 Drücken Sie MENU.
Das Hauptmenü erscheint auf dem Bildschirm.



- 2 Stellen Sie den Cursor (▶) mit den Tasten ↑/↓ auf "BILDGRÖSSE", und drücken Sie ENT.
Das Menü BILDGRÖSSE erscheint auf dem Bildschirm.



- 3 Stellen Sie den Cursor (▶) mit den Tasten ↑/↓ auf "H GRÖSSE", und drücken Sie ENT.
Das folgende Menü erscheint auf dem Bildschirm.



- 4 Ändern Sie mit ↑/↓ die Größe des Bildes.
↑: Das Bild wird breiter.
↓: Das Bild wird schmaler.
Die Bildbreite wird auf dem Monitorbildschirm als ein Wert zwischen -50 (Minimum) und +50 (Maximum) angezeigt. Die werkseitige Einstellung ist 00.

- 5 Drücken Sie ENT.
Nun erscheint wieder das Menü BILDGRÖSSE.

- 6 Stellen Sie den Cursor (▶) mit den Tasten ↑/↓ auf "V GRÖSSE", und drücken Sie ENT.
Das folgende Menü erscheint auf dem Bildschirm.

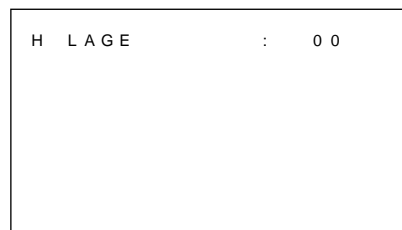


- 7 Ändern Sie mit ↑/↓ die Größe des Bildes.
↑: Das Bild wird höher.
↓: Das Bild wird niedriger.
Die Bildbreite wird auf dem Monitorbildschirm als ein Wert zwischen -50 (Minimum) und +50 (Maximum) angezeigt. Die werkseitige Einstellung ist 00.

- 8 Drücken Sie ENT.
Nun erscheint wieder das Menü BILDGRÖSSE.

Einstellen der Bildposition

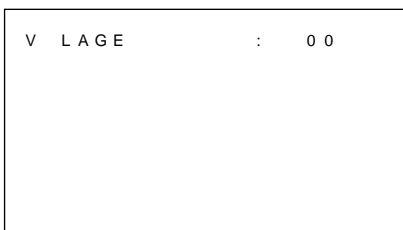
- 1 Stellen Sie im Menü BILDGRÖSSE den Cursor (z) mit den Tasten ↑/↓ auf "H LAGE", und drücken Sie ENT.
Das folgende Menü erscheint auf dem Bildschirm.



- 2 Ändern Sie mit ↑/↓ die Position des Bildes.
↑: Das Bild verschiebt sich nach rechts.
↓: Das Bild verschiebt sich nach links.
Die horizontale Lage des Bildes wird auf dem Monitorbildschirm als ein Wert zwischen -50 (Minimum) und +50 (Maximum) angezeigt. Die werkseitige Einstellung ist 00.

- 3 Drücken Sie ENT.
Nun erscheint wieder das Menü BILDGRÖSSE.

- 4** Stellen Sie den Cursor (▶) mit den Tasten ↑/↓ auf "V LAGE", und drücken Sie ENT.
Das folgende Menü erscheint auf dem Bildschirm.



- 5** Ändern Sie mit ↑/↓ die Position des Bildes.
↑: Das Bild verschiebt sich nach oben.
↓: Das Bild verschiebt sich nach unten.
Die vertikale Lage des Bildes wird auf dem Monitorbildschirm als ein Wert zwischen -50 (Minimum) und +50 (Maximum) angezeigt. Die werkseitige Einstellung ist 00.

- 6** Drücken Sie ENT.
Nun erscheint wieder das Menü BILDGRÖSSE.

Vergrößern des Bildes mit der Zoom-Funktion

Sie können dazu auch die Taste ZOOM auf der Fernbedienung verwenden.

- 1** Stellen Sie im Menü BILDGRÖSSE den Cursor (▶) mit den Tasten ↑/↓ auf "VERGROßERUNG", und drücken Sie ENT.
Das folgende Menü erscheint auf dem Bildschirm.

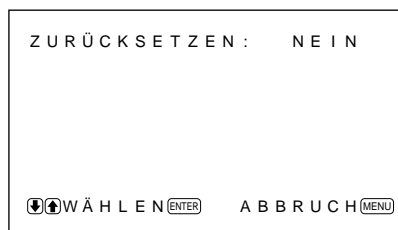


- 2** Stellen Sie mit ↑/↓ die gewünschte Vergrößerung ein.
Bei jedem Tastendruck auf ↑ wird das Bild vergrößert, und zwar um das Zwei-, Drei- und schließlich das Vierfache.
Wollen Sie das Bild mit der Zoom-Funktion wieder verkleinern, drücken Sie ↓.

- 3** Drücken Sie ENT.
Nun erscheint wieder das Menü BILDGRÖSSE.

Zurücksetzen von Bildgröße und -position auf die ursprünglichen Werte

- 1** Stellen Sie im Menü BILDGRÖSSE den Cursor (▶) mit den Tasten ↑/↓ auf "ZURÜCKSETZEN", und drücken Sie ENT.
Das folgende Menü erscheint auf dem Bildschirm.



- 2** Drücken Sie ↑/↓.
"NEIN" wird zu "JA".



- 3** Drücken Sie ENT.
Nun gelten wieder die ursprüngliche Bildgröße und -position.

Um das Zurücksetzen abubrechen, drücken Sie die Taste MENU, bevor Sie die Taste ENT drücken.

Der Speicher

Mit der Funktion **SPEICHERN** können Sie die aktuelle Bildeinstellung für die einzelnen Eingangssignale speichern.

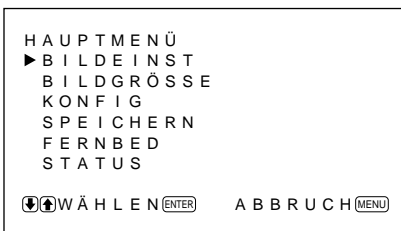
Die gespeicherten Einstellungen können Sie danach jederzeit abrufen.

Die Optionen in den Menüs **BILDEINST**, **BILDGRÖSSE** und **KONFIG** (nur die Optionen **V ANHEBUNG** und **H FILTER**) können gespeichert werden.

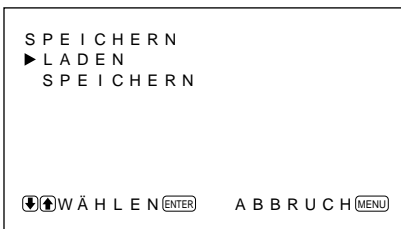
Auf diese Weise können Sie die Bildeinstellungen für bis zu 5 Eingangssignale speichern.

Speichern der aktuellen Einstellungen

- 1 Drücken Sie **MENU**.
Das Hauptmenü erscheint auf dem Bildschirm.



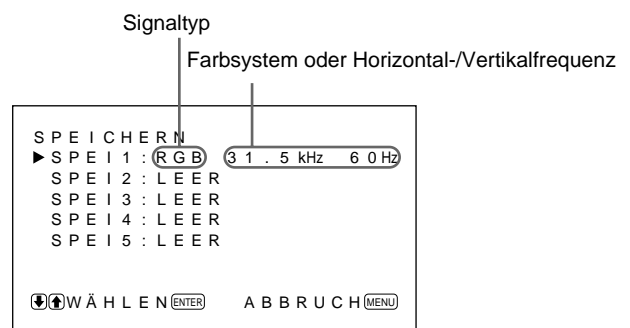
- 2 Stellen Sie den Cursor (▶) mit den Tasten **↑/↓** auf **“SPEICHERN”**, und drücken Sie **ENT**.
Das Menü **SPEICHERN** erscheint auf dem Bildschirm.



- 3 Stellen Sie den Cursor (▶) mit den Tasten **↑/↓** auf **“SPEICHERN”**, und drücken Sie **ENT**.
Das folgende Menü erscheint auf dem Bildschirm.

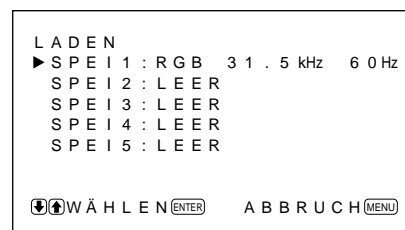


- 4 Stellen Sie den Cursor (▶) mit den Tasten **↑/↓** auf **SPEI 1 bis 5**, und drücken Sie **ENT**.
Daraufhin wird fünf Sekunden lang **“BEENDET”** angezeigt.
Die aktuellen Einstellungen werden unter der ausgewählten Speichernummer im Gerät gespeichert.
Wenn unter der ausgewählten Speichernummer bereits Daten gespeichert sind, werden in der rechten Spalte neben der Speichernummer der Signaltyp und das Farbsystem bzw. die Horizontal-/Vertikalfrequenz angezeigt.



Aufrufen der gespeicherten Einstellungen

- 1 Stellen Sie im Menü **SPEICHERN** den Cursor (▶) mit den Tasten **↑/↓** auf **“LADEN”**, und drücken Sie **ENT**.
Das folgende Menü erscheint auf dem Bildschirm.



- 2 Stellen Sie den Cursor (▶) mit den Tasten **↑/↓** auf **SPEI 1 bis 5**, und drücken Sie **ENT**.
Daraufhin wird fünf Sekunden lang **“BEENDET”** angezeigt.
Das Bild wird nun so eingestellt, wie im ausgewählten Speicher definiert.

Hinweise

- Die Speichereinstellungen können nicht abgerufen werden, wenn das ausgewählte Signal nicht dem voreingestellten Signal entspricht.
- Die folgenden Optionen können Sie speichern:

Menü BILDEINST

- KONTRAST
- HELLIGKEIT
- FARBE
- PHASE
- FARBTEMP
- BILDVERST

Menü BILDGRÖSSE

- H GRÖSSE
- H LAGE
- V GRÖSSE
- V LAGE
- VERGROßERUNG
- BILDFORMAT

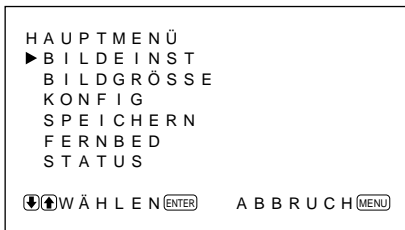
Menü KONFIG

- V ANHEBUNG
- H FILTER

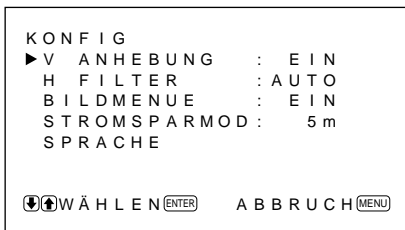
Automatische Ausschaltfunktion bei fehlendem Eingangssignal (Energiesparfunktion)

Nach einem bestimmten Zeitraum schaltet sich dieses Gerät automatisch aus, wenn von den Anschlüssen RGB1 oder RGB2 kein Signal eingeht (Energiesparfunktion).

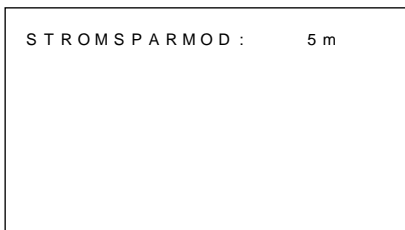
- 1 Drücken Sie MENU.
Das Hauptmenü erscheint auf dem Bildschirm.



- 2 Stellen Sie den Cursor (▶) mit den Tasten ↑/↓ auf "KONFIG", und drücken Sie ENT.
Das Menü KONFIG erscheint auf dem Bildschirm.



- 3 Stellen Sie den Cursor (▶) mit den Tasten ↑/↓ auf "STROMSPARMOD", und drücken Sie ENT.
Das folgende Menü erscheint auf dem Bildschirm.



- 4 Wählen Sie mit ↑/↓ den Zeitraum, nach dem das Gerät in den Energiesparmodus wechseln soll.
AUS: Die Energiesparfunktion wird nicht aktiviert.
5 m: Schaltet nach fünf Minuten in den Energiesparmodus, wenn kein Signal eingeht.
10 m: Schaltet nach 10 Minuten in den Energiesparmodus, wenn kein Signal eingeht.

Die Netzanzeige blinkt, wenn sich das Gerät im Energiesparmodus befindet.

So beenden Sie den Energiesparmodus

- Speisen Sie wieder ein Synchronisationssignal ein.
- Drücken Sie den Schalter ⏻ am Bedienfeld oder den Schalter POWER auf der Fernbedienung.

Signalspezifikation für die Energiesparfunktion

RGB1: Wenn das Synchronisationssignal am Anschluß HD/COMP IN eingeht.

RGB2: Wenn das Synchronisationssignal am 13. Stift des Anschlusses RGB IN (D-Sub, 15polig) eingeht.

Hinweise

- Die Energiesparfunktion arbeitet nicht, wenn ein Signal über die LINE-Anschlüsse eingeht.
- Wenn das Synchronisationssignal nicht am Anschluß HD/COMP IN eingeht, schaltet sich der Monitor nicht ein, auch wenn ein Synchronisationssignal eingespeist wird. Achten Sie darauf, STROMSPARMOD auf AUS zu setzen, wenn nur RGB- oder Farbdifferenzsignale eingeht.
- Wenn das Synchronisationssignal nicht am 13. Stift des Anschlusses RGB IN (D-Sub, 15polig) eingeht, schaltet sich der Monitor nicht ein, auch wenn ein Synchronisationssignal eingespeist wird. Achten Sie darauf, STROMSPARMOD auf AUS zu setzen, wenn nur RGB-Signale eingeht.

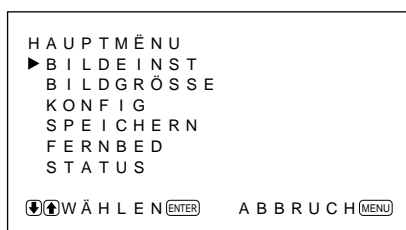
Auswählen der Menüsprache

Sie können für die Menüanzeigen eine von fünf Sprachen wählen.

Die folgenden Sprachen stehen zur Verfügung: Englisch, Deutsch, Französisch, Italienisch und Spanisch.

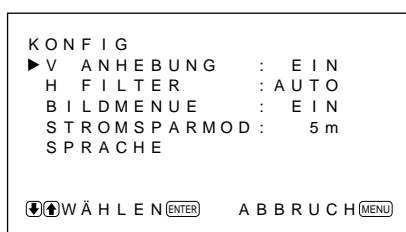
1 Drücken Sie MENU.

Das Hauptmenü erscheint auf dem Bildschirm.



2 Stellen Sie den Cursor (▶) mit den Tasten ↑/↓ auf "KONFIG", und drücken Sie ENT.

Das Menü KONFIG erscheint auf dem Bildschirm.



3 Stellen Sie den Cursor (▶) mit den Tasten ↑/↓ auf "SPRACHE", und drücken Sie ENT.

Das folgende Menü erscheint auf dem Bildschirm.



4 Stellen Sie den Cursor (▶) mit den Tasten ↑/↓ auf die gewünschte Sprache, und drücken Sie ENT.

Nun erscheinen die Bildschirmmenüs in der ausgewählten Sprache.

ENGLISH: Englisch

DEUTSCH: Deutsch

FRANÇAIS: Französisch


ITALIANO: Italienisch

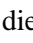
ESPAÑOL: Spanisch

5 Drücken Sie MENU.

Nun erscheint wieder das Menü KONFIG.

Selbstdiagnosefunktion

Das Gerät verfügt über eine Selbstdiagnosefunktion. Damit wird der Zustand des Monitors anhand der blinkenden Anzeige  und der Zahlen in der Anzeige SERVICE CODE angezeigt. Die Zahlen geben Auskunft über den aktuellen Zustand des Monitors. Wenn das Gerät ordnungsgemäß arbeitet, blinkt nur der Punkt rechts unten in der Anzeige SERVICE CODE.

Wenn die Anzeige  blinkt, überprüfen Sie die Nummer und wenden sich an Ihren autorisierten Sony-Händler.

1 Überprüfen Sie die zweistellige Nummer in der Anzeige SERVICE CODE.

In der Anzeige erscheint eine Nummer, oder mehrere Nummern werden alle halbe Sekunde abwechselnd angezeigt.

2 Ziehen Sie den Netzstecker des Geräts aus der Netzsteckdose.

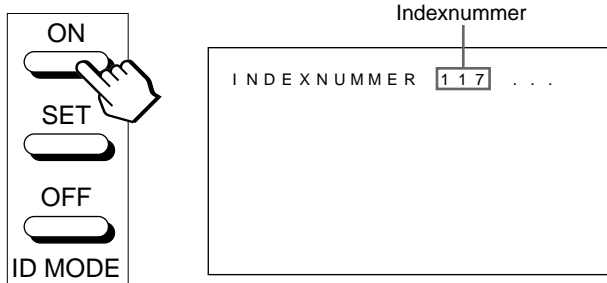
Teilen Sie die Nummer Ihrem autorisierten Sony-Händler mit.

Steuern eines bestimmten Monitors über die Fernbedienung

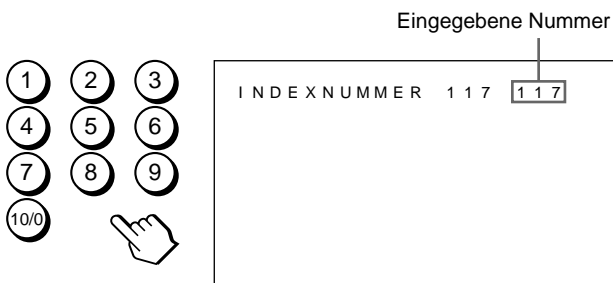
Mit der mitgelieferten Fernbedienung können Sie einen bestimmten Monitor steuern, ohne die anderen angeschlossenen Monitore zu beeinflussen.

- 1 Drücken Sie die Taste ID MODE ON auf der Fernbedienung.
Die Indexnummern der Monitore werden auf allen Monitoren weiß angezeigt. (Jedem Monitor ist werkseitig eine eigene Indexnummer zwischen 1 und 255 zugeordnet.)

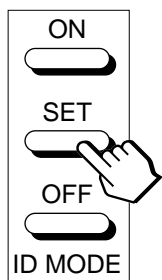
Unter "So ändern Sie die Indexnummer" in der Spalte rechts auf dieser Seite erfahren Sie, wie Sie die Indexnummer ändern können.



- 2 Geben Sie mit den Tasten 0 – 9 auf der Fernbedienung die Indexnummer des Monitors ein, den Sie steuern wollen.
Die eingegebene Nummer erscheint rechts neben der Indexnummer der Monitore.

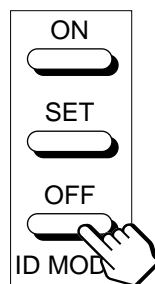


- 3 Drücken Sie ID MODE SET.
Die Zeichen auf dem ausgewählten Monitor werden nun blau angezeigt, die auf den anderen Monitoren rot.



Sie können nun einen bestimmten Monitor steuern. (Im ID-Modus stehen alle Funktionen außer POWER ON/OFF zur Verfügung.)

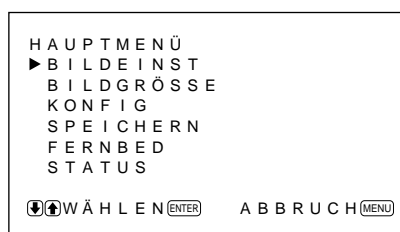
- 4 Drücken Sie nach dem Einstellen die Taste ID MODE OFF.
Der Monitor schaltet wieder in den normalen Modus.



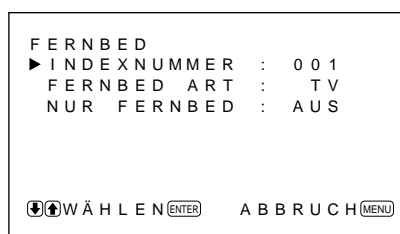
So ändern Sie die Indexnummer

Sie können die Indexnummer gegebenenfalls ändern. Verwenden Sie zum Ändern der Nummer die Tasten am Monitor.

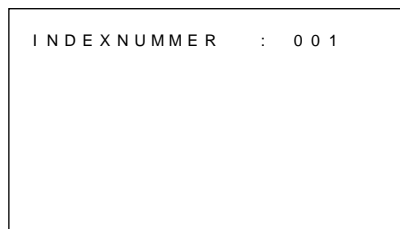
- 1 Drücken Sie MENU.
Das Hauptmenü erscheint auf dem Bildschirm.



- 2 Stellen Sie den Cursor (▶) mit den Tasten ↑/↓ auf "FERNBED", und drücken Sie ENT.
Das Menü FERNBED erscheint auf dem Bildschirm.



- 3 Stellen Sie den Cursor (▶) mit den Tasten ↑/↓ auf "INDEXNUMMER", und drücken Sie ENT.
Das folgende Menü erscheint auf dem Bildschirm.



- 4 Stellen Sie die Indexnummer mit ↑/↓ ein, und drücken Sie ENT.
Nun erscheint wieder das Menü FERNBED.

Verwenden einer anderen Fernbedienung

Folgende Operationen lassen sich steuern.

- Ein- und Ausschalten
- Eingangswahl
- Menüfunktionen
- Bildeinstellungen: Kontrast, Phase und Farbe
- Ein- und Ausblenden der Bildschirmanzeigen (nur bei Videomonitoren und Fernsehgeräten)

Je nach Modell Ihrer Fernbedienung stehen nur bestimmte Tasten zur Verfügung, und Sie können nur bestimmte Operationen ausführen. Eine Übersicht finden Sie in der Tabelle unten.

Modell der Fernbedienung		RM-854	RM-1271	RM-PJ1292	RM-PJ1000
Einstellung der Option FERNBED ART		TV	PJ	PJ	PJ
Eingangswahl	RGB1	RGB	A	A	A
	RGB 2	—	B	B	B
	LINE	LINE1	VIDEO	VIDEO	VIDEO
Menütasten	MENU	MENU	PAGE oder ←	PAGE oder ←	MENU oder ←
	ENTER	ENTER	→	→	ENTER oder →
	+	+	↑	↑	↑
	-	-	↓	↓	↓
Bildeinstellung	Kontrast	CONTRAST+/-	CONTR+/-	CONTR+/-	CONTR+/-
	Farbe	CHROMA+/-	COLOR+/-	COLOR+/-	COLOR+/-
	Phase	PHASE+/-	HUE+/-	HUE+/-	HUE+/-
Bildschirminformationen		DISPLAY	—	STATUS ON	STATUS ON

Technische Daten

Bildverarbeitung

Fangbereich	Horizontaler Wert: 15,6 bis 80 kHz Vertikaler Wert: 48 bis 120 Hz
Voreingestelltes Signal	Eingang: 12 Formate (siehe Seite 23(D))
Videospeicher	1.152 × 1.152 × 24 Bit (RGB gesamt)
Abtastrate	12,5 bis 40 MHz max. Phasenverschiebung (entspricht 80-MHz-Abtastung)
Bildschirmsystem	Plasmabildschirmn (Wechselstrom)
Anzeigeauflösung	852 Punkte × 480 Zeilen
Pixeldichte	1,08 (horizontal) × 1,08 (vertikal) mm
Bildgröße	920 (horizontal) × 518 (vertikal) mm
Bildschirmgröße	42 Zoll, Diagonale 1.056 mm

Eingänge und Ausgänge

RGB1

R (R-Y)/ G (Y)/B (B-Y) IN	BNC-Anschlüsse (×3) 0,714 Vp-p/nicht zusammengesetzt, 75 Ohm (automatischer Abschluß) 1 Vp-p/zusammengesetzt, 75 Ohm (automatischer Abschluß)
---------------------------	--

SYNC IN(HD/COMP, VD)	BNC-Anschlüsse (×2) Horizontales (oder zusammengesetztes) Synchronisationssignal, vertikales Synchronisationssignal, 1 bis 5 Vp-p, hohe Impedanz
AUDIO IN (L, R)	Cinchbuchsen (×2) 500 mV effektiver Mittelwert, hohe Impedanz

R (R-Y)/ G (Y)/B (B-Y) OUT	BNC-Durchschleifanschluß (×3)
----------------------------	-------------------------------

SYNC OUT (HD/COMP, VD)	BNC-Durchschleifanschlüsse (×2) Horizontales (oder zusammengesetztes) Synchronisationssignal, vertikales Synchronisationssignal
AUDIO OUT (L, R)	Cinch-Durchschleifanschlüsse (×2)

RGB2

RGB IN	D-Sub, 15polig Siehe "Stiftbelegung" auf Seite 35(D).
AUDIO IN (L, R)	Cinchbuchsen (×2) 500 mV effektiver Mittelwert, hohe Impedanz

LINE (NTSC, PAL)

VIDEO IN	BNC-Anschluß (×1) FBAS-Videosignal, 1 Vp-p ±2 dB, sync-negativ, 75 Ohm (automatischer Abschluß)
Y/C IN	Mini-DIN, 4polig (×1) Y-Signal (Luminanz): 1 Vp-p ±2 dB, sync-negativ, 75 Ohm (automatischer Abschluß) C-Signal (Chrominanz): Burst 0,286 Vp-p ±2 dB (NTSC), 75 Ohm (automatischer Abschluß) Burst 0,3 Vp-p ±2 dB (PAL), 75 Ohm (automatischer Abschluß)
AUDIO IN (L, R)	Cinchbuchsen (×2) 500 mV effektiver Mittelwert, hohe Impedanz
VIDEO OUT	BNC-Durchschleifanschluß (×1)
Y/C OUT	Mini-DIN, 4polig (×1), Durchschleifanschluß
AUDIO OUT (L, R) (variable Ausgänge)	Cinch-Durchschleifanschlüsse (×2)
MONITOR OUT AUDIO (L, R)	Cinchbuchsen (×2) max. 500 mV effektiver Mittelwert, hohe Impedanz
CONTROL S (IN, OUT)	Stereominibuchsen (×2) 5 Vp-p
SPEAKERS	6 bis 16 Ohm, 7 W + 7 W (bei Impedanz von 8 Ohm)

Allgemeines

Betriebsspannung 100 bis 120 V Wechselstrom,
50/60 Hz, 3,9 A/380 W
220 bis 240 V Wechselstrom,
50/60 Hz, 2,0 A/360 W

Betriebsbedingungen

Temperatur: 0 °C bis 35 °C
Luftfeuchtigkeit: 20 bis 90 % (nicht
kondensierend)
Atmosphärischer Druck: 700 bis
1060 hPa

Lager-/Transportbedingungen

Temperatur: -10 °C bis +40 °C
Luftfeuchtigkeit: 20 bis 90 % (nicht
kondensierend)
Atmosphärischer Druck: 700 bis
1060 hPa

Abmessungen 1036 × 636 × 152 mm
(B/H/T)

Gewicht 47 kg

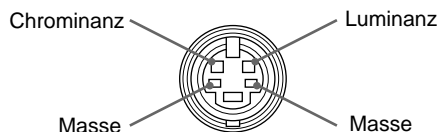
Mitgeliefertes Zubehör

Netzkabel (1)
Netzsteckerhalter (1)
Fernbedienung RM-921 (1)
R6-Batterien der Größe AA (2)
Ferritkerne (2)
Halterung für Fußstützen (2)
Schrauben für Halterungen für
Fußstützen (6)
Stabilisatoren für Monitor (2)
Bedienungsanleitung (1)

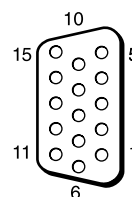
Änderungen, die dem technischen Fortschritt dienen,
bleiben vorbehalten.

Stiftbelegung

Y/C-Buchse (Mini-DIN, 4polig)



Anschluß RGB IN (15poliger, D-Sub-Anschluß)



Stift Nr.	Signal
1	Videosignal Rot oder R-Y
2	Videosignal Grün oder Y
3	Videosignal Blau oder B-Y
4	Masse
5	Masse
6	Masse Rot
7	Masse Grün
8	Masse Blau
9	Nicht belegt
10	Masse
11	Masse
12	SDA
13	Horizontales oder zusammengesetztes Synchronisationssignal
14	Vertikales Synchronisationssignal
15	SCL

ADVERTENCIA

Para evitar el peligro de incendio o descargas eléctricas, no exponga la unidad a la lluvia ni a la humedad.

Presencia de alta tensión peligrosa en el interior de la unidad. No abra el aparato. Solicite asistencia técnica sólo a personal especializado.

Para los clientes de Europa

Éste es un producto de clase A. En un ambiente doméstico, este producto puede causar interferencias radioeléctricas, en cuyo caso el usuario puede tener que tomar las medidas adecuadas.

Para los usuarios del modelo PFM-500A1E

ESTE APARATO DEBE CONECTARSE A TIERRA

IMPORTANTE

Los conductores de este cable de alimentación están coloreados de acuerdo con el código siguiente:

Verde-y-amarillo : Masa
Azul : Neutro
Marron : Activo

Puesto que los colores de los conductores del cable de alimentación de este aparato no pueden corresponder al código de color que identifica los terminales de su enchufe, proceda de la forma siguiente:

El conductor de colores verde-y-amarillo deberá conectarse al terminal del enchufe marcado con la letra E o símbolo de puesta a masa \perp , para seguridad o de colores verde o verde-y-amarillo.

El conductor de color azul deberá conectarse al terminal marcado con la letra N o de color negro.

El conductor de color marron deberá conectarse al terminal marcado con la letra L o de color rojo.

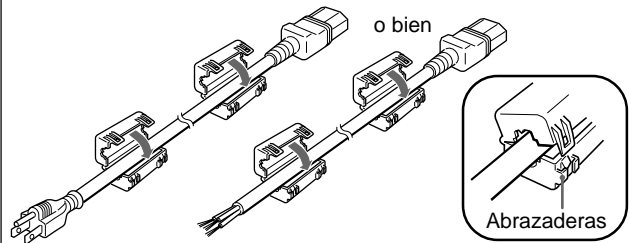
La toma mural debe estar instalada cerca del equipo y debe accederse a ésta con facilidad.

Nota

Al conectar un ordenador a este monitor, instale los núcleos de ferrita suministrados. En caso contrario, el monitor no cumplirá las normas FCC/IC/CE (EN55022) obligatorias.

Instalación de los núcleos de ferrita

Fije los núcleos de ferrita en ambos extremos del cable de alimentación de CA. Cierre firmemente la tapa hasta que las abrazaderas chasqueen.



Precauciones	4 (ES)
Características	5 (ES)
Ubicación y función de componentes y controles	6 (ES)
Parte frontal / Laterales	6 (ES)
Panel de control	8 (ES)
Panel de conectores derecho	9 (ES)
Panel de conectores izquierdo	11 (ES)
Mando a distancia RM-921	12 (ES)
Instalación	14 (ES)
Uso de los pies replegables	14 (ES)
Precaución	15 (ES)
Conexiones	16 (ES)
Conexión del cable de alimentación de CA	16 (ES)
Ejemplo de conexión	17 (ES)
Uso de los menús en pantalla	18 (ES)
Empleo mediante menús	18 (ES)
Menú guía	18 (ES)
Visualización de la imagen	22 (ES)
Conmutación de la imagen	22 (ES)
Visualización de la imagen fija	22 (ES)
Visualización de información sobre la señal de entrada y el estado del monitor	22 (ES)
Ajuste de la imagen	24 (ES)
Ajuste del contraste, brillo, crominancia y fase	24 (ES)
Énfasis del contraste de la imagen (función de ganancia automática de la imagen)	24 (ES)
Restauración de los valores originales del menú CONTROL IMAG	25 (ES)
Posición, zoom y cambio de tamaño de la imagen	26 (ES)
Cambio del tamaño de la imagen	26 (ES)
Ajuste de la posición de la imagen	26 (ES)
Ampliación de la imagen	27 (ES)
Restauración del tamaño y posición originales de la imagen	27 (ES)
Uso de la memoria	28 (ES)
Almacenamiento de la condición actual	28 (ES)
Restablecimiento de la condición almacenada	28 (ES)
Desconexión automática de la alimentación cuando no hay ninguna señal de entrada (función de ahorro de energía)	30 (ES)
Selección del idioma en pantalla	31 (ES)
Función de autodiagnóstico	31 (ES)
Empleo de un monitor específico con el mando a distancia	32 (ES)
Uso del otro mando a distancia	33 (ES)
Especificaciones	34 (ES)

Precauciones

Seguridad

- Emplee la unidad con 100 a 120 V CA o 220 a 240 V CA.
- La placa de características que indica la tensión de funcionamiento, consumo de energía, etc., está situada en la parte posterior de la unidad.
- Si se introduce algún objeto sólido o líquido en la unidad, desenchúfela y haga que sea examinado por personal cualificado antes de volver a utilizarla.
- Desenchufe la unidad de la toma mural si no va a utilizarla durante varios días o más.
- Para desconectar el cable de alimentación de CA, tire del enchufe. No tire nunca del propio cable.
- Para instalar la unidad en el suelo, asegúrese de utilizar los pies replegables.

Instalación

- Con el fin de evitar el recalentamiento interno de la unidad, permita que reciba una ventilación adecuada. No la coloque sobre superficies (alfombras, mantas, etc.) ni cerca de materiales (cortinas, tapices) que puedan bloquear los orificios de ventilación.
- No instale la unidad en un lugar cerca de fuentes de calor como radiadores o salidas de aire caliente, ni en lugares expuestos a la luz solar directa, polvo excesivo o vibraciones o golpes mecánicos.
- Al instalar múltiples equipos con la unidad, pueden producirse problemas como un funcionamiento defectuoso del mando a distancia, ruido de imagen o sonido, etc., según la posición de la unidad y de los demás equipos.

PDP (panel de visualización de plasma)

- Es posible que aparezcan pequeños puntos negros y/o brillantes en el PDP. Esto es normal.
- No muestre la misma imagen fija en la pantalla durante mucho tiempo consecutivo. La imagen residual puede aparecer en parte de un panel, puesto que el brillo de esa parte de la imagen se torna alto debido a la visualización consecutiva de la imagen. Utilice el protector de pantalla para igualar la visualización en pantalla.

Limpieza

Para mantener la unidad como nueva, límpiela periódicamente con una solución detergente poco concentrada. Nunca utilice disolventes fuertes como diluyentes o bencina ni limpiadores abrasivos, ya que pueden dañar el acabado. Como precaución de seguridad, desenchufe la unidad antes de limpiarla.

Embalaje

Conserve la caja y los materiales de embalaje, ya que son ideales para transportar la unidad. Al trasladar la unidad, embálela tal como se indica en la caja.

Si desea realizar alguna consulta referente a la unidad, póngase en contacto con un proveedor Sony autorizado.

Características

El PFM-500A1WE es un monitor de panel plano de 16:9 y 42 pulgadas que adopta el PDP (panel de visualización de plasma) y acepta varios tipos de señales con el convertidor de exploración incorporado.

Convertidor de exploración

La unidad es capaz de convertir varias señales, como RVB, componente, compuestas o Y/C al formato de 480 líneas.

La unidad puede convertir una señal de entrada de baja velocidad en otra de alta velocidad y realizar ajustes flexibles de las imágenes, como las características de zoom y de imagen fija.

Control de ID

Es posible emplear un monitor específico entre varios monitores utilizando las funciones de número de índice.

Menús en pantalla

Es posible ajustar los valores mediante los menús en pantalla.

Control S

La señal de control S permite el control remoto de varios monitores y una videgrabadora a través de un solo monitor.

Otras características

- Filtro de peine tridimensional para la separación NTSC Y/C.
- Filtro de peine por correlación de líneas para la separación PAL Y/C.
- Zoom de hasta $\times 4$.
- Permite emplear mandos a distancia infrarrojos o con cable utilizando el código SIRCS.
- Tres grupos de entradas de vídeo con entradas de audio: una de vídeo compuesta o entradas Y/C, una entrada RVB y una entrada RVB/componente.
- Muestra la señal HDTV con señal de sincronización de tres niveles.
- Función de memoria para el almacenamiento de hasta cinco ajustes de imagen.
- Detección automática de señales de entrada con indicación.
- Compatibilidad con Windows95¹⁾ PnP (Plug and Play).
- Indicación en pantalla en cinco idiomas para facilitar el acceso al usuario.
- Función de ahorro de energía.
- Función de autodiagnóstico.
- Función de ganancia automática de imagen: esta función ajusta y mejora automáticamente el contraste cuando se introduce una señal de baja intensidad.

Advertencia sobre la conexión de alimentación

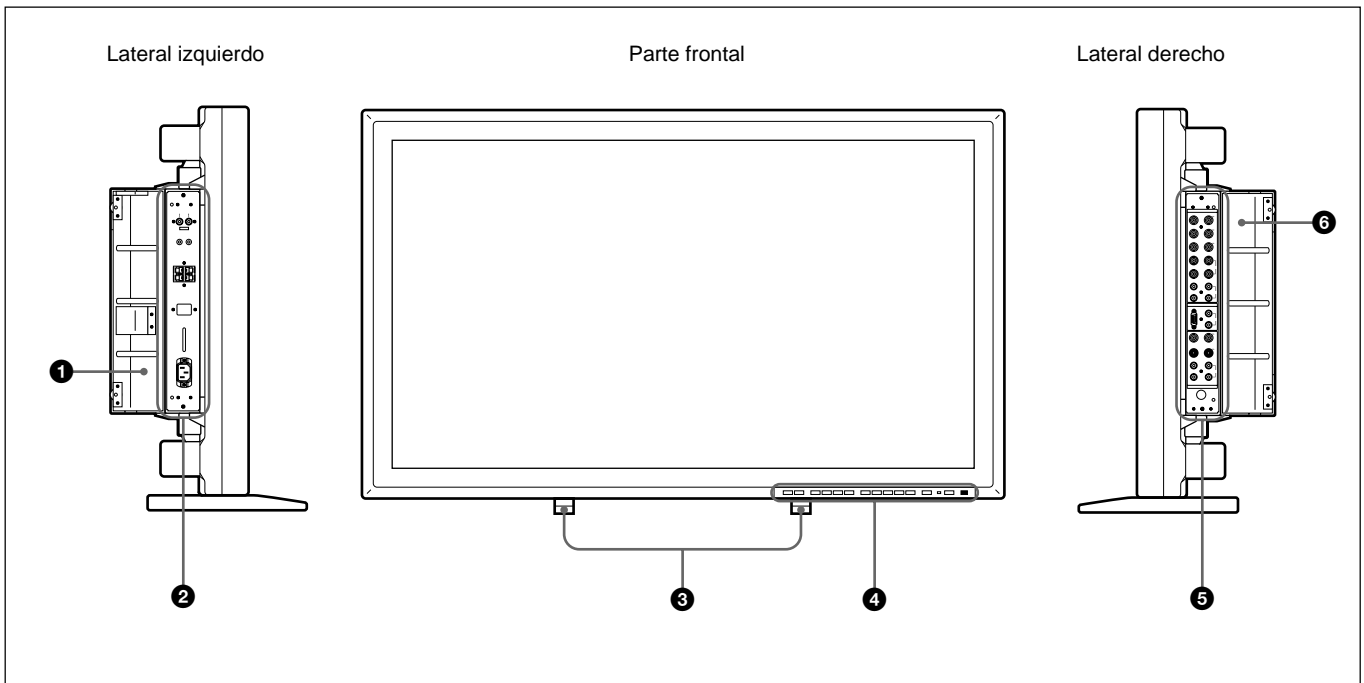
Utilice un cable de alimentación apropiado para el suministro de alimentación local.

	Estados Unidos, Canadá	Europa continental	Reino Unido, Irlanda, Australia, Nueva Zelanda	Japón
Tipo de enchufe	VM0033B	COX-07 636	—	VM1296
Extremo hembra	VM0113	COX-02 VM0310B	VM0310B	VM1313
Tipo de cable	SJT	H05VV-F	CEE (13) 53° (O.C)	HVCTF
Clasificación mínima del juego de cables	13A/125V	10A/250V	10A/250V	10A/125V
Homologación de seguridad	UL/CSA	VDE	VDE	DENTORI

1) Windows95 es una marca comercial registrada de Microsoft Corporation.

Ubicación y función de componentes y controles

Parte frontal / Laterales



❶ Cubierta del panel izquierdo

Ábrala para utilizar el panel de conectores izquierdo. Es posible instalar el mando a distancia en la parte posterior de esta cubierta.

Para obtener información detallada sobre cómo abrir la cubierta del panel, consulte la parte derecha de esta página.

❷ Panel de conectores izquierdo

Para obtener más información sobre el panel de conectores izquierdo, consulte “Panel de conectores izquierdo” en la página 11(ES).

❸ Pies replegables

Utilícelos para colocar el monitor en el suelo.

Para obtener más información sobre el uso de los pies replegables, consulte “Uso de los pies replegables” en la página 14(ES).

❹ Panel de control

Para obtener más información sobre el panel de control, consulte “Panel de control” en la página 8(ES).

❺ Panel de conectores derecho

Para obtener información detallada sobre el panel de conectores derecho, consulte “Panel de conectores derecho” en la página 9(ES).

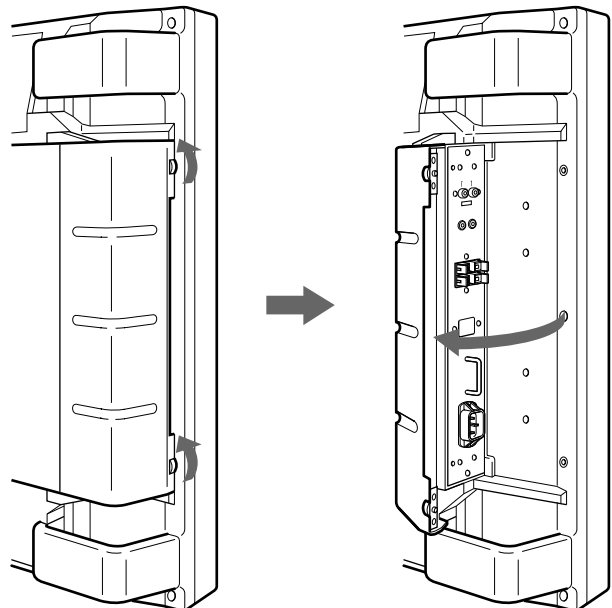
❻ Cubierta del panel derecho

Ábrala para utilizar el panel de conectores derecho.

Para obtener más información sobre cómo abrir la cubierta de este panel, consulte la parte derecha de esta página.

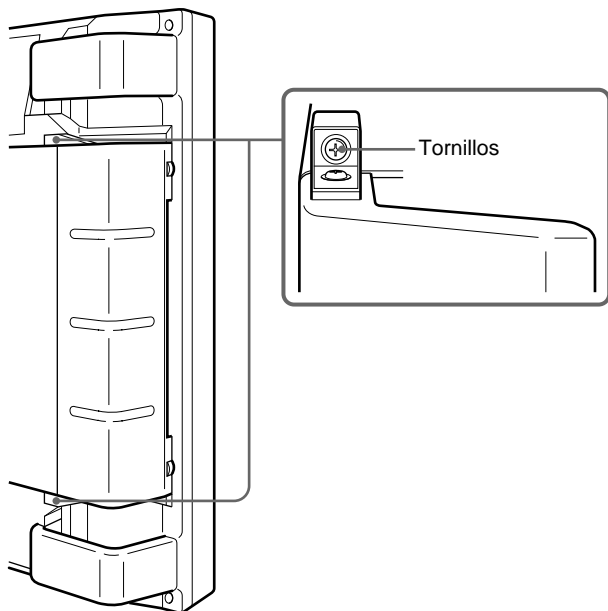
Para abrir la cubierta del panel

Afloje los tornillos en el sentido contrario a las agujas del reloj y abra la cubierta.



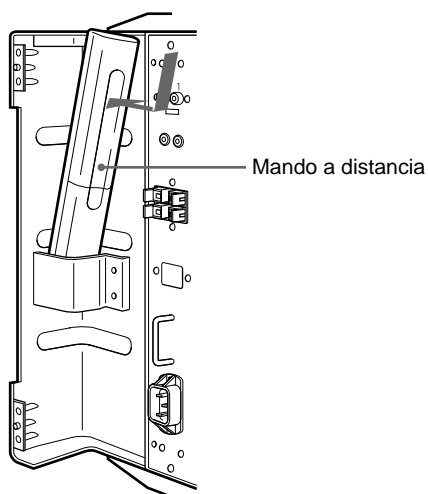
Para retirar la cubierta del panel

Afloje los tornillos tal como se muestra en la siguiente ilustración y retire la cubierta del panel.



Para instalar el mando a distancia en la cubierta del panel

Instale el mando a distancia en la parte posterior de la cubierta del panel izquierdo, tal como se ilustra a continuación.

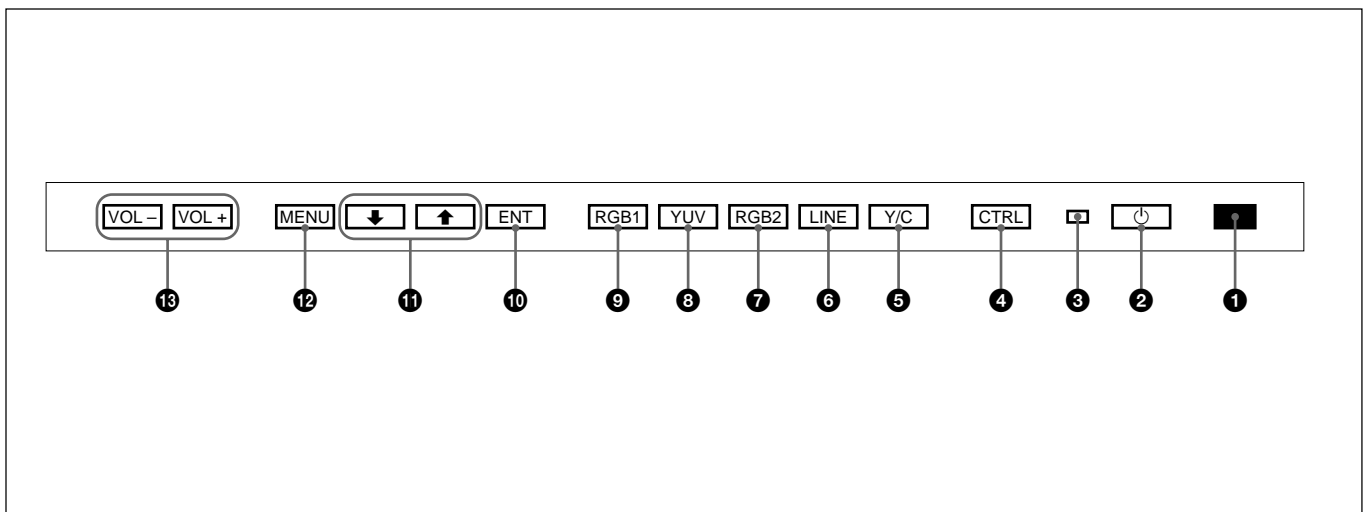


Nota

Al introducir el mando a distancia, asegúrese de orientar la parte superior hacia arriba y la parte posterior hacia fuera.

Ubicación y función de componentes y controles

Panel de control

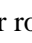



1 Detector de control remoto

Recibe el haz del mando a distancia.

2 Interruptor (de espera) / indicador (de espera)

Pulse este interruptor para encender el monitor. Púlselo de nuevo para volver al modo de espera.

El indicador  (de espera) se ilumina en color rojo en el modo de espera.

Si parpadea el indicador , consulte “Función de autodiagnóstico” en la página 31(ES).

3 Indicador de encendido

Se ilumina cuando el monitor está encendido.


Parpadea en el modo de ahorro de energía.

Para obtener más información sobre el modo de ahorro de energía, consulte “Desconexión automática de la alimentación cuando no hay ninguna señal de entrada (función de ahorro de energía)” en la página 30(ES).

4 Botón CTRL (control)

Para utilizar los botones del panel de control, pulse primero este botón. A continuación, los botones se iluminan o parpadean para indicar que pueden emplearse. Púlselo de nuevo para desactivarlos.

Nota

Los botones (excepto el interruptor  (de espera) 2) del panel de control no funcionan si no se pulsa primero el botón CTRL.

5 Botón Y/C

Seleccione la señal introducida mediante la toma Y/C IN de los conectores LINE.

6 Botón LINE

Seleccione la señal introducida desde el conector VIDEO IN de los conectores LINE.

7 Botón RGB2

Seleccione la señal introducida mediante los conectores RGB2.

8 Botón YUV

Seleccione la señal de componente introducida mediante los conectores RGB1.


9 Botón RGB1

Seleccione la señal RVB introducida mediante los conectores RGB1.

10 Botón ENT (introducir)

Pulse este botón para seleccionar la opción de menú que desee.

11 Botones /

Pulse estos botones para desplazar el cursor () hasta una opción o para ajustar un valor en un menú.

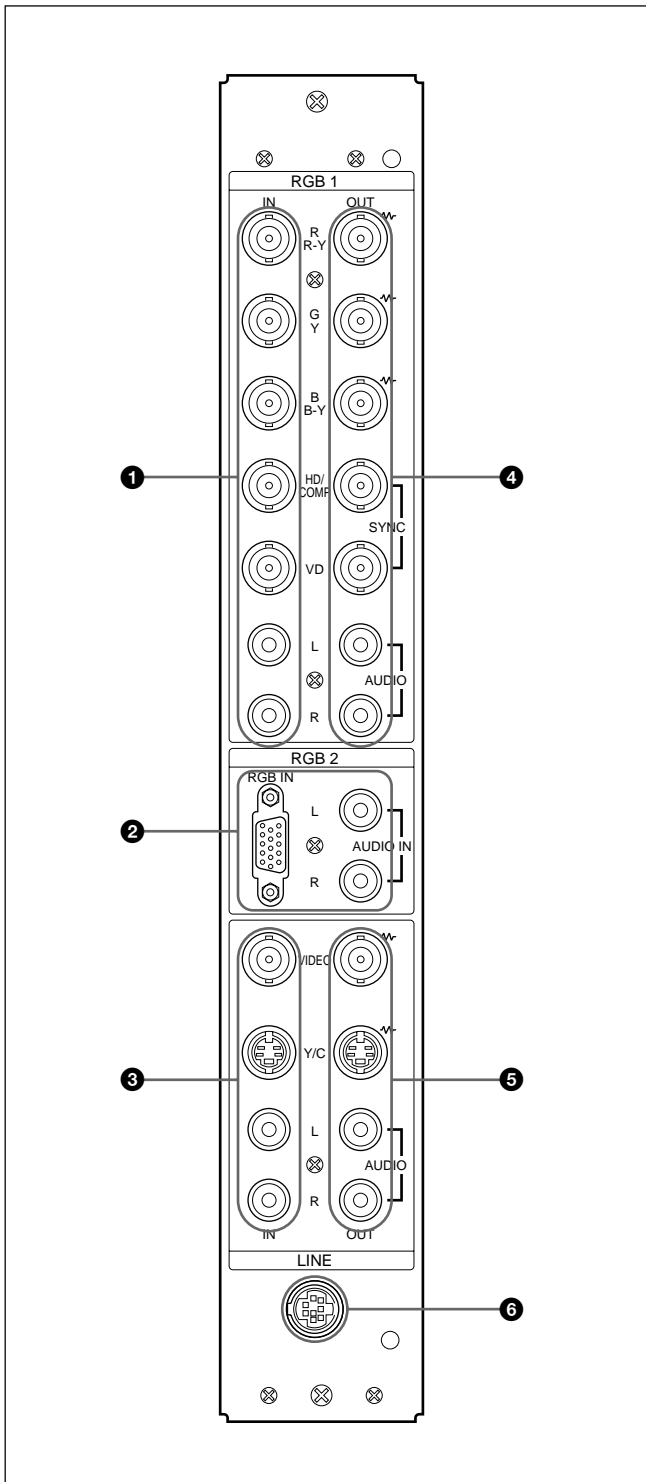
12 Botón MENU

Pulse este botón para que aparezca el menú.

13 Botones VOL (volumen) +/-

Pulse el botón + para aumentar el volumen o el botón - para reducirlo.

Panel de conectores derecho



1 Conectores RGB1 IN

R (R-Y)/G (Y)/B (B-Y) IN (tipo BNC): Introduzca la señal RVB o de componente análoga. Conecte a la señal de salida RVB o de componente (Y/B-Y/R-Y) de un ordenador o equipo de vídeo.

Esta unidad también acepta la señal componente HD análoga (Y/PB/PR). Introduzca la señal PB mediante el conector B (B-Y) IN y la señal PR mediante el conector R (R-Y) IN.

HD/COMP IN (tipo BNC): Introduzca la señal de sincronización H o de sincronización compuesta. Conecte a la señal de sincronización H o de sincronización compuesta de un ordenador o equipo de vídeo.

VD IN (tipo BNC): Introduzca la señal de sincronización V. Conecte a la salida de señal de sincronización V de un ordenador o equipo de vídeo.

La señal de sincronización externa se selecciona automáticamente. Consulte la tabla de prioridades a continuación.

Conector	Señales de sincronización introducidas		
	Sinc H	Sinc comp	—
HD/COMP IN	Sinc H	Sinc comp	—
VD IN	Sinc V	—	—
G(Y) IN	Sinc en Verde	Sinc en Verde	Sinc en Verde
Señales Sinc que deben seleccionarse	Sinc H Sinc V	Sinc comp	Sinc en Verde

AUDIO IN (L/R) (tipo fonográfico): Introduzca la señal de audio. Conecte a la salida de audio de un ordenador o equipo de vídeo. Conéctelo al canal L si la señal de audio es monofónica.

2 Conectores RGB2 IN

RGB IN (D-sub de 15-pines): Conéctelo a la salida de señal RVB de un ordenador.

AUDIO IN (L/R) (tipo fonográfico): Introduzca la señal de audio. Conecte a la salida de audio de un ordenador. Conéctelo al canal L si la señal de audio es monofónica.

(Continuación)

Ubicación y función de componentes y controles

3 Conectores LINE IN

VIDEO IN (tipo BNC): Conéctelo a la salida de señal de vídeo compuesta del equipo de vídeo.

Y/C IN (Mini DIN de 4 pines): Conéctelo a la salida de señal Y/C del equipo de vídeo.

AUDIO IN (L/R) (tipo fonográfico): Conéctelo a la salida de audio del equipo de vídeo. Conéctelo al canal L si la señal de audio es monofónica.

4 Conectores RGB1 OUT

Estos conectores se utilizan como salidas derivadas de los conectores RGB1 IN 1.

Cuando el enchufe se conecta a los conectores RGB OUT, se libera la terminación de 75 ohmios de los conectores RGB IN, y la señal introducida mediante los conectores RGB IN se emite a través de estos conectores.

R (R-Y)/G (Y)/B (B-Y) OUT (tipo BNC): Salidas derivadas de los conectores RGB IN. Conéctelo a la salida de señal RVB o de señal componente (Y/B-Y/R-Y) de otro monitor.

HD/COMP OUT (tipo BNC): Salida derivada del conector HD/COMP IN. Conéctelo a la entrada de señal de sincronización H o de sincronización compuesta de otro monitor.

VD OUT (tipo BNC): Salida derivada del conector VD IN. Conecte a la entrada de señal de sincronización V de otro monitor.

Nota

Los conectores HD/COMP OUT y VD OUT son salidas de alta impedancia.

Al utilizar estas salidas, conecte un monitor con conector de entrada de sincronización de alta impedancia; en caso contrario, la imagen puede oscilar o desaparecer porque no coincide el nivel de la señal de sincronización.

AUDIO OUT (L/R) (tipo fonográfico): Salidas derivadas de las tomas AUDIO IN. Conéctelo a las entradas de audio de otro monitor.

5 Conectores LINE OUT

Estos conectores se utilizan como salidas derivadas de los conectores LINE IN 3.

Cuando el enchufe se conecta al conector VIDEO OUT o a la toma Y/C OUT, se libera la terminación de 75 ohmios del conector VIDEO IN o de la toma Y/C IN, y la señal introducida mediante la toma VIDEO IN o Y/C IN se emite desde el conector VIDEO OUT o la toma Y/C OUT.

VIDEO OUT (tipo BNC): Conéctelo a la entrada de señal de vídeo compuesta de otro monitor o equipo de vídeo.

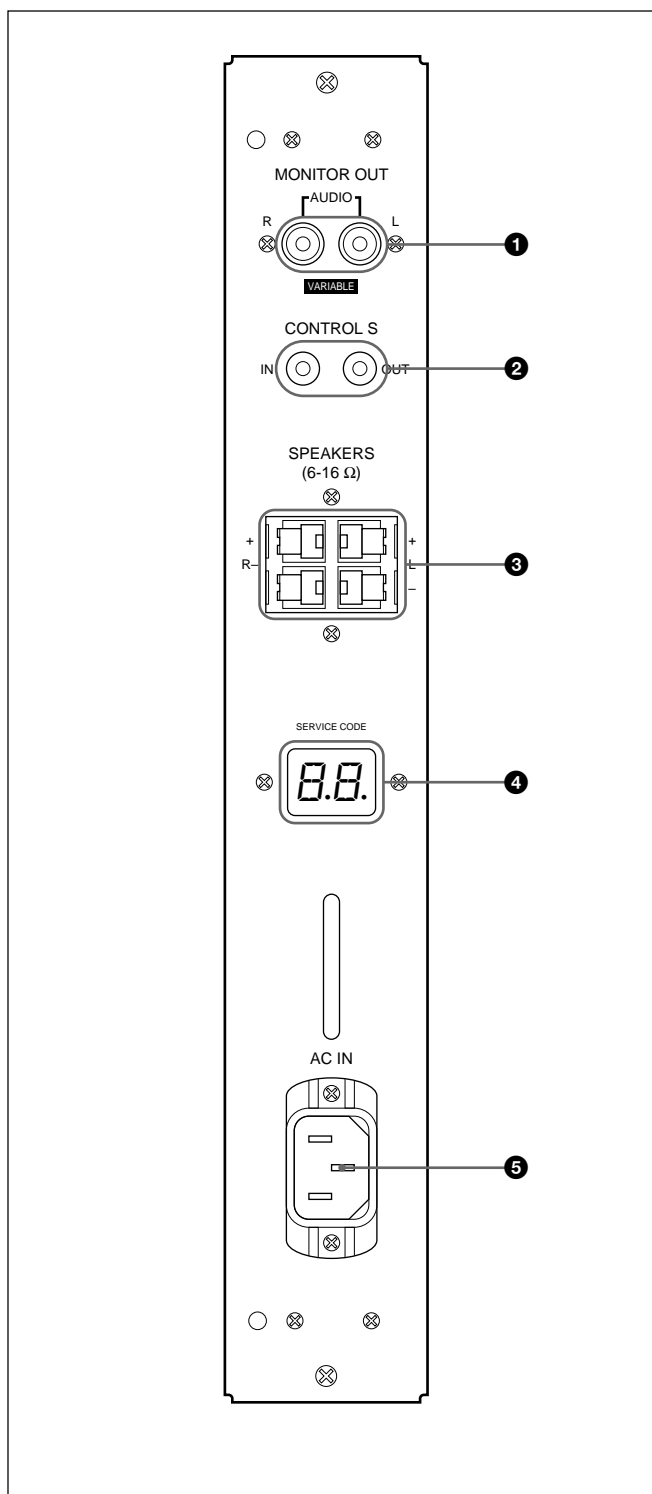
Y/C OUT (Mini DIN de 4 pines): Conéctelo a la entrada de señal Y/C de otro monitor o equipo de vídeo.

AUDIO OUT (L/R) (tipo fonográfico): Salidas derivadas de las tomas AUDIO IN. Conéctelo a las entradas de audio de otro monitor o equipo de vídeo.

6 Conector de servicio (mini DIN de 8 pines)

Este conector es sólo para personal cualificado.

Panel de conectores izquierdo



1 Tomas MONITOR OUT AUDIO (L/R) (tipo fonográfico)

Genere la salida de la señal introducida mediante las tomas AUDIO IN. Conéctelas a las entradas de audio de un amplificador de audio (no suministrado).

Nota

Estas tomas son salidas variables. Ajuste el volumen en la posición máxima para definir el nivel de salida como 500 mVrms.

2 Tomas CONTROL S IN/OUT (minitomas)

Conéctelas a las tomas CONTROL S de los equipos de vídeo u otros monitores. A continuación, podrá controlar todos los equipos de forma simultánea con un solo mando a distancia.

Para controlar los equipos apuntando con el mando a distancia suministrado al detector de control remoto del monitor, conecte la toma CONTROL S OUT del monitor y la toma CONTROL S IN de los demás equipos.

Notas

- Si conecta la toma CONTROL S IN a la toma CONTROL S OUT del otro equipo, no podrá emplear el monitor con el mando a distancia.
- Es posible utilizar el cable de estéreo con minienchufe en lugar del cable de control S.

3 Terminales SPEAKERS L/R

Conéctelos a altavoces con una impedancia de 6 a 16 ohmios.

Nota

No conecte el cable de altavoz al monitor y a un amplificador de forma simultánea, ya que una corriente eléctrica excesiva podría fluir desde el amplificador y dañar al monitor.

4 Indicador SERVICE CODE

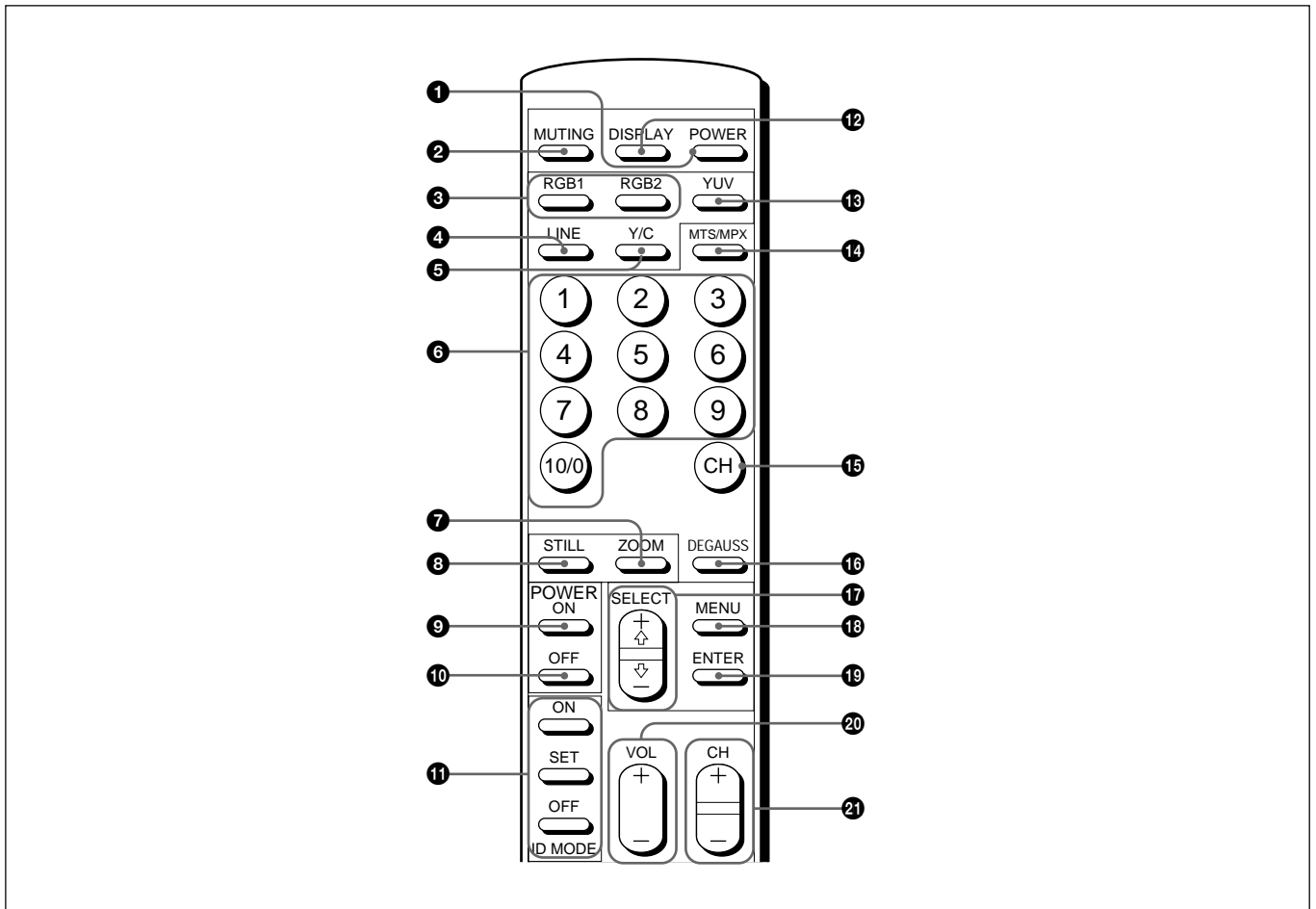
Este indicador es sólo para personal cualificado.

5 Toma ~ AC IN

Conecte el cable de alimentación de CA a esta toma y a una toma mural. Una vez conectado el cable de alimentación de CA, el monitor pasa al modo de espera.

Ubicación y función de componentes y controles

Mando a distancia RM-921



❶ Interruptor POWER

Púselo para encender el monitor. Vuelva a pulsarlo para volver al modo de espera.

Nota

Al utilizar varios monitores, pulse este interruptor para que los monitores ya encendidos pasen al modo de espera, o para encender los monitores que se encuentran en modo de espera.

❷ Botón MUTING

Púselo para suprimir el sonido. Vuelva a pulsar este botón o VOL (volumen) +/- para volver a activar el sonido.

❸ Botones RGB1/RGB2

Permiten seleccionar la entrada de señal mediante los conectores RGB1 o RGB2.

❹ Botón LINE

Permite seleccionar la entrada de señal mediante el conector VIDEO IN de los conectores LINE.

❺ Botón Y/C

Permite seleccionar la entrada de señal mediante la toma Y/C IN de los conectores LINE.

❻ Botones numéricos

Púselos para seleccionar el número de índice.

❼ Botón ZOOM

Permite ajustar el zoom. Cada vez que se pulsa el botón ZOOM, la imagen se amplía dos, tres y cuatro veces, respectivamente.

❽ Botón STILL

Sirve para congelar una imagen en la pantalla del monitor. Púselo de nuevo para volver a la pantalla normal.

9 Interruptor POWER ON

Púselo para encender el monitor. Al utilizar varios monitores, es posible utilizar este interruptor en lugar del interruptor POWER 1 para no afectar a otro monitor ya encendido.

10 Interruptor POWER OFF

Púselo para que el monitor cambie al modo de espera. Al utilizar varios monitores, es posible utilizar este interruptor en lugar del interruptor POWER 1 para no afectar a otros monitores que se encuentren en modo de espera.

11 Botón ID MODE (ON/SET/OFF)

Pulse el botón ON para que aparezca un número de índice en pantalla. A continuación, pulse el número de índice del monitor que desee emplear y pulse el botón SET. Después de realizar esta operación, pulse el botón OFF para volver al modo normal.

12 Botón DISPLAY

Muestra información sobre la señal de entrada en la parte superior de la pantalla del monitor. Pulse este botón de nuevo para borrarla.

13 Botón YUV

Permite seleccionar la señal de componente introducida mediante los conectores RGB1.

14 Botón MTS/MPX

Este botón no funciona con el monitor.

15 Botón CH

Este botón no funciona con el monitor.

16 Botón DEGAUSS

Este botón no funciona con el monitor.

17 Botones SELECT +↑/−↓

Púselos para desplazar el cursor (▶) hasta una opción o para ajustar un valor en un menú.

18 Botón MENU

Púselo para que aparezca el menú.

19 Botón ENTER

Púselo para seleccionar la opción que desee en un menú.

20 Botones VOL +/-

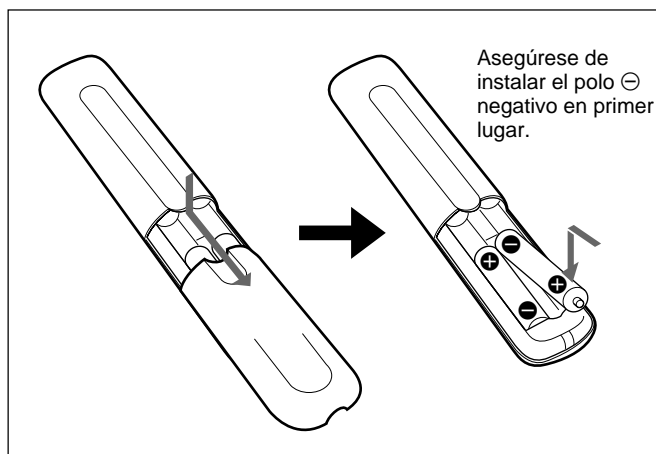
Pulse el botón + para aumentar el volumen, o el botón − para reducirlo.

21 Botones CH +/-

Estos botones no funcionan con el monitor.

Instalación de pilas

Inserte dos pilas de tamaño AA (R6) con la polaridad correcta.



- Con un uso normal, las pilas pueden durar hasta medio año. Si el mando a distancia no funciona correctamente, es posible que se hayan agotado las pilas. Sustitúyalas por otras nuevas.
- Para evitar daños producidos por posibles fugas, retire éstas si no tiene previsto utilizar el mando a distancia durante un periodo prolongado.

Si el mando a distancia no funciona

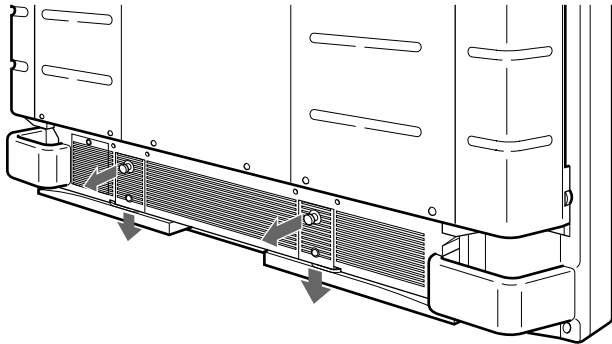
Compruebe que se ilumina el indicador ⏻. El mando a distancia sólo puede controlar el monitor cuando éste se encuentra encendido o en modo de espera.

Nota

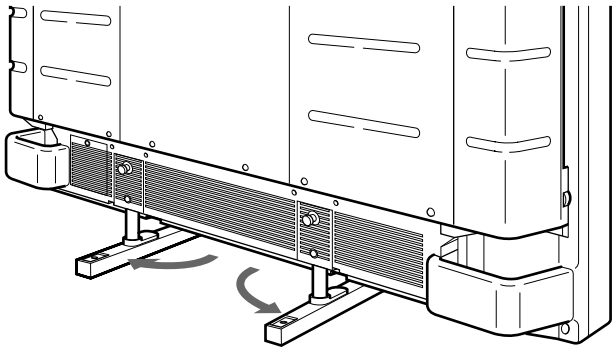
Si conecta el cable a la toma CONTROL S IN situado en el lateral del monitor, no podrá controlar el monitor con el mando a distancia.

Uso de los pies replegables

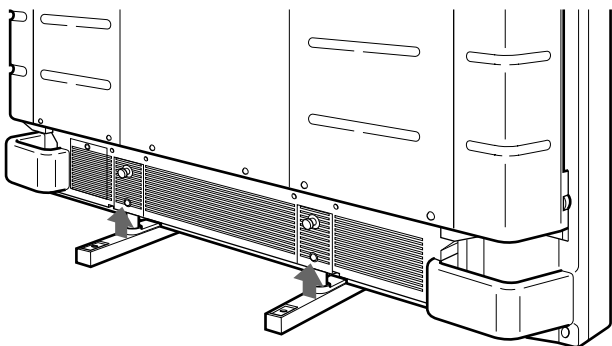
- 1 Agarre los tiradores y extraiga los pies replegables.



- 2 Gire los pies replegables hacia fuera.



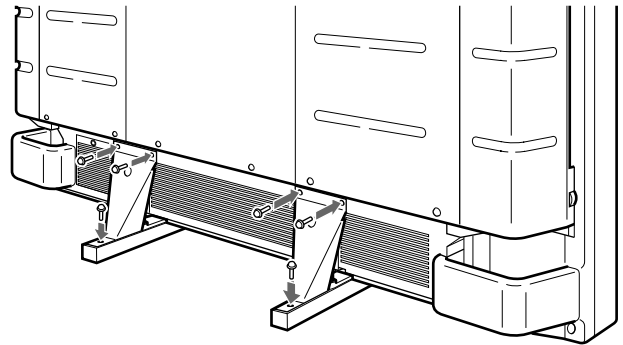
- 3 Introduzca los pies replegables hasta que queden bloqueados.



Para fijar los pies replegables

Si instala la unidad en el suelo, asegúrese de fijar los pies replegables.

Instale los soportes de apoyo de los pies como se ilustra a continuación.

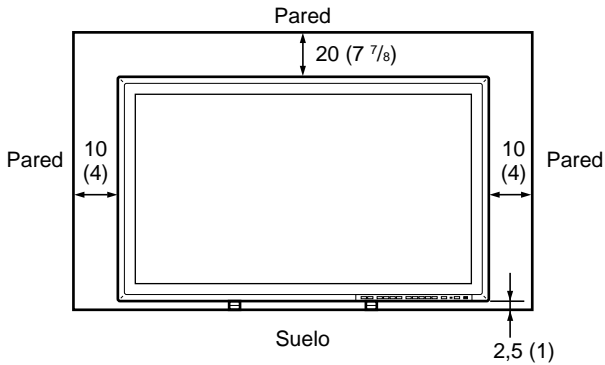


Precaución

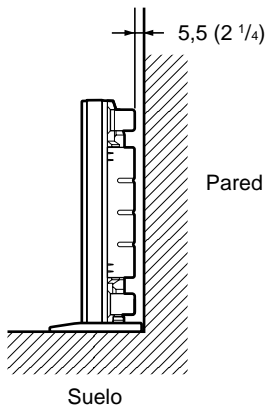
- Cuando instale el monitor, compruebe que haya más espacio que el mostrado en la siguiente ilustración.
- La temperatura ambiente debe ser de $0^{\circ}\text{C} - +35^{\circ}\text{C}$ ($32^{\circ}\text{F} - 95^{\circ}\text{F}$).

Si utiliza los pies replegables

Frontal



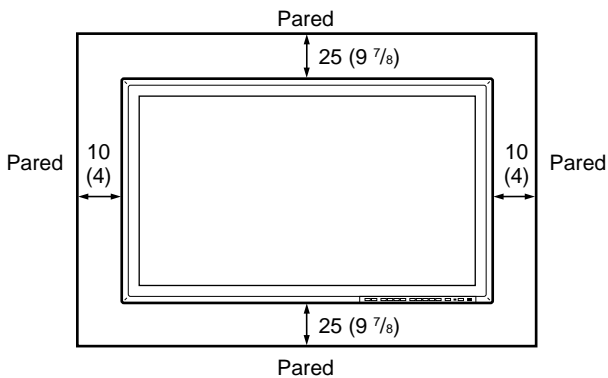
Lateral



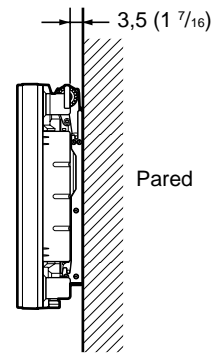
Unidades: cm (pulgadas)

Si utiliza el soporte de montaje

Frontal



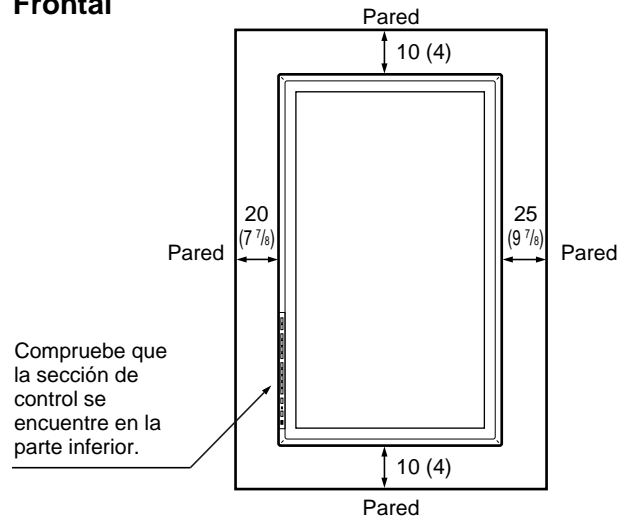
Lateral



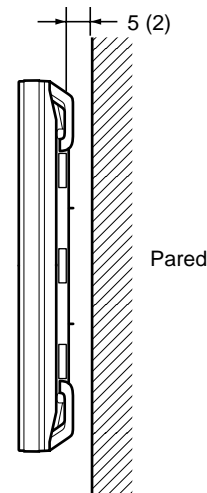
Unidades: cm (pulgadas)

Colgado en la pared: verticalmente

Frontal



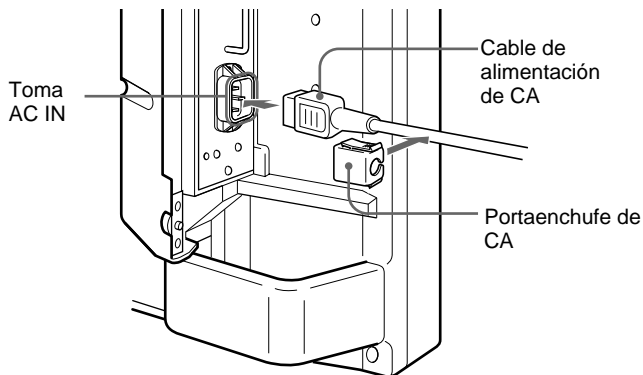
Lateral



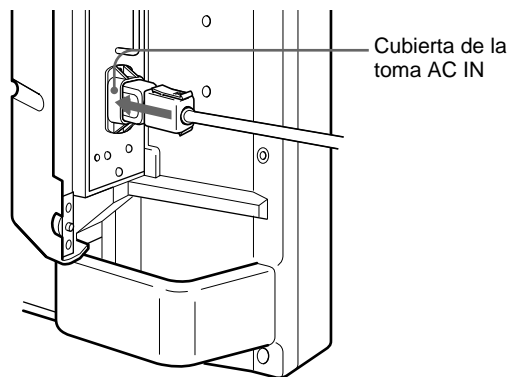
Unidades: cm (pulgadas)

Conexión del cable de alimentación de CA

- 1 Enchufe el cable de alimentación a la toma AC IN. A continuación, conecte el portaenchufe de CA (suministrado) al cable de alimentación de CA.



- 2 Deslice el portaenchufe de CA sobre el cable hasta que se conecte a la cubierta de la toma AC IN.



Para retirar el cable de alimentación de CA

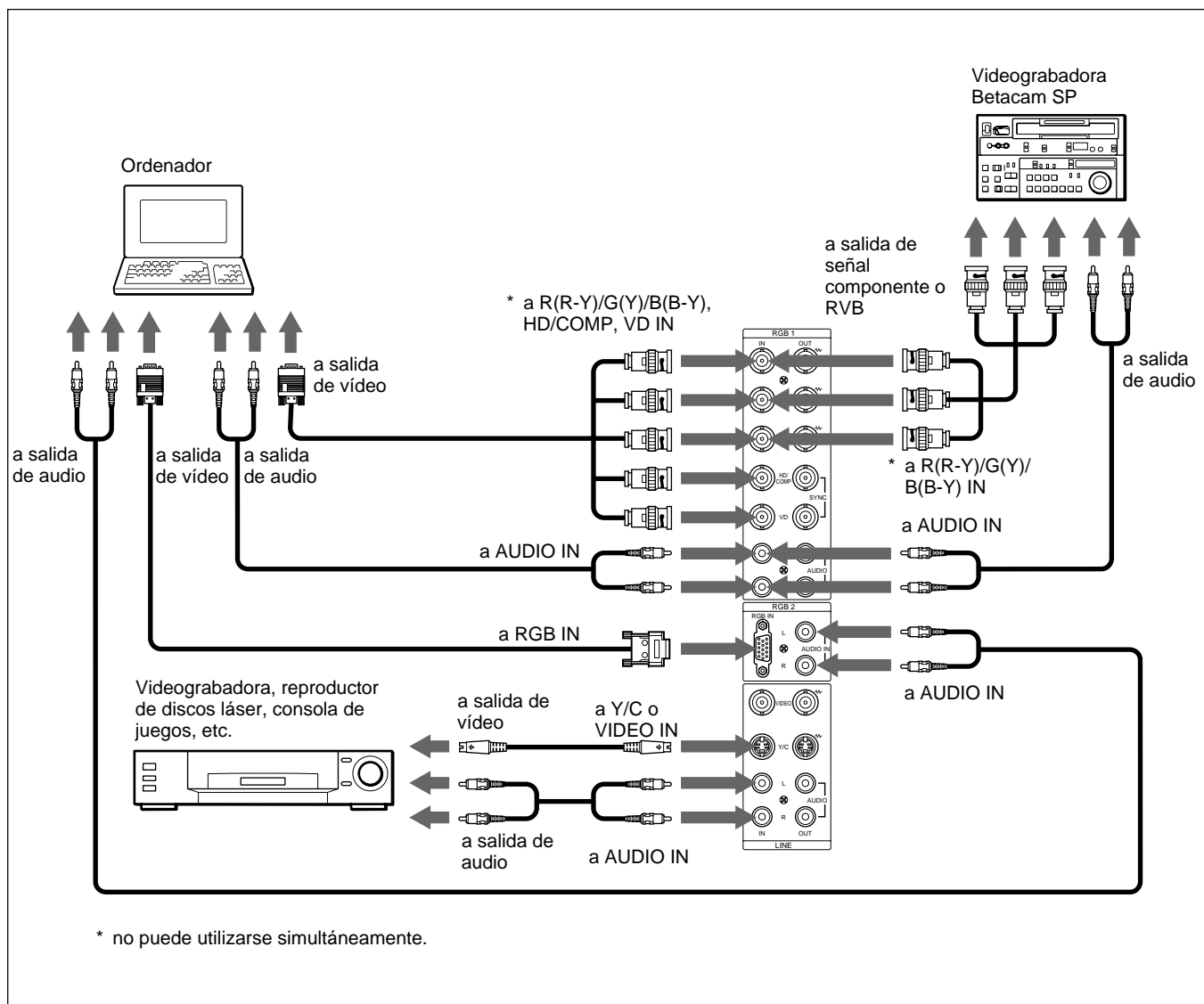
Comprima las partes superior e inferior y extraiga el portaenchufe de CA.

Ejemplo de conexión

Antes de comenzar

- En primer lugar, compruebe que ha desactivado la alimentación de todos los equipos.
- Emplee cables de conexión adecuados al equipo que va a conectar.
- Los conectores de cable deben insertarse por completo en las tomas. Una conexión floja puede producir zumbidos y otros ruidos.

- Para desconectar el cable, tire del enchufe, nunca del propio cable.
- Lea el manual de instrucciones del equipo que vaya a conectar.

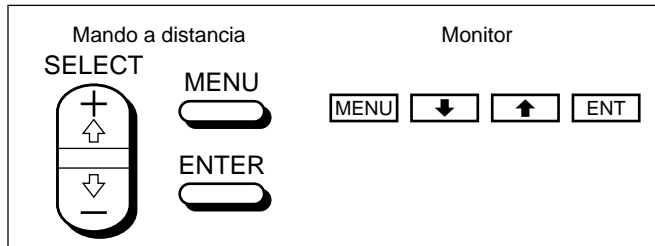


Uso de los menús en pantalla

Empleo mediante menús

Botones de empleo de menús

Existen cuatro botones en el monitor y en el mando a distancia para realizar operaciones con los menús.



En este manual, se utilizan los botones del panel de control en los ejemplos.

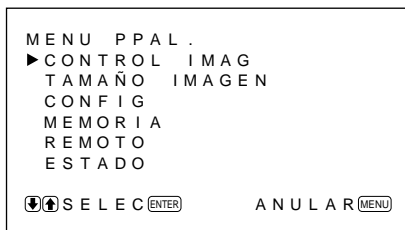
El botón ENTER del mando a distancia tiene la misma función que el botón ENT del panel de control, y los botones SELECT + ↑/↓ del mando a distancia equivalen a los botones ↑/↓ del panel de control.

Configuración del menú

Para seleccionar el idioma utilizado en el menú, consulte la página 31(ES).

1 Pulse MENU.

Aparece el menú principal en la pantalla del monitor.



2 Pulse ↑/↓ para desplazar el cursor (▶) y ENT para seleccionar un menú.

El menú seleccionado aparece en la pantalla del monitor.

3 Pulse ↑/↓ para desplazar el cursor (▶) y ENT para seleccionar una opción.

El menú correspondiente a la opción seleccionada aparece en la pantalla del monitor.

4 Pulse ↑/↓ para ajustar o seleccionar el valor y ENT para confirmar.

El ajuste se registra y vuelve a aparecer el menú anterior.

Para volver a la pantalla normal, pulse el botón MENU varias veces hasta que desaparezca el menú.

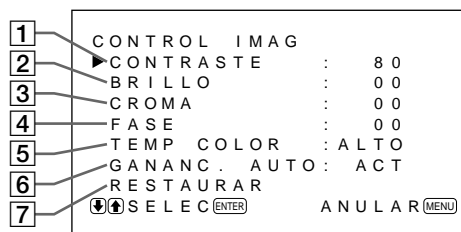
Menú guía

Nota

“-----” aparece junto a las opciones cuando la función no está disponible. La disponibilidad depende del tipo de señal de entrada.

Menú CONTROL IMAG

Este menú se emplea para ajustar la imagen.



1 CONTRASTE

Pulse ↑ para aumentar el contraste y ↓ para disminuirlo.

2 BRILLO

Pulse ↑ para aumentar el brillo de la imagen y ↓ para disminuirlo.

3 CROMA

Pulse ↑ para aumentar la saturación de color y ↓ para disminuirla.

4 FASE

Pulse ↑ para que toda la imagen adquiriera un tono verdoso y ↓ para que adquiriera un tono púrpura.

5 TEMP COLOR

Seleccione la temperatura del color entre ALTO (6500K) o BAJO (aprox. 5500K).

6 GANANC. AUTO

Seleccione ACT para mejorar el contraste de forma automática al introducir una señal de baja intensidad. *Para obtener más información sobre la función de ganancia automática de la imagen, consulte “Énfasis del contraste de la imagen (función de ganancia automática de la imagen)” en la página 24(ES).*

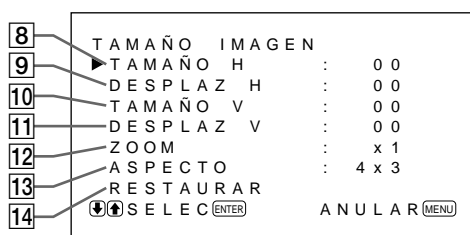
7 RESTAURAR

Seleccione esta opción para restaurar los ajustes de fábrica de las opciones 1 a 6 del menú CONTROL IMAG.

Para obtener más información sobre el uso de la función de restauración, consulte "Restauración de los valores originales del menú CONTROL IMAG" en la página 25(ES).

Menú TAMAÑO IMAGEN

Este menú se emplea para la posición, cambio de tamaño y zoom de la imagen.



8 TAMAÑO H

Ajusta el tamaño horizontal de la imagen. Pulse ↑ para aumentar el tamaño horizontal y ↓ para disminuirlo.

9 DESPLAZ H

Ajusta el centrado horizontal. Pulse ↑ para desplazar la imagen hacia la derecha y ↓ para desplazarla hacia la izquierda.

10 TAMAÑO V

Ajusta el tamaño vertical de la imagen. Pulse ↑ para aumentar el tamaño vertical y ↓ para disminuirlo.

11 DESPLAZ V

Ajusta el centrado vertical. Pulse ↑ para desplazar la imagen hacia arriba y ↓ para desplazarla hacia abajo.

12 ZOOM

Permite ampliar la imagen dos, tres y cuatro veces.

13 ASPECTO

Ajuste la relación de aspecto de la imagen en 4:3 o 16:9.

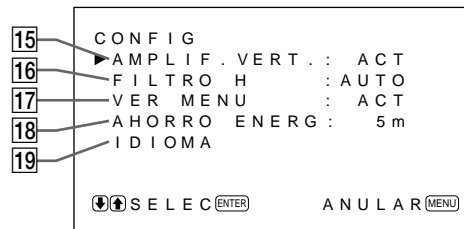
14 RESTAURAR

Seleccione esta opción para restaurar los ajustes de fábrica de las opciones 8 a 13 del menú TAMAÑO IMAGEN.

Para obtener más información sobre el uso de la función de restauración, consulte "Restauración del tamaño y posición originales de la imagen" en la página 27(ES).

Menú CONFIG

Este menú se emplea para ajustar la señal o para seleccionar el idioma.



15 AMPLIF. VERT.

Seleccione ACT normalmente.

Seleccione ACT para que el borde vertical sea más nítido.

16 FILTRO H

Seleccione AUTO normalmente.

Seleccione ALTO cuando en la pantalla aparezca el zumbido vertical.

Seleccione BAJO cuando en la pantalla aparezca el efecto tornasolado, patrón o ruido, que disminuirá aunque la pantalla aparezca un poco borrosa.

17 VER MENU

Seleccione ACT para ver información sobre la señal de entrada en la parte superior de la pantalla del monitor durante unos cinco segundos, al activar la alimentación o cambiar la señal de entrada.

18 AHORRO ENERG

Ajuste el periodo de tiempo para activar el modo de ahorro de energía.

Para obtener más información sobre la función de ahorro de energía, consulte "Desconexión automática de la alimentación cuando no hay ninguna señal de entrada (función de ahorro de energía)" en la página 30(ES).

19 IDIOMA

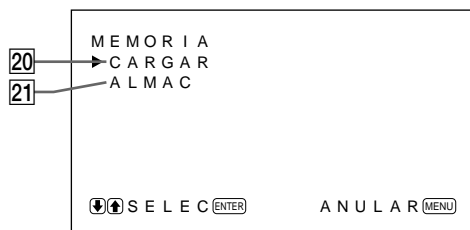
Seleccione un idioma para la pantalla entre los cinco disponibles.

Los idiomas disponibles son: inglés, alemán, francés, italiano y español.

Para obtener información más detallada sobre la selección del idioma, consulte "Selección del idioma en pantalla" en la página 31(ES).

Menú MEMORIA

Este menú se utiliza para almacenar o recuperar los ajustes de los menús CONTROL IMAG, TAMAÑO IMAGEN y CONFIG (sólo para AMPLIF. VERT. y FILTRO H).



Para obtener más información, consulte “Uso de la memoria” en la página 28(ES).

20 CARGAR

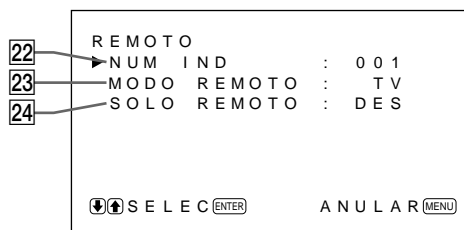
Recupera los ajustes predefinidos.

21 ALMAC

Guarda los ajustes.

Menú REMOTO

Este menú se usa para ajustar el control remoto.



22 NUM IND

Ajusta el número de índice del monitor.

Nota

Para ajustar el número, utilice los botones del monitor. Para obtener información más detallada sobre el número de índice, consulte “Empleo de un monitor específico con el mando a distancia” en la página 32(ES).

23 MODO REMOTO

Seleccione el modo de mando a distancia.

TV: Mando a distancia de monitores o televisores Sony.

PROY: Mando a distancia de proyectores Sony.

DES: Desactiva el control remoto.

Para obtener más información, consulte “Uso del otro mando a distancia” en la página 33(ES).

24 SOLO REMOTO

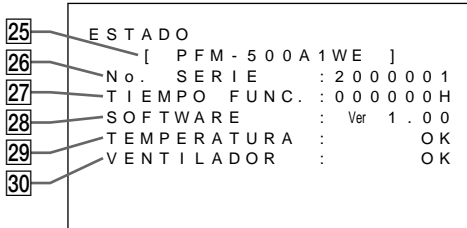
Seleccione ACT para desactivar los botones de control frontales del monitor, de modo que éste sólo puede controlarse con el mando a distancia. Mientras SOLO REMOTO está ACT, se apagan los indicadores del panel frontal.

Para cancelar el modo SOLO REMOTO, ajuste SOLO REMOTO en DES con el mando a distancia o pulse simultáneamente el botón CTRL y el interruptor . El monitor entra en modo de espera y se cancela el modo SOLO REMOTO.

El ajuste de esta opción se conserva al desconectar el cable de red de CA, pero se cancela al apagar el monitor con el interruptor de alimentación principal.

Menú ESTADO

Este menú se utiliza para visualizar información sobre el estado interno del monitor.



25 Nombre de modelo

Indica el nombre del modelo.

26 No. SERIE

Indica el número de serie.

27 TIEMPO FUNC.

Indica el número total de horas de funcionamiento.

Nota

El modo de espera no se contabiliza como tiempo de funcionamiento.

28 SOFTWARE


Indica la versión de software del sistema.

29 TEMPERATURA

Indica si la temperatura interna del monitor es la normal.


OK: Normal

MAL: Anormal

Cuando la temperatura interna no es normal, aparece MAL y el elemento parpadea en color rojo. El indicador  del panel de control también parpadea.

Nota

El mensaje “TEMPERATURA MAL” puede aparecer cuando se bloquean los orificios de ventilación o cuando el monitor se instala en un lugar mal ventilado. En este caso, asegúrese de que los orificios de ventilación no están bloqueados e instale el monitor en un lugar bien ventilado. Si el mensaje sigue apareciendo, póngase en contacto con un proveedor Sony autorizado.

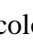
Si parpadea el indicador  o aparece la indicación MAL, consulte “Función de autodiagnóstico” en la página 31(ES).

30 VENTILADOR

Los ventiladores de refrigeración están incorporados en este monitor. Este elemento indica si los ventiladores de refrigeración funcionan correctamente.

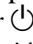
OK: Normal

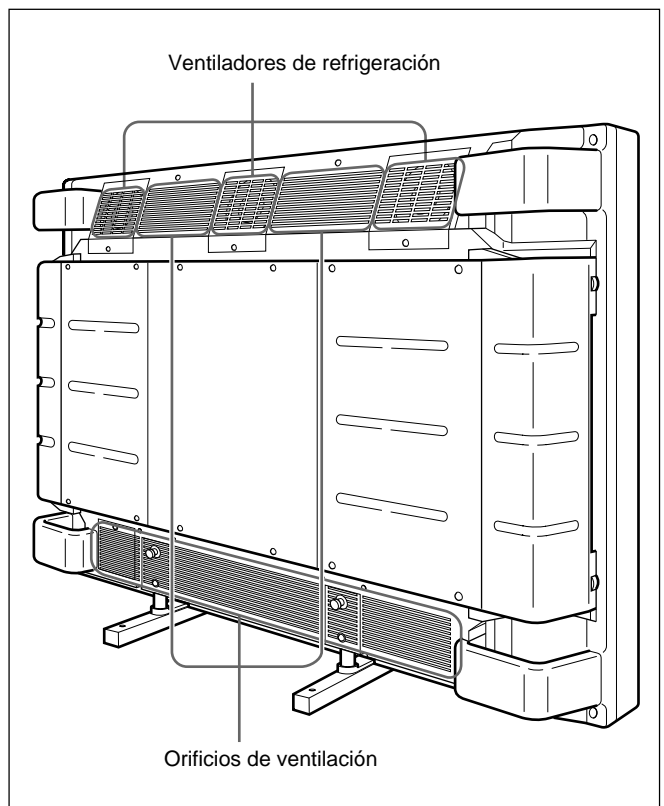
MAL: Anormal

Cuando el funcionamiento de los ventiladores es anormal, aparece la indicación MAL y el elemento parpadea en color rojo. El indicador  del panel de control también parpadea.

Nota

Si aparece el mensaje “VENTILADOR MAL”, consulte a un proveedor Sony autorizado.

Si el indicador  parpadea o aparece la indicación MAL, consulte “Función de autodiagnóstico” en la página 31(ES).



Visualización de la imagen

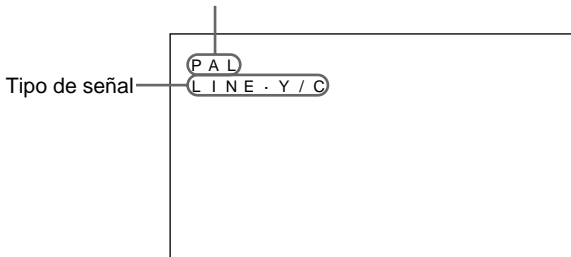
Antes de comenzar

- Encienda el monitor.
- Encienda el equipo conectado y reproduzca una fuente de vídeo.
- Para visualizar en pantalla la información sobre la señal de entrada al activar la alimentación o al cambiar dicha señal, ajuste la opción “VER MENU” del menú CONFIG en ACT.
- Para seleccionar el idioma en pantalla que desee para el menú, consulte la página 31(ES).

Conmutación de la imagen

- 1 Pulse CTRL en el panel de control del monitor. Se iluminan los botones RGB1, YUV, RGB2, LINE e Y/C.
- 2 Para seleccionar la fuente de entrada que desee visualizar, pulse los siguientes botones.
 - RGB1:** Selecciona la señal de audio y vídeo introducida desde los conectores RGB1 cuando la señal de entrada es RVB.
 - YUV:** Selecciona la señal de audio y vídeo introducida desde los conectores RGB1 cuando la señal de entrada es componente.
 - RGB2:** Selecciona la señal de audio y vídeo introducida desde los conectores RGB2.
 - LINE:** Selecciona la señal de audio y vídeo introducida desde el conector VIDEO IN y la toma AUDIO IN de los conectores LINE.
 - Y/C:** Selecciona la señal de audio y vídeo introducida desde el conector Y/C IN y la toma AUDIO IN de los conectores LINE.

Sistema de color o frecuencia horizontal/vertical



La señal de entrada seleccionada aparece en la pantalla del monitor.

También es posible cambiar la señal de entrada con el mando a distancia.

Nota

Recomendamos que el equipo de vídeo que sirva de fuente de entrada esté equipado con TBC (corrector de base de tiempo). Si recibe la señal sin TBC, la imagen puede desaparecer debido a las perturbaciones de la señal de sincronización.

Visualización de la imagen fija

Es posible congelar la imagen con el botón STILL del mando a distancia. Para ello, pulse el botón STILL cuando la imagen con movimiento se encuentre en pantalla.

También es posible congelar la imagen pulsando el botón del panel de control.

Para volver a la pantalla normal

- Pulse de nuevo el botón STILL del mando a distancia o el botón del panel de control.
- Cambie la señal de entrada.

Notas

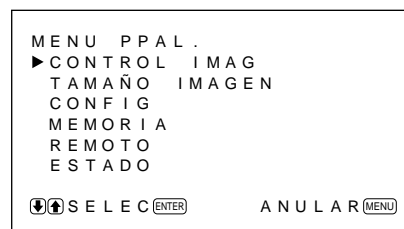
- Si maneja la unidad desde el menú, el botón funciona igual que para el manejo de menús.
- Los botones / parpadean en el modo de imagen fija.
- Cuando se ajusta VER MENU en ACT en el menú CONFIG, aparece la indicación “FIJA” en la parte superior del monitor. Para borrar la indicación, ajuste VER MENU en DES.

Visualización de información sobre la señal de entrada y el estado del monitor

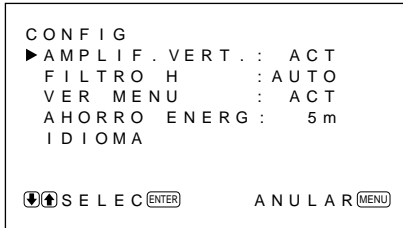
Al encender la unidad o cambiar la señal de entrada, la pantalla muestra información sobre la señal de entrada y el estado del monitor durante aproximadamente cinco segundos.

Para desactivar esta función, siga estas instrucciones.

- 1 Pulse MENU.
El menú principal aparece en la pantalla del monitor.



- 2** Pulse \uparrow/\downarrow para desplazar el cursor (\blacktriangleright) hasta “CONFIG” y pulse ENT.
Aparece el menú CONFIG en la pantalla del monitor.



- 3** Pulse \uparrow/\downarrow para desplazar el cursor (\blacktriangleright) hasta “VER MENU” y pulse ENT.
El siguiente menú aparece en la pantalla del monitor.



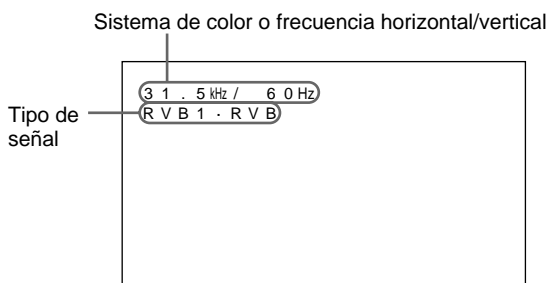
- 4** Pulse \uparrow para ajustar “VER MENU” en DES y pulse ENT.
Se desactiva la función VER MENU.

Para activar la función de información, ajuste “VER MENU” en ACT en el paso 4 anterior.

Nota

Pulsando el botón DISPLAY del mando a distancia puede obtener información sobre la señal de entrada en cualquier momento, sea cual sea el ajuste realizado.

Lista de información sobre la señal de entrada



Señal de entrada	Sistema de color o frecuencia horizontal/vertical	
NTSC	NTSC	
PAL	PAL	
VGA ^{a)} (Gráficos)	31,5 kHz	60 Hz
VGA (Texto)	31,5 kHz	70 Hz
HDTV	33,8 kHz	60 Hz
Mac ^{b)} 13"	35,0 kHz	67 Hz
VESA ^{c)} 800×600	37,9 kHz	60 Hz
VESA 1024×768	48,4 kHz	60 Hz
Mac 16"	49,7 kHz	75 Hz
ATI ^{d)} 1280×1024	64,0 kHz	60 Hz
Mac 21"	68,7 kHz	75 Hz
VESA 1280×1024	80,0 kHz	75 Hz

- a) VGA es una marca comercial registrada de International Business Machines Corporation, EE.UU.
b) Mac (Macintosh) es una marca comercial registrada de Apple Computer, Inc.
c) VESA es una marca comercial registrada de Video Electronics Standard Association.
d) ATI es una marca comercial registrada de ATI Technologies, Inc.

Nota

Al introducir la señal HDTV, introduzca la señal de sincronización de tres niveles mediante el conector G/Y IN.

Indicaciones en pantalla sobre el estado del monitor

Indicaciones en pantalla	Significado
31.5kHz / 60Hz (ej.)	La señal de entrada seleccionada es RVB de ordenador.
525 / 60 (ej.)	La señal de entrada seleccionada es RVB o componente de vídeo.
NTSC	La señal de entrada seleccionada es NTSC.
PAL	La señal de entrada seleccionada es PAL.
OTROS	La señal de entrada está fuera del rango de captación.
NO SYNC	No hay ninguna señal de entrada.
SUPRES	El sonido está omitido.
RGB1 RVB	El modo de señal de RGB1 está ajustado en RVB.
RGB1 YUV	El modo de señal de RGB1 está ajustado en componente de vídeo.
LINE COMP	a entrada de vídeo compuesta está seleccionada en LINE.
LINE Y/C	La entrada de vídeo Y/C está seleccionada en LINE.
FIJA	La imagen está congelada.

Ajuste de la imagen

Mientras visualiza la imagen, puede ajustar el contraste, brillo, crominancia y fase según sus preferencias. Los ajustes pueden realizarse por separado para cada señal de entrada. También es posible almacenar en memoria los niveles ajustados.

Ajuste del contraste, brillo, crominancia y fase

Pulse MENU para que aparezca el menú principal en la pantalla del monitor y seleccione la opción “CONTRASTE”, “BRILLO”, “CROMA” o “FASE” en el menú CONTROL IMAG con los botones **↑/↓**.

CONTRASTE

Seleccione la opción “CONTRASTE” con los botones **↑/↓** y pulse el botón ENT.

Ajuste el contraste con los botones **↑/↓** dentro del margen MIN (0) a MAX (+100).

- ↑**: para aumentar el contraste de la imagen
- ↓**: para disminuir el contraste de la imagen

BRILLO

Seleccione la opción “BRILLO” con los botones **↑/↓** y pulse el botón ENT.

Ajuste el brillo con los botones **↑/↓** dentro del margen MIN (-50) a MAX (+50).

- ↑**: para que el conjunto de la imagen adquiera un tono verdoso
- ↓**: para que el conjunto de la imagen adquiera un tono púrpura

CROMA

Seleccione la opción “CROMA” con los botones **↑/↓** y pulse el botón ENT.

Ajuste la crominancia con los botones **↑/↓** dentro del margen MIN (-50) a MAX (+50).

- ↑**: para aumentar la intensidad del color
- ↓**: para disminuir la intensidad del color

FASE

Seleccione la opción “FASE” con los botones **↑/↓** y pulse el botón ENT.

Ajuste la fase con los botones **↑/↓** dentro del margen MIN (-50) a MAX (+50).

↑: para que el conjunto de la imagen adquiera un tono verdoso

↓: para que el conjunto de la imagen adquiera un tono púrpura

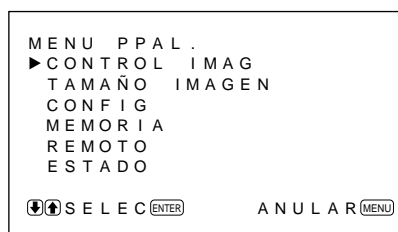
Notas

- Los controles CROMA y FASE no funcionan con la señal RVB.
- El control FASE no funciona con señales de componente.
- El control FASE no funciona con fuentes de color PAL.
- No cambie el nivel CROMA/FASE (sólo NTSC) si la señal seleccionada no es NTSC o PAL. Aunque no tiene efecto sobre la imagen actual, sí afecta a la imagen de la señal NTSC o PAL que llegue después.

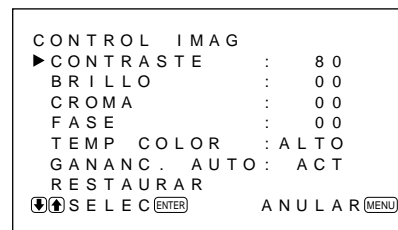
Énfasis del contraste de la imagen (función de ganancia automática de la imagen)

Cuando la intensidad de la imagen es baja, esta función mejora el contraste de forma automática. Active esta función si la fuente de imagen es oscura.

- 1 Pulse MENU.
El menú principal aparece en la pantalla del monitor.



- 2 Pulse **↑/↓** para desplazar el cursor (▶) hasta “CONTROL IMAG” y pulse ENT.
Aparece el menú CONTROL IMAG en la pantalla del monitor.



- 3** Pulse \uparrow/\downarrow para desplazar el cursor (\blacktriangleright) hasta “GANANC. AUTO” y pulse ENT.
Aparece el siguiente menú en la pantalla del monitor.

```
GANANC. AUTO : DES
```

- 4** Pulse \uparrow/\downarrow para ajustar “GANANC. AUTO” en ACT.
- 5** Pulse ENT.
Vuelve a aparecer el menú CONTROL IMAG.

Restauración de los valores originales del menú CONTROL IMAG

- 1** En el menú CONTROL IMAG, pulse \uparrow/\downarrow para desplazar el cursor (\blacktriangleright) hasta “RESTAURAR” y pulse ENT.
Aparece el siguiente menú en la pantalla del monitor.

```
RESTAURAR : NO
```

\uparrow/\downarrow SELE C ENTER ANULAR MENU

- 2** Pulse \uparrow/\downarrow .
“NO” cambia a “SI”.

```
RESTAURAR : SI
```

\uparrow/\downarrow SELE C ENTER ANULAR MENU

- 3** Pulse ENT.
Se restauran los valores originales del menú CONTROL IMAG.

Para cancelar la función de restauración, pulse el botón MENU antes del botón ENT.

Posición, zoom y cambio de tamaño de la imagen

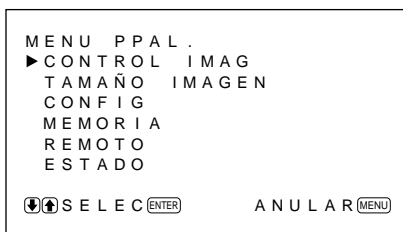
Es posible desplazar la posición de la imagen de forma que encaje en la pantalla, o ajustar el tamaño vertical y horizontal de la imagen por separado.

También es posible ampliar la imagen de forma que sea dos, tres o cuatro veces más grande que su tamaño original.

Cambio del tamaño de la imagen

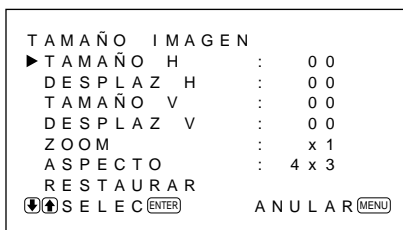
1 Pulse MENU.

El menú principal aparece en la pantalla del monitor.



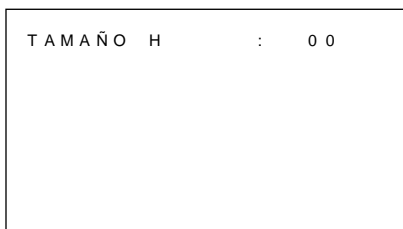
2 Pulse ↑/↓ para desplazar el cursor (▶) hasta “TAMAÑO IMAGEN” y pulse ENT.

El menú TAMAÑO IMAGEN aparece en la pantalla del monitor.



3 Pulse ↑/↓ para desplazar el cursor (▶) hasta “TAMAÑO H” y pulse ENT.

Aparece el siguiente menú en la pantalla del monitor.



4 Pulse ↑/↓ para cambiar el tamaño de la imagen.

↑: para aumentar el tamaño horizontal
↓: para reducir el tamaño horizontal

El tamaño horizontal de la imagen se indica en la pantalla del monitor en un rango comprendido entre MIN(-50) y MAX(+50). El valor de fábrica es 00.

5 Pulse ENT.

Vuelve a aparecer el menú TAMAÑO IMAGEN.

6 Pulse ↑/↓ para desplazar el cursor (▶) hasta “TAMAÑO V” y pulse ENT.

Aparece el siguiente menú en la pantalla del monitor.



7 Pulse ↑/↓ para cambiar el tamaño de la imagen.

↑: para aumentar el tamaño vertical

↓: para reducir el tamaño vertical

El tamaño vertical de la imagen se indica en la pantalla del monitor en un rango comprendido entre MIN(-50) y MAX(+50). El valor de fábrica es 00.

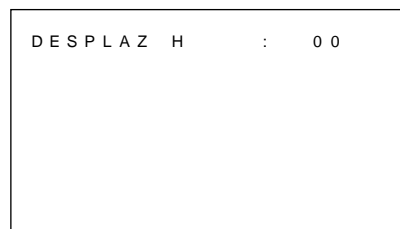
8 Pulse ENT.

Vuelve a aparecer el menú TAMAÑO IMAGEN.

Ajuste de la posición de la imagen

1 En el menú TAMAÑO IMAGEN, pulse ↑/↓ para desplazar el cursor (▶) hasta “DESPLAZ H” y pulse ENT.

Aparece el siguiente menú en la pantalla del monitor.



2 Pulse ↑/↓ para desplazar la imagen.

↑: para desplazar la imagen hacia la derecha

↓: para desplazar la imagen hacia la izquierda

La posición horizontal de la imagen se indica en la pantalla del monitor en un rango comprendido entre MIN(-50) y MAX(+50). El valor de fábrica es 00.

3 Pulse ENT.
Vuelve a aparecer el menú TAMAÑO IMAGEN.

4 Pulse **↑/↓** para desplazar el cursor (**▶**) hasta “DESPLAZ V” y pulse ENT.
Aparece el siguiente menú en la pantalla del monitor.

```
DESPLAZ V      :   00
```

5 Pulse **↑/↓** para desplazar la imagen.
↑: para desplazar la imagen hacia arriba
↓: para desplazar la imagen hacia abajo
La posición vertical de la imagen se indica en la pantalla del monitor en un rango comprendido entre MIN(-50) y MAX(+50). El valor de fábrica es 00.

6 Pulse ENT.
Vuelve a aparecer el menú TAMAÑO IMAGEN.

Ampliación de la imagen

También es posible emplear el botón ZOOM del mando a distancia.

1 En el menú TAMAÑO IMAGEN, pulse **↑/↓** para desplazar el cursor (**▶**) hasta “ZOOM” y pulse ENT.
Aparece el siguiente menú en la pantalla del monitor.

```
ZOOM           :   x 1
```

2 Pulse **↑/↓** para ajustar la ampliación.
Cada vez que pulse **↑**, la imagen se amplía dos, tres y cuatro veces, respectivamente.
Para reducir el tamaño, pulse **↓**.

3 Pulse ENT.
Vuelve a aparecer el menú TAMAÑO IMAGEN.

Restauración del tamaño y posición originales de la imagen

1 En el menú TAMAÑO IMAGEN, pulse **↑/↓** para desplazar el cursor (**▶**) hasta “RESET” y pulse ENT.
El siguiente menú aparece en la pantalla del monitor.

```
RESTAURAR :   NO
```

↑/↓ SELEC **ENTER** ANULAR **MENU**

2 Pulse **↑/↓**.
“NO” cambia a “SI”.

```
RESTAURAR :   SI
```

↑/↓ SELEC **ENTER** ANULAR **MENU**

3 Pulse ENT.
Se restauran el tamaño y posición originales de la imagen.

Para cancelar la función de restauración, pulse el botón MENU antes de pulsar ENT.

Uso de la memoria

Con la función MEMORIA es posible almacenar la condición de la imagen actual de cada señal de entrada.

La condición almacenada puede restablecerse cuando resulte necesario.

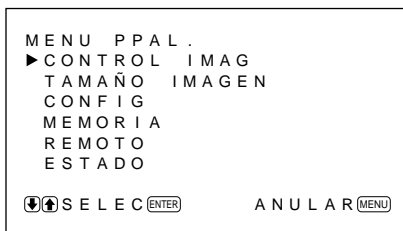
Las opciones de los menús CONTROL IMAG, TAMAÑO IMAGEN y CONFIG (sólo para AMPLIF. VERT. y FILTRO H) pueden memorizarse.

Es posible almacenar la condición de imagen de hasta cinco señales de entrada.

Almacenamiento de la condición actual

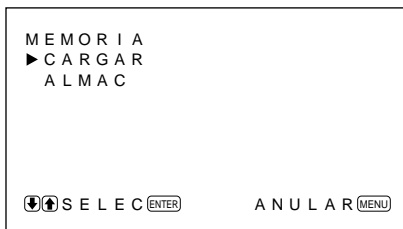
1 Pulse MENU.

Aparece el menú principal en la pantalla del monitor.



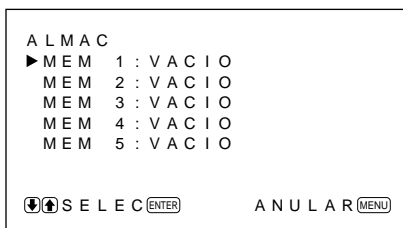
2 Pulse ↑/↓ para desplazar el cursor (▶) hasta “MEMORIA” y pulse ENT.

Aparece el menú MEMORIA en la pantalla del monitor.



3 Pulse ↑/↓ para desplazar el cursor (▶) hasta “ALMAC” y pulse ENT.

Aparece el siguiente menú en la pantalla del monitor.

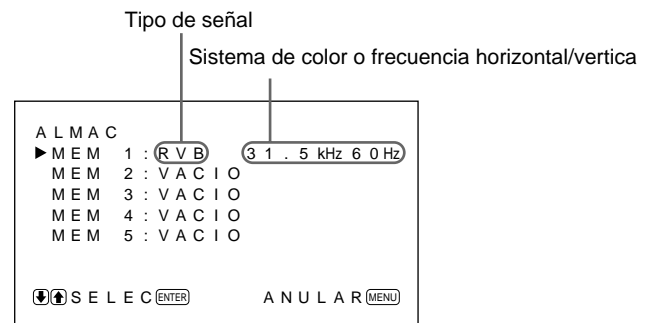


4 Pulse ↑/↓ para desplazar el cursor (▶) hasta MEM 1 a 5 y pulse ENT.

Aparece el mensaje “FINALIZ” durante unos cinco segundos.

Los datos actuales quedan almacenados en el número de memoria seleccionado.

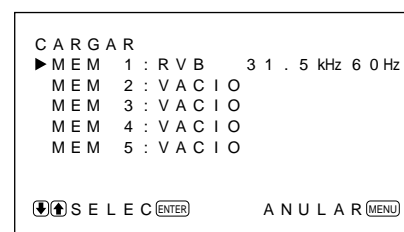
Si se han almacenado datos en el número de memoria seleccionado, el tipo de señal y el sistema de color o la frecuencia horizontal/vertical aparecerán en la columna derecha junto al número de memoria seleccionado.



Restablecimiento de la condición almacenada

1 En el menú MEMORIA, pulse ↑/↓ para desplazar el cursor (▶) hasta “CARGAR” y pulse ENT.

Aparece el siguiente menú en la pantalla del monitor.



2 Pulse ↑/↓ para desplazar el cursor (▶) hasta MEM 1 a 5 y pulse ENT.

El mensaje “FINALIZ” aparece durante unos cinco segundos.

La imagen se ajusta a la condición seleccionada.

Notas

- No es posible recuperar los datos de la memoria si la señal seleccionada difiere de la predefinida.
- Es posible memorizar las siguientes opciones:

Menú CONTROL IMAG

- CONTRASTE
- BRILLO
- CROMA
- FASE
- TEMP COLOR
- GANANC. AUTO

Menú TAMAÑO IMAGEN

- TAMAÑO H
- DESPLAZ H
- TAMAÑO V
- DESPLAZ V
- ZOOM
- ASPECTO

Menú CONFIG

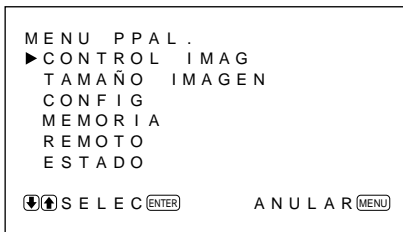
- AMPLIF. VERT.
- FILTRO H

Desconexión automática de la alimentación cuando no hay ninguna señal de entrada (función de ahorro de energía)

Esta unidad se apaga automáticamente una vez transcurrido un determinado periodo de tiempo si no se recibe ninguna señal de entrada mediante los conectores RGB1 o RGB2 (función de ahorro de energía).

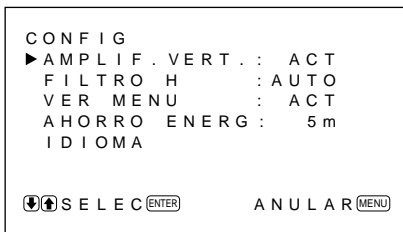
1 Pulse MENU.

Aparece el menú principal en la pantalla del monitor.



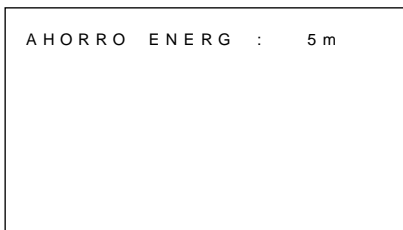
2 Pulse ↑/↓ para desplazar el cursor (▶) hasta "CONFIG" y pulse ENT.

El menú CONFIG aparece en la pantalla del monitor.



3 Pulse ↑/↓ para desplazar el cursor (▶) hasta "AHORRO ENERG" y pulse ENT.

Aparece el siguiente menú en la pantalla del monitor.



4 Pulse ↑/↓ para seleccionar el periodo de tiempo para la activación del modo de ahorro de energía.

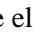
DES: La función de ahorro de energía no funciona.

5 m: Se activa el modo de ahorro de energía después de cinco minutos si no se recibe ninguna señal de entrada.

10 m: Se activa el modo de ahorro de energía después de 10 minutos si no se recibe ninguna señal de entrada.

El indicador de encendido parpadea cuando la unidad se encuentra en el modo de ahorro de energía.

Para cancelar la función de ahorro de energía

- Vuelva a introducir la señal de sincronización.
- Pulse el interruptor  en el panel de control o el interruptor POWER del mando a distancia.

Especificación de señales para el uso de la función de ahorro de energía

RGB1: Cuando la señal de sincronización está conectada al conector HD/COMP IN.

RGB2: Cuando la señal de sincronización está conectada al pin 13 del conector RGB IN (D-sub de 15 pines).

Notas

- La función de ahorro de energía no funciona cuando la señal se introduce mediante los conectores LINE.
- Si la señal de sincronización no está conectada al conector HD/COMP IN, la unidad ni siquiera se enciende al introducir dicha señal. Asegúrese de ajustar AHORRO ENERG en DES cuando sólo está conectada la señal RVB o componente.
- Si la señal de sincronización no está conectada al pin 13 del conector RGB IN (D-sub de 15 pines), la unidad ni siquiera se enciende al introducir dicha señal. Asegúrese de ajustar AHORRO ENERG en DES cuando sólo está conectada la señal RVB.

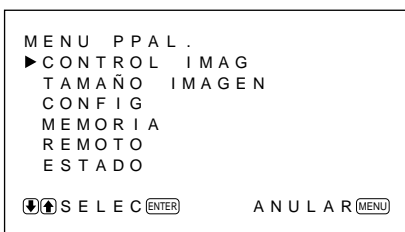
Selección del idioma en pantalla

Es posible seleccionar el idioma que desee entre los cinco disponibles.

Los idiomas disponibles son: inglés, alemán, francés, italiano y español.

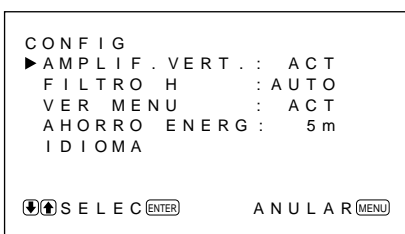
1 Pulse MENU.

El menú principal aparece en la pantalla del monitor.



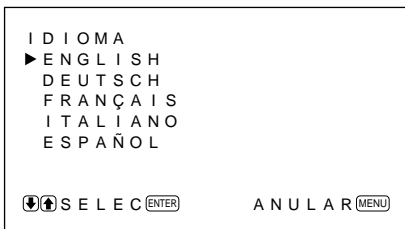
2 Pulse ↑/↓ para desplazar el cursor (▶) hasta “CONFIG” y pulse ENT.

El menú CONFIG aparece en la pantalla del monitor.



3 Pulse ↑/↓ para desplazar el cursor (▶) hasta “IDIOMA” y pulse ENT.

El siguiente menú aparece en la pantalla del monitor.



4 Pulse ↑/↓ para desplazar el cursor (▶) hasta el idioma que desee y pulse ENT.

El idioma en pantalla cambia por el que haya seleccionado.

ENGLISH: inglés

DEUTSCH: alemán

FRANÇAIS: francés

ITALIANO: italiano

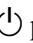
ESPAÑOL: español

5 Pulse MENU.

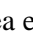
Vuelve a aparecer el menú CONFIG.

Función de autodiagnóstico

La unidad cuenta con función de autodiagnóstico.

Esta función muestra la condición del monitor con el indicador  parpadeando y números en el indicador SERVICE CODE. Los números informan sobre el estado actual del monitor.

Cuando la unidad funciona correctamente, sólo parpadea el punto situado en la parte derecha inferior del indicador SERVICE CODE.

Si parpadea el indicador , compruebe el número y consulte a un proveedor Sony autorizado.

1 Verifique el número de dos dígitos del indicador SERVICE CODE.

El indicador muestra un número o bien varios números de forma alterna cada medio segundo.

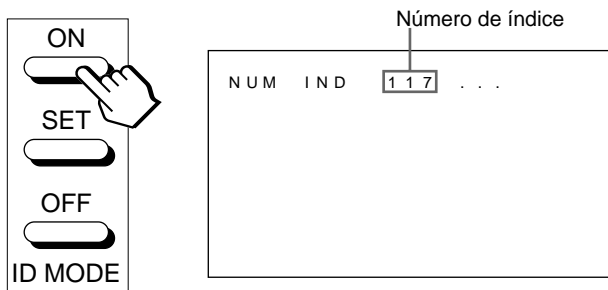
2 Desenchufe la unidad.

Comunique el número a un proveedor Sony autorizado.

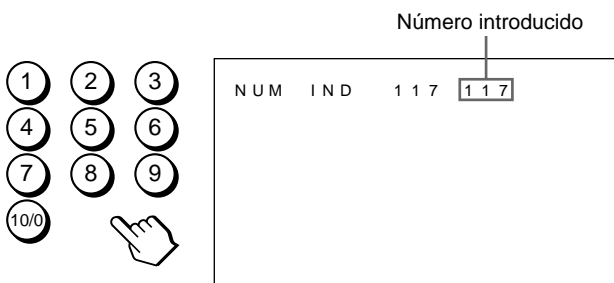
Empleo de un monitor específico con el mando a distancia

Con el mando a distancia suministrado, puede emplear un monitor específico sin afectar a los demás monitores que se hayan instalado juntos.

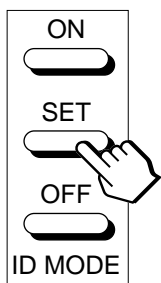
- 1 Pulse ID MODE ON en el mando a distancia. Aparecen números de índice de monitor en caracteres blancos en todos los monitores (a cada monitor se le asigna un número de índice individual predefinido de 1 a 255).
Consulte “Para cambiar el número de índice” en la columna de la derecha de esta página si desea cambiar el número de índice.



- 2 Introduzca el número de índice del monitor que desee emplear utilizando los botones 0 – 9 del mando a distancia. El número introducido aparece junto al número de índice de cada monitor.

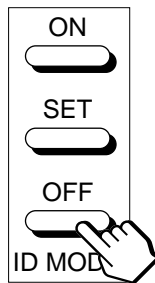


- 3 Pulse ID MODE SET. El carácter del monitor seleccionado se torna de color cian mientras los demás se tornan rojos.



Sólo podrá emplear el monitor especificado (todas las operaciones están disponibles en el modo ID excepto POWER ON/OFF).

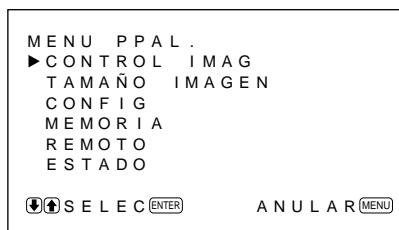
- 4 Después de realizar los ajustes necesarios, pulse ID MODE OFF. El monitor vuelve al modo normal.



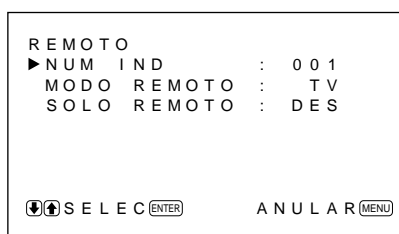
Para cambiar el número de índice

Puede cambiar el número de índice en caso necesario. Para cambiar el número, utilice los botones del monitor.

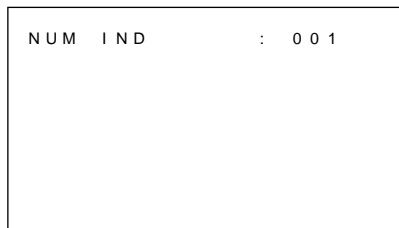
- 1 Pulse MENU. El menú principal aparece en la pantalla del monitor.



- 2 Pulse ↑/↓ para desplazar el cursor (▶) hasta “REMOTO” y pulse ENT. El menú REMOTO aparece en la pantalla del monitor.



- 3 Pulse ↑/↓ para desplazar el cursor (▶) hasta “NUM IND” y pulse ENT. El siguiente menú aparece en la pantalla del monitor.



- 4 Seleccione el número de índice con ↑/↓ y pulse ENT. Vuelve a aparecer el menú REMOTO.

Uso del otro mando a distancia

Es posible controlar las siguientes operaciones.

- Activación y desactivación de la alimentación
- Selección de entrada
- Operaciones de menú
- Ajustes de imagen: contraste, fase y croma
- Activación y desactivación de indicaciones en pantalla (sólo para monitores de vídeo y televisores)

Las operaciones disponibles y los botones utilizados para cada operación están limitados en función de cada mando a distancia. Consulte la tabla siguiente.

Modelo de mando a distancia		RM-854	RM-1271	RM-PJ1292	RM-PJ1000
Ajuste de MODO REMOTO		TV	PJ	PJ	PJ
Selección de entrada	RGB1	RGB	A	A	A
	RGB 2	—	B	B	B
	LINE	LINE1	VIDEO	VIDEO	VIDEO
Operación de menú	MENU	MENU	PAGE o ←	PAGE o ←	MENU o ←
	ENTER	ENTER	→	→	ENTER o →
	+	+	↑	↑	↑
	-	-	↓	↓	↓
Ajuste de imagen	Contraste	CONTRAST+/-	CONTR+/-	CONTR+/-	CONTR+/-
	Crominancia	CHROMA+/-	COLOR+/-	COLOR+/-	COLOR+/-
	Fase	PHASE+/-	HUE+/-	HUE+/-	HUE+/-
Información en pantalla		DISPLAY	—	STATUS ON	STATUS ON

Especificaciones

Proceso de vídeo

Rango de captación	Índice horizontal: 15,6 a 80 kHz Índice vertical: 48 a 120 Hz
Señal preajustada	Entrada: 12 formatos (consulte la página 23(ES))
Memoria de vídeo	1.152 × 1.152 × 24 bits (total RVB)
Índice de muestreo	12,5 a 40 MHz máx. ajuste de fase (equivalente a muestreo de 80 MHz)
Sistema de paneles	Panel de visualización de plasma tipo AC
Resolución de visualización	852 puntos × 480 líneas
Densidad de píxel	1,08(horizontal) × 1,08(vertical) mm (1/16 × 1/16 pulgadas)
Tamaño de imagen	920 (horizontal) × 518 (vertical) mm (36 1/4 × 20 1/2 pulgadas)
Tamaño de panel	42 pulgadas (diagonal: 1.056 mm)

Entradas y salidas

RGB1

R (R-Y)/ G (Y)/B (B-Y) IN	Tipo BNC (×3) 0,714 Vp-p/no compuesta 75-ohmios (terminación automática) 1 Vp-p/compuesta 75 ohmios (terminación automática)
SYNC IN(HD/COMP, VD)	Tipo BNC (×2) H (o compuesta) SYNC, V SYNC, 1 a 5 Vp-p, alta impedancia
AUDIO IN (L, R)	Toma fonográfica (×2) 500 mVrms, alta impedancia
R (R-Y)/ G (Y)/B (B-Y) OUT	Tipo BNC (×3) Derivada
SYNC OUT (HD/COMP, VD)	Tipo BNC (×2) Derivada H (o compuesta) SYNC, V SYNC
AUDIO OUT (L, R)	Toma fonográfica (×2) Derivada

RGB2

RGB IN	D-sub de 15 pines Consulte “Asignación de pines” en la página 35(ES).
AUDIO IN (L, R)	Toma fonográfica (×2) 500 mVrms, alta impedancia

LINE (NTSC, PAL)

VIDEO IN	Tipo BNC (×1) Vídeo compuesta, 1 Vp-p ±2 dB sincronización negativa, 75 ohmios (terminación automática)
Y/C IN	Tipo mini DIN de 4 pines (×1) Y (luminancia): 1 Vp-p ±2 dB sincronización negativa, 75 ohmios (terminación automática) C (crominancia): Señal subportadora de crominancia 0,286 Vp-p ±2 dB (NTSC), 75 ohmios (terminación automática) Señal subportadora de crominancia 0,3 Vp-p ±2 dB (PAL) 75 ohmios (terminación automática)
AUDIO IN (L, R)	Toma fonográfica (×2) 500 mVrms, alta impedancia
VIDEO OUT	Tipo BNC (×1) Derivada
Y/C OUT	Tipo mini DIN de 4 pines (×1) Derivada
AUDIO OUT (L, R)	(Salida variable) Toma fonográfica (×2) Derivada
MONITOR OUT AUDIO (L, R)	Toma fonográfica (×2) Máximo 500 mVrms, alta impedancia
CONTROL S (IN, OUT)	Minitoma (estéreo) (×2) 5 Vp-p
SPEAKERS	6 a 16 ohmios, 7 W + 7 W (cuando la impedancia es de 8 ohmios)

General

Requisitos de alimentación

100 a 120 V CA, 50/60 Hz,
3,9 A/380 W
220 a 240 V CA, 50/60 Hz,
2,0 A/360 W

Condiciones de funcionamiento

Temperatura: 0°C a 35°C (32°F a 95°F)
Humedad: 20% a 90% (sin condensación)
Presión atmosférica: 700 a 1060 hPa

Condiciones de almacenamiento/transporte

Temperatura: -10°C a +40°C (14°F a 104°F)
Humedad: 20% a 90% (sin condensación)
Presión atmosférica: 700 a 1060 hPa

Dimensiones

1036 × 636 × 152 mm
(40 7/8 × 25 1/8 × 6 1/8 pulgadas)
(an/al/prf)

Masa

47 kg (103 lb 10 oz)

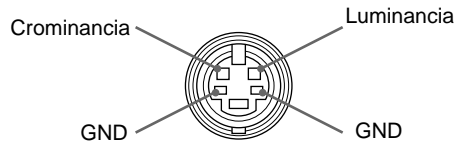
Accesorios suministrados

Cable de alimentación de CA (1)
Portaenchufe de CA (1)
Mando a distancia RM-921 (1)
Pilas de tamaño AA (R6) (2)
Núcleo de ferrita (2)
Soporte de apoyo de los pies (2)
Tornillos para el soporte de apoyo de los pies (6)
Estabilizador del monitor (2)
Manual de instrucciones (1)

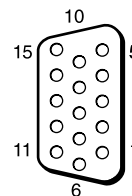
Diseño y especificaciones sujetos a cambios sin previo aviso.

Asignación de pines

Toma Y/C (mini DIN de 4 pines)



Conector RGB IN (D-sub de 15-pines)



Pin nº	Señal
1	R-Y o vídeo roja
2	Y o vídeo verde
3	B-Y o vídeo azul
4	Masa
5	Masa
6	Masa roja
7	Masa verde
8	Masa azul
9	Sin uso
10	Masa
11	Masa
12	SDA
13	Sincronización H o compuesta
14	Sincronización V
15	SCL

AVVERTENZA

Par evitare rischi di incendio o di scosse elettriche, non esporre l'apparecchio alla pioggia o all'umidità.

Voltaggi molto alti sono presenti all'interno dell'apparecchio. Non aprire il contenitore. Rivolgersi solo a personale qualificato.

Per gli acquirenti in Europa

Questo è un apparecchio di classe A e come tale, in un ambiente domestico, può causare interferenze radio. È necessario quindi che l'utilizzatore adotti gli accorgimenti adeguati.

Per gli utenti di PFM-500A1E

QUESTO APPARECCHIO DEVE ESSERE COLLEGATO A MASSA

IMPORTANTE

I fili di questo cavo di alimentazione sono colorati in base al seguente codice:

Verde-e-giallo : Terra
Blu : Neutro
Marrone : Sotto tensione

Poiché i colori dei fili nel cavo di alimentazione di questo apparecchio potrebbero non corrispondere ai colori che identificano i terminali della spina utilizzata, procedere come segue.

Il filo verde-e-giallo deve essere collegato al terminale della presa contrassegnato dalla lettera E o dal simbolo di messa a terra \perp o dal colore verde o verde-e-giallo.

Il filo blu deve essere collegato al terminale contrassegnato dalla lettera N o dal colore nero.

Il filo marrone deve essere collegato al terminale contrassegnato dalla lettera L o dal colore rosso.

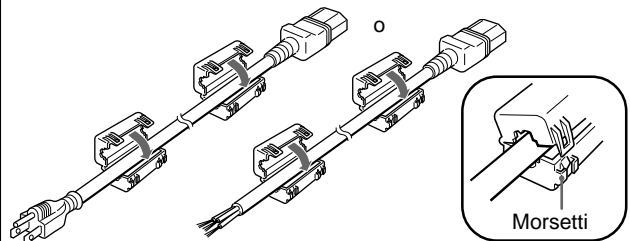
La presa di corrente deve essere situata vicino all'apparecchio e deve essere facilmente accessibile.

Nota

Quando si collega il monitor ad un computer, installare i nuclei di ferrite in dotazione. In caso contrario il monitor non sarà conforme agli standard obbligatori FCC/IC/CE (EN55022).

Installazione dei nuclei di ferrite

Sistemare i nuclei di ferrite su entrambe le estremità del cavo di alimentazione CA. Chiudere saldamente il coperchio fino a far scattare i morsetti.



Precauzioni	4 (I)
Caratteristiche	5 (I)
Posizione e funzione delle parti e dei comandi	6 (I)
Parte anteriore / Parti laterali	6 (I)
Pannello di controllo	8 (I)
Pannello dei connettori destro	9 (I)
Pannello dei connettori sinistro	11 (I)
Telecomando RM-921	12 (I)
Installazione	14 (I)
Uso dei piedi estraibili	14 (I)
Precauzioni	15 (I)
Collegamenti	16 (I)
Collegamento del cavo di alimentazione CA	16 (I)
Esempio di collegamento	17 (I)
Uso dei menu a schermo	18 (I)
Funzionamento mediante i menu	18 (I)
Guida dei menu	18 (I)
Riproduzione delle immagini	22 (I)
Commutazione delle immagini	22 (I)
Riproduzione del fermo immagine	22 (I)
Visualizzazione delle informazioni relative allo stato del monitor e al segnale di ingresso	22 (I)
Regolazione dell'immagine	24 (I)
Regolazione di contrasto, luminosità, colore e fase	24 (I)
Esaltazione del contrasto dell'immagine (funzione AGC immagine)	24 (I)
Ripristino delle impostazioni originali delle voci del menu CTRL IMMAG	25 (I)
Zoomata, regolazione delle dimensioni e della posizione dell'immagine	26 (I)
Regolazione delle dimensioni dell'immagine	26 (I)
Regolazione della posizione dell'immagine	26 (I)
Zoomata dell'immagine	27 (I)
Ripristino delle dimensioni e della posizione originali dell'immagine	27 (I)
Uso della memoria	28 (I)
Memorizzazione delle condizioni correnti	28 (I)
Richiamo delle condizioni memorizzate	28 (I)
Spegnimento automatico quando non vi è alcun segnale di ingresso (funzione di risparmio energetico)	30 (I)
Selezione della lingua per la visualizzazione a schermo	31 (I)
Funzione di autodiagnostica	31 (I)
Funzionamento di un monitor specifico con il telecomando	32 (I)
Uso di altri telecomandi	33 (I)
Caratteristiche tecniche	34 (I)

Precauzioni

Sicurezza

- Far funzionare questo apparecchio con un'alimentazione da 100 a 120 V CA o da 220 a 240 V CA.
- La targhetta indicante la tensione operativa, il consumo energetico, ecc., è situata sul lato posteriore.
- Nel caso in cui oggetti solidi o liquidi dovessero cadere all'interno dell'apparecchio, scollegarlo e farlo controllare da personale qualificato prima di riutilizzarlo.
- Scollegare l'apparecchio dalla presa a muro se non viene utilizzato per alcuni giorni o per periodi più lunghi.
- Per scollegare il cavo di alimentazione, afferrare la spina e non tirare mai il cavo stesso.
- Quando l'apparecchio è installato sul pavimento, utilizzare i piedi estraibili.

Installazione

- Per evitare il surriscaldamento interno, consentire una sufficiente circolazione d'aria. Non collocare l'apparecchio sopra tessuti, coperte, ecc. o vicino a materiali, quali tende o tendaggi, che potrebbero ostruire le prese di ventilazione.
- Non installare l'apparecchio vicino a fonti di calore, quali radiatori o condotti d'aria oppure in luoghi soggetti alla luce diretta del sole, a polvere eccessiva, a vibrazioni meccaniche o urti.
- Quando si installa un'apparecchiatura multipla insieme a questo apparecchio, potrebbero verificarsi problemi di funzionamento del telecomando, disturbi dell'immagine e disturbi sonori, derivanti dalla posizione dell'apparecchio e dell'altra apparecchiatura.

PDP (Plasma Display Panel)

- Sul PDP potrebbero apparire dei puntini neri e/o dei punti luminosi che sono del tutto normali.
- Non visualizzare lo stesso fermo immagine sullo schermo per un lungo periodo continuato. Altrimenti l'immagine persistente potrebbe apparire su una parte del pannello, in quanto la luminosità dell'immagine diventa elevata a causa della visualizzazione continua. Usare eventualmente il salva schermo per equalizzare la visualizzazione sullo schermo.

Pulizia

Per mantenere l'apparecchio come nuovo, pulirlo periodicamente con una soluzione detergente delicata. Non usare mai solventi forti quali diluenti o benzina oppure spugnette abrasive, onde evitare danni al rivestimento. Per motivi di sicurezza scollegare l'apparecchio prima della pulizia.

Reimballaggio

Non gettare i cartoni e il materiale d'imballaggio originali, in quanto costituiscono il contenitore ideale per trasportare l'apparecchio. Se si deve trasportare l'apparecchio, imballarlo nel modo illustrato sul cartone.

Per qualsiasi problema riguardante l'apparecchio, rivolgersi al rivenditore autorizzato Sony locale.

Caratteristiche

Il monitor PFM-500A1WE è un monitor con pannello piatto formato 16:9 a 42 pollici, che adotta il PDP (Plasma Display Panel) e accetta vari tipi di segnale con il convertitore di scansione incorporato.

Convertitore di scansione

L'apparecchio è in grado di convertire i vari segnali, quali il segnale RGB, componente, composito o Y/C (luminanza/crominanza), nel formato 480 linee. L'apparecchio può convertire un segnale di ingresso a bassa velocità in un segnale ad alta velocità ed effettuare regolazioni flessibili delle immagini, quali la zoomata ed il fermo immagine.

Comando ID

È possibile far funzionare un monitor specifico fra diversi monitor usando le funzioni di indice.

Menu a schermo

È possibile regolare le impostazioni usando i menu a schermo.

Control S

Il segnale Control S permette di controllare a distanza diversi monitor e un videoregistratore attraverso un singolo monitor.

Altre caratteristiche

- Filtro a pettine tridimensionale per la separazione del segnale Y/C NTSC.
- Filtro a pettine con correlazione della linea per la separazione del segnale Y/C PAL.
- Zoomata fino a 4x.
- Accetta telecomandi Sony a raggi infrarossi o con fili utilizzando il codice SIRCS.
- Tre ingressi video con relativi ingressi audio: un ingresso video composito o Y/C, un ingresso RGB ed un ingresso RGB/componente.
- Visualizzazione del segnale HDTV con segnale sincronico a tre livelli.
- Funzione di memoria per memorizzare fino a cinque impostazioni di immagine.
- Rilevamento automatico del segnale di ingresso con indicazione.
- Windows95¹⁾ PnP (Plug and Play) compatibile.
- Visualizzazione a schermo in cinque lingue per un accesso semplice.
- Funzione di risparmio energetico.
- Funzione di autodiagnostica.
- Funzione AGC immagine — questa funzione regola e migliora automaticamente il contrasto quando viene immesso un segnale a bassa intensità.

Avvertenza sul collegamento dell'alimentazione

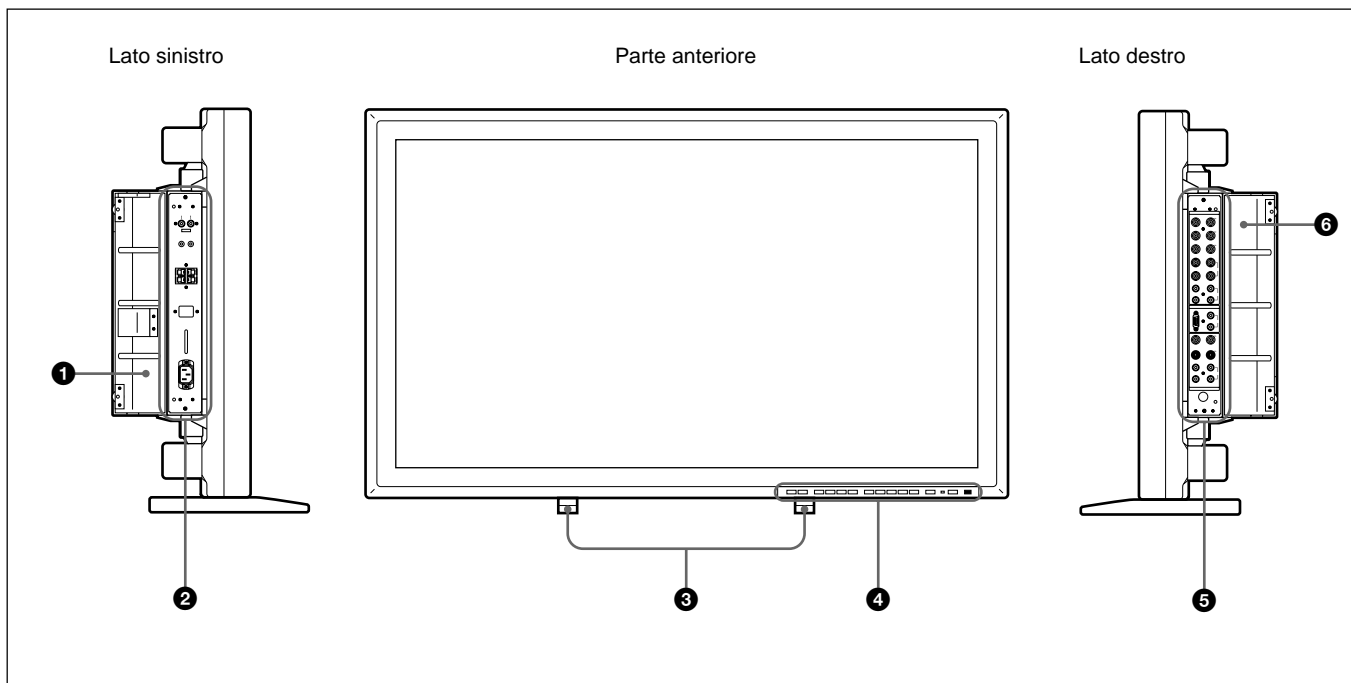
Utilizzare un cavo di alimentazione adeguato alla tensione operativa locale.

	Stati Uniti, Canada	Europa continentale	Regno Unito, Irlanda, Australia, Nuova Zelanda	Giappone
Tipo di spina	VM0033B	COX-07 636	—	VM1296
Estremità femmina	VM0113	COX-02 VM0310B	VM0310B	VM1313
Tipo di cavo	SJT	H05VV-F	CEE (13) 53rd (O.C)	HVCTF
Voltaggio minimo del cavo	13A/125V	10A/250V	10A/250V	10A/125V
Approvazione delle norme di sicurezza	UL/CSA	VDE	VDE	DENTORI

1) Windows95 è un marchio registrato di Microsoft Corporation.

Posizione e funzione delle parti e dei comandi

Parte anteriore / Parti laterali



❶ Coperchio del pannello sinistro

Aprire il coperchio quando si usa il pannello dei connettori sinistro.

È possibile installare il telecomando nella parte posteriore del coperchio.

Per maggiori informazioni sull'apertura del coperchio, vedere qui a destra.

❷ Pannello dei connettori sinistro

Per maggiori informazioni sul pannello dei connettori sinistro, vedere la sezione "Pannello dei connettori sinistro" a pagina 11 (I).

❸ Piedi estraibili

Da usare per sistemare il monitor sul pavimento.

Per maggiori informazioni sull'uso dei piedi estraibili, vedere la sezione "Uso dei piedi estraibili" a pagina 14 (I).

❹ Pannello di controllo

Per maggiori informazioni sul pannello di controllo vedere la sezione "Pannello di controllo" a pagina 8 (I).

❺ Pannello dei connettori destro

Per maggiori informazioni sul pannello dei connettori destro, vedere la sezione "Pannello dei connettori destro" a pagina 9 (I).

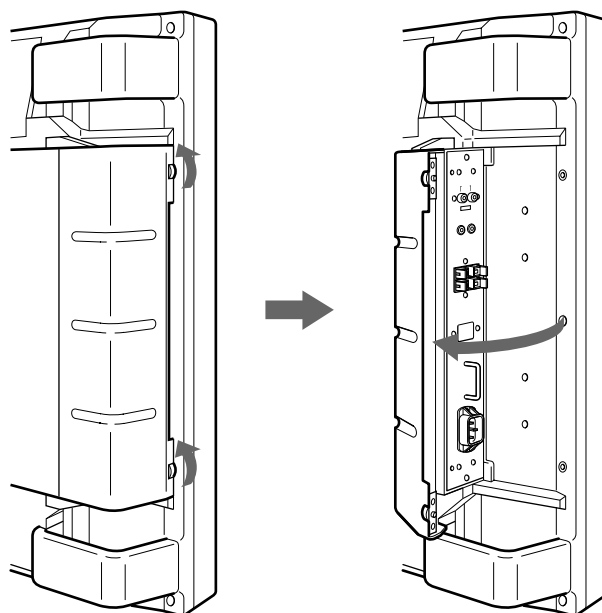
❻ Coperchio del pannello destro

Aprire il coperchio quando si usa il pannello dei connettori destro.

Per maggiori informazioni sull'apertura del coperchio, vedere qui a destra.

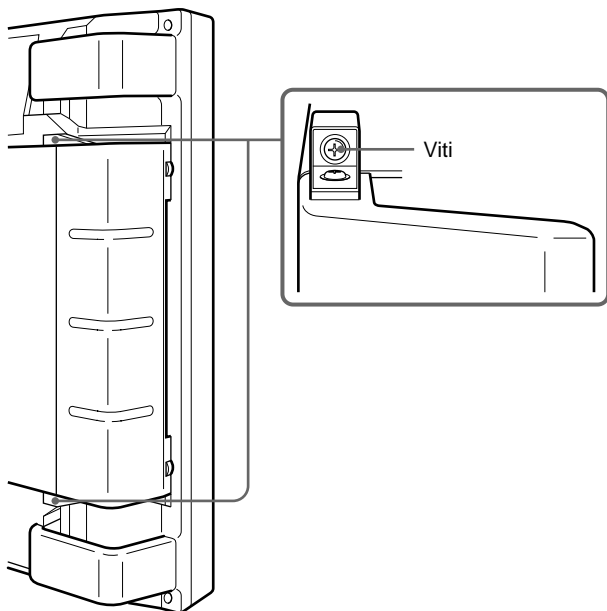
Per aprire il coperchio del pannello

Allentare le viti in senso antiorario e aprire il coperchio.



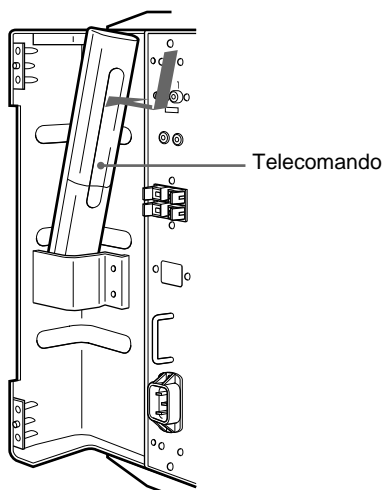
Per rimuovere il coperchio del pannello

Allentare le viti come illustrato qui sotto e rimuovere il coperchio del pannello.



Per installare il telecomando nel coperchio del pannello

Installare il telecomando nel retro del coperchio del pannello sinistro come illustrato qui sotto.

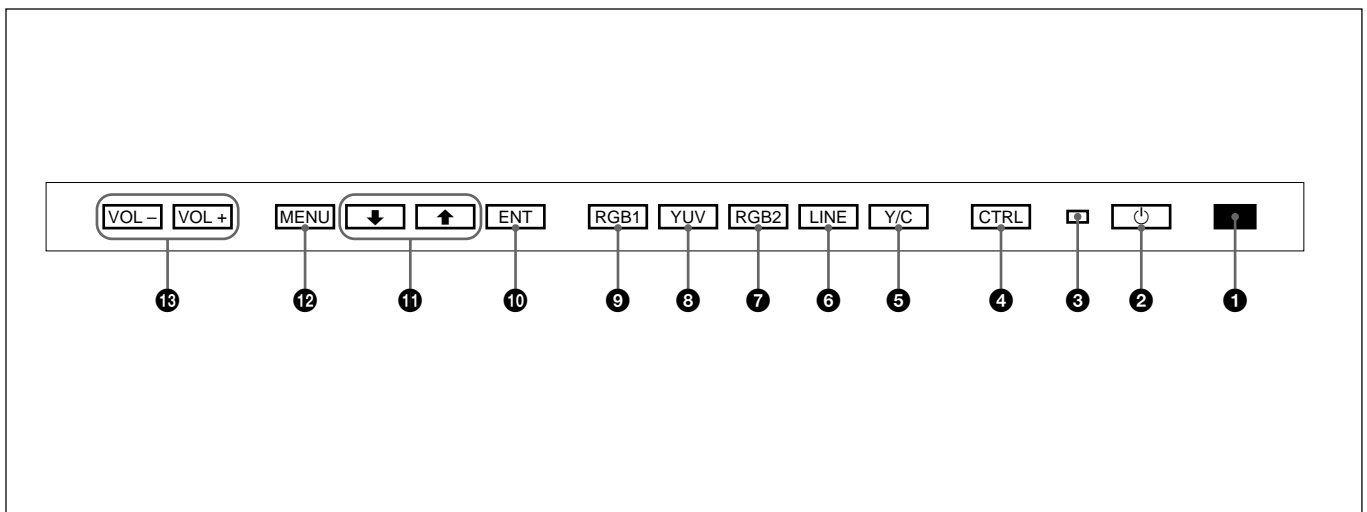


Nota

Quando si alloggia il telecomando, accertarsi che la parte superiore del telecomando sia rivolta verso l'alto e il retro sia rivolto verso l'esterno.

Posizione e funzione delle parti e dei comandi

Pannello di controllo

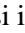


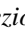
❶ Sensore del comando a distanza

Riceve i raggi infrarossi dal telecomando.

❷ Interruttore (attesa)/Indicatore (attesa)

Premere per accendere il monitor. Premere di nuovo per tornare al modo di attesa.

Nel modo di attesa l'indicatore  (attesa) si illumina in rosso.

Quando l'indicatore  lampeggia, vedere la sezione "Funzione di autodiagnostica" a pagina 31 (I).

❸ Indicatore di accensione

Si illumina quando viene acceso il monitor.


Lampeggia nel modo di risparmio energetico.

Per maggiori informazioni sul modo di risparmio energetico, vedere la sezione "Spegnimento automatico quando non vi è alcun segnale di ingresso (funzione di risparmio energetico)" a pagina 30 (I).

❹ Tasto CTRL (comando)

Per utilizzare i tasti sul pannello di controllo, premere prima questo tasto. I tasti quindi si illumineranno o lampeggeranno ad indicare che possono venire utilizzati. Per disattivarli premere di nuovo.

Nota

I tasti (eccetto l'interruttore  (attesa) ❷) sul pannello di controllo non funzionano se non viene prima premuto il tasto CTRL.

❺ Tasto Y/C

Per selezionare l'ingresso del segnale dalla presa Y/C IN nei connettori LINE.

❻ Tasto LINE

Per selezionare l'ingresso del segnale dal connettore VIDEO IN nei connettori LINE.

❼ Tasto RGB2

Per selezionare l'ingresso del segnale dai connettori RGB2.

❽ Tasto YUV

Per selezionare l'ingresso del segnale componente dai connettori RGB1.

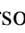
❾ Tasto RGB1

Per selezionare l'ingresso del segnale RGB dai connettori RGB1.

❿ Tasto ENT (invio)

Premere per selezionare la voce desiderata in un menu.

⓫ Tasti /

Premere per spostare il cursore () su una voce o per regolare i valori in un menu.

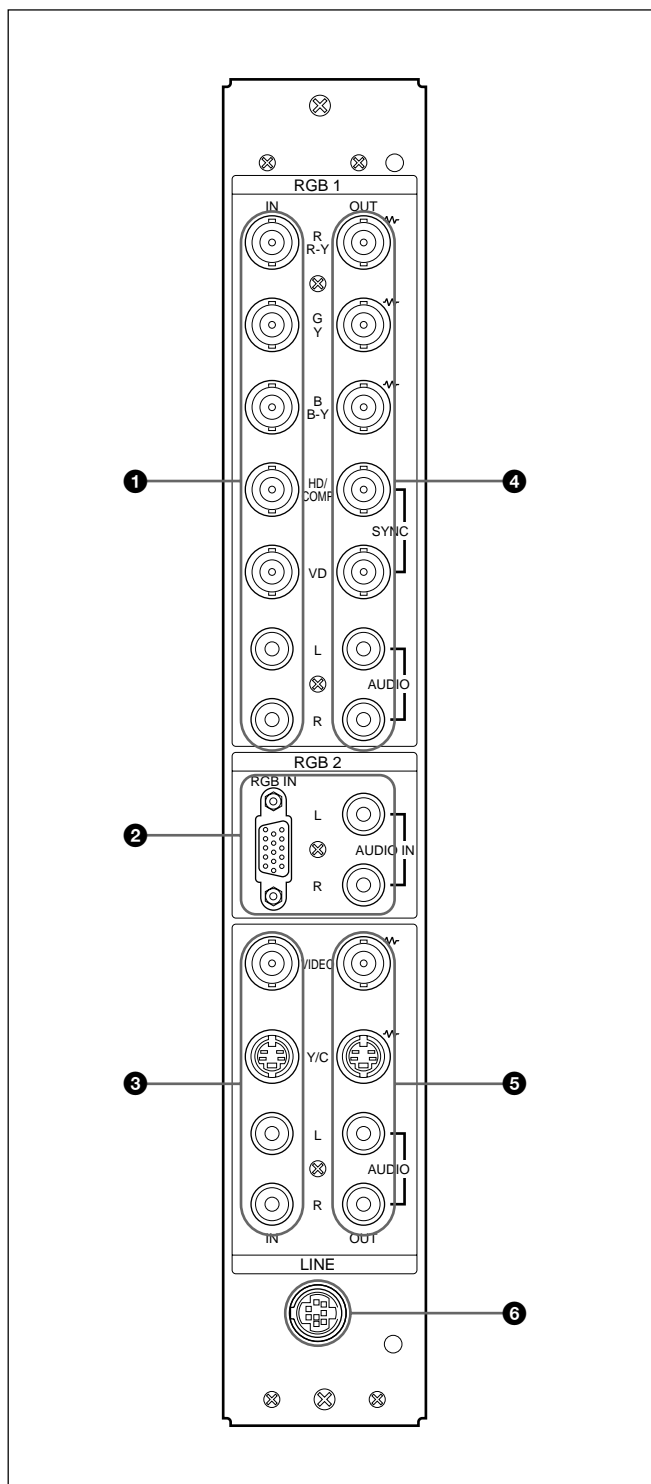
⓬ Tasto MENU

Premere per fare apparire il menu.

⓭ Tasti VOL (volume) +/-

Premere il tasto + per aumentare il volume o il tasto - per abbassarlo.

Pannello dei connettori destro



1 Connettori RGB1 IN

R (R-Y)/G (Y)/B (B-Y) IN (tipo BNC): immettono il segnale RGB analogico o il segnale componente. Collegare all'uscita del segnale RGB o del segnale componente (Y/B-Y/R-Y) di un computer o di un'apparecchiatura video.

Questo apparecchio accetta anche il segnale componente analogico HD (Y/PB/PR). Immettere il segnale PB sul connettore B (B-Y) IN e il segnale PR sul connettore R (R-Y) IN.

HD/COMP IN (tipo BNC): immette il segnale sincronico H (orizzontale) o il segnale sincronico composito. Collegare all'uscita del segnale sincronico H o del segnale sincronico composito di un computer o di un'apparecchiatura video.

VD IN (tipo BNC): immette il segnale sincronico V (verticale). Collegare all'uscita del segnale sincronico V di un computer o di un'apparecchiatura video.

Il segnale sincronico esterno viene selezionato automaticamente. Vedere la tabella delle priorità riportata qui sotto.

Ingresso connettore	Ingresso segnali sincronici		
HD/COMP IN	Sincronismo H	Sinc composito	—
VD IN	Sincronismo V	—	—
G(Y) IN	Sinc sul verde	Sinc sul verde	Sinc sul verde
Segnali sincronici da selezionare	Sincronismo H Sincronismo V	Sinc composito	Sinc sul verde

AUDIO IN (L/R) (tipo fono): immettono il segnale audio. Collegare all'uscita audio di un computer o di un'apparecchiatura video. Collegare al canale L quando il segnale audio è monofonico.

2 Connettori RGB2 IN

RGB IN (D-sub a 15 piedini): collegare all'uscita del segnale RGB di un computer.

AUDIO IN (L/R) (tipo fono): immettono il segnale audio. Collegare all'uscita audio di un computer. Collegare al canale L quando il segnale audio è monofonico.

(Continua)

Posizione e funzione delle parti e dei comandi

③ Connettori LINE IN

VIDEO IN (tipo BNC): collegare all'uscita del segnale video composito dell'apparecchiatura video.

Y/C IN (mini DIN a 4 piedini): collegare all'uscita del segnale Y/C dell'apparecchiatura video.

AUDIO IN (L/R) (tipo fono): collegare all'uscita audio dell'apparecchiatura video. Collegare al canale L quando il segnale audio è monofonico.

④ Connettori RGB1 OUT

Questi connettori vengono utilizzati come uscite a circuito aperto dei connettori RGB1 IN ①.

Quando la spina viene collegata ai connettori RGB OUT, la terminazione a 75 ohm dei connettori RGB IN viene rilasciata e l'ingresso del segnale ai connettori RGB IN viene trasmesso da questi connettori.

R (R-Y)/G (Y)/B (B-Y) OUT (tipo BNC): uscite a circuito aperto dei connettori RGB IN. Collegare all'ingresso del segnale RGB o del segnale componente (Y/B-Y/R-Y) di un altro monitor.

HD/COMP OUT (tipo BNC): uscita a circuito aperto del connettore HD/COMP IN. Collegare all'ingresso del segnale sincronico H o del segnale sincronico composito di un altro monitor.

VD OUT (tipo BNC): uscita a circuito aperto del connettore VD IN. Collegare all'ingresso del segnale sincronico V di un altro monitor.

Nota

I connettori HD/COMP OUT e VD OUT sono uscite ad alta impedenza.

Quando si usano queste uscite, collegare un monitor con un connettore di ingresso sincronizzato ad alta impedenza, altrimenti l'immagine potrebbe oscillare o scomparire in quanto il livello del segnale sincronico non corrisponde.

AUDIO OUT (L/R) (tipo fono): uscite a circuito aperto delle prese AUDIO IN. Collegare agli ingressi audio di un altro monitor.

⑤ Connettori LINE OUT

Questi connettori vengono utilizzati come uscite a circuito aperto dei connettori LINE IN ③.

Quando la spina viene collegata al connettore VIDEO OUT o alla presa Y/C OUT, la terminazione a 75 ohm del connettore VIDEO IN o della presa Y/C IN viene rilasciata e l'ingresso del segnale alla presa VIDEO IN o Y/C IN viene trasmesso dal connettore VIDEO OUT o dalla presa Y/C OUT.

VIDEO OUT (tipo BNC): collegare all'ingresso del segnale video composito di un altro monitor o di un'altra apparecchiatura video.

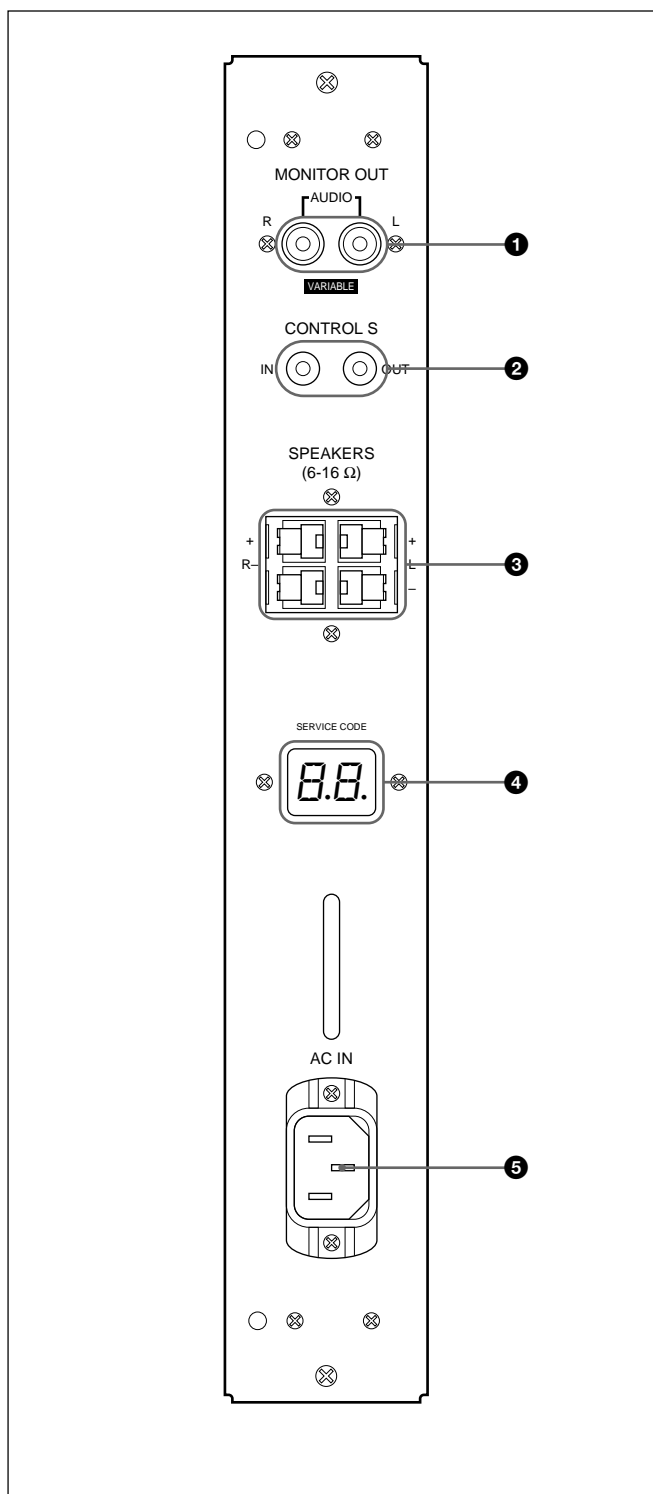
Y/C OUT (mini DIN a 4 piedini): collegare all'ingresso del segnale Y/C di un altro monitor o di un'altra apparecchiatura video.

AUDIO OUT (L/R) (tipo fono): uscite a circuito aperto delle prese AUDIO IN. Collegare agli ingressi audio di un altro monitor o di un'altra apparecchiatura video.

⑥ Connettore di servizio (mini DIN a 8 piedini)

Questo connettore è riservato a personale qualificato.

Pannello dei connettori sinistro



1 Prese MONITOR OUT AUDIO (L/R) (tipo fono)

Trasmettono l'ingresso del segnale dalle prese AUDIO IN. Collegare agli ingressi audio di un amplificatore audio (non in dotazione).

Nota

Queste prese sono uscite variabili. Alzare il volume al massimo per impostare il livello di uscita su 500 mVrms.

2 Prese CONTROL S IN/OUT (mini prese)

Collegare alle prese CONTROL S dell'apparecchiatura video o di altri monitor. Sarà così possibile controllare contemporaneamente tutte le apparecchiature con un solo telecomando.

Per controllare l'apparecchiatura puntando il telecomando in dotazione verso il sensore del comando a distanza del monitor, collegare la presa CONTROL S OUT del monitor e la presa CONTROL S IN dell'altra apparecchiatura.

Note

- Se si collega la presa CONTROL S IN alla presa CONTROL S OUT dell'altra apparecchiatura, non sarà possibile far funzionare il monitor con il telecomando.
- È possibile utilizzare il cavo stereo con una minispina invece del cavo control S.

3 Terminali SPEAKERS L/R

Collegare a diffusori con impedenza da 6 a 16 ohm.

Nota

Non collegare contemporaneamente il cavo del diffusore al monitor e ad un amplificatore, in quanto il monitor potrebbe venire danneggiato da un flusso eccessivo di corrente proveniente dall'amplificatore.

4 Indicatore SERVICE CODE

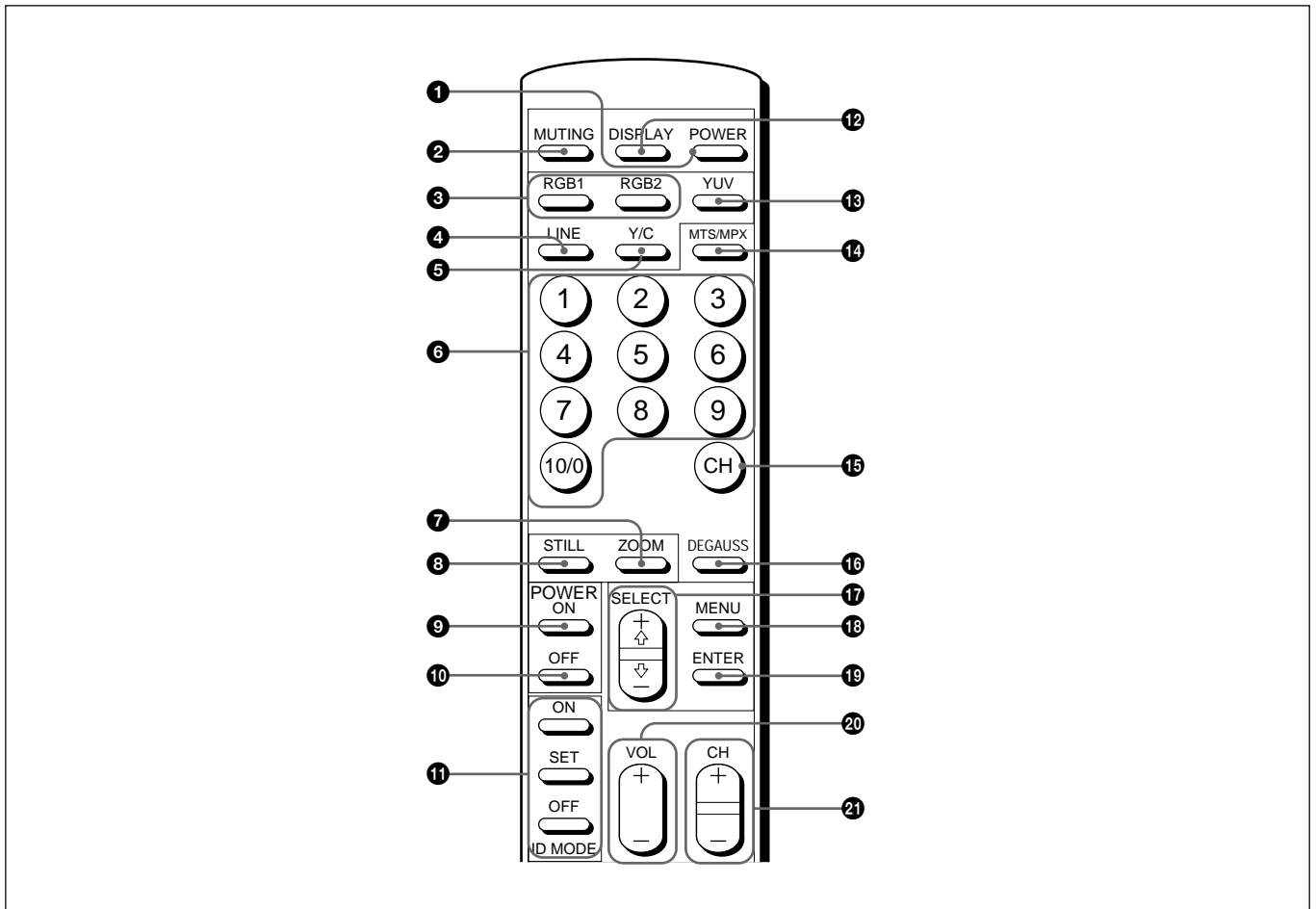
Questo indicatore è riservato a personale qualificato.

5 Presa ~ AC IN

Collegare il cavo di alimentazione CA in dotazione a questa presa e ad una presa a muro. Una volta collegato il cavo di alimentazione CA, il monitor entra nel modo di attesa.

Posizione e funzione delle parti e dei comandi

Telecomando RM-921



❶ Interruttore POWER

Premere per accendere il monitor. Premere di nuovo per tornare al modo di attesa.

Nota

Quando si usano più monitor, premere questo interruttore per fare entrare nel modo di attesa i monitor che sono già accesi oppure per accendere i monitor che sono nel modo di attesa.

❷ Tasto MUTING

Premere per disattivare l'audio. Premere di nuovo questo tasto o premere il tasto VOL (volume) +/- per riattivare l'audio.

❸ Tasti RGB1/RGB2

Per selezionare l'ingresso del segnale dai connettori RGB1 o RGB2.

❹ Tasto LINE

Per selezionare l'ingresso del segnale dal connettore VIDEO IN nei connettori LINE.

❺ Tasto Y/C

Per selezionare l'ingresso del segnale dalla presa Y/C IN nei connettori LINE.

❻ Tasti numerici

Premere per selezionare il numero indice.

❼ Tasto ZOOM

Per regolare la zoomata. Quando si preme il tasto ZOOM l'immagine viene ingrandita rispettivamente di due, tre e quattro volte.

❽ Tasto STILL

Per fermare l'immagine sullo schermo del monitor. Premere di nuovo per ripristinare lo schermo normale.

9 Interruttore POWER ON

Premere per accendere il monitor. Quando si usano più monitor, è possibile usare questo interruttore invece dell'interruttore POWER 1 per non agire sui monitor già accesi.

10 Interruttore POWER OFF

Premere per fare entrare il monitor nel modo di attesa. Quando si usano più monitor, è possibile usare questo interruttore invece dell'interruttore POWER 1 per non agire sui monitor che sono nel modo di attesa.

11 Tasti ID MODE (ON/SET/OFF)

Premere il tasto ON per fare apparire un numero indice sullo schermo. Quindi premere il numero indice del monitor che si desidera far funzionare e premere il tasto SET. Terminata l'operazione premere il tasto OFF per tornare al modo normale.

12 Tasto DISPLAY

Per visualizzare le informazioni relative al segnale di ingresso nella parte superiore dello schermo del monitor. Premere di nuovo per annullare le informazioni.

13 Tasto YUV

Per selezionare l'ingresso del segnale componente dai connettori RGB1.

14 Tasto MTS/MPX

Questo tasto non funziona con il monitor.

15 Tasto CH

Questo tasto non funziona con il monitor.

16 Tasto DEGAUSS

Questo tasto non funziona con il monitor.

17 Tasti SELECT +↑/−↓

Premere per spostare il cursore (▶) su una voce o per regolare i valori all'interno di un menu.

18 Tasto MENU

Premere per fare apparire il menu.

19 Tasto ENTER

Premere per selezionare la voce desiderata in un menu.

20 Tasti VOL +/-

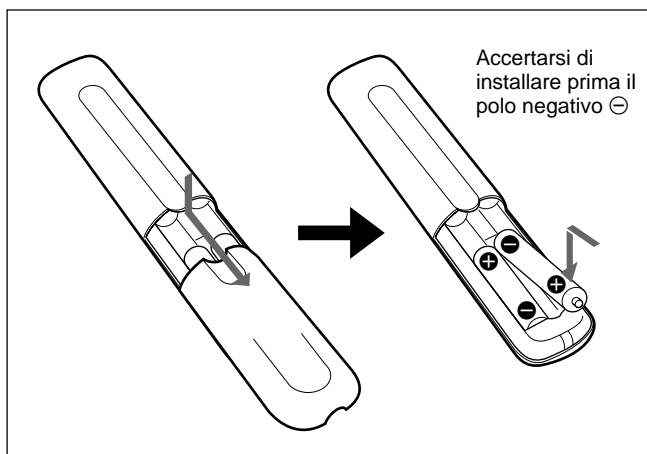
Premere il tasto + per aumentare il volume oppure il tasto − per diminuirlo.

21 Tasti CH +/-

Questi tasti non funzionano con il monitor.


Installazione delle batterie

Inserire due batterie R6 (formato AA) con la corretta polarità.



- Con un funzionamento normale le batterie durano fino a sei mesi. Se il telecomando non dovesse funzionare correttamente, le batterie potrebbero essere scariche. Sostituirle con batterie nuove.
- Per evitare danni derivanti da possibili perdite di elettrolita, rimuovere le batterie se non si intende usare il telecomando per un periodo abbastanza lungo.

Se il telecomando non funziona

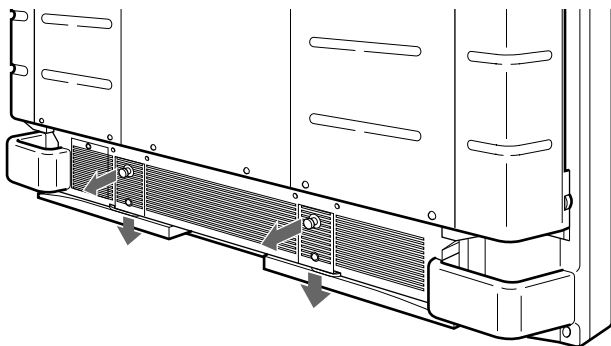
Verificare che l'indicatore  si illumini. Il telecomando fa funzionare il monitor solo quando quest'ultimo è acceso o è nel modo di attesa.

Nota

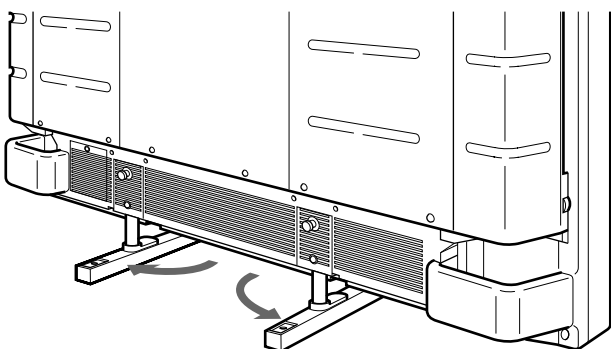
Se si collega il cavo alla presa CONTROL S IN sul lato del monitor, non sarà possibile far funzionare il monitor con il telecomando.

Uso dei piedi estraibili

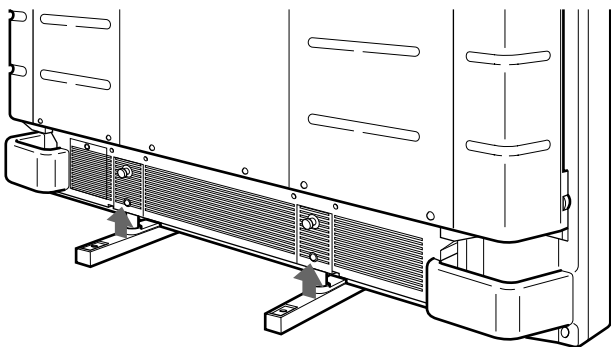
- 1** Tirare le manopole e tirare verso il basso i piedi estraibili.



- 2** Girare i piedi estraibili verso l'esterno.

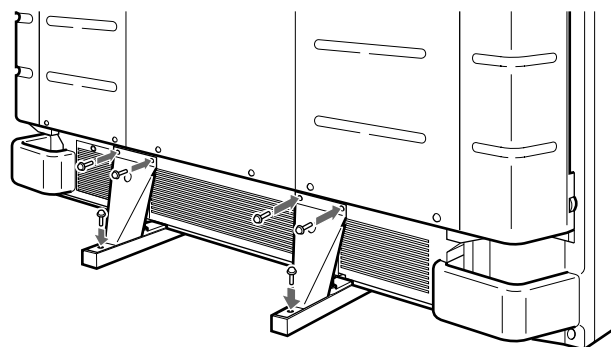


- 3** Spingere in dentro i piedi estraibili e bloccarli.



Per fissare i piedi estraibili

Quando l'apparecchio è installato sul pavimento, fissare i piedi estraibili.
Installare le staffe supporto piedi come illustrato sotto.

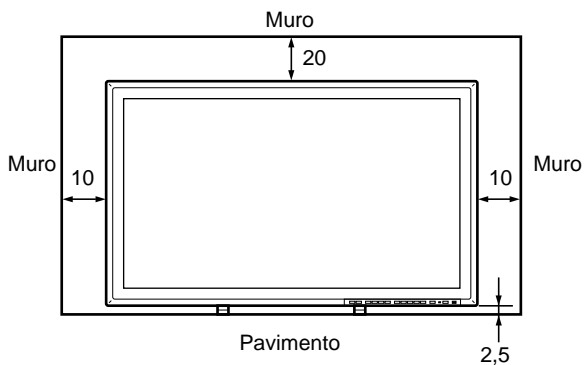


Precauzioni

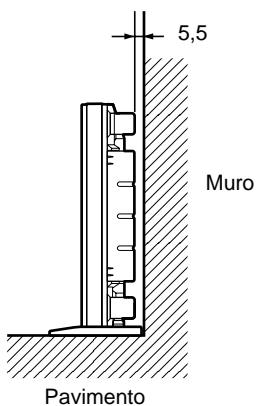
- Quando si installa il monitor, assicurarsi che vi sia più spazio di quello indicato nella figura in basso.
- La temperatura ambiente deve essere compresa tra 0°C – +35°C.

Quando si utilizza i piedi estraibili

Anteriore

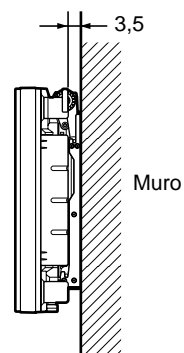


Laterale



Unità: cm

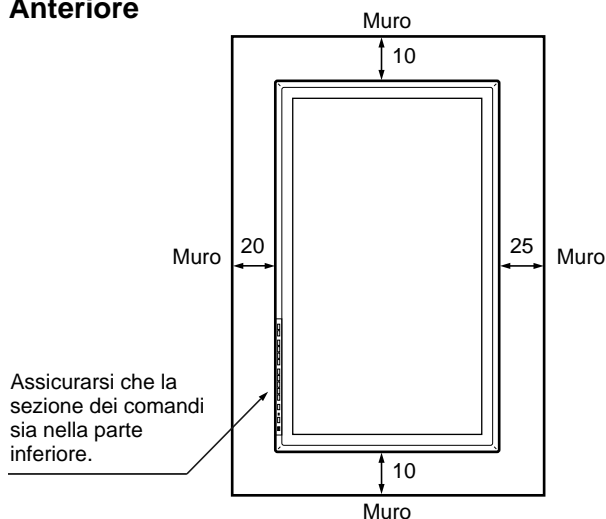
Laterale



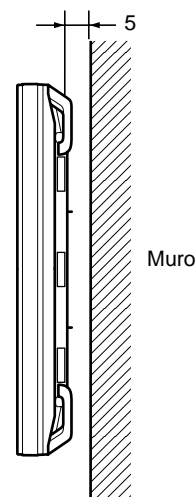
Unità: cm

Appeso al muro: in verticale

Anteriore



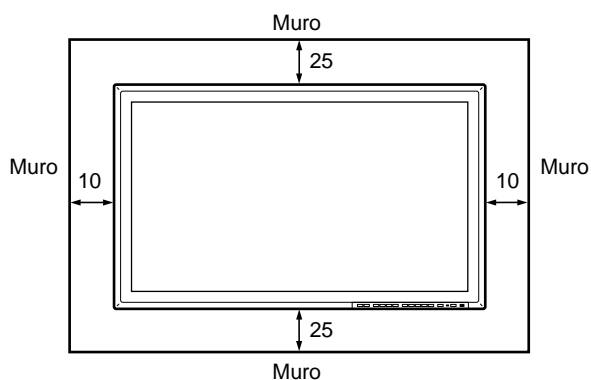
Laterale



Unità: cm

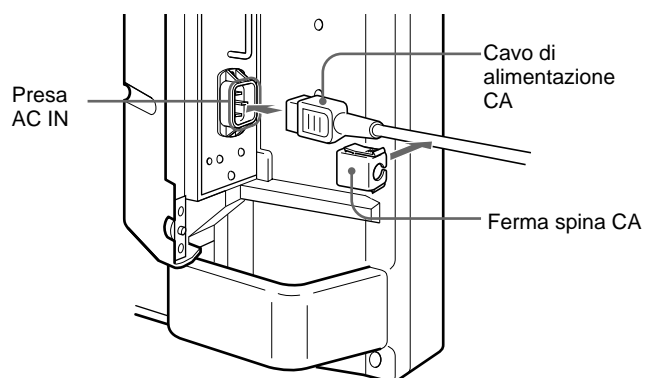
Quando si utilizza la staffa di montaggio

Anteriore

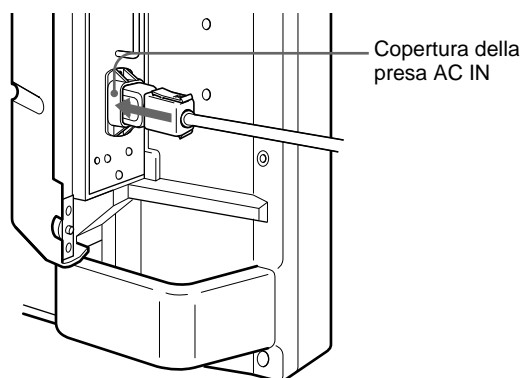


Collegamento del cavo di alimentazione CA

- 1** Inserire il cavo di alimentazione nella presa AC IN. Quindi installare il fermaspina CA (in dotazione) sul cavo di alimentazione CA.



- 2** Far scorrere il fermaspina CA sul cavo fino a raggiungere la copertura della presa AC IN.



Per rimuovere il cavo di alimentazione CA

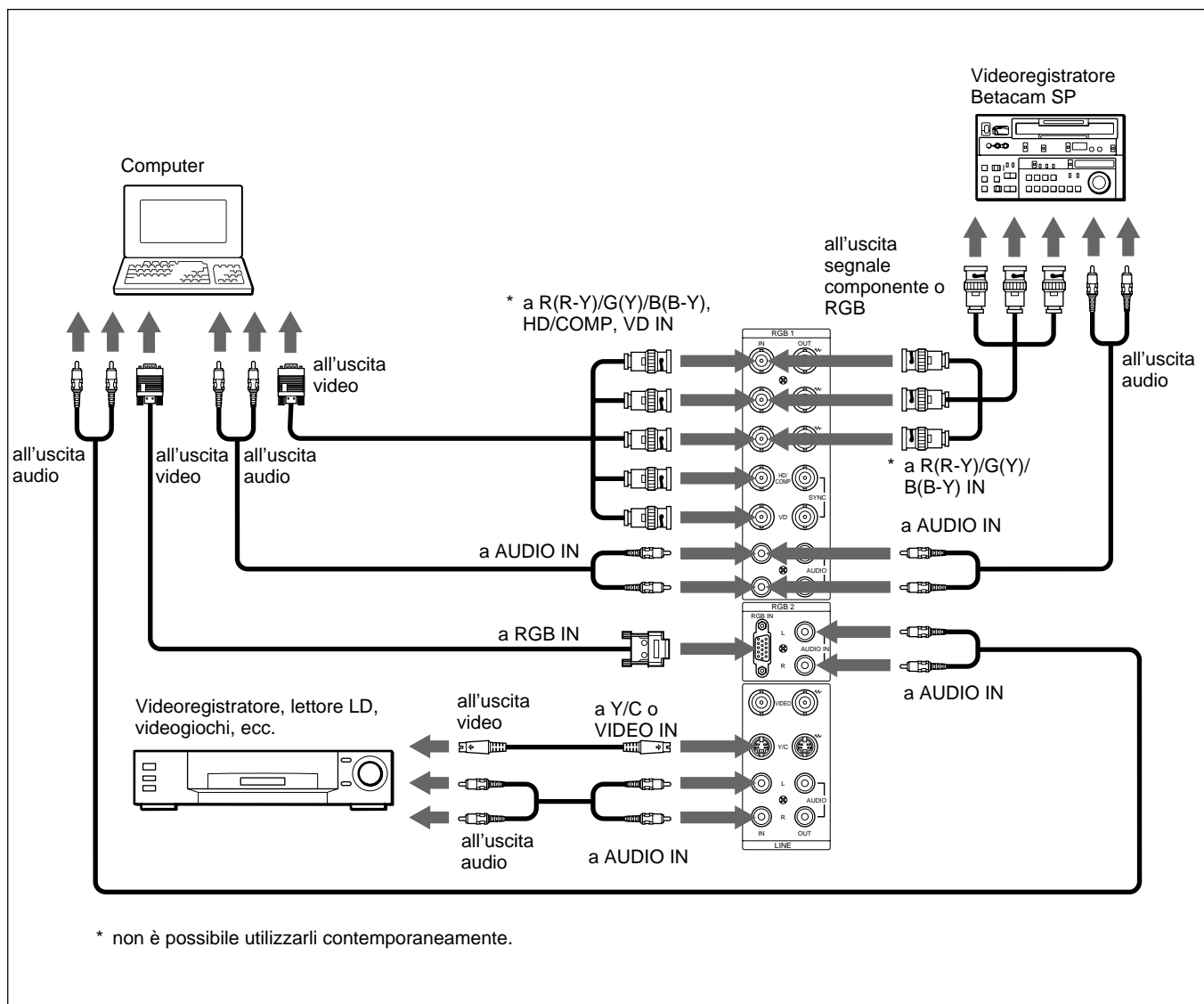
Premere il lato superiore e il lato inferiore ed estrarre il fermaspina CA.

Esempio di collegamento

Operazioni preliminari

- Accertarsi innanzitutto che l'alimentazione in ogni parte dell'apparecchiatura sia disattivata.
- Utilizzare cavi di collegamento adatti all'apparecchiatura da collegare.
- I connettori del cavo devono essere perfettamente inseriti nelle prese. Un collegamento non saldo potrebbe essere causa di ronzio o altri disturbi.

- Per scollegare il cavo, estrarlo afferrando la spina. Non tirare mai il cavo stesso.
- Leggere il manuale delle istruzioni dell'apparecchiatura da collegare.

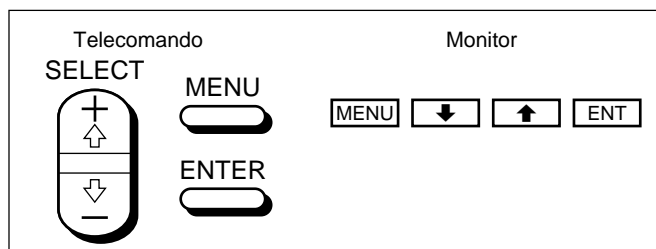


Uso dei menu a schermo

Funzionamento mediante i menu

Tasti di funzionamento dei menu

Per il funzionamento dei menu sono disponibili quattro tasti sul monitor e sul telecomando.



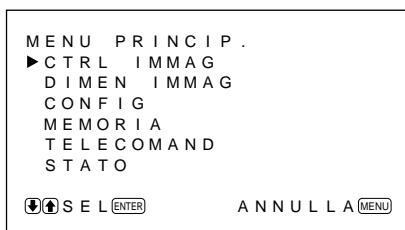
Per le spiegazioni in questo manuale vengono usati i tasti sul pannello di controllo.

Il tasto ENTER sul telecomando svolge la stessa funzione del tasto ENT sul pannello di controllo e i tasti SELECT + \uparrow / \downarrow sul telecomando svolgono la stessa funzione dei tasti \uparrow / \downarrow sul pannello di controllo.

Configurazione del menu

Per selezionare la lingua utilizzata nel menu, vedere a pagina 31 (I).

- 1 Premere MENU.
Sullo schermo del monitor appare il menu principale.



- 2 Premere \uparrow / \downarrow per spostare il cursore (\blacktriangleright) e premere ENT per selezionare un menu.
Sullo schermo del monitor appare il menu selezionato.
- 3 Premere \uparrow / \downarrow per spostare il cursore (\blacktriangleright) e premere ENT per selezionare una voce.
Sullo schermo del monitor appare il menu della voce selezionata.
- 4 Premere \uparrow / \downarrow per effettuare la regolazione o per selezionare l'impostazione e poi premere ENT.
L'impostazione viene registrata e si torna al menu precedente.

Per tornare alla videata normale, premere ripetutamente il tasto MENU fino a quando il menu non scompare.

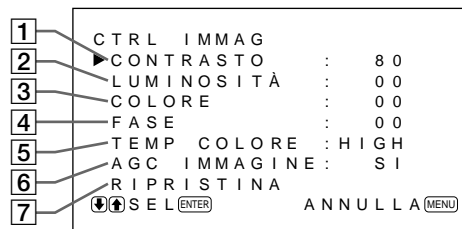
Guida dei menu

Nota

Quando una funzione non è disponibile, affianco alla voce relativa appare l'indicazione "---". La disponibilità dipende dai tipi di segnale di ingresso.

Menu CTRL IMMAG

Questo menu viene utilizzato per la regolazione dell'immagine.



1 CONTRASTO

Premere \uparrow per aumentare il contrasto e premere \downarrow per diminuirlo.

2 LUMINOSITÀ

Premere \uparrow per aumentare la luminosità dell'immagine e premere \downarrow per scurirla.

3 COLORE

Premere \uparrow per aumentare la saturazione del colore e premere \downarrow per diminuirlo.

4 FASE

Premere \uparrow per rendere l'intera immagine di colore verdastro e premere \downarrow per renderla di colore rossastro.

5 TEMP COLORE

Selezionare la temperatura del colore da HIGH (6500K) o LOW (circa 5500K).

6 AGC IMMAGINE

Selezionare SI per migliorare automaticamente il contrasto quando viene immesso un segnale a bassa intensità.

Per maggiori informazioni sulla funzione AGC immagine, vedere la sezione "Esaltazione del contrasto dell'immagine (funzione AGC immagine)" a pagina 24 (I).

7 RIPRISTINA

Selezionare per ripristinare le impostazioni di fabbrica nel menu CTRL IMMAG delle voci da **1** a **6**.

Per maggiori informazioni sull'uso della funzione di ripristino, vedere la sezione "Ripristino delle impostazioni originali delle voci del menu CTRL IMMAG" a pagina 25 (I).

Menu DIMEN IMMAG

Questo menu viene utilizzato per effettuare le zoomate, la regolazione delle dimensioni e della posizione dell'immagine.



8 DIMENSIONE O

Per regolare la dimensione orizzontale dell'immagine. Premere **↑** per ingrandire la dimensione orizzontale e premere **↓** per diminuirla.

9 SPOST ORIZZ.

Per regolare la centratura orizzontale. Premere **↑** per spostare l'immagine verso destra e premere **↓** per spostarla verso sinistra.

10 DIMENSIONE V

Per regolare la dimensione verticale dell'immagine. Premere **↑** per ingrandire la dimensione verticale e premere **↓** per diminuirla.

11 SPOST VERT

Per regolare la centratura verticale. Premere **↑** per spostare l'immagine verso l'alto e premere **↓** per spostarla verso il basso.

12 ZOOM

Per zoomare l'immagine di due, tre e quattro volte le sue dimensioni.

13 ASPETTO

Impostare il rapporto di formato dell'immagine su 4:3 o 16:9.

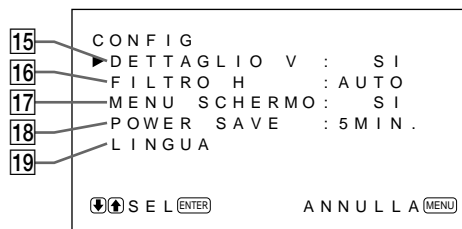
14 RIPRISTINA

Selezionare per ripristinare le impostazioni di fabbrica nel menu DIMEN IMMAG delle voci da **8** a **13**.

Per maggiori informazioni sull'uso della funzione di ripristino, vedere la sezione "Ripristino delle dimensioni e della posizione originali dell'immagine" a pagina 27 (I).

Menu CONFIG

Questo menu viene utilizzato per la regolazione del segnale o per la selezione della lingua.



15 DETTAGLIO V

Normalmente selezionare SI.

Selezionare SI per rendere più nitido il bordo verticale.

16 FILTRO H

Normalmente selezionare AUTO.

Selezionare HIGH quando sullo schermo l'immagine appare sdoppiata.

Selezionare LOW quando lo schermo appare disturbato da un effetto moiré o da altri disturbi. Tali disturbi diminuiranno, tuttavia l'immagine sullo schermo apparirà leggermente sfocata.

17 MENU SCHERMO

Selezionare SI per visualizzare le informazioni relative al segnale di ingresso per circa cinque secondi, nella parte superiore dello schermo del monitor, quando viene attivata l'alimentazione o commutato il segnale di ingresso.

18 POWER SAVE

Impostare il periodo di tempo per attivare il modo di risparmio energetico.

Per maggiori informazioni sulla funzione di risparmio energetico, vedere la sezione "Spegnimento automatico quando non vi è alcun segnale di ingresso (funzione di risparmio energetico)" a pagina 30 (I).

19 LINGUA

Selezionare la lingua per la visualizzazione a schermo fra cinque lingue.

Le lingue disponibili sono: inglese, tedesco, francese, italiano e spagnolo.

Per maggiori informazioni sulla selezione della lingua, vedere la sezione "Selezione della lingua per la visualizzazione a schermo" a pagina 31 (I).

Menu MEMORIA

Questo menu viene utilizzato per salvare o richiamare le impostazioni nei menu CTRL IMMAG, DIMEN IMMAG e CONFIG (solo DETTAGLIO V e FILTRO H).



Per maggiori informazioni, vedere la sezione "Uso della memoria" a pagina 28 (I).

20 CARICA

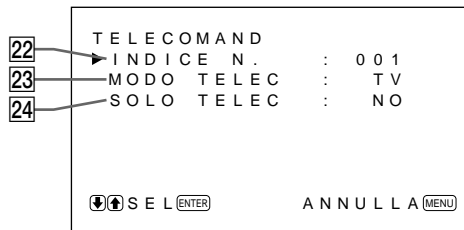
Per richiamare le impostazioni predefinite.

21 SALVA

Per salvare le impostazioni.

Menu TELECOMAND

Questo menu viene utilizzato per le impostazioni con il telecomando.



22 INDICE N.

Per impostare il numero indice del monitor.

Nota

Per impostare il numero usare i tasti sul monitor.
Per maggiori informazioni sul numero indice, vedere la sezione "Funzionamento di un monitor specifico con il telecomando" a pagina 32 (I).

23 MODO TELEC

Selezionare il modo telecomando.

TV: telecomando di monitor o TV Sony

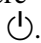
PROI: telecomando di proiettori Sony

NO: per disattivare il telecomando

Per maggiori informazioni, vedere la sezione "Uso di altri telecomandi" a pagina 33 (I).

24 SOLO TELEC

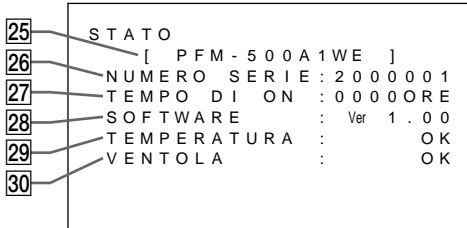
Selezionare SI per disattivare i tasti di comando sul lato anteriore del monitor. Il monitor potrà essere controllato solo con il telecomando. Quando SOLO TELEC viene impostato su SI, gli indicatori sul pannello anteriore si spengono.

Per annullare il modo SOLO TELEC, impostare SOLO TELEC su OFF con il telecomando o premere il tasto CTRL contemporaneamente all'interruttore . Il monitor passa in modo di attesa e il modo SOLO TELEC viene annullato.

L'impostazione per questa voce rimane memorizzata quando viene scollegato il cavo di alimentazione CA, ma verrà annullata spegnendo il monitor con l'interruttore principale.

Menu STATO

Questo menu viene utilizzato per visualizzare le condizioni interne del monitor.



25 Nome modello

Indica il nome del modello.

26 NUMERO SERIE

Indica il numero di serie.

27 TEMPO DI ON

Indica le ore complessive di funzionamento.

Nota

Il modo di attesa non viene calcolato nel TEMPO DI ON.

28 SOFTWARE

Indica la versione software del sistema.


29 TEMPERATURA

Indica se la temperatura interna del monitor è normale.

OK: normale


NG: non normale

Quando la temperatura interna non è normale, viene visualizzato NG e la voce lampeggia in rosso.

Lampeggia anche l'indicatore  sul pannello di controllo.

Nota

Quando le prese di ventilazione sono ostruite o il monitor viene installato in un luogo poco ventilato, potrebbe apparire il messaggio "TEMPERATURE NG". In questo caso verificare che le prese di ventilazione non siano ostruite e installare il monitor in un luogo ben ventilato. Se il messaggio continua ad essere visualizzato, rivolgersi al rivenditore autorizzato Sony locale.

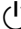
Quando l'indicatore  lampeggia oppure appare NG, vedere la sezione "Funzione di autodiagnostica" a pagina 31 (I).

30 VENTOLA

Il monitor dispone di ventole di raffreddamento incorporate. Questa voce indica se le ventole funzionano correttamente.


OK: normale

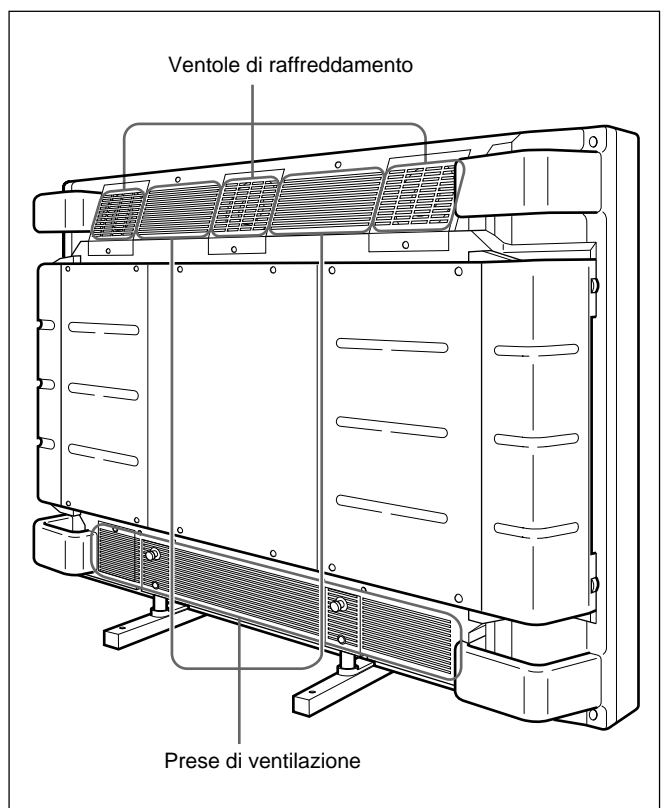
NG: non normale

Quando le ventole di raffreddamento non funzionano in modo normale, viene visualizzato NG e la voce lampeggia in rosso. Lampeggia anche l'indicatore  sul pannello di controllo.

Nota

Quando appare il messaggio "VENTOLA NG", rivolgersi al rivenditore autorizzato Sony locale.

Quando l'indicatore  lampeggia oppure appare NG, vedere la sezione "Funzione di autodiagnostica" a pagina 31 (I).



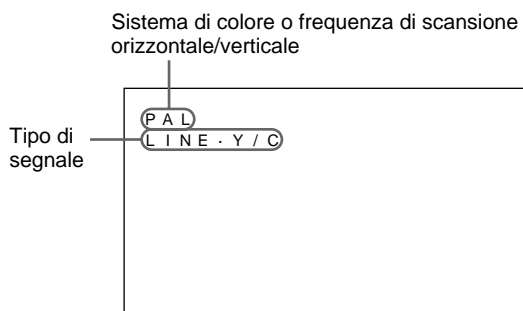
Riproduzione delle immagini

Operazioni preliminari

- Accendere il monitor.
- Accendere l'apparecchiatura collegata e riprodurre una sorgente video.
- Per visualizzare sullo schermo le informazioni relative al segnale di ingresso, quando viene attivata l'alimentazione o commutato il segnale di ingresso, impostare su SI la voce "MENU SCHERMO" nel menu CONFIG.
- Per selezionare la lingua utilizzata nel menu, vedere a pagina 31 (I).

Commutazione delle immagini

- 1 Premere CTRL sul pannello di controllo del monitor.
I tasti RGB1, YUV, RGB2, LINE, e Y/C si illuminano.
- 2 Selezionare la sorgente di ingresso da visualizzare premendo i seguenti tasti.
RGB1: per selezionare l'ingresso del segnale audio e video dai connettori RGB1 quando il segnale di ingresso è il segnale RGB.
YUV: per selezionare l'ingresso del segnale audio e video dai connettori RGB1 quando il segnale di ingresso è il segnale componente.
RGB2: per selezionare l'ingresso del segnale audio e video dai connettori RGB2.
LINE: per selezionare l'ingresso del segnale audio e video dal connettore VIDEO IN e dalla presa AUDIO IN nei connettori LINE.
Y/C: per selezionare l'ingresso del segnale audio e video dal connettore Y/C IN e dalla presa AUDIO IN nei connettori LINE.



L'ingresso selezionato appare sullo schermo del monitor.

È inoltre possibile commutare il segnale di ingresso dal telecomando.

Nota

Si consiglia di utilizzare come sorgente di ingresso un'apparecchiatura video dotata di TBC (time base corrector). Se si riceve un segnale senza TBC, l'immagine potrebbe scomparire a causa dei disturbi del segnale sincronico.

Riproduzione del fermo immagine

È possibile fermare l'immagine con il tasto STILL sul telecomando. Per fermare l'immagine premere il tasto STILL quando viene visualizzata l'immagine in movimento.

È possibile inoltre congelare l'immagine premendo semplicemente il tasto **↑** sul pannello di controllo.

Per ripristinare lo schermo normale

- Premere di nuovo il tasto STILL sul telecomando oppure il tasto **↑** sul pannello di controllo
- Commutare il segnale di ingresso.

Note

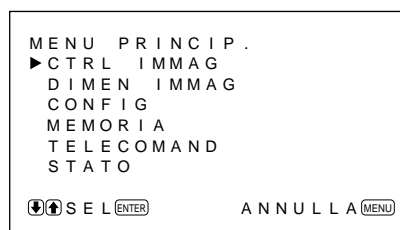
- Durante il funzionamento del menu, il tasto **↑** serve per le operazioni di menu.
- I tasti **↑/↓** lampeggiano durante il modo di fermo immagine.
- Quando la voce MENU SCHERMO nel menu CONFIG viene impostata su SI, sulla parte superiore del monitor appare la videata "PAUSA". Per annullare la videata, impostare la voce MENU SCHERMO su NO.

Visualizzazione delle informazioni relative allo stato del monitor e al segnale di ingresso

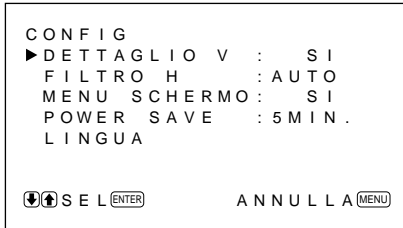
Le informazioni relative allo stato del monitor e al segnale di ingresso vengono visualizzate per circa cinque secondi, quando viene attivata l'alimentazione o commutato il segnale di ingresso.

Per disattivare questa funzione, seguire i punti sotto descritti.

- 1 Premere MENU.
Sullo schermo del monitor appare il menu principale.



- 2** Premere \uparrow/\downarrow per spostare il cursore (\blacktriangleright) su "CONFIG" e premere ENT. Sullo schermo del monitor appare il menu CONFIG.



- 3** Premere \uparrow/\downarrow per spostare il cursore (\blacktriangleright) su "MENU SCHERMO" e premere ENT. Sullo schermo del monitor appare il menu seguente.



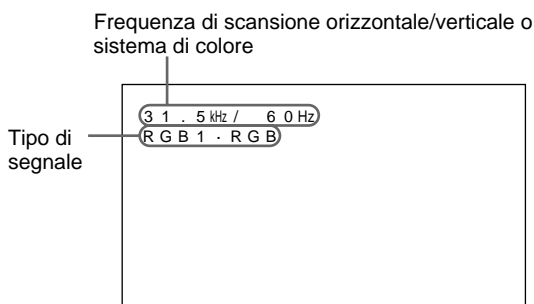
- 4** Premere \uparrow per impostare "MENU SCHERMO" su NO e premere ENT. La funzione MENU SCHERMO viene disattivata.

Per attivare la funzione di informazioni, impostare "MENU SCHERMO" su SI al punto 4 sopra descritto.

Nota

È possibile visualizzare le informazioni relative al segnale di ingresso in qualsiasi momento premendo il tasto DISPLAY sul telecomando, indipendentemente dalle impostazioni sopra descritte.

Informazioni sul segnale di ingresso



Segnale di ingresso	Frequenza di scansione orizzontale/verticale o sistema di colore	
NTSC	NTSC	
PAL	PAL	
VGA ^{a)} (Grafica)	31,5 kHz	60 Hz
VGA (Testo)	31,5 kHz	70 Hz
HDTV	33,8 kHz	60 Hz
Mac ^{b)} 13"	35,0 kHz	67 Hz
VESA ^{c)} 800×600	37,9 kHz	60 Hz
VESA 1024×768	48,4 kHz	60 Hz
Mac 16"	49,7 kHz	75 Hz
ATI ^{d)} 1280×1024	64,0 kHz	60 Hz
Mac 21"	68,7 kHz	75 Hz
VESA 1280×1024	80,0 kHz	75 Hz

- a) VGA è un marchio di fabbrica registrato di International Business Machines Corporation, USA.
 b) Mac (Macintosh) è un marchio di fabbrica registrato di Apple Computer, Inc.
 c) VESA è un marchio di fabbrica registrato di Video Electronics Standard Association.
 d) ATI è un marchio di fabbrica registrato di ATI Technologies, Inc.

Nota

Quando si immette il segnale HDTV, immettere il segnale sincronico a tre livelli sul connettore G/Y IN.

Indicazione a schermo dello stato effettivo del monitor

Indicazione a schermo	Significato
31.5kHz / 60Hz (eg.)	Il segnale di ingresso selezionato è RGB computer.
525 / 60 (eg.)	Il segnale di ingresso selezionato è RGB o video componente.
NTSC	Il segnale di ingresso selezionato è NTSC.
PAL	Il segnale di ingresso selezionato è PAL.
VARIE	Il segnale di ingresso non rientra nel campo di cattura.
NO SYNC	Non vi è alcun segnale di ingresso.
ANNULLA	L'audio è disattivato.
RGB1 RGB	Il modo di segnale di RGB1 è impostato su RGB.
RGB1 YUV	Il modo di segnale di RGB1 è impostato su video componente.
LINE COMP	L'ingresso video composito è selezionato su LINE.
LINE Y/C	L'ingresso video Y/C è selezionato su LINE.
PAUSA	L'immagine è ferma.

Regolazione dell'immagine

Guardando le immagini è possibile regolare il contrasto, la luminosità, il colore e la fase come si desidera. Le regolazioni possono essere effettuate separatamente per ciascun segnale di ingresso. È inoltre possibile memorizzare i livelli regolati.

Regolazione di contrasto, luminosità, colore e fase

Premere MENU per far apparire il menu principale sullo schermo del monitor e usando i tasti **↑/↓** selezionare "CONTRASTO", "LUMINOSITÀ", "COLORE" o "FASE" dal menu CTRL IMMAG.

CONTRASTO

Selezionare "CONTRASTO" con i tasti **↑/↓** e premere il tasto ENT.

Regolare il contrasto con i tasti **↑/↓** nella gamma da MIN (0) a MAX (+100).

- ↑**: per aumentare il contrasto dell'immagine
- ↓**: per diminuire il contrasto dell'immagine

LUMINOSITÀ

Selezionare "LUMINOSITÀ" con i tasti **↑/↓** e premere il tasto ENT.

Regolare la luminosità con i tasti **↑/↓** nella gamma da MIN (-50) a MAX (+50).

- ↑**: per rendere l'intera immagine di colore verdastro
- ↓**: per rendere l'intera immagine di colore rossastro

COLORE

Selezionare "COLORE" con i tasti **↑/↓** e premere il tasto ENT.

Regolare il colore con i tasti **↑/↓** nella gamma da MIN (-50) a MAX (+50).

- ↑**: per aumentare l'intensità del colore
- ↓**: per diminuire l'intensità del colore

FASE

Selezionare "FASE" con i tasti **↑/↓** e premere il tasto ENT.

Regolare la fase con i tasti **↑/↓** nella gamma da MIN (-50) a MAX (+50).

- ↑**: per rendere l'intera immagine di colore verdastro
- ↓**: per rendere l'intera immagine di colore rossastro

Note

- I comandi COLORE e FASE non funzionano con il segnale RGB.
 - Il comando FASE non funziona con il segnale componente.
 - Il comando FASE non funziona con la sorgente di colore PAL.
 - Non modificare il livello di COLORE/FASE (solo NTSC) quando il segnale selezionato non è NTSC o PAL.
- Sebbene non vi siano effetti sull'immagine corrente, vi saranno sull'immagine del segnale NTSC o PAL immesso in seguito.

Esaltazione del contrasto dell'immagine (funzione AGC immagine)

Quando l'intensità dell'immagine è bassa, questa funzione serve a migliorare automaticamente il contrasto.

Attivare questa funzione quando l'immagine sorgente è scura.

- 1 Premere MENU. Sullo schermo del monitor appare il menu principale.

```
MENU PRINCIP .
▶ CTRL IMMAG
  DIMEN IMMAG
  CONFIG
  MEMORIA
  TELECOMAND
  STATO
⏏SEL [ENTER]          ANNULLA [MENU]
```

- 2 Premere **↑/↓** per spostare il cursore (▶) su "CTRL IMMAG" e premere ENT. Sullo schermo del monitor appare il menu CTRL IMMAG.

```
CTRL IMMAG
▶ CONTRASTO      : 80
  LUMINOSITÀ    : 00
  COLORE        : 00
  FASE          : 00
  TEMP COLORE   : HIGH
  AGC IMMAGINE  : SI
  RIPRISTINA
⏏SEL [ENTER]          ANNULLA [MENU]
```

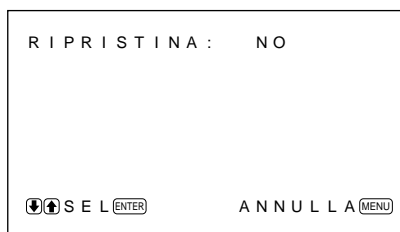

- 3** Premere **↑/↓** per spostare il cursore (**▶**) su “AGC IMMAGINE” e premere ENT.
Sullo schermo del monitor appare il menu seguente.



- 4** Premere **↑/↓** per impostare “AGC IMMAGINE” su SI.
- 5** Premere ENT.
Si tornerà al menu CTRL IMMAG.

Ripristino delle impostazioni originali delle voci del menu CTRL IMMAG

- 1** Nel menu CTRL IMMAG, premere **↑/↓** per spostare il cursore (**▶**) su “RIPRISTINA” e premere ENT.
Sullo schermo del monitor appare il menu seguente.



- 2** Premere **↑/↓**.
L'impostazione “NO” passa su “SI”.



- 3** Premere ENT.
Vengono ripristinate le voci del menu CTRL IMMAG.

Per annullare la funzione di ripristino, premere il tasto MENU prima di premere il tasto ENT.

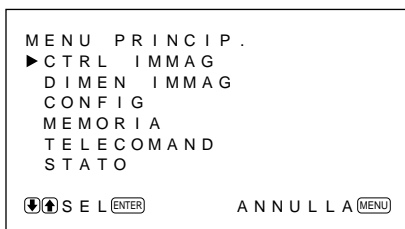
Zoomata, regolazione delle dimensioni e della posizione dell'immagine

È possibile spostare la posizione dell'immagine in modo da adattarla allo schermo oppure regolare le dimensioni verticali e orizzontali dell'immagine separatamente.

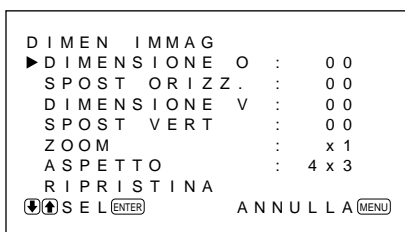
È possibile effettuare zoomate ingrandendo l'immagine di due, tre o quattro volte rispetto alle dimensioni originali.

Regolazione delle dimensioni dell'immagine

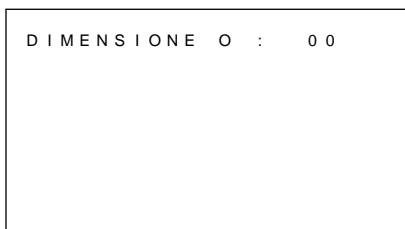
- 1 Premere MENU.
Sullo schermo del monitor appare il menu principale.



- 2 Premere ↑/↓ per spostare il cursore (▶) su "DIMEN IMMAG" e premere ENT.
Sullo schermo del monitor appare il menu DIMEN IMMAG.



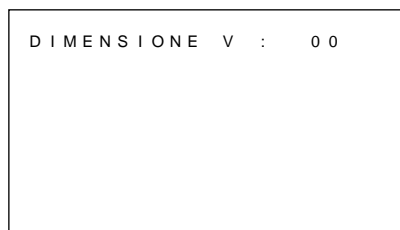
- 3 Premere ↑/↓ per spostare il cursore (▶) su "DIMENSIONE O" e premere ENT.
Sullo schermo del monitor appare il menu seguente.



- 4 Premere ↑/↓ per regolare la dimensione dell'immagine.
↑: per aumentare la dimensione orizzontale
↓: per ridurre la dimensione orizzontale
La dimensione orizzontale dell'immagine viene indicata sullo schermo del monitor nella gamma da MIN(-50) a MAX(+50). Il valore di fabbrica è 00.

- 5 Premere ENT.
Si tornerà al menu DIMEN IMMAG.

- 6 Premere ↑/↓ per spostare il cursore (▶) su "DIMENSIONE V" e premere ENT.
Sullo schermo del monitor appare il menu seguente.



- 7 Premere ↑/↓ per regolare la dimensione dell'immagine.
↑: per aumentare la dimensione verticale
↓: per ridurre la dimensione verticale
La dimensione verticale dell'immagine viene indicata sullo schermo del monitor da MIN(-50) a MAX(+50). Il valore di fabbrica è 00.

- 8 Premere ENT.
Si tornerà al menu DIMEN IMMAG.

Regolazione della posizione dell'immagine

- 1 Nel menu DIMEN IMMAG, premere ↑/↓ per spostare il cursore (▶) su "SPOST ORIZZ." e premere ENT.
Sullo schermo del monitor appare il menu seguente.



- 2 Premere ↑/↓ per spostare l'immagine.
↑: per spostare l'immagine verso destra
↓: per spostare l'immagine verso sinistra
La posizione orizzontale dell'immagine viene indicata sullo schermo del monitor da MIN(-50) a MAX(+50). Il valore di fabbrica è 00.

3 Premere ENT.
Si tornerà al menu DIMEN IMMAG.

4 Premere **↑/↓** per spostare il cursore (▶) su “SPOST VERT” e premere ENT.
Sullo schermo del monitor appare il menu seguente.



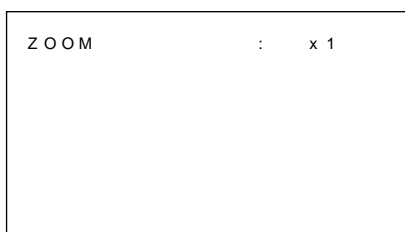
5 Premere **↑/↓** per spostare l'immagine.
↑: per spostare l'immagine verso l'alto
↓: per spostare l'immagine verso il basso
La posizione verticale dell'immagine viene indicata sullo schermo del monitor da MIN(-50) a MAX(+50). Il valore di fabbrica è 00.

6 Premere ENT.
Si tornerà al menu DIMEN IMMAG.

Zoomata dell'immagine

È possibile effettuare questa operazione anche usando il tasto ZOOM sul telecomando.

1 Nel menu DIMEN IMMAG, premere **↑/↓** per spostare il cursore (▶) su “ZOOM” e premere ENT.
Sullo schermo del monitor appare il menu seguente.

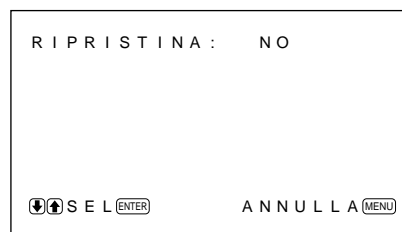


2 Premere **↑/↓** per impostare lo zoom.
Quando si preme **↑**, l'immagine viene ingrandita rispettivamente di due, tre e quattro volte.
Per invertire la zoomata, premere **↓**.

3 Premere ENT.
Si tornerà al menu DIMEN IMMAG.

Ripristino delle dimensioni e della posizione originali dell'immagine

1 Nel menu DIMEN IMMAG, premere **↑/↓** per spostare il cursore (▶) su “RIPRISTINA” e premere ENT.
Sullo schermo del monitor appare il menu seguente.



2 Premere **↑/↓**.
L'impostazione “NO” passa su “SI”.



3 Premere ENT.
Vengono ripristinate le dimensioni e la posizione originali.

Per annullare la funzione di ripristino, premere il tasto MENU prima di premere il tasto ENT.

Uso della memoria

È possibile salvare le condizioni correnti dell'immagine da ciascun segnale di ingresso utilizzando la funzione MEMORIA.

Le condizioni salvate possono essere ripristinate qualora sia necessario.

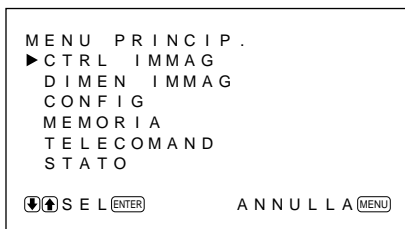
Possono essere memorizzate le voci nei menu CTRL IMMAG, DIMEN IMMAG e CONFIG (solo DETTAGLIO V e FILTRO H).

È possibile salvare le condizioni dell'immagine per un massimo di cinque segnali di ingresso.

Memorizzazione delle condizioni correnti

1 Premere MENU.

Sullo schermo del monitor appare il menu principale.



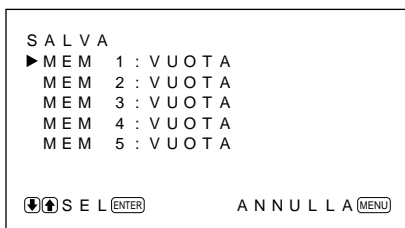
2 Premere ↑/↓ per spostare il cursore (▶) su “MEMORIA” e premere ENT.

Sullo schermo del monitor appare il menu MEMORIA.



3 Premere ↑/↓ per spostare il cursore (▶) su “SALVA” e premere ENT.

Sullo schermo del monitor appare il menu seguente.

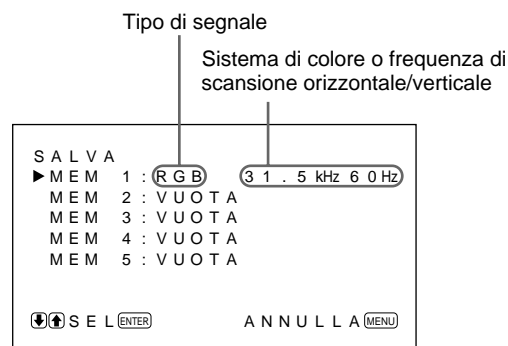


4 Premere ↑/↓ per spostare il cursore (▶) su MEM da 1 a 5 e premere ENT.

Appare il messaggio “COMPLETATO” per circa cinque secondi.

I dati correnti vengono memorizzati nel numero di memoria selezionato.

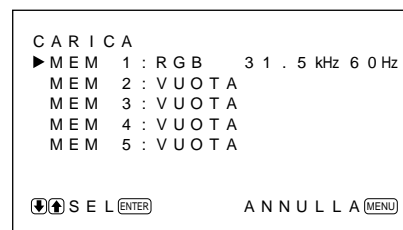
Nel caso in cui nel numero di memoria selezionato vi fossero memorizzati dei dati, sulla colonna destra vicino al numero stesso vengono visualizzati il tipo di segnale e il sistema di colore o la frequenza di scansione orizzontale/verticale.



Richiamo delle condizioni memorizzate

1 Nel menu MEMORIA, premere ↑/↓ per spostare il cursore (▶) su “CARICA” e premere ENT.

Sullo schermo del monitor appare il menu seguente.



2 Premere ↑/↓ per spostare il cursore (▶) su MEM da 1 a 5 e premere ENT.

Appare il messaggio “COMPLETATO” per circa cinque secondi.

L'immagine viene regolata in base alle condizioni selezionate.

Note

- Non è possibile richiamare i dati della memoria se il segnale selezionato è differente dal segnale preimpostato.
- È possibile memorizzare le seguenti voci:

Menu CTRL IMMAG

- CONTRASTO
- LUMINOSITÀ
- COLORE
- FASE
- TEMP COLORE
- AGC IMMAGINE

Menu DIMEN IMMAG

- DIMENSIONE O
- SPOST ORIZZ.
- DIMENSIONE V
- SPOST VERT
- ZOOM
- ASPETTO

Menu CONFIG

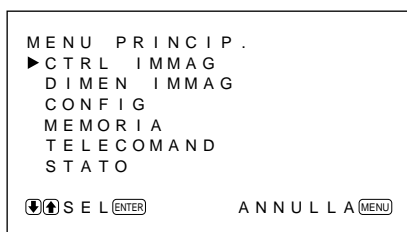
- DETTAGLIO V
- FILTRO H

Spegnimento automatico quando non vi è alcun segnale di ingresso (funzione di risparmio energetico)

Se non vi è alcun segnale di ingresso dai connettori RGB1 o RGB2, dopo un determinato periodo questo apparecchio si spegne automaticamente (funzione di risparmio energetico).

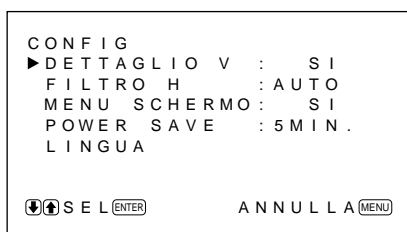
1 Premere MENU.

Sullo schermo del monitor appare il menu principale.



2 Premere ↑/↓ per spostare il cursore (▶) su "CONFIG" e premere ENT.

Sullo schermo del monitor appare il menu CONFIG.



3 Premere ↑/↓ per spostare il cursore (▶) su "POWER SAVE" e premere ENT.

Sullo schermo del monitor appare il menu seguente.



4 Premere ↑/↓ per selezionare il periodo per entrare nel modo di risparmio energetico.

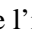
NO: la funzione di risparmio energetico non viene attivata.

5 MIN.: se non vi è alcun segnale di ingresso entra nel modo di risparmio energetico dopo cinque minuti.

10 MIN.: se non vi è alcun segnale di ingresso entra nel modo di risparmio energetico dopo dieci minuti.

Quando l'apparecchio è nel modo di risparmio energetico l'indicatore di accensione lampeggia.

Per annullare la funzione di risparmio energetico

- Immettere di nuovo il segnale sincronico.
- Premere l'interruttore  sul pannello di controllo o l'interruttore POWER sul telecomando.

Specificazione del segnale per l'uso della funzione di risparmio energetico.

RGB1: quando il segnale sincronico è collegato al connettore HD/COMP IN.

RGB2: quando il segnale sincronico è collegato al piedino N. 13 del connettore RGB IN (D-sub a 15 piedini).

Note

- La funzione di risparmio energetico non viene attivata quando il segnale viene immesso dai connettori LINE.
- Se il segnale sincronico non è collegato al connettore HD/COMP IN, l'apparecchio non si accende anche se viene immesso il segnale sincronico. Accertarsi di impostare POWER SAVE su NO quando viene collegato solo il segnale RGB o il segnale componente.
- Se il segnale sincronico non è collegato al 13° piedino del connettore RGB IN (D-sub a 15 piedini), l'apparecchio non si accende anche se viene immesso il segnale sincronico. Accertarsi di impostare POWER SAVE su NO quando viene collegato solo il segnale RGB.

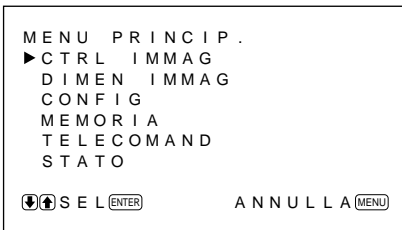
Selezione della lingua per la visualizzazione a schermo

È possibile selezionare la lingua per la visualizzazione a schermo fra cinque lingue.

Le lingue disponibili sono: inglese, tedesco, francese, italiano e spagnolo.

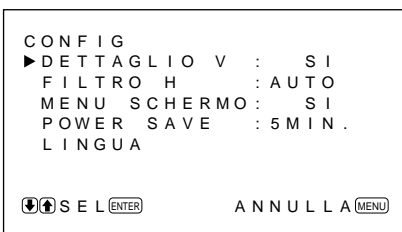
1 Premere MENU.

Sullo schermo del monitor appare il menu principale.



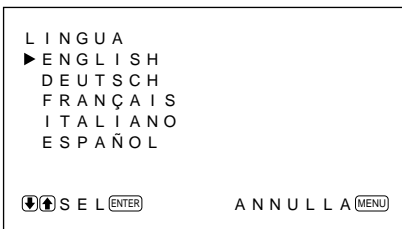
2 Premere ↑/↓ per spostare il cursore (▶) su "CONFIG" e premere ENT.

Sullo schermo del monitor appare il menu CONFIG.



3 Premere ↑/↓ per spostare il cursore (▶) su "LINGUA" e premere ENT.

Sullo schermo del monitor appare il menu seguente.



4 Premere ↑/↓ per spostare il cursore (▶) sulla lingua desiderata e premere ENT.

La lingua per la visualizzazione a schermo passa a quella selezionata.

ENGLISH: inglese

DEUTSCH: tedesco

FRANÇAIS: francese

ITALIANO: italiano

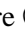
ESPAÑOL: spagnolo

5 Premere MENU.


Si tornerà al menu CONFIG.

Funzione di autodiagnostica

L'apparecchio dispone di una funzione di autodiagnostica.

Questa funzione permette di visualizzare le condizioni del monitor con l'indicatore  lampeggiante e i numeri sull'indicatore SERVICE CODE. I numeri danno informazioni sulle condizioni correnti del monitor.

Quando l'apparecchio funziona correttamente, lampeggia solo il punto sull'indicatore SERVICE CODE nella posizione in basso a destra.

Se lampeggia l'indicatore , verificare il numero e rivolgersi al rivenditore autorizzato Sony locale.

1 Verificare il numero a due cifre sull'indicatore SERVICE CODE.

L'indicatore mostra un numero o più numeri in modo alterno ogni mezzo secondo.

2 Scollegare l'apparecchio.

Riferire il numero al rivenditore Sony.

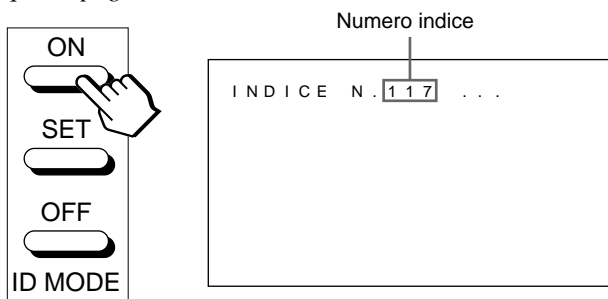
Funzionamento di un monitor specifico con il telecomando

Utilizzando il telecomando in dotazione, è possibile far funzionare un monitor specifico senza influire sugli altri monitor installati insieme.

1 Premere ID MODE ON sul telecomando.

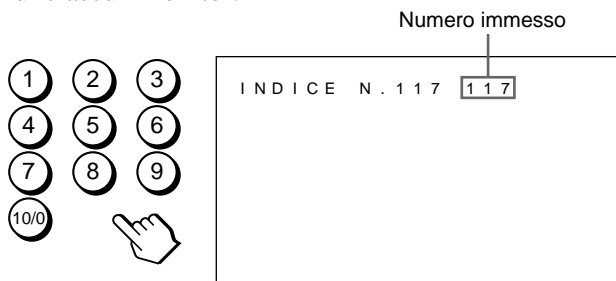
I numeri indice dei monitor appaiono in caratteri bianchi su tutti i monitor. (A ciascun monitor viene assegnato un numero indice individuale preimpostato, da 1 a 255.)

Per modificare il numero indice, vedere la sezione "Per modificare il numero indice" nella colonna a destra in questa pagina.



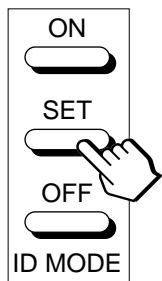
2 Immettere il numero indice del monitor che si desidera far funzionare usando i tasti da 0 a 9 sul telecomando.

Il numero immesso appare vicino al numero indice di ciascun monitor.



3 Premere ID MODE SET.

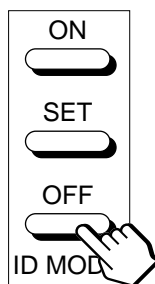
Il carattere sul monitor selezionato diventa di colore ciano mentre gli altri diventano di colore rosso.



È possibile far funzionare solo un monitor specificato. (Nel modo ID sono possibili tutte le operazioni eccetto quelle di POWER ON/OFF.)

4 Dopo le necessarie regolazioni, premere ID MODE OFF.

Il monitor torna al modo normale.

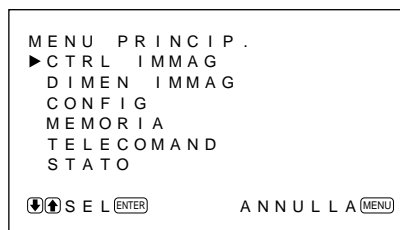


Per modificare il numero indice

Se necessario è possibile modificare il numero indice. Per modificare il numero, usare i tasti sul monitor.

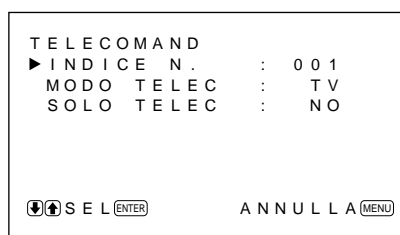
1 Premere MENU.

Sullo schermo del monitor appare il menu principale.



2 Premere ↑/↓ per spostare il cursore (▶) su "TELECOMAND" e premere ENT.

Sullo schermo del monitor appare il menu TELECOMAND.



3 Premere ↑/↓ per spostare il cursore (▶) su "INDICE N." e premere ENT.

Sullo schermo del monitor appare il menu seguente.



4 Selezionare il numero indice con ↑/↓ e premere ENT.

Si tornerà al menu TELECOMAND.

Uso di altri telecomandi

È possibile effettuare le seguenti operazioni.

- Attivazione/disattivazione dell'alimentazione
- Selezione ingresso
- Operazioni di menu
- Regolazioni dell'immagine: contrasto, fase e colore
- Attivazione/disattivazione della visualizzazione a schermo (solo per monitor e televisori)

Le operazioni disponibili e i tasti da utilizzare per ciascuna operazione sono limitati a seconda di ciascun telecomando. Vedere la tabella sotto riportata.

Modello telecomando		RM-854	RM-1271	RM-PJ1292	RM-PJ1000
Impostazione REMOTE MODE		TV	PJ	PJ	PJ
Selezione ingresso	RGB1	RGB	A	A	A
	RGB 2	—	B	B	B
	LINE	LINE1	VIDEO	VIDEO	VIDEO
Funzionamento da menu	MENU	MENU	PAGE o ←	PAGE o ←	MENU o ←
	ENTER	ENTER	→	→	ENTER o →
	+	+	↑	↑	↑
	-	-	↓	↓	↓
Regolazione immagine	Contrasto	CONTRAST+/-	CONTR+/-	CONTR+/-	CONTR+/-
	Colore	CHROMA+/-	COLOR+/-	COLOR+/-	COLOR+/-
	Fase	PHASE+/-	HUE+/-	HUE+/-	HUE+/-
Indicazioni a schermo		DISPLAY	—	STATUS ON	STATUS ON

Caratteristiche tecniche

Elaborazione video

Campo di cattura	Valore orizzontale: da 15,6 a 80 kHz Valore verticale: da 48 a 120 Hz
Segnale preimpostato	Ingresso: 12 formati (Vedere a pagina 23 (I))
Memoria video	1.152 × 1.152 × 24 bit (totale RGB)
Valore di campionamento	fase di compensazione da 12,5 a 40 MHz massimo (equivalente a campionamento di 80 MHz)
Pannello	Plasma Display Panel tipo AC
Risoluzione dello schermo	852 punti × 480 righe
Passo dei pixel	1,08(orizzontale) × 1,08(verticale) mm
Dimensioni immagine	920 (orizzontale) × 518 (verticale) mm
Dimensioni pannello	42-pollici (diagonale 1.056 mm)

Ingressi ed uscite

RGB1

R (R-Y)/ G (Y)/B (B-Y) IN	Tipo BNC (×3) 0,714 Vp-p/non composito 75 ohm (terminazione automatica) 1 Vp-p/composito 75 ohm (terminazione automatica)
---------------------------	---

SYNC IN(HD/COMP, VD)

Tipo BNC (×2)
SINCRONISMO H (o composito), SINCRONISMO V, alta impedenza da 1 a 5 Vp-p

AUDIO IN (L, R)	Presafono (×2) 500 mVrms, alta impedenza
-----------------	---

R (R-Y)/ G (Y)/B (B-Y) OUT

Tipo BNC (×3) a circuito aperto

SYNC OUT (HD/COMP, VD)

Tipo BNC (×2) a circuito aperto SINCRONISMO H (o composito), SINCRONISMO V

AUDIO OUT (L, R)

Presafono (×2) a circuito aperto

RGB2

RGB IN	D-sub a 15 piedini Vedere "Assegnazione dei piedini" a pagina 35 (I).
--------	--

AUDIO IN (L, R)	Presafono (×2) 500 mVrms, alta impedenza
-----------------	---

LINE (NTSC, PAL)

VIDEO IN	Tipo BNC (×1) Videocomposito, sinc negativa 1 Vp-p ±2 dB, 75 ohm (terminazione automatica)
----------	--

Y/C IN	Mini DIN tipo a 4 piedini (×1) Y (luminanza): sinc negativa 1 Vp-p ±2 dB, 75 ohm (terminazione automatica)
--------	--

C (crominanza): segnale di sincronizzazione 0,286 Vp-p ±2 dB (NTSC), 75 ohm (terminazione automatica)
--

Segnale di sincronizzazione 0,3 Vp-p ±2 dB (PAL) 75 ohm (terminazione automatica)
--

AUDIO IN (L, R)	Presafono (×2) 500 mVrms, alta impedenza
-----------------	---

VIDEO OUT	Tipo BNC (×1) a circuito aperto
-----------	---------------------------------

Y/C OUT	Mini DIN tipo a 4 piedini (×1) a circuito aperto
---------	--

AUDIO OUT (L, R) (uscita variabile)	Presafono (×2) a circuito aperto
-------------------------------------	----------------------------------

MONITOR OUT AUDIO (L, R)

Presafono (×2) 500 mVrms massimo, alta impedenza

CONTROL S (IN, OUT)

Minipresa (stereo) (×2) 5 Vp-p

SPEAKERS	da 6 a 16 ohm, 7 W + 7 W (quando l'impedenza è 8 ohm)
----------	---

Generali

Alimentazione	da 100 a 120 V CA, 50/60 Hz, 3,9 A/380 W da 220 a 240 V CA, 50/60 Hz, 2,0 A/360 W
---------------	--

Condizioni di utilizzo

Temperatura: da 0°C a 35°C
Umidità: dal 20% al 90% (senza
condensa)
Pressione atmosferica: da 700 a
1060 hPa

Condizione di deposito/trasporto

Temperatura: da -10°C a +40°C
Umidità: dal 20% al 90% (senza
condensa)
Pressione atmosferica: da 700 a
1060 hPa

Dimensioni 1036 × 636 × 152 mm (l/a/p)

Peso 47 kg

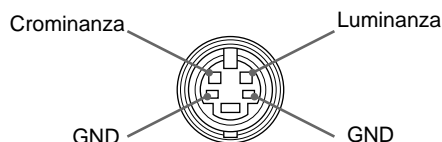
Accessori in dotazione

Cavo di alimentazione CA (1)
Fermaspina CA (1)
Telecomando RM-921 (1)
Batterie R6 (formato AA) (2)
Nucleo di ferrite (2)
Staffa supporto piedi (2)
Viti per staffa supporto piedi (6)
Stabilizzatore del monitor (2)
Istruzioni per l'uso (1)

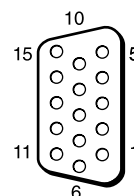
Il design e le caratteristiche tecniche sono soggetti a
modifiche senza preavviso.

Assegnazione dei piedini

Presse Y/C (mini DIN a 4 piedini)



Connettore RGB IN (D-sub a 15 piedini)



N. piedino	Segnale
1	Video rosso o R-Y
2	Video verde o Y
3	Video blu o B-Y
4	Terra
5	Terra
6	Terra rosso
7	Terra verde
8	Terra blu
9	Non in uso
10	Terra
11	Terra
12	SDA
13	Sincronismo H o composito
14	Sincronismo V
15	SCL

ソニー製品は安全に充分配慮して設計されています。しかし、電気製品は、まちがった使いかたをすると、火災や感電などにより死亡や大けがなど人身事故につながることもあり、危険です。事故を防ぐために次のことを必ずお守りください。

安全のための注意事項を守る

- 4 (J) ~ 8 (J) ページの注意事項をよくお読みください。
9 (J) ページの「本機の性能を保持するために」もあわせてお読みください。

定期点検をする

5年に1度は、内部の点検を、お買い上げ店またはソニーのサービス窓口にご依頼ください(有料)

故障したら使わない

すぐに、お買い上げ店またはソニーのサービス窓口にご連絡ください。

万一、異常が起きたら

- ・ 煙が出たら
- ・ 異常な音、においがしたら
- ・ 内部に水、異物が入ったら
- ・ 製品を落としたりキャビネットを破損したときは
- ・ 〇(スタンバイ)インジケータが点滅したときは



- ① モニターの電源を切る。
- ② モニターの電源コードや接続コードを抜く。
- ③ お買い上げ店またはソニーのサービス窓口連絡する。

この装置は、情報処理装置等電波障害自主規制協議会(VCCI)の基準に基づくクラスA情報技術装置です。この装置を家庭環境で使用すると電波妨害を引き起こすことがあります。この場合には使用者が適切な対策を講ずるよう要求されることがあります。

警告表示の意味

取扱説明書および製品では、次のような表示をしています。表示の内容をよく理解してから本文をお読みください。



この表示の注意事項を守らないと、火災や感電などにより死亡や大けがなど人身事故につながる可能性があります。



この表示の注意事項を守らないと、感電やその他の事故によりけがをしたり周辺の物品に損害を与えたりすることがあります。

注意を促す記号



注意



火災



感電

行為を禁止する記号



禁止



分解禁止



ぬれ手禁止



水ぬれ禁止

行為を指示する記号



強制



プラグをコンセントから抜く



アース線を接続せよ

△ 警告	4 (J)
△ 注意	6 (J)
電池についての安全上のご注意	8 (J)
本機の性能を保持するために	9 (J)
特長	9 (J)
各部の名称と働き	10 (J)
前面 / 側面	10 (J)
コントロールパネル	12 (J)
右コネクタパネル	13 (J)
左コネクタパネル	15 (J)
リモートコマンダー RM-921	16 (J)
設置	19 (J)
収納式スタンドの使いかた	19 (J)
使用上のご注意	20 (J)
接続	21 (J)
電源コードの接続	21 (J)
接続例	22 (J)
メニューで行う調整と設定	23 (J)
メニューの操作	23 (J)
メニューの説明	23 (J)
画像を見る	27 (J)
表示画面を切り換える	27 (J)
画像を静止させる	27 (J)
入力信号の情報とモニターの設定状態の表示について	27 (J)
画像を調整する	29 (J)
コントラスト、画像の明るさ、色の濃さ、色相を調整する	29 (J)
画像のコントラストを強調する(ピクチャーAGC機能)	29 (J)
調整した画像を出荷時の設定値に戻す	30 (J)
画像を拡大したり、位置やサイズを調整する	31 (J)
画像のサイズを変える	31 (J)
画像の位置を調整する	31 (J)
画像を拡大する(ズーム機能)	32 (J)
画像のサイズと位置を出荷時の設定値に戻す	32 (J)
メモリーを使う	33 (J)
現在の調整状態をメモリーする	33 (J)
メモリーした設定値を呼び出す	33 (J)
信号が入力されないとき電源を自動的に切る (パワーセービング機能)	35 (J)
メニュー表示の言語を選ぶ	36 (J)
自己診断機能	36 (J)
特定のモニターをリモートコマンダーで操作する	37 (J)
他のリモートコマンダーから操作する	38 (J)
仕様	39 (J)
保証書とアフターサービス	40 (J)



下記の注意を守らないと、**火災や感電により死亡や大けが**につながる可能性があります。



強制

規定の電源電圧で使う

この取扱説明書に記されている電源電圧でお使いください(交流100V)。規定外の電源電圧での使用は、火災や感電の原因となります。



禁止

油煙、湯気、湿気、ほこりの多い場所では設置・使用しない

上記のような場所に設置すると、火災や感電の原因となります。この取扱説明書に記されている仕様条件以外の環境での使用は、火災や感電の原因となります。



強制

製品の設置は十分な強度のある場所に取り付ける

強度の不十分な場所に設置すると、落下、転倒などによりけがの原因となります。



分解禁止

内部を開けない、改造しない

内部には電圧の高い部分があり、キャビネットや裏ぶたを開けたり改造したりすると、火災や感電の原因となることがあります。内部の調整や設定、点検、修理はお買い上げ店またはソニーのサービス窓口にご依頼ください。



禁止

内部に水や異物を入れない

水や異物が入ると火災や感電の原因となります。万一、水や異物が入ったときは、すぐに電源を切り、電源コードや接続ケーブルを抜いて、お買い上げ店またはソニーのサービス窓口にご相談ください。



禁止

電源コードを傷つけない

電源コードを傷つけると、火災や感電の原因となります。次の項目を必ずお守りください。

- 設置時に、製品と壁やラック、棚などの間に、はさみ込まない。
- 電源コードを加工したり、傷つけたりしない。
- 重いものをのせたり、引っ張ったりしない。
- 熱器具に近づけたり、加熱したりしない。
- 電源コードを抜くときは、必ずプラグを持って抜く。

万一、電源コードが傷んだら、お買い上げ店またはソニーのサービス窓口へ交換をご依頼ください。



強制

設置・取り付けは確実に

不確実な設置を行うと、モニターが転倒してけがや火災・感電の原因となります。設置の際は、以下の注意事項を必ずお守りください。

- 設置の項(19(J)ページ)に従って確実に設置してください。
- 壁面・天井・台上への設置、または転倒防止のためモニターを固定するなど、特殊な設置を行う場合には、必ずお買い上げ店に工事を依頼してください。



禁止

衝撃を与えない

本機の前面にガラスを使用しているため、衝撃を与えるとガラスが割れ、けがの原因となることがあります。

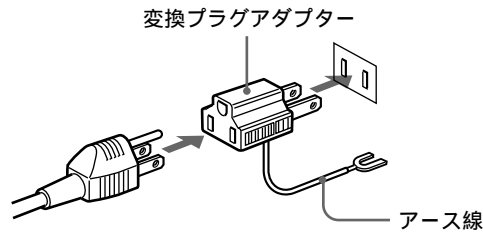


アース線を
接続せよ

安全アースを接続する

安全アースを接続しないと、感電の原因となることがあります。次の方法でアースを接続してください。

- 電源コンセントが3極の場合
付属の電源コードを使用することで、安全アースが接続されます。
- 電源コンセントが2極の場合
付属の3極→2極の変換プラグアダプターを使用し、変換プラグアダプターから出ている緑色のアースを、建物に備えられているアース端子に接続する。



不明な点はお買い上げ店またはソニーのサービス窓口にご相談ください。



下記の注意を守らないと、

けがをしたり周辺の物品に**損害**を与えることがあります。



注意

重いモニターは、2人以上で開梱・運搬する

モニターは見た目より重量があります。開梱・運搬は、けがや事故を防ぐため、必ず2人以上で行ってください。1人で行うと腰を痛めることがあります。



ぬれ手禁止

ぬれた手で電源プラグをさわらない

ぬれた手で電源プラグを抜き差しすると、感電の原因となることがあります。



水ぬれ禁止

水のある場所に設置しない

水が入ったり、ぬれたりすると、火災や感電の原因となることがあります。雨天や降雪中、海岸や水辺での使用は特にご注意ください。



禁止

不安定な場所に設置しない

ぐらついた台の上や傾いたところなどに設置すると、モニターが落ちたり、倒れたりして、けがの原因となることがあります。

また、設置・取り付け場所の強度を充分にお確かめください。



注意

接続の際は電源を切る

電源コードや接続ケーブルを接続するときは、電源を切ってください。感電や故障の原因となることがあります。



注意

指定された電源コード、接続ケーブルを使う

付属の、あるいは取扱説明書に記されている電源コード、接続ケーブルを使わないと、感電や故障の原因となることがあります。

他の電源コードや接続ケーブルを使用する場合は、お買い上げ店またはソニーのサービス窓口にご相談ください。



禁止

通風孔をふさがない

通風孔をふさぐと内部に熱がこもり、火災や故障の原因となることがあります。風通しをよくするために次の項目をお守りください。

- 壁から10cm以上離して設置する。
- 密閉された狭い場所に押し込めない。
- 毛足の長い敷物(じゅうたんや布団など)の上に設置しない。
- 布などで包まない。
- あお向けや横倒し、逆さまにしない。



禁止

モニターの上に乗らない、重いものを載せない

倒れたり、落ちたり、壊れたりして、けがの原因となることがあります。



禁止

スタンドを取りはずさない

スタンドを取りはずすと、モニターが倒れたりして、けがの原因となることがあります。



注意

設置時には転倒防止処置を行う

本機を据え置きする際には天災・地震など万一の場合に備え、転倒防止処置を行ってください。



注意

スタンドの開閉は、2人以上で作業する

スタンドの開閉は、けがや事故を防ぐため、必ず2人以上で行ってください。また、スタンドがロックしたことを確認してください。ロックしないと、手や指をはさみ、けがの原因となることがあります。



注意

設置時には必ずスタンドを使用する

モニターの転倒によるけがや事故を防ぐため、台・床などに本機を据え置きする際は、必ずスタンドをご使用ください。



禁止

直射日光の当たる場所や熱器具の近くに設置・保管しない

内部の温度が上がリ、火災や故障の原因となることがあります。真夏の、窓を閉め切った自動車内では50℃を越えることがありますので、ご注意ください。



プラグをコンセントから抜く

お手入れの際は、電源を切って電源プラグを抜く

電源を接続したままお手入れをすると、感電の原因となることがあります。



注意

移動させるときは電源コード、接続ケーブルを抜く

接続したまま移動させると、電源コードや接続ケーブルが傷つき、火災や感電の原因となることがあります。



注意

定期的に内部の掃除を依頼する

長い間、掃除をしないと内部にホコリがたまり、火災や感電の原因となることがあります。1年に1度は、内部の掃除をお買い上げ店またはソニーのサービス窓口にご依頼ください。(有料)
特に、湿気の多くなる梅雨の前に掃除をすると、より効果的です。



禁止

放熱ファンの中に指を入れない

放熱ファンの中に指や棒などを入れないでください。放熱ファンに巻きこまれて、けがの原因となることがあります。

電池についての安全上のご注意

漏液、発熱、発火、破裂などを避けるため、下記の注意事項を必ずお守りください。

警告

- 乾電池は充電しないでください。
- 指定された種類の電池を使ってください。
- 電池内部の液が目に入ったときは、こすらずにすぐにきれいな水で洗った後、直ちに医師の治療を受けてください。
- 火の中に入れてください。ショートさせたり、分解、加熱しないでください。

注意

- +と-の向きを正しく入れてください。
- 電池を使いきったとき、1か月以上使わないときは、取り出しておいてください。
- 新しい電池と使った電池、種類の違う電池を混ぜて使わないでください。

本機の性能を保持するために

PDP(プラズマディスプレイパネル)について

- ・色ムラなどのあるドットがありますが、故障ではありません。
- ・長時間、連続して同一画像を表示しないでください。長時間同一画像を表示した場合、その部分の輝度が高くなり、画面の一部に残像ができることがあります。同一画像を長時間表示する場合は、スクリーンセーバーなどを使用して、画面全体が均一となるような表示を定期的に行ってください。

設置についてのご注意

他の機器と組み合わせて設置する場合、各機器の設置位置など

により、リモートコンマnderの誤動作や映像の乱れ、雑音などが起こることがあります。この場合は、お買い上げ店、またはソニーのサービス窓口にご連絡ください。

クリーニングについて

- ・お手入れの際は、必ず本機の電源を切って電源プラグを抜いてください。
- ・シンナーやベンジンなどの薬品類は、表面の仕上げをいためたり、表示が消えてしまうことがありますので、使用しないでください。

特長

本機は、PDP(プラズマディスプレイパネル)を使用した薄型42インチの16:9マルチメディア対応モニターです。

スキャンコンバーター機能

RGB、コンポーネント、コンボジット、Y/C信号など、様々な入力信号に対して独自のアルゴリズムによりフォーマット変換を行い、垂直解像度480ラインのパネルに写し出します。従来のマルチスキャンモニターでは難しかった高い走査周波数への変換や柔軟な画面調節、ズーム、スチルなどの機能を無理なく実現できます。

IDコントロール機能

複数のモニターを使用している場合、インデックスナンバーを指定して、特定のモニターのみを操作できます。

オンスクリーンメニュー機能

画面に表示したメニューを使って、接続するシステムに最適な状態になるよう本機の調整や設定をすることができます。

コントロールS端子

コントロールS端子を使って複数のモニターやVTRを、1台のモニターで操作できます。

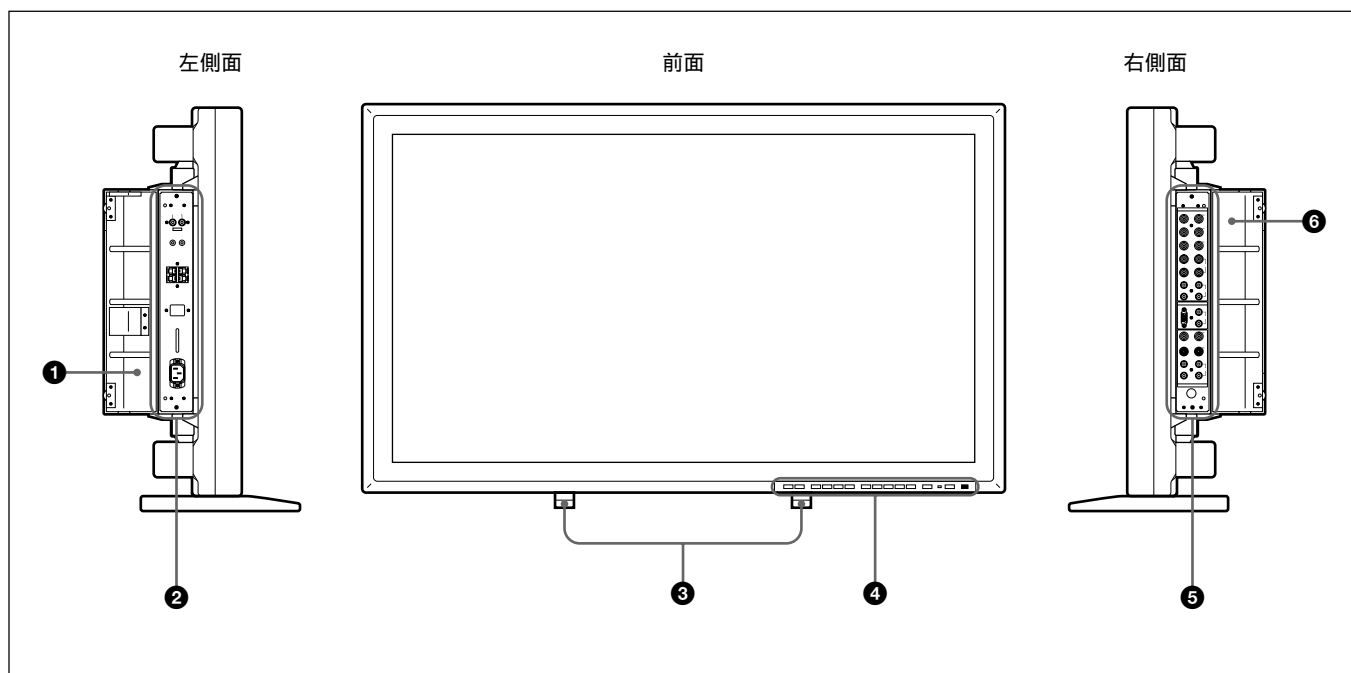
その他の特長

- ・NTSC方式のY/C分離に3次元くし形フィルターを使用。
- ・PAL方式のY/C分離にデジタルくし形フィルターを使用。
- ・最大4×4倍のズームが可能。
- ・SIRCS方式のソニーのリモートコンマnder(ワイヤレス、ワイヤード)を使用可能。
- ・コンボジットまたはY/C入力を1系統、RGB入力を1系統、RGB/コンポーネント入力を1系統、合計3系統の映像・音声入力を装備。
- ・3値同期信号付きHDTV信号の表示が可能。
- ・5種類の画像設定をメモリー可能。
- ・入力信号を自動判別して表示。
- ・Windows95¹⁾ PnP(プラグアンドプレイ)に対応。
- ・メニュー画面の表示を英語、ドイツ語、フランス語、イタリア語、スペイン語の5言語から選択可能。
- ・パワーセービング機能。
- ・自己診断機能。
- ・低輝度信号入力時、自動的にコントラストを向上させるピクチャーAGC機能を搭載。

1) Windows95は米国マイクロソフト社の登録商標です。

各部の名称と働き

前面 / 側面



① 左パネルカバー

左コネクタパネルを使用するとき開きます。

また、カバーの裏側に付属のリモートコマンダーを収納できます。

パネルカバーの開けかたは、右欄の「パネルカバーを開けるには」をご覧ください。

② 左コネクタパネル

左コネクタパネルについて詳しくは、「左コネクタパネル」(15(J)ページ)をご覧ください。

③ 収納式スタンド

モニターを設置するとき 사용합니다。

収納式スタンドの使いかたについて詳しくは、「収納式スタンドの使いかた」(19(J)ページ)をご覧ください。

④ コントロールパネル

コントロールパネルについて詳しくは、「コントロールパネル」(12(J)ページ)をご覧ください。

⑤ 右コネクタパネル

右コネクタパネルについて詳しくは、「右コネクタパネル」(13(J)ページ)をご覧ください。

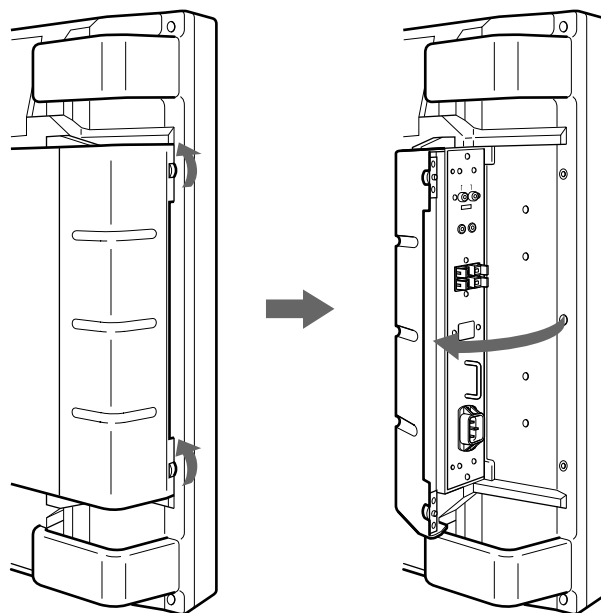
⑥ 右パネルカバー

右コネクタパネルを使用するとき開きます。

パネルカバーの開けかたは、右欄の「パネルカバーを開けるには」をご覧ください。

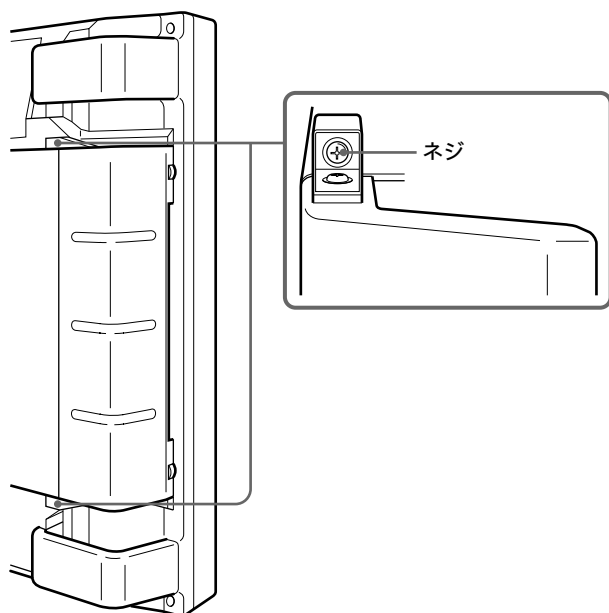
パネルカバーを開けるには

カバー固定用のネジを反時計回りにゆるめて、開けてください。



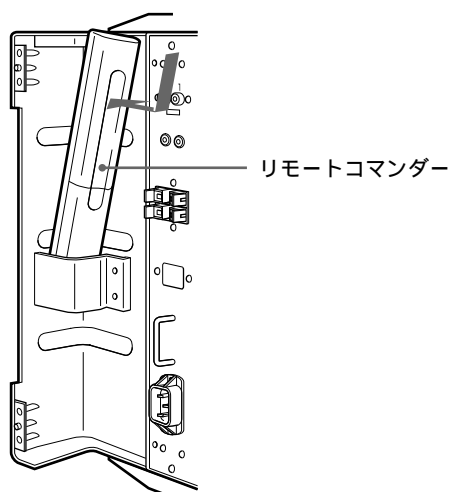
パネルカバーをはずすには

下图のカバー上下のネジをゆるめてください。



リモートコマンダーをパネルカバーに収納するには

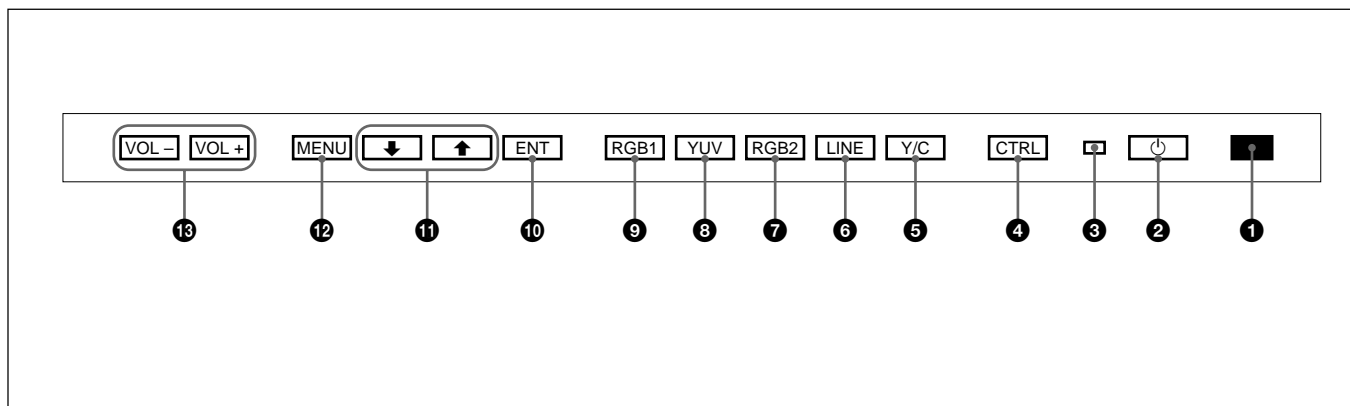
リモートコマンダーを左パネルカバーに収納することができます。
下图のように収納してください。



ご注意

リモートコマンダー発光部を上側に向け、リモートコマンダーの後面が表になるようにして、パネルカバーの裏側にはめ込んでください。

コントロールパネル



① リモコン受光部

ここでリモートコマンドの信号を受けます。

② ㊦(スタンバイ)スイッチ/㊦(スタンバイ)インジケータ

スイッチを押すと電源が入り、もう1度押すとスタンバイ状態に戻ります。

スタンバイ状態のとき、㊦(スタンバイ)インジケータは赤色に点灯します。

㊦(スタンバイ)インジケータが点滅したときは、「自己診断機能」(36(J)ページ)をご覧ください。

③ 電源インジケータ

モニターの電源を入ると点灯します。

パワーセービングモード時は点滅します。

パワーセービングモードについて詳しくは、「信号が入力されないとき電源を自動的に切る(パワーセービング機能)」(35(J)ページ)をご覧ください。

④ CTRL(コントロール)ボタン

ボタンを押すと、コントロールパネルの各ボタンが点灯あるいは点滅し、操作可能な状態になります。もう1度押すと操作できなくなります。

ご注意

このボタンを押さないと、コントロールパネルの各ボタン(㊦スタンバイ)スイッチ②をのぞく)は働きません。

⑤ Y/Cボタン

LINE端子のY/C入力端子に接続した機器の入力信号を選びます。

⑥ LINEボタン

LINE端子のVIDEO入力端子に接続した機器の入力信号を選びます。

⑦ RGB2ボタン

RGB2端子に接続した機器の入力信号を選びます。

⑧ YUVボタン

RGB1端子に接続した機器の入力信号がコンポーネント信号の場合に選びます。

⑨ RGB1ボタン

RGB1端子に接続した機器の入力信号がRGB信号の場合に選びます。

⑩ ENT(エンター)ボタン

メニューで、設定した内容を決定するときに押します。

⑪ ↑/↓ボタン

メニューでカーソル(▶)を動かしたり、数値などを設定したりするときに使います。

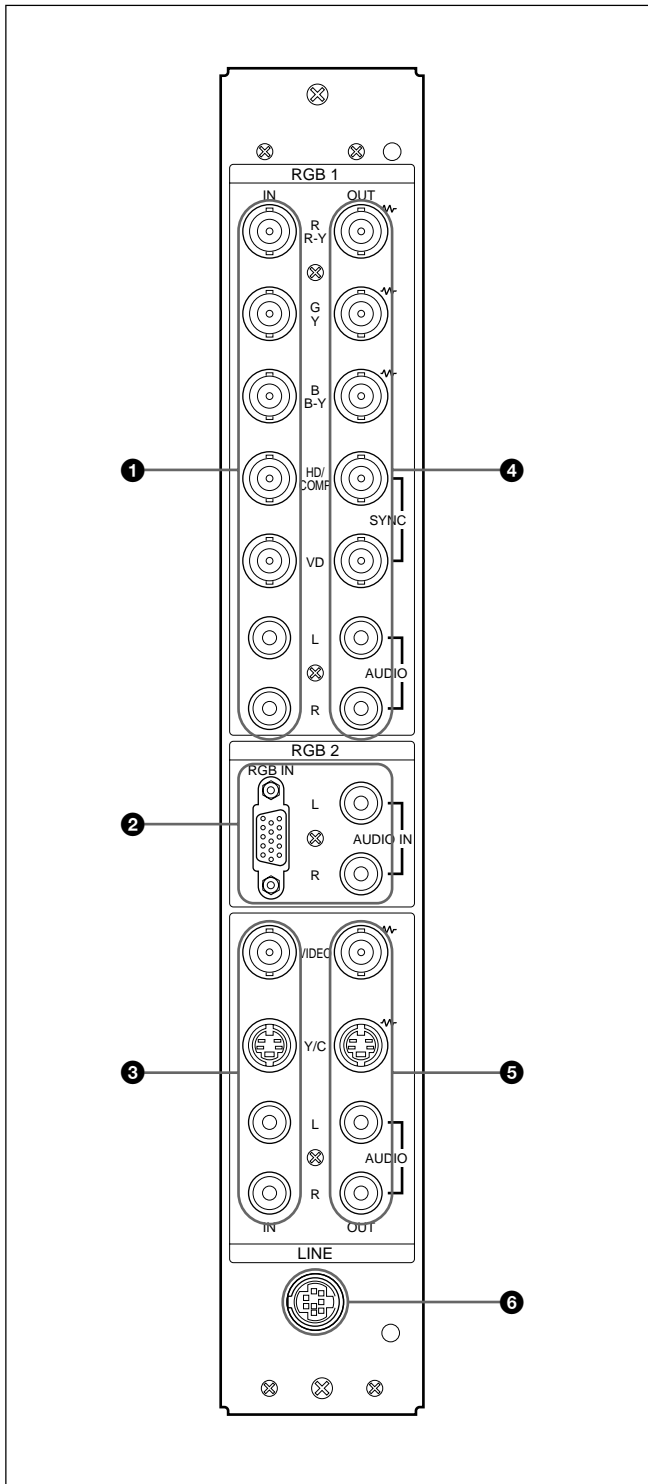
⑫ MENU(メニュー)ボタン

画面にメニューを出すときに押します。

⑬ VOL +/- (音量調節)ボタン

+を押すと音量が大きくなり、-を押すと小さくなります。

右コネクターパネル



① RGB1 IN (RGB1信号入力)端子

R (R-Y)/G (Y)/B (B-Y) IN (RGB/コンポーネント信号入力)端子 (BNC型): アナログRGB信号またはコンポーネント信号を入力します。コンピューターや映像機器のアナログRGB信号出力端子またはコンポーネント(Y/B-Y/R-Y)信号出力端子と接続します。

また、HDアナログコンポーネント(Y/Pb/Pr)信号の入力にも対応しています。Pb信号をB(B-Y)IN端子に、Pr信号をR(R-Y)IN端子に接続します。

HD/COMP IN (水平同期信号/コンポジット同期信号入力)端子 (BNC型): コンピューターや映像機器の水平同期信号、またはコンポジット同期信号を入力します。コンピューターや映像機器の水平同期信号またはコンポジット同期信号出力端子と接続します。

VD IN (垂直同期信号入力)端子 (BNC型): コンピューターや映像機器の垂直同期信号を入力します。コンピューターや映像機器の垂直同期信号出力端子と接続します。

同期信号が複数入力されているときは、自動的に以下のように選択されます。

入力端子	同期信号		
	水平同期	コンポジット同期	
HD/COMP IN	水平同期	コンポジット同期	
VD IN	垂直同期		
G(Y)IN	G信号同期	G信号同期	G信号同期
選択される同期信号	水平同期 垂直同期	コンポジット同期	G信号同期

AUDIO IN L/R (音声入力)端子 (ピンジャック): 音声信号を入力します。コンピューターや映像機器の音声出力端子と接続します。音声信号がモノラルの場合は、チャンネルLに接続してください。

② RGB 2 IN (RGB2信号入力)端子

RGB IN (RGB信号入力)端子 (D-sub 15ピン): コンピューターのRGB信号出力端子と接続します。

AUDIO IN L/R (音声入力)端子 (ピンジャック): 音声信号を入力します。コンピューターの音声出力端子と接続します。音声信号がモノラルの場合は、チャンネルLに接続してください。

(続く)

③ LINE IN (ライン入力) 端子

VIDEO IN (映像入力) 端子 (BNC 型) : 映像機器のコンポジット信号出力端子と接続します。

Y/C IN (映像入力) 端子 (ミニ DIN4 ピン) : 映像機器の Y/C 出力端子と接続します。

AUDIO IN L/R (音声入力) 端子 (ピンジャック) : 音声信号を入力します。映像機器の音声出力端子と接続します。音声信号がモノラルの場合は、チャンネルLに接続してください。

④ RGB1 OUT (RGB1信号出力) 端子

RGB1 IN 端子 ① に入力された信号をループスルー出力します。

R (R-Y)/G (Y)/B (B-Y) OUT 端子にプラグが接続されていないときは、R (R-Y)/G (Y)/B (B-Y) IN 端子は 75 Ω で自動終端されます。

R (R-Y)/G (Y)/B (B-Y) OUT (RGB/コンポーネント信号出力) 端子 (BNC 型) : RGB IN 端子に入力したコンピューターや映像機器の映像信号を出力します。他のモニターの RGB 信号入力端子やコンポーネント (Y/B-Y/R-Y) 信号入力端子と接続します。

HD/COMP OUT (水平同期信号/コンポジット同期信号出力) 端子 (BNC 型) : HD/COMP IN 端子に入力した水平同期信号、またはコンポジット同期信号を出力します。他のモニターの水平同期信号またはコンポジット同期信号入力端子に接続します。

VD OUT (垂直同期信号出力) 端子 (BNC 型) : VD IN 端子に入力した垂直同期信号を出力します。他のモニターの垂直同期信号入力端子に接続します。

ご注意

HD/COMP OUT 端子と VD OUT 端子はハイインピーダンス出力です。この端子を使用する場合は、ハイインピーダンスの同期信号入力端子を持っているモニターに接続してください。入力インピーダンスが低いと画像が乱れたり、消えたりする場合があります。

AUDIO OUT L/R (音声出力) 端子 (ピンジャック) : AUDIO IN L/R 端子に入力した音声信号を出力します。他のモニターの音声信号入力端子と接続します。

⑤ LINE OUT (ライン出力) 端子

LINE IN 端子 ③ に入力された信号をループスルー出力します。VIDEO、Y/C OUT 端子にプラグが接続されていないときは、VIDEO、Y/C IN 端子は 75 Ω で自動終端されます。

VIDEO OUT (映像出力) 端子 (BNC 型) : 他のモニターや映像機器の映像入力端子と接続します。

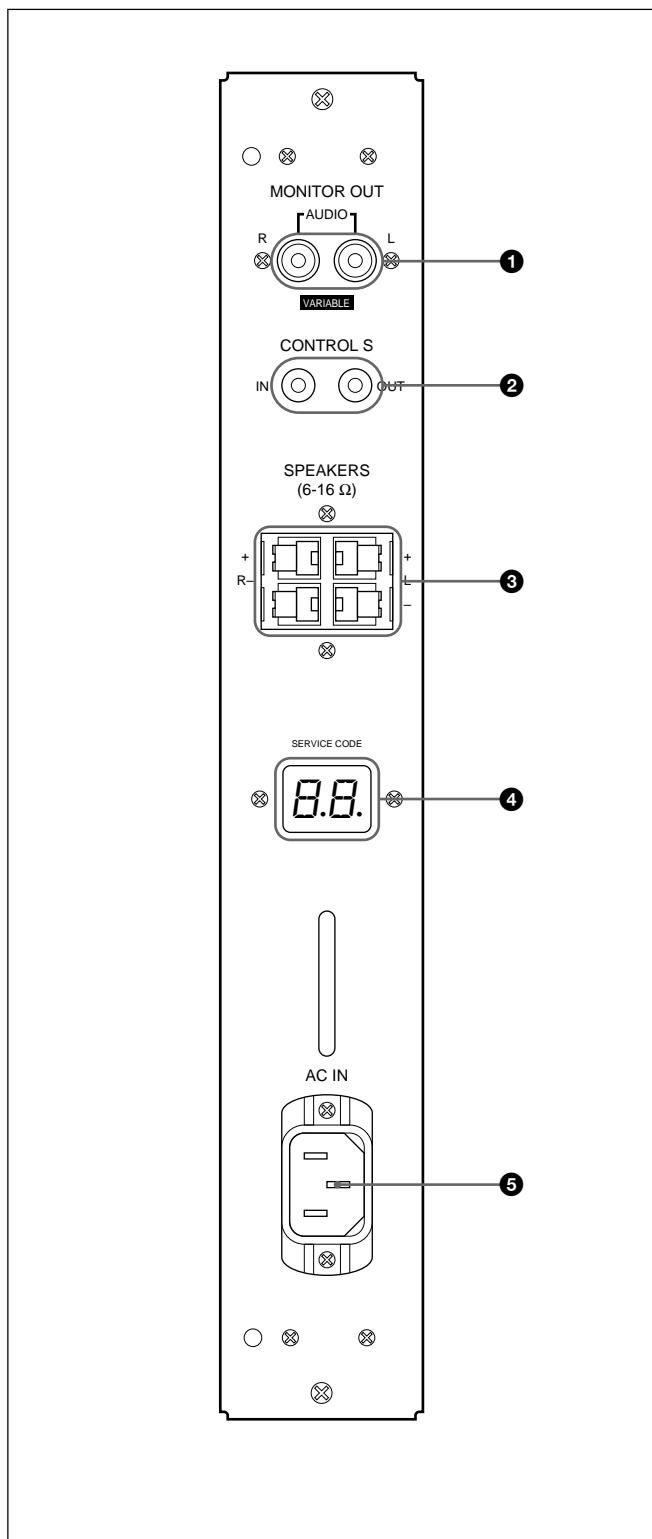
Y/C OUT (映像出力) 端子 (ミニ DIN4 ピン) : 他のモニターや映像機器の Y/C 入力端子と接続します。

AUDIO OUT L/R (音声出力) 端子 (ピンジャック) : AUDIO IN L/R 端子に入力した音声信号を出力します。他のモニターや映像機器の音声信号入力端子と接続します。

⑥ サービス用端子 (ミニ DIN8 ピン)

サービス担当者が使用します。

左コネクターパネル



① MONITOR OUT AUDIO (L/R) (音声出力) 端子 (ピンジャック)

AUDIO IN 端子に入力した音声信号を出力します。オーディオアンプ (別売り) の音声信号入力端子と接続します。

ご注意

この端子は可変出力です。出力レベルを500 mVrmsにする場合は、音量を最大に設定してください。

② CONTROL S IN/OUT (コントロールS信号入/出力) 端子 (ミニジャック)

ビデオ機器や他のモニターのCONTROL S端子に接続すると、1台のリモートコンマnderで複数の機器を操作できます。

本機のCONTROL S OUT 端子と他の機器のCONTROL S IN 端子と接続します。

ご注意

- CONTROL S IN 端子にケーブルが接続されているときは、リモートコンマnderから操作することはできません。
- ステレオミニプラグのご使用も可能です。

③ SPEAKERS L/R (スピーカー 左/右) 端子

インピーダンスが6 ~ 16 Ωのスピーカーを接続します。

ご注意

1組のスピーカーを、お手持ちのアンプと本機の両方へ接続しないでください。スピーカーコードを通じてアンプから過大な電流が流れることがあり、本機の故障の原因となります。

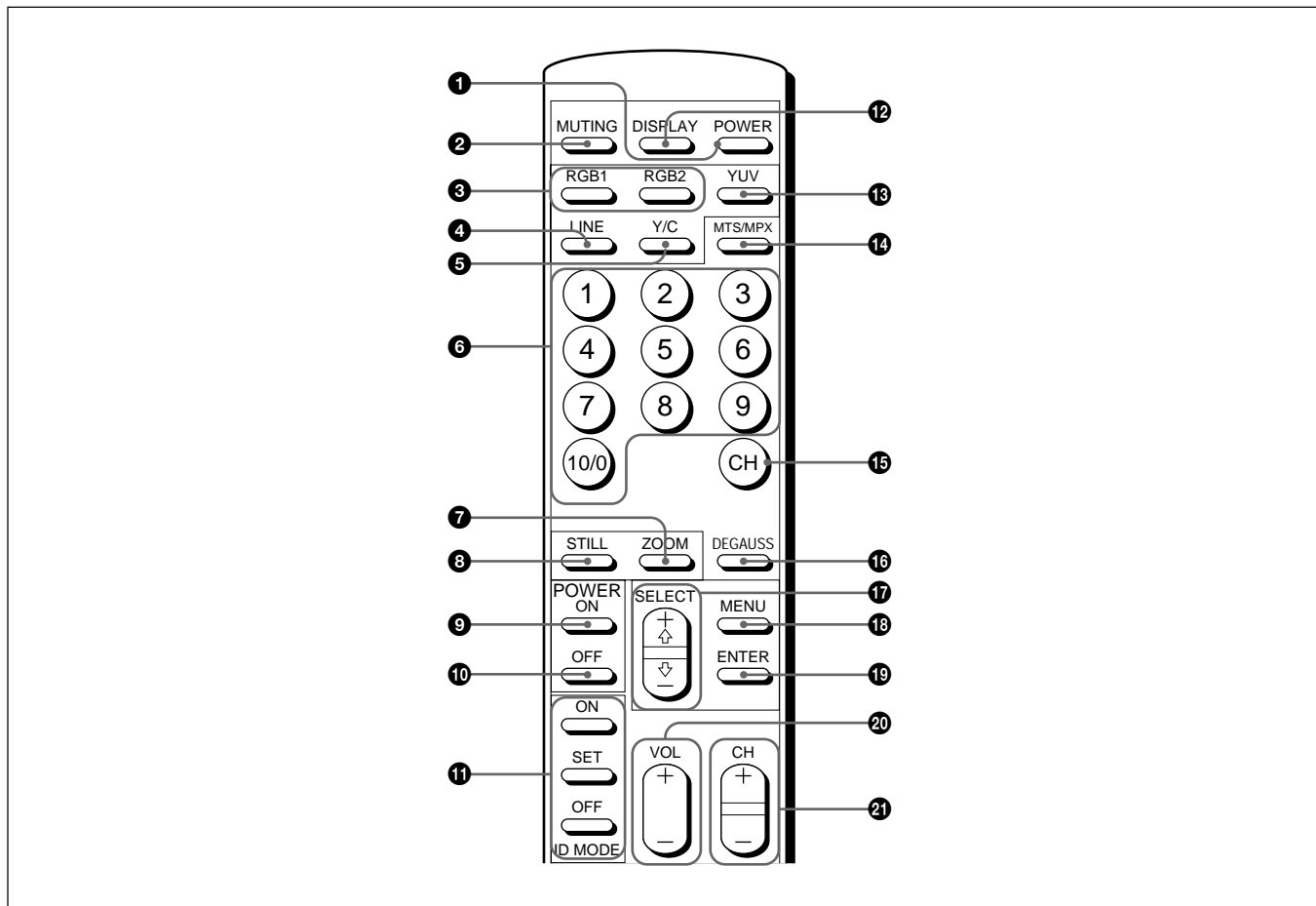
④ SERVICE CODE (サービスコード) インジケーター

サービス担当者が使用します。

⑤ ~AC IN (電源入力) 端子

付属の電源コードを使用して、AC 電源に接続します。AC 電源に接続すると、⏻ (スタンバイ) インジケーターが赤色に点灯し、本機はスタンバイ状態になります。

リモートコマンダー RM-921



① POWER (電源)スイッチ

押すと電源が入ります。もう1度押すとスタンバイ状態になります。

ご注意

複数のモニターを使用しているときは、電源の入っているモニターはスタンバイ状態になり、スタンバイ状態になっているモニターは電源が入ります。

② MUTINGボタン

音声を消すときに使用します。再び音声を出すときは、もう1度MUTINGボタンを押すか、VOL + / - ボタンを押します。

③ RGB1/RGB2 ボタン

RGB1またはRGB2端子に接続した機器の入力信号を選びます。

④ LINEボタン

LINE端子のVIDEO入力端子に接続した機器の入力信号を選びます。

⑤ Y/C ボタン

LINE端子のY/C入力端子に接続した機器の入力信号を選びます。

⑥ 数字ボタン

インデックスナンバーを入力するときに使用します。

⑦ ZOOMボタン

画像の大きさを拡大します。押すたびに画像の大きさを2倍、3倍、4倍、1倍の順に拡大して表示することができます。

⑧ STILLボタン

画像を静止させます。もう1度押すと解除されます。

⑨ POWER ONスイッチ

押すと電源が入ります。複数のモニターを使用しているとき、POWER スイッチ①の代わりに使うと、誤動作を防ぐことができます。

⑩ POWER OFFスイッチ

押すとスタンバイモードに戻ります。複数のモニターを使用しているとき、POWER スイッチ⑩の代わりに使うと、誤動作を防ぐことができます。

⑪ ID MODE (ON/SET/OFF) ボタン

ONボタンを押すとインデックスナンバーが画面に表示されます。数字ボタンで、操作したいモニターのインデックスナンバーを入力しSETボタンを押します。OFFボタンを押すと、通常の画面に戻ります。

⑫ DISPLAYボタン

入力されている信号の種類を画面上部に表示します。もう1度押すと表示は消えます。

⑬ YUVボタン

RGB1端子に接続した機器の入力信号がコンポーネント信号の場合に押します。

⑭ MTS/MPXボタン

本機では使用しません。

⑮ CHボタン

本機では使用しません。

⑯ DEGAUSS (消磁) ボタン

本機では使用しません。

⑰ SELECT (選択) + ↑/ - ↓ボタン

メニューでカーソル(▶)を動かしたり、数値などを設定したりするときに使います。

⑱ MENU (メニュー) ボタン

画面にメニューを出すときに使用します。

⑲ ENTER (エンター) ボタン

メニューで、設定した内容を決定するときに押します。

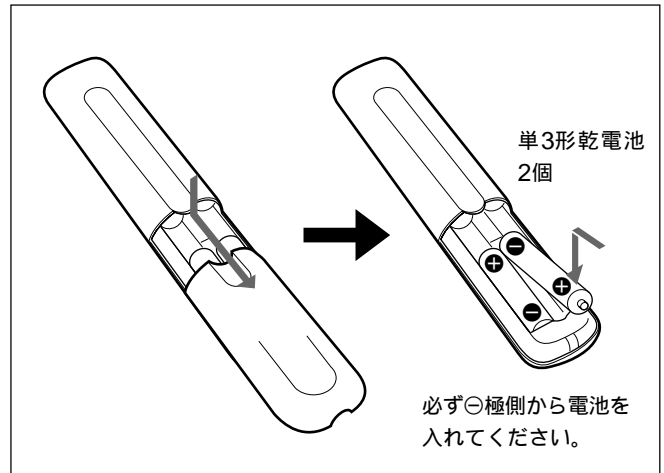
⑳ VOL (音量) + / - ボタン

+を押すと音量が大きくなり、-を押すと小さくなります。

㉑ CH + / - ボタン

本機では使用しません。

電池の入れかた



電池の寿命は、通常の使用で約6か月です。リモートコマンダー操作が効かなくなり始めたら寿命ですので、新しい電池とお取り換えください。

リモートコマンダーで操作できないときは、(スタンバイ)インジケータが点灯しているかどうか確認してください。

モニター本体の電源が入っているとき、スタンバイモードのときのみリモートコマンダーで操作できます。

ご注意

モニターの側面のCONTROL SIN端子にケーブルが接続されているときは、リモートコマンダーから操作することはできません。

乾電池使用上のご注意

乾電池の使いかたを誤ると、液もれや破裂のおそれがあります。
必ず、次のことをお守りください。

- +と-の向きを正しく入れてください。
- 乾電池は充電できません。
- 1か月以上リモートコマンダーを使うことがない場合は、乾電池を取り出しておいてください。
- 万一、リモートコマンダーの中で液もれが起こったときは、中についた液をよく拭きとってから、新しい乾電池を入れてください。

リモートコマンダー取り扱い上のご注意

- 落としたり、踏みつけたり、中に液体をこぼしたりしないよう、ていねいに扱ってください。
- 直射日光が当たるところ、暖房器具のそばの温度が高いところ、湿気が多いところには置かないでください。
- モニター本体のリモコン受光部に、直射日光や照明器具の強い光が当たらないようにしてください。リモートコマンダーで操作できなくなる場合があります。
- モニターを操作するために必要なボタンがついていますので、紛失しないようにしてください。

⚠ 警告



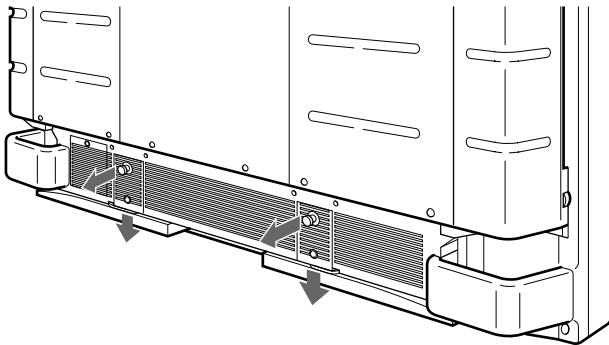
強制

不確実な設置を行うと、モニターが転倒して、けがや火災・感電の原因となります。設置の際は、以下の注意事項を必ずお守りください。

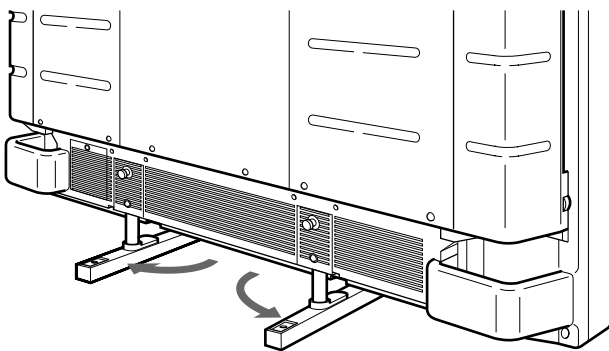
- 以下の手順に従って収納式スタンドを確実に固定してください。
- 壁面・天井・台上への設置、または転倒防止のためモニターを固定するなど、特殊な設置を行う場合には、必ずお買い上げ店に工事を依頼してください。

収納式スタンドの使いかた

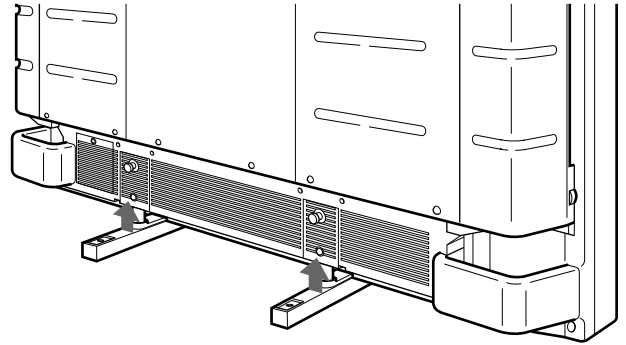
1 つまみを引き出して、収納式スタンドを下におろす。



2 左右の収納式スタンドをそれぞれ外側に回す。

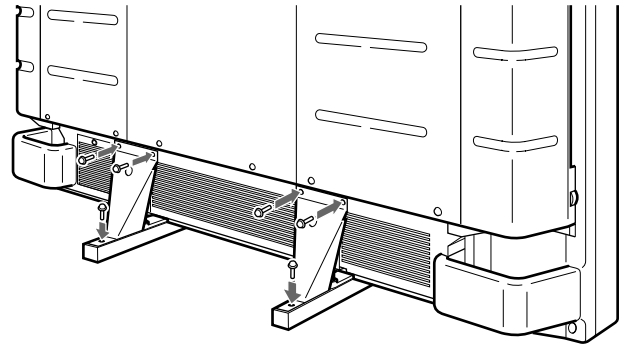


3 カチッという音がするまで収納式スタンドを上上げる。



収納式スタンドを固定するには

収納式スタンド固定用金具は下図のように取り付けてください。



⚠ 警告

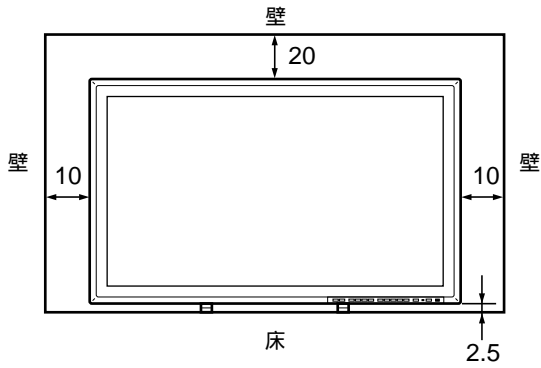
転倒防止については、必ずお買い上げ店にご依頼ください。

使用上のご注意

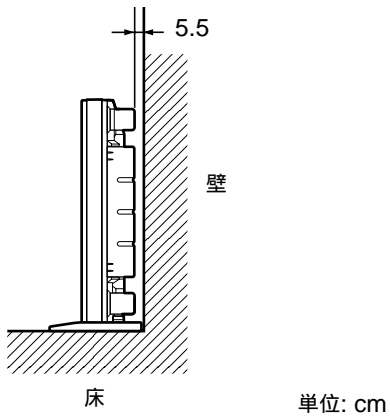
- 本機を設置する際は、内部の温度上昇を防ぐため壁や天井との間に以下に示す以上の距離をあけてください(下図参照)
- 設置場所の周囲は0 ~ +35 の範囲でご使用ください。

収納式スタンドを使用する場合

前面



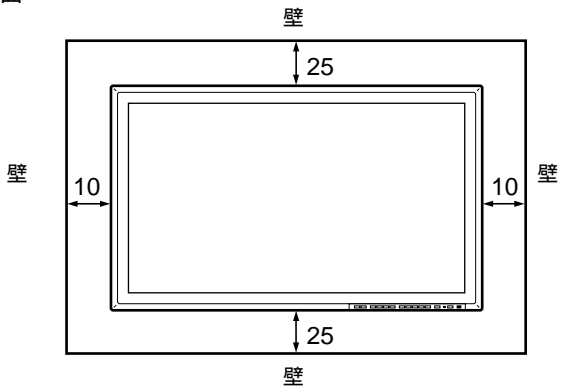
側面



単位: cm

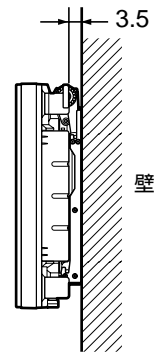
壁かけブラケットを使用する場合

前面



単位: cm

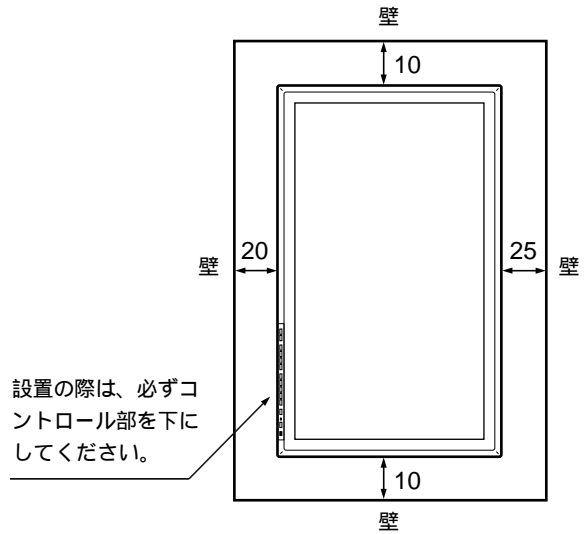
側面



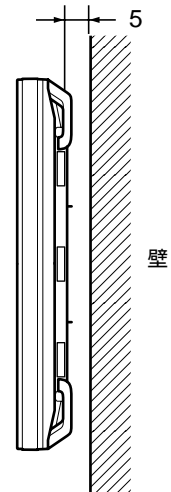
単位: cm

縦向きにして壁に掛ける場合

前面

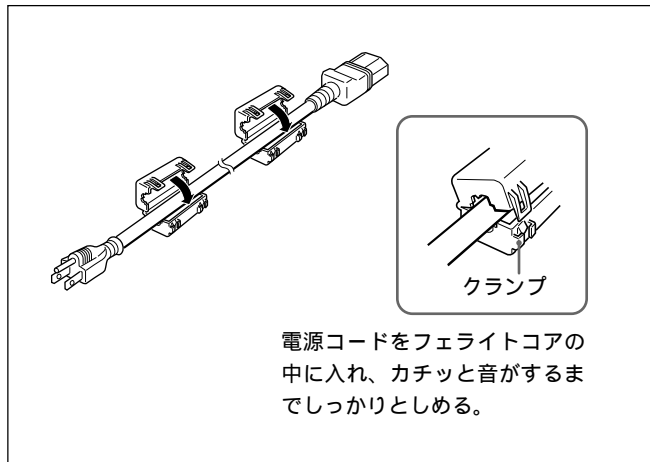


側面



電源コードの接続

フェライトコアの取り付けかた

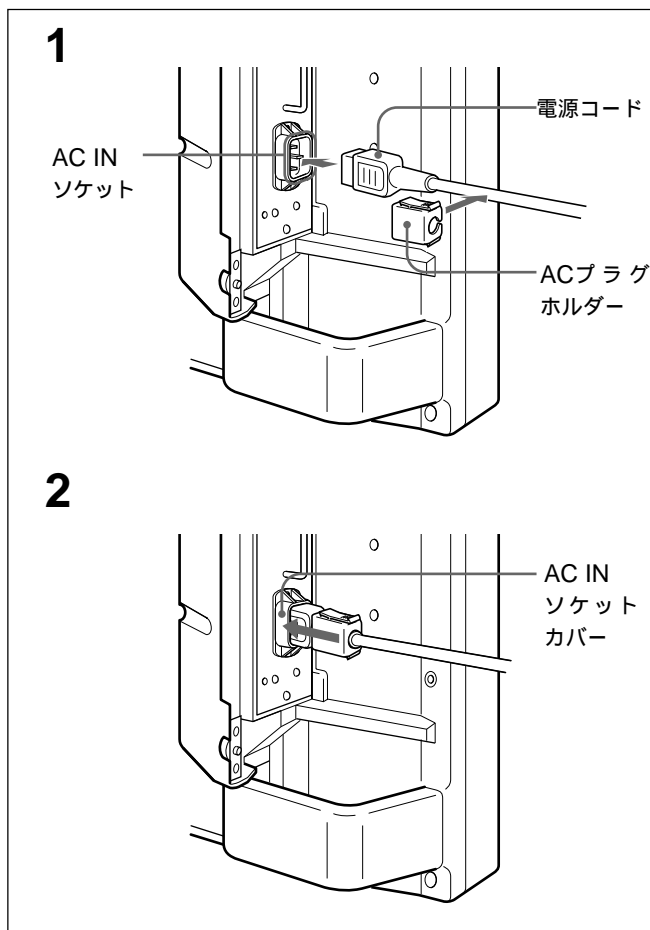


ご注意

電源コードをモニター本体に取り付ける前に、電波障害防止のためのフェライトコア(付属)を電源コードの両端に取り付けてください。

左図のように取り付けます。

電源コードの取り付けかた



1 電源コードを側面のAC INソケットに差し込み、ACプラグホルダー(付属)を電源コードに取り付ける。

2 ACプラグホルダーをスライドさせて、本体側のAC INソケットカバーにはめ込む。

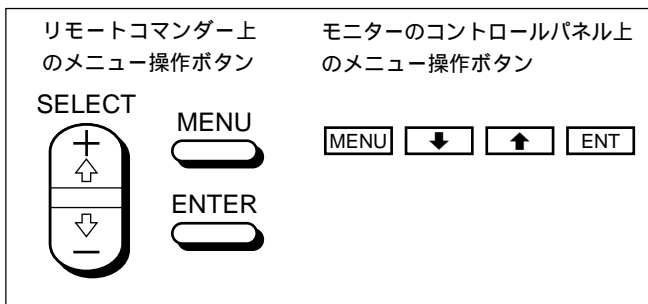
電源コードをはずすには
ACプラグホルダーを上下からはさんで引き抜きます。

メニューで行う調整と設定

メニューの操作

メニュー操作ボタン

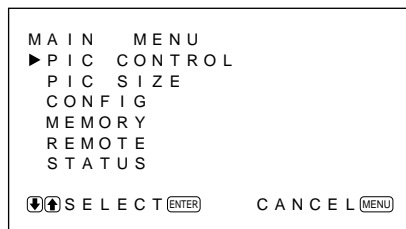
メニューは、リモートコンマnderまたはモニター本体のコントロールパネルのメニュー操作ボタンを使って操作します。



この取扱説明書では、本体のボタンを使って操作の説明をしています。リモートコンマnderのENTERボタンは本体のENTボタンと、SELECT + ↑ / ↓ボタンは↑ / ↓ボタンと同じ動きをします。

メニューの操作方法

- 1 MENUボタンを押す。
メインメニューが表示されます。



- 2 ↑ / ↓ ボタンでカーソル(▶)を動かして、次に表示するメニューを決め、ENTボタンを押す。
メニューが表示されます。
- 3 ↑ / ↓ ボタンでカーソル(▶)を動かして、設定する項目を決め、ENTボタンを押す。
それぞれの項目の設定画面が表示されます。
- 4 ↑ / ↓ ボタンで設定や調整値を選び、ENTボタンを押す。
設定が決まり、元のメニューに戻ります。

通常の画面に戻るには、メニューが消えるまでMENUボタンを繰り返し押します。

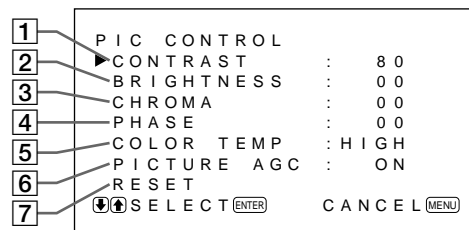
メニューの説明

ご注意

入力信号によって設定や調整ができない項目は「 」が表示されます。

PIC CONTROLメニュー

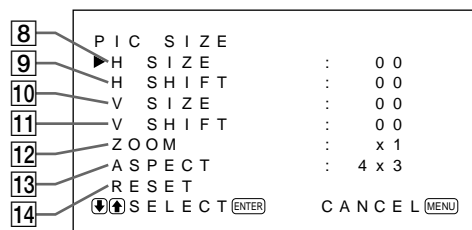
画像を信号処理により調整するメニューです。



- 1 CONTRAST (コントラスト)
↑を押すとコントラストが強くなり、↓を押すと弱くなります。
- 2 BRIGHTNESS (明るさ)
↑を押すと画面が明るくなり、↓を押すと暗くなります。
- 3 CHROMA (色の濃さ)
↑を押すと画像の色が濃くなり、↓を押すと薄くなります。
- 4 PHASE (色相)
↑を押すと肌色が緑がかり、↓を押すと紫がかります。
- 5 COLOR TEMP (色温度)
HIGH (6500K) または LOW (約5500K) のどちらか希望する色温度を選びます。
- 6 PICTURE AGC (ピクチャーAGC)
ONにすると、低輝度信号入力時、自動的にコントラストを上げ、明暗を強調します。
ピクチャーAGCについて詳しくは、「画像のコントラストを強調する(ピクチャーAGC機能)」(29(J)ページ)をご覧ください。
- 7 RESET (リセット)
PIC CONTROLメニューの1 ~ 6の調整値を出荷時の値に戻します。
リセット機能について詳しくは、「調整した画像を出荷時の設定値に戻す」(30(J)ページ)をご覧ください。

PIC SIZEメニュー

画像の位置やサイズを調整するメニューです。



8 H SIZE (水平サイズ)

水平方向に画像の大きさを調整します。↑を押すと大きくなり、↓を押すと小さくなります。

9 H SHIFT (水平シフト)

水平方向の画像位置を調整します。↑を押すと右に移動し、↓を押すと左に移動します。

10 V SIZE (垂直サイズ)

垂直方向の画像の大きさを調整します。↑を押すと大きくなり、↓を押すと小さくなります。

11 V SHIFT (垂直シフト)

垂直方向に画像位置を調整します。↑を押すと上に移動し、↓を押すと下に移動します。

12 ZOOM (ズーム)

画像を2倍、3倍、4倍に拡大します。

13 ASPECT (アスペクト)

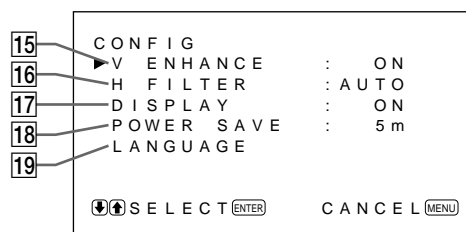
画像の縦横比を4×3(4対3)と16×9(16対9)から選びます。

14 RESET (リセット)

PIC SIZEメニューの8～13の調整値を出荷時の値に戻します。リセット機能について詳しくは、「画像のサイズと位置を出荷時の設定値に戻す」(32(J)ページ)をご覧ください。

CONFIGメニュー

入力信号を特殊機能により調整したり、メニュー表示の言語を選んだりするメニューです。



15 V ENHANCE (垂直鮮鋭度)

通常はONにして使用します。

ONにすると、画像の垂直方向がくっきりします。

16 H FILTER (水平フィルター)

通常はAUTOにして使用します。

画像にリングングが目立つときHIGHにすると、フィルターの周波数を上げることにより、リングングが減ります。モアレやノイズが目立つときLOWにすると、画面は少しぼやけた感じになりますが、モアレやノイズが減ります。

17 DISPLAY (画面表示)

ONにすると、モニターの電源投入時や入力信号が切り換わったとき、入力されている信号の種類を約5秒間画面上部に表示します。

18 POWER SAVE (パワーセービング)

パワーセービングモードに入るまでの時間を設定します。

パワーセービング機能について詳しくは、「信号が入力されないとき電源を自動的に切る(パワーセービング機能)」(35(J)ページ)をご覧ください。

19 LANGUAGE (表示言語)

メニューに表示する言語を英語、ドイツ語、フランス語、イタリア語、スペイン語から選びます。

言語の設定について詳しくは、「メニュー表示の言語を選ぶ」(36(J)ページ)をご覧ください。

MEMORYメニュー

PIC CONTROLメニューとPIC SIZEメニュー、CONFIGメニュー(V ENHANCE、H FILTERのみ)の調整値をMEM1～5のメモリに保存したり、呼び出したりするメニューです。



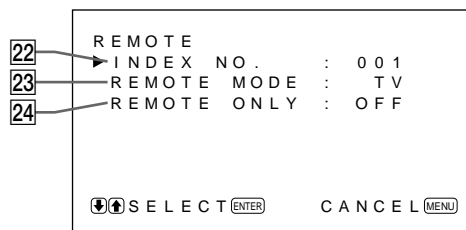
メモリー機能について詳しくは、「メモリーを使う」(33(J)ページ)をご覧ください。

20 LOAD(メモリーロード)
保存した調整値を呼び出します。

21 SAVE(メモリーセーブ)
調整値を保存します。

REMOTEメニュー

リモートコンマnderの操作に関する設定を行うメニューです。



22 INDEX NO.(インデックスナンバー)
モニター本体のインデックスナンバーを設定します。

ご注意

この項目を設定する場合は、モニター本体のボタンを使用してください。

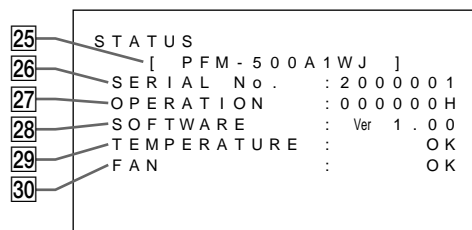
インデックスナンバーの詳細については、「特定のモニターをリモートコンマnderで操作する」(37(J)ページ)をご覧ください。

23 REMOTE MODE(リモートモード)
リモートコンマnderのモードを切り換えます。
TV: モニターまたはTVに付属しているリモートコンマnderから操作するとき
PJ: 業務用プロジェクターに付属しているリモートコンマnderから操作するとき
OFF: リモートコンマnderから操作しないとき(リモートコンマnderからは操作できなくなります。)
使用できるリモートコンマnderや操作について詳しくは、「他のリモートコンマnderから操作する」(38(J)ページ)をご覧ください。

24 REMOTE ONLY(リモートオンリー)
「REMOTE ONLY」をONにすると、モニター本体のボタンが効かなくなり、モニターの操作はリモートコンマnderでのみ行えるようになります。「REMOTE ONLY」がONのときは、モニター本体の各ボタンは点灯しません。
REMOTE ONLY モードを解除するには、リモートコンマnderで「REMOTE ONLY」をOFFにするか、モニター本体の⏻(スタンバイ)スイッチを押したままCTRLボタンを押してください。スタンバイ状態になり、REMOTE ONLY モードが解除されます。
AC電源コードを抜いたり、リモートコンマnderで電源を入/切してもREMOTE ONLY モードは解除できません。

STATUSメニュー

モニター本体の内部状態を表示するメニューです。



25 機種名

機種名を表示します。

26 SERIAL No.(シリアルナンバー)

シリアル番号を表示します。

27 OPERATION(操作時間)

電源を入れていた累積通電時間を1時間単位で表示します。

ご注意

スタンバイ状態はOPERATION時間に含まれません。

28 SOFTWARE(ソフトウェアバージョン)

システムソフトウェアのバージョンを表示します。

29 TEMPERATURE(内部温度)

モニターの内部温度が正常かどうかを表示します。

OK: 正常時

NG: 異常時

異常時にはNG表示となり、項目が赤色で点滅します。このとき、コントロールパネルの⏻(スタンバイ)インジケータも点滅します。

ご注意

通風孔がふさがれたり、風通しの悪い状態で使用していると、「TEMPERATURE NG」という警告が出ることがあります。この場合は、通風孔がふさがれていないか確認し、風通しをよくしてみてください。表示がOKになればそのままご使用いただけます。風通しをよくしてもNG表示になる場合は、お買い上げ店、またはソニーのサービス窓口にご連絡ください。

⏻(スタンバイ)インジケータが点滅したり、NG表示になったときは、「自己診断機能」(36(J)ページ)をご覧ください。

30 FAN

本機には、冷却用ファンが内蔵されています。ファンが正常に動いているかどうかを表示します。

OK: 正常時

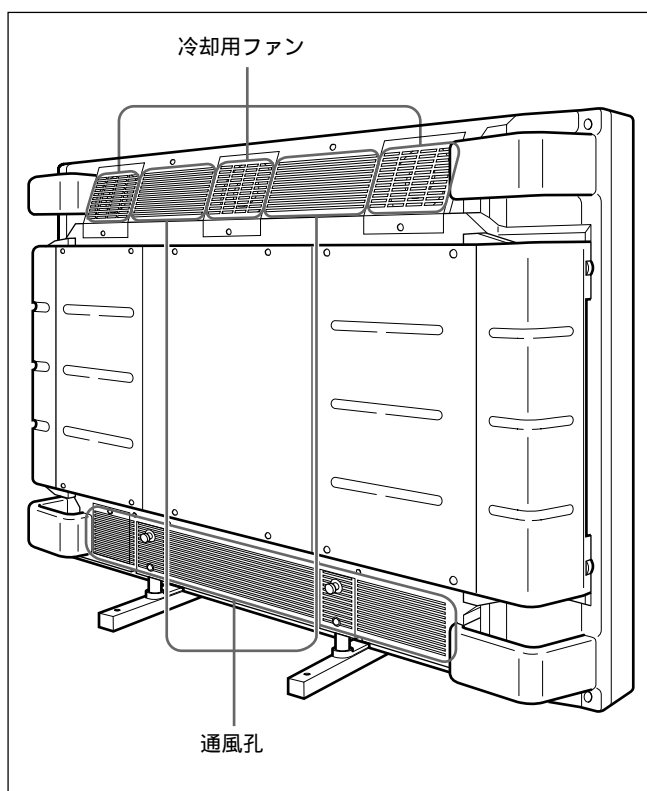
NG: 異常時

このファンが何らかの異常により停止したときは、NG表示となり、項目が赤色で点滅します。このとき、コントロールパネルの⏻(スタンバイ)インジケータも点滅します。

ご注意

「FAN NG」という警告が出た場合は、お買い上げ店、またはソニーのサービス窓口にご連絡ください。

⏻(スタンバイ)インジケータが点滅したり、NG表示になったときは、「自己診断機能」(36(J)ページ)をご覧ください。



画像を見る

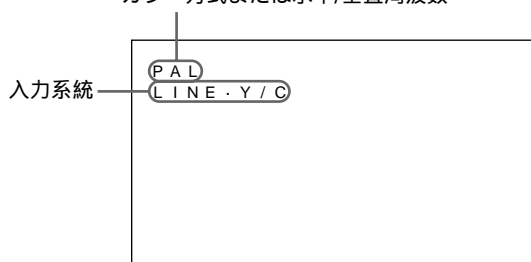
準備

- ・ モニターの電源を入れておきます。
- ・ 接続した機器の電源を入れ、映像ソースを再生します。
- ・ 電源投入時または入力切り換え時に入力信号の種類を画面に表示させたいときは、CONFIGメニューの「DISPLAY」をONにしておきます。
- ・ メニュー表示は英語以外の言語にすることもできます。
詳しくは、「メニュー表示の言語を選ぶ」(36(J)ページ)をご覧ください。

表示画面を切り換える

- 1 コントロールパネルのCTRL ボタンを押す。
RGB1、YUV、RGB2、LINE、Y/C ボタンが点灯します。
- 2 表示したい信号が接続されている入力端子を選ぶ。
RGB1: RGB1 端子に接続した機器の入力信号 (RGB 信号) を選ぶ場合。
YUV: RGB1 端子に接続した機器の入力信号 (コンポーネント信号) を選ぶ場合。
RGB2: RGB2 端子に接続した機器の入力信号を選ぶ場合。
LINE: LINE 端子のVIDEO 入力端子に接続した機器の入力信号を選ぶ場合。
Y/C: LINE 端子のY/C 入力端子に接続した機器の入力信号を選ぶ場合。

カラー方式または水平/垂直周波数



選んだ入力信号がモニター画面に表示されます。

モニターに付属しているリモートコンマnderのボタンから入力を切り換えることもできます。

ご注意

モニターへのビデオ入力信号は、TBC(タイムベースコレクター)付きの入力ソース機器からの入力をおすすめします。TBCのついていない信号を入力すると、同期の乱れにより映像が消えることがあります。

画像を静止させる

モニターに付属しているリモートコンマnderのSTILL ボタンで画像を静止させることもできます。

画像を静止させるには、動画を見ているときにSTILL ボタンを押してください。

モニター本体の↑ボタンを押して画像を静止させることもできます。

動画に戻すには

- ・ もう1度リモートコンマnderのSTILL ボタンまたはモニター本体の↑ボタンを押してください。
- ・ 入力を切り換えてください。

ご注意

- ・ メニュー操作時、↑ボタンはメニュー操作ボタンとして働きます。
- ・ 静止画機能動作時、↑/↓ボタンは点滅します。
- ・ CONFIGメニューの「DISPLAY」をONに設定していると、静止画機能動作時、画面右上に「STILL」が表示されます。表示を消すときは、「DISPLAY」をOFFに設定してください。

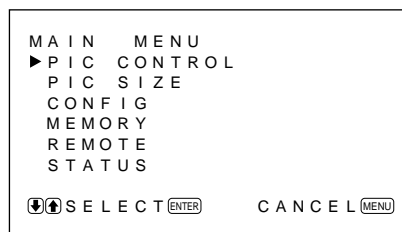
入力信号の情報とモニターの設定状態の表示について

電源投入時または入力切り換え時に、入力信号の情報が約5秒間表示されます。

情報を画面に表示しないようにするときは、下記の操作にしたがって設定してください。

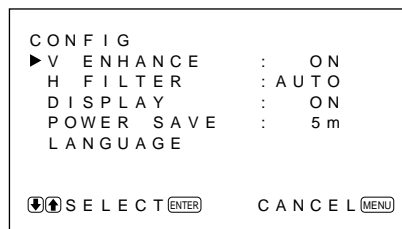
- 1 MENU ボタンを押す。

メインメニューが表示されます。



- 2 ↑/↓ボタンでCONFIGメニューを選び、ENTボタンを押す。

CONFIGメニューが表示されます。



(続く)

- 3** ↑/↓ ボタンで「DISPLAY」を選び、ENT ボタンを押す。
以下の画面が表示されます。



- 4** ↑ ボタンを押して、「DISPLAY」をOFFにし、ENT ボタンを押す。
画面上部に入力信号の情報が表示されない設定になります。

画面表示を動作させるには
手順4で「DISPLAY」をONにします。
(工場出荷時はONに設定されています。)

ご注意

本機に付属しているリモートコンマnderのDISPLAYボタンを押して、いつでも必要なときに入力信号の情報を表示することもできます。

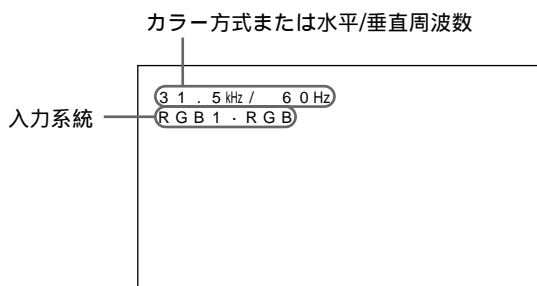
信号名称	カラー方式または水平/垂直周波数表示	
NTSC	NTSC	
PAL	PAL	
VGA ^{a)} グラフィックス	31.5 kHz	60 Hz
VGA テキスト	31.5 kHz	70 Hz
HDTV	33.8 kHz	60 Hz
Mac ^{b)} 13" モード	35.0 kHz	67 Hz
VESA ^{c)} 800 × 600	37.9 kHz	60 Hz
VESA 1024 × 768	48.4 kHz	60 Hz
Mac 16" モード	49.7 kHz	75 Hz
ATI ^{d)} 1280 × 1024	64.0 kHz	60 Hz
Mac 21" モード	68.7 kHz	75 Hz
VESA 1280 × 1024	80.0 kHz	75 Hz

- a) VGAは米国 International Business Machines Corporation の登録商標です。
b) Mac (Macintosh) は Apple Computer, Inc の登録商標です。
c) VESA は Video Electronics Standards Association の登録商標です。
d) ATI は ATI Technologies, Inc の登録商標です。

ご注意

HDTV信号を入力する場合、同期信号は3値同期信号をG/Y IN 端子に入力してください。

画面表示一覧



入力信号/モニター設定情報の画面表示

画面表示	意味
31.5kHz / 60Hz (例)	コンピューター信号が入力されています。
525 / 60 (例)	RGBまたはコンポーネント信号が入力されています。
NTSC	NTSC 信号が入力されています。
PAL	PAL 信号が入力されています。
OTHERS	受信できない信号が入力されています。
NO SYNC	入力信号がありません。
MUTING	音声にミュートがかかっています。
RGB1 RGB	RGB1 端子の入力モードはRGB です。
RGB1 YUV	RGB1 端子の入力モードはコンポーネントビデオです。
LINE COMP	LINE 端子のVIDEO 入力を選択されています。
LINE Y/C	LINE 端子のY/C 入力を選択されています。
STILL	静止画モードになっています。

画像を調整する

画像を見ながら、コントラスト、画像の明るさ(ブライトネス)、色の濃さ(クロマ)、色相(フェーズ)を調整することができます。また、入力信号ごとに調整を行い、調整値をメモリーすることができます。

コントラスト、画像の明るさ、色の濃さ、色相を調整する

MENU ボタンを押してメインメニューを表示し、PIC CONTROL メニューから調整したい項目に応じて、「CONTRAST」、「BRIGHTNESS」、「CHROMA」、「PHASE」を↑/↓ボタンで選びます。

コントラスト

↑/↓ボタンで「CONTRAST」を選び、ENT ボタンを押し、↑/↓ボタンでコントラストを調整します。

MIN(0) ~ MAX(+100)の範囲で設定できます。

- ↑: コントラストが強くなる
- ↓: コントラストが弱くなる

画像の明るさ(ブライトネス)

↑/↓ボタンで「BRIGHTNESS」を選び、ENT ボタンを押し、↑/↓ボタンで画像の明るさを調整します。

MIN(-50) ~ MAX(+50)の範囲で設定できます。

- ↑: 画像が明るくなる
- ↓: 画像が暗くなる

色の濃さ(クロマ)

↑/↓ボタンで「CHROMA」を選び、ENT ボタンを押し、↑/↓ボタンでクロマを調整します。

MIN(-50) ~ MAX(+50)の範囲で設定できます。

- ↑: 色が濃くなる
- ↓: 色が薄くなる

色相(フェーズ)

↑/↓ボタンで「PHASE」を選び、ENT ボタンを押し、↑/↓ボタンで色相を調整します。

MIN(-50) ~ MAX(+50)の範囲で設定できます。

- ↑: 肌色が緑がかる
- ↓: 肌色が紫がかる

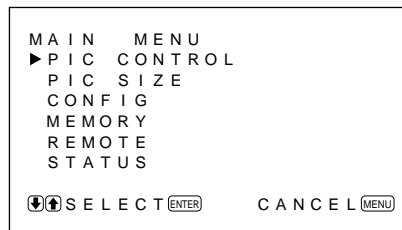
ご注意

- RGB信号を入力している場合、色相と色の濃さは調整できません。
- コンポーネント信号を入力している場合、色相は調整できません。
- PAL方式の入力信号の場合、色相は調整できません。
- NTSC、PAL方式以外のカラーおよび白黒信号を入力しているときは、「CHROMA」と「PHASE」(NTSCのみ)は調整しないでください。
NTSC、PAL以外の信号でこれらの調整をしても画像に変化はありませんが、次にNTSC、PAL信号を入力したときの画像に影響を与えます。

画像のコントラストを強調する(ピクチャーAGC機能)

映像の平均輝度が低い場合、自動的にコントラストを上げ、明暗を強調した画像にすることができます。
暗い映像ソースなどを表示するときに有効です。

- 1 MENU ボタンを押す。
メインメニューが表示されます。



(続く)

- 2** ↑/↓ボタンでPIC CONTROLメニューを選び、ENTボタンを押す。

PIC CONTROLメニューが表示されます。

```
PIC CONTROL
▶CONTRAST      : 80
BRIGHTNESS    : 00
CHROMA        : 00
PHASE         : 00
COLOR TEMP    : HIGH
PICTURE AGC   : ON
RESET
SELECT(ENTER)  CANCEL(MENU)
```

- 3** ↑/↓ボタンで「PICTURE AGC」を選び、ENTボタンを押す。

以下の画面が表示されます。

```
PICTURE AGC : OFF
```

- 4** ↑/↓ボタンを押して、「PICTURE AGC」をONにする。

- 5** ENTボタンを押す。

PIC CONTROLメニューに戻ります。

調整した画像を出荷時の設定値に戻す

- 1** PIC CONTROLメニューから、↑/↓ボタンで「RESET」を選び、ENTボタンを押す。

以下の画面が表示されます。

```
RESET : NO
SELECT(ENTER)  CANCEL(MENU)
```

- 2** ↑/↓ボタンを押す。

表示がYESに変わります。

```
RESET : YES
SELECT(ENTER)  CANCEL(MENU)
```

- 3** ENTボタンを押す。

PIC CONTROLメニューの項目が工場出荷時の設定値に戻ります。

リセットを中止するには
ENTボタンを押す前にMENUボタンを押してください。

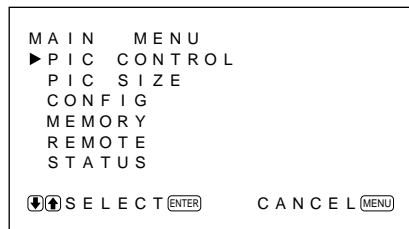
画像を拡大したり、位置やサイズを調整する

画像の大きさや位置がモニター画面に合っていないときは、位置を調整したり、縦・横方向に画像のサイズを変えることができます。

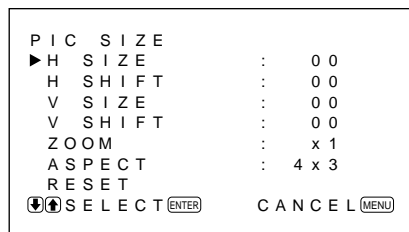
また、画像の大きさを2倍、3倍、4倍に拡大して表示することができます。

画像のサイズを変える

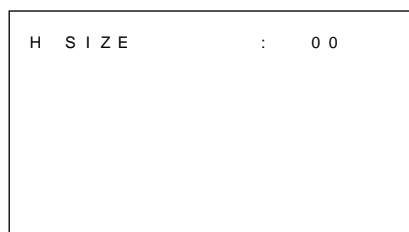
- 1 MENU ボタンを押す。
メインメニューが表示されます。



- 2 ↑/↓ ボタンで PIC SIZE メニューを選び、ENT ボタンを押す。
PIC SIZE メニューが表示されます。



- 3 ↑/↓ ボタンで「H SIZE」を選び、ENT ボタンを押す。
以下の画面が表示されます。



- 4 ↑/↓ ボタンで水平方向のサイズを調整する。
↑: 水平方向のサイズを大きくします
↓: 水平方向のサイズを小さくします
画像の水平方向のサイズは、画面上に MIN(- 50) ~ MAX(+ 50) の調整値で表示されます。工場出荷時は 00(標準位置) に設定されています。

- 5 ENT ボタンを押す。
PIC SIZE メニューに戻ります。

- 6 ↑/↓ ボタンで「V SIZE」を選び、ENT ボタンを押す。
以下の画面が表示されます。



- 7 ↑/↓ ボタンで垂直方向のサイズを調整し、ENT ボタンを押す。
↑: 垂直方向のサイズを大きくします
↓: 垂直方向のサイズを小さくします
画像の垂直方向のサイズは、画面上に MIN(- 50) ~ MAX(+ 50) の調整値で表示されます。工場出荷時は 00(標準位置) に設定されています。

- 8 ENT ボタンを押す。
PIC SIZE メニューに戻ります。

画像の位置を調整する

- 1 PIC SIZE メニューから、↑/↓ ボタンで「H SHIFT」を選び、ENT ボタンを押す。
以下の画面が表示されます。



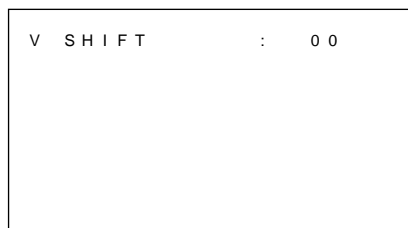
- 2 ↑/↓ ボタンで画像を動かす。
↑: 画像が右に動きます
↓: 画像が左に動きます
画像の位置は、画面上に MIN(- 50) ~ MAX(+ 50) の調整値で表示されます。工場出荷時は 00(標準位置) に設定されています。

(続く)

画像を拡大したり、位置やサイズを調整する

- 3 ENT ボタンを押す。
PIC SIZE メニューに戻ります。

- 4 ↑/↓ ボタンで「V SHIFT」を選び、ENT ボタンを押す。
以下の画面が表示されます。



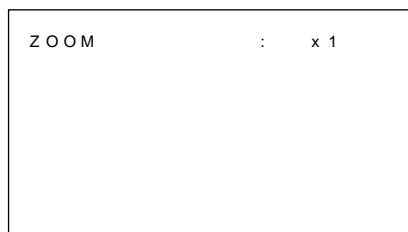
- 5 ↑/↓ ボタンで画像を動かし、ENT ボタンを押す。
↑: 画像が上に動きます
↓: 画像が下に動きます
画像の位置は、画面上に MIN(- 50) ~ MAX(+ 50) の調整値で表示されます。工場出荷時は 00(標準位置) に設定されています。

- 6 ENT ボタンを押す。
PIC SIZE メニューに戻ります。

画像を拡大する(ズーム機能)

本機に付属しているリモートコマンドの ZOOM ボタンからズームを調整することもできます。

- 1 PIC SIZE メニューから、↑/↓ ボタンで「ZOOM」を選び、ENT ボタンを押す。
以下の画面が表示されます。

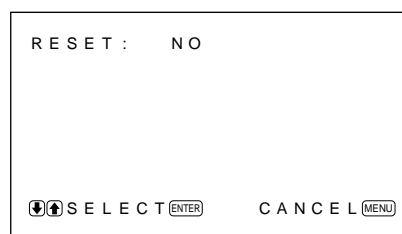


- 2 ↑/↓ ボタンで画像の大きさを選ぶ。
× 1: もとの大きさの画像になります
× 2: 画像が2倍に拡大されます
× 3: 画像が3倍に拡大されます
× 4: 画像が4倍に拡大されます

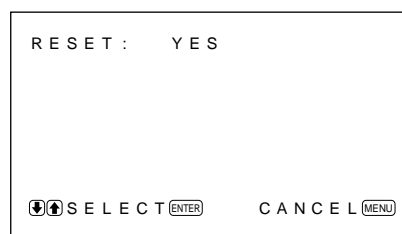
- 3 ENT ボタンを押す。
PIC SIZE メニューに戻ります。

画像のサイズと位置を出荷時の設定値に戻す

- 1 PIC SIZE メニューから、↑/↓ ボタンで「RESET」を選び、ENT ボタンを押す。
以下の画面が表示されます。



- 2 ↑/↓ ボタンを押す。
表示が YES に変わります。



- 3 ENT ボタンを押す。
PIC SIZE メニューの項目が工場出荷時の設定値に戻ります。

リセットを中止するには
ENT ボタンを押す前に MENU ボタンを押してください。

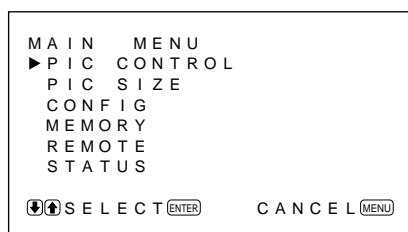
メモリーを使う

ある入力ソースからの映像がうまく表示されるように調整したら、その調整値をメモリーに保存しておくことができます。PIC CONTROLメニューとPIC SIZEメニュー、CONFIGメニュー(V ENHANCE、H FILTERのみ)の調整値をMEM1～5のメモリーに保存できます。

複数の調整状態をすばやく切り換えられるので便利です。

現在の調整状態をメモリーする

- 1 MENU ボタンを押す。
メインメニューが表示されます。

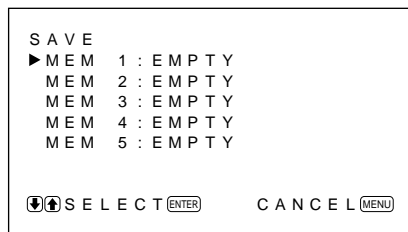


- 2 ↑/↓ ボタンで MEMORY メニューを選び、ENT ボタンを押す。

MEMORY メニューが表示されます。

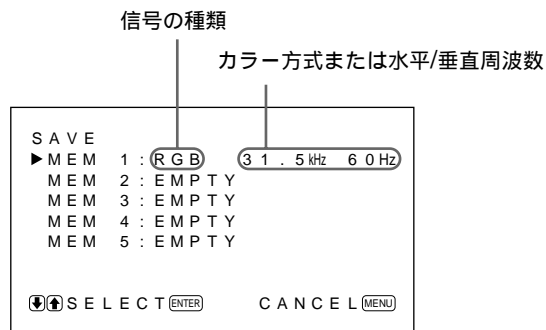


- 3 ↑/↓ ボタンで「SAVE」を選び、ENT ボタンを押す。
以下の画面が表示されます。



- 4 ↑/↓ ボタンで設定を保存したいメモリーナンバー (MEM1～5) を選び、ENT ボタンを押す。

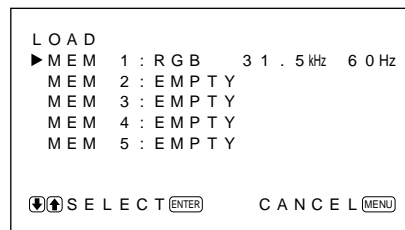
「COMPLETED」というメッセージが約5秒間表示されます。選んだメモリーナンバーに現在の調整値が保存され、信号の種類とカラー方式または水平/垂直周波数が画面の右側に表示されます。



メモリーした設定値を呼び出す

- 1 MEMORY メニューから、↑/↓ ボタンで「LOAD」を選び、ENT ボタンを押す。

以下の画面が表示されます。



- 2 ↑/↓ ボタンで設定を呼び出したいメモリーナンバー (MEM1～5) を選び、ENT ボタンを押す。

「COMPLETED」というメッセージが約5秒間表示され、画像が保存されていた調整値に設定されます。

ご注意

- 入力信号の種類が違くと、設定した調整値を呼び出すことはできません。
- メモリーできる項目は以下のとおりです。

PIC CONTROLメニュー

CONTRAST
BRIGHTNESS
CHROMA
PHASE
COLOR TEMP
PICTURE AGC

PIC SIZEメニュー

H SIZE
H SHIFT
V SIZE
V SHIFT
ZOOM
ASPECT

CONFIGメニュー

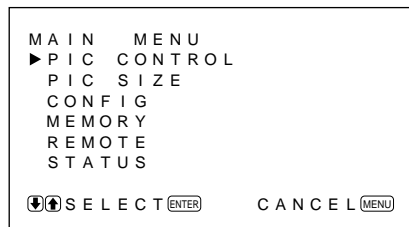
V ENHANCE
H FILTER

信号が入力されないとき電源を自動的に切る (パワーセービング機能)

RGB1またはRGB2端子に外部同期信号が入力されているとき、本機に信号が入力されない状態が続くと、電源を自動的に切るように設定することができます。(パワーセービング機能)

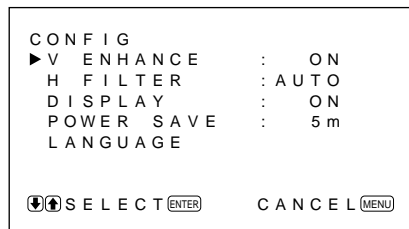
1 MENU ボタンを押す。

メインメニューが表示されます。



2 ↑/↓ボタンでCONFIGメニューを選び、ENTボタンを押す。

CONFIGメニューが表示されます。



3 ↑/↓ボタンで「POWER SAVE」を選び、ENTボタンを押す。

以下の画面が表示されます。



4 ↑/↓ボタンでパワーセービングモードに入るまでの時間を選ぶ。

OFF: パワーセービング機能は働きません。

5 m: 信号が入力されない状態が約5分続くとパワーセービングモードに入ります。

10 m: 信号が入力されない状態が約10分続くとパワーセービングモードに入ります。

パワーセービングモードに入ると、電源インジケータが点滅します。

パワーセービングモードを解除するには

- 再び同期信号が入力されると自動的に電源が入ります。
- コントロールパネルの ⏻ スイッチかリモートコマンドの POWER スイッチを押すと自動的に電源が入ります。

パワーセービング機能を使用できる信号の種類

RGB1: HD/COMP IN端子に同期信号が接続されているとき。

RGB2: RGB 2 IN 端子 (D-sub 15ピンコネクターの13番ピン) に同期信号が入力されているとき。

ご注意

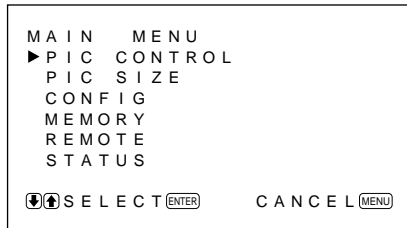
- LINE 端子から信号が入力されているときは、パワーセービング機能は働きません。
- HD/COMP IN 端子に同期信号が接続されていないときは、パワーセービング状態に入った後、信号が再度入力されても電源は自動的に入りません。RGB信号のみを入力して使用するときは、必ず「POWER SAVE」をOFFにしてください。
- RGB 2 IN 端子 (D-sub 15ピンコネクターの13番ピン) に同期信号が接続されていないときは、パワーセービング状態に入った後、信号が再度入力されても電源は自動的に入りません。RGB信号のみを入力して使用するときは、必ず「POWER SAVE」をOFFにしてください。

メニュー表示の言語を選ぶ

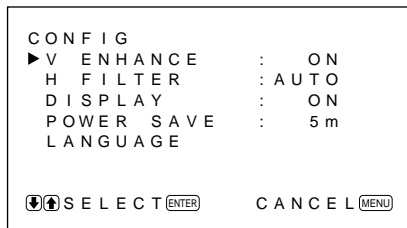
自己診断機能

メニュー表示に使う言語を、英語、ドイツ語、フランス語、イタリア語、スペイン語の5つの言語の中から選ぶことができます。

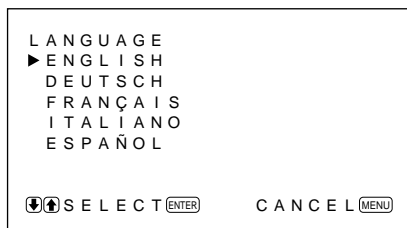
- 1 MENU ボタンを押す。
メインメニューが表示されます。



- 2 ↑/↓ ボタンで CONFIG メニューを選び、ENT ボタンを押す。
CONFIG メニューが表示されます。



- 3 ↑/↓ ボタンで「LANGUAGE」を選び、ENT ボタンを押す。
以下の画面が表示されます。



- 4 ↑/↓ ボタンで表示したい言語を選び、ENT ボタンを押す。
メニュー画面の言語が切り換わります。
ENGLISH: 英語
DEUTSCH: ドイツ語
FRANÇAIS: フランス語
ITALIANO: イタリア語
ESPAÑOL: スペイン語

- 5 MENU ボタンを押す。
CONFIG メニューに戻ります。

本機には自己診断機能が搭載されています。これは本機が正しく動作していないときに、(スランバイ)インジケータの点滅および電源ブロックパネルのSERVICE CODEインジケータに表示される数値によりお知らせする機能です。数値によって本機の状態が分かるようになっています。

本機が正しく動作しているときは、SERVICE CODE インジケータの右下のドットのみが点滅しています。

(スランバイ)インジケータが点滅したら、数値を確認して、お買い上げ店またはソニーサービス窓口にご相談ください。

- 1 電源ブロックパネルのSERVICE CODEインジケータに表示された2桁の数値を確認する。
数値は1種類の場合と、0.5秒間隔で複数の数値がくり返し表示される場合があります。

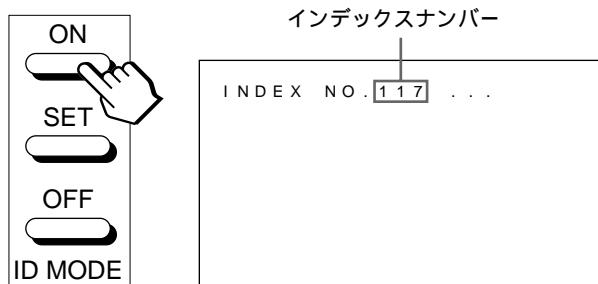
- 2 本機の電源コードを抜く。
お買い上げ店またはソニーサービス窓口の数値をお知らせください。

特定のモニターをリモートコマンダーで操作する

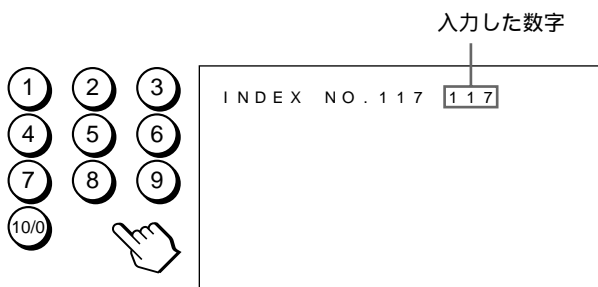
複数のモニターを使用しているとき、インデックスナンバーを指定して、特定のモニターのみを操作することができます。

- 1 リモートコマンダーのID MODE ON ボタンを押す。
インデックスナンバーが、画面上部に白い文字で表示されます。(インデックスナンバーは、1から255の範囲で、あらかじめ各モニターに設定されています。)

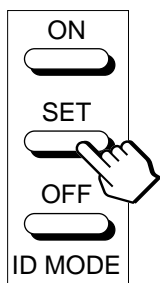
インデックスナンバーを変更したいときは、右欄の「インデックスナンバーを変更するには」をご覧ください。



- 2 リモートコマンダーの数字ボタンで、操作したいモニターのインデックスナンバーを入力する。
すべてのモニターのインデックスナンバーの右に、入力した数字が表示されます。

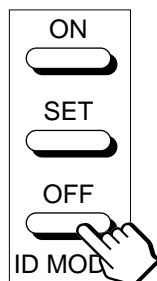


- 3 ID MODE SET ボタンを押す。
選択したモニターのメニュー表示が青色に変わり、その他のモニターのメニュー表示は赤色に変わります。



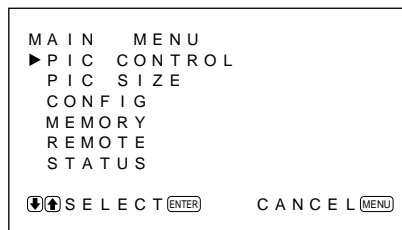
これで特定のモニターのみ(メニュー表示が青色に変わったモニター)を操作できます。(電源の入/切を除くすべての操作が可能です。)

- 4 モニターの設定が終了したら、ID MODE OFFボタンを押す。
モニターは通常の画面に戻ります。

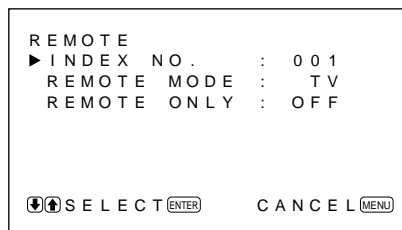


インデックスナンバーを変更するには必要に応じてインデックスナンバーを変更できます。変更する場合は、モニター本体のコントロールパネルのボタンをお使いください。

- 1 MENU ボタンを押す。
メインメニューが表示されます。



- 2 ↑/↓ボタンでREMOTEメニューを選び、ENTボタンを押す。
REMOTEメニューが表示されます。



- 3 ↑/↓ボタンで「INDEX NO.」を選び、ENTボタンを押す。
以下の画面が表示されます。



- 4 ↑/↓ボタンでインデックスナンバーを選び、ENTボタンを押す。
REMOTEメニューに戻ります。

他のリモートコマンダーから操作する

他のリモートコマンダーから以下の操作ができます。

- 電源の入 / 切
- 入力の切り換え
- メニュー操作
- 画像調整 (コントラスト、色の濃さ、色相)
- 画面表示の入 / 切

リモートコマンダーの種類により、使用するボタンは以下のようになります。

リモコンの型名		RM-854	RM-1271	RM-PJ1292	RM-PJ1000
REMOTE MODE の設定		TV	PJ	PJ	PJ
入力切換	RGB1	RGB	A	A	A
	RGB2	-	B	B	B
	LINE	LINE1	VIDEO	VIDEO	VIDEO
メニュー操作	MENU	MENU	PAGE または ←	PAGE または ←	MENU または ←
	ENTER	ENTER	→	→	ENTER または →
	+	+	↑	↑	↑
	-	-	↓	↓	↓
画像の調整	コントラスト	CONTRAST + / -	CONTR + / -	CONTR + / -	CONTR + / -
	色の濃さ	CHROMA + / -	COLOR + / -	COLOR + / -	COLOR + / -
	色相	PHASE + / -	HUE + / -	HUE + / -	HUE + / -
画面表示		DISPLAY	-	STATUS ON	STATUS ON

映像処理系

受信可能周波数	水平: 15.6 ~ 80 kHz 垂直: 48 ~ 120 Hz
プリセット信号	入力: 12フォーマット(28ページ参照)
映像メモリー	1,152 × 1,152 × 24ビット(RGB全体)
サンプリング周波数	12.5 ~ 40 MHz 位相オフセット (80 MHzと同等)
パネル方式	プラズマ・ディスプレイ・パネル
解像度	852ドット(水平) × 480ライン(垂直)
ピクセルピッチ	1.08(水平) × 1.08(垂直)mm
有効表示寸法	920(水平) × 518(垂直)mm
画面サイズ	42型(対角1,056 mm)

入出力

RGB1

R(R-Y)/G(Y)/B(B-Y)IN	BNC型(×3) 0.714 Vp-p / 同期信号なし、75 自動終端 1 Vp-p / 同期信号付き、75 自動終端
----------------------	--

SYNC IN(HD/COMP, VD)

BNC型(×2)	H sync/ コンポジットシンク、V sync、 1 ~ 5 Vp-p ハイインピーダンス
----------	---

AUDIO IN(L, R) ピンジャック(×2)

500 mVrms、ハイインピーダンス

R(R-Y)/G(Y)/B(B-Y)OUT

BNC型(×3)ループスルー

SYNC OUT(HD/COMP, VD)

BNC型(×2)ループスルー
H sync/ コンポジットシンク、V sync

AUDIO OUT(L, R)

ピンジャック(×2)ループスルー

RGB2

RGB IN	D-sub 15ピン(メス)(×1) (「ピン配列」参照)
--------	----------------------------------

AUDIO IN(L, R) ピンジャック(×2)

500 mVrms、ハイインピーダンス

LINE(NTSC, PAL)

VIDEO IN	BNC型(×1) コンポジットビデオ 1 Vp-p ± 2 dB 同期負、 75 自動終端
----------	---

Y/C IN	ミニDIN4ピン(×1) Y(輝度)1 Vp-p ± 2 dB 同期負、 75 自動終端 C(クロマ)バースト0.286 Vp-p ± 2 dB(NTSC) 75 自動終端 バースト0.3 Vp-p ± 2 dB(PAL) 75 自動終端
--------	--

AUDIO IN(L, R) ピンジャック(×2)	500 mVrms、ハイインピーダンス
---------------------------	---------------------

VIDEO OUT BNC型(×1)ループスルー

Y/C OUT ミニDIN4ピン(×1)ループスルー

AUDIO OUT(L, R)	ピンジャック(×2)ループスルー
-----------------	------------------

MONITOR OUT AUDIO(L, R)

ピンジャック(×2)	出力可変 最大500 mVrms、ハイインピーダンス
------------	----------------------------

CONTROL S(IN, OUT)

ミニジャック(ステレオ)(×2)	5 Vp-p
------------------	--------

SPEAKERS	6 ~ 16、7W + 7W(8 時)
----------	---------------------

その他

電源	AC 100 ~ 120 V、50/60 Hz、3.9 A/380 W AC 220 ~ 240 V、50/60 Hz、2.0 A/360 W
----	--

動作条件	温度: 0 ~ +35 湿度: 20 ~ 90%(結露のないこと) 気圧: 700 ~ 1060 hPa
------	--

保存・輸送条件	温度: -10 ~ +40 湿度: 20 ~ 90%(結露のないこと) 気圧: 700 ~ 1060 hPa
---------	--

最大外形寸法 質量	1036 × 636 × 152 mm(幅/高さ/奥行き) 約47 kg
--------------	---

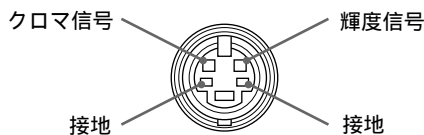
- 付属品
- 電源コード(1)
 - AC プラグホルダー(1)
 - 変換プラグアダプター(1)
 - リモートコマンダーRM-921(1)
 - 単3型乾電池(2)
 - フェライトコア(2)
 - 収納式スタンド固定用金具(2)
 - 収納式スタンド固定用金具用ネジ(6)
 - 転倒防止用金具(2)
 - 取扱説明書(1)
 - 保証書(1)
 - サービス窓口・ご相談窓口のご案内(1)

本機は「高調波ガイドライン適合品」です。

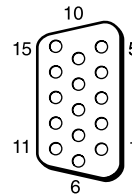
本機の仕様および外観は、改良のため予告なく変更することがありますが、ご了承ください。

ピン配列

Y/C端子(ミニDIN 4ピン)



RGB IN端子(D-sub 15ピン)



ピンNo.	信号
1	赤映像信号またはR-Y信号
2	緑映像信号またはY信号
3	青映像信号またはB-Y信号
4	接地 (GND)
5	接地 (GND)
6	赤接地 (GND)
7	緑接地 (GND)
8	青接地 (GND)
9	未使用
10	接地 (GND)
11	接地 (GND)
12	SDA
13	水平同期信号または複合同期信号
14	垂直同期信号
15	SCL

保証書とアフターサービス

保証書

- この製品には保証書が添付されていますので、お買い上げの際にお受け取りください。
- 所定事項の記入および記載内容をお確かめのうえ、大切に保存してください。

アフターサービス

調子が悪いときはまずチェックをこの説明書をもう一度ご覧になってお調べください。

それでも具合の悪いときはサービスへ

お買い上げ店、または添付の「サービス窓口・ご相談窓口のご案内」にあるお近くのソニーサービス窓口にご相談ください。

保証期間中の修理は

保証書の記載内容に基づいて修理させていただきます。詳しくは保証書をご覧ください。

保証期間経過後の修理は

修理によって機能が維持できる場合は、ご希望により有料修理をさせていただきます。

Sony on line <http://www.world.sony.com/>

「Sony online」は、インターネット上のソニーのエレクトロニクスとエンターテインメントのホームページです。

Printed on recycled paper

お問い合わせは
「ソニー業務用製品ご相談窓口のご案内」にある窓口へ

ソニー株式会社 〒141-0001 東京都品川区北品川6-7-35
ソニーマーケティング株式会社 情報システム営業本部 〒108-0074 東京都港区高輪4-10-18
Sony Corporation Printed in Japan