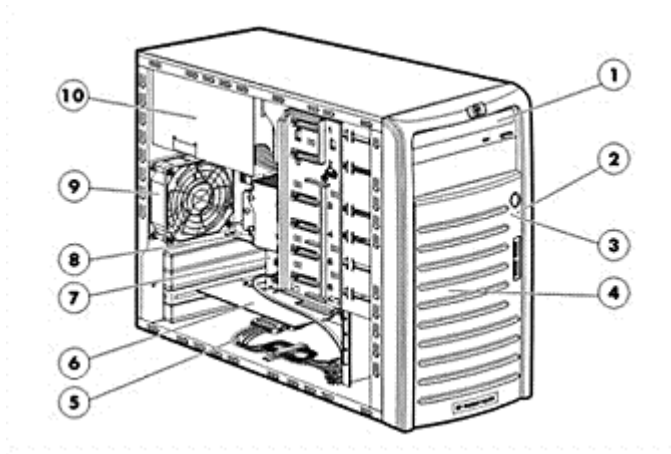
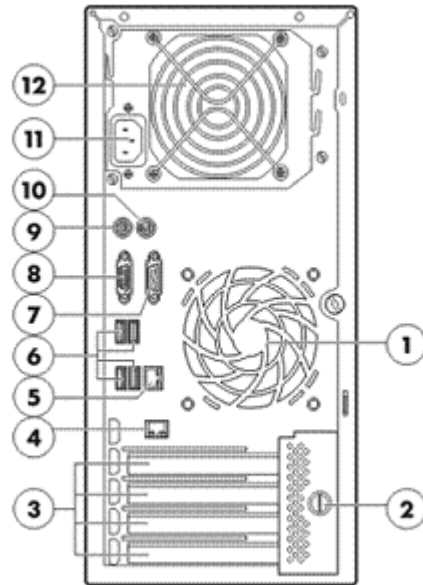


Overview



Front View:

1. DVD-ROM Drive
2. Power LED
3. Drive Activity LED
4. Front Bezel
5. SAS Cable (SAS model only)
6. Hard Drive Controller Card (Optional)
7. System Board
8. HP ProLiant 100 G5 Lights-Out 100c Management Card Port (Optional)
9. System Fan
10. 365W Power Supply



Rear View:

1. Rear System fan
2. PCI Slot Cover Retainer
3. PCI Slot Covers
4. HP ProLiant 100 G5 Lights-Out 100c Management Card Port (Optional)
5. LAN Port (RJ-45)
6. Rear USB 2.0 Ports
7. Serial Port
8. VGA Port
9. PS/2 Keyboard Port
10. PS/2 Mouse Port
11. Power Supply Outlet
12. Power Supply Unit (PSU) Fan

What's New

- Support for Quad-Core and Dual-Core Intel® Xeon® processors 3300 and 3100 sequence
- Support for SAS Enterprise (ENT) Non-Hot Plug Hard Drives

Overview

At A Glance

- **Processor:**
 - Quad-Core Intel® Xeon® processors 3300 sequence
 - Quad-Core Intel® Xeon® processors 3200 sequence
 - Dual-Core Intel® Xeon® processors 3100 sequence
 - Dual-Core Intel® Xeon® processors 3000 sequence
 - Dual-Core Intel® Core 2 processors 4000 sequence
 - Dual-Core Intel® Pentium® processors 2000 sequence
 - Single-Core Intel® Celeron® processors 400 Sequence
- **Memory:**
 - 512 MB Standard (1GB on SAS Models) / 8 GB Maximum of PC6400 DDR2, Unbuffered ECC
- **Storage Controller:**
 - SATA Models: Integrated 6 ports SATA controller with embedded RAID (4 ports available for Hard Disks)
 - SAS Models: HP SC40Ge Host Bus Adapter with RAID 0, 1 support, FIO
- **Internal Drive Support:**
 - 4 HDD Support:
 - 3.0TB SATA max storage (4 x 750GB HDD)
 - 1.8TB SAS max storage (4 x 450GB HDD)
- **Network Controller:**
 - Embedded NC105i PCI Express Gigabit Ethernet Server Adapter
- **Expansion Slots:**
 - Slot 1: PCI 32-bit/33MHz at 3.3V
 - Slot 2: PCI-Express x8 connector with x1 link
 - Slot 3: PCI-Express x8 connector with x1 link
 - Slot 4: PCI-Express X8 connector with x8 link
- **USB Ports:**
 - 8 Total USB ports
 - 2 Front
 - 4 Rear
 - 2 Internal (one for tape, one for standard USB device)
- **Management:**
 - Standard Lights Out 100 IPMI 2.0 reporting
 - Optional HP ProLiant 100 G5 Lights Out 100c Remote Management Card
 - Standard HP ProLiant ML110 G5 Easy Set-up CD
- **Form Factor:**
 - Micro ATX tower (4U)
- **Warranty:**
 - This product is covered by a global limited warranty and supported by HP Services and a worldwide network of HP Authorized Channel Partners. Hardware diagnostic support and repair are available for one year from date of purchase. Support for software and initial setup is available for 90 days from date of purchase. Enhancements to warranty services are available through HP Care Pack services or customized service agreements. SATA hard drives have a one year warranty. SAS Enterprise drives have a three-year warranty.
 - **NOTE:** Server Warranty includes 1 year parts, 1 year labor, 1-year on-site support with next business day response. Warranty repairs may be accomplished through the use of Customer Self Repair (CSR) parts. These parts fall into two categories: 1) Mandatory CSR parts are designed for easy replacement. A travel and labor charge will result when customers decline to replace a Mandatory CSR part; 2) Optional CSR parts are also designed for easy replacement but may involve added complexity. Customers may choose to have HP replace Optional CSR parts at no charge. Additional information regarding worldwide limited warranty and technical support is available <http://h18004.www1.hp.com/products/servers/platforms/warranty/index.html>

Standard Features

NOTE: For a brief, printer friendly data sheet that describes this product and informs you of the essential capabilities and specifications, please visit: <http://h71028.www7.hp.com/ERC/downloads/4AA1-5498ENW.pdf>

Processor

One of the following depending on Model

Quad-Core Processors

Quad-Core Intel® Xeon® processor X3360 (2.83 GHz, 95W, 1333MHz FSB, 12M)

NOTE: Available through [Configure To Order](#) only. See [Factory Integration Models](#) section for more details.

Quad-Core Intel® Xeon® processor X3350 (2.66 GHz, 95W, 1333MHz FSB, 12M)

NOTE: Available through [Configure To Order](#) only. See [Factory Integration Models](#) section for more details.

Quad-Core Intel® Xeon® processor X3330 (2.66 GHz, 95W, 1333MHz FSB 6M)

Quad-Core Intel® Xeon® processor X3320 (2.50 GHz, 95W, 1333MHz FSB, 6M)

NOTE: Available through [Configure To Order](#) only. See [Factory Integration Models](#) section for more details.

Quad-Core Intel® Xeon® Processor X3220 (2.40 GHz, 95W, 1066MHz FSB,8M)

NOTE: Available through [Configure To Order](#) only. See [Factory Integration Models](#) section for more details.

Quad-Core Intel® Xeon® Processor X3210 (2.13 GHz, 95W, 1066MHz FSB,8M)

NOTE: Available through [Configure To Order](#) only. See [Factory Integration Models](#) section for more details.

Dual-Core

Dual-Core Intel® Xeon® processor E3120 (3.16 GHz, 65W, 1333MHz FSB, 6M)

NOTE: Available through [Configure To Order](#) only. See [Factory Integration Models](#) section for more details.

Dual-Core Intel® Xeon® processor E3110 (3.00 GHz, 65W, 1333MHz FSB, 6M)

NOTE: Available through [Configure To Order](#) only. See [Factory Integration Models](#) section for more details.

Dual-Core Intel® Xeon® processor X3075 (2.66 GHz, 65W, 1333MHz FSB, 4M)

NOTE: Available through [Configure To Order](#) only. See [Factory Integration Models](#) section for more details.

Dual-Core Intel® Xeon® processor X3065 (2.33 GHz, 65W, 1333MHz FSB, 4M)

Dual-Core Intel® Core 2 Processor E4600 (2.40 GHz, 65W, 800MHz FSB, 2M)

NOTE: Available through [Configure To Order](#) only. See [Factory Integration Models](#) section for more details.

Dual-Core Intel® Pentium® processor E2160 (1.80 GHz, 65W, 800MHz FSB, 1M)

Single-Core

Single-Core Intel® Celeron® processor 440 (2.0 GHz, 35W, 800MHz FSB, 512K)

NOTE: Available through [Configure To Order](#) only. See [Factory Integration Models](#) section for more details.

Single-Core Intel® Celeron® processor 420 (1.6 GHz, 35W, 800MHz FSB, 512K)

NOTE: Available through [Configure To Order](#) only. See [Factory Integration Models](#) section for more details.

Standard Features

Cache Memory <i>One of the following depending on Model</i>	12 MB Level 2 cache (Intel® Xeon® 3300 sequence)
	8 MB Level 2 cache (Intel® Xeon® 3200 sequence)
	6 MB Level 2 cache (Intel® Xeon® 3300 sequence)
	6 MB Level 2 cache (Intel® Xeon® 3100 sequence)
	4 MB Level 2 cache (Intel® Xeon® 3000 sequence)
	2 MB Level 2 cache (Intel® Core 2 Duo 4000 sequence)
	1 MB Level 2 cache (Intel® Pentium® E2100 sequence)
512KB Level 2 cache (Intel® Celeron® 440 sequence)	

Chipset Intel® 3200

Memory Protection ECC

Memory	Type	PC2-6400 unbuffered DDR2 ECC 800MHz
	Standard	512 MB 1 GB (SAS Models)
	Maximum	8 GB

Network Controller Embedded NC105i PCI Express Gigabit Ethernet Server Adapter

Expansion Slots #	Technology	Bus Width***	Connector Width	Bus Number*	Device Number**	Form Factor	Notes
1	PCI	32-bit	N/A	0	30	Full height slot	133MHz/3.3V
2	PCIe	X1	X8	0	28	Full height slot	
3	PCIe	X1	X8	2	28	Full length, full height slot	
4	PCIe	X8	X8	0	1	Full length, full height slot	

*Default bus assignment (in decimal). Inserting cards with PCI bridges may alter the actual bus assignment number.

** Slots are enumerated differently based on OS. MS OS's enumerate from lowest to highest Device ID by bus (starting with the lowest bus).

*** Indicates the number of physical electrical lanes running to a PCI-e connector.

NOTE: PCI-X Interface (PCI 32bit/33MHz compatible)

Standard Features

Storage Controller One of the following depending on Model	SATA Models	Integrated 6 ports SATA controller with embedded RAID (4 ports available for Hard Disks)
	SAS Models	HP SC40Ge Host Bus Adapter with RAID 0, 1 support Embedded RAID setup instructions are located in the User Guide. CTO RAID set-up is not available. HP ProLiant ML100 Series Server User Guide: http://h20000.www2.hp.com/bc/docs/support/SupportManual/c00260539/c00260539.pdf

Storage	Optical Drive	SATA DVD-ROM Drive	
	Hard Drives	SATA	160GB SATA 7200 rpm Drive
		SAS	72GB SAS 15,000 rpm Drive

Maximum Internal Storage	Type		
	Non-Hot Plug SATA	3.0TB	(4 x 750GB)
	Not-Hot plug SAS	1.8TB	(4 x 450GB)

Interfaces	Parallel	0	
	Serial	1	
	Pointing Device (Mouse, PS2)	1	
	Graphics	1	
	Keyboard (PS2)	1	
	USB 2.0 Ports	8 total (4 rear, 2 front panel, 2 internal (one for USB Tape connectivity))	
	Network RJ-45 (Ethernet) Management	1	HP ProLiant 100 G5 Lights-Out 100c Remote Management port (Optional)

NOTE: Internal USB ports are optimal for the attachment of HP USB DAT Tape Drives
NOTE: Please see the following URL for additional information regarding USB support:
<http://h18004.www1.hp.com/products/servers/platforms/usb-support.html>

Graphics	32MB shared supporting 1600 x 1200 x 16M resolution
-----------------	---

Form Factor	Micro ATX Tower (4U)
--------------------	----------------------

Standard Features

Remote Management Lights-Out 100c

Lights Out LO100c is a Remote Management Card (RMC) for ProLiant 100 series servers that do not have embedded LO100i. The LO100c has all the features of the LO100i Advanced license and allows customers, or their service providers, to remotely manage ProLiant servers over a LAN or the Internet from anywhere, anytime regardless whether the server is located in the same building, across town, or around the globe.

With LO100c, users can acquire complete remote control with Virtual KVM (graphical hardware-based, remote console). Users can also access the server's serial console, control system power, update system firmware and software, as well as monitor system environmental conditions. The LO100c remote management card can be accessed from a web browser or command line interface. This virtual "at-the-server" functionality means administrators stay in control of remote HP ProLiant 100 series servers. The HP Lights-Out100c consists of a management processor and firmware that provides cost-effective, entry-level lights-out functionality, basic system board management functions, and diagnostics.

NOTE: For more information, please refer to the [QuickSpecs for the LO100c found at: http://h18004.www1.hp.com/products/servers/management/remotemgmt/lightsout100/index.html](http://h18004.www1.hp.com/products/servers/management/remotemgmt/lightsout100/index.html)

Core Infrastructure Management

HP ProLiant ML110 G5 Easy Set-up CD

The HP ProLiant Easy Set-up CDs optimize single-server setup, providing a simple way to deploy reliable and consistent server configurations. The HP ProLiant 100 Series Easy Set-up CD ship standard with the ML110 G5.

It offers essential single-server deployment tools for HP ProLiant 100 series servers that simplify HP entry server setup, providing a repeatable way to deploy reliable and consistent single-server configurations. The HP ProLiant Easy Set-up CDs assist with the OS installation process by preparing the system for installing "off-the-shelf" versions of Windows operating system software and automatically integrating optimized HP ProLiant server software drivers and utilities. Users enjoy the following benefits:

- An easy-to-use, intuitive graphical interface that prepares your system for the OS installation process.
- Integration of key server software drivers with assisted installation.
- Dependency and validity checks to ensure that all supported ProLiant software can be installed.

NOTE: For the latest information about other related software; please visit the HP Insight Control Management Software Portfolio at: <http://h18004.www1.hp.com/products/servers/management/> and the HP ProLiant Easy Set-up CD Web site at www.hp.com/servers/easysetup

Subscriber's Choice

Subscriber's Choice Driver and Support Alerts/Notifications is a web-based email subscription service that provides software and driver change notifications for ProLiant products. Sign up at: <http://www.hp.com/go/subscriberschoice> and customize your profile to receive various new alerts as they become available on a weekly or monthly basis.

Standard Features

ROMPaq software and latest drivers

The latest software, drivers, and firmware fully optimized and tested for your ProLiant server and options, available through ProLiant Support Packs or downloaded from software and drivers download pages website at: <http://www.hp.com/go/support>.

Industry Standard Compliance

ACPI V3.0a Compliant
PCI 2.3 Compliant
PXE Support
WOL Support
IPMI 2.0 compliance

Manageability

Standard Lights Out 100 IPMI 2.0 reporting
Optional HP ProLiant 100 G5 Lights-Out 100c Remote Management Card
Standard HP ProLiant ML110 G5 Easy Set-Up CD

Security

Power-on password
Setup password
USB lock

Server Power Cords

6' lowline NEMA power cord.

Power Supply

365 Watts

System Fans

1 – non-redundant system fan shipped standard
1 – non-redundant CPU heatsink fan shipped standard

OS Support

Microsoft Windows Server 2003 Web edition
Microsoft Windows Server 2003
Windows Server 2003 R2
Microsoft Windows Server 2008
Red Hat Enterprise Linux
SUSE Linux Enterprise Server
Netware

NOTE: For more information on HP's Certified and Supported ProLiant Servers for OS and Virtualization Software and latest listing of software drivers available for your server, please visit our Support Matrix at: <http://www.hp.com/go/supportos>.

Standard Features

Factory Express Portfolio for Servers and Storage

HP Factory Express offers configuration, customization, integration and deployment services for HP servers and/or storage products. Customers can choose how their factory solutions are built, tested, integrated, shipped and deployed.

Factory Express offers service packages for simple configuration, racking, installation, complex configuration and design services as well as individual factory services, such as image loading, asset tagging and custom packaging. HP products supported through Factory Express include a wide array of servers and storage: HP Integrity, HP ProLiant, HP ProLiant Server Blades, HP BladeSystem, HP 9000 servers, as well as, the MSAxxx, VA7xxx, EVA, XP, rackable tape libraries and configurable network switches.

For more information on Factory Express services for your specific server model please contact your sales representative or go to <http://www.hp.com/go/factory-express>.

HP Enterprise Configurator

The HP eCo-Enterprise Configurator now provides factory default racking for our HP hardware portfolio. This approach is aligned with our strategic direction to meet the needs and expectations of our valued customers. If you require "custom" rack configuration, please contact HP's Customer Business Center or an Authorized Partner for assistance.

Service and Support

HP Care Pack Services provide total care and support expertise with committed response designed to meet your IT and business needs.

HP Care Pack services include coverage for the HP branded hardware options qualified for the server that are purchased at the same time or afterward and internal to the enclosure. It also includes the 22" and smaller external monitors and tower UPS options up to 3kVA. These items will be covered at the same service level and for the same coverage period as the server. Coverage of UPS Battery is not included and standard warranty terms & conditions apply. For servers or storage systems installed within a rack, service also covers all HP qualified rack options installed within the same rack.

To fully capitalize on your HP ProLiant servers' capabilities requires a service partner who thoroughly understands your server technology and systems environment. HP Services, an industry leader in provision of multi vender support solutions provides a range of support services designed to meet the varying needs of business. Whether an SMB or large global corporation HP has a ProLiant server support offer to help you speedily deploy and maximize system uptime.

Recommended Service – Simplify ProLiant solution implementation, maintenance and management.

- **Support Service** – 3 Year, 9x5 Next Business Day coverage, excluding HP holidays only
- **Deployment Service** – Hardware Installation only

Enhanced Service – Optimize service level to increase IT performance and availability

- **Support Service** – 3 Year 13x5 Same Business Day, 4-Hour response coverage
- **Deployment Service** – Installation and Start-up only

Installation & Start-Up of a ProLiant server and Microsoft or Linux O/S per the Customer Description and/or Data Sheet. To be delivered on a scheduled basis 8am-5pm, M-F, excl. HP holidays.

For a complete listing of service offerings and information visit:

<http://www.hp.com/services/proliantservices>

<http://www.hp.com/go/proliant/carepack>

Models

NOTE: For the Standard Features shipped in the "Factory Integrated Models", please see "Configuration Information - Factory Integrated Models" section".

SATA Models

ML110 G5 X3330 NHP-SATA 495124-001	Processor(s)	(1) Quad-Core Intel® Xeon® processor X3330 (2.66 GHz, 95W, 1333MHz FSB, 6MB)
	Cache Memory	6MB (2 x 3MB) Level 2 cache
	Memory	512 MB PC2-6400 ECC (DDR2-800MHz) (1 x 512 MB)
	Storage Controller	HP Embedded 6 Port SATA Controller with Embedded RAID (4 ports for HDD)
	Hard Drive	160GB SATA HDD
	Internal Storage	Non-Hot Plug SATA: Maximum 3.0TB (4 x 750GB) SATA
	Optical Drive	16x SATA DVD-ROM
	Form Factor	Micro ATX Tower (4U)

ML110 G5 Pentium E2160 NHP-SATA 444809-001	Processor(s)	(1) Dual-Core Intel® Pentium® processor E2160 (1.8GHz, 65W, 800MHz FSB, 1MB)
	Cache Memory	1MB (1 x 1MB) Level 2 cache
	Memory	512 MB PC2-6400 ECC (DDR2-800MHz) (1 x 512 MB)
	Storage Controller	HP Embedded 6 Port SATA Controller with Embedded RAID (4 ports for HDD)
	Hard Drive	160GB SATA HDD
	Internal Storage	Non-Hot Plug SATA: Maximum 3.0TB (4 x 750GB) SATA
	Optical Drive	16x SATA DVD-ROM
	Form Factor	Micro ATX Tower (4U)

ML110 G5 Xeon 3065 NHP-SATA 444810-001	Processor(s)	(1) Dual-Core Intel® Xeon® processor 3065 (2.33GHz, 65W, 1333MHz FSB, 4MB)
	Cache Memory	4MB (1 x 4MB) Level 2 cache
	Memory	512 MB PC2-6400 ECC (DDR2-800MHz) (1 x 512 MB)
	Storage Controller	HP Embedded 6 Port SATA Controller with Embedded RAID (4 ports for HDD)
	Hard Drive	160GB SATA HDD
	Internal Storage	Non-Hot Plug SATA: Maximum 3.0TB (4 x 750GB) SATA
	Optical Drive	16x SATA DVD-ROM
	Form Factor	Micro ATX Tower (4U)

Models

SAS Models

ML110 G5 XEON 3065 NHP-SAS 444811-001	Processor(s)	(1) Dual-Core Intel® Xeon® processor X3065 (2.33GHz, 65W, 1333MHz FSB, 4MB)
	Cache Memory	4MB (1 x 4MB) Level 2 cache
	Memory	1 GB PC2-6400 ECC (DDR2-800MHz) (1 x 1GB)
	Storage Controller	HP SC40Ge Host Bus Adapter with RAID 0, 1 support
	Hard Drive	72GB SAS HDD
	Internal Storage	Non-Hot Plug SAS: Maximum 1.8TB (4 x 450GB) SAS
	Optical Drive	16x SATA DVD-ROM
	Form Factor	Micro ATX Tower (4U)

Smart Buys

The ProLiant Smart Buy program offers a collection of promotional server and option products that are configured with SMB in mind, offered at discounted prices, and positioned for quick delivery. Smart Buy server offers are available for a limited time only.

S-Buy ML110G5 E4400 160 SATA 455945-005	Processor(s)	(1) Dual-Core Intel Core 2 E4400 (2.0 GHz, 800 FSB, 2M)
	Cache Memory	1x2 MB Level 2 cache
	Memory	1 GB PC2-6400 ECC (DDR2-800MHz) (1 x 1GB)
	Storage Controller	HP Embedded 6 Port SATA Controller with embedded RAID (4 ports for HDD)
	Hard Drive	(1) 160GB SATA 7.2K 3.5"
	Internal Storage	Maximum 3.0TB (4 x 750GB) SATA
	Optical Drive	16x SATA DVD-ROM
	Form Factor	Micro ATX Tower

S-Buy ML110G5 X3075 160 SATA 455946-005	Processor(s)	(1) Dual-Core Intel Xeon 3075 (2.66 GHz, 1333 FSB, 4M)
	Cache Memory	1 x 4MB Level 2 cache
	Memory	1 GB PC2-6400 ECC (DDR2-800MHz) (1 x 1GB)
	Storage Controller	HP Embedded 6 Port SATA Controller with embedded RAID (4 ports for HDD)
	Hard Drive	(1) 160GB SATA 7.2K 3.5"
	Internal Storage	Maximum 3.0TB (4 x 750GB) SATA
	Optical Drive	16x DVD-RW Drive
	Form Factor	Micro ATX Tower

S-Buy ML110G5 X3075 SBS 160 SATA 455947-005	Processor(s)	(1) Dual-Core Intel Xeon 3075 (2.66 GHz, 1333 FSB, 4M)
	Cache Memory	1 x 4MB Level 2 cache
	Memory	1 GB PC2-6400 ECC (DDR2-800MHz) (1 x 1GB)
	Storage Controller	HP Embedded 6 Port SATA Controller with embedded RAID (4 ports for HDD)
	Hard Drive	(2) 160GB SATA 7.2K 3.5"
	Operating System	Microsoft Windows Small Business Server 2003 R2 Standard Edition with 5 CALs
	Internal Storage	Maximum 3.0TB (4 x 750GB) SATA
	Optical Drive	16x DVD-RW Drive
Form Factor	Micro ATX Tower	

Smart Buys

S-Buy ML110G5 E4600 SATA 470064-777	Processor(s)	(1) Dual-Core Intel® Core 2 Processor E4600 (2.40 GHz, 65W, 800 FSB, 2M)
	Cache Memory	2 MB Level 2 cache
	Memory	1 GB PC2-6400 ECC (DDR2-800Mhz) (1 x 1GB)
	Storage Controller	HP Embedded 6 Port SATA Controller with embedded RAID (4 ports for HDD)
	Hard Drive	(1) 160GB SATA 7.2K 3.5"
	Internal Storage	Maximum 3.0TB (4 x 750GB) SATA
	Optical Drive	DVD-ROM Drive
	Form Factor	Micro ATX Tower

Configuration Information-Factory Integrated Models

NOTE: This section lists some of the steps required to configure a Factory Integrated Model. To ensure only valid configurations are ordered, HP recommends the use of an HP approved configurator. Contact your local sales representative for information on CTO product offerings and requirements.

NOTE: HP does not allow factory integration of options into standard models listed above.

Configure-to-order servers must start with a CTO Chassis.

NOTE: This product offering does not support HP Factory Express Server Configuration Level 1.

NOTE: FIO indicates that this option is a Factory Installable Option.

Step 1: Base Configuration

Models	HP ProLiant ML110G5 NHP CTO Chassis	445607-B21
	Factory Integrated Models ship with:	
	Embedded NC105i PCI Express Gigabit Ethernet Server Adapter	
	Keyboard and Mouse	
	NOTE: Keyboard and Mouse option needs to be manually selected for shipment. Please see the USB Options listed in the options selection of this QuickSpecs.	
	365 Watts, PFC (Power Factor Correcting)	
	Micro ATX Tower (4U)	
	NOTE: HP SATA Drive Models are limited to <3.0TB support.	
	NOTE: On SATA models with embedded RAID, setup instructions are located in the User Guide. CTO RAID set-up is not available. HP ProLiant ML100 Series Server User Guide:	
	http://h20000.www2.hp.com/bc/docs/support/SupportManual/c00260539/c00260539.pdf	

Step 2: Choose Required Options (only one of the following from each list unless otherwise noted)

Processors	Quad-Core Processor	
	Quad-Core Intel® Xeon® processor X3360 (2.83GHz, 95W, 1333MHz FSB, 12MB), FIO	493261-L21
	Quad-Core Intel® Xeon® processor X3350 (2.66 GHz, 95W, 1333MHz FSB, 12M), FIO	464374-L21
	Quad-Core Intel® Xeon® processor X3330 (2.66 GHz, 95W, 1333 MHz FSB, 6M), FIO	493259-L21
	Quad-Core Intel® Xeon® processor X3320 (2.50 GHz, 95W, 1333 MHz FSB, 6M), FIO	464375-L21
	Quad-Core Intel® Xeon® Processor X3220 (2.40 GHz, 95W, 1066 MHz FSB, 8M), FIO	455069-L21
	Quad-Core Intel® Xeon® Processor X3210 (2.13 GHz, 95W, 1066 MHz FSB, 8M), FIO	455068-L21
	Dual-Core Processor	
	Dual-Core Intel® Xeon® processor E3120 (3.16 GHz, 65W, 1333 MHz FSB, 6M), FIO	492973-L21
	Dual-Core Intel® Xeon® processor E3110 (3.00 GHz, 65W, 1333 MHz FSB, 6M),FIO	464376-L21

Configuration Information-Factory Integrated Models

Dual-Core Intel® Xeon® processor X3075 (2.66 GHz, 65W, 1333 MHz FSB, 4M), FIO	450454-L21
Dual-Core Intel® Xeon® processor X3065 (2.33 GHz, 65W, 1333 MHz FSB, 4M), FIO	450360-L21
Dual-Core Intel® Core 2 processor E4600 (2.40 GHz, 65W, 800 MHz FSB, 2M), FIO	481618-L21
Dual-Core Intel® Pentium® processor E2160 (1.8GHz, 65W, 800 MHz FSB, 1M), FIO	450359-L21
Single-Core	
Single-Core Intel® Celeron® processor 440 (2.0GHz, 35W, 800 MHz FSB, 512K), FIO	455072-L21
Single-Core Intel® Celeron® processor 420 (1.6GHz, 35W, 800 MHz FSB, 512K), FIO	455071-L21

Memory	2 GB Unbuffered PC2-6400 ECC DIMM (1 x 2 GB)	450260-B21
	1 GB Unbuffered PC2-6400 ECC DIMM (1x1 GB)	450259-B21
	512 MB Unbuffered PC2-6400 ECC DIMM(1x512 MB)	450258-B21

Optical Drive	HP Half-Height SATA DVD ROM Kit	447326-B21
	HP Half-Height SATA DVD-RW Optical Kit	447328-B21

Hard Drives (up to 4)	SATA Non-Hot Plug Midline (MDL) Drives	
	HP 750GB 3G SATA 7.2K NHP 3.5" MDL HDD	462595-B21
	HP 500GB 3G SATA 7.2K NHP 3.5" MDL HDD	458941-B21
	HP 250GB 3G SATA 7.2K NHP 3.5" MDL HDD	458939-B21
	SATA Non-Hot Plug Entry (ETY) Drives	
	HP 160GB 3G SATA 7.2K NHP 3.5" ETY HDD	458947-B21
	SAS Enterprise (ENT) Drives 3.5" Drives, Non-Hot Plug	
	HP 450GB 3G NHP 15K 3.5" DP SAS ENT	454234-B21
	HP 300GB 3G NHP 15K 3.5" DP SAS ENT	417950-B21
	HP 146GB 3G NHP 15K 3.5" DP SAS ENT	417855-B21
	SAS Non-Hot Plug Enterprise Drives	
	HP 300GB SAS 3.5" 15K NHP	431950-B21
	HP 146GB SAS 3.5" 15K NHP	432093-B21
	HP 72GB SAS 3.5" 15K NHP	432095-B21

Configuration Information-Factory Integrated Models

Step 3: Choose Additional Factory Integratable Options

Storage Controller	HP SC40Ge Host Bus Adapter, FIO	449176-B21
Communications	Agere 2006 PCI Hi-Speed 56K Modem, FIO	440519-B21
Operating Systems	Pre-install Microsoft Windows 2003 SBS Standard Edition	
	MS W2003 SBS R2 Std 1XX FIO Eng SW	432564-001
	MS W2003 SBS R2 Prm 1XX FIO Eng SW	432566-001

Step 4: Choose Additional Options for Factory Integration

NOTE: For additional options, please refer to the "Options" section below.

NOTE: Some options may not be factory integratable. Please contact your local sales representative for additional information.

Options

Memory	2 GB Unbuffered PC2-6400 ECC DIMM (1 x 2 GB)	450260-B21
	1 GB Unbuffered PC2-6400 ECC DIMM (1 x 1 GB)	450259-B21
	512 MB Unbuffered PC2-6400 ECC DIMM (1x512 MB)	450258-B21

Optical Drives	HP Half-Height SATA DVD ROM Kit	447326-B21
	HP Half-Height SATA DVD-RW Optical Kit	447328-B21

Hard Drives	SATA Non-Hot Plug Midline (MDL) Drives	
	HP 750GB 3G SATA 7.2K NHP 3.5" MDL HDD	462595-B21
	HP 500GB 3G SATA 7.2K NHP 3.5" MDL HDD	458941-B21
	HP 250GB 3G SATA 7.2K NHP 3.5" MDL HDD	458939-B21

Hard Drives	SATA Non-Hot Plug Entry (ETY) Drives	
	HP 160GB 3G SATA 7.2K NHP 3.5" ETY HDD	458947-B21

NOTE: SATA drives have a 1 year warranty. Please see the QuickSpecs for Technical Specifications and additional information:

http://h18000.www1.hp.com/products/quickspecs/13021_na/13021_na.html

SATA Non-Hot Plug Drives

NOTE: The following previous generation of 1.5G SATA Hot Plug hard drives are supported. These drives can be purchased as an option, however, are no longer configurable.

Hard Drives	HP 250GB 1.5G SATA 7.2K NHP 3.5" HDD	411276-B21
	HP 160GB 1.5G SATA 7.2K NHP 3.5" HDD	411275-B21

NOTE: SATA drives have a 1 year warranty. Please see the QuickSpecs for Technical Specifications and additional information:

http://h18000.www1.hp.com/products/quickspecs/11940_na/11940_na.html

Hard Drives	SAS Enterprise (ENT) Drives 3.5" Drives, Non-Hot Plug	
	HP 450GB 3G NHP 15K 3.5" DP SAS ENT	454234-B21
	HP 300GB 3G NHP 15K 3.5" DP SAS ENT	417950-B21
	HP 146GB 3G NHP 15K 3.5" DP SAS ENT	417855-B21

Hard Drives	SAS Non-Hot Plug	
	HP 300GB SAS 3.5" 15K NHP	431950-B21
	HP 146GB SAS 3.5" 15K NHP	432093-B21
	HP 72GB SAS 3.5" 15K NHP	432095-B21

NOTE: Please see the for Technical Specifications and additional information:

http://h18000.www1.hp.com/products/quickspecs/12244_na/12244_na.html

Options

Storage Controllers	SAS HBA	
	HP SC44Ge Host Bus Adapter	416096-B21
	NOTE: Supports RAID 0,1. NOTE: Please see the following QuickSpecs for Technical Specifications and additional information: http://h18004.www1.hp.com/products/quickspecs/12617_na/12617_na.html (SC44Ge HBA)	
	SCSI HBA	
Storage Controllers	HP SC11Xe U320 Host Bus Adapter	412911-B21
	NOTE: Supports Tape only, no RAID support. NOTE: Please see the following QuickSpecs for Technical Specifications and additional information: http://h18004.www1.hp.com/products/quickspecs/12566_na/12566_na.html (SC11Xe HBA)	
Storage Controllers	Smart Array E200 Controller	
	HP Smart Array E200/128 BBWC Controller	411508-B21
	NOTE: Supports RAID 0,1,1+0, 5/BBWC. NOTE: Please see the following QuickSpecs for Technical Specifications and additional information: http://h18000.www1.hp.com/products/quickspecs/12460_na/12460_na.html (Smart Array E200 Controller)	
Storage Controllers	HP SAS/SATA 4-Port Cable	457692-B21
	NOTE: The purchase of a SAS Storage Controller requires the purchase of HP SAS/SATA 4-Port Cable (P/N 457692-B21).	
	NOTE: SAS Storage Controllers supports both SATA and SAS drives.	
	NOTE: On SATA models with embedded RAID, setup instructions are located in the User Guide. CTO RAID set-up is not available. HP ProLiant ML100 Series Server User Guide: http://h20000.www2.hp.com/bc/docs/support/SupportManual/c00260539/c00260539.pdf	
Communications	HP NC110T PCI Express Gigabit Server Adapter	434905-B21
	HP NC360T PCI Express Dual Port Gigabit Server Adapter	412648-B21
	HP NC373T PCI Express Multifunction Gigabit Server Adapter	394791-B21
	Agere 2006 PCI Hi-Speed 56K Modem	EK694AA
	NOTE: Please see the QuickSpecs for Technical Specifications and additional information: www.hp.com/go/ProLiantNICs	

Options

Tape Drives

NOTE: Installation of SCSI tape drives in a ML110 G5 model requires SCSI controller kit (PN: 412911-B21).

NOTE: For complete listing of tape drive offerings see:

<http://www.hp.com/products1/storage/compatibility/tapebackup/ISS/index.html>

DAT USB Tape Drives

HP StorageWorks DAT 40 USB Internal Tape Drive (Carbonite) DW022A

HP StorageWorks DAT 72 USB Internal Tape Drive (Carbonite) DW026A

HP DAT160 USB Internal Tape Drive for ProLiant EH976A

DAT SAS Tape Drives

HP StorageWorks DAT 160 SAS Internal Tape Drive Q1587A

DAT SCSI Tape Drives

HP StorageWorks DAT 40 SCSI Internal Tape Drive (Carbon) C5686C

HP StorageWorks DAT 72 SCSI Internal Tape Drive (Carbon) Q1522B

HP StorageWorks DAT 160 SCSI Internal Tape Drive Q1573A

LTO Ultrium SAS Tape Drives

HP StorageWorks LTO-2 Ultrium 448 SAS Internal Tape Drive DW085A

HP StorageWorks LTO-3 Ultrium 920 SAS Internal Tape Drive for HP ProLiant EH978A

HP D2D Backup System

RDX Removable Disk Backup

HP StorageWorks RDX160 Internal Removable Disk Backup System AJ765A

NOTE: 160GB of Disk Storage.

HP StorageWorks RDX320 Internal Removable Disk Backup System AJ767A

NOTE: 320GB of Disk Storage.

NOTE: Please see the HP RDX Removable Disk Backup System QuickSpecs for additional information:

http://h18000.www1.hp.com/products/quickspecs/13036_na/13036_na.html

D2D Backup

HP StorageWorks D2D120 Backup System with Data Protector Express Software Kit EH924A

NOTE: 2TB of Disk Storage.

HP StorageWorks D2D130 Backup System with LTO-3 Ultrium 920 SAS Tape Drive EH952A

NOTE: 3TB of Disk Storage.

NOTE: Please see the HP D2D Backup Systems QuickSpecs for additional information: <http://www.hp.com/go/d2d>

Installation of Server into Racks

Monitor/Utility Shelf 253449-B21

ProLiant Rack Enabling Kit 417705-B21

Options

Remote Management	HP ProLiant ML100 G5 Lights-Out 100c Remote Management Card	445513-B21
	<p>NOTE: Supports HP ProLiant DL180 G5, ML110 G5, ML115 G5 and ML150 G5 servers,</p> <p>NOTE: For additional information on Lights-Out 100c Remote Management Card, please see the QuickSpecs at: http://h18000.www1.hp.com/products/quickspecs/12468_na/12468_na.html</p>	
Uninterruptible Power Systems - Tower	HP T1000 G2 UPS	
	HP T1000 UPS	AF403A
	<p>NOTE: Please see QuickSpecs for Technical Specifications and additional information: http://h18000.www1.hp.com/products/quickspecs/12506_na/12506_na.html</p>	
	HP T750 UPS	
	HP T750 UPS, Low Voltage	378439-D71
	<p>NOTE: Please see QuickSpecs for Technical Specifications and additional information: http://h18000.www1.hp.com/products/quickspecs/12192_na/12192_na.html</p>	
	HP PWR CRD 1.83m 10A C13-UL DOM	AF556A
USB Options	HP 1GB USB 2.0 Floppy Drive Key	442085-B21
	HP 256MB USB 2.0 Floppy Drive Key	442084-B21
	1.44MB External USB Floppy Drive ALL	DC141B
	HP USB 2-Button Optical Mouse ALL	DC172B
	HP USB 04 Standard Keyboard	DT528A#ABA
HP KVM Switch Options	HP 1x4 Console Switch	AF611A
	HP PS2 Server Console Cable, 6 foot, 2-Pack	AF612A
	HP USB Server Console Cable, 6 foot, 2-Pack	AF613A
	<p>NOTE: required for supporting USB peripherals.</p> <p>NOTE: For additional information regarding KVM Switches, Serial Console servers, rack mount monitors, keyboards and all related options please see the following URL: http://www.hp.com/go/kvm</p>	

Service and Support, HP Care Pack, and Warranty Information

Service and Support Offerings (HP Care Pack Services)	Hardware Services Next Business Day On-Site Service	
	9-Hour x 5-Day Coverage, 3 Years, Electronic	U4433E
	Hardware Services - 4-Hour On-site Service	
	13-Hour x 5-Day Coverage, 3 Years, Electronic	U4434E
	24-Hour x 7-Day Coverage, 3 Years, Electronic	U4435E
	Hardware Services 6-Hour Call to Repair On-Site Service	
	6-Hour Call to Repair, On-Site Service, 7-Day x 24-Hour Coverage, 3 Years, Electronic	U4436E
	Hardware Installation	
	Hardware Installation, Electronic	U4444E
	NOTE: For more information, customer/resellers can contact: http://www.hp.com/services/carepack	

Memory

HP ProLiant ML110 G5 Models

NOTE: Memory configurations listed do not apply to "Factory Integrated Models".

Standard Memory

SATA Models:

512 MB of PC2-6400 DDR2 SDRAM running at 800MHz with ECC capabilities memory installed (1 x 512 MB SDRAM DIMM).

SAS Models:

1 GB of PC2-6400 DDR2 SDRAM running at 800MHz with ECC capabilities memory installed (1x 1 GB SDRAM DIMM)

Standard Memory Plus Optional Memory

Up to 5 GB (SAS Model 6 GB) memory is available with the optional installation of 2 x 2 GB + 2 x 512 MB PC2-6400 un-buffered ECC DDR2 SDRAM DIMM Memory kits. (SAS Model 2 x 2 GB + 2 x 1 GB)

Standard Memory Replaced with Optional Memory

Up to 8GB of memory is available with the removal of the standard 512 MB (SAS model: 1 GB) of memory and the optional installation of 4x 2 GB PC2-6400 un-buffered ECC DDR2 SDRAM DIMM Memory kits.

NOTE: The below chart does not represent all possible memory configurations.

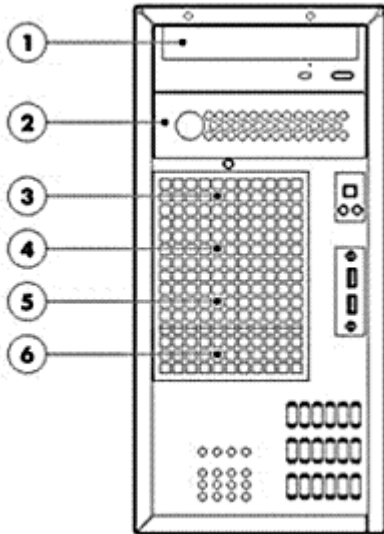
NOTE: For best performance, it is recommended that customer installs memory in identical pairs (Slots 1 and 3 are interleaving pair. Slots 2 and 4 are interleaving pair).

Memory		Slot			
		1	2	3	4
Standard	512 MB	512 MB	Empty	Empty	Empty
Optional	5 GB	512 MB	2 GB	512 MB	2 GB
Maximum	8 GB	2 GB	2 GB	2 GB	2 GB

Following are memory options available from HP:

2 GB Unbuffered PC2-6400 ECC DIMM (1 x 2 GB)	450260-B21
1 GB Unbuffered PC2-6400 ECC DIMM (1 x 1 GB)	450259-B21
512 MB Unbuffered PC2-6400 ECC DIMM (1 x 512 MB)	450258-B21

Storage



1 16x SATA DVD-ROM

2 Removable Media Bays (5.25" each)

3, 4, 5, Four Non-Hot Plug Drive Bays
6

Drive Support

	Quantity Supported	Position Supported	Controller
Removable Media			
DVD Drive	2	1 or 2	Integrated SATA
DVD-RW Drive	2	1 or 2	Integrated SATA

Hard Drives (SATA Models only)

SATA Non-Hot Plug Midline (MDL) Drives

	Quantity Supported	Position Supported	Controller
750GB 3G 7.2K	Up to 4	3,4,5,6	6 Port SATA controller with Embedded RAID on Motherboard
500GB 3G 7.2K			
250GB 3G 7.2K			

SATA Non-Hot Plug Entry (ETY) Drives

	Quantity Supported	Position Supported	Controller
160GB 3G 7.2K	Up to 4	3,4,5,6	6 Port SATA controller with Embedded RAID on Motherboard

SATA Non-Hot Plug Drives

	Quantity Supported	Position Supported	Controller
250GB 1.5G 7.2K	Up to 4	3,4,5,6	6 Port SATA controller with Embedded RAID on Motherboard
160GB 1.5G 7.2K			

Hard Drives (SAS Models only)



Storage

SAS - Non-Hot Plug Enterprise (ENT) Drives

	Quantity Supported	Position Supported	Controller
3.5-inch	Up to 4	3,4,5,6	HP 4 Internal Port SAS HBA SC40Ge with RAID (0,1)
450GB 3G 15K			
300GB 3G 15K			
146GB 3G 15K			
72GB 3G 15K			

SAS - Non-Hot Plug Drives

	Quantity Supported	Position Supported	Controller
300GB SAS 15K	Up to 4	3,4,5,6	HP 4 Internal Port SAS HBA SC40Ge with RAID (0,1)
146GB SAS 15K			
72GB SAS 15K			

Maximum Storage Capacity – SATA/SAS Models

Internal	SATA	SAS
	3.0TB (4 x 750GB)	1.8TB (4 x 450GB)

Tape Drives and Disk-Backup System

NOTE: Installation of SCSI tape drives in a ML110 G5 model requires SCSI controller kit (PN: 412911-B21).

NOTE: For an up-to-date listing of the latest O/S Support details for each of the Tape Drives listed below, please see the following:
http://h18000.www1.hp.com/products/quickspecs/north_america/10233.html

	Position Supported	Controller	Controller/HBA Option Kit Part Number
Internal USB Tape Drives	2	USB 2.0 port	N/A
DAT 40 USB			
DAT 72 USB			
DAT 160 USB			
External USB Tape Drives	External	USB 2.0 port	N/A
DAT 40 USB			
DAT 72 USB			
DAT 160 USB			
Internal SAS Tape Drives	2	HP SC44Ge Host Bus Adapter	416096-B21
DAT 160 SAS			
LTO-2 Ultrium 448 SAS			
LTO-3 Ultrium 920 SAS			
External SAS Tape Drives	External	HP SC44Ge Host Bus Adapter	416096-B21
DAT 160 SAS			
LTO-2 Ultrium 448 SAS			
LTO-3 Ultrium 920 SAS			
Internal SCSI Tape Drives	2	HP SC11Xe Host Bus Adapter	412911-B21
DAT 40			
DAT 72			
DAT 160			

Storage

External SCSI Tape Drives DAT 40 DAT 72 DAT 160	External	HP SC11Xe Host Bus Adapter	412911-B21
HP StorageWorks RDX Removable Disk Backup System RDX160 RDX320	2	USB 2.0 Port	N/A
HP StorageWorks D2D Backup Systems D2D120 D2D130	External	Embedded Network Controller	N/A

Power Specifications

Part Number	445067-001
Spare Kit	457884-001
Operational Input Voltage Range (Vrms)	100 to 127 and 200 to 240 V auto ranging
Frequency Range (Nominal) (Hz)	50 to 60 Hz

Nominal Input Voltage (Vrms)	100	120	200	230	240
Max Rated Output Wattage Rating	365	365	365	365	365
Nominal Input Current (A rms)	6	N/A	3	N/A	N/A
Max Rated Input Wattage Rating (Watts)	N/A	N/A	N/A	N/A	N/A
Max. Rated VA (Volt-Amp)	600	N/A	N/A	N/A	N/A
Efficiency (%)	>65%	>65%	>65%	>65%	>65%
Power Factor	N/A	N/A	N/A	N/A	N/A
Leakage Current (mA)	N/A	<0.45mA	N/A	N/A	N/A
Maximum Inrush Current (A peak)	N/A	No component was damaged and input fuse shall not blow	N/A	No component was damaged and input fuse shall not blow	N/A
Maximum Inrush Current duration (mS)	N/A	N/A	N/A	N/A	N/A

System Specifications

	Power **
HP ProLiant ML110 G5 Fully Configured	(see **)
Fully Loaded System output Wattage (W)	365W
Fully Loaded System Input Current (A rms)	6A @ 100V, 3A @ 200V
Fully Loaded System Thermal (BTU- Hr)	1915BTU
Fully Loaded System VA (Volt-Amp)	600 VA
System Leakage with all power supplies loaded (mA)	0.45mA@120V
System Inrush Current with all power supplies loaded (A)	<150A@ 240Vac
Power cord requirements	Nema 5-15P to IEC320-C13
	IEC320-C13 to IEC320-C14
	**Power shown is for a fully configured system ** consisting of (1) CPU, (4) double-sided DIMMs, (4) HDDs, (1) DVD-ROM, (4) PCI cards, and (1) power supply.
Power Cords (13 Cord Sets)	Power Cord Part Number
	121565-001

Technical Specifications

System Unit	Dimensions (HxWxD) (with feet)	14.5 x 6.9 x 16.8 in (36.7 x 17.5 x 42.6 cm)	
	Weight (approximate)	Maximum (all hard drives, power supplies, and processors installed)	39 lb (17.5 kg)
		Minimum (one hard drive, power supply, and processor installed)	23.81 lb (10.8 kg)
Input Requirements (per power supply)	Rated Line Voltage	90 to 132 VAC, 180 to 264 VAC	
	Rated Input Current	6 A (at 100 VAC), 3 A (at 200 VAC)	
	Rated Input Frequency	47 to 63 Hz	
	Rated Input Power	600 W (at 100 VAC), 600 W (at 200 VAC)	
Power Specifications	To review typical system power ratings use the Power Calculator which is available via the online tool located at URL: http://h30099.www3.hp.com/configurator/calc/Power%20Calculator%20Catalog.xls		
	<ul style="list-style-type: none"> - Click on the system of interest. Example: DL380 G5 - Follow the instructions of the next screens. 		
Power Supply Output (per power supply)	Rated Steady-State Power	365 W (at 100 VAC), 365 W (at 200 VAC)	
	Maximum Peak Power	385 W (at 100 VAC), 385 W (at 200 VAC)	
System Inlet Temperature	Operating	10° to 35°C (50° to 95°F) at sea level with an altitude derating of 1.0°C per every 305 m (1.8°F per every 1000 ft) above sea level to a maximum of 3050 m (10,000 ft), no direct sustained sunlight. Maximum rate of change is 10°C/hr (18°F/hr). The upper limit may be limited by the type and number of options installed. System performance may be reduced if operating with a fan fault or above 30°C (86°F).	
	Non-operating	-30° to 60°C (-22° to 140°F). Maximum rate of change is 20°C/hr (36°F/hr).	
Relative Humidity (non-condensing)	Operating	10% to 90% relative humidity (Rh), 28°C (82.4°F) maximum wet bulb temperature, non-condensing.	
	Non-operating	5% to 95% relative humidity (Rh), 38.7°C (101.7°F) maximum wet bulb temperature, non-condensing.	
Altitude	Operating	3050 m (10,000 ft). This value may be limited by the type and number of options installed.	

Technical Specifications

		Maximum allowable altitude change rate is 457 m/min (1500 ft/min).
	Non-operating	9144 m (30,000 ft). Maximum allowable altitude change rate is 457 m/min (1500 ft/min).
Acoustic Noise		Listed are the declared A-Weighted sound power levels (LWAd) and declared average bystander position A-Weighted sound pressure levels (LpAm) when the product is operating in a 23°C ambient environment. Noise emissions were measured in accordance with ISO 7779 (ECMA 74) and declared in accordance with ISO 9296 (ECMA 109).
	SATA Model	
	Idle	
	<i>L_{WAd}</i>	4.2 Bels
	<i>L_{pAm}</i>	26 dBA
	Operating	
	<i>L_{WAd}</i>	5.1 Bels
	<i>L_{pAm}</i>	34 dBA
	SAS Model	
	Idle	
	<i>L_{WAd}</i>	5.2 Bels
	<i>L_{pAm}</i>	34 dBA
	Operating	
	<i>L_{WAd}</i>	5.7 Bels
	<i>L_{pAm}</i>	40 dBA
Emissions Classification (EMC)	FCC Rating	Class B
	Normative Standards	CISPR 22; EN55022; EN55024; FCC CFR 47, Pt 15; ICES-003; CNS13438; GB9254; K22;K24; EN 61000-3-2; EN 61000-3-3; EN 60950-1; IEC 60950-1

NOTE: Product conformance to cited product specifications is based on sample (type) testing, evaluation, or assessment. This product or family of products is eligible to bear the appropriate compliance logos and statements.

Technical Specifications

HP 160GB 3.0G SATA 160GB 7,200 rpm
7.2K NHP 3.5" ETY HDD
458947-B21

Capacity	160,041 MB
Height	1.0 in. (26.1 mm)
Maximum drive dimension	
Width	4.0 in (101.6 mm)
Depth	5.787 in (147.0 mm)
Maximum drive dimension	
Interface	Serial ATA
Transfer Rate (Maximum)	3Gb/s
Native Command Queuing	N/A
Seek Time (typical reads, including settling)	Single Track 2.0 ms Average <11 ms Full-Stroke 23.0 ms
	Rotational Speed 7,200 rpm
Physical Configuration	Bytes/Sector 512 Logical Blocks 312,581,808
Operating Temperature	41° to 131° F (5° to 55° C)

NHP 72GB 3G SAS 15K 72GB 15K
3.5" HDD
432095-B21

Capacity	73,407,856,856
Height	1.0 in (25.4mm)
Width	4.0 in. (101.6 mm)
Interface	SAS
Transfer rate synchronous (maximum)	3 Gb/sec
Seek time (typical reads, including settling)	Single track 0.27 ms Average 3.5 ms Full-stroke 3.5 ms
	Rotational speed 15,000 rpm
Physical Configuration	Bytes/Sector 512 Logical Blocks 143,374,737
Operating Temperature	50° to 95° F (10° to 35° C)

Technical Specifications

16X Max SATA DVD-ROM Disk Drive	Applicable Disk	CD-ROM, CD-XA, CD-DA (Mode 1, Mode 2, Form 1 and 2) Photo CD (Single and Multi-session) CD-R, CD-RW Mixed Mode (Audio and Data combined) DVD-ROM DVD-R/RW, DVD+R/RW CD-R, CD-RW, DVD-ROM, DVD+R, DVD+RW	
	Capacity	4.7 GB (DVD-5) 8.54 GB (DVD-9)	
	Block Size	DVD Media 2,048 bytes	
	Interface	SATA	
	Access Times (typical)	Random	<140 ms
		Full-Stroke	<250 ms
	Data Transfer Rate	Sustained	8100 to 21600 KB/s (6X to 16X)
		Bus Rate	1.5 Gbps
	Cache Buffer	128 KB	
	Start-up Time (typical)	< 7 seconds	
	Stop Time	< 4 seconds	
	Laser Parameters	Type	Semiconductor Laser GaAlAs
		Wave Length	780 ± 25 nm
Operating Conditions	Temperature	41° to 122° F (5° to 50° C)	
	Humidity	10% to 90%	
Dimensions	(HxWxD, maximum)	1.7 x 5.85 x 8.11 in (42.9 x 150 x 195 mm)	
	Weight	2.64 lb (1.2 kg)	

HP 4 Internal Port SAS Host Bus Adapter (SAS/SATA HP Model)	SATA Protocol	SATA 1.5Gb/s
	SATA Ports	4 internal
	Port transfer rate	1.5 Gb/s total
	Maximum Capacity	up to 3.0TB (4 x 750GB Non-Hot Plug SATA HDD)
	RAID Levels Supported	RAID 1 (Mirroring) RAID 0 (Striping)
	Logical RAID Volumes Supported	2
	Dimensions (excluding bracket)	6.6 x 2.5 x 0.6 in (16.8 x 6.4 x 1.6 cm)
	Disk Drive and Enclosure Protocol Support	3 Gbps SAS (Serial Attached SCSI)
		1.5 Gbps SATA (Serial Advanced Technology Attachment)
	Architecture	64-bit
	SAS Connectors	1 internal SFF8484 x4 Wide SAS Connectors 12 Gbps per x4 Wide SAS Port (4 x 3 Gbps)
	Data Transfer Method	PCI-Express x8 - 2 GB/s maximum bandwidth

Technical Specifications

PCI Bus Speed	PCI-Express x8
Simultaneous Drive Transfer Ports	1 x4 Wide SAS Connectors
Port Transfer Rate	12 Gb/s per x4 Wide SAS Port (4 x 3 Gb/s)
Software upgradeable Firmware	Yes
Maximum Capacity	1.2TB (4 x 300GB)
Memory Addressing	64-bit, supporting servers memory greater than 4 GB
Logical Drives Supported	Up to 2 Logical Volumes Up to 10 drives total in all RAID volumes Up to 2 Drives per RAID 1 Up to 4 Drives per RAID 0
RAID Support	RAID 1 (Mirroring) RAID 0 (Striping)
Upgradeable Firmware	4-MB flashable ROM
Disk Drive and Enclosure Protocol Support	3 Gbps SAS and 1.5 Gbps SATA

HP SC40Ge SAS Host Bus Adapter with RAID

RAID Support	RAID 1 (Mirroring) RAID 0 (Striping)
Logical Drives Supported	Up to 2 Logical Volumes Up to 10 drives total in all RAID volumes Up to 2 Drives per RAID 1 Up to 8 Drives per RAID 0
Maximum Capacity	3.6TB (8 x 450GB)
Data Transfer Method	PCI-Express x8 - 2 GB/s maximum bandwidth
Port Transfer Rate	12 Gb/s per x4 Wide SAS Port (4 x 3 Gb/s)
Simultaneous Drive Transfer Ports	2 x4 Wide SAS Connectors
Protocols	3 Gbps SAS and 1.5 Gbps SATA 1.5 Gbps SATA (Serial Advanced Technology Attachment)
External SAS Connectors	None
Internal SAS Connectors	2 internal SFF8484 x4 SAS Connectors
Upgradeable Firmware	4MB flashable ROM

Technical Specifications

Embedded NC105i PCIe Gigabit Server Adapter	Network Interface	Integrated 10/100/1000BASE-T Transceiver Combines a triple-speed IEEE 802.3TM – Compliant Media Access Controller (MAC) with a triple-speed Ethernet transceiver.
	Data Transfer Method	Compliant to x1 PCIe Specification
	Network Transfer Rate	10Base-T (Half-Duplex) 10 Mb/s
		10Base-T (Full-Duplex) 20 Mb/s
		100Base-TX (Half-Duplex) 100 Mb/s
		100Base-TX (Full-Duplex) 200 Mb/s
		1000Base-TX (Half and Full-Duplex) 2000Mb/s
	Connector	RJ-45 connector
	Cable Support	Performs all the physical layer functions for 10BASE-T, 100BASE-T, and 1000BASE-T Ethernet on standard Category 5 UTP

Environment-friendly Products and Approach	End-of-life Management and Recycling	Hewlett-Packard offers end-of-life HP product return, trade-in, and recycling programs in many geographic areas. For trade-in information, please go to http://www.hp.com/go/green . To recycle your product, please go to: http://www.hp.com/go/green or contact your nearest HP sales office. Products returned to HP will be recycled, recovered or disposed of in a responsible manner.
---	---	---

The EU WEEE directive (2002/95/EC) requires manufacturers to provide treatment information for each product type for use by treatment facilities. This information (product disassembly instructions) is posted on the Hewlett Packard web site at: <http://www.hp.com/go/green>. These instructions may be used by recyclers and other WEEE treatment facilities as well as HP OEM customers who integrate and re-sell HP equipment.

© Copyright 2008 Hewlett-Packard Development Company, L.P.

The information contained herein is subject to change without notice.

Microsoft and Windows NT are US registered trademarks of Microsoft Corporation. Intel, the Intel logo, Xeon and Xeon Inside are trademarks of Intel Corporation in the U.S. and other countries.

The only warranties for HP products and services are set forth in the express warranty statements accompanying such products and services. Nothing herein should be construed as constituting an additional warranty. HP shall not be liable for technical or editorial errors or omissions contained herein.

For hard drives, 1GB = 1 billion bytes. Actual formatted capacity is less.