

MODEL

ZEROtherm® CPU Cooler ZT-10D

Features

Designed for Over-Clockers

- 6pcs of 8mm Heat Pipe for Large Capacity Heat Transfer
- Efficient Air-flow by ZEROtherm's Own Air-Guide Design
- High Efficient Pure Copper Base
- Dual Fan Mount (Fan is an optional item)
- High Performance Thermal Compound Included

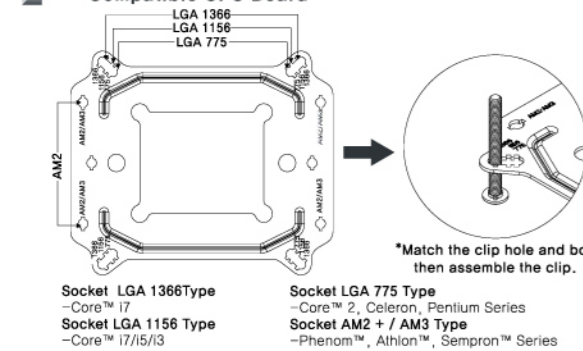
Variable CPU Supports

- Intel 775/1156/1366 Socket Compatible
- AMD AM2+/AM3 Socket Compatible

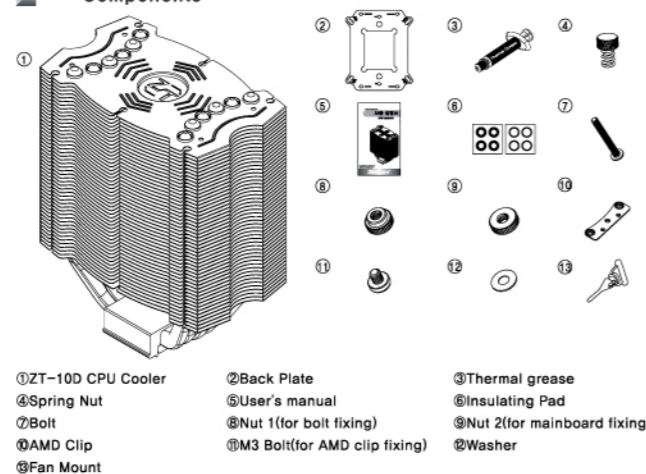
Specifications

Item	Model	ZT-10D
Size		127(L) x 74 (W) x 160 (H)
Weight		885g
Heat dissipation area		8,800cm ²
Heat pipe		φ8mm, 6EA
Material	Fin	Aluminum
	Base	Copper
	Heat pipe	Copper

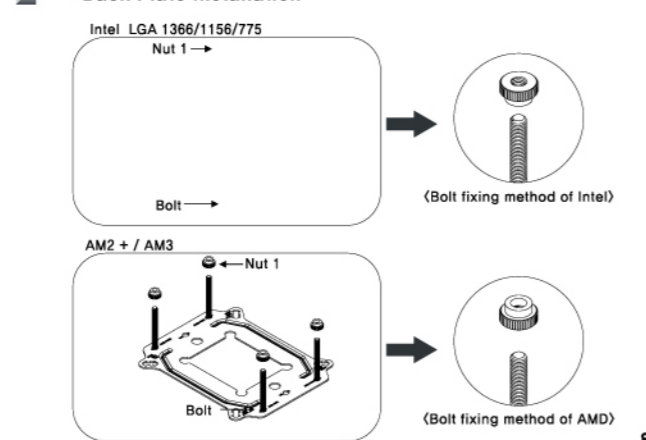
Compatible CPU Board



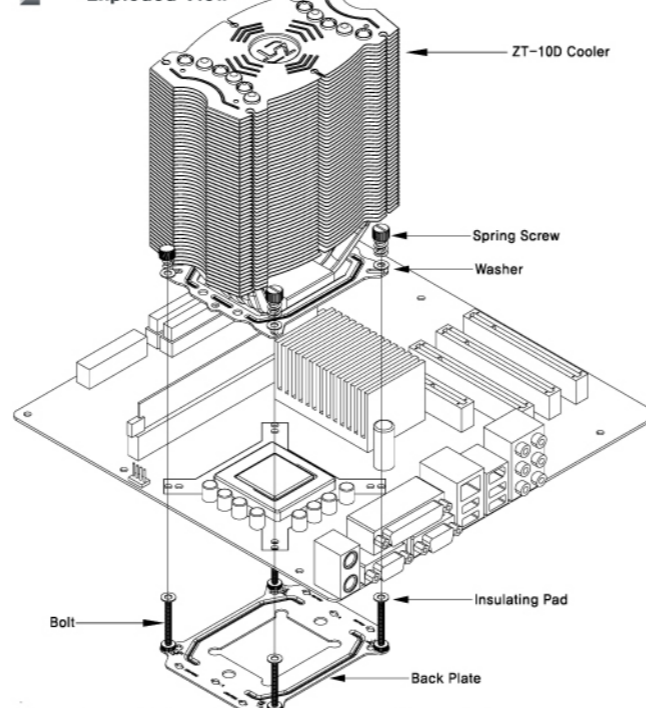
Components



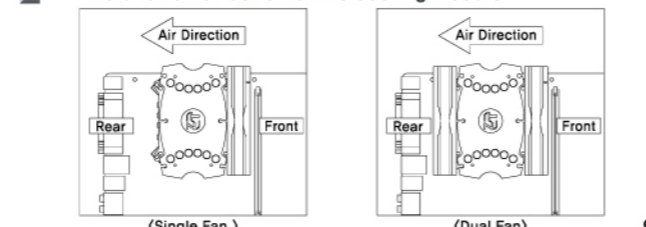
Back Plate Installation



Exploded View

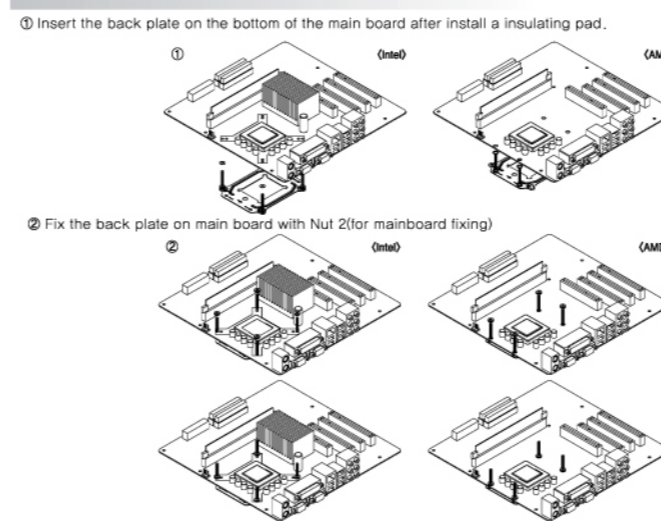


Installation direction of the cooling module

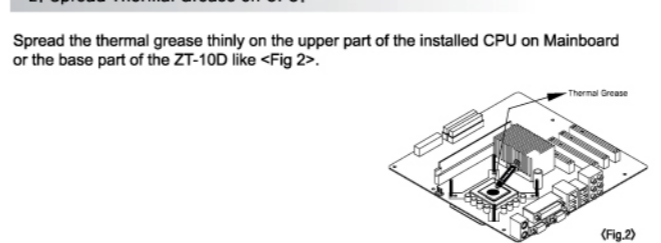


Installation

1. Install Back Plate.

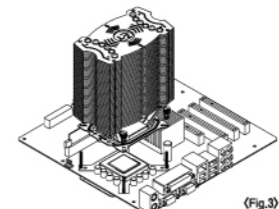


2. Spread Thermal Grease on CPU.



3. Install Cooler.

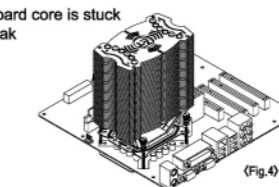
Put the ZT-10D on the thermal grease spread CPU and fix the bolt arranging clip and back plate.



4. Secure the CPU cooler by spring screw.

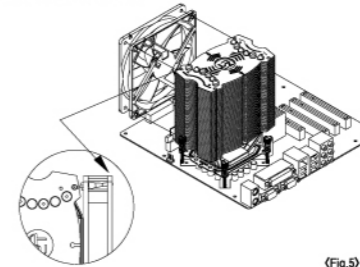
Put spring screw on the bolt and fix clockwise.

※ Please make sure that CPU cooler and Mainboard core is stuck completely together and be cautious not to break the core.



5. Install fan on CPU Cooler.

Connect Fan mount after fixing CPU Cooler on Mainboard like <Fig.5> (Fan is optional).



Notice

Please read this user's manual carefully before installation to get the cooler's best performance by optimized installation. ZEROtherm® is not responsible for any damage or deflection to the product or injury caused by incorrect installation or user's carelessness. ZEROtherm® ZT-10D Cooler is designed and optimized for Intel/AMD reference Mainboard. The cooler possibly cause an interference with few Intel/AMD designed Mainboard and if you face an interference between ZEROtherm® cooler and your Mainboard, please stop installing the cooler. Be sure to be careful do not hurt yourself by the sharp fins while installing & disassembling the cooler. Do not move the cooler around after the installation to prevent CPU damage. Please, do not use the cooler for any other usage from the original purpose.

Warranty

- Warranty : 2 Years from purchasing date
- For your warranty claims, please contact ZEROtherm's overseas distribution partners in your country where listed at www.zerotherm.net.
- URL : www.zerotherm.net
- E-mail : support@apack.net