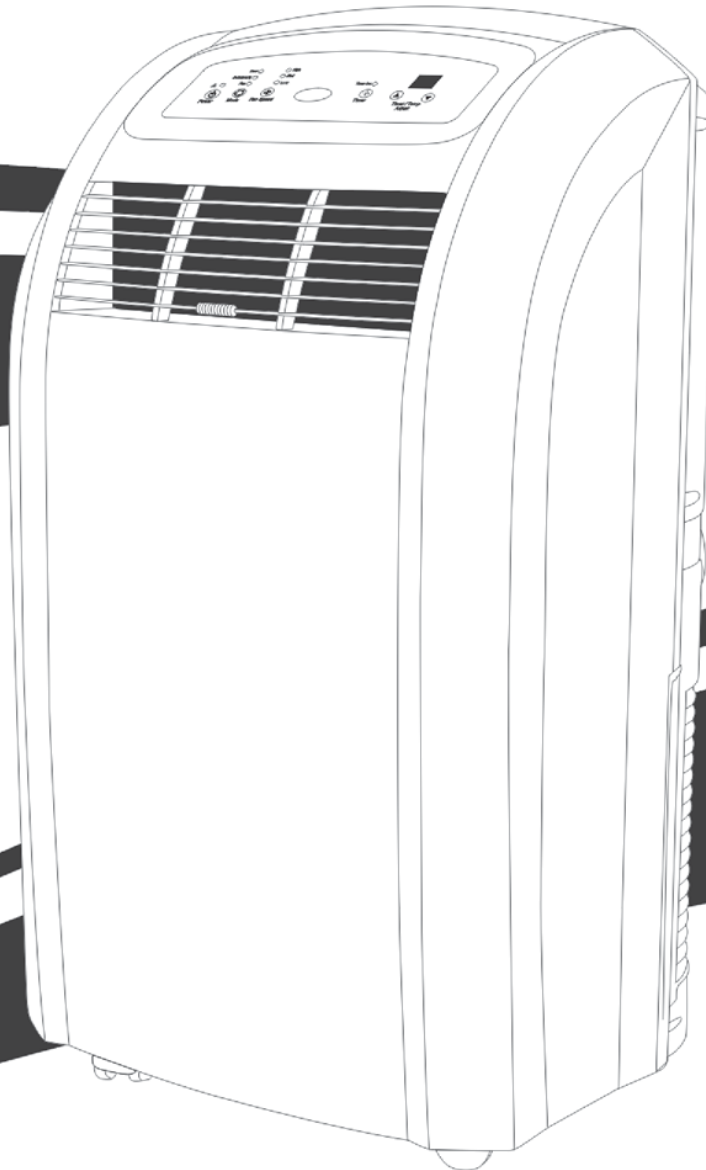


Whynter

**ARC-12S**

# **PORTABLE AIR CONDITIONER**



**Model No. ARC-12S**

**BTU: 12000**

## **User Manual**

# Introduction

---

Thank you for choosing the Whynter ARC-12S air conditioner for your home, apartment, or office. This appliance can be easily moved from room to room and set up in just minutes.

This is a multi-functional room air-exchanging, air-processing appliance, designed to provide the following functions: Air Conditioning, Dehumidifying, Heating (for heating mode only) and Independent Fan.

This manual will provide you with valuable information necessary for the proper care and maintenance of your new appliance. Please take a few moments and read the instructions thoroughly. If properly maintained, your appliance will maintain a high level of energy efficiency and give you many years of trouble free operation.

## Electrical Specifications

1. All electrical wiring at your location of use must comply with applicable electrical codes/regulations and should have been installed by a qualified electrician. If you have any questions regarding the following instructions, contact a qualified electrician.
2. Check the available power supply and resolve any wiring problems before installation and operation of this unit.
3. For your safety and protection, this unit is grounded through the power cord plug when plugged into a matching wall outlet. If you are not sure whether the wall outlets in your home are properly grounded, please consult an electrician. **DO NOT** use plug adapters or extension cords with this unit.

# Warning

Improper handling can cause serious damage to the appliance. Read this manual carefully before operating the unit.

Do not expose the unit to liquids or excessive moisture.



Do not cover the air outlet while in use.



Keep children away from the unit and do not drop any objects into the air outlet.



Do not sit or place items on the unit.



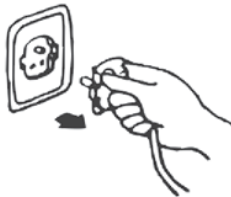
Always turn the unit off and remove the power plug from the socket when cleaning.



Do not attempt to remove any part of the casing.



Remove the plug from the socket if the unit will be unused for an extended period.



Use only the correct power supply AC115V/60Hz



Do not operate the unit with a damaged plug or loose socket point.



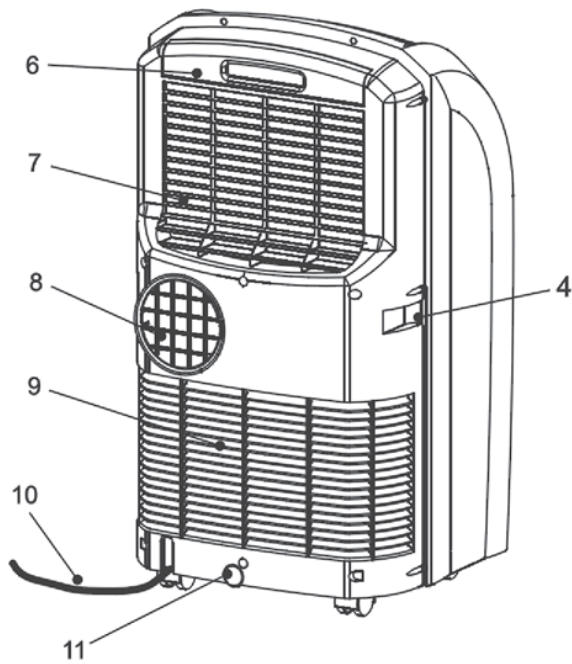
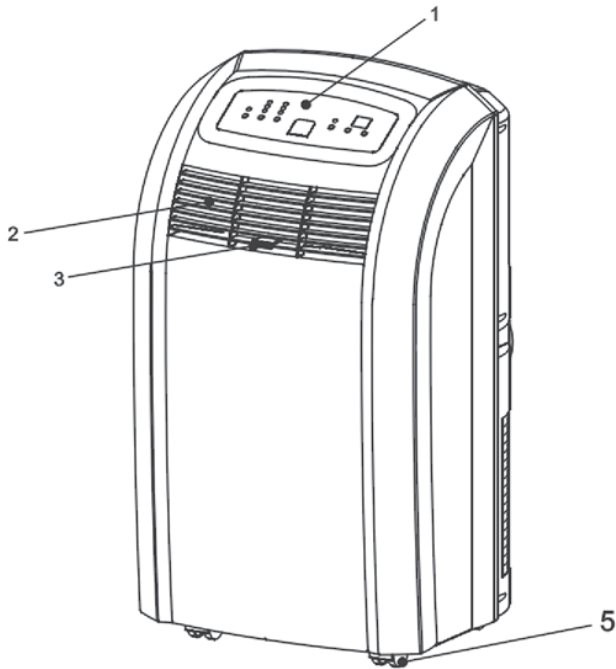
Make sure that the back of the unit is at least 5 inches or more away from a wall. To ensure proper air intake, do not place the unit in front of curtains or drapes. Route the power cord carefully to avoid a tripping hazard.

## WARNING

- If the power cord on this unit is damaged it must be replaced by the manufacturer, its service agent or qualified persons in order to avoid a hazard.
- This appliance is not intended for use by children or other persons without assistance or supervision if their physical, sensory or mental capabilities prevent them from using it safely. Children should not be allowed to operate the unit unsupervised.
- This appliance is intended for domestic use only. Any other use may invalidate the warranty and might be dangerous.

# Identification of parts

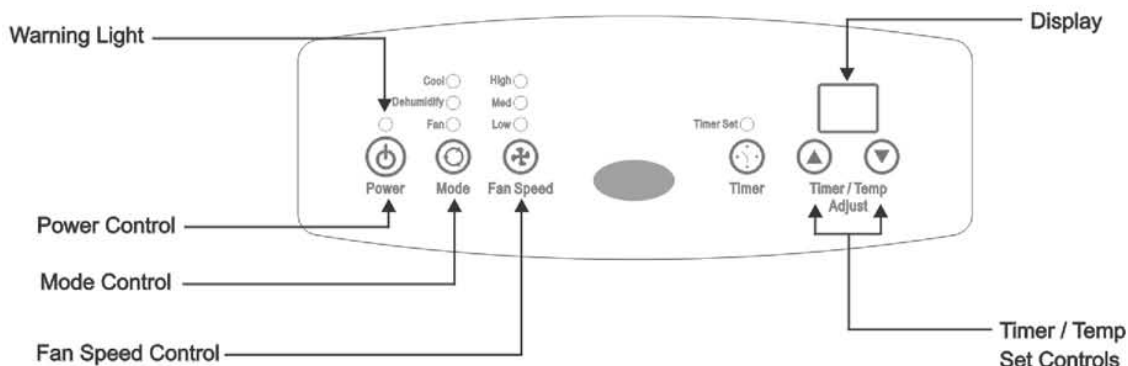
## Identification of parts



1. Control panel
2. Air outlet
3. Air deflector (Left-Right)
4. Handle hole
5. Caster
6. Air filter
7. Air intake (Evaporator)
8. Air outlet (Heat exchange)
9. Air intake (Condenser)
10. Power supply cord
11. Water outlet drain

# Operation

## CONTROL PANEL



### Power Control

The power control turns the unit on and off.

### Warning Light ▲

Condensed water may accumulate in the unit. If the internal tank becomes full, the warning light will light up and the unit will not operate until the unit has been drained.

### Mode Control

The Mode Control has three settings:

#### ● Cool ● Dehumidify ● Fan

The settings are adjusted with Mode Control button. A light will indicate which setting is currently being used.

#### ● Cooling Mode

When cool mode is selected, the indicator light turns green. During the cooling mode the air is cooled and hot air is exhausted to the outside through the exhaust tube. Adjust fan speed and air temperature to suit your desired comfort level.

**Note : The air exchange hoses must vent outside the room when using cool mode.**

#### ● Dehumidify Mode

When dehumidify mode is selected, the indicator light turns orange. Air is dehumidified as it passes through the unit, without being in full cooling mode. If room temperature is higher than 77 degree Fahrenheit, fan speed can be adjusted; otherwise fan speed is fixed to "Low".

**Note : If the unit is to be used as a dehumidifier, do not connect the exhaust hose if the window kit vented outside, some cooling may occur. Continuous drainage is then necessary.**

#### ● Fan Mode

When fan mode is selected the indicator light will shine yellow. Air is circulated throughout the room with no cooling.

**Note: unit does not need to be vented in Fan mode**

### Fan Speed Control

The Fan Speed Control has 3 settings: High, Medium, and Low.

### Timer

#### Auto turn off :

With machine in running mode, press timer button to select number of hours you would like the unit to run in air conditioning mode until it automatically shuts off.

#### Auto turn on :

With machine stand by mode, press timer button to select number of hours until you would like the unit to automatically start running in air conditioning mode.

### Timer / Temperature set controls

- Used for adjusting the timer and thermostat.
- The default display is set temperature.
- In cooling mode, when "▲" or "▼" button is pressed, the set temperature is displayed and may be adjusted. The time is adjustable between 1~24 hours.  
**Note : By pressing both Timer / Temp set buttons at the same time, the display will toggle between Celsius and Fahrenheit.**

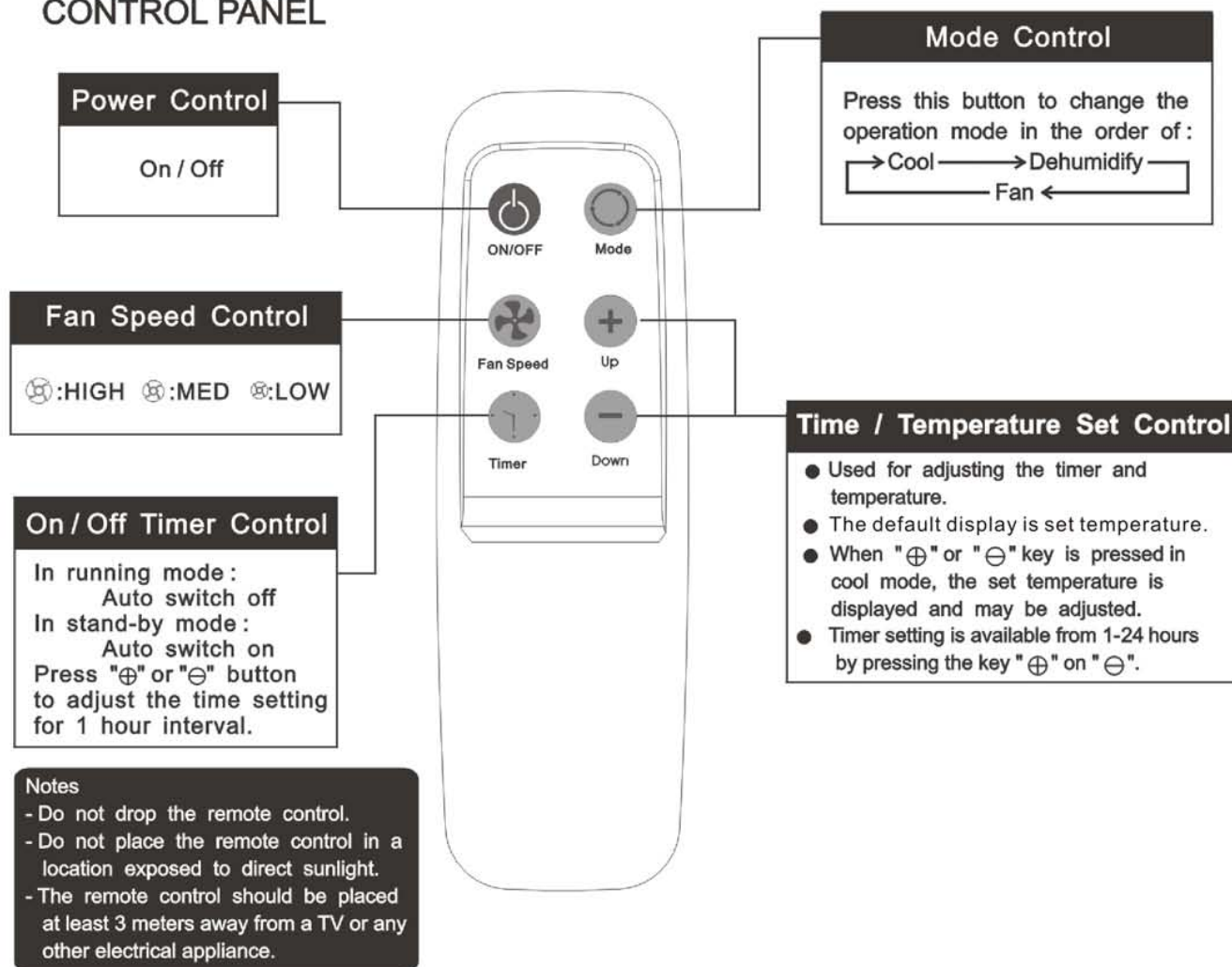
**After switching the air conditioner off, you must wait 3 minutes before switching it back on again.**

# Operation

## Air Conditioner Remote Control

The function are similar to your air conditioner's touch controls.  
All key functions can be accessed using the remote control.

## CONTROL PANEL



**Battery replacement :** Remove the cover on the back of the remote control and insert the batteries with the (+) and (-) poles pointing in the proper direction.



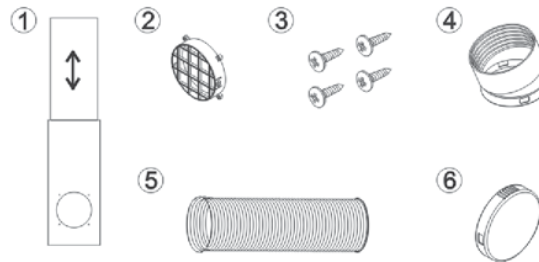
### CAUTION

- Use only AAA or IEC R03 1.5V batteries.
- Remove the batteries if the remote control is not used for a month or longer.
- Do not attempt to recharge the supplied batteries.
- All batteries should be replaced at the same time, do not use new and old batteries together.
- Do not dispose of the batteries in a fire as they may explode.

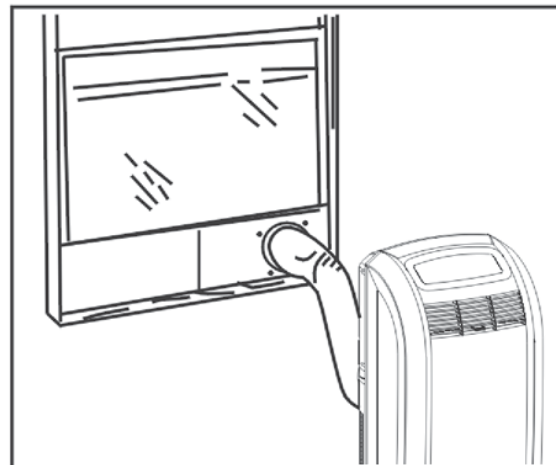
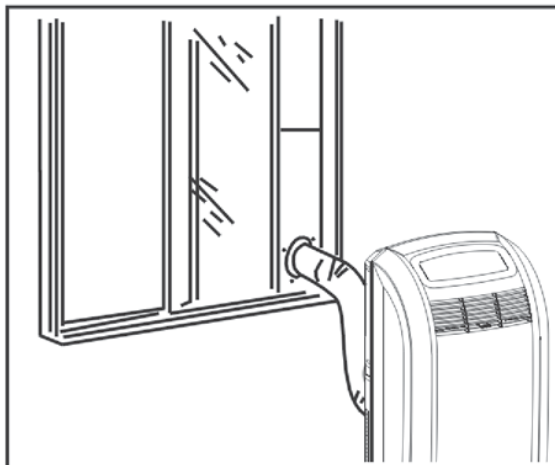
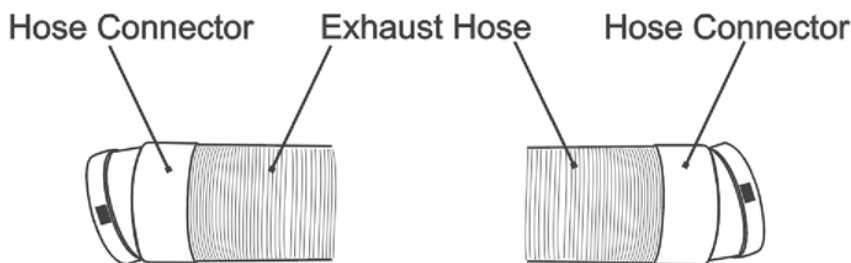
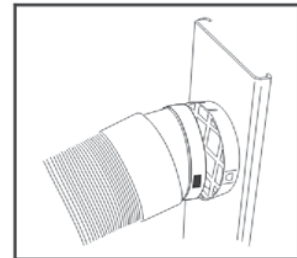
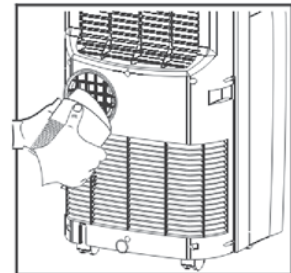
# Installation instructions

## Accessories Include

- 1. Window / Patio door slider kit.... 1 set
- 2. Fixture ..... 1 piece
- 3. Screws ..... 4 pieces
- 4. Heat exhaust hose connector ... 2 pieces
- 5. Heat exhaust hose ..... 1 piece
- 6. Cover ..... 1 piece



- 1. Adjust the plastic panel to the width or height of your window and tighten the 2 screws that are attached to the panel.
- 2. Push the round window panel adapter through the rear of the plastic panel. Line up the holes and tighten the adapter with 4 screws that are included in the kit. (Tighten screws from the front).
- 3. Install the window plastic panel into the window. If necessary use duct tape to better secure the panel.
- 4. Connect exhaust hose to the unit by inserting the hose connector that is attached to the hose into the exhaust.
- 5. Move the unit to the window, extend the hose and attach the other end of the hose to the window. Align the tabs on the hose and window panel adapters and fasten them together.



# Installation instructions

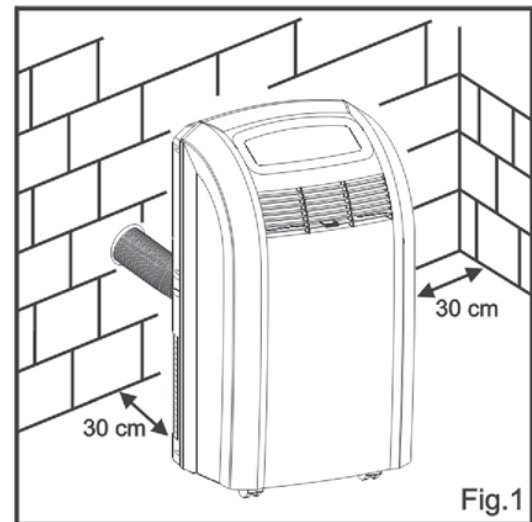
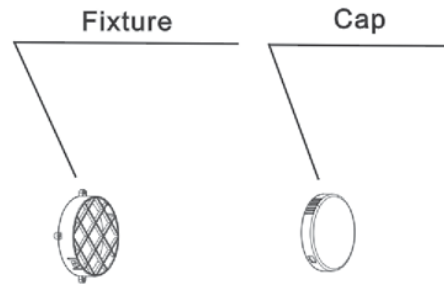
## AIR CONDITIONING WITH INSTALLATION

If required, your appliance can also be installed semi permanently (Fig.1)

Proceed as follows :

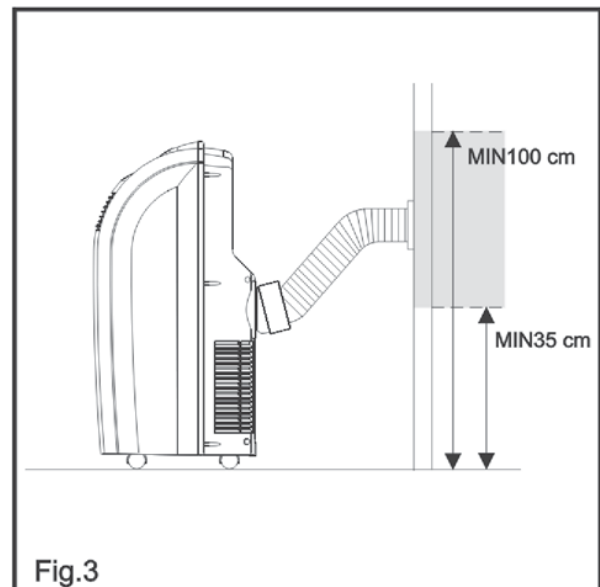
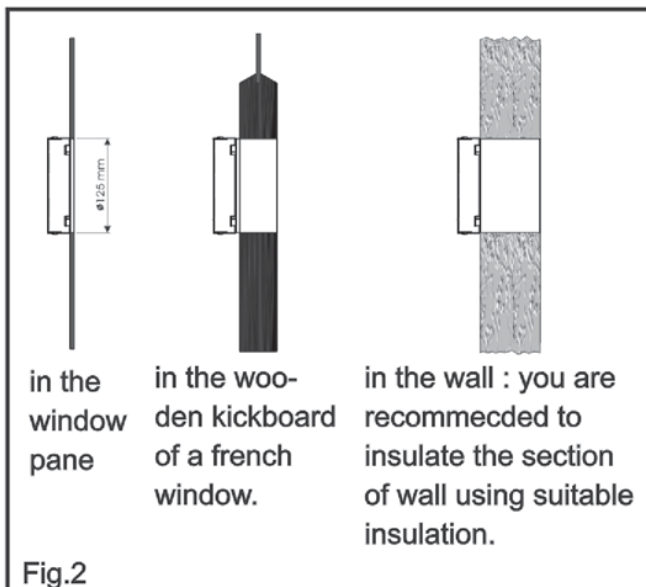
- Drill a hole in an outside wall or through a window pane.  
Align the height and dimensions of the hole as shown in Fig. 2.
- Fit the flange accessory fixture provided into the hole.
- Fit the exhaust hose into the housing at the back of the unit.
- Insert the other end of the exhaust hose into the flange previously secured on the wall as shown in Fig.3.

When the hose is not in use, place the cap over the connector to cover the hole.



### NOTE :

When installing the air conditioner semi permanently, you should leave a door slightly open (as little as 1cm) to guarantee sufficient ventilation.





# Troubleshooting

Problem	Possible Causes	Solutions
The portable air conditioner does not turn on	<p>There was a power failure</p> <p>The automatic switch, line fuse, or breaker has been tripped</p> <p>The power supply voltage is too low</p> <p>The power cord is damaged</p> <p>The LCDI plug for the unit is tripped</p>	<p>Restore the power supply</p> <p>Flip the switch / change the fuse / turn the breaker back on. Also note that you may have too many appliances drawing power on one circuit, so you may need to move the other appliances to another circuit</p> <p>Move the unit onto another circuit with the correct voltage</p> <p>Call for service. Only authorized personnel should replace damaged power cord or power plug</p> <p>Press the Reset button on the LCDI plug</p>
The unit turns on, but the compressor does not turn on (the fan runs but the unit is not cooling)	<p>The room temperature is outside of the operational tolerances of the unit</p> <p>The Cooling mode is not on</p> <p>The compressor has not turned on yet because of time delay</p> <p>The set temperature is too high</p> <p>The internal water reservoir is full</p>	<p>This unit is designed to work in ambient temperatures of 64°F to 95°F</p> <p>Press the Mode Control button until the Cooling icon is selected</p> <p>Give the compressor 3 minutes to turn on after the Cooling mode has been selected</p> <p>Set the air conditioner to a lower temperature</p> <p>Either manually drain the water or allow the unit to exhaust the water itself. Then cooling will resume</p>
The air coming out of the unit is not very cold, or the airflow volume is weak	<p>The filters are dirty or obstructed</p> <p>The air intake is obstructed</p> <p>The exhaust is obstructed</p> <p>The unit is set to low fan speed</p>	<p>Clean the filters</p> <p>Make sure there is at least 20" of clearance from the air intake and the length of the exhaust hose is as short as possible</p> <p>Check for and remove any obstructions</p> <p>Set the unit to a higher fan speed</p>
The unit has worked for a long time, but the room is not cold enough	<p>Windows or doors are open</p> <p>There are too many people in the room</p> <p>There is direct sunshine into the room</p> <p>The room is a kitchen, with many heat-producing appliances</p> <p>There is a server in the room</p> <p>The room is too large</p> <p>There are many electrical appliances in the room</p>	<p>Close all windows and doors into the room when the unit is cooling</p> <p>You may need additional cooling or another air conditioner</p> <p>Close curtains and blinds and try to minimize the amount of direct sunlight into the room</p> <p>You may need additional cooling or another air conditioner</p> <p>You may need additional cooling or another air conditioner</p> <p>You may need additional cooling or another air conditioner</p> <p>You may need additional cooling or another air conditioner</p> <p>You may need additional cooling or another air conditioner</p>
The unit is very noisy	<p>The unit is not level</p> <p>The surface underneath the unit is uneven</p>	<p>Make sure the unit is level</p> <p>Move the unit to a location with a level and hard floor</p>
The unit is leaking water onto the floor	<p>The unit is tilted or is not level</p> <p>The water tank is full</p>	<p>Make use the unit is level</p> <p>Drain water from the drain plug at the back of the air conditioner</p>

# Troubleshooting

## Appliance maintenance

### 1 Cut off the power supply

Switch off the air conditioner and disconnect from the power outlet.



### 2 Cleaning the air conditioner

Use a soft damp cloth to wipe the body of the air conditioner.



### 3 Never use harsh chemicals, oil-based products or other cleaning solutions.



### 4 Do not spill water onto the air conditioner



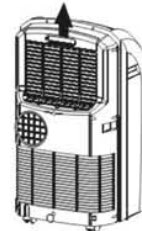
Avoid risk of shock, never use the unit in wet areas.

## Air filter maintenance

To ensure the air intake is filtered properly, it is crucial to clean the air filter after about 100 hours of use.

### 1 Stop the appliance and remove the air filter.

Turn off the unit and remove the air filter from the unit



### 2 Clean and reinstall the air filter

Use a vacuum cleaner or tap lightly to remove loose dust. Then rinse thoroughly under warm running water. Dry thoroughly before re-inserting the filter.



### 3 **WARNING!**

**Never operate the air conditioner without the filter in place.**

## END OF SEASON STORAGE

- Switch off the air conditioner and disconnect the plug from the power supply outlet before cleaning the air conditioner.
- Clean the air filter.
- Drain the condensed water **COMPLETELY**
- On a warm day, turn on the Fan only mode for a couple of hours so that the inside can dry out completely.
- It is recommended that the air conditioner be put back into its original carton for storage.
- Do not stack heavy objects on top of the air conditioner.
- Make sure to store the remote control with the air conditioner.

# Specifications

- Figures noted, in the contents are for reference only; variation may result due to application in different countries or regions, and shall be based on the best of practical operation.

Description of product	Air Conditioner
Model	ARC-12S
Voltage/Frequency	AC 115~60 Hz
Power input	1080W
Cooling capacity	12000 BTU/hr
Dehumidifying capacity	4.0 Pint/h
Coolant	R-410A
Timer	24 hour
Air flow volume	320m <sup>3</sup> /hour
Dimensions (W) X(H)X (D)	435 X 785 X 390 mm
Weight (N.W.)	66 LBs

"Waste electrical products should not be disposed of with household waste. Please recycle where facilities exist. Check with your local authority or retailer for recycling advice."



## **ONE YEAR LIMITED WARRANTY & THREE YEAR WARRANTY ON COMPRESSOR**

This WHYNTER portable air conditioner is warranted, to the original owner within the 48 continental states, for one year from the date of purchase against defects in material and workmanship under normal use and service. Should your Whynter portable air conditioner prove defective within one year from the date of purchase, return the defective part or the unit, freight prepaid (within two months of purchase; after two months to one year, customer will be responsible for freight cost to Whynter's service department), along with an explanation to Whynter's service department. Please ship the Whynter portable air conditioner in its original packaging material to avoid damage in transit. Please retain original box and packaging material. Under this warranty, Whynter will repair or replace any parts found defective. This warranty is not transferable. After the expiration of the warranty, the cost of labor and parts will be the responsibility of the original owner of the unit.

### **THIS WARRANTY DOES NOT COVER:**

- Acts of God, such as fire, flood, hurricanes, earthquakes and tornadoes.
- Damage, accidental or other wise, to the portable air conditioner while in the possession of a consumer not caused by a defect in material or workmanship.
- Damage caused by consumer misuse, tampering, or failure to follow the care and special handling provisions in the instructions.
- Damage to the finish of the housing, case, or other appearance parts caused by wear.
  - 1) Filter.
  - 2) Damage caused by repairs or alterations of the unit by anyone other than authorized by the manufacturer.
  - 3) Freight and Insurance cost for the warranty service.

**To obtain service or information, contact**

**Whynter Innovations Group via Email at [service@whynter.com](mailto:service@whynter.com) or call 866-WHYNTER.**