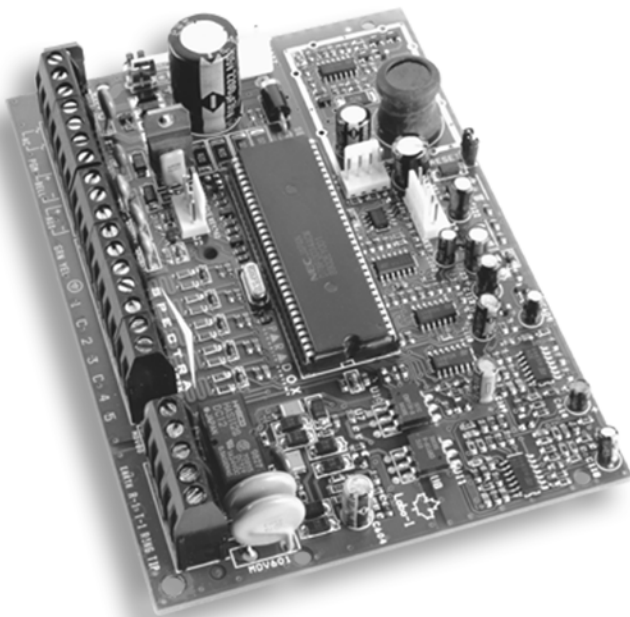


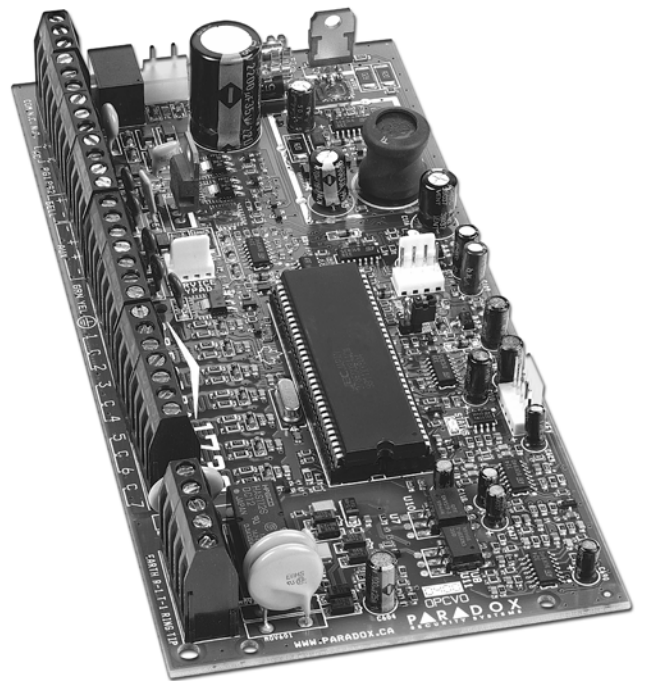
SPECTRA™



REFERENCE & INSTALLATION MANUAL SPECTRA CONTROL PANELS V2.1



1728EX and 1728



1738EX and 1738

TABLE OF CONTENTS

Introduction	4
Features.....	4
Specifications.....	4
Detectors, Keypads and Expansion Modules	5
Installation	7
Location and Mounting	7
Earth Ground	8
AC Power.....	9
Backup Battery	9
Auxiliary Power Terminals	9
Telephone Line Connection.....	10
Bell Output Connection.....	10
Programmable Output Connections.....	10
Single Zone Inputs.....	11
Double Zone Inputs (with ATZ Option only).....	11
Keypad and Keypad Zone Connections	12
Keyswitch Connections.....	13
Fire Circuits.....	13
Programming Methods.....	13
WinLoad Software for Windows.....	13
Programming Using a Keypad	13
Configuring The LED Keypads	14
Programming Using A Paradox Memory Key	16
Access Codes	16
Access Code Length.....	17
Installer Code (Default: 000000).....	17
System Master Code (Default: 123456).....	17
User Code Options	17
Lock Master Code.....	18
Duress Code.....	18
Zone Programming.....	19
What is an Expansion Input?	19
Reassign Keypad Zone 2	19
Reassign Zones to Expansion Inputs (1728EX & 1728 Only)	20
Zone Programming	20
Zone Definitions.....	21
Exclusive Zone Definitions.....	22
Zone Partition Assignment.....	23
Zone Options	23
Zone Speed	25
EOL Zones.....	25
ATZ - Zone Doubling (1728 and 1738 only).....	25
Arming and Disarming Options.....	27
Switch To Stay Arming.....	27
Stay Arming with Delay.....	27
Regular Arming switches to Force Arming.....	27
Restrict Arming On Battery Fail	27
Restrict Arming On Tamper Failure	27
Timed Auto-Arming.....	28
No Movement Auto-Arming.....	28
Auto-Arming Options.....	28
One-Touch Arming.....	29
Exit Delay.....	29
Bell Squawk On Arm/Disarm With Keypad.....	29
Bell Squawk On Arm/disarm with Remote Control	29
No Exit Delay When Arming with Remote Control.....	29

No Exit Delay Beeps and No Bell Squawk When Stay Arming.....	29
Alarm Options	30
Bell Cut-Off Timer	30
Recycle Alarm.....	30
Tamper Recognition.....	30
Keypad Panic Options	31
Panic Lockout Timer	31
Reporting and Dialer settings.....	32
Reporting/Dialer (Enable/Disable)	33
Report Codes.....	33
Central Station Telephone Numbers.....	36
Partition Account Numbers	36
Reporting Formats	36
Pager Delay	37
Event Call Direction	38
Dialing Method	38
Pulse Ratio	38
Bell on Communication Failure.....	38
Dial Tone Delay	38
Maximum Dialing Attempts	39
Delay Between Dialing Attempts.....	39
Alternate Dial Option.....	39
Recent Close Delay	39
Auto Test Report.....	39
Power Failure Report Delay.....	39
Disarm Reporting Options.....	40
Zone Restore Report Options.....	40
Telephone Line Monitoring (TLM).....	40
Programmable Outputs.....	41
PGM Activation Event.....	41
PGM Deactivation Event.....	41
PGM Delay	42
PGM Normal State.....	42
PGM2 Strobe Options (1738EX and 1738 only).....	42
Alarm Relay Options (1738EX and 1738 only).....	42
System Settings.....	43
Hardware Reset.....	43
Installer Lock.....	43
Keypad Lockout Feature.....	43
Battery Charge Current.....	43
Partitioning.....	43
System Real-Time Clock	44
Clock Adjust.....	44
Keypad Tamper Supervision.....	44
Keypad Audible Trouble Warning	44
Confidential Mode	45
Installer Quick Functions Keys.....	45
4-Output Bus Module Supervision	45
Printer Bus Module Supervision.....	46
Zone Expansion Bus Module Supervision	46
Wireless Bus Module Supervision	46
Wireless Transmitter Low Battery Supervision	46
Wireless Transmitter Supervision Options.....	46
ReProgram All Expansion Modules	47
Settings for WinLoad Software.....	48
Panel Answer Options	48
Panel Identifier	48
PC Password	48
PC Telephone Number	48

Call WinLoad Software	49
Answer WinLoad Software.....	49
Auto Event Buffer Transmission	49
Call Back WinLoad.....	49

User Operation 50

Trouble Display	50
Programming Access Codes	51
Disarming & Deactivating an Alarm	52
Regular Arming	52
Stay Arming	52
Instant Arming.....	52
Force Arming	53
Manual Bypass Programming.....	53
One-Touch Arming.....	54
Keyswitch Arming	54
Panic Alarms.....	54
Auto-Arming.....	54
Alarm Memory Display.....	54
Programming Chime Zones.....	55
Keypad Muting.....	55
Keypad Backlight (1686H and 1686V only)	55

FCC WARNINGS 56

Index..... 58

LIST OF TABLES

Transformer Requirements Table	9
Current Consumption Table.....	9
Decimal and Hexadecimal Programming Table.....	14
Zone Recognition Table.....	19
Example.....	19
Zone Display with 10-Zone LED Keypad	20
Special Keys for Telephone Numbers	36
Reporting Formats	36
Zone Tamper Report Code for Keypad Tamper Supervision Failure	44
Trouble List	50

PART 1: INTRODUCTION

1.1 FEATURES

- Up to 16 fully programmable zones
- Two completely independent partitions. Many of the features and options in the Spectra System can be independently set for each partition such as event reporting, entry/exit delay, auto-arming and many more. All zones, the keyswitches and all user codes are assigned to specific partitions, which makes this a true partitioned system.
- Communication bus facilitates the adding, programming and monitoring of all expansion modules.
- 1 Installer Code and 48 User Codes (including: 1 System Master, 2 Masters, and 1 Duress)
- 1738/EX: 2 on-board, fully programmable outputs (PGMs) and 1 optional 5A alarm relay
- 1728/EX: 1 on-board, fully programmable output
- Simple, direct and logical programming
- Event Call Direction: The Spectra Series Control Panel events are divided into 5 groups of events. Each of these event groups can be programmed with a separate dialing sequence.
- Two 32-digit Central Station Telephone Numbers and one 32-digit Backup Telephone Number
- Contact ID, Pager Format and many more High-Speed Communication Formats
- "False Alarm Prevention" features such as: Intellizone, Auto Zone Shutdown, Beep on Exit Delay, Programmable Delay Before Alarm Transmission, and Recent Closing Report
- Regular Arming, Stay Arming, Instant Arming, Force Arming, One-Touch Arming, Auto-Arming, or Keyswitch Arming
- 256 Event Buffer with time stamp
- Telephone Line Supervision
- Keypad activated panic alarms
- Compatible with Winload Security System Management Software for Windows®

1.2 SPECIFICATIONS

1.2.1 SPECTRA 1728/EX AND 1738/EX CONTROL PANELS

- AC Power:* 16VAC transformer with minimum 20VA rating (Rec.: 40VA), 50 to 60Hz
- Battery: 12VDC, 4Ah/7Ah
- Aux. Power:† 600mA typical, 700mA maximum, fuseless shutdown @ 1.1A
- Bell Output:†† 1A, fuseless shutdown @ 3A
- PGM Outputs: PGM1 = 150mA for 1728EX and 1728
PGM1 and PGM2 = 1A for 1738EX and 1738 only

1.2.2 SPECTRA KEYPADS (1686H, 1686V, 1689 & 1641)

- Power input: 9-16VDC,
- 1 standard keypad zone
- On-board Tamper Switch (optional)

1686H & 1686V 10-Zone LED Keypad

- Current Consumption: 62 to 116mA

1689 16-Zone LED Keypad

- Current Consumption: 50 to 117mA

1641 32-Character LCD Keypad

- Current Consumption: 60 to 80mA
- PGM: 1 with 50mA current limit
- LCD: Super Twisted Nematic display (STN), Wide viewing angle, Backlight & Contrast adjustable

* Only the 16.5VAC, 40VA version is UL listed.

† 200mA typical for UL installations

†† 1A for UL installations total, including PGM options

1.3 DETECTORS, KEYPADS AND EXPANSION MODULES

If you would like to obtain more information on our line of keypads, security system accessories or other security products, please contact your local Paradox distributor or visit our web site at <http://www.paradox.ca>.

1.3.1 SPECTRA 1686H AND 1686V 10-ZONE LED KEYPADS

The elegant Spectra 1686H/1686V LED keypads' patented *Key-light* feature provides a user-friendly display of the system's current status. For example, if zone 5 is open, the [5] key turns on. What could be simpler? Designed to be compatible with any Spectra Series control panel, our Euro-style Spectra keypads eliminate stocking and ordering concerns.



1.3.2 SPECTRA 1689 16-ZONE LED KEYPADS

The Spectra 1689 LED keypad's brilliant display provides instant feedback of the system's current status. Designed to be compatible with any Spectra Series control panel, this ergonomic and user-friendly keypad will complete any installation.



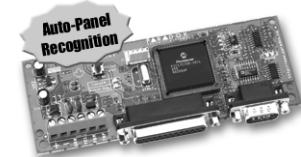
1.3.3 SPECTRA 1641 LCD KEYPAD

The 1641 is a 32-character programmable LCD keypad which includes a zone input as well as a PGM output. View zone, event and trouble status for one or more partitions, display entry/exit delay, adjust contrast, backlight, and many other features. Most messages in the LCD keypad are programmable.



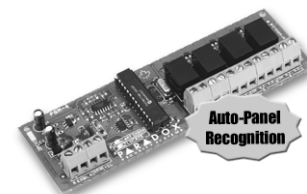
1.3.4 PRINTER BUS MODULE

The Printer Module (APR3-PRT1) provides you with the ability to automatically print events as they occur in the system or the events can be stored in the module's event buffer so you can print the events manually. The events can be sent to a dot matrix printer or can be viewed and printed from a computer. Includes a 50mA PGM output. Due to its Auto-panel Recognition feature, modules with the APR- prefix are compatible with Spectra (versions 2.0 and higher) and Digiplex. Modules with the APR3- prefix are compatible with Spectra (versions 2.0 and higher), Digiplex and DigiplexNE.



1.3.5 4-OUTPUT BUS MODULE*

When connected to the Spectra communication bus, this module (APR3-PGM4) will provide four additional 5A programmable outputs to the Spectra system. Due to its Auto-panel Recognition feature, modules with the APR- prefix are compatible with Spectra (versions 2.0 and higher) and Digiplex. Modules with the APR3- prefix are compatible with Spectra (versions 2.0 and higher), Digiplex and DigiplexNE.



* Not UL listed

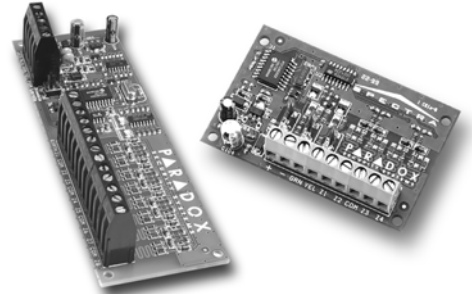
1.3.6 INTOUCH VOICE-ASSISTED ARM/DISARM BUS MODULE*

Using a touch-tone telephone, users can arm or disarm their security system from a distance as well as activate or deactivate the APR3-ADM2's on-board PGM output. Due to its Auto-panel Recognition feature, modules with the APR- prefix are compatible with Spectra (versions 2.0 and higher) and Digiplex. Modules with the APR3- prefix are compatible with Spectra(versions 2.0 and higher), Digiplex and DigiplexNE.



1.3.7 ZONE EXPANSION BUS MODULES*

Connected to the Spectra control panel's communication bus, the fully supervised zone expansion modules provide you with up to 4 (SPC/APR3-ZX4) or up to eight (SPC/APR3-ZX8) additional hardwired inputs and one normally open 50mA PGM output (SPC/APR3-ZX8 only). Due to its Auto-panel Recognition feature, a module with the APR- prefix is compatible with Spectra (versions 2.0 and higher) and Digiplex. Modules with the APR3- prefix are compatible with Spectra(versions 2.0 and higher), Digiplex and DigiplexNE.



1.3.8 WIRELESS BUS MODULE*

Connected to the Spectra control panel's communication bus, the fully supervised Wireless Bus Module (SPC-319) allows you to add up to eight fully programmable remote controls and up to eight Liberator Wireless Detectors and Contact Switches (door contacts). The SPC-319 also provides one programmable 5A relay (PGM). A second 5A programmable relay (PGM) is available as an option.



1.3.9 PARAVOX™ - VOICE DIALER*

In areas where security system monitoring is not available, let the sophisticated Paravox voice dialer take over. Compatible with any control panel, the Paravox will verbally report system status by phone, advising of detection of burglary, fire, flood or any other situation programmed to generate a report condition. Fully programmable over the telephone (no external keypad required), the Paravox guides the end user through all system functions with a full set of voice prompts. All the user needs to remember is their P.I.N. The "Key Ahead" feature eliminates the frustration and time wasted for experienced operators by allowing them to key-in selections before a prompt ends.



1.3.10 DIGITAL DETECTORS

The Paradox Digigard™ (50/60/70) digital motion detectors can immediately identify the signal produced by a moving human body and will not be triggered by any other occurrences in the protected area. False alarms are virtually eliminated. Using 100% digital detection technology and smart digital processing software leaves no room for error. With the Digigard 70, animal lovers can maximize their security protection. Thanks to the unique design of the patent-pending Digigard "pet-friendly" lens and dual "decision" optics, the Digigard 70 double-checks every movement signal.

Take all that's good about infrared digital detection, add an advanced microwave "supervisor" and you have Digital Vision motion detectors. Once the Vision's digital infrared detector identifies an intruder, its microwave sensor must confirm the presence of movement before an alarm is triggered.



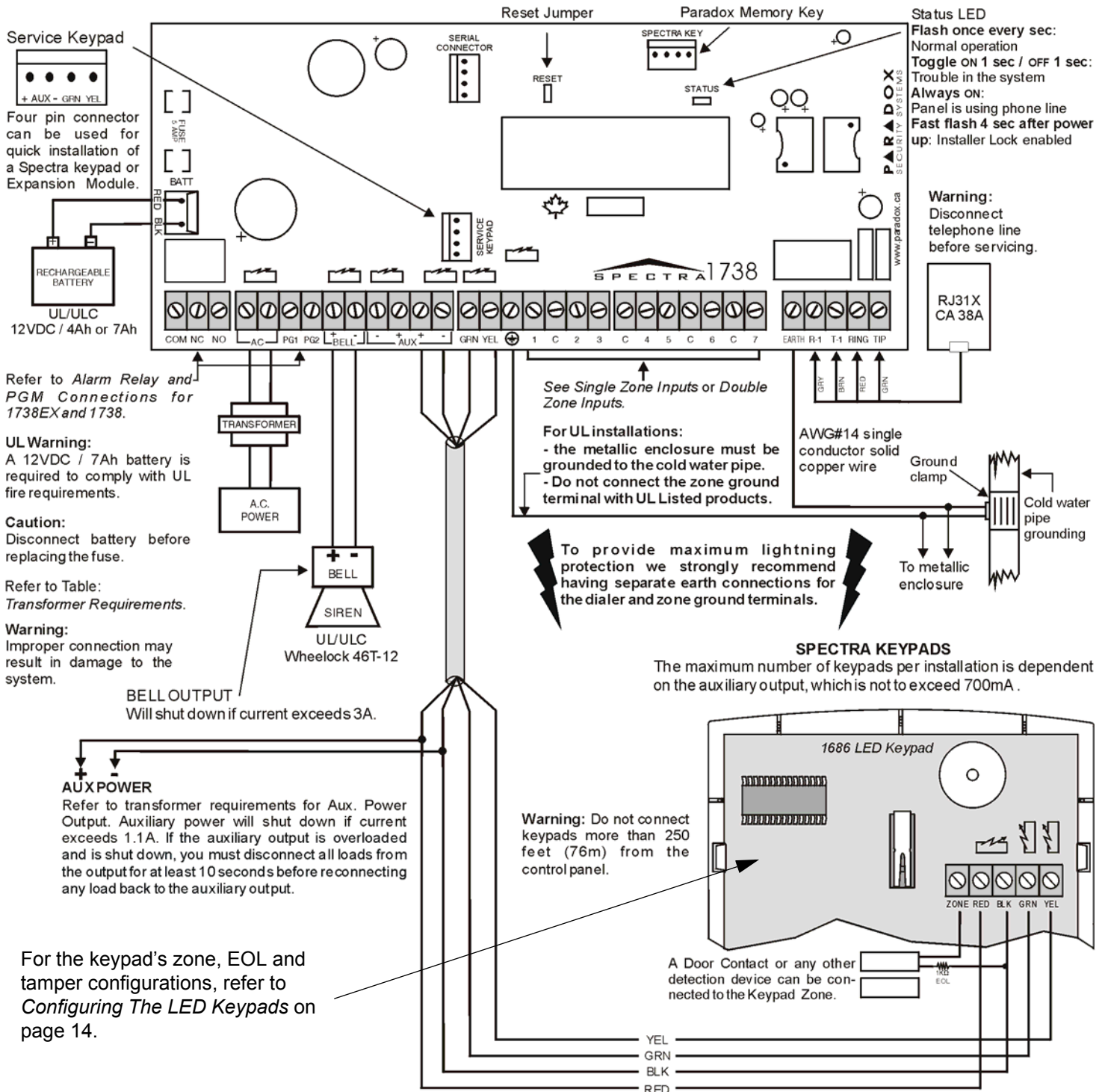
* Not UL Listed

PART 2: INSTALLATION

2.1 LOCATION AND MOUNTING

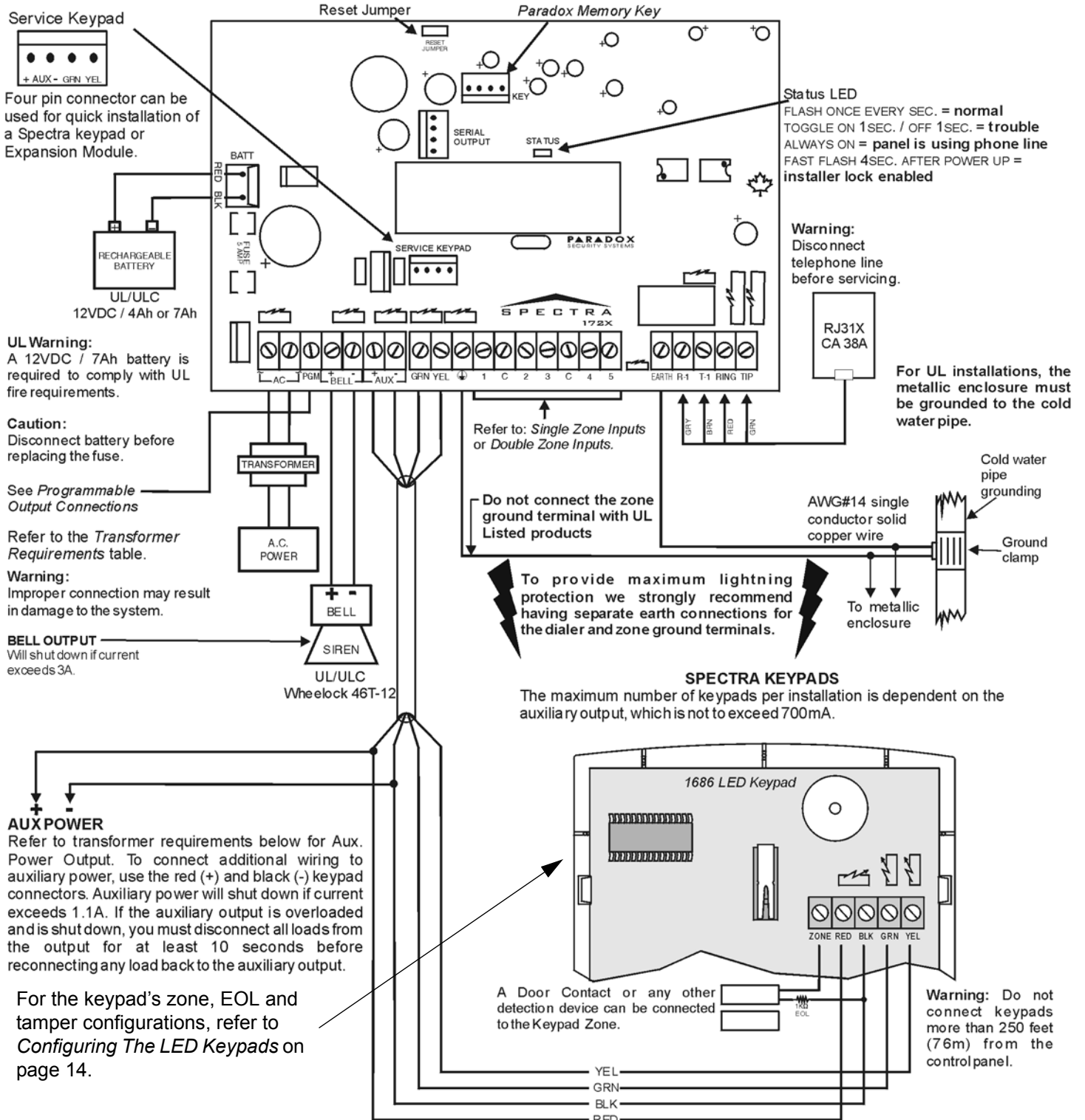
Before mounting the cabinet, push the five white nylon mounting studs into the back of the cabinet. Pull all cables into the cabinet and prepare them for connection before mounting the circuit board into the back of the cabinet. Select an installation site that isn't easily accessible to intruders and leave at least 2in. (5cm) around the panel box to permit adequate ventilation and heat dissipation. The installation site should be dry and close to an AC source, ground connection and telephone line connection.

Figure 2.1: Spectra 1738EX and 1738 Control Panel Overview



On UL Listed Systems, all outputs are rated at 11.3Vdc to 12.6Vdc. All outputs are Class 2 or power-limited, except for the battery terminal. The Class 2 and power-limited fire alarm circuits shall be installed using CL3, CL3R, CL3P, or substitute cable permitted by the National Electrical Code, ANSI/NFPA 70.

Figure 2.2: Spectra 1728EX and 1728 Control Panel Overview



On UL Listed Systems, all outputs are rated at 11.3Vdc to 12.6Vdc. All outputs are Class 2 or power-limited, except for the battery terminal. The Class 2 and power-limited fire alarm circuits shall be installed using CL3, CL3R, CL3P, or substitute cable permitted by the National Electrical Code, ANSI/NFPA 70.

2.2 EARTH GROUND

Connect the zone and dialer ground terminals from the control panel to the metallic enclosure and cold water pipe or grounding rod as per local electrical codes.



For maximum lightning protection, use separate earth grounds for the zone and dialer grounds as shown in Figure 2.1 on page 7. For UL installations, the metallic enclosure must be grounded to the cold water pipe.

2.3 AC POWER

Do not use any switch-controlled outlets to power the transformer. Connect the transformer as shown in Figure 2.1 on page 7. Use Table 1 to determine the required transformer.

Table 1: Transformer Requirements Table

Transformer:	Amseco XP-1620 16VAC 20VA (Not verified by UL)	UL: Basler Electric BE156240CAA007 16.5VAC 40VA
Spectra DC Power Supply rated at:	1.2A	1.5A
Auxiliary Supply can provide a maximum of:	typ: 600mA, max: 700mA	typ: 600mA, max: 700mA
Acceptable Battery Charge Currents	350mA	350mA/700mA

2.4 BACKUP BATTERY

In order to provide power during a power loss, connect a 12VDC 4Ah rechargeable acid/lead or gel cell backup battery as shown in Figure 2.1 on page 7. Use a 7Ah battery to comply with UL fire requirements. Connect the backup battery after applying AC power. When installing verify proper polarity as reversed connections will blow the battery fuse. Also, refer to *Battery Charge Current* on page 43.

2.4.1 BATTERY TEST

If the battery is disconnected or if the battery fuse is blown, a No/Low Battery failure will appear in the keypads' *Trouble Display* (see page 50). This trouble will also appear if the battery's capacity is too low or if the voltage drops to 10.5 volts or lower while the control panel is running on the backup battery. At 8.5 volts or lower, the panel shuts down and all outputs close.

2.5 AUXILIARY POWER TERMINALS

The auxiliary power supply terminals can be used to power motion detectors, keypads and other modules or accessories in the security system. A fuseless circuit protects the power supply against current overload and automatically shuts down if the current exceeds 1.1A. If this occurs, the Maximum Auxiliary Current failure will appear in the keypads' *Trouble Display* (see page 50). Therefore, the combined current consumption of devices connected to the auxiliary power supply should not exceed 700mA. If the auxiliary output is overloaded and is shut down, you must disconnect all loads from the output for at least 10 seconds before reconnecting any load back to the auxiliary output.



Modules with the APR- prefix are compatible with Spectra (versions 2.0 and higher) and Digiplex. Modules with the APR3- prefix are compatible with Spectra (versions 2.0 and higher), Digiplex and DigiplexNE.

Table 2: Current Consumption Table

Modules	Current Consumption	
	Typical	Maximum
Spectra 1686H and 1686V 10-Zone LED Keypad	62mA	116mA
Spectra 1689 16-Zone LED Keypad	50mA	117mA
Spectra 1641 LCD Keypad	60mA	80mA
Wireless Expansion Bus Module (SPC-319)	70mA	70mA
8-Zone Hardwire Bus Modules (APR3-ZX8)	30mA	30mA
4-PGM Output Bus Module (APR3-PGM4)	13mA	150mA
Printer Bus Module (APR3-PRT1)	22mA	40mA
4-Zone Expansion Bus Module (SPC-ZX4)	12mA	12mA
InTouch Voice-Assisted Arm/Disarm Bus Module (APR3-ADM2)	70mA	105mA
Motion Detectors (see detector instructions for details)	10 to 50mA	

2.6 TELEPHONE LINE CONNECTION

In order to report system events to the central station, you must connect the incoming telephone company wires into the TIP and RING connections of the control panel and then run the wires from T1 and R1 to the telephone or telephone system as shown in Figure 2.1 on page 7.

2.7 BELL OUTPUT CONNECTION

The BELL+ and BELL- terminals power bells, sirens and other warning devices requiring a steady voltage output during an alarm. The bell output supplies 12VDC upon alarm and can support one 30-watt or two 20-watt sirens. The bell output uses a fuseless circuit and will automatically shut down if the current exceeds 3A. When this occurs the Maximum Bell Current failure will only appear in the keypads' *Trouble Display* (see page 50) during an alarm. If the load on the BELL terminals returns to normal, the control panel will re-instate power to the BELL terminals during the next alarm. When connecting sirens, please verify correct polarity. Connect the positive lead to the BELL+ terminal and the negative lead to the BELL- terminal of the control panel as shown in Figure 2.1 on page 7.



If the BELL output is not being used, the Bell Disconnected failure will remain in the keypads' Trouble Display (see page 50). To avoid this connect a 1KΩ resistor across the BELL terminals.

2.8 PROGRAMMABLE OUTPUT CONNECTIONS

When a specific event occurs in the system, a PGM can reset smoke detectors, activate strobe lights, open/close garage doors and much more.

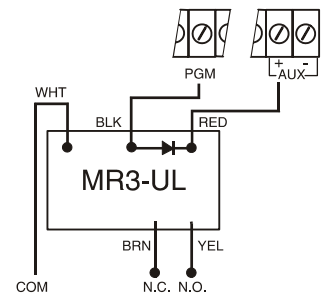
2.8.1 PGM FOR 1728EX AND 1728

The Spectra 1728/EX control panels include one on-board programmable output (PGM). PGM1 provides a maximum 150mA output. If the current draw on the PGM is to exceed the current output, we recommend the use of a relay as shown in Figure 2-2. For details on how to program the PGM, refer to *PGM Programming* on page 41.

2.8.2 ALARM RELAY AND PGMs FOR 1738EX AND 1738

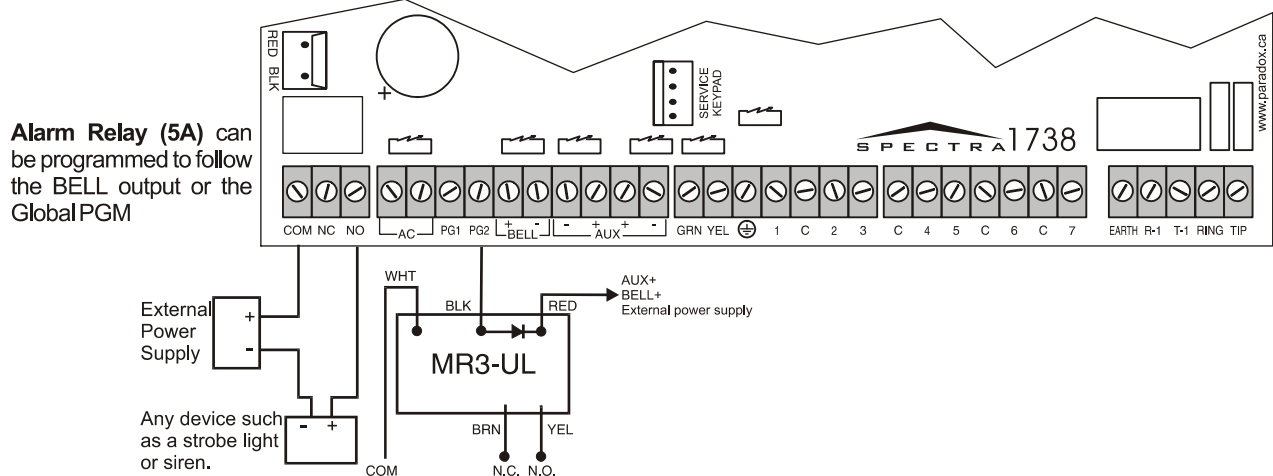
The Spectra 1738/EX control panels include two on-board programmable outputs (PGMs). PGM1 and PGM2 provide up to 1A and PGM2 can be used as a strobe output (see page 42). The PGMs are limited by the power source being used. If powered by the BELL+ terminal, the combined current consumption of the bell output and PGM must not exceed 1A. If it is powered by the AUX+, the devices connected to the auxiliary power supply and PGM must not exceed 1.1A. If it is powered by an external device, PGMs can supply 1A. If the current draw on the PGM is to exceed the current output, we recommend using a relay (see Figure 2.4). For details on how to program the PGM, refer to *PGM Programming* on page 41.

Figure 2.3: PGM



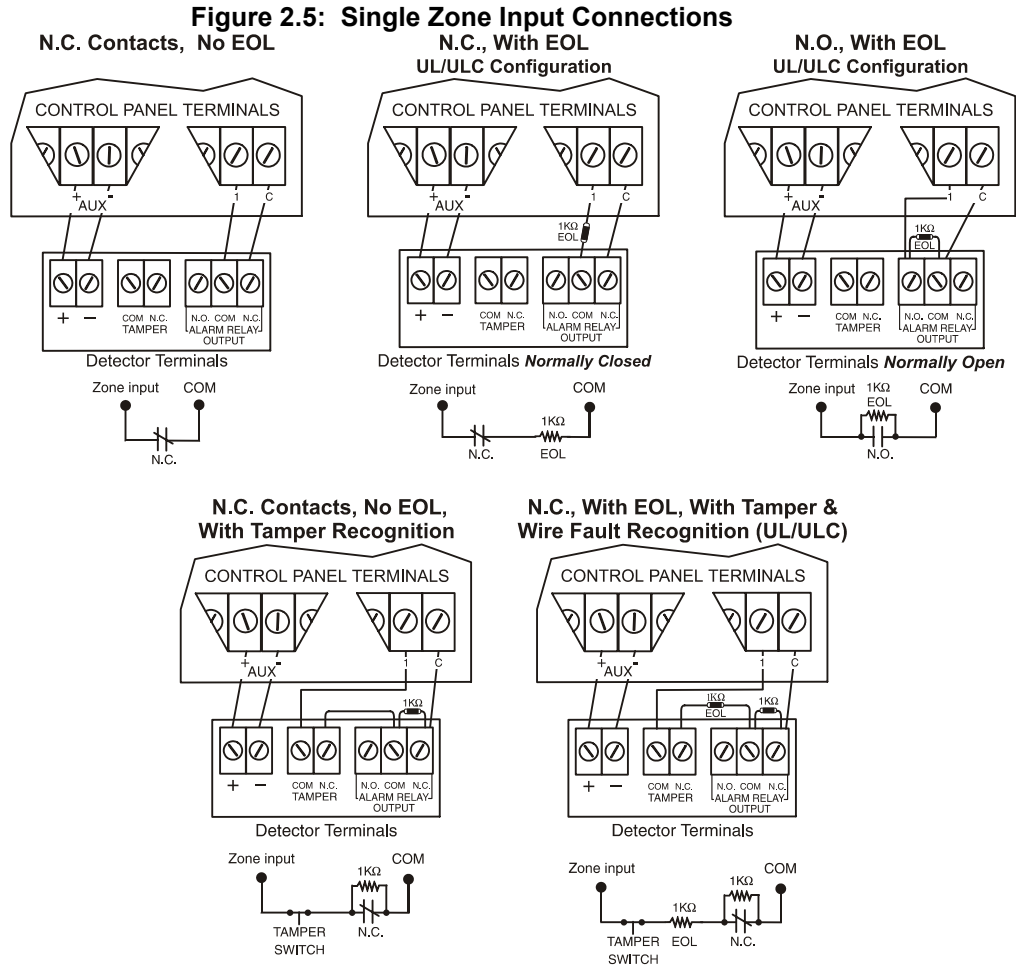
The Spectra 1738/EX control panels also have an optional 5A relay. This relay can be connected as shown in Figure 2.4. The Alarm Relay can be programmed to follow the bell output or the activation and deactivation of the Global PGM (see *Alarm Relay Options* on page 42).

Figure 2.4: Relay and PGM Connections



2.9 SINGLE ZONE INPUTS

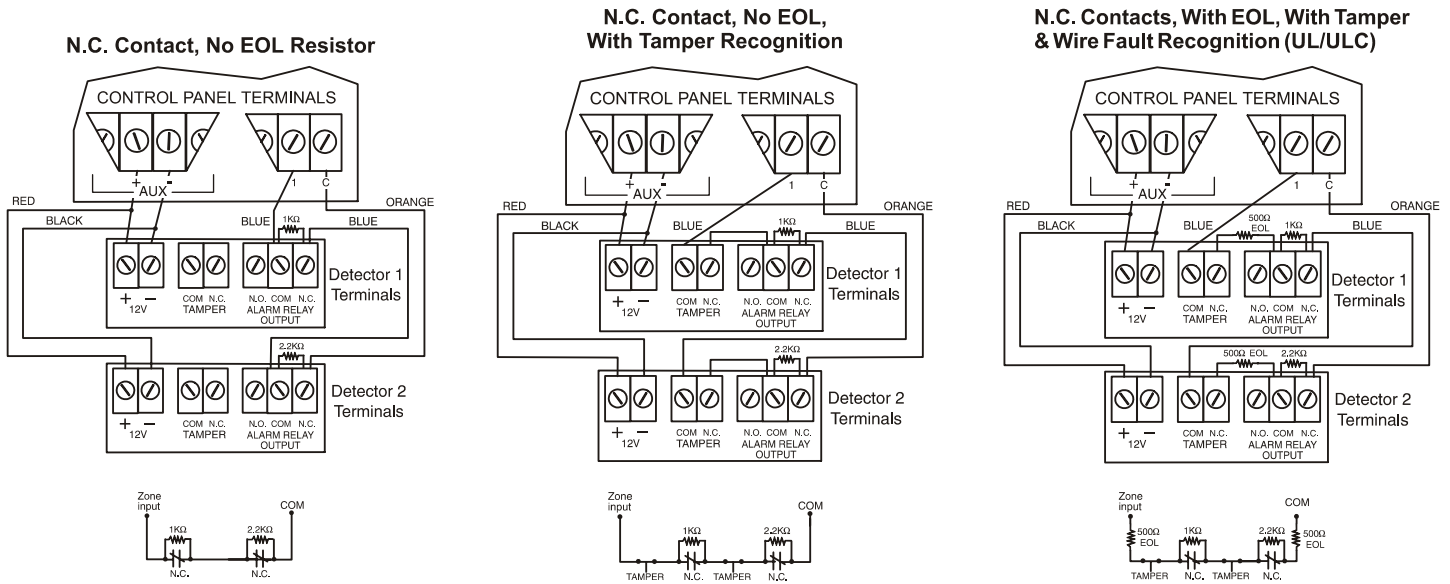
Detection devices such as motion detectors and door contacts are connected to the control panel's zone input terminals. Figure 2.5 on page 11 demonstrates single zone input terminal connections recognized by Spectra. Once connected, the associated zone's parameters must be defined. For details refer to *Zone Programming* on page 19.



2.10 DOUBLE ZONE INPUTS (WITH ATZ OPTION ONLY)

Enabling the *ATZ feature* (see page 25) on the Spectra 1728 or 1738 allows you to install two detection devices per input terminal. The *ATZ feature* is a software oriented feature. Therefore, there is no need for extra modules. Simply connect the devices as shown in Figure 2.6. Devices connected to input terminals must be assigned to a zone and the zone's parameters must be defined. Refer to *Zone Programming* on page 19 for more information. The status of each zone will be displayed on the keypads and the control panel can send separate alarm codes for each zone.

Figure 2.6: Double Zone (ATZ) Input Connections



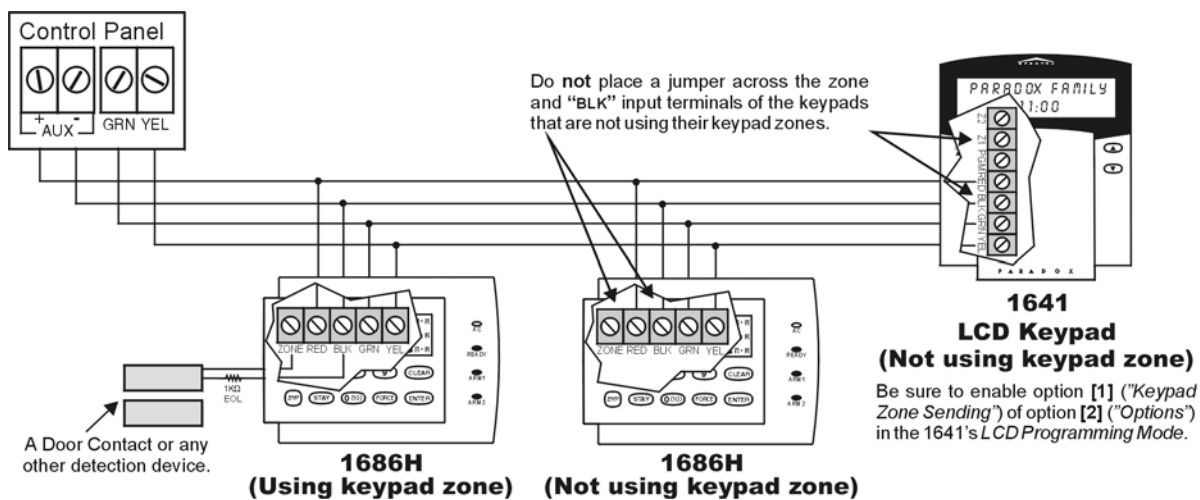
2.11 KEYPAD AND KEYPAD ZONE CONNECTIONS

To connect the keypads to the control panel, remove the back cover and wire the GRN, YEL, RED, and BLK terminals of each keypad to the corresponding terminals on the control panel as shown in Figure 2.1 on page 7 or Figure 2.2 on page 8. There is no limit to the number of keypads that can be connected to the control panel so long as the current consumption does not surpass 700mA. For details on *Keypad Tamper Supervision* see section 10.8 on page 44.

Each keypad has one zone input terminal, allowing you to connect one motion detector or door contact directly to a keypad. The keypad can then communicate the status of the zone to the control panel. A maximum of two keypad zones can be used with each control panel. After connecting the device, the zone's parameters must be defined. For details on zone recognition and *Zone Programming* refer to page 19. Also, refer to the feature *Reassign Keypad Zone 2* on page 19.

Example: A door contact located at the entry point of an establishment can be wired directly to the input terminal of the entry point keypad instead of wiring the door contact all the way to the control panel.

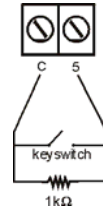
Figure 2.7: Keypad Zone Connections



2.12 KEYSWITCH CONNECTIONS

Keyswitches allow users to arm or disarm a partition by pushing a button or by activating a switch with a key. Connect the keyswitch as shown in Figure 2.8 directly to the control panel terminals. Once a keyswitch is connected, it must be assigned to a zone and its parameters must be programmed (see *Zone Programming* on page 19 and *Keyswitch Options* on page 25).

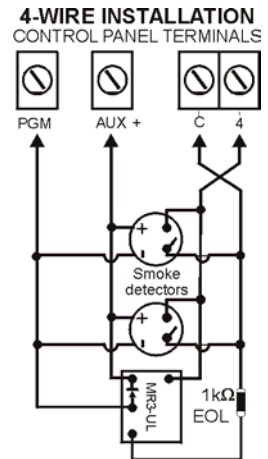
Figure 2.8: Keyswitch



2.13 FIRE CIRCUITS

When a zone is programmed as a Fire zone, the zone becomes normally open and requires an EOL resistor. If a line short occurs or if the smoke detector becomes active, whether the system is armed or disarmed, the control panel will generate an alarm. If a trouble occurs on a Fire zone, the Fire Loop Trouble will appear in the keypads' Trouble Display (see page 50) and the control panel can transmit the *Fire Loop Trouble* report, if programmed, in section [206].

Figure 2.9: Fire Zones



2.13.1 4-WIRE INSTALLATION:

Any on-board zone can be defined as a *Fire Zone* (see page 21) when using the 4-wire installation. Connect the smoke detectors as shown in Figure 2.9 directly to the control panel terminals. Program the PGM with the "[PG]/[FNC1] Key was Pressed" Activation Event (see page 41) so the smoke detectors can be reset by pressing the [PG] or [FNC1] key. Pressing the [PG] or [FNC1] key will interrupt power to the smoke detectors for 4 seconds (see *PGM Delay* on page 42).

PART 3: PROGRAMMING METHODS

3.1 WINLOAD SOFTWARE FOR WINDOWS

Program the Spectra Series control panels remotely or on-site using the Winload Software for Windows®. For more information, contact your local Paradox Distributor or visit our web site at <http://www.paradox.ca>. If you are using the WinLoad software, you must program the features explained on pages 48 and 49.

3.2 PROGRAMMING USING A KEYPAD

Use the supplied *Spectra 1728EX, 1728, 1738EX and 1738 Programming Guide* to keep track of which sections were programmed and how. We recommend you read this entire manual before you begin programming.

How Do I Enter Programming Mode?

STEP 1: Press [ENTER]

STEP 2: Enter your [INSTALLER CODE] (default: 000000 or 0000)

STEP 3: Enter 3-digit [SECTION] you wish to program

STEP 4: Enter required [DATA]

3.2.1 SINGLE DIGIT DATA ENTRY METHOD (HEXADECIMAL AND DECIMAL)

Single Digit Data Entry is used in all sections except those specified in the *Feature Select Programming Method*. After entering the programming mode as described in the shaded box above, some sections will require that you enter **Decimal** values from **000** to **255**. Other sections will require that you enter **Hexadecimal** values from **0** to **F**. The required data will be clearly indicated in this manual as well as in the *Spectra 1728EX, 1728, 1738EX and 1738 Programming Guide*. When entering the final digit in a section, the control panel will automatically save and advance to the next section. Except sections 001 to 016, after entering the first two digits the control panel will switch to *Feature Select Programming*.

Table 3: Decimal and Hexadecimal Programming Table

Value or Action	What Do I Press?	What Do I See?		
		10-Zone LED	16-Zone LED	LCD
Values 1 to 9	[1] to [9]	[1] to [9]	[1] to [9]	[1] to [9]
A (hexa only)	[0]	[0 (10)]	[10]	0
B (hexa only)	[STAY]	[STAY]	[11]	B
C (hexa only)	[BYP]	[BYP]	[12]	C
D (hexa only)	[MEM]	[MEM]	[13]	D
E (hexa only)	[TBL] / [TRBL]	[TBL]	[14]	E
F (hexa only)	[PG] / [FNC1]	[PG]	[15]	F
Exit Without Saving	[CLEAR]	[ENTER] flashes	[ARM1] & [STAY1] flash	“SECTION []”
Insert Blank Digit	[FORCE]	Displays next digit or next section		
Save Data	[ENTER]	Advances to the next section		

3.2.2 FEATURE SELECT PROGRAMMING METHOD

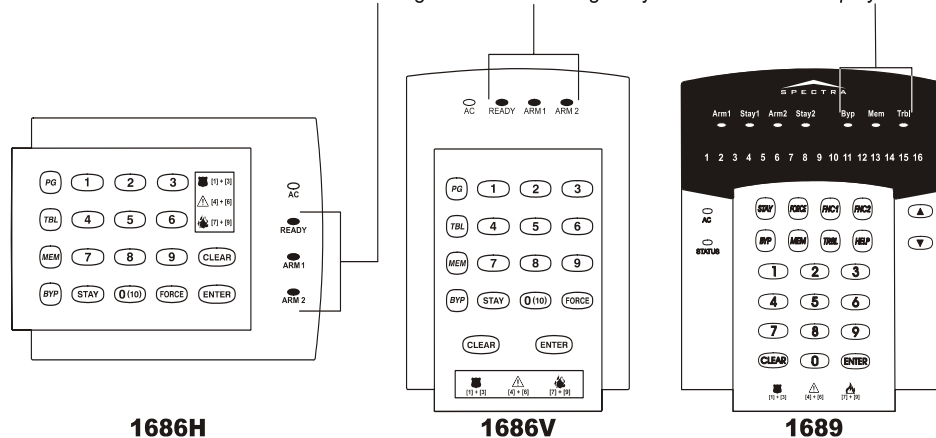
After entering sections [001] to [016], [126] to [138], and [302] to [348], each option from [1] to [8] represents a specific feature or option. Press the key corresponding to the desired option and the corresponding light will illuminate or the option number will appear in the LCD display. This means the option is on. Press the key again to extinguish the corresponding light or remove the digit from the LCD display, thereby, turning off the option. Press the [FORCE] key to set all 8 options to off. Press the keys until the current section’s options are set. When the options are set, press the [ENTER] key to save and advance to the next section.

3.2.3 DATA DISPLAY MODE (LED KEYPADS ONLY)

In the *Data Display Mode* you can view the programmed contents of each section one digit at a time. After entering the desired 3-digit section (see step 3 of the shaded box on page 13), press the [ENTER] key to access the *Data Display Mode* (will not function with sections using Multiple Feature Select Programming).

Figure 3.1: Data Display Mode (LED Keypads Only)

To access the *Data Display Mode*, press the [ENTER] key after entering a section and before entering any data. The three LEDs as indicated below will begin to flash indicating that you are in the *Data Display Mode*.



Each time the [ENTER] key is pressed, the keypad will display the next digit in the current section and will continue through all the following sections one digit at a time without changing the programmed values. Not available for sections using the *Multiple Feature Select Method*. Press the [CLEAR] key at any time to exit the *Data Display Mode*.

3.3 CONFIGURING THE LED KEYPADS

Depending on the version of the keypad, two methods can be used to configure the LED keypads (1686H, 1686V and 1689):

3.3.1 CONFIGURING THE 1686H, 1686V AND 1689 KEYPADS V2.0 OR HIGHER

The keypad's zone number, EOL definition and tamper switch are programmed through the control panel's programming mode. To do so:

How Do I Configure The Keypad?

STEP 1: Press [ENTER]

STEP 2: Enter your [INSTALLER CODE] (default: 000000 or 0000)

STEP 3: Press the [PG] (1686H/V) / [FNC1] (1689) key and hold it for 3 seconds.

STEP 4: Press the desired key ([1] to [3]. See below)

STEP 5: Press [ENTER] to exit programming mode



PLEASE NOTE: After two minutes, the keypad exits programming mode.

Key [1] - Keypad Zone Selection

Key [1] determines whether the keypad's zone is *Keypad Zone 1* or *Keypad Zone 2*. When key [1] is OFF (not illuminated), the keypad's zone is *Keypad Zone 1*. When key [1] is ON (illuminated), the keypad's zone is *Keypad Zone 2*.

Key [1] OFF - Keypad Zone 1 (default)

Key [1] ON - Keypad Zone 2

Key [2] - EOL Definition

Key [2] determines the keypad zone's EOL definition. When key [2] is OFF (not illuminated), EOL is disabled and the keypad zone will use the on-board EOL resistor. When key [2] is ON (illuminated), EOL is enabled and the keypad zone requires that an external EOL resistor be connected (refer to *Spectra 1738EX and 1738 Control Panel Overview* on page 7 and *Spectra 1728EX and 1728 Control Panel Overview* on page 8 for more details).

Key [2] OFF - EOL disabled

Key [2] ON - EOL enabled (default)

Key [3] - On-Board Tamper

Key [3] enables or disables the keypad's on-board tamper switch. When key [3] is OFF (not illuminated), the tamper switch is disabled. When key [3] is ON (illuminated), the tamper switch is enabled.

Key [3] OFF - On-board tamper switch disabled

Key [3] ON - On-board tamper switch enabled



PLEASE NOTE: The keypad can be ordered with or without a tamper switch. If the keypad has no tamper switch, key [3] will be OFF by default. If the keypad has a tamper switch, key [3] will be ON by default.

3.3.2 CONFIGURING THE 1686H, 1686V AND 1689 KEYPADS PRIOR TO V2.0

The keypad's zone number and EOL definition are defined through the jumpers located on the PCB board. The jumpers are as follows:

J1 - Keypad Zone Select Jumper

Jumper J1 determines whether the keypad's zone is *Keypad Zone 1* or *Keypad Zone 2*. When the jumper is OFF, the keypad's zone is *Keypad Zone 2*. When the jumper is ON, the keypad's zone is *Keypad Zone 1*.

J1 OFF - Keypad Zone 2

J1 ON - Keypad Zone 1

J2 - EOL Definition Jumper

Jumper J2 determines the keypad zone's EOL definition. When the jumper is OFF, EOL is disabled and the keypad zone uses the on-board EOL resistor. When the jumper is ON, EOL is enabled and the keypad zone requires that an external EOL resistor be connected (refer to *Spectra 1738EX and 1738 Control Panel Overview* on page 7 and *Spectra 1728EX and 1728 Control Panel Overview* on page 8 for more details).

J2 OFF - EOL disabled

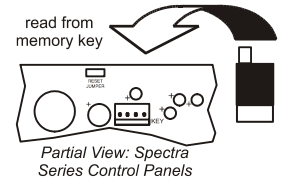
J2 ON - EOL enabled

3.4 PROGRAMMING USING A PARADOX MEMORY KEY

Copy the sections of one Spectra control panel into the *Paradox Memory Key* (PMC-3). Then copy the contents of the Memory Key into as many Spectra control panels as needed. Each panel is programmed in less than 3 seconds.

Download to DESTINATION Control Panel

- 1) Remove AC and battery power from the control panel.
- 2) Place the Memory Key on the serial connector labeled KEY of the Spectra Control Panel that is to receive the contents of the Memory Key.
- 3) Reapply AC and battery power.
- 4) In installer programming mode, enter section **[900]**, then press **[ENTER]** to acknowledge.
- 5) When the keypad emits a Confirmation Beep, remove the Memory Key.
- 6) Enter section **[750]** to reprogram the modules with the information downloaded from the Paradox Memory Key.



Copy to Memory Key from SOURCE Control Panel

- 1) Remove AC and battery power from the control panel.
- 2) Place Memory Key on the serial connector labeled KEY of the Spectra Control Panel that you want to copy. Make sure the write protect jumper of the Memory Key is on.
- 3) Reapply AC and battery power.
- 4) In installer programming mode, enter section **[902]**, then press **[ENTER]** to acknowledge.
- 5) When the keypad emits a Confirmation Beep, remove the Memory Key. Remove the Memory Key's jumper if you do not wish to accidentally overwrite its contents.

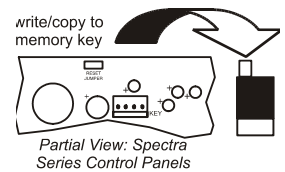
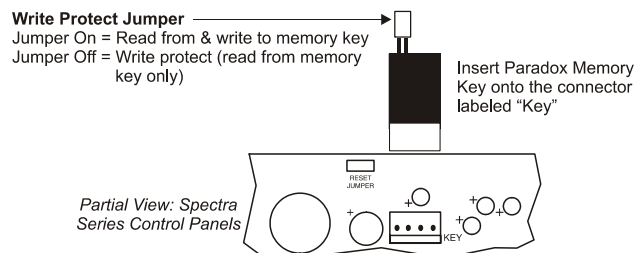


Figure 3.2: Paradox Memory Key



PART 4: ACCESS CODES

The Spectra Series control panels support the following access codes:

INSTALLER CODE:	Used to program all control panel settings except User Access Codes.
SYSTEM MASTER CODE (001)	Provides full access. Arm and disarm using any method described in the <i>User Code Options</i> in section 4.4 as well as program the User Access Codes.
Master Code 1 (002):	Permanently assigned to partition 1. Same as a regular User Code except it can also program access codes for User Codes assigned to partition 1.
Master Code 2 (003):	Permanently assigned to partition 2. Same as a regular User Code except it can program access codes for User Codes assigned to partition 2. If the system is not partitioned Master Code 002 will be assigned to partition 1.
45 User Codes (004 to 048):	Can arm and disarm as per <i>User Code Options</i> in section 4.4.

4.1 ACCESS CODE LENGTH

Section [127]: System Options

Option [2] OFF = 6-Digit Access Codes

Option [2] ON = 4-Digit Access Codes (default)

All access codes can be set to lengths of either 4- or 6-digits. When the 4-digit option is selected, entering a 4-digit code will allow access. Using the 6-digit option, entering 6 digits is required to allow access.



If the Access Code Length is changed from four digits to six digits when access codes have already been programmed, the control panel will automatically add the last 2 digits by using the first 2 digits. For example, if the access code is 1234 and you switch to 6 digits, the code will become 123412. Be sure to verify the access codes after switching from 4-digit access codes to 6-digit codes. When switching from six digits to four digits, the control panel will simply remove the final two digits of the access code. For example, 123456 will become 1234.

4.2 INSTALLER CODE (Default: 00000 OR 0000)

The *Installer Code* is used to enter the control panel's programming mode (see page 13), which allows you to program all the features, options and commands of the control panel. The *Installer Code* can be 4- or 6-digits in length (see above) where each digit can be any value from 0 to 9. The *Installer Code* cannot be used to program *Master Code 1*, *Master Code 2* or *User Access Codes*. To program the *Installer Code* press:

[ENTER] + [CURRENT INSTALLER CODE] + [281] + *new 4- or 6-digit Installer Code*

4.3 SYSTEM MASTER CODE (Default: 123456 OR 1234)

The *Installer Code* can be used to program the *System Master Code*. With the *System Master Code* a user can use any arming method and can program any *User Access Code*, but not the *User Code Options*. The *System Master Code* can be 4 or 6 digits in length (see section 4.1), where each digit can be any digit from 0 to 9. To change the *System Master Code* press:

[ENTER] + [INSTALLER CODE] + [301] + *new 4- or 6-digit System Master Code*

4.4 USER CODE OPTIONS

Sections [302] to [348]: Options [1] to [7]

The *User Code Options* define which arming methods each user can use to arm or disarm the system. Regardless of these settings, all users can *Regular Arm* assigned partitions and all users except those with the *Arm Only* option can disarm an assigned partition, regardless of how it is armed. Select one or more of the options described on the following pages for each *User Access Code*, where sections [302] to [348] represent *User Access Codes 002 to 048*. For information on how *User Access Codes* are programmed, please refer to page 51.

4.4.1 PARTITION 1 ASSIGNMENT

Sections [302] to [348]: User Codes 002 to 048

Option [1] OFF = Deny access to partition 1

Option [1] ON = User code has access to partition 1 (default)

If Partitioned (see page 43), user codes with this option enabled can arm and disarm partition 1.



If the system is not partitioned, you must assign partition 1 to the User Access Code. Otherwise, the User Access Code will be considered disabled.

4.4.2 PARTITION 2 ASSIGNMENT

Sections [302] to [348]: User Codes 002 to 048

Option [2] OFF = Deny access to partition 2 (default)

Option [2] ON = User code has access to partition 2

If the system is partitioned (see page 43), user codes with this option enabled can arm and disarm partition 2. If the system is not partitioned, the control panel ignores this option.

4.4.3 BYPASS PROGRAMMING

Sections [302] to [348]: User Codes 002 to 048

Option [3] OFF = Bypass Programming Disabled

Option [3] ON = Bypass Programming Enabled (default)

User codes with this option enabled can perform Bypass Programming in assigned partitions.

4.4.4 STAY ARMING

Sections [302] to [348]: User Codes 002 to 048

Option [4] OFF = Stay Arming Disabled

Option [4] ON = Stay Arming Enabled for selected User Code (default)

User codes with this option enabled can *Stay Arm* assigned partitions.

4.4.5 FORCE ARMING

Sections [302] to [348]: User Codes 002 to 048

Option [5] OFF = Force Arming Disabled (default)

Option [5] ON = Force Arming Enabled for selected User Code

User codes with this option enabled can *Force Arm* assigned partitions.

4.4.6 ARM ONLY

Sections [302] to [348]: User Codes 002 to 048

Option [6] OFF = Arm Only Disabled (default)

Option [6] ON = Arm Only Enabled for selected User Code

The user code with this option enabled can arm assigned partitions, but cannot disarm any partitions. The type of arming is dependent on the other *User Code Options* selected. Please note that with the *Arm Only* option, the user can cancel a recently armed system by re-entering the access code before the end of the *Exit Delay*.

4.4.7 PGM ACTIVATION

Sections [302] to [348]: User Codes 002 to 048

Option [7] OFF = User Code follows *User Code Options* and can activate a PGM (default)

Option [7] ON = User Code can activate a PGM only

With option [7] off, entering the access code will arm or disarm according to the programmed *User Code Options* as well as activate or deactivate a PGM. The appropriate *PGM Activation/Deactivation Event* must also be programmed (see page 41). With option [7] on, the control panel will ignore all other *User Code Options*. Therefore, entering the access code will only activate or deactivate the PGM.

4.5 LOCK MASTER CODE

Section [127]: System Options

Option [4] OFF = Lock System Master Code Disabled (default)

Option [4] ON = Lock System Master Code Enabled

With this feature enabled, the control panel will lock the *System Master Code* (001). This means that the *System Master Code* cannot be deleted, but it can be changed.

4.6 DURESS CODE

Section [127] = System Options

Option [6] OFF = Duress Code Disabled (default)

Option [6] ON = User Code 048 becomes a Duress code

With this feature enabled, User Code 048 becomes a Duress Code. When forced to arm or disarm their system, users can enter a Duress Code (User Code 048) to arm or disarm the system which can immediately transmit a silent alert to the Central Station, transmitting the duress report code programmed in section [196].

PART 5: ZONE PROGRAMMING

The Spectra control panel's zone assignment depends on where the detection devices are connected (see Table 4).

Table 4: Zone Recognition Table

Device connected to which input?	1728/EX	1728	1728/EX	1728	1738/EX	1738	1738/EX	1738
	NO ATZ	WITH ATZ	NO ATZ	WITH ATZ	NO ATZ	WITH ATZ	NO ATZ	WITH ATZ
Control Panel								
Input 1 =	Zone 1	Zone 1 & 6	Zone 1	Zone 1 & 6	Zone 1	Zone 1 & 8	Zone 1	Zone 1 & 8
Input 2 =	Zone 2	Zone 2 & 7	Zone 2	Zone 2 & 7	Zone 2	Zone 2 & 9	Zone 2	Zone 2 & 9
Input 3 =	Zone 3	Zone 3 & 8	Zone 3	Zone 3 & 8	Zone 3	Zone 3 & 10	Zone 3	Zone 3 & 10
Input 4 =	Zone 4	Zone 4 & 9	Zone 4	Zone 4 & 9	Zone 4	Zone 4 & 11	Zone 4	Zone 4 & 11
Input 5 =	Zone 5	Zone 5 & 10	Zone 5	Zone 5 & 10	Zone 5	Zone 5 & 12	Zone 5	Zone 5 & 12
Input 6 =	N/A	N/A	N/A	N/A	Zone 6	Zone 6 & 13	Zone 6	Zone 6 & 13
Input 7 =	N/A	N/A	N/A	N/A	Zone 7	Zone 7 & 14	Zone 7	Zone 7 & 14
Keypad								
Zone 1 =	Zone 6	Zone 11	Zone 6	Zone 11	Zone 8	Zone 15	Zone 8	Zone 15
Zone 2 =	Zone 7	Zone 12	N/A	N/A	Zone 9	Zone 16	N/A	N/A
Expansion								
Input 1 =	Zone 8	Zone 13	Zone 7	Zone 12	Zone 10	N/A	Zone 9	Zone 16
Input 2 =	Zone 9	Zone 14	Zone 8	Zone 13	Zone 11	N/A	Zone 10	N/A
Input 3 =	Zone 10	Zone 15	Zone 9	Zone 14	Zone 12	N/A	Zone 11	N/A
Input 4 =	Zone 11	Zone 16	Zone 10	Zone 15	Zone 13	N/A	Zone 12	N/A
Input 5 =	Zone 12	N/A	Zone 11	Zone 16	Zone 14	N/A	Zone 13	N/A
Input 6 =	Zone 13	N/A	Zone 12	N/A	Zone 15	N/A	Zone 14	N/A
Input 7 =	Zone 14	N/A	Zone 13	N/A	Zone 16	N/A	Zone 15	N/A
Input 8 =	Zone 15	N/A	Zone 14	N/A	N/A	N/A	Zone 16	N/A

5.1 WHAT IS AN EXPANSION INPUT?

An expansion input allows you to connect modules to the system to increase the number of zones available up to 16 zones. Each hardwired input on a zone expansion bus module or wireless transmitter used by a wireless bus module can be assigned to an expansion input. The expansion inputs can be used in any combination. For example, 5 wireless transmitters and 3 hardwire inputs can be assigned to the expansion inputs. Spectra control panels cannot support more than eight expansion inputs. Refer to the appropriate module's Instruction Sheet for details.



Do not assign inputs from different modules to the same expansion input.

5.2 REASSIGN KEYPAD ZONE 2

Section [126]: General Options

Option [7] OFF = Reassign Keypad Zone 2 Disabled (default)

Option [7] ON = Reassign Keypad Zone 2 Enabled

Reassign Keypad Zone 2 changes the keypad zone into an expansion input. In Table 4 above, the effects of enabling this feature are shown. For example, when option [7] is enabled in control panel 1738, Zone 16 moves to Expansion Input 1 (see Table 5). Then, you are able to use Expansion Input 1



When Reassign Keypad Zone 2 is enabled, the Keypad Tamper Supervision (see page 44) for keypad zone 2 is lost. Keypad Tamper Supervision will ONLY function on Keypad Zone 1.

Table 5: Example

**1738
WITH ATZ**

OFF	ON	
Zone 15	Zone 15	moves to expansion input
Zone 16	N/A	
N/A	Zone 16	

5.3 REASSIGN ZONES TO EXPANSION INPUTS (1728EX & 1728 ONLY)

Section [126]: General Options


Option [8] OFF = Reassign Zones to Expansion Inputs Disabled (default)

Option [8] ON = Reassign Zones to Expansion Inputs Enabled

Reassign Zones to Expansion Inputs changes the zone numbering to increase the number of expansion inputs that can be displayed on 10-Zone LED Keypads. In installations that require using mostly the expansion inputs, such as using wireless zones, the 10-Zone LED Keypads may be unable to display some of the zones. In the following table, the effects of enabling this feature and Reassign Keypad Zone 2 (see section 5.2) are shown:

Table 6: Zone Display with 10-Zone LED Keypad

	Option [8]: OFF		Option [8]: ON		Option [8]: ON and Option [7]: ON (Reassign Keypad Zone 2)	
	1728/EX NO ATZ	1728 WITH ATZ	1728/EX NO ATZ	1728 WITH ATZ	1728/EX NO ATZ	1728 WITH ATZ
Control Panel						
Input 1 =	Zone 1	Zone 1 & 6	Zone 1	Zone 1 & 3	Zone 1	Zone 1 & 3
Input 2 =	Zone 2	Zone 2 & 7	Zone 2	Zone 2 & 4	Zone 2	Zone 2 & 4
Input 3 =	Zone 3	Zone 3 & 8	N/A	N/A	N/A	N/A
Input 4 =	Zone 4	Zone 4 & 9	N/A	N/A	N/A	N/A
Input 5 =	Zone 5	Zone 5 & 10	N/A	N/A	N/A	N/A
Keypad						
Zone 1 =	Zone 6	Zone 11	Zone 3	Zone 5	Zone 3	Zone 5
Zone 2 =	Zone 7	Zone 12	Zone 4	Zone 6	N/A	N/A
Expansion						
Input 1 =	Zone 8	Zone 13	Zone 5	Zone 7	Zone 4	Zone 6
Input 2 =	Zone 9	Zone 14	Zone 6	Zone 8	Zone 5	Zone 7
Input 3 =	Zone 10	Zone 15	Zone 7	Zone 9	Zone 6	Zone 8
Input 4 =	Zone 11	Zone 16	Zone 8	Zone 10	Zone 7	Zone 9
Input 5 =	Zone 12	N/A	Zone 9	Zone 11	Zone 8	Zone 10
Input 6 =	Zone 13	N/A	Zone 10	Zone 12	Zone 9	Zone 11
Input 7 =	Zone 14	N/A	Zone 11	Zone 13	Zone 10	Zone 12
Input 8 =	Zone 15	N/A	Zone 12	Zone 14	Zone 11	Zone 13

 = not displayed on 10-Zone LED Keypads

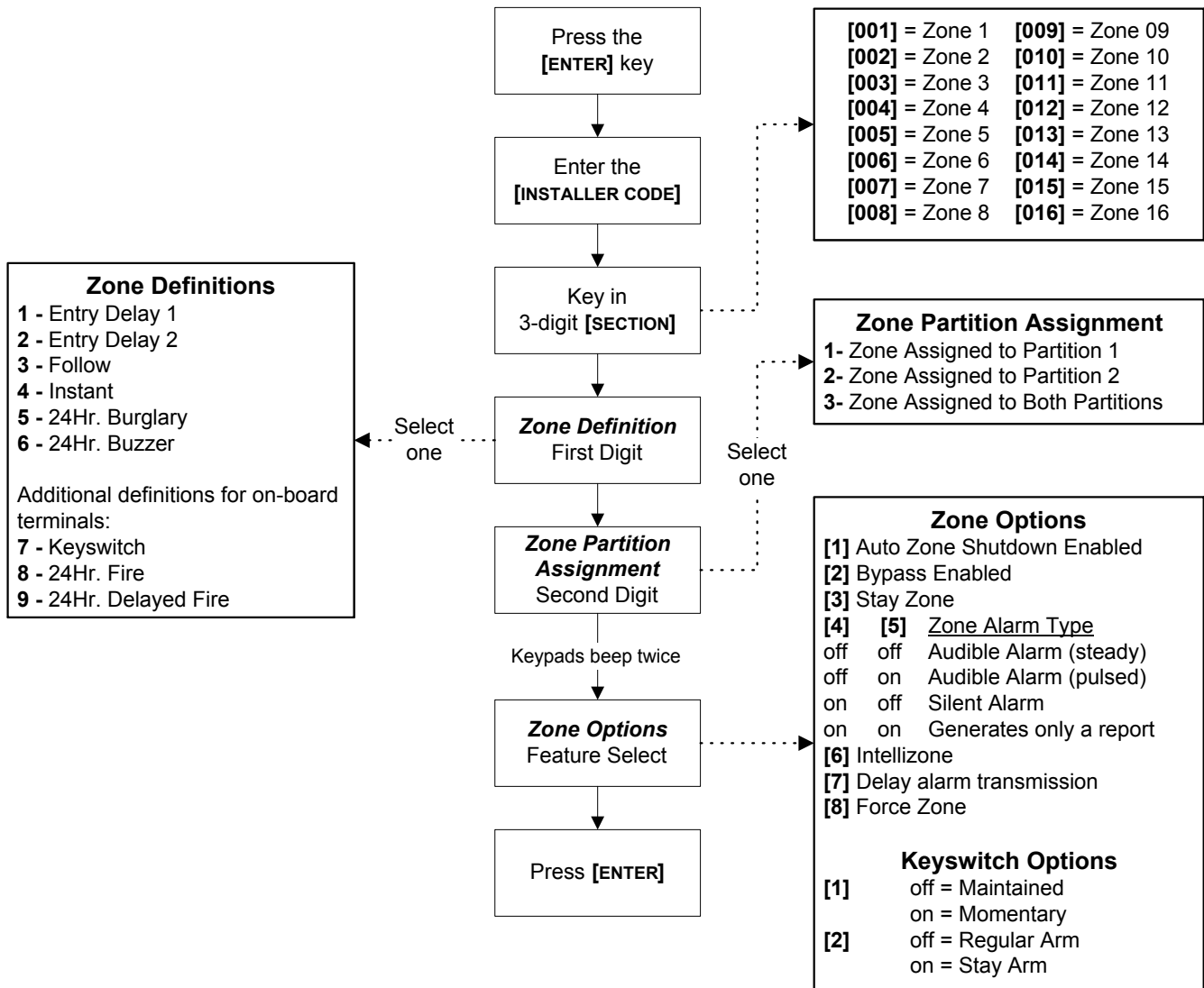
5.4 ZONE PROGRAMMING

After connecting a hardwired detection device to one of the control panel's or zone expansion bus module's input terminals or after setting up any wireless transmitters, define the associated zone's parameters. The Zone Parameters define the type of zone, the zone's partition assignment and how the control panel will react when an alarm condition occurs on that zone. These Zone Parameters are programmed into one section as detailed in Figure 5.1 on page 21.



In the 1728EX and 1728, only on-board zones 01 to 04 can be defined a Fire, Delayed Fire or a Keyswitch zone. On-board zone 05 cannot be programmed as such. In the 1738EX and 1738 the on-board zones 01 to 07 can be defined a Fire, Delayed Fire or a Keyswitch zone.

Figure 5.1: Spectra Zone Programming



5.5 ZONE DEFINITIONS

As demonstrated in Figure 5.1, sections [001] to [016] represent zones 1 through 16 respectively, where the first digit in each of these sections represents the zone's definition. Also, refer to *Zone Speed* on page 25. To **disable a zone**, clear the contents of the section corresponding to the desired zone by pressing the [FORCE] key 3 times and pressing [ENTER]. There are 9 available Zone Definitions, which are described as follows.

5.5.1 ENTRY DELAY 1

Sections [001] to [016]: Zones 1 to 16, First Digit = 1

When the system is armed and a zone defined with Entry Delay 1 opens, the control panel will generate an alarm after the programmed Entry Delay 1 Timer elapses. This is to provide users with enough time to enter the protected area and disarm the system. To program the Entry Delay 1 Timer, key in the desired 3-digit delay value (000 to 255 seconds, Default = 45 seconds) into section [069]. Entry Delay zones are commonly used at the entry/exit points of the protected area (i.e. front/back door, garage, etc.). Using different Entry Delays (see *Entry Delay 2*) is useful when, for example, one entry point requires a longer delay than the other entry point or in a partitioned system where each partition may require a different Entry Delay.

5.5.2 ENTRY DELAY 2

Sections [001] to [016]: Zones 1 to 16, First Digit = **2**

Entry Delay 2 zones are identical to the Entry Delay 1 zones (see section 5.5.1), except it uses a separate Entry Delay Timer. To program the Entry Delay 2 Timer, key in the desired 3-digit delay value (000 to 255 seconds, Default = 45 seconds) into section **[070]**.



This timer is also used as the Stay Delay timer (see section 6.2).

5.5.3 FOLLOW ZONES

Sections [001] to [016]: Zones 1 to 16, First Digit = **3**

When an armed Follow Zone opens, the control panel will immediately generate an alarm, unless an Entry Delay zone opens first:

- If an armed Follow Zone opens after an Entry Delay zone opens, the control panel waits until the Entry Delay Timer has elapsed before generating an alarm.
- If an armed Follow Zone opens after more than one Entry Delay zone opens, the control panel will wait until the Entry Delay Timer of the zone that opened first has elapsed.

This feature is commonly used when a motion detector is protecting the area occupied by the entry point keypad. This will prevent the motion detector from causing an alarm when a user enters through the entry point to disarm the system.

5.5.4 INSTANT ZONES

Sections [001] to [016]: Zones 1 to 16, First Digit = **4**

When an armed Instant Zone opens, the control panel immediately generates an alarm. Instant Zones are commonly used for windows, patio doors, skylights and other perimeter type zones.

5.5.5 24HR. BURGLARY ZONES

Sections [001] to [016]: Zones 1 to 16, First Digit = **5**

Whenever a 24Hr. Burglary Zone opens, whether the system is armed or disarmed, the control panel will immediately generate an alarm.

5.5.6 24HR. BUZZER

Sections [001] to [016]: Zones 1 to 16, First Digit = **6**

Whenever a *24Hr. Buzzer Zone* opens, whether the zone is armed or disarmed, the control panel sets off the keypads' buzzers to indicate that the zone was breached. The control panel will report the alarm, but will not enable the bell/siren output. Enter any valid access code on the keypad to stop the buzzer. This zone definition is particularly useful when a user wishes to be notified when something such as a safe or locker within the home has been accessed (i.e. a child accessing a valuable collection).

5.6 EXCLUSIVE ZONE DEFINITIONS

The following three zone definitions can only be used for devices connected directly to the control panel's on-board input terminals. When a zone is programmed as a Keyswitch Zone, the control panel will ignore all other Zone Options. When a zone is programmed as a Standard Fire Zone or Delayed Fire Zone, the control panel will ignore the Zone Options that may have been programmed, except Auto Zone Shutdown. Wireless devices and devices connected to the zone expansion bus modules cannot be programmed with these definitions.

5.6.1 KEYSWITCH ZONE

1728/EX: Sections [001] to [004]: Zones 1 to 4, First Digit = **7**

1738/EX: Sections [001] to [007]: Zones 1 to 7, First Digit = **7**

Connecting a keyswitch to a zone allows users to arm the system by pressing a button or by turning a switch on or off with a key. Please refer to *Keyswitch Connections* on page 13 and to *Keyswitch Options* on page 25.



If the ATZ feature is enabled when using a Keyswitch, the control panel will disable the "doubled zone" (see Zone Doubling on page 25).

5.6.2 STANDARD 24HR. FIRE ZONE

1728/EX:

Sections [001] to [004]: Zones 1 to 4, First Digit = **8**

1738/EX:

Sections [001] to [007]: Zones 1 to 7, First Digit = **8**

Whenever a Standard 24Hr. Fire Zone opens, whether it is armed or disarmed, the control panel will generate the following:

- The control panel can send the corresponding Alarm Report Code from sections [187] to [190].
- If a tamper/wiring fault occurs on a Fire Zone, the control panel can send a Fire Loop Trouble report code programmed in section [206] to the Central Station. The keypads will display a Fire Loop Trouble in their *Trouble Display* (see page 50).
- Alarms are always audible regardless of other settings. Fire alarms generate an intermittent (pulsed) bell/siren output signal as shown in Figure 5.3.

For information on how to connect smoke detectors to the control panel, refer to *Fire Circuits* on page 13.

5.6.3 DELAYED FIRE ZONE

1728/EX:

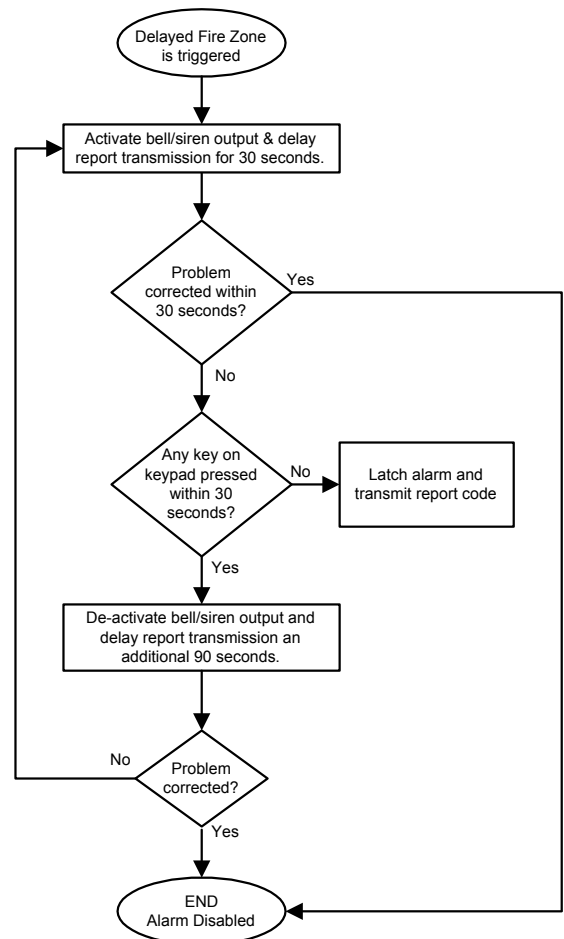
Sections [001] to [004]: Zones 1 to 4, First Digit = **9**

1738/EX:

Sections [001] to [007]: Zones 1 to 7, First Digit = **9**

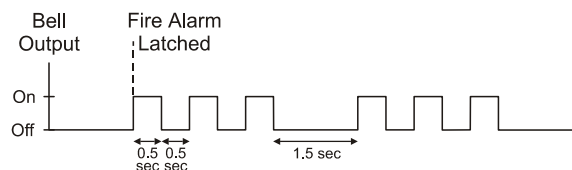
When a Delayed 24Hr. Fire Zone opens, whether it is armed or disarmed, the control panel will react as shown in Figure 5.2. Delayed 24Hr. Fire Zones are commonly used in residential homes where a smoke detector often generates false alarms (i.e. burning bread, etc.).

Figure 5.2: Delayed 24Hr. Fire Zone



If the ATZ feature is enabled when using any type of Fire Zone, the control panel will disable the “doubled zone” (see Zone Doubling on page 25).

Figure 5.3: Bell Output During Fire Alarm



5.7 ZONE PARTITION ASSIGNMENT

Sections [001] to [016]: Zones 1 to 16

The control panel provides the option of partitioning the security system into two completely independent systems. As demonstrated in Figure 5-1 on page 21, sections [001] to [016] represent zones 1 through 16 respectively, where the second digit in each of these sections represents the zone's partition assignment. The zone is assigned to Partition 1 if second digit = 1, Partition 2 if second digit = 2, or both partitions if second digit = 3. For details on *Partitioning*, refer to page 43.

5.8 ZONE OPTIONS

As demonstrated in Figure 5.1, sections [001] to [016] represent zones 1 through 16 respectively. After entering the first two digits, select one or more of the following Zone Options by using the *Multiple Feature Select Programming Method* (see page 14):

5.8.1 AUTO ZONE SHUTDOWN

Sections [001] to [016] = Zones 1 to 16

Option **[1]** OFF = Auto Zone Shutdown Disabled

Option **[1]** ON = Auto Zone Shutdown Enabled for selected zone (default)

If, in a single armed period, the number of alarms generated by a zone with the Auto Zone Shutdown option enabled exceeds the number defined by the Auto Zone Shutdown Counter, the control panel will no longer generate an alarm for that zone. To program the Auto Zone Shutdown Counter, key in the desired limit (000=Disabled, 001 to 015, Default = 5) into section **[089]**. The Auto Zone Shutdown Counter resets every time the system is armed.

5.8.2 BYPASS ZONES

Sections [001] to [016] = Zones 1 to 16

Option **[2]** OFF = Bypass Zone Disabled

Option **[2]** ON = Selected Zone is Bypass Enabled (default)

When a user, utilizes the *Bypass Programming* feature (see page 53), only zones with the Bypass option enabled can be programmed as bypassed.



Do not program a Fire Zone with the Bypass option, as the control panel will never bypass Fire Zones.

5.8.3 STAY ZONES

Sections [001] to [016]: Zones 1 to 16

Option **[3]** OFF = Stay Zone Disabled (default)

Option **[3]** ON = Selected Zone is Stay Enabled

Zones with the Stay option enabled will be bypassed when the system is *Stay Armed* (see page 52).



Do not program a Fire Zone with the Stay option, as the control panel will never bypass Fire Zones when Stay Arming.

5.8.4 ALARM TYPES

Sections [001] to [016]: Zones 1 to 16

[4] OFF / **[5]** OFF: *Audible Steady* (default)

When the conditions for an alarm have been met, the control panel can transmit the appropriate Zone Alarm report code (see page 34) and provides a steady output for any bells or sirens connected to the control panel's bell output.

[4] OFF / **[5]** ON: *Audible Pulsed Alarm*

When the conditions for an alarm have been met, the control panel can transmit the appropriate Zone Alarm report code (see page 34) and provides a pulsed output (see Figure 5-2 on page 22) for any bells or sirens connected to the control panel's bell output.

[4] ON / **[5]** OFF: *Silent Alarm*

When the conditions for an alarm are met, the control panel can transmit the appropriate Zone Alarm report code (see page 34) and will not activate the control panel's bell output. The appropriate ARM or STATUS LED on the keypads will flash to indicate an alarm and the user will still have to disarm the system.

[4] ON / **[5]** ON: *Report Only*

When the conditions for an alarm have been met, the control panel can transmit the appropriate Zone Alarm report code (see page 34). The system will not have to be disarmed.

5.8.5 INTELLIZONE

Sections [001] to [016]: Zones 1 to 16

Option **[6]** OFF = Intellizone Disabled (default)

Option **[6]** ON = Intellizone Enabled for Selected Zone

This feature reduces the possibility of false alarms. When a zone with the Intellizone option opens, the panel does not immediately generate an alarm. First it triggers the Intellizone Delay Timer. To program the Intellizone Delay Timer, key in the desired 3-digit value (010 to 255 seconds, Default = 48 seconds) into section **[084]**. If any of the following conditions occur during this period, the panel will generate an alarm:

- During the Intellizone Delay, a second zone has caused an alarm.
- During the Intellizone Delay, the zone in alarm has restored (closed) and re-occurred (opened).
- The zone in alarm remains open for the entire Intellizone Delay.

5.8.6 DELAY BEFORE ALARM REPORT CODE TRANSMISSION

Sections [001] to [016]: Zones 1 to 16

Option [7] OFF = Delay Alarm Transmission Disabled (default)

Option [7] ON = Delay Alarm Transmission Enabled for Selected Zone

When an alarm condition occurs on a zone with this option enabled, the control panel enables the bell/siren output, but does not report the alarm to the central station until the end of the Alarm Before Transmission Delay. To program the Alarm Transmission Delay, key in the desired 3-digit delay value (000 = Disabled, 001 to 255 seconds) into section [080]. During this period, disarming the system disables the bell/siren output and cancels the report code transmission. This feature is commonly used with Entry Delay zones to reduce false alarms created by new users who may not disarm the system in time.

5.8.7 FORCE ZONES

Sections [001] to [016]: Zones 1 to 16

Option [8] OFF = Force Zone Disabled (default)

Option [8] ON = Selected Zone is Force Enabled

Any open Force Zones at the time of arming will be considered deactivated by the control panel (see page 53). If during this period a deactivated zone is closed, the control panel will revert that zone to active status. Consequently, the control panel will generate an alarm if the zone is breached.



Do not program a Fire Zone with the Force option, as the control panel will never bypass Fire Zones when Force Arming.

5.8.8 KEYSWITCH OPTIONS

1728/EX: Sections [001] to [004]: Option [1] and [2]

1738/EX: Sections [001] to [007]: Option [1] and [2]

When an on-board zone is programmed as a Keyswitch Zone (see section 5.6.1 on page 22), the control panel will ignore any other Zone Option. The keyswitch can be programmed as a Maintained or Momentary Keyswitch and to Regular or Stay Arm (see section 12.4 on page 52). A Maintained Keyswitch will arm the system when it is set to the ON position and will disarm when set to the OFF position. To arm with a Momentary Keyswitch, set the keyswitch to the ON position then turn it back to the OFF position. Repeating this sequence will disarm the system. Program the keyswitch with the following:

Option [1] OFF = Maintained (default)

Option [2] OFF = Regular Arming (default)

Option [1] ON = Momentary

Option [2] ON = Stay Arming

5.9 ZONE SPEED

Sections [050] to [065]: Zones 1 to 16

001 to 255 X 10ms, Default = 600ms

The Zone Speed defines how quickly the control panel will respond to an open zone. The control panel will not display an open zone on the keypad or generate an alarm until the programmed Zone Speed has elapsed. All other zone definitions and options do not come into effect until the Zone Speed has elapsed. This feature prevents any momentary glitches from causing an alarm or unnecessary reporting.



If the ATZ feature is enabled (see section 5.11 below), do not set the Zone Speed to less than 50msec. as this may cause false alarms.

5.10 EOL ZONES

Section [132]: Zone Options

Option [4] OFF = Zones do not use EOL resistors (default)

Option [4] ON = Zones require EOL resistors

If all detection devices connected to the control panel have input terminals that require 1K Ω end of line resistors, enable option [4] in section [132]. For details on using EOL resistors, refer to *Single Zone Inputs* and *Double Zone Inputs (with ATZ Option only)* on page 11.

5.11 ATZ - ZONE DOUBLING (1728 AND 1738 ONLY)

Section [132]: Zone Options

Option [5] OFF = Zone Doubling Disabled (default)

Option [5] ON = Zone Doubling Enabled

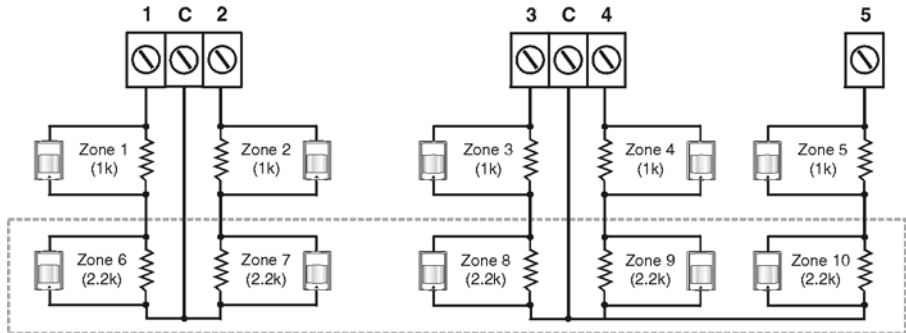
Enabling the ATZ feature allows you to install two detection devices per zone input terminal. Each detection device will have its own zone, displaying zone status on the keypad and sending separate alarm codes for each zone. The extra zones are recognized as described in Table 4 on page 19 or in Figure 5-4 below. For more information on how to connect to detection devices, please refer to *Double Zone Inputs* on page 11.



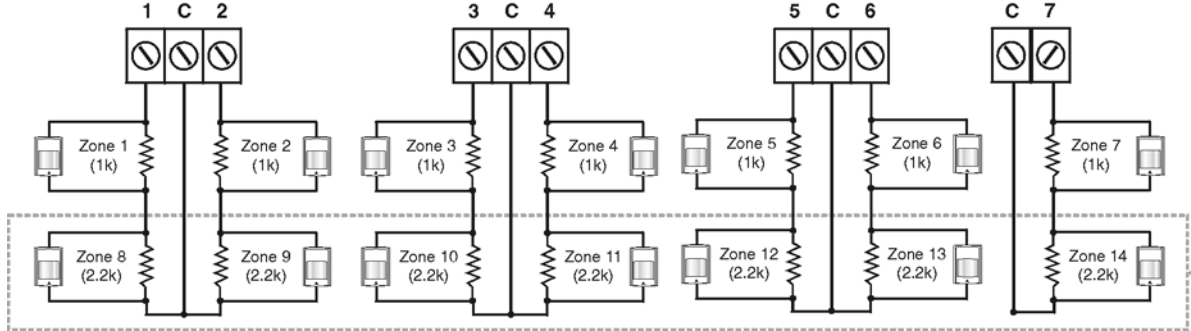
When a zone is defined as a Keyswitch or a Fire Zone and the ATZ feature is enabled, the control panel will disable the “doubled zone” .

Figure 5.4: Zone Recognition with ATZ enabled

1728/EX Control Panel Terminals



1738/EX Control Panel Terminals



Doubled Zones

PART 6: ARMING AND DISARMING OPTIONS

6.1 SWITCH TO STAY ARMING

Section [133] = Partition 1, Section [134] = Partition 2
Option [4] OFF = Switch to Stay Arming Disabled (default)
Option [4] ON = Switch to Stay Arming Enabled

If a user Regular arms a partition, but does not exit through (open and close) an Entry Delay zone during the Exit Delay, the control panel can be programmed to switch from Regular Arming to Stay Arming.

6.2 STAY ARMING WITH DELAY

Section [133] = Partition 1, Section [134] = Partition 2
Option [5] OFF = Stay Arming with Delay Disabled (default)
Option [5] ON = Stay Arming with Delay Enabled

When a partition is Stay Armed when this feature is enabled, all the zones in the partition, **except 24Hr. zones**, are associated with the Stay Delay. Therefore, the control panel will not generate an alarm if a zone is breached until the Stay Delay has elapsed. This feature prevents false alarms by allowing users enough time to disarm their system if a zone is accidentally triggered. For example, if a user opens an armed window or crosses an armed detector on the way to the kitchen in the middle of the night, the user will have enough time to disarm the system before the alarm is generated. Each partition's Stay Delay follows the value programmed in Entry Delay Timer 2 in section [070].

6.3 REGULAR ARMING SWITCHES TO FORCE ARMING*

Section [131]: Arming/Disarming Options
Option [2] OFF = Regular Arming Switches to Force Arming Disabled (default)
Option [2] ON = Regular Arming Switches to Force Arming Enabled

With this feature enabled, the control panel will always Force arm instead of Regular arm when a valid User Access Code with the Force Arming Option is entered. In installations where the user must always Force arm when leaving the protected area, this feature allows users to Force arm without pressing the [FORCE] key before entering their User Access Code.

6.4 RESTRICT ARMING ON BATTERY FAIL

Section [130]: Arming/Disarming Options
Option [5] OFF = Permit arming on battery failure (default)
Option [5] ON = Restrict arming on battery failure

If this option is enabled, the control panel will not arm the system if the control panel detects that the backup battery is disconnected, that its fuse is blown, or that the battery voltage drops to less than 10.5V. The control panel will not arm the system until all battery trouble conditions are rectified.

6.5 RESTRICT ARMING ON TAMPER FAILURE

Section [130]: Arming/Disarming Options
Option [6] OFF = Permit arming on tamper failure (default)
Option [6] ON = Restrict arming on tamper failure

If this option is enabled, the control panel will not arm the system if the control panel detects a tamper trouble on one or more zones. The control panel will not arm the system until all tamper trouble conditions are rectified.



This feature will not function if the Tamper Recognition Options (see page 30) are disabled or whenever the tampered zone is bypassed and the Tamper Bypass Options (see page 30) have been enabled.

* Not to be used with UL installations

6.6 TIMED AUTO-ARMING

Section [133] = Partition 1, [134] = Partition 2
Option [1] OFF = Timed Auto-Arming Disabled (default)
Option [1] ON = Timed Auto-Arming Enabled

Each partition can be programmed to arm every day at the time specified by the *Auto-Arm Timer*. The *Auto-Arming Options* (see section 6.8) determine the partition's arming method. Any open zones detected when a partition is Auto-Armed will be bypassed regardless of their definition (except 24hr. zones). The control panel will enter a 60-second Exit Delay period before arming the system. At this point, Auto-Arming can be cancelled by entering a valid access code. Once the partition has successfully armed, the control panel can transmit the Timed Auto-Arming report code programmed in section [172].

Example: To automatically arm partition 2 everyday at 6:15PM, enable Timed Auto-Arming for partition 2 by turning on option [1] in section [134]. Then key in 18:15 into section [112].

6.6.1 AUTO-ARM TIMER

Section [111] = Partition 1, [112] = Partition 2
Select the section corresponding to the desired partition and program the time (use the 24-hour clock i.e. 6:30PM = 18:30) that you wish the control panel to attempt to arm the selected partition and/or send the Late to Close report code.

6.7 NO MOVEMENT AUTO-ARMING

Section [133] = Partition 1, [134] = Partition 2
Option [2] OFF = No Movement Auto-Arming Disabled (default)
Option [2] ON = No Movement Auto-Arming Enabled

If no movement occurs in a partition's protected area for the period specified by the No Movement Timer (see below), the control panel can automatically arm that partition. The Auto-Arming Option described in section 6.8 of this manual determines the partition's arming method. Any open zones detected when a partition is Auto-Armed will be bypassed regardless of their definition (except 24hr. zones). Upon arming, the control panel will transmit the No Movement report code if programmed in section [172]. Regardless of whether the system was successfully armed or not, the control panel will always transmit the No Movement report code if programmed in section [172]. If No Movement Auto-Arming is disabled, the control panel will still send the No Movement report code at the time specified by the No Movement Timer.

Example: To arm partition 1 whenever there is no movement for a period of 4 hours, enable No Movement Auto-arming for partition 1 by turning on the [2] Option in section [133]. Then in section [075] enter 016 (16x15min. = 240min. = 4 hours).

6.7.1 NO MOVEMENT TIMER

Section [075] = Partition 1, [076] = Partition 2
001 to 255 x15min., Default = disabled
Select the section corresponding to the desired partition and program the interval of time without movement you wish the control panel to wait before arming and/or sending the No Movement report code. If No Movement Auto-Arming is disabled, the control panel can still send the No Movement report code when no movement has been detected for the period specified by the No Movement Timer.

6.8 AUTO-ARMING OPTIONS*

Section [133] = Partition 1, [134] = Partition 2
Option [3] OFF = Regular Arming (default)
Option [3] ON = Stay Arming

When using Timed Auto-Arming or No Movement Auto-Arming (see section 6.6 and section 6.7), the control panel can Regular or Stay Arm (see page 52) the selected partition.

* Not to be used with UL installations

6.9 ONE-TOUCH ARMING*

Section [130]: Options [1] to [4]

Option [1] ON = Press & hold the [ENTER] key for One-touch Regular Arming.

Option [2] ON = Press & hold the [STAY] key for One-touch Stay Arming.

Option [3] ON = Press & hold the [FORCE] key for One-touch Force Arming.

Option [4] ON = Press & hold the [BYP] key for One-touch Bypass Programming.

The One-touch Arming features allow users to arm the system without having to enter any access codes. To arm the system, press and hold the appropriate key (see above) for approximately 2 seconds. If the system is partitioned (see page 43), you must also press the key corresponding to the partition you wish to arm. For more information on the different arming methods, please refer to page 52.

6.10 EXIT DELAY**

Section [071] = Partition 1, [072] = Partition 2

001 to 255 seconds, Default = 30 seconds

After entering the required arming sequence (i.e. User Access code, etc.), the Exit Delay parameter determines the amount of time a user has to leave the protected area before the control panel arms the partition. The Exit Delay applies to all zones in the selected partition. When enabled, the keypad will beep once every second during the Exit Delay and will beep rapidly during the final 10 seconds of the Exit Delay.

6.10.1 BEEP ON EXIT DELAY

Section [130]: Arming/Disarming Options

Option [8] OFF = Beep on Exit Delay Disabled

Option [8] ON = Beep on Exit Delay Enabled (default)

6.11 BELL SQUAWK ON ARM/DISARM WITH KEYPAD

Section [130]: Arming/Disarming Options

Option [7] OFF = Bell Squawk on Arm/Disarm Disabled (default)

Option [7] ON = Bell Squawk on Arm/Disarm Enabled

When this feature is enabled, the bell or siren will squawk once upon arming and twice upon disarming.

6.12 BELL SQUAWK ON ARM/DISARM WITH REMOTE CONTROL

Section [131]: Arming/Disarming Options

Option [3] OFF = Bell Squawk on Arm/Disarm with Remote Control Disabled (default)

Option [3] ON = Bell Squawk on Arm/Disarm with Remote Control Enabled

When this feature is enabled, the bell or siren will squawk once upon arming with a remote control and twice upon disarming with a remote control. Must be enabled for UL installations.

6.13 NO EXIT DELAY WHEN ARMING WITH REMOTE CONTROL

Section [131]: Arming/Disarming Options

Option [4] OFF = Provides Exit Delay When Arming with a Remote Control (default)

Option [4] ON = No Exit Delay When Arming with a Remote Control

When the option is enabled, the panel cancels the Exit Delay (arms instantly) when a partition is armed with a remote control. When disabled, the Exit Delay timer will start when a partition is armed with a remote control.

6.14 NO EXIT DELAY BEEPS AND NO BELL SQUAWK WHEN STAY ARMING

Section [131]: Arming/Disarming Options

Option [5] OFF = No Exit Delay Beeps and No Bell Squawk When Stay Arming Disabled (default)

Option [5] ON = No Exit Delay Beeps and No Bell Squawk When Stay Arming Enabled

With this feature enabled, the control panel will prevent the bell or siren from squawking and the keypads from beeping during the Exit Delay, whenever a partition is Stay Armed.

* Not to be used with UL installations

** Maximum 60 seconds for UL listed systems

PART 7: ALARM OPTIONS

7.1 BELL CUT-OFF TIMER *(5 minutes minimum for CUL installations)*

Section [073] = Partition 1, [074] = Partition 2
000 = Disabled, 001 to 255 minutes, Default = 4 min.

After an audible alarm, the bell or siren will stop upon disarming of the partition or when the Bell Cut-Off Timer has elapsed, whichever comes first.

7.2 RECYCLE ALARM

After the Bell Cut-Off Timer and the Recycle Delay have elapsed, the control panel will re-verify the zone status. If there are any open zones, the control panel will generate another alarm. In one armed period, the control panel will repeat this sequence the number of times defined by the Recycle Counter.

7.2.1 RECYCLE ALARM DELAY

Section [090]
000 = disabled, 001 to 255 minutes, Default = disabled

The Recycle Delay determines the amount of time after Bell Cut-Off that the control panel will wait before re-verifying zone status.

7.2.2 RECYCLE COUNTER

Section [091]
000 = disabled, 001 to 255, Default = disabled

The Recycle Counter determines the number of times the control panel will re-verify the zone status after Bell Cut-Off in one armed period.

7.3 TAMPER RECOGNITION

Section [132]: Zone Options

[1] OFF / [2] OFF: *Tamper Recognition Disabled (default)*

If the system is armed or disarmed, the control panel will display the zone as open in the keypad display, but will not generate an alarm. This option is not permitted on UL systems.

[1] OFF / [2] ON: *Trouble Only*

If the system is armed and a tamper wiring failure occurs on a zone, the control panel will follow the zone's *Alarm Types* setting (see page 24). **If the system is disarmed** and a tamper wiring failure occurs on a zone, a Tamper/Zone Wiring Failure will appear in the keypads' Trouble Display (see page 50) and the control panel will transmit the appropriate Zone Tamper report code (see page 34).

[1] ON / [2] OFF: *Silent Alarm*

If the system is armed and a tamper wiring failure occurs on a zone, the control panel will follow the zone's *Alarm Types* setting (see page 24). **In a disarmed system**, it functions the same as the Trouble Only setting, but it will also generate a silent alarm. A silent alarm will not trigger any bells or sirens, but the system will have to be disarmed.

[1] ON / [2] ON: *Audible Alarm*

In an armed system and a tamper wiring failure occurs on a zone, the control panel will follow the zone's *Alarm Types* setting (see page 24). **In a disarmed system**, it functions the same as Trouble Only setting, except it will also generate an audible alarm.

7.3.1 TAMPER BYPASS OPTIONS

Section [132]: Zone Options
Option [3] OFF = Will generate a tamper if detected on a bypassed zone (default)
Option [3] ON = Tamper on bypassed zones will be ignored

With option [3] on, the Tamper Recognition feature follows the zone bypass definition. This means the control panel will ignore any tampers detected on a bypassed zone. With option [3] off, Tamper

Recognition ignores the bypass definition. This means the control panel will generate an incident as per Tamper Recognition settings if a tamper or wire fault occurs on a bypassed zone.

7.4 KEYPAD PANIC OPTIONS

Section [128]: General Options

Option [1] OFF = Emergency Panic Disabled (default)

Option [1] ON = Emergency Panic Enabled

Pressing the [1] and [3] keys simultaneously on the keypad for 2 seconds will generate a silent or audible alarm as defined by option [4].

Option [2] OFF = Auxiliary Panic Disabled (default)

Option [2] ON = Auxiliary Panic Enabled

Pressing the [4] and [6] keys simultaneously on the keypad for 2 seconds will generate a silent or audible alarm as defined by option [5].

Option [3] OFF = Fire Panic Disabled (default)

Option [3] ON = Fire Panic Enabled

Pressing the [7] and [9] keys simultaneously on the keypad for 2 seconds will generate a silent or audible alarm as defined by option [6].

Option [4] OFF = Emergency Panic is Silent (default)

Option [4] ON = Emergency Panic is Audible

Option [5] OFF = Auxiliary Panic is Silent (default)

Option [5] ON = Auxiliary Panic is Audible

Option [6] OFF = Fire Panic is Silent (default)

Option [6] ON = Fire Panic is Pulsed

Silent alarm:

The control panel emits a Confirmation Beep and transmits the appropriate Panic report code if programmed in section [195]. The control panel will not enable the keypad buzzers or the control panel's BELL output (no audible alarm).

Audible alarm:

Same as silent alarm, except the keypad buzzers and the BELL output will activate until a user cancels the alarm (disarms) with a valid User Access Code or when the Bell Cut-Off Timer elapses (see page 30).

Fire (pulsed) alarm:

Same as audible operation, except that the BELL output will be pulsed as shown in Figure 5.3 on page 23.



Whether the system is partitioned or not, the control panel will report all panic alarms to partition 1.

7.5 PANIC LOCKOUT TIMER

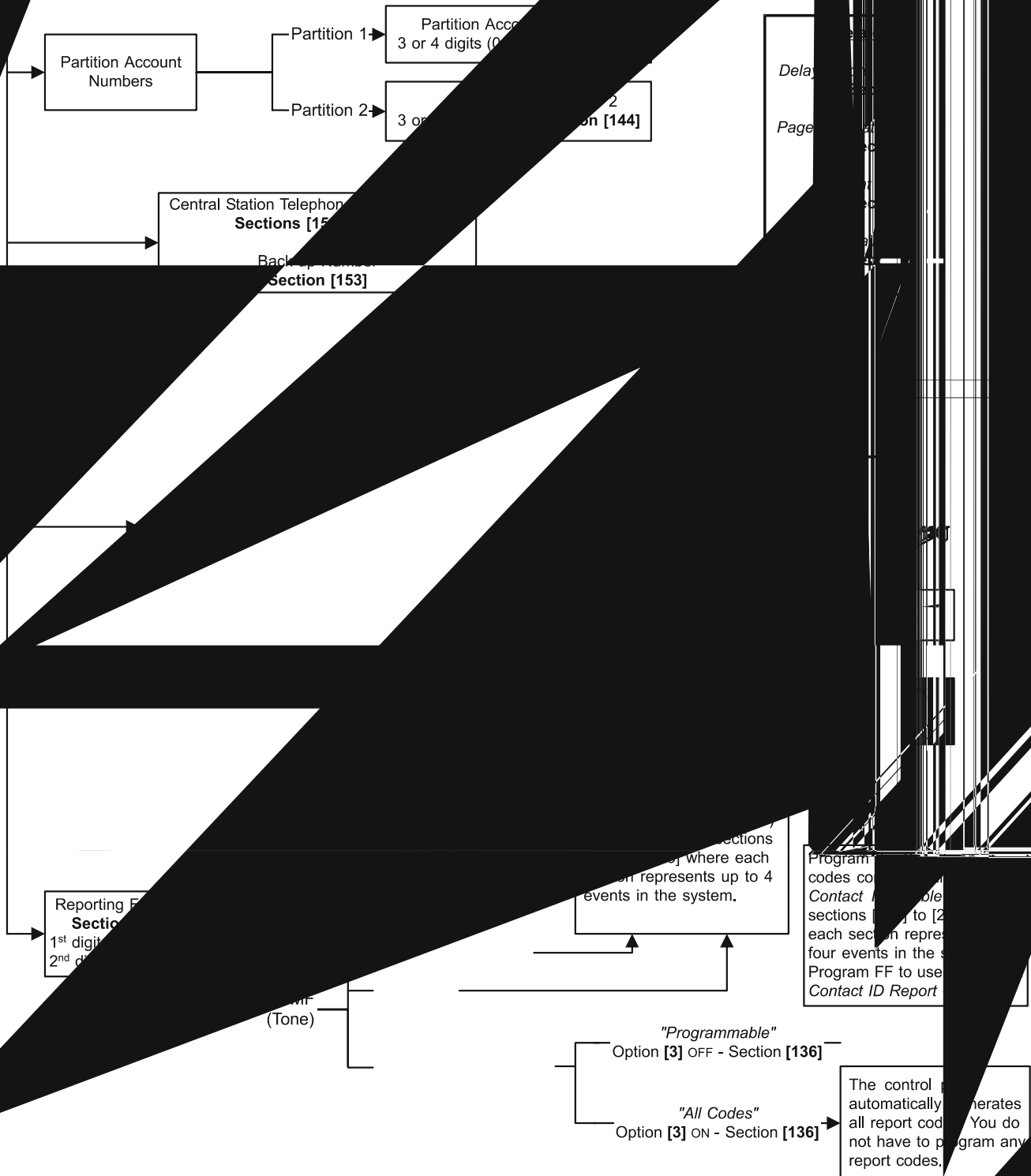
Section [094]

When a panic alarm is activated, the control panel can ignore the disarm signal from a remote control (see the SPC-319 Wireless Bus Module Reference & Installation Manual) for a specified period. This prevents an aggressor from disarming the system by remote control during a panic situation. In section [094] enter a 3-digit value (000 to 255, 000 = disabled) representing the number of seconds that the remote controls will be locked out of the system.

CHAPTER 8: REPORTING AND DIALER SETTINGS

The following section explains all the features and options that must be programmed in order for your system to properly report events to a central station. When an event (e.g. zone in alarm) occurs, the system verifies that the event was programmed in the section corresponding to the event (except for Contact ID). If a report was programmed, the control panel will dial the central station telephone number defined in the Central Station Telephone Number Section. When the central station answers, the control panel will transmit the event report code programmed in the Report Code Section.

Figure 8.1: Event Reporting



8.1 REPORTING/DIALER (ENABLE/DISABLE)

Section [135]: Dialer Options

Option [3] OFF = Reporting/Dialer Disabled (default)

Option [3] ON = Reporting/Dialer Enabled

8.2 REPORT CODES

A report code is a 1- or 2-digit hexadecimal value consisting of digits from 1 to F. Each section from [160] to [213] represents a set of up to four specific events and each of these events can be programmed with a separate 1- or 2-digit report code.



Only the Ademco Slow, Silent Knight, Sescoa and Pager Formats support 1-digit report codes. To program a 1-digit report code, press the [FORCE] key followed by the desired hexadecimal digit or vice versa.

When a specific event occurs, the control panel will attempt to transmit the programmed report code to the central station. The method of report code transmission is defined by the *Reporting Formats* (see page 36) and the *Event Call Direction* (see page 38). These two items define how and where the report codes are transmitted. If you are using the Ademco Contact ID "All Codes" format, sections [160] to [213] do not have to be programmed. For more information, refer to *Reporting Formats* (see page 36). The following sub-sections provide a brief description of the events that the control panel can report.

8.2.1 ARMING REPORT CODES

Sections [160] to [171]

A report code can be programmed for each of the 48 User Access Codes. When using an access code to arm a partition, the control panel can send the appropriate report code to the central station, identifying which access code was used to arm the partition.

8.2.2 SPECIAL ARMING REPORT CODES

Sections [172] and [173]

Whenever the system is armed using one of the special arming features listed below, the control panel can send the appropriate report code to the central station identifying how the system was armed.

Section [172]

- **TIMED AUTO-ARMING:** A partition has armed itself at the programmed time (see page 28).
- **LATE TO CLOSE:** Reports every day at the time specified by the Auto-Arm Timer (see page 28).
- **NO MOVEMENT:** A partition has armed itself after the programmed period without movement (see No Movement Arming on page 28).
- **PARTIAL ARMING:** A partition was Stay, Instant or Force Armed or armed with Bypassed zones.

Section [173]

- **ONE-TOUCH ARMING:** A partition was armed using a One-touch Arming feature (see page 29).
- **REMOTE ARMING:** A partition was armed using the Winload software.
- **KEYSWITCH ARMING:** A partition was armed using a keyswitch (see page 22)
- Future use

8.2.3 DISARMING REPORT CODES

Sections [174] to [185]

A report code can be programmed for each of the 48 User Access Codes. Whenever an access code is used to disarm an armed partition or a partition in alarm, the control panel can send the appropriate report code to the central station, identifying which access code was used to disarm the partition.



The Disarming and the Special Disarming report codes can be transmitted every time a partition is disarmed or only when a partition is disarmed after an alarm (see Disarming Reporting Options on page 40).

8.2.4 SPECIAL DISARMING REPORT CODES

Section [186]

Whenever using one of the special disarming features, the control panel can send the report code to the central station, identifying how the system was disarmed.

- **CANCEL AUTO-ARM:** A partition is disarmed during the Timed Auto-Arm's 60-second Exit Delay (see page 28). Only reports if Disarming Reporting Options (see page 40) are set to always report disarming.
- **REMOTE DISARM:** System is disarmed using the Winload software.
- **KEYSWITCH DISARMING:** System disarmed using a keyswitch (see page 22).
- Future use

8.2.5 ZONE ALARM REPORT CODES

Sections [187] to [190]

A report code can be programmed for each of the 16 available zones. Whenever a zone generates an alarm, the control panel can send the appropriate report code to the central station, identifying which zone generated an alarm.

8.2.6 ZONE ALARM RESTORE REPORT CODES

Sections [191] to [194]

A report code can be programmed for each of the 16 available zones. The control panel can transmit these report codes to the central station identifying which zone was restored.



A zone is restored when it closes after generating an alarm or once the bell has cut-off after alarm generation. Please refer to Zone Restore Report Options on page 40.

8.2.7 SPECIAL ALARM REPORT CODES

Sections [195] and [196]

Whenever the system generates an alarm due to one of the conditions listed below, the control panel can send the appropriate report code to the central station identifying the type of alarm.

Section [195]

- **EMERGENCY PANIC:** Panic keys [1] and [3] have been pressed (see page 31).
- **AUXILIARY PANIC:** Panic keys [4] and [6] have been pressed (see page 31).
- **FIRE PANIC:** Panic keys [7] & [9] have been pressed (see page 31).
- **RECENT CLOSING:** Reports when an alarm is generated after arming the system within period defined by the Recent Close Delay (see page 39).

Section [196]

- **AUTO ZONE SHUTDOWN:** A zone communicates more than the programmed number of transmissions in a single armed period (see page 24).
- **DURESS:** A Duress access code is keyed in (see page 18).
- **KEYPAD LOCKOUT:** If a consecutive number of invalid codes are entered into a keypad, the control panel can be set to deny access from all keypads for a specified period.
- Future use

8.2.8 ZONE TAMPER REPORT CODES

Section [197] to [200]

A report code can be programmed for each of the 16 available zones. Whenever a tamper or wire fault occurs on a zone, the control panel can send the appropriate report code to the central station identifying which zone was tampered.

8.2.9 ZONE TAMPER RESTORE REPORT CODES

Sections [201] to [204]

A report code can be programmed for each of the 16 available zones. Whenever a tampered zone is restored, the control panel can send the appropriate report code to the central station identifying which zone has been restored.



If Tamper Recognition (see page 30) is disabled, the control panel will not report the occurrence of any tampers, wire faults or tamper restores.

8.2.10 SYSTEM TROUBLE REPORT CODES

Section [205] to [207]

Whenever the system generates one of the instances listed below, the control panel can send the appropriate report code to the central station identifying the type of system trouble.

Section [205]

- Future use
- **AC FAILURE:** The control panel has detected a loss of AC power. Transmission of this report code can be delayed (see Power Failure Report Delay on page 39).
- **BATTERY FAILURE:** backup battery is disconnected or battery voltage is $\leq 10.5V$.
- **AUXILIARY SUPPLY:** Auxiliary power supply has overloaded (current consumption is $>1.1A$).

Section [206]

- **BELL OUTPUT OVERLOAD:** Bell/siren output has overloaded (see page 10).
- **BELL OUTPUT DISCONNECTED:** Devices connected to the Bell Output have been disconnected.
- **TIMER LOSS:** The control panel has detected a loss in time or clock failure (see page 44)
- **FIRE LOOP TROUBLE:** The control panel has detected a tamper trouble on a fire zone.

Section [207]

- **WIRELESS LOW BATTERY:** The battery voltage of a Liberator or Omnia wireless transmitter (motion detector or contact switch) has dropped below recommended limits.
- **MODULE FAULT:** Will report if all keypads connected to the control panel have been disconnected or if a module with its corresponding supervision option enabled in the control panel (see pages 45 and 46) is disconnected.
- **PRINTER FAULT:** An error has occurred on the Printer Bus Module.
- **FAIL TO COMMUNICATE:** The control panel has failed all attempts to communicate with the central station. The report code will be transmitted upon the next successful attempt.

8.2.11 SYSTEM TROUBLE RESTORE CODES

Sections [208] to [210]

Whenever the system restores one of the troubles listed in section 8.2.10, the control panel can send the appropriate report code to the central station identifying the type of system trouble restore. If Telephone Line Monitoring is enabled (see page 40), the control panel can also transmit a TLM Restore report code.

8.2.12 SPECIAL REPORTING CODES

Sections [211] to [213]

Whenever the system generates one of the instances listed below, the control panel can send the appropriate report code to the central station identifying the type of system occurrence.

Section [211]

- **COLD START:** The control panel was completely shutdown (no battery, no AC) and then was re-started.
- **TEST REPORT:** A test report has been generated automatically (see page 39).
- Not available
- **PC EXIT:** The control panel has ended communication with WinLoad.

Section [212]

- **INSTALLER IN:** Installer has entered the programming mode.
- **INSTALLER OUT:** Installer has exited the programming mode.
- Future use
- Future use

Section [213]

- **TX SUPERVISION LOSS:** Wireless Transmitter Supervision (see SPC-319 Instruction Sheet) has been enabled and a transmitter is no longer communicating with the system.
- **TX SUPERVISION RESTORE:** Reports when the above trouble has been restored
- Future use
- Future use

8.3 CENTRAL STATION TELEPHONE NUMBERS

Section [151] = Phone#1, [152] = Phone#2, [153] = Backup Phone#: Up to 32 digits

The Spectra Control Panels can dial up to 2 different central station telephone numbers. You can enter any digit from 0 to 9 and any special keys or functions (see Table 7) up to a maximum of 32 digits. For more information on how these telephone numbers are used, please refer to *Event Call Direction* on page 38 and *Reporting Formats* in section 8.5. After the *Maximum Dialing Attempts* (see page 39) to one central station telephone number have failed, the control panel will then dial the backup telephone number. If the *Alternate Dial Option* (see page 39) is enabled, the control panel will dial the programmed backup telephone number after every failed attempt. If no backup telephone number is programmed, the control panel will never report to the backup telephone number. Also refer to *Delay Between Dialing Attempts* on page 39.

Table 7: Special Keys for Telephone Numbers

Press	Action or Value
[STAY]	*
[BYP]	#
[MEM]	switch from pulse to tone dialing or vice versa
[TBL] or [TRBL]	4-second pause
[FORCE]	deletes current digit
[PG] or [FNC1]	inserts blank space

8.4 PARTITION ACCOUNT NUMBERS

Section [143] = Partition 1, [144] = Partition 2

All report codes are preceded by a 4-digit or 3-digit Partition Account Number to ensure correct identification in a partitioned system. Partition account numbers can be any hexa-digit from 1 to F. To enter a 3-digit account number, simply press the [FORCE] key followed by the 3-digit account number. Also, when using 3-digit account numbers, you must use 1-digit report codes.

8.5 REPORTING FORMATS*

Section [140]: 1st digit = Format for Phone #1, 2nd digit = Format for Phone #2

The Spectra Control Panels can use a number of different reporting formats and each Central Station Telephone Number can be programmed with a different reporting format. The first digit entered into section [140] represents the reporting format used to communicate with Central Station Telephone Number 1, the second digit represents the reporting format used to communicate with Central Station Telephone Number 2. The Backup Telephone Number uses the same reporting format as the last Central Station Telephone Number that was dialed.

Table 8: Reporting Formats

Value Entered	Reporting Format
1	Ademco Slow (1400Hz, 1900Hz, 10BPS)
2	Silent Knight Fast (1400Hz, 1900Hz, 10BPS)
3	SESCOA (2300Hz, 1800Hz, 20BPS)
4	Ademco Express (DTMF 4+2)
5 (Default)	Ademco Contact ID
6	Pager Format



If Hexadecimals (0 to FF) are used to program the report codes, verify that the pager also supports Hexadecimals. If the pager does not support Hexadecimals, use only the digits 0 to 9.

8.5.1 STANDARD PULSE FORMATS

The Spectra Control Panels can use the Ademco slow, Silent Knight and SESCOA standard pulse reporting formats (see Table 8).

* **UL Note:** The installer is required to verify the complete compatibility of the DAC Receiver and formats at least once per year.

8.5.2 ADEMCO EXPRESS

The Ademco Express is a high-speed reporting format, which will transmit the 2-digit (11 to FF) report codes programmed into sections [160] to [213]. Unlike other Ademco formats, the Ademco Express does not use the Contact ID Report Codes.

8.5.3 ADEMCO CONTACT ID

Ademco Contact ID is a fast communicator format that uses tone reporting instead of pulse reporting. This communicator format also uses a pre-defined list of industry standard messages and report codes that will suit most of your basic installation needs. Please refer to the Contact ID Report Codes List in the Programming Guide for a complete list of these report codes and messages.

8.5.4 CONTACT ID OPTIONS

Section [136]: Dialer Options
Option [3] OFF = Programmable Codes
Option [3] ON = All Codes (default)

When using the Programmable Codes format, use the Ademco Contact ID Report Codes List in the Spectra System Programming Guide (version 2.0 or higher) to program the desired report codes into sections [160] to [213]. Enter FF to use the default Contact ID Report Codes. Press the [FORCE] key to enter a 0 value. When using the All Codes format, the control panel will automatically generate Contact ID Report Codes for every event in sections [160] to [213]. Refer to the "All Codes" Ademco Contact ID Report Code List in the Spectra System Programming Guide.



When using the Ademco Contact ID Programmable format, both telephone numbers must use this reporting format.

8.5.5 PAGER REPORTING FORMAT

Section [136]: Dialer Options
[6] OFF / [7] OFF: 1 call to the pager/cellular telephone
[6] OFF / [7] ON: 2 calls to the pager/cellular telephone
[6] ON / [7] OFF: 3 calls to the pager/cellular telephone
[6] ON / [7] ON: 4 calls to the pager/cellular telephone

Using this format allows the control panel to transmit report codes to a pager or a cellular telephone. Since the control panel cannot confirm whether the transmission was successful or not, it can be programmed to call the pager or cellular telephone up to four times and transmit the report codes each time. To ensure that the report is received, the control panel transmits the account number, the report code and the # sign four times during each call. Also, refer to the Pager Delay in section 8.6.

8.6 PAGER DELAY

Section [083]
001 to 255 seconds, default = 5 seconds

When using the Pager Reporting Format (see section 8.5.5), the control panel will wait for the Pager Delay period before transmitting the report codes. This is to allow time for the pager system to provide a dial tone or to bypass the "welcome" message before sending data.

8.7 EVENT CALL DIRECTION

Section [137]

Option [1] ON = Call Telephone #1 for → Arm/Disarm Report Codes in sections [160] to [186]
Option [2] ON = Call Telephone #2 for

Option [3] ON = Call Telephone #1 for → Alarm/Restore Report Codes in sections [187] to [196]
Option [4] ON = Call Telephone #2 for

Option [5] ON = Call Telephone #1 for → Tamper/Restore Report Codes in sections [197] to [204]
Option [6] ON = Call Telephone #2 for

Section [138]

Option [1] ON = Call Telephone #1 for → Trouble/Restore Report Codes in sections [205] to [210]
Option [2] ON = Call Telephone #2 for

Option [3] ON = Call Telephone #1 for → Special Report Codes in sections [211] to [213]
Option [4] ON = Call Telephone #2 for

This feature determines where each group of events will be reported. The control panel events are divided into five groups (see above) where each event group can be programmed to dial one or both Central Station Telephone Numbers. When a reportable event occurs in the system, the control panel will verify that one of the two telephone numbers has been enabled. The control panel will begin by dialing the selected telephone number(s). If both numbers were selected it will begin with Central Station Telephone Number 1. After the *Maximum Dialing Attempts* (see page 39) to one central station telephone number have failed, the control panel will then dial the backup telephone number. If the *Alternate Dial Option* (see page 39) is enabled, the control panel will dial the programmed backup telephone number after every failed attempt. If no backup telephone number is programmed, the control panel will never report to the backup telephone number. Also, refer to *Delay Between Dialing Attempts* on page 39.

Example: *The system is armed and zone 1 has been breached causing an alarm. If option [3] is off and option [4] is on in section [137], the control panel will attempt to communicate with Central Station Telephone Number 2 in order to transmit the Zone 1 Alarm Report Code programmed in section [187].*

8.8 DIALING METHOD

Section [135]: Dialer Options

Option [4] OFF = Pulse Dialing. (Also, refer to Pulse Ratio)

Option [4] ON = Tone/DTMF Dialing (default)

8.9 PULSE RATIO

Section [135]: Dialer Options

Option [5] OFF = European Pulse Ratio of 1:2

Option [5] ON = U.S.A. Pulse Ratio of 1:1.5 (default)

When using Pulse dialing, you can select one of two Pulse Ratios. Although most European countries use the 1:2 pulse ratio, the 1:1.5 ratio may provide better results in some cases. The same applies for North American countries. If the 1:1.5 pulse ratio is not providing the desired results, the 1:2 ratio may be used.

8.10 BELL ON COMMUNICATION FAILURE

Section [135]: Dialer Options

Option [6] OFF = Bell On Communication Failure Disabled (default)

Option [6] ON = Bell On Communication Failure Enabled

If the control panel fails to communicate with the central station when the system is armed, it will enable the BELL output, setting off any bells or sirens connected to the output.

8.11 DIAL TONE DELAY

Section [136]: Dialer Options

Option [5] OFF = Dialer will continue to dial if no dial tone is present after 4 seconds (default).

Option **[5]** ON = Dialer will hang-up if no dial tone is present after 16 seconds

8.12 MAXIMUM DIALING ATTEMPTS

Section [081]

001 to 016 attempts, Default = 8 attempts

The value programmed in section **[081]** determines how many times the control panel will re-dial the same Central Station Telephone Number before proceeding to the next number.

8.13 DELAY BETWEEN DIALING ATTEMPTS

Section [082]

000 to 255 seconds, Default = 20 seconds

This delay determines the amount of time the control panel will wait between each dialing attempt.

8.14 ALTERNATE DIAL OPTION

Section [136]: Dialer Options

Option **[4]** OFF = Alternate Dial Disabled (default)

Option **[4]** ON = Alternate Dial Enabled

With option [4] off, the control panel will dial the backup telephone number programmed in section **[153]** after all attempts to one Central Station Telephone Number have failed (see section 8.12). With option [4] on, the control panel will dial the backup telephone number after every failed attempt.

8.15 RECENT CLOSE DELAY

Section [085]

000 to 255 seconds, Default = no delay

If after having armed the system, an alarm is generated within the period defined by the Recent Close Delay, the control panel will attempt to transmit the Recent Close report code programmed in section **[195]**.

8.16 AUTO TEST REPORT

Sections [087]

000=disabled, 001 to 255 days, Default = disabled

Section [110]: Time (HH:MM)

The control panel will transmit the Test Report report code programmed into section **[211]** after the number of days programmed into section **[087]** has elapsed at the time programmed into section **[110]**. Use the 24-hour clock to program the time (i.e. 6:30PM = 18:30). The first Test Report will be transmitted within 24 hours after the feature is enabled at the time programmed in [110].

***Example:** Section [087] = 005 and section [110] = 13:00. The first Test Report will be sent at 1 PM that day and then the report will be sent every 5 days at 1 PM.*

8.17 POWER FAILURE REPORT DELAY

Section [086]

001 to 255 minutes, Default = 15 minutes

The control panel will transmit the AC Failure report code programmed in section **[205]** after the Power Failure Report Delay period has elapsed.

8.18 DISARM REPORTING OPTIONS

Section [131]: Arming /Disarming Options

Option [1] OFF = Always Report Disarming

Option [1] ON = Report Disarming Only After Alarm (default)

With option [1] off, the control panel will send the Disarming report codes (see page 33) to the central station every time the system is disarmed. With option [1] on, the control panel will send the Disarming report codes to the central station when the system is disarmed following an alarm.

8.19 ZONE RESTORE REPORT OPTIONS

Section [132]: Zone Options

Option [6] OFF = Report On Bell Cut-Off (default)

Option [6] ON = Report On Zone Closure

With option [6] off, the control panel will send the Zone Alarm Restore report codes (see page 34) to the central station when the zone has returned to normal and the Bell Cut-Off Timer has elapsed (see page 30). With option [6] on, the control panel will send the Zone Alarm Restore report codes to the central station as soon as the zone returns to normal or when the system is disarmed.

8.20 TELEPHONE LINE MONITORING (TLM)

When enabled, the system verifies the existence of a telephone line once every second. A line test failure occurs when the TLM detects less than 3 volts for the period defined by the TLM Fail Timer. If the line test fails, the control panel's STATUS LED flashes and generates one or more conditions as defined by the TLM settings below. These will be restored when the control panel detects the telephone line again. Please note that when the dialer detects an incoming call, the TLM test will stop for 1 minute.

Section [135]: Dialer Options

[1] OFF / [2] OFF: *TLM Disabled*

[1] OFF / [2] ON: *Trouble Only*

Upon line test failure, a TLM Trouble will appear in the keypads' *Trouble Display* (see page 50).

[1] ON / [2] OFF: *Alarm If System Armed*

Upon line test failure, a TLM Trouble will appear in the keypads' *Trouble Display* (see page 50) and if the system is armed, the control panel will generate an alarm.

[1] ON / [2] ON: *Silent Alarm Becomes Audible*

Upon line test failure, a TLM Trouble will appear in the keypads' *Trouble Display* (see page 50) and causes a silent zone or silent panic alarm to switch to audible.

8.20.1 TLM FAIL TIMER

Section [079]

016 to 255 x 2 seconds, Default = 32 seconds

If TLM does not detect the existence of a telephone line for the duration of this period, the control panel will generate the condition(s) defined by the TLM options (see above).

PART 9: PROGRAMMABLE OUTPUTS

A PGM is a programmable output that toggles to its opposite state (i.e. a normally open PGM will close) when a specific event has occurred in the system. For example, a PGM can be used to reset smoke detectors, activate bells or strobe lights, open/close garage doors and much more. When a PGM closes, the control panel supplies a ground to the PGM activating any device or relay connected to it. When a PGM opens, the circuit opens from ground, therefore, cutting power to any devices connected to it.

PGM1

1728EX and 1728: A programmable output that provides up to 150mA. Refer to *PGM for 1728EX and 1728* on page 10.

1738EX and 1738: A programmable output that provides up to 1A. Refer to *Alarm Relay and PGMs for 1738EX and 1738* on page 10.

PGM2

1738EX and 1738 only: PGM2 is a programmable output that can provide up to 1A. PGM2 is designed to be used as a Strobe Output. For information refer to *PGM Strobe Options* on page 42. For connections, refer to *Alarm Relay and PGMs for 1738EX and 1738* on page 10.

Global PGM

The Global PGM allows you to use the control panel's PGM Event List to activate PGMs located on a module or LCD keypad. For example, if you enable a module's "Follows Global PGM" option, the PGM on the module will activate whenever the event programmed in section [124] occurs. Every PGM on every keypad and/or expansion bus module can be programmed to follow the event(s) defined by the Global PGM.

9.1 PGM ACTIVATION EVENT

Sections [120], [122], and [124]

This feature allows you to program the control panel to activate a PGM when a specific event occurs in the system. The PGM will remain in its active state until the programmed *PGM Deactivation Event* occurs or when the *PGM Delay* period elapses (see page 42). For the Event List see the PGM Table in the *Spectra 1728EX, 1728, 1738EX and 1738 Programming Guide*. PGM2 is available on the 1738EX and 1738 only. To program a PGM Activation Event:

- 1) Enter section that represents the desired PGM. PGM1 = [120], PGM2 = [122], Global PGM = [124]
- 2) Enter the **Event Group #**.
- 3) Enter the **Sub-Group #**.
- 4) Enter the **Partition #**
 - 01 = Partition 1
 - 02 = Partition 2
 - 99 = Both Partitions



The "AC Loss" PGM Event will only occur after the Power Failure Report Delay elapses (see page 39).

9.2 PGM DEACTIVATION EVENT

Sections [121], [123], [125]

After PGM activation, the PGM will return to its normal state (deactivate) when the programmed PGM Deactivation Event occurs. Instead of deactivating the PGM when a specific event occurs, the PGM can deactivate after a programmed period elapses (see *PGM Delay*). For the Event List see the PGM Table in the *Spectra 1728EX, 1728, 1738EX and 1738 Programming Guide*. PGM2 is available on the 1738EX and 1738 only. ***If using the PGM Delay, these sections can be used as a second activation event.***

- 1) Enter section that represents the desired PGM. PGM1 = [121], PGM2 = [123], Global PGM = [125]
- 2) Enter the **Event Group #**.
- 3) Enter the **Sub-Group #**.
- 4) Enter the **Partition #**
 - 01 = Partition 1
 - 02 = Partition 2
 - 99 = Both Partitions

9.3 PGM DELAY

Section [066] = PGM1, [067] = PGM2, [068] = Global PGM
001 to 255 seconds, 000 = Follows Deactivation Event, Default = 5 seconds

Instead of deactivating the PGM on the occurrence of a specific event, the PGM will deactivate after the period programmed here has elapsed. PGM2 is available on the 1738EX and 1738 only.



If a PGM Delay is programmed, the deactivation event can be used as a second activation event.

9.4 PGM NORMAL STATE

Section [126]: Options [4], [5] and [6]

A PGM toggles to its opposite state (i.e. a normally open PGM will close) when a specific event has occurred in the system. PGM2 is available on the 1738EX and 1738 only. You can program each PGM output to be normally open (N.O.) or normally closed (N.C.) by enabling or disabling options [4], [5] and [6] in section [126].

Option [4] OFF = PGM1 Normally Closed (Default)
Option [4] ON = PGM1 Normally Open

Option [5] OFF = PGM2 Normally Closed (Default)
Option [5] ON = PGM2 Normally Open

Option [6] OFF = Global PGM Normally Closed (Default)
Option [6] ON = Global PGM Normally Open

9.5 PGM2 STROBE OPTIONS (1738EX and 1738 Only)

Section [129]: General Options

Option [1] OFF = PGM2 Output is Steady (Default)
Option [1] ON = PGM2 Output is Pulsed (Strobe)

With option [1] enabled, PGM2 will flash on and off whenever activated. Otherwise, it will provide a steady output.

Option [2] OFF = Disable PGM2 Pulse When System is Armed (Default)
Option [2] ON = Enable PGM2 Pulse When System is Armed

Whenever the system is armed, PGM2 will flash once every 30 seconds until the system is disarmed.

Option [3] OFF = Disable PGM2 Pulse on Arm/Disarm (Default)
Option [3] ON = Enable PGM2 Pulse on Arm/Disarm Enabled

With this option enabled, PGM2 will flash once to indicate the system has been armed and will flash twice to indicate that the system has been disarmed.

9.6 ALARM RELAY OPTIONS (1738EX and 1738 Only)

Section [127]: General Options

Option [7] OFF = Alarm Relay Follows Bell Output (Default)
Option [7] ON = Alarm Relay Follows Global PGM

With this option off, the optional Alarm Relay will activate or deactivate whenever the Bell Output activates or deactivates. With the option on, the Alarm Relay will activate or deactivate whenever Global PGM activates or deactivates.

PART 10: SYSTEM SETTINGS

10.1 HARDWARE RESET

Performing a hardware reset will set all control panel settings to factory default except for the Panel ID and PC Password. Also, the event buffer will **not** be erased. To perform a power down reset:

- 1) Make sure the *Installer Lock* is disabled (see below)
- 2) Remove battery and AC power from the control panel.
- 3) Set the RESET jumper to on by placing a jumper on the RESET pins of the control panel.
- 4) Re-connect AC and battery power to the control panel.
- 5) Wait 10 seconds and remove the jumper.

10.2 INSTALLER LOCK

Section [282]

000 = Disabled, 147 = Lock Enabled, Default = Disabled

Program 147 into section [282] to lock all programming. Performing a hardware reset will not affect the current panel settings. To remove the Installer Lock, enter 000. Please note that four seconds after resetting the control panel the STATUS LED on the control panel will flash fast for 5 seconds to indicate that the installer lock is enabled.

10.3 KEYPAD LOCKOUT FEATURE

Sections [092] and [093]

If a consecutive number of invalid codes are entered into a keypad, the control panel can be set to deny access from all keypads for a specified period and send the report code programmed in section [196]. Program the number of consecutive invalid codes from 001 to 255 (000 = disabled) into section [092]. Program the duration of the Keypad Lockout from 001 to 255 minutes into section [093]. If 000 is programmed in section [093], the keypads will not be locked-out, but the report code programmed in section [196] will be sent.

10.4 BATTERY CHARGE CURRENT

Section [127]: General Options

Option [5] OFF = Battery Charge Current: 350mA (default)

Option [5] ON = Battery Charge Current: 700mA (40VA transformer required)

10.5 PARTITIONING

Section [127]: General Options

Option [1] OFF = Partitioning Disabled (default)

Option [1] ON = Partitioning Enabled

The *Spectra* system is equipped with a partitioning feature which can divide the alarm system into two distinct areas identified as Partition 1 and Partition 2. Partitioning can be used in installations where shared security systems are more practical, such as an office/warehouse building. When partitioned, each zone, each User Code (see *User Code Options* on page 17) and some of the system's features can be assigned to Partition 1, Partition 2 or both (see *Zone Partition Assignment* on page 23). ***If the system is not partitioned, all User Codes and features will be recognized as belonging to Partition 1.***

- Users can only arm partitions to which they have been assigned.
- Only zones assigned to Partition 1 will arm/disarm when Partition 1 is armed or disarmed.
- Only zones assigned to Partition 2 will arm/disarm when Partition 2 is armed or disarmed.
- Zones assigned to both partitions will arm when both partitions are armed and will disarm when at least one disarms.
- The following features can be programmed separately for each partition: Entry/Exit Delay Timer, Auto-Arming Options, Bell Cut-Off Timer, Switch to Stay Arming, PGM Events and Account Numbers.



If the system is not partitioned, all zones, User Codes, and features will be recognized as belonging to partition 1. Zones that have been manually assigned to partition 2 will no longer function.

10.6 SYSTEM REAL-TIME CLOCK

Section [280]

Program the current time into section [280] using the 24-hour clock (i.e. 8:30PM = 20:30).

10.7 CLOCK ADJUST

Section [088]

000 = Disabled, 001 to 255, Default = Disabled

001 to 127 = + 1 to +127 seconds

128 to 255 = -1 to -127 seconds

If you notice a gain or loss in control panel time, calculate the average gain or loss per day and program the opposite amount in order to automatically correct the time setting every 24 hours.

Example: If a control panel loses 4 minutes per month, this represents an average loss of 8 seconds per day. Therefore, programming 008 (plus 8 seconds) into section [088] would compensate for the 8-second loss.

10.8 KEYPAD TAMPER SUPERVISION

Section [128]: General Options

Option [7] OFF = Keypad 1 Tamper Supervision Disabled (default)

Option [7] ON = Keypad 1 Tamper Supervision Enabled

Option [8] OFF = Keypad 2 Tamper Supervision Disabled (default)

Option [8] ON = Keypad 2 Tamper Supervision Enabled

The control panel can be programmed to monitor the on-board tamper status of one or two keypads in the system. If Keypad 1 Tamper Supervision is enabled, the control panel will verify the on-board tamper status of a keypad whose Keypad Zone Jumper (J1) is set to on. If Keypad 2 Tamper Supervision is enabled, the control panel will verify the on-board tamper status of a keypad whose Keypad Zone Jumper (J1) is set to off.



Regardless of whether the keypad zones are being used or not, if more than one keypad has the same Keypad Zone Jumper setting, Keypad Tamper Supervision will be lost. For example, if two of the keypads in your system have the keypad zone jumper (J1) set to on, the control panel will not recognize a Keypad 1 Tamper Supervision Failure.

If a keypad tamper occurs, the control panel can transmit the appropriate Zone Tamper report code (see page 34) as originating from the zones specified by the Table 9. If the zone (as specified by Table 9) is enabled, the control panel will report the tamper as originating from the partition where the zone is assigned. If the zone is not enabled, the control panel will send the Zone Tamper report code as originating from partition 1. A *Tamper/Zone Wiring Failure* will also appear in the keypads' *Trouble Display* (see page 50).

Table 9: Zone Tamper Report Code for Keypad Tamper Supervision Failure

Keypad Tamper	1728EX	1728	1738EX	1738
	NO ATZ	WITH ATZ	NO ATZ	WITH ATZ
Keypad 1 Tamper Supervision =	Zone 6	Zone 11	Zone 8	Zone 15
Keypad 2 Tamper Supervision =	Zone 7	Zone 12	Zone 9	Zone 16



When Reassign Keypad Zone 2 is enabled (see section 5.2), the Keypad Tamper Supervision for keypad zone 2 is lost. Therefore, Keypad Tamper Supervision will ONLY function on Keypad Zone 1.

10.9 KEYPAD AUDIBLE TROUBLE WARNING

Section [127]: General Options

Option [3] OFF = Keypad Beep on Trouble Disabled

Option [3] ON = Keypad Beep on Trouble Enabled (default)

When enabled, the keypads emit an intermittent beep tone whenever a trouble condition occurs in the system. The intermittent beep tone remains activated until the user enters the Trouble Display by pressing the [TBL] or [TRBL] key. The intermittent beeps will re-initialize whenever a new trouble occurs or the trouble restores and re-occurs.

10.10 CONFIDENTIAL MODE

Section [126] Options [1], [2] and [3]

Option [1] OFF = Confidential Mode Disabled (default)

Option [1] ON = Confidential Mode Enabled

Option [2] OFF = Keypads activate when an access code is entered

Option [2] ON = Keypads activate when a key is pressed (default)

Option [3] OFF = Confidential Mode Timer is 2 minutes

Option [3] ON = Confidential Mode Timer is 5 seconds (default)

If Confidential Mode is enabled and no actions are performed on the keypads for the time defined by the Confidential Mode Timer, all the keypads' LEDs will be off and LCD screens will show "Paradox Family" until either a key is pressed or an access code is entered. When the system exits Confidential Mode, the keypads will display the system's status. Confidential Mode is activated by enabling option [1]. Option [2] regulates whether the keypads will be activated at the touch of a key or only when an access code is entered. Option [3] determines the amount of time without action before the system enters Confidential Mode (5 seconds or 2 minutes).

10.11 INSTALLER QUICK FUNCTIONS KEYS

After entering the Installer Code, you can press a key to perform specific actions as described below.

10.11.1 INSTALLER TEST MODE

[ENTER] + [INSTALLER CODE] + [TBL] OR [TRBL]

The Installer Test Mode allows you to perform walk tests where the bell or siren will squawk and the keypad will emit a Confirmation Beep to indicate opened zones. To enter this mode, simply enter the Installer Code then press the [TBL] or [TRBL] key. The keypad will emit a confirmation beep. To disable this mode, press the [TBL] key again. The keypad will emit a Rejection Beep.

10.11.2 TEST REPORT

[ENTER] + [INSTALLER CODE] + [MEM]

Sends the Test Report report code programmed in section [211] to the central station (see *Reporting and Dialer settings* on page 32).

10.11.3 CALL WINLOAD SOFTWARE

[ENTER] + [INSTALLER CODE] + [BYP]

Refer to page 49.

10.11.4 CANCEL COMMUNICATION

[ENTER] + [INSTALLER CODE] + [STAY]

Cancels all communication until the next reportable event.

10.11.5 ANSWER WINLOAD SOFTWARE

[ENTER] + [INSTALLER CODE] + [FORCE]

Refer to page 49.

10.12 4-OUTPUT BUS MODULE SUPERVISION

Section [129]: General Options

Option [7] OFF = 4-Output Bus Module Supervision Disabled (default)

Option [7] ON = 4-Output Bus Module Supervision Enabled

By enabling this option, the control panel will supervise the 4-Output Bus Module (APR3-PGM4) connected to the Spectra bus. This means that whenever the 4-Output Bus Module is disconnected or is not communicating with the control panel, the control panel will attempt to transmit the Module Fault report code programmed in section [210] and the Module Loss Failure will appear in the keypads' *Trouble Display* (see page 50).



Modules with the APR- prefix are compatible with Spectra (versions 2.0 and higher) and Digiplex. Modules with the APR3- prefix are compatible with Spectra (versions 2.0 and higher), Digiplex and DigiplexNE.

10.13 PRINTER BUS MODULE SUPERVISION

Section [129]: General Options

Option [8] OFF = Printer Bus Module Supervision Disabled (default)

Option [8] ON = Printer Bus Module Supervision Enabled

By enabling this option, the control panel will supervise the Printer Bus Module (APR3-PRT1) connected to the Spectra bus. This means that whenever the Printer Bus Module is disconnected or is not communicating with the control panel, the control panel will attempt to transmit the Module Fault report code programmed in section [210] and the Module Loss Failure will appear in the keypads' *Trouble Display* (see page 50).



Modules with the APR- prefix are compatible with Spectra (versions 2.0 and higher) and Digiplex. Modules with the APR3- prefix are compatible with Spectra(versions 2.0 and higher), Digiplex and DigiplexNE.

10.14 ZONE EXPANSION BUS MODULE SUPERVISION

Section [129]: General Options

Option [4] OFF = Zone Expansion Bus Module Supervision Disabled (default)

Option [4] ON = Zone Expansion Bus Module Supervision Enabled

By enabling this option, the control panel will supervise the 4- or 8-Zone Expansion Bus Module (SPC/APR3-ZX4 or SPC/APR3-ZX8) connected to the Spectra bus. This means that whenever the Zone Expansion Bus Module is disconnected or is not communicating with the control panel, the control panel will attempt to transmit the Module Fault report code programmed in section [210] and the Module Loss Failure will appear in the keypads' *Trouble Display* (see page 50).



Modules with the APR- prefix are compatible with Spectra (versions 2.0 and higher) and Digiplex. Modules with the APR3- prefix are compatible with Spectra(versions 2.0 and higher), Digiplex and DigiplexNE.

10.15 WIRELESS BUS MODULE SUPERVISION

Section [129]: General Options

Option [5] OFF = Wireless Bus Module Supervision Disabled (default)

Option [5] ON = Wireless Bus Module Supervision Enabled

By enabling this option, the control panel will supervise the Wireless Bus Module (SPC-319) connected to the Spectra bus. This means that whenever the Wireless Bus Module is disconnected or is not communicating with the control panel, the control panel will attempt to transmit the Module Fault report code programmed in section [210] and the Module Loss Failure will appear in the keypads' *Trouble Display* (see page 50).

10.16 WIRELESS TRANSMITTER LOW BATTERY SUPERVISION

Section [129]: General Options

Option [6] OFF = Wireless Transmitter Low Battery Supervision Disabled (default)

Option [6] ON = Wireless Transmitter Low Battery Supervision Enabled

When option [6] in section [129] is enabled and the battery voltage of a wireless transmitter (motion detector or contact switch) has dropped below recommended limits, the control panel will attempt to transmit the Wireless Transmitter Low Battery report code programmed in section [210] and the Wireless Transmitter Low Battery Failure will appear in the keypads' *Trouble Display* (see page 50).

10.17 WIRELESS TRANSMITTER SUPERVISION OPTIONS

Section [132]: Zone Options

Please note that the *Supervision Option* on the 900MHz Wireless Bus Module must be enabled (see section 10.15).

[7] OFF / [8] OFF: *Supervision Failure Recognition Disabled (default)*

When a tamper occurs on a wireless transmitter zone **in a disarmed system**, the control panel will display the zone as open in the keypad display, but will not generate an alarm. When it occurs on **in an armed system**, the control panel will follow the zone's *Alarm Types* setting (see page 24). This option is not permitted on UL systems.

[7] OFF / [8] ON: *Trouble Only*

When a tamper occurs on a wireless transmitter zone **in a disarmed system**, a Wireless Transmitter Supervision Loss will appear in the keypads' *Trouble Display* (see page 50) and the control panel will attempt to transmit the TX Supervision Loss report code programmed in section **[213]**. When it occurs on **in an armed system**, the control panel will follow the zone's *Alarm Types* setting (see page 24).

[7] ON / [8] OFF: *Silent Alarm*

When a tamper occurs on a wireless transmitter zone **in a disarmed system**, it functions the same as the Trouble Only setting, but it will also generate a silent alarm. A silent alarm will not trigger any bells or sirens, but the system will have to be disarmed. **In an armed system**, the control panel will follow the zone's *Alarm Types* setting (see page 24).

[7] ON / [8] ON: *Audible Alarm*

When a tamper occurs on a wireless transmitter zone **in a disarmed system**, it functions the same as the Trouble Only setting, except it will also generate an audible alarm. **In an armed system**, the control panel will follow the zone's *Alarm Types* setting (see page 24).

10.17.1 RESTRICT ARMING ON SUPERVISION LOSS

Section [131]: Arming/Disarming Options

Option **[6] OFF** = Disabled (default)

Option **[6] ON** = Restrict Arming on Wireless Transmitter Supervision Loss

The control panel will not allow users to arm the system if it receives a Supervision Loss signal. Please note that the *Wireless Transmitter Supervision Options* (see section 10.17) must be enabled. The control panel will not arm any partition until all Supervision Loss trouble conditions are rectified.

10.17.2 SUPERVISION BYPASS OPTIONS

Section [131]: Arming/Disarming Options

Option **[7] OFF** = Generate Supervision Loss if detected on a Bypassed Wireless Transmitter Zone (default)

Option **[7] ON** = No Supervision Loss if Detected on a Bypassed Wireless Transmitter Zone

When this feature is enabled, the *Wireless Transmitter Supervision Options* will follow the zone's bypass definition. This means the control panel will not perform any action if a Supervision Loss occurs on a bypassed zone. When this feature is disabled, the *Wireless Transmitter Supervision Options* will ignore the bypass definition. This means the control panel will generate an incident as per *Wireless Transmitter Supervision Options* if a supervision loss occurs on a bypassed zone.

10.18 REPROGRAM ALL EXPANSION MODULES

Section [750]

After removing an expansion bus module from the communication bus, the control panel keeps the module's programmed sections in memory. Therefore, if you add or replace a module or when you have downloaded the contents of the Paradox Memory Key (see section 3.4), you can reprogram the modules with the settings saved in the control panel. To do so, enter section **[750]** and press **[ENTER]**. The keypad will emit 2 beeps every second while downloading.

PART 11: SETTINGS FOR WINLOAD SOFTWARE

11.1 PANEL ANSWER OPTIONS

The following two options define how the control panel answers an incoming call from a computer using the WinLoad Software for Windows®.

11.1.1 ANSWERING MACHINE OVERRIDE

Section [077]

000 = Disabled, 010 to 255 seconds, Default = disabled

When using the WinLoad software to communicate remotely with an installation site that uses an answering machine or service, the answering machine override must be programmed. Using the WinLoad software you will call the control panel, hang up, then call back. If the installation site is called back within the programmed delay period, the control panel will override the answering machine or service by picking-up the line after the first ring on the second call. You must wait at least 10 seconds before attempting the second call, otherwise, the control panel will think it is the same call. For details on how to use the WinLoad software, refer to the WinLoad Help Manual.

***Example:** A security installation is using an answering machine set to answer after three rings. If section [077] has been programmed with 040 (40 seconds) and the second call is made within 40 seconds, the control panel will pick up the line on the first ring. If it takes more than 40 seconds, the control panel will not answer on the first ring and the answering machine will answer after three rings.*

11.1.2 NUMBER OF RINGS

Section [078]

000 = disabled, 001 to 015 rings, Default = 8 rings

This value represents the number of rings the control panel will wait before picking-up the line. If the line is not answered after the number of programmed rings, the control panel will answer the call. You must wait at least 10 seconds before attempting the second call or the control panel will think it is the same call.

11.2 PANEL IDENTIFIER

Section [141]

0000 to FFFF

This 4-digit code identifies the control panel to the WinLoad software before initiating communication. The control panel will verify that the Panel Identifier in the WinLoad software is the same. If the codes do not match, the control panel will not establish communication. Therefore, be sure to program the same panel identifier into both the Spectra control panel and the WinLoad software.

11.3 PC PASSWORD

Section [142]

0000 to FFFF

This 4-digit password identifies the PC to the panel before establishing communication. Program the same PC Password into both the Spectra control panel and the WinLoad software. If the passwords do not match, the WinLoad software will not establish communication.

11.4 PC TELEPHONE NUMBER

Section [150]

Up to 32 digits

The control panel will dial this number when trying to initiate communication with a computer using the WinLoad software. You can enter any digit from 0 to 9 and any special keys or functions (see Table 7 on page 36) up to a maximum of 32 digits.

11.5 CALL WINLOAD SOFTWARE

[ENTER] + [INSTALLER CODE] + [BYP]

The control panel will dial the PC Telephone Number programmed in section [150] in order to communicate with the WinLoad software. The control panel and the WinLoad software will verify that the Panel Identifier and the PC Password match before establishing communication.

11.6 ANSWER WINLOAD SOFTWARE

[ENTER] + [INSTALLER CODE] + [FORCE]

In order to perform on-site upload/download connect your computer directly to the control panel using an ADP-1 line adapter. In the WinLoad software set Dialing Method to Blind Dial. Program the panel telephone number in WinLoad software and follow the instructions on the ADP-1 adapter. When the computer has dialed, press [ENTER] followed by the Installer Code, then press the [FORCE] key to manually answer the WinLoad software from the control panel.

11.7 AUTO EVENT BUFFER TRANSMISSION

Section [136]: Dialer Options

Option [2] OFF = Auto Event Buffer Transmission Disabled (default)

Option [2] ON = Auto Event Buffer Transmission Enabled

When the event buffer reaches 50% capacity, the control panel will make two attempts to establish communication with a PC using the WinLoad software by calling the PC Telephone Number programmed in section [150]. The WinLoad software must be in Wait to Dial mode. When the system establishes communication, it will upload the contents of the event buffer to the WinLoad software. If communication is interrupted before completing transmission or if after two attempts communication is not established, the system will wait until the Event Buffer attains another 50% capacity before attempting to re-communicate with the central station. When the Event Buffer is full, each subsequent new event will erase the oldest event in the buffer.

11.8 CALL BACK WINLOAD

Section [136]: Dialer Options

Option [1] OFF = Call Back WinLoad Disabled (default)

Option [1] ON = Call Back WinLoad Enabled

For additional security, when a PC using the WinLoad software attempts to communicate with the control panel, the control panel can hang up and call the PC back in order to re-verify identification codes and re-establish communication. When the control panel hangs up, the WinLoad software automatically goes into Wait for Call mode, ready to answer when the control panel calls back. Please note that the PC Telephone Number must be programmed in section [150] in order to use the Call Back feature.

PART 12: USER OPERATION

12.1 TROUBLE DISPLAY

The Spectra system continuously monitors fourteen possible trouble conditions. When a trouble condition occurs, the [TBL] key or [TRBL] indicator will illuminate on the LED keypads or “Trouble” will appear on the LCD keypad’s screen. Press the [TBL] or [TRBL] key to switch to the *Trouble Display*. The [TBL] key or [TRBL] indicator will flash and lights corresponding to an existing trouble condition will illuminate on the LED keypads (see Table 10) or the appropriate trouble message will appear on the LCD keypad. Press the [CLEAR] key to exit the *Trouble Display*.

Please note that the keypad can be programmed to emit a BEEP every 5 seconds whenever a new trouble condition has occurred. Pressing the [TBL] or [TRBL] key will stop the beeping.

Table 10: *Trouble List*

LED #	Description	Details
[1]	No/Low Battery Failure	The control panel performs a dynamic battery test under load every 60 seconds. This trouble indicates that the back up battery is disconnected or that the battery should be replaced, as it will not provide adequate current in case of AC loss. This trouble will also appear when the control panel is running on battery power and the battery voltage has dropped to 10.5 volts or lower. This means the battery must be recharged or replaced.
[2]	Wireless Transmitter Low Battery	The battery voltage of a wireless transmitter has dropped below recommended limits. If connected to a SPC-319, press [2] to view the zones that are generating this trouble. If connected to an Omnia (OMN-RCV3), the trouble will be displayed as a global trouble. To determine the zones generating the trouble, examine the <i>Low Battery LED</i> indicators on all the transmitters. The batteries should be replaced.
[3]	Power Failure	Upon power failure, the AC LED on all keypads will turn off. The control panel can transmit the report code programmed in section [205]. This report code can be delayed by programming a Power Failure Report Delay in section [086]. The AC LED turns back on as soon as power is restored.
[4]	Bell Disconnected	This trouble occurs when a bell or siren is not connected to the bell output terminals. If you are not using the BELL terminals, connect a 1K Ω resistor across the bell output.
[5]	Maximum Bell Current	The BELL output uses a fuseless circuit and will automatically shut down if the current exceeds 3A. After opening the short or reducing the load, the bell current is restored upon the following alarm generation. This trouble indicator will only appear when a condition has occurred that would activate the bell output (e.g. during an alarm).
[6]	Maximum Auxiliary Current	The auxiliary output uses a fuseless circuit to protect the power supply against current overload and automatically shuts down if the current exceeds 1.1A. After opening the short or reducing the load, the panel will restore power to the auxiliary output.
[7]	Communicator Report Fail	The control panel has failed all attempts to communicate with the central monitoring station.
[8]	Timer Loss	The control panel’s internal clock must be re-programmed. To re-program the timer press the [8] key followed by the current time using the 24-hour clock (i.e. 8:30PM = 20:30).
[9]	Tamper/Zone Wiring Fail	If the Tamper Recognition options are enabled (see page 30), this trouble indicates a wiring problem on one or more zones or that the cover has been removed on one or more wireless transmitters. To provide line short recognition the zone connections must have EOL resistors. If you press the [9] key, the keypad will display which zones are in trouble. Enter the Installer Code to clear Tamper troubles.

Table 10: Trouble List

LED #	Description	Details
[10]	Telephone Line Monitoring	If the Telephone Line Monitoring (TLM) feature is enabled (see section [135]), this trouble indicates that the control panel has not detected the presence of a telephone line for 30 seconds.
[STAY] or [11]	Fire Loop Trouble	Indicates a wiring problem on a Fire Zone. Press [STAY] to view the zones that are generating this trouble.
[FORCE] or [16]	Keypad Fault	If the keypad is no longer communicating with the control panel, the [TBL] or [TRBL] will flash, the [FORCE] key will illuminate (the LCD keypad displays "Keypad Fault") and the keypad will emit four consecutive beeps at 5-second intervals. Press any key on the keypad to terminate the "beeping" sequence. When communication has been restored, the system will revert to previous status.
[BYP] or [12]	Module Loss	A bus module is no longer communicating with the control panel. The module's supervision option must be enabled [129].
[MEM] or [13]	Wireless Transmitter Supervision Loss	One or more wireless transmitters are no longer communicating with the receiver. If you press the [MEM] key, the keypad will display which zones are in trouble.

12.2 PROGRAMMING ACCESS CODES

Access Codes are personal identification numbers that allow you to enter certain programming modes, arm or disarm your system as well as activate or deactivate PGMs. The *Spectra* security system supports the following:

System Master Code arms or disarm partitions using any arming method and can create, modify or delete any *User Access Code*. Only the System Master Code can modify or delete User Access Codes assigned to both partitions.

Master Code 1 is permanently assigned to partition 1 and can be used to create, modify or delete *User Access Codes* that are assigned to partition 1.

Master Code 2 is permanently assigned to partition 2 (except when partitioning is disabled, *Master Code 2* will be assigned to partition 1) and can be used to create, modify or delete *User Access Codes* that are assigned to the same partition.

45 User Access Codes (including 1 Duress code)

How Do I Program Access Codes?

- 1) Press [ENTER]
- 2) Key in the [SYSTEM MASTER CODE] or [MASTER CODE]
- 3) Key in 3-digit [SECTION] (see Table below)
- 4) Key in new 4- or 6-digit [ACCESS CODE]
[ENTER] flashes. Return to step 3

How Do I Delete Access Codes?

- 1) Repeat steps 1 to 3 (see above)
- 2) Press the [FORCE] key once for each digit in the access code (4 or 6 times) until the keypad emits a Confirmation Beep

Section	User Codes
[001]	User Code 001 = System Master Code
[002]	User Code 002 = Master Code 1
[003]	User Code 003 = Master Code 2
[004] to [047]	User Code 004 to User Code 047
[048]	User Code 048 or Duress Code

12.3 DISARMING & DEACTIVATING AN ALARM

To disarm an already armed system or to deactivate an alarm, simply key in a valid access code. Program a designated entry/exit point, such as the front door or the garage door with an *Entry Delay Timer*. When these entry/exit point are opened (breached), it will set off a timer. The system will not generate an alarm until this timer elapses, giving users enough time to enter the premises and disarm the system. Any user can disarm the system, except users have been assigned the *Arm Only Option*.

How Do I Disarm the System or Deactivate an Alarm?

- 1) Key in your [ACCESS CODE]*

The arm or alarm indication will turn off and the keypad will emit a Confirmation Beep.

***IF YOU HAVE ACCESS TO BOTH PARTITIONS:**

Press the key corresponding to the partition you wish to *Disarm* or to *Disarm* both partitions, press the [1] key then after the Confirmation Beep press the [2] key.

12.4 REGULAR ARMING

This method, commonly used for day-to-day arming, will arm all the zones in the selected partition. If you make a mistake, the keypad will emit a Rejection Beep. When you have correctly armed the system, the appropriate ARM indication will turn on and the Exit Delay will be initiated. Please note that Regular Arming can also be activated through Auto-Arming, Keyswitch Arming or One-Touch Arming.

How Do I Regular Arm?

- 1) Green READY indicator must be illuminated. Unless the system is partitioned, in which case all zones in the desired partition must be closed.
- 2) Key in a valid [ACCESS CODE]*

***IF YOU HAVE ACCESS TO BOTH PARTITIONS:**

Press the key corresponding to the partition you wish to arm. To arm both partitions, press the [1] key then after the Confirmation Beep press the [2] key.

12.5 STAY ARMING

This method allows users to remain in the protected area while partially arming the system. For example, when going to sleep at night, entry/exit points like doors and windows can be armed while other zones like motion detectors remain deactivated. Please note that *Fire Zones* cannot be bypassed.

How Do I Stay Arm?

- 1) All zones in the desired partition (except *Stay Zones*) must be closed.
- 2) Press the [STAY] key
- 3) Key in a valid [ACCESS CODE]*

***IF YOU HAVE ACCESS TO BOTH PARTITIONS:**

Press the key corresponding to the partition you wish to Stay Arm. To Stay Arm both partitions, press the [1] key then after the Confirmation Beep press the [2] key.

If you make a mistake, the keypad will emit a Rejection Beep. When you have correctly Stay Armed the system, the appropriate ARM or STAY indication appears and the Exit Delay is initiated. Stay Arming can also be activated using Auto-Arming, Keyswitch Arming or One-Touch Arming. The User Code must have the Stay Arming Option enabled.

12.6 INSTANT ARMING

After Stay Arming the system and **during its Exit Delay**, press and hold the [STAY] key for 3 seconds. You should hear a Confirmation Beep. This will switch all armed zones to *Instant zones*.

If you have access to both partitions:

To Instant Arm one partition, press [STAY] + [ACCESS CODE] + Select Partition + [CLEAR] + press & hold [STAY]

To Instant Arm both partitions, press [STAY] + [ACCESS CODE] + [1] + [2] + press & hold [STAY]

12.7 FORCE ARMING**

Force Arming allows users to rapidly arm the system, without having to wait for all zones in the system to be closed. Force Arming is commonly used when a motion detector is protecting the area occupied by a keypad. Therefore, when arming the system, if the motion detector is set as a *Force Zone*, the control panel will ignore the zone and allow users to arm the system even if the zone is open. Any open Force Zones at the time of arming will be considered deactivated by the control panel. If during this period a deactivated zone is closed, the control panel will revert that zone to active status, hence, will generate an alarm if breached.

How Do I Force Arm?

- 1) All zones in the desired partition (except *Force Zones*) must be closed.
- 2) Press the **[FORCE]** key
- 3) Key in a valid **[ACCESS CODE]***

*IF YOU HAVE ACCESS TO BOTH PARTITIONS:

Press the key corresponding to the partition you wish to Force Arm. To arm both partitions, press the **[1]** key then after the Confirmation Beep press the **[2]** key.

If you make a mistake, the keypad will emit a Rejection Beep. When correctly Force Armed, the appropriate arm indication appears and the Exit Delay will initiate. Please note that Force Arming can also be activated using One-Touch Force Arming. Also, note that the User Access Code must have the Force Arming Option enabled.

12.8 MANUAL BYPASS PROGRAMMING

Manual Bypass Programming allows users to program the alarm system to ignore (deactivate) specified zones the next time the system is armed. The *Access Code* must have the *Bypass Programming Option* enabled. Please note that Fire Zones cannot be bypassed. Manual Bypass Programming can also be activated using One-Touch Bypass Programming.

How do I Program Bypass Entries?

- 1) Press the **[BYP]** key.
- 2) Key in a valid **[ACCESS CODE]***
- 3) Select one or more **[ZONES]** you wish to bypass
- 4) Once you have entered the desired bypass entries, press the **[ENTER]** key to accept these entries.

*IF YOU HAVE ACCESS TO BOTH PARTITIONS:

Press the key corresponding to the desired partition.

12.8.1 BYPASS RECALL FEATURE

After disarming the system, the control panel will erase the bypass entries. By using the *Bypass Recall Feature*, you can reinstate the previous bypass entries saved in memory. This eliminates the need to manually program the bypass entries every time you arm the system. The Access Code must have the *Bypass Programming Option* enabled.

How Do I Recall Bypass Entries?

- 1) Press the **[BYP]** key.
- 2) Key in your **[ACCESS CODE]***
- 3) Press the **[BYP]** key. *Previously bypassed zones will illuminate.*
- 4) Press the **[ENTER]** key.

*IF YOU HAVE ACCESS TO BOTH PARTITIONS:

Press the key corresponding to the desired partition.

** Not to be used with UL installations

12.9 ONE-TOUCH ARMING

One-Touch Arming allows users to arm the system without using an access code. Simply press and hold a key. One-Touch Arming can be used to allow specific individuals like service personnel (i.e. cleaners, maintenance) to arm the system when leaving the protected area, without giving them access to any other alarm system operations.

One-Touch Regular Arming

Press and hold the **[ENTER]** key for 3 seconds* to arm all zones in the partition.

One-Touch Force Arming

Press and hold the **[FORCE]** key for 3 seconds* to bypass any open Force Zones.

One-Touch Bypass Programming

Press and hold the **[BYP]** key for 3 seconds* to access Bypass Programming Mode.

One-Touch Stay Arming

Press and hold the **[STAY]** key for 3 seconds* to arm all zones not defined as Stay Zones.

Fast Exit - When the system is already Stay Armed:

- *To Exit and Stay Arm:* Press and hold the **[STAY]** key for 3 seconds*. The system will switch to Exit Delay. At the end of the Exit Delay period, the system will return to Stay Arming.
- *To Exit and Regular Arm:* Press and hold the **[ENTER]** key for 3 seconds*. The system will switch to Exit Delay. At the end of the Exit Delay period, the control panel will switch to Regular Arming.
- *To Exit and Force Arm:* Press and hold the **[FORCE]** key for 3 seconds*. The system will switch to Exit Delay. At the end of the Exit Delay period, the control panel will switch to Force Arming.

* If you have access to both partitions after activating a one-touch feature, press the key corresponding to the desired partition. To select both partitions, press the **[1]** key then after the confirmation beep press the **[2]** key.

12.10 KEYSWITCH ARMING

A keyswitch can be used to arm and disarm the system. Assign the keyswitch to a specific partition and program the keyswitch to Stay or Regular Arm the assigned partition. Also program the keyswitch to function as a Maintained or Momentary keyswitch. To arm the system using a Maintained Keyswitch, set the keyswitch to the ON position. To disarm the system set the keyswitch to the OFF position. To arm the system using a Momentary Keyswitch, set the keyswitch to the ON position then turn it back to the OFF position. Repeating this sequence will disarm the system.

12.11 PANIC ALARMS

In case of emergency, the *Spectra* system provides up to three panic alarms. These panic alarms, if programmed, will immediately generate an alarm after pressing and holding two specific keys for two seconds, as described below.

Press and hold keys **[1]** and **[3]** for a panic alarm.

Press and hold keys **[4]** and **[6]** for a panic or medical alarm.

Press and hold keys **[7]** and **[9]** for a panic or fire alarm.

12.12 AUTO-ARMING*

Each partition can be programmed to arm every day at the time specified by the *Auto-Arm Timer* or for the period specified by the No Movement Timer. The user can program the Auto-Arm Timer by using the System Master Code, Master Code 1 or Master Code 2. *Please note that the control panel will enter a 60-second Exit Delay period before arming the system. At this point, Auto-Arming can be cancelled by entering a valid access code.*

12.13 ALARM MEMORY DISPLAY

A record of all alarm situations that occur will be stored in memory. After disarming the system, pressing the **[MEM]** key will display which zones were in alarm during the alarm period. To exit the Alarm Memory Display, press the **[CLEAR]** key. The control panel will erase the contents of the alarm memory every time the system is armed.

* *Not to be used with UL installations*

12.14 PROGRAMMING CHIME ZONES

Users can program which zones will be *Chime Enabled*. A Chime Enabled zone will cause the keypad to emit a rapid intermittent beep tone (BEEP-BEEP-BEEP-BEEP) advising the user every time it is opened. Each keypad must be Chime Programmed separately.

10-ZONE LED KEYPAD:

Press and hold any key from [1] to [10] for 3 seconds to activate or deactivate *Chiming* for zones 1 to 10. For example, press and hold the [1] key to enable chiming on zone 1. If after pressing and holding a key, the keypad emits a confirmation beep, this means the chime feature has been enabled for that zone. If the keypad emits a rejection beep, this means the chime feature has been disabled for the corresponding zone.

16-ZONE LED KEYPAD:

Press and hold the [9] key. Enter the 2-digit (01 to 16) zone number(s). When the corresponding LED is on, the zone is chimed. When the corresponding LED is off, the zone is unchimed. When the desired zones are chimed, press [ENTER].

LCD KEYPAD:

Press and hold the [9] key. Enter the 2-digit (01 to 16) zone number(s), or use the arrow keys to scroll through the zones. and when the appropriate zone is displayed, press the [FNC1] key. When the desired zones are chimed, press [ENTER].

12.15 KEYPAD MUTING*

Press and hold the [CLEAR] key for 3 seconds to enable or disable keypad muting. When muted, the keypad will only beep when a key is pressed or when the keypad emits a Rejection or Confirmation Beep. All other beep functions are disabled.

12.16 KEYPAD BACKLIGHT (1686H and 1686V Only)

The illumination level behind the keys can be modified to suit the user's needs. There are four backlight levels. The [MEM] key is used to set the desired level. Each consecutive push of the [MEM] key will increase the backlight level until the maximum level is reached. After reaching the maximum level, the backlight level will return to the lowest level and the whole process is repeated. To change the backlight level:

How do I Modify The Backlight?

- 1) Press and hold the [MEM] key for 3 seconds
- 2) The [MEM] key will illuminate
- 3) Press the [MEM] key to set the desired backlight level
- 4) Press [CLEAR] or [ENTER] to exit

* Not to be used with UL installations

FCC WARNINGS

IMPORTANT INFORMATION

This equipment complies with Part 68 of the FCC rules subpart D and CS-03. Inside the cover of this equipment is a label that contains, among other information, the FCC registration number of this equipment.

NOTIFICATION TO TELEPHONE COMPANY

Upon request, customer shall notify telephone company of particular line to which the connection will be made, and provide the FCC registration number and the ringer equivalence of the protective circuit.

FCC REGISTRATION NUMBER:5A7CAN-22633 - AL - E
RINGER EQUIVALENCE NUMBER:0.1B (U.S. & CANADA)
USOC JACK: RJ31X (USA), CA31A (CANADA)

TELEPHONE CONNECTION REQUIREMENTS

Except for telephone company provided ringers, all connections to the telephone network shall be made through standard plugs and telephone company provided jacks, or equivalent, in such a manner as to allow for easy, immediate disconnection of terminal equipment. Standard jacks shall be so arranged that, if plug connected thereto is withdrawn, no interference to operation of equipment at customer's premises which remains connected to telephone network shall occur by reason of such withdrawal.

INCIDENCE OF HARM

Should terminal equipment/protective circuitry cause harm to telephone network, telephone company shall, where practicable, notify customer that temporary disconnection of service may be required; however, where prior notice is not practicable, the telephone company may temporarily discontinue service if action is deemed reasonable in circumstances. In case of temporary discontinuance, telephone company shall promptly notify customer and will be given opportunity to correct the situation.

CHANGES IN TELEPHONE COMPANY EQUIPMENT OR FACILITIES

The telephone company may make changes in its communication facilities, equipment operations or procedures, where such actions are reasonably required and proper in its business. Should any such changes render customer's terminal equipment incompatible with the telephone company facilities, the customer shall be given adequate notice to effect the modifications to maintain uninterrupted service.

GENERAL

This equipment shall not be used on coin telephone lines. Connection to party line service is subject to state tariffs.

RINGER EQUIVALENCE NUMBER (REN)

The ren is useful to determine the quantity of devices that you may connect to your telephone line and still have all of those devices ring when your telephone number is called. In most, but not all areas, sum of the ren's of all devices connected to one line should not exceed five (5.0). To be certain of the number of devices that you may connect to your line, you may want to contact your local telephone company.

EQUIPMENT MAINTENANCE FACILITY

If you experience trouble with this telephone equipment, please contact facility indicated below for information on obtaining service or repairs. The telephone company may ask that you disconnect this equipment from network until problem is corrected or until you are sure that the equipment is not malfunctioning.

FCC PART 15, WARNINGS INFORMATION TO USER

This equipment has been tested and found to comply with the limits for Class B digital devices, pursuant to Part 15 of FCC rules. These limits are designed to provide reasonable protection against harmful interference in a

residential installation. This equipment generates, uses and can radiate radio frequency energy, and, if not installed and used in accordance with the instructions, may cause harmful interference to radio communications. However, there is no guarantee that interference will not occur in a particular installation. If this equipment does cause harmful interference to equipment intermittently, the user is encouraged to try to correct the interference by one or more of the following measures: (1) re orient or relocate the receiving antenna; (2) increase the separation between the equipment and receiver; (3) connect the equipment to an outlet on a circuit other than the one to which the receiver is connected, or (4) consult the dealer or an experienced radio/tv technician for assistance.

CAUTION:

Changes or modifications not expressly approved by PARADOX SECURITY SYSTEMS could void the user's authority to operate the equipment.

WARRANTY

The Seller warrants its products to be free from defects in materials and workmanship under normal use for a period of one year (except as indicated otherwise). Except as specifically stated herein, all express or implied warranties whatsoever, statutory or otherwise, including without limitation, any implied warranty of merchantability and fitness for a particular purpose, are expressly excluded. Because Seller does not install or connect the products and because the products may be used in conjunction with products not manufactured by Seller. Seller cannot guarantee the performance of the security system. Seller obligation and liability under this warranty is expressly limited to repairing or replacing, at Seller's option, any product not meeting the specifications. In no event shall the Seller be liable to the buyer or any other person for any loss or damages whether direct or indirect or consequential or incidental, including without limitation, any damages for lost profits stolen goods, or claims by any other party, caused by defective goods or otherwise arising from the improper, incorrect or otherwise faulty installation or use of the merchandise sold.

ATTACHMENT LIMITATION NOTICE

The Industry Canada label identifies certified equipment. This certification means that the equipment meets certain telecommunications network protective, operational and safety requirements. The Department does not guarantee the equipment will operate to the user's satisfaction.

Before installing this equipment, users should ensure that it is permissible to be connected to the facilities of the local telecommunications company. The equipment must also be installed using an acceptable method of connection. The customer should be aware that compliance with the above conditions may not prevent degradation of service in some situations.

Repairs to certified equipment should be made by an authorized Canadian maintenance facility designated by the supplier. Any repairs or alterations made by the user to this equipment, or equipment malfunctions, may give the telecommunications company cause to request the user to disconnect the equipment.

Users should ensure for their own protection that the electrical ground connections of the power utility, telephone lines and internal metallic water pipe system, if present, are connected together. This precaution may be particularly important in rural areas.

CAUTION: Users should not attempt to make such connections themselves, but should contact the appropriate electrical inspection authority, or electrician, as appropriate.

The Load Number (LN) assigned to each terminal device denotes the percentage of the total load to be connected to a telephone loop which is

used by the device, to prevent overloading. The termination on a loop may consist of any combination of devices subject only to the requirement that the total of the Load Numbers of all of the devices does not exceed 100.

Industry Canada certification is only applicable to installation of devices which include transformers approved by the Canadian Standards Association (CSA).

RESTRICTIONS CONCERNANT LE RACCORDEMENT DE MATÉRIEL

L'étiquette d'Industrie Canada identifie le matériel homologué. Cette étiquette certifie que le matériel est conforme à certaines normes de protection, d'exploitation et de sécurité des réseaux de télécommunications. Le Ministère garantit toutefois pas que le matériel fonctionnera à la satisfaction de l'utilisateur.

Avant d'installer ce matériel, l'utilisateur doit s'assurer qu'il est permis de le raccorder aux installations de l'entreprise locale de télécommunication. De plus, le matériel doit être installé en suivant une méthode acceptable de raccordement. L'abonné ne doit pas oublier qu'il est possible que la conformité aux conditions énoncées ci-dessus n'empêchent pas la dégradation du service dans certaines situations.

Les réparations de matériel homologué doivent être effectuées par un centre de service d'entretien canadien autorisé désigné par le fournisseur. La compagnie de télécommunications peut demander à l'utilisateur de débrancher un appareil à la suite de réparations ou de modifications effectuées par l'utilisateur ou à cause d'un mauvais fonctionnement.

Pour sa propre protection, l'utilisateur doit s'assurer que tous les fils de mise à la terre de la source d'énergie électrique, des lignes téléphoniques et des canalisations d'eau métalliques, s'il y en a, sont raccordés ensemble. Cette précaution est particulièrement importante dans les régions rurales.

AVERTISSEMENT: L'utilisateur ne doit pas tenter de faire ces raccordements lui-même; il doit avoir recours à un service d'inspection des installations électriques, ou à un électricien, selon le cas.

L'indice de charge (IC) assigné à chaque dispositif indique, pour éviter toute surcharge, le pourcentage de la charge totale qui peut être raccordée à un circuit téléphonique bouclé utilisé par ce dispositif. La terminaison du circuit bouclé peut être constituée de n'importe quelle combinaison de dispositifs, pourvu que la somme des indices de charge de l'ensemble des dispositifs ne dépasse pas 100.

La certification d'Industrie Canada s'applique seulement aux installations d'appareils utilisant un transformateur approuvé par l'Association Canadienne de Normalisation (CSA).

UL AND ULC WARNINGS

UL AND C-UL INSTALLATION NOTES

This equipment is UL listed in accordance with standard UL1023 (Household Burglar -- Alarm Systems Units), standard UL985 (Household Fire Warning Units) and standard UL1635 (Digital Alarm Communicator System Units). This equipment has the capability of being programmed with features not verified for use in UL installations. To stay within these standards, the installer should use the following guidelines when configuring the system:

- All components of the system should be UL listed for the intended application.
- If the system will be used for "Fire" detection, the installer should refer to NFPA Standards #72, Chapter 2. In addition, once installation is complete, the local fire authority must be notified of the installation.
- This equipment must be verified by a qualified technician once every three years.
- All keypads must use a tamper switch.
- Maximum allowed entry delay is 45 seconds.
- Maximum allowed exit delay is 60 seconds.
- Minimum 4 minutes for bell cut-off time.
- The following features do not comply with UL requirements: Bypass Recall and Auto Trouble Shutdown.
- Do not connect the primary indicating device to a relay. The installer must use the bell output.
- To comply with UL985, the auxiliary power output should not exceed 200mA. Please refer to Table 2: Current Consumption Table on page 9.

RECOMMENDED:

- EOL resistor part #2011002000
- **For 1728/EX, 1738/EX UL Installations:** Basler Electric BE156240CAA007 16.5VAC min. **40VA**
- 12vdc 4Ah rechargeable acid/lead or gel cell backup battery (YUASA model #NP7-12 recommended) for residential use. Use a 7Ah battery to comply with fire requirements.
- Wheelock 46T-12 siren

All outputs are Class 2 or power-limited, except for the battery terminal. The Class 2 and power-limited fire alarm circuits shall be installed using CL3, CL3R, CL3P, or substitute cable permitted by the National Electrical Code, ANSI/NFPA 70.

For technical support in the US and Canada, call 1-800-791-1919, Monday to Friday, 8 a.m. to 8 p.m. EST.

Technical support can also be reached by fax at (450) 491-2313, or via e-mail at support@paradox.ca.

INDEX

Numerics

24Hr. Buzzer Zone 22
24Hr. Delayed Fire Zone 23
24Hr. Standard Fire Zone 23

A

AC Power 9
Access Code Length 17
Access Code Programming 51
Access Codes 16
Account Numbers 36
Ademco Contact ID 37
Ademco Contact ID Options 37
Ademco Express 37
Adjust Clock 44
Alarm Memory Display 54
Alarm Options 30
Alarm Relay 10
Alarm Relay Options 42
Alarm Report Code Transmission, Delay 25
Alarm Types 24
Alternate Dial Option 39
Answer Upload/Download Software 45
Answer WinLoad Software 49
Answering Machine Override 48
Arm Only 18
Arming and Disarming Options 27
Arming Report Codes 33
ATZ- Zone Doubling 25
Auto Event Buffer Transmission 49
Auto Force Arming 27
Auto Test Report 39
Auto-Arming On No Movement 28
Auto-Arming On Time 28
Auto-Arming Options 28
Auxiliary Power 9

B

Backlight, Keypad 55
Battery Charge Current 43
Battery, Backup 9
Beep On Exit Delay 29
Beep On Trouble 44
Bell Cut-Off Timer 30
Bell on Communication Failure 38
Bell Output Connection 10
Bell Squawk On Arm/Disarm With Keypad 29
Bell Squawk On Arm/disarm with Remote Control 29
Burglary Zones, 24 Hr. 22
Buzzer Zone 22
Bypass Options, Supervision 47
Bypass Programming 53
Bypass Recall Feature 53
Bypass Zones 24

C

Call Back Feature 49
Call Upload/Download Software 45
Call WinLoad Software 49
Cancel Communication 45
Central Station Telephone Numbers 36
Charge Current 43
Chime Zones 55
Clock Adjust 44
Configuring The LED Keypads 14

Connecting

Bells or Sirens 10
Double Zone Inputs 11
Fire Zones 13
Keypad Zones 12
Keypads 12
Keystitches 13
PGMs 10
Single Zone Inputs 11
Telephone Lines 10
Contact ID Options 37
Current Consumption Table 9

D

Data Display Mode 14
Delay Before Alarm Report Code Transmission 25
Delay Between Dialing Attempts 39
Delay Power Failure Report 39
Delay, Pager Report 37
Delayed Fire Zone 23
Dial Tone Delay 38
Dialer settings 32
Dialing Attempts 39
Dialing Method 38
Disarm Reporting Options 40
Disarming 52
Double Zone Inputs 11
Duress Code 18

E

Entry Delay 21
EOL Zones 25
Event Buffer Transmission 49
Event Call Direction 38
Exit Delay 29
Expansion Input 19
Expansion Inputs Reassigned 20

F

Feature Select Programming Method 14
Fire Circuits 13
Fire Zone, Delayed 23
Fire Zone, Standard 24 Hr. 23
Follow Zones 22
Force Arming 53
Force Zones 25

G

Global PGM 41
Ground 8

H

Hardware Reset 43

I

Input Speed 25
Installation 7
Installer Code 17
Installer Lock 43
Installer Quick Functions Keys 45
Installer Test Mode 45
Instant Arming 52
Intellizone 24

K

- Key. See Memory Card
- Keypad Audible Trouble Warning 44
- Keypad Backlight 55
- Keypad Installation 12
- Keypad Muting 55
- Keypad Panic Options 31
- Keypad Tamper Supervision 44
- Keypad Zone Connection 12
- Keyswitch Arming 54
- Keyswitch Connections 13
- Keyswitch Options 25
- Keyswitch Zone 22

L

- Length of Access Codes 17
- Location and Mounting 7
- Lock Master Code 18
- Lock-out 43

M

- Manual Bypass Programming 53
- Maximum Dialing Attempts 39
- Memory Card 16
- Memory Display 54
- Modify Zone Numbering 20
- Mounting 7
- Multiple Feature Select Programming Method 14
- Muting 55

N

- No Arming On Battery Fail 27
- No Arming on Supervision Loss 47
- No Arming On Tamper Trouble 27
- No Audible Feedback Upon Stay Arming 29
- No Exit Delay When Arming with Remote Control 29
- No Movement Auto-Arming 28
- Number of Rings 48

O

- One-Touch Arming 29, 54
- Options
 - Alarm 30
 - Arming and Disarming 27
 - Auto-Arming 28
 - Keyswitch 25
 - User code 17
 - Zone 23
- Override Answering Machine 48

P

- Pager Delay 37
- Pager Reporting Format 37
- Panel Answer Options 48
- Panel Identifier 48
- Panic Alarms 54
- Panic Options 31
- Partition Account Numbers 36
- Partition Assignment, Zone 23
- Partitioning 43
- PC Password 48
- PC Telephone Number 48
- PGM (Control Panel)
 - Activation Event 41
 - Deactivation Event 41
 - PGM Delay 42
 - Strobe Options 42
- PGM Activation, User Code Option 18

- Power 9
- Power Failure Report Delay 39
- Programmable Output Connections 10
- Programmable Outputs 41
- Programming Access Codes 51
- Programming Chime Zones 55
- Programming Methods 13
- Programming Using a Keypad 13
- Pulse Ratio 38

Q

- Quick Arming 29
- Quick Functions Keys (Installer) 45

R

- Real-Time Clock 44
- Reassign Keypad Zone 2 19
- Reassign Zones to Expansion Inputs 20
- Recall Bypass 53
- Recent Close Delay 39
- Recycle Alarm 30
- Regular Arming 52
- Regular Arming Switches to Force Arming 27
- Report Codes 33
- Reporting and Dialer settings 32
- Reporting Formats 36
- Re-Program All Expansion Modules 47
- Reset, Hardware 43
- Restrict Arming On Battery Fail 27
- Restrict Arming on Supervision Loss 47
- Restrict Arming On Tamper Trouble 27
- Rings 48

S

- Single Zone Inputs 11
- Software, Upload/download 13
- Special Alarm Report Codes 34
- Special Arming Report Codes 33
- Special Disarming Report Codes 34
- Special Reporting Codes 35
- Standard 24Hr. Fire Zone 23
- Stay Arming 52
- Stay Delay 27
- Stay Zones 24
- Strobe Options 42
- Supervision Bypass Options 47
- Supervision Options, Wireless Transmitter 46
- Switch to Stay Arming 27
- System Master Code 17
- System Real-Time Clock 44
- System Settings 43
- System Trouble Report Codes 35
- System Trouble Restore Codes 35

T

- Tamper Bypass Options 30
- Tamper Recognition 30
- Telephone Line Connection 10
- Telephone Line Monitoring (TLM) 40
- Telephone Number, PC 48
- Telephone Numbers 36
- Test Report, Automatic 39
- Test Report, Manual 45
- Timed Auto-Arming 28
- Trouble Display 50

U

- Upload/Download Software 13

User Code Options 17

User Operation 50

W

Winload Software 13

Wireless Bus Module Supervision 46

Wireless Transmitter Low Battery Supervision 46

Wireless Transmitter Supervision Options 46

Z

Zone Alarm Report Codes 34

Zone Alarm Restore Report Codes 34

Zone Doubling 25

Zone Options 23

Zone Partition Assignment 23

Zone Programming 19

Zone Restore Report Options 40

Zone Speed 25

Zone Tamper Report Codes 34

Zone Tamper Restore Report Codes 34

P ▲ R ▲ D O X[®]
S E C U R I T Y S Y S T E M S

780 boul. Industriel, St. Eustache, Montréal, Québec J7R 5V3

Fax: (450) 491-2313

www.paradox.ca

PRINTED IN CANADA 10/2002

17X8EI-05