

User's Manual**IE-780338-NS-EM1****Emulation Board**

Target Devices **μ PD780318 Subseries** **μ PD780328 Subseries** **μ PD780338 Subseries**

[MEMO]

Windows is either a registered trademark or a trademark of Microsoft Corporation in the United States and/or other countries.

PC/AT is a trademark of International Business Machines Corporation.

- **The information in this document is current as of May, 2002. The information is subject to change without notice. For actual design-in, refer to the latest publications of NEC's data sheets or data books, etc., for the most up-to-date specifications of NEC semiconductor products. Not all products and/or types are available in every country. Please check with an NEC sales representative for availability and additional information.**

- No part of this document may be copied or reproduced in any form or by any means without prior written consent of NEC. NEC assumes no responsibility for any errors that may appear in this document.

- NEC does not assume any liability for infringement of patents, copyrights or other intellectual property rights of third parties by or arising from the use of NEC semiconductor products listed in this document or any other liability arising from the use of such products. No license, express, implied or otherwise, is granted under any patents, copyrights or other intellectual property rights of NEC or others.

- Descriptions of circuits, software and other related information in this document are provided for illustrative purposes in semiconductor product operation and application examples. The incorporation of these circuits, software and information in the design of customer's equipment shall be done under the full responsibility of customer. NEC assumes no responsibility for any losses incurred by customers or third parties arising from the use of these circuits, software and information.

- While NEC endeavours to enhance the quality, reliability and safety of NEC semiconductor products, customers agree and acknowledge that the possibility of defects thereof cannot be eliminated entirely. To minimize risks of damage to property or injury (including death) to persons arising from defects in NEC semiconductor products, customers must incorporate sufficient safety measures in their design, such as redundancy, fire-containment, and anti-failure features.

- NEC semiconductor products are classified into the following three quality grades: "Standard", "Special" and "Specific". The "Specific" quality grade applies only to semiconductor products developed based on a customer-designated "quality assurance program" for a specific application. The recommended applications of a semiconductor product depend on its quality grade, as indicated below. Customers must check the quality grade of each semiconductor product before using it in a particular application.

"Standard": Computers, office equipment, communications equipment, test and measurement equipment, audio and visual equipment, home electronic appliances, machine tools, personal electronic equipment and industrial robots

"Special": Transportation equipment (automobiles, trains, ships, etc.), traffic control systems, anti-disaster systems, anti-crime systems, safety equipment and medical equipment (not specifically designed for life support)

"Specific": Aircraft, aerospace equipment, submersible repeaters, nuclear reactor control systems, life support systems and medical equipment for life support, etc.

The quality grade of NEC semiconductor products is "Standard" unless otherwise expressly specified in NEC's data sheets or data books, etc. If customers wish to use NEC semiconductor products in applications not intended by NEC, they must contact an NEC sales representative in advance to determine NEC's willingness to support a given application.

(Note)

(1) "NEC" as used in this statement means NEC Corporation and also includes its majority-owned subsidiaries.

(2) "NEC semiconductor products" means any semiconductor product developed or manufactured by or for NEC (as defined above).

M8E 00.4

Regional Information

Some information contained in this document may vary from country to country. Before using any NEC product in your application, please contact the NEC office in your country to obtain a list of authorized representatives and distributors. They will verify:

- Device availability
- Ordering information
- Product release schedule
- Availability of related technical literature
- Development environment specifications (for example, specifications for third-party tools and components, host computers, power plugs, AC supply voltages, and so forth)
- Network requirements

In addition, trademarks, registered trademarks, export restrictions, and other legal issues may also vary from country to country.

NEC Electronics Inc. (U.S.)

Santa Clara, California
Tel: 408-588-6000
800-366-9782
Fax: 408-588-6130
800-729-9288

NEC do Brasil S.A.

Electron Devices Division
Guarulhos-SP, Brasil
Tel: 11-6462-6810
Fax: 11-6462-6829

NEC Electronics (Europe) GmbH

Duesseldorf, Germany
Tel: 0211-65 03 01
Fax: 0211-65 03 327

• Sucursal en España

Madrid, Spain
Tel: 091-504 27 87
Fax: 091-504 28 60

• Succursale Française

Vélizy-Villacoublay, France
Tel: 01-30-67 58 00
Fax: 01-30-67 58 99

• Filiale Italiana

Milano, Italy
Tel: 02-66 75 41
Fax: 02-66 75 42 99

• Branch The Netherlands

Eindhoven, The Netherlands
Tel: 040-244 58 45
Fax: 040-244 45 80

• Branch Sweden

Taeby, Sweden
Tel: 08-63 80 820
Fax: 08-63 80 388

• United Kingdom Branch

Milton Keynes, UK
Tel: 01908-691-133
Fax: 01908-670-290

NEC Electronics Hong Kong Ltd.

Hong Kong
Tel: 2886-9318
Fax: 2886-9022/9044

NEC Electronics Hong Kong Ltd.

Seoul Branch
Seoul, Korea
Tel: 02-528-0303
Fax: 02-528-4411

NEC Electronics Shanghai, Ltd.

Shanghai, P.R. China
Tel: 021-6841-1138
Fax: 021-6841-1137

NEC Electronics Taiwan Ltd.

Taipei, Taiwan
Tel: 02-2719-2377
Fax: 02-2719-5951

NEC Electronics Singapore Pte. Ltd.

Novena Square, Singapore
Tel: 253-8311
Fax: 250-3583

INTRODUCTION

Product Overview

The IE-780338-NS-EM1 is designed to be used with the IE-78K0-NS or IE-78K0-NS-A to debug the following target devices that belong to the 78K/0 Series of 8-bit single-chip microcontrollers.

- μ PD780318 Subseries: μ PD780316, 780318
- μ PD780328 Subseries: μ PD780326, 780328
- μ PD780338 Subseries: μ PD780336, 780338, 78F0338

Target Readers

This manual is intended for engineers who will use the IE-780338-NS-EM1 with the IE-78K0-NS or IE-78K0-NS-A to perform system debugging. Engineers who use this manual are expected to be thoroughly familiar with the target device's functions and usage methods and to be knowledgeable about debugging.

Organization

When using the IE-780338-NS-EM1, refer to not only this manual (supplied with the IE-780338-NS-EM1) but also the manual that is supplied with the IE-78K0-NS or IE-78K0-NS-A.

The IE-78K0-NS used in combination with the IE-78K0-NS-PA is functionally equivalent to the IE-78K0-NS-A. Therefore, as necessary, read IE-78K0-NS + IE-78K0-NS-PA for IE-78K0-NS-A in this document.

IE-78K0-NS or IE-78K0-NS-A User's Manual

- Basic specifications
- System configuration
- External interface functions

IE-780338-NS-EM1 User's Manual

- General
- Part names
- Installation
- Differences between target devices and target interface circuits
- Restrictions and cautions on use

Purpose

This manual is intended to give users an understanding of the various debugging functions that can be performed when using the IE-780338-NS-EM1.

Terminology

The meanings of certain terms used in this manual are listed below.

Term	Meaning
Emulation device	This is a general term that refers to the device in the emulator that is used to emulate the target device. It includes the emulation CPU.
Emulation CPU	This is the CPU block in the emulator that is used to execute user-generated programs.
Target device	This is the device that is the target for emulation.
Target system	This includes the target program and the hardware provided by the user. When defined narrowly, it includes only the hardware.
IE system	This refers to the combination of the IE-78K0-NS or IE-78K0-NS-A and the IE-780338-NS-EM1.

Conventions

Data significance: Higher digits on the left and lower digits on the right

Note: Footnote for item marked with **Note** in the text

Caution: Information requiring particular attention

Remark: Supplementary information

Related Documents

The related documents (user's manuals) indicated in this publication may include preliminary versions. However, preliminary versions are not marked as such.

Document Name	Document No.
IE-78K0-NS In-Circuit Emulator	U13731E
IE-78K0-NS-A In-Circuit Emulator	U14889E
IE-780338-NS-EM1 Emulation Board	This manual
ID78K Series Integrated Debugger Ver. 2.30 or Later Operation Windows™ Based	U15185E
μPD780318, 780328, 780338 Subseries	U14701E

Caution The documents listed above are subject to change without notice. Be sure to use the latest documents when designing.

CONTENTS

CHAPTER 1 GENERAL	10
1.1 System Configuration.....	11
1.2 Hardware Configuration.....	13
1.3 Basic Specifications.....	14
CHAPTER 2 PART NAMES	15
2.1 Parts of Main Unit	16
CHAPTER 3 INSTALLATION	17
3.1 Connection	18
3.2 Clock Settings.....	20
3.2.1 Overview of clock settings	20
3.2.2 Main system clock settings	23
3.2.3 Subsystem clock settings	28
3.3 Mask Option Setting	33
3.3.1 LCD booster.....	33
3.4 External Trigger	34
3.5 Jumper Settings on IE-78K0-NS.....	35
3.6 Jumper Settings on IE-78K0-NS-A	35
3.7 Low-Voltage Emulation Settings	36
CHAPTER 4 DIFFERENCES BETWEEN TARGET DEVICES AND TARGET INTERFACE CIRCUITS	37
CHAPTER 5 RESTRICTIONS AND CAUTIONS ON USE	40
APPENDIX A EMULATION PROBE PIN ASSIGNMENT TABLE	41
APPENDIX B CAUTIONS ON DESIGNING TARGET SYSTEM	43

LIST OF FIGURES

Figure No.	Title	Page
1-1	System Configuration	11
1-2	Basic Hardware Configuration (Using IE-78K0-NS)	13
1-3	Basic Hardware Configuration (Using IE-78K0-NS-A).....	13
2-1	IE-780338-NS-EM1 Part Names.....	16
3-1	Connection Between FG Cable and Emulation Probe.....	18
3-2	Emulation Probe Connection	19
3-3	Connection Between FG Cable and In-Circuit Emulator.....	19
3-4	External Circuits Used as System Clock Oscillator	20
3-5	When Using Clock That Is Already Mounted on Emulation Board (Main System Clock)	21
3-6	When Using Clock That Is Already Mounted on Emulation Board (Subsystem Clock)	21
3-7	When Using User-Mounted Clock (Main System Clock)	22
3-8	When Using User-Mounted Clock (Subsystem Clock)	22
3-9	When Using an External Clock	23
3-10	Connections on Parts Board (When Using Main System Clock or User-Mounted Clock)	24
3-11	Crystal Oscillator (When Using Main System Clock or User-Mounted Clock)	26
3-12	Pin Alignment of Crystal Oscillator and Socket	26
3-13	Connections on Parts Board (When Using Subsystem Clock or User-Mounted Clock)	29
3-14	Crystal Oscillator (When Using Subsystem Clock or User-Mounted Clock)	31
3-15	Pin Alignment of Crystal Oscillator and Socket	31
3-16	LCD MOPT Socket (IC2)	33
3-17	External Trigger Input Position	34
3-18	Main Board of IE-78K0-NS or IE-78K0-NS-A (G-780009 Board).....	36
4-1	Equivalent Circuit of Emulation Circuit 1.....	38
4-2	Equivalent Circuit of Emulation Circuit 2.....	38
4-3	Equivalent Circuit of Emulation Circuit 3.....	39
B-1	Distance Between In-Circuit Emulator and Conversion Socket.....	43
B-2	Connection Conditions of Target System	44

LIST OF TABLES

Table No.	Title	Page
1-1	Correspondence Between Emulation Probe and Conversion Connectors	12
1-2	Basic Specifications	14
3-1	Main System Clock Settings.....	23
3-2	Subsystem Clock Settings.....	28
3-3	Jumper Settings on IE-78K0-NS	35
3-4	Jumper Settings on IE-78K0-NS-A G-780009 Board	35
3-5	Jumper Settings on IE-78K0-NS-A G-78K0H Option Board.....	35
3-6	Supply Voltage and Maximum Current Consumption at Low-Voltage Emulation.....	36
A-1	SWEX-120SE-1 Pin Assignments	41

CHAPTER 1 GENERAL

The IE-780338-NS-EM1 is a development tool for efficient debugging of hardware or software when using one of the following target devices that belong to the 78K/0 Series of 8-bit single-chip microcontrollers.

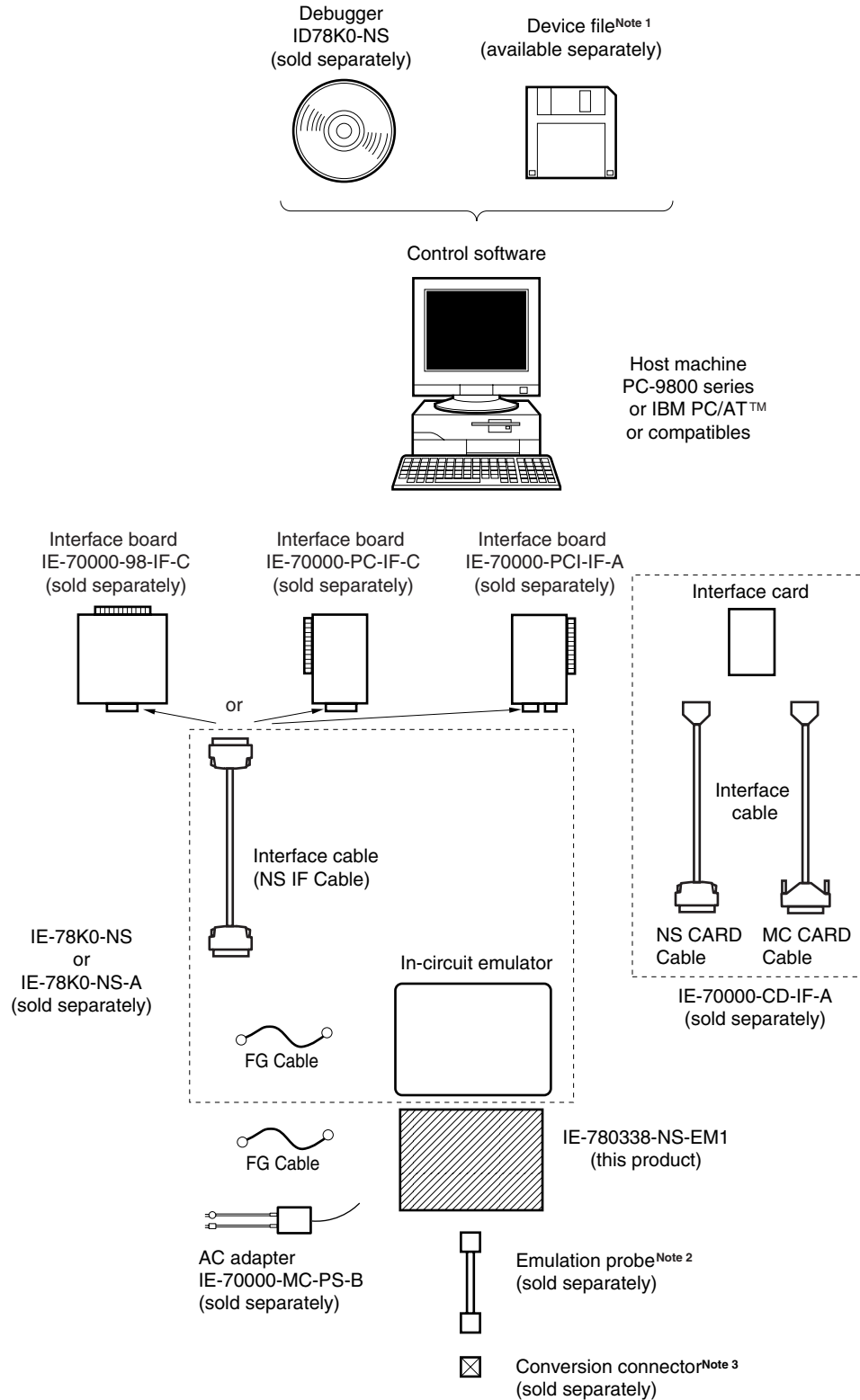
This chapter describes the IE-780338-NS-EM1's system configuration and basic specifications.

- Target devices
 - μ PD780318 Subseries
 - μ PD780328 Subseries
 - μ PD780338 Subseries

1.1 System Configuration

Figure 1-1 illustrates the IE-780338-NS-EM1's system configuration.

Figure 1-1. System Configuration



Notes 1. The device file is as follows.

μ SxxxxDF780338: μ PD780318, 780328, 780338 Subseries

The device file can be downloaded from the web site of NEC Electron Devices (<http://www.ic.nec.co.jp/micro/>).

2. The emulation probe SWEX-120SE-1 and conversion connectors NQPACK120SE, YQPACK120SE, and YQ-GUIDE are products of TOKYO ELETECH CORPORATION.

For further information, contact Daimaru Kogyo, Ltd.

Tokyo Electronics Department (TEL: +81-3-3820-7112)

Osaka Electronics Department (TEL: +81-6-6244-6672)

The correspondence between the emulation probe and conversion connectors that are sold separately is shown in the Table 1-1.

Table 1-1. Correspondence Between Emulation Probe and Conversion Connectors

Package	Emulation Probe	Conversion Connector
120-pin plastic QFP (GC type)	SWEX-120SE-1 (Probe length: 303 mm)	NQPACK120SE YQPACK120SE YQ-GUIDE

1.2 Hardware Configuration

Figures 1-2 and 1-3 show the IE-780338-NS-EM1's position in the basic hardware configuration.

Figure 1-2. Basic Hardware Configuration (Using IE-78K0-NS)

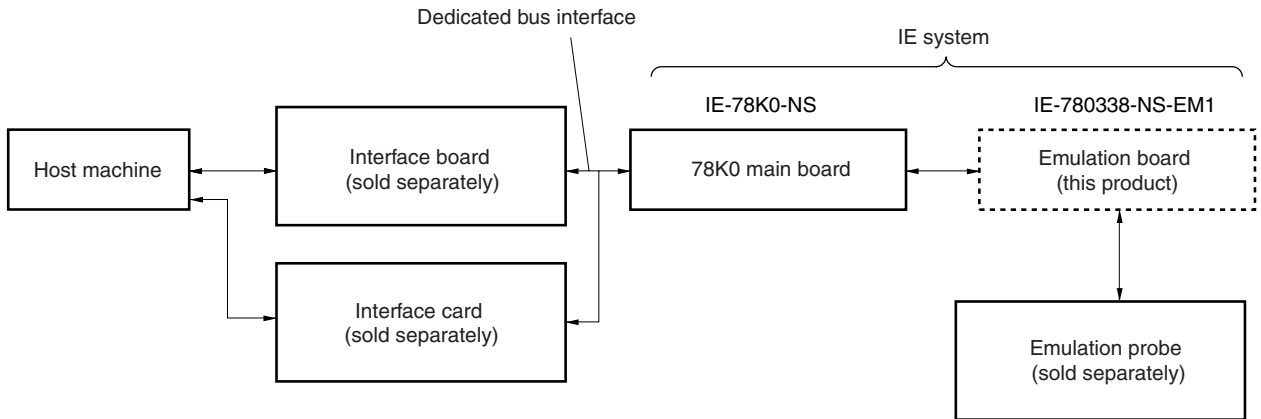
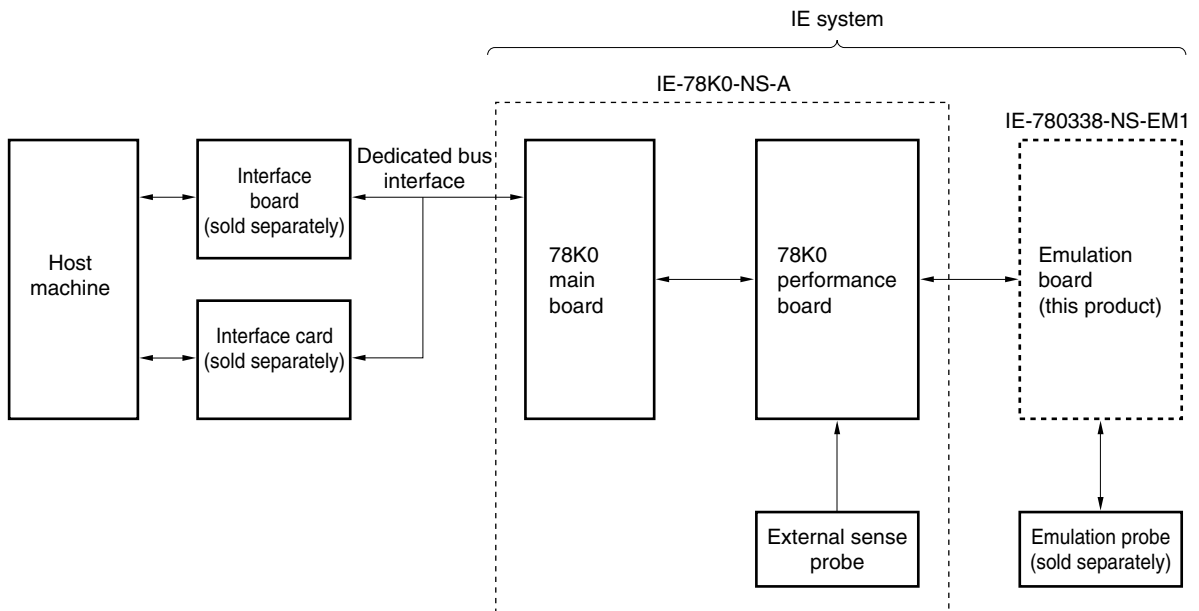


Figure 1-3. Basic Hardware Configuration (Using IE-78K0-NS-A)



1.3 Basic Specifications

The IE-780338-NS-EM1's basic specifications are listed in Table 1-2.

Table 1-2. Basic Specifications

Parameter	Description
Target device	μ PD780318, 780328, 780338 Subseries
System clock	10.0 MHz
Main system clock supply	External: Clock input from the target system via an emulation probe Internal: Clock mounted on the emulation board (10.0 MHz) or mounted on the parts board by the user
Subsystem clock supply	External: Input from the target system via an emulation probe Internal: Mounted on the emulation board (32.768 kHz) or mounted on the parts board by the user
Low voltage support	V _{DD} = 1.8 to 5.5 V (same as the target device)

CHAPTER 2 PART NAMES

This chapter introduces the parts of the IE-780338-NS-EM1 main unit.

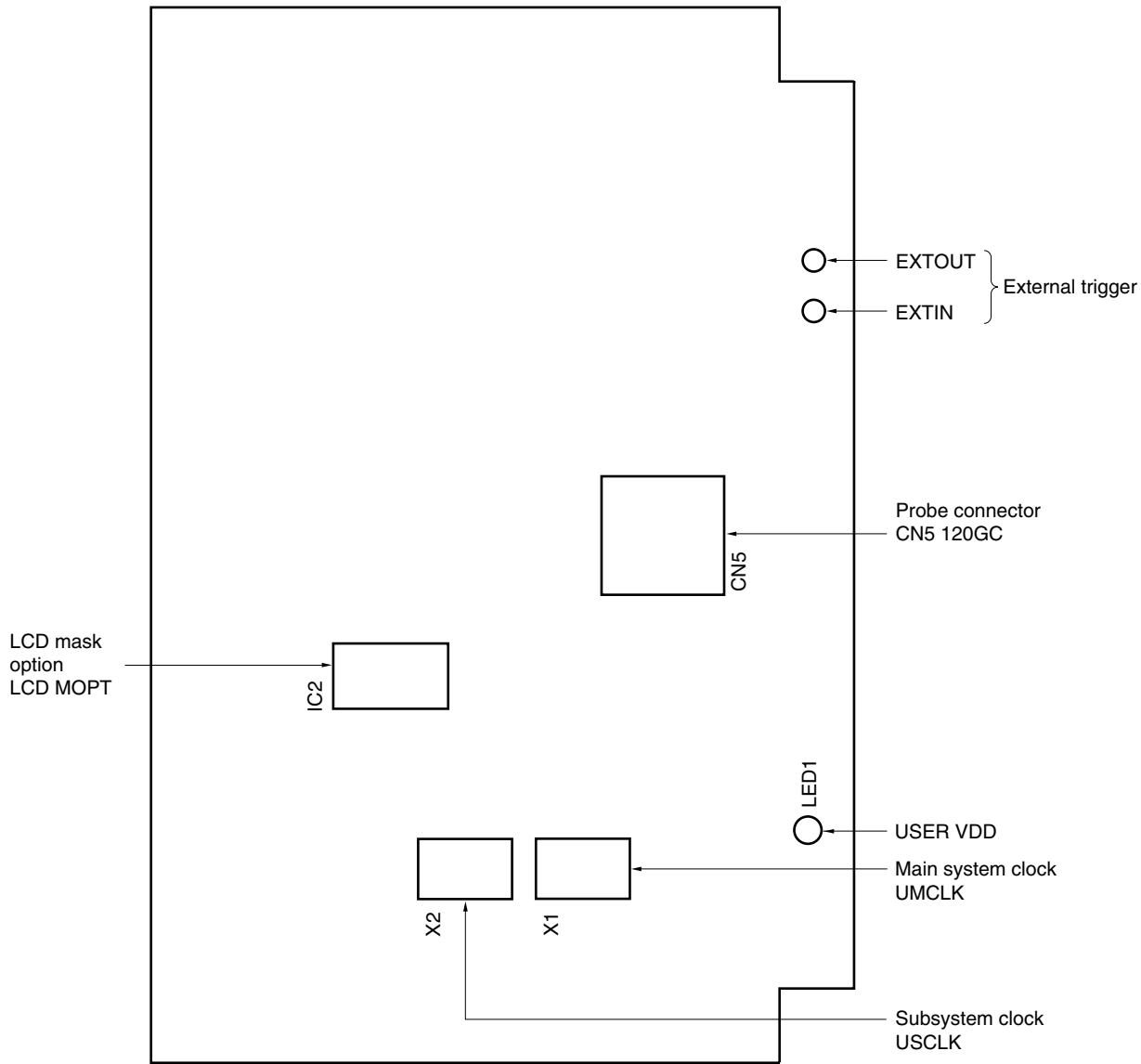
The packing box contains the emulation board (IE-780338-NS-EM1), FG cable, packing list, user's manual, and guarantee card.

If there are any missing or damaged items, please contact an NEC sales representative.

Fill out and return the guarantee card that comes with the main unit.

2.1 Parts of Main Unit

Figure 2-1. IE-780338-NS-EM1 Part Names



CHAPTER 3 INSTALLATION

This chapter describes methods for connecting the IE-780338-NS-EM1 to the IE-78K0-NS or IE-78K0-NS-A, emulation probe, etc. Mode setting methods are also described.

Caution Connecting or removing components to or from the target system, or making switch or other setting changes must be carried out after the power supply to both the IE system and the target system has been switched OFF.

3.1 Connection

(1) Connection with IE-78K0-NS or IE-78K0-NS-A main unit

See the **IE-78K0-NS User's Manual (U13731E)** for a description of how to connect the IE-780338-NS-EM1 to the IE-78K0-NS.

See the **IE-78K0-NS-A User's Manual (U14889E)** for a description of how to connect the IE-780338-NS-EM1 to the IE-78K0-NS-A.

(2) Connection with emulation probe

The following shows how to connect the emulation probe to the IE-780338-NS-EM1.

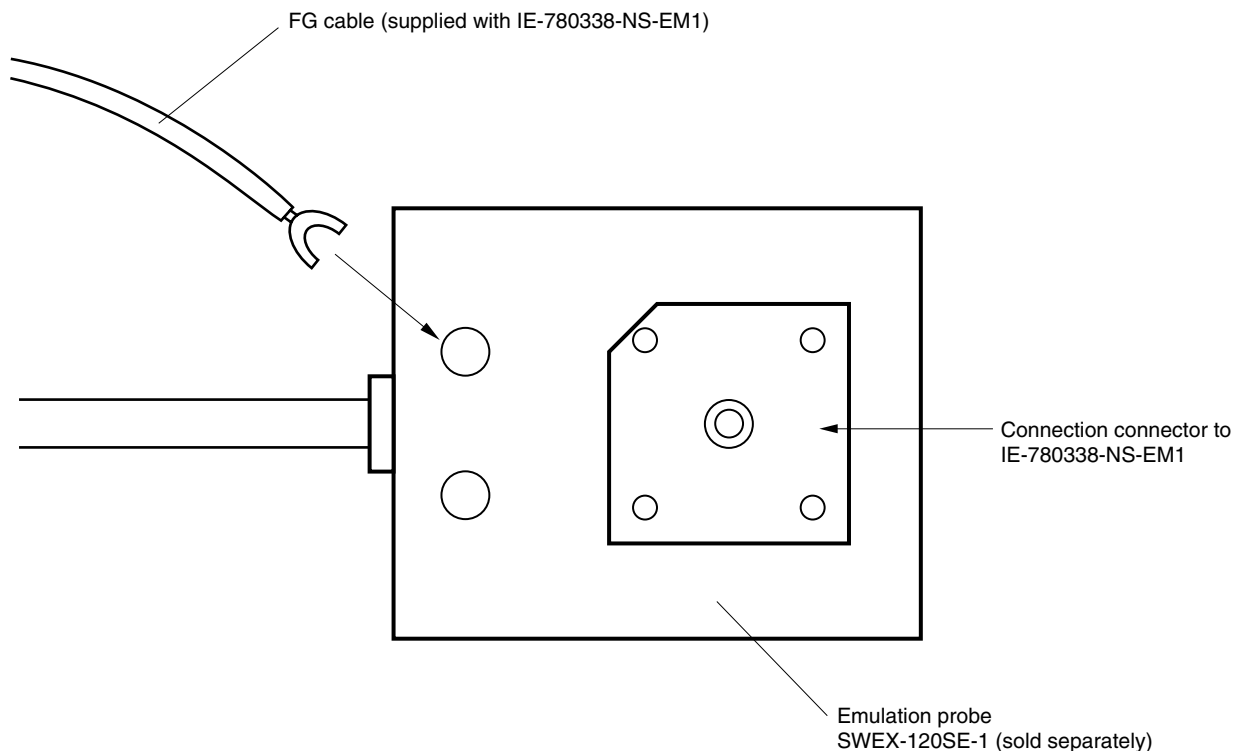
On this board, connect the emulation probe SWEX-120SE-1 to CN5.

Caution Incorrect connection may damage the IE system.

Be sure to read the emulation probe's user's manual for a detailed description of the connection method.

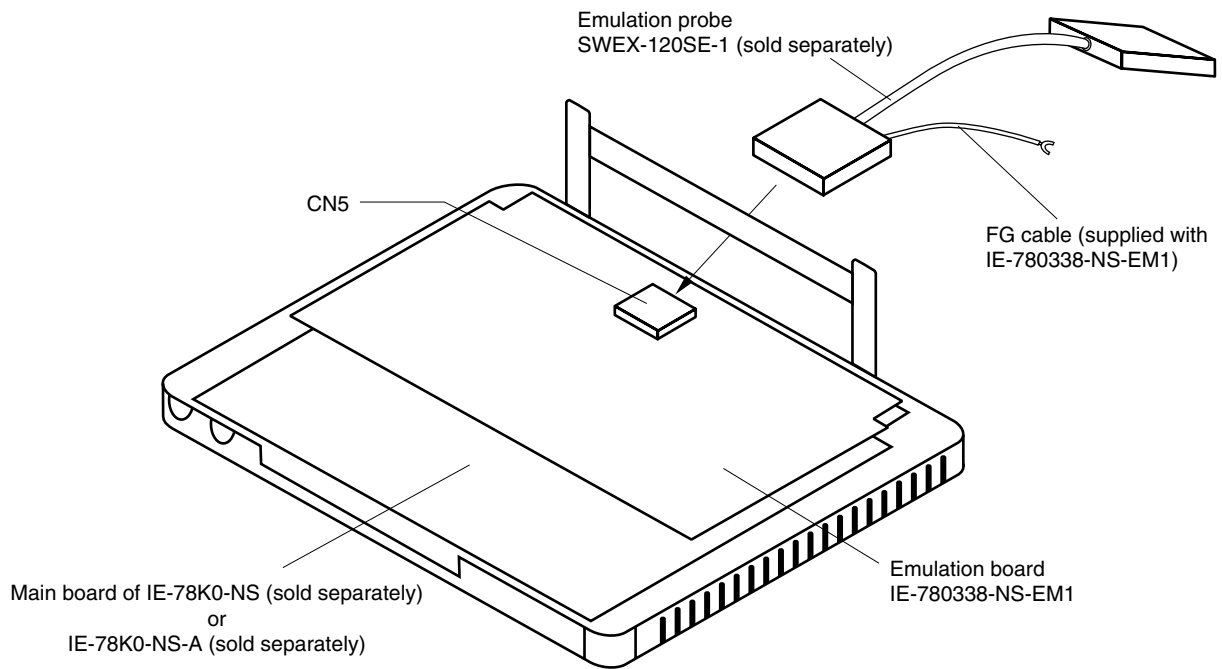
- <1> Unfasten one of the screws at the bottom of the connector on the IE system side of the emulation probe SWEX-120SE-1, and connect and screw on the tip of the FG cable.

Figure 3-1. Connection Between FG Cable and Emulation Probe



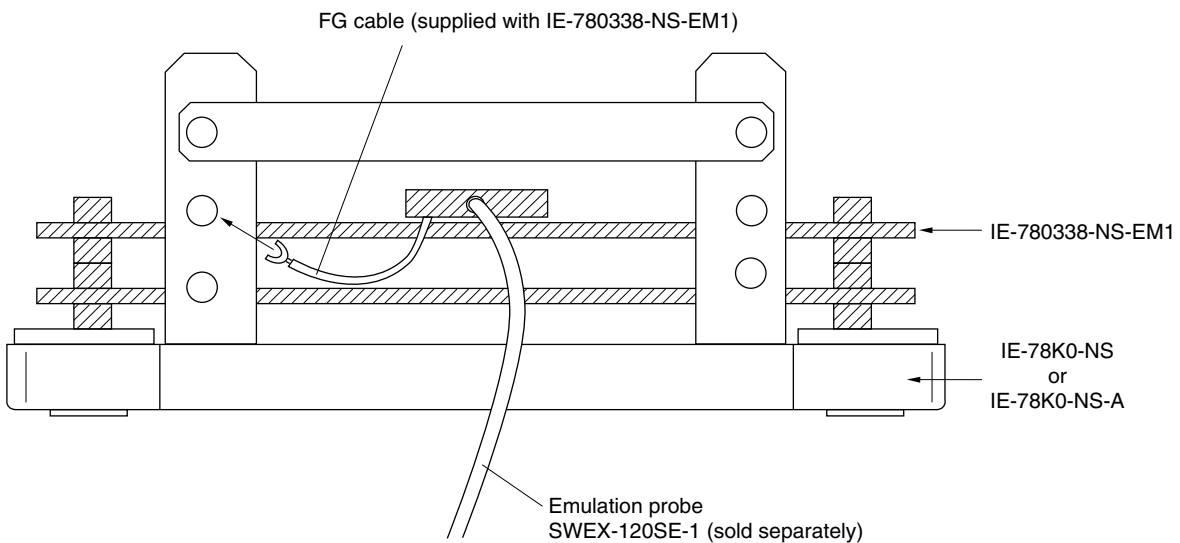
<2> Connect the emulation probe SWEX-120SE-1 to CN5 of the IE-780338-NS-EM1.

Figure 3-2. Emulation Probe Connection



<3> Unfasten one of the screws on the metal board on the probe side of the IE-78K0-NS or IE-78K0-NS-A and connect and screw on the tip of the FG cable.

Figure 3-3. Connection Between FG Cable and In-Circuit Emulator



3.2 Clock Settings

3.2.1 Overview of clock settings

The main system and subsystem clocks to be used during debugging can be selected from (1) to (3) below.

- (1) Clock that is already mounted on emulation board
- (2) Clock that is mounted by user
- (3) External clock

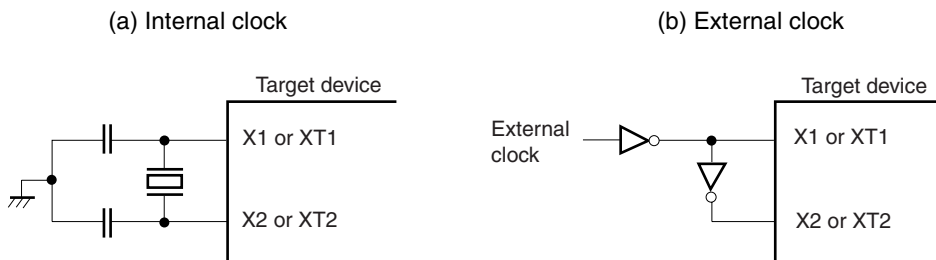
If the target system includes an internal clock, select either **(1) Clock that is already mounted on emulation board** or **(2) Clock that is mounted by user**. For an internal clock, a resonator is connected to the target device and the target device's internal oscillator is used. An example of the external circuit is shown in part (a) of Figure 3-4. During emulation, the resonator that is mounted on the target system is not used. Instead, the clock that is mounted on the emulation board connected to the IE-78K0-NS or IE-78K0-NS-A is used.

If the target system includes an external clock, select **(3) External clock**.

For an external clock, a clock signal is supplied from outside the target device and the target device's internal oscillator is not used. An example of the external circuit is shown in part (b) of Figure 3-4.

Caution The IE system will be hung-up if the main system clock is not supplied normally. Moreover, be sure to input a rectangular wave as the clock from the target. The IE system does not operate if the crystal resonator is directly connected to X1 (main system clock) and XT1 (subsystem clock).

Figure 3-4. External Circuits Used as System Clock Oscillator

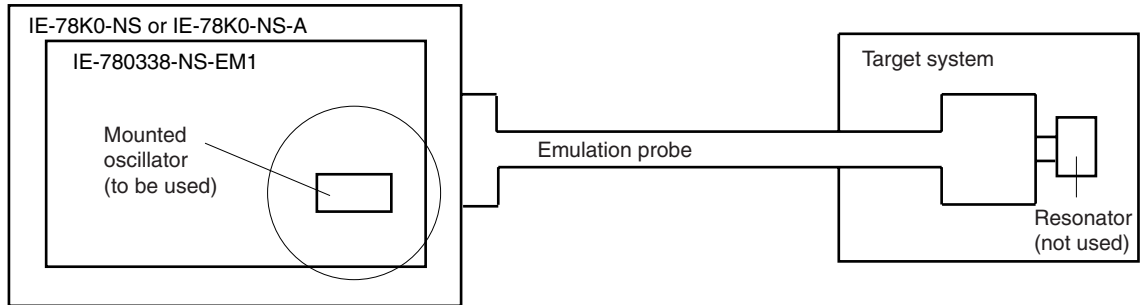


(1) Clock that is already mounted on emulation board

(a) For main system clock

A crystal oscillator (X1) is already mounted on the emulation board. Its frequency is 10.0 MHz.

Figure 3-5. When Using Clock That Is Already Mounted on Emulation Board (Main System Clock)

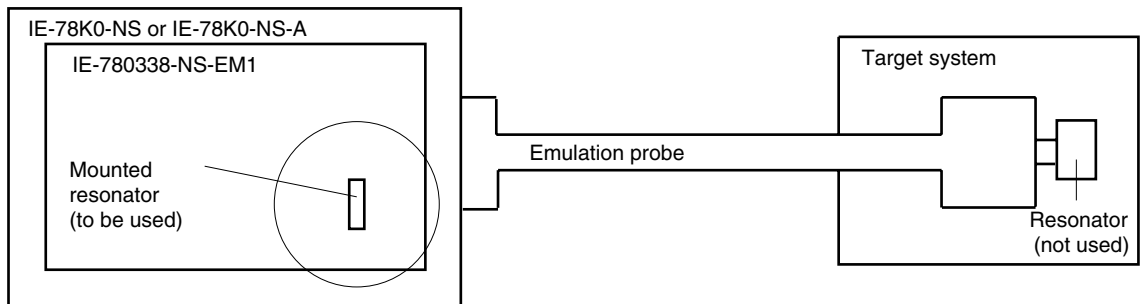


Remark The clock that is supplied by the IE-780338-NS-EM1's oscillator (encircled in the figure) is used.

(b) For subsystem clock

A crystal resonator (XT1) is already mounted on the emulation board. Its frequency is 32.768 kHz.

Figure 3-6. When Using Clock That Is Already Mounted on Emulation Board (Subsystem Clock)



Remark The clock that is supplied by the IE-780338-NS-EM1's resonator (encircled in the figure) is used.

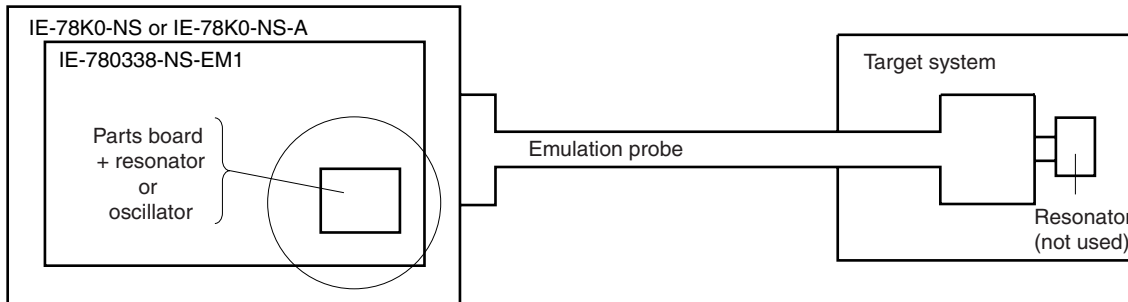
(2) Clock that is mounted by user

The user is able to mount any clock supported by the set specifications on the IE-780338-NS-EM1.

(a) For main system clock

Remove the crystal oscillator (X1) that is already mounted on the emulation board, and mount either the parts board on which the resonator to be used is mounted or an oscillator. This method is useful when using a different frequency from that of the pre-mounted clock.

Figure 3-7. When Using User-Mounted Clock (Main System Clock)

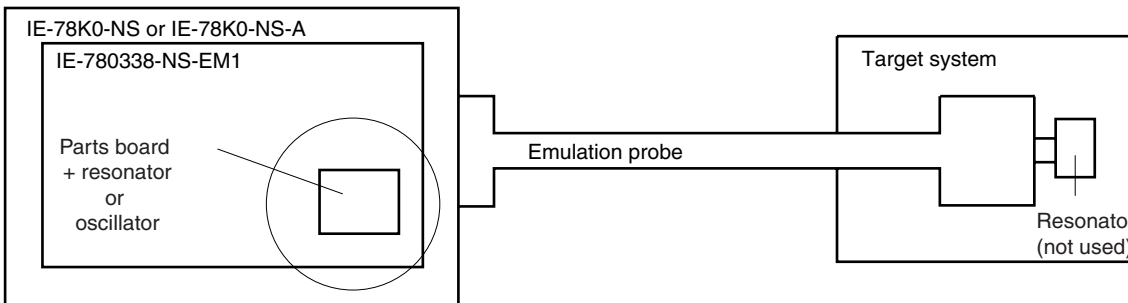


Remark The clock that is supplied by the IE-780338-NS-EM1’s resonator or oscillator (encircled in the figure) is used.

(b) For subsystem clock

Mount the resonator to be used on the parts board (X2) that is already mounted on the emulation board. Alternatively, remove the parts board and mount an oscillator.

Figure 3-8. When Using User-Mounted Clock (Subsystem Clock)

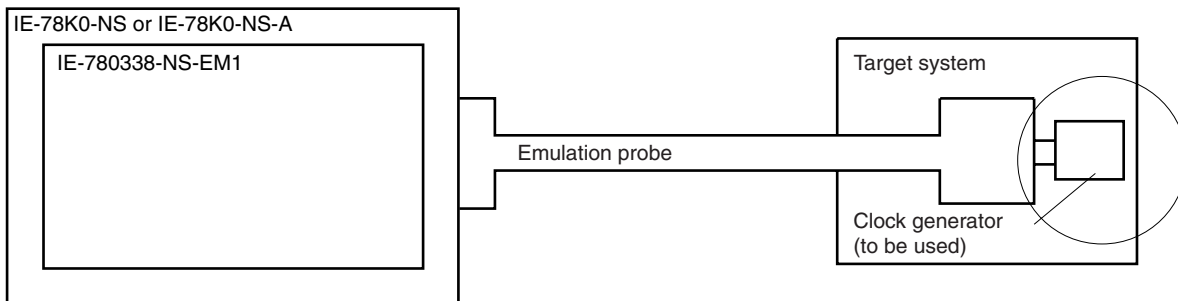


Remark The clock that is supplied by the IE-780338-NS-EM1’s resonator or oscillator (encircled in the figure) is used.

(3) External clock

An external clock connected to the target system can be used via an emulation probe.

Figure 3-9. When Using an External Clock



Remark The clock supplied by the target system’s clock generator (encircled in the figure) is used.

3.2.2 Main system clock settings

Table 3-1. Main System Clock Settings

Frequency of Main System Clock		IE-780338-NS-EM1	
		X1 Socket	CPU Clock Source Selection (ID78K0-NS)
When using clock that is already mounted on emulation board	10.0 MHz	Oscillator used	Internal
When using clock mounted by user	Other than 10.0 MHz	Oscillator assembled by user	
When using external clock			Oscillator (not used)

Caution When using an external clock, open the configuration dialog box when starting the integrated debugger (ID78K0-NS) and select “External” in the area (Clock) for selecting the CPU clock source (this selects the user clock).

Remark When the IE-780338-NS-EM1 is shipped, the settings for “when using clock that is already mounted on emulation board” are preset.

(1) When using clock that is already mounted on emulation board

When the IE-780338-NS-EM1 is shipped, a 10.0 MHz crystal oscillator is already mounted in the IE-780338-NS-EM1’s X1 socket. When using the factory-set mode settings, there is no need to make any other hardware settings.

When starting the integrated debugger (ID78K0-NS), open the configuration dialog box and select “Internal” in the area (Clock) for selecting the CPU clock source (this selects the emulator internal clock).

(2) When using clock mounted by user

Execute the settings described under either (a) or (b), depending on the type of clock to be used.

When starting the integrated debugger (ID78K0-NS), open the configuration dialog box and select "Internal" in the area (Clock) for selecting the CPU clock source (this selects the emulator internal clock).

(a) When using a ceramic resonator or crystal resonator

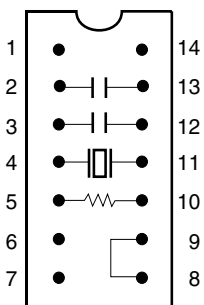
- Items to be prepared
 - Parts board
 - Ceramic resonator or crystal resonator
 - Resistor Rx
- Capacitor CA
- Capacitor CB
- Solder kit

<Steps>

<1> Solder the target ceramic resonator or crystal resonator and resistor Rx, capacitor CA, and capacitor CB (all with suitable oscillation frequency) as shown below.

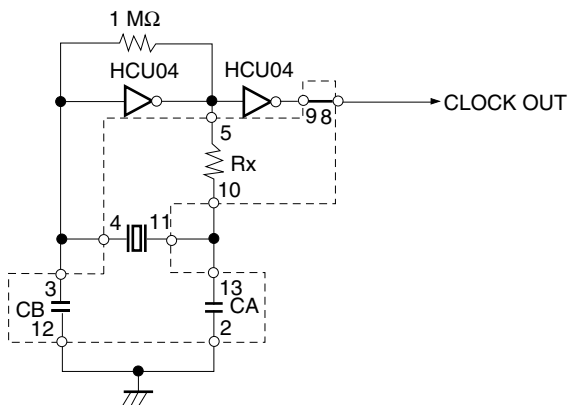
Figure 3-10. Connections on Parts Board (When Using Main System Clock or User-Mounted Clock)

Parts board (X1)



Pin No.	Connection
2-13	Capacitor CA
3-12	Capacitor CB
4-11	Ceramic resonator or crystal resonator
5-10	Resistor Rx
8-9	Shorted

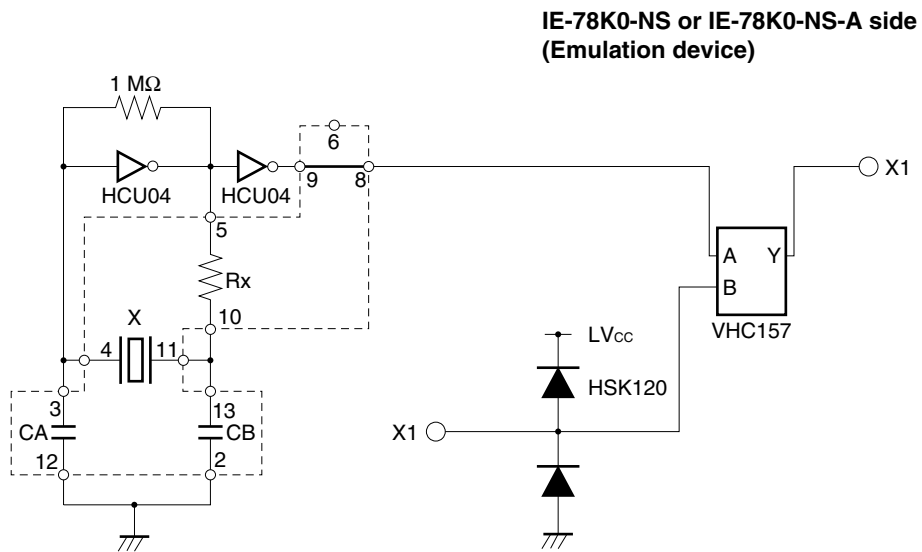
Circuit diagram



Remark The sections enclosed in broken lines indicate parts that are attached to the parts board.

- <2> Prepare the IE-780338-NS-EM1.
- <3> Remove the crystal oscillator that is mounted in the IE-780338-NS-EM1's X1 socket.
- <4> Connect the parts board (from <1> above) to the X1 socket from which the crystal oscillator was removed in <3> above. Check the pin 1 mark to make sure the board is mounted in the correct direction.
- <5> Make sure that the parts board is wired as shown in Figure 3-10 above.
- <6> Connect the IE-780338-NS-EM1 to the IE-78K0-NS or IE-78K0-NS-A.

The above steps configure the following circuit and enable supply of the clock from the mounted resonator to the emulation device.

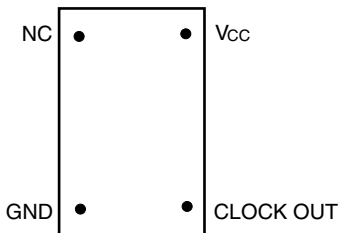


Remark The sections enclosed in broken lines indicate parts that are attached to the parts board.

(b) When using a crystal oscillator

- Items to be prepared
 - Crystal oscillator (see pinouts shown in Figure 3-11)

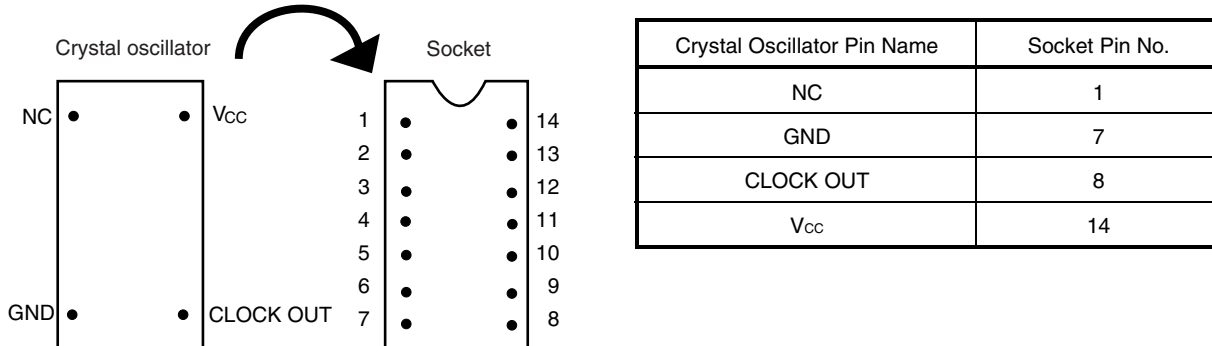
Figure 3-11. Crystal Oscillator (When Using Main System Clock or User-Mounted Clock)



<Steps>

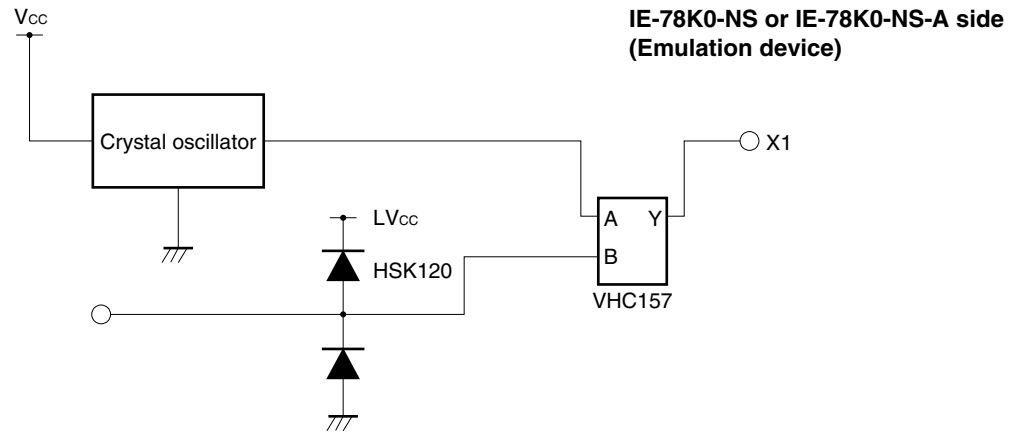
- <1> Prepare the IE-780338-NS-EM1.
- <2> Remove the crystal oscillator that is mounted in the IE-780338-NS-EM1's X1 socket.
- <3> Mount the crystal oscillator prepared by the user in the X1 socket from which the crystal oscillator was removed in <2> above. Insert the crystal oscillator pin into the socket aligning the pins as shown in the figure below.

Figure 3-12. Pin Alignment of Crystal Oscillator and Socket



- <4> Connect the IE-780338-NS-EM1 to the IE-78K0-NS or IE-78K0NS-A.

The above steps configure the following circuit and enable supply of the clock from the mounted resonator to the emulation device.



(3) When using external clock

No hardware settings are required for this situation.

When starting the integrated debugger (ID78K0-NS), open the configuration dialog box and select "External" in the area (Clock) for selecting the CPU clock source (this selects the user clock).

3.2.3 Subsystem clock settings

Table 3-2. Subsystem Clock Settings

Frequency of Subsystem Clock to Be Used		IE-780338-NS-EM1	IE-78K0-NS or IE-78K0-NS-A
		X2 Socket	JP8
When using clock (XT1) that is already mounted on emulation board	32.768 kHz	6 to 8 shorted	1 to 2 side shorted
When using clock mounted by user	Other than 32.768 kHz	Oscillator assembled by user	
When using external clock			Not used

Caution Jumper JP8, which is used to select the board’s clock or an external clock, should be set only after turning off the power of the IE-78K0-NS or IE-78K0-NS-A.

Remark When the IE-780338-NS-EM1 is shipped, the settings for “when using clock that is already mounted on emulation board” are preset.

(1) When using clock that is already mounted on emulation board

When the IE-780338-NS-EM1 is shipped, a 32.768 kHz crystal resonator (XT1) and the parts board (X2) on which pins 6 and 8 are shorted are already mounted on the IE-780338-NS-EM1. Short the 1 to 2 side on the jumper (JP8) of the IE-78K0-NS or IE-78K0-NS-A. There is no need to make any other settings via the integrated debugger (ID78K0-NS).

(2) When using the clock mounted by user

Execute the settings described under either (a) or (b), depending on the type of clock to be used. Short the 1 to 2 side on the jumper (JP8) of the IE-78K0-NS or IE-78K0-NS-A.

For the jumper position, refer to the **IE-78K0-NS User’s Manual (U13731E)** when using the IE-78K0-NS, and refer to the **IE-78K0-NS-A User’s Manual (U14889E)** when using the IE-78K0-NS-A.

There is no need to make any other settings via the integrated debugger (ID78K0-NS).

(a) When using a ceramic resonator or crystal resonator

- Items to be prepared
 - Parts board
 - Ceramic resonator or crystal resonator
 - Resistor Rx
 - Capacitor CA
 - Capacitor CB
 - Solder kit

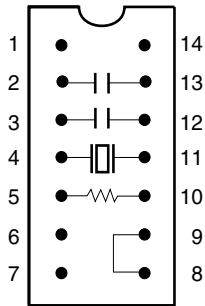
<Steps>

<1> Prepare the IE-780338-NS-EM1.

<2> Solder the ceramic resonator or crystal resonator, resistor Rx, capacitor CA, and capacitor CB (all with suitable oscillation frequency) onto the parts board (X2) (as shown below).

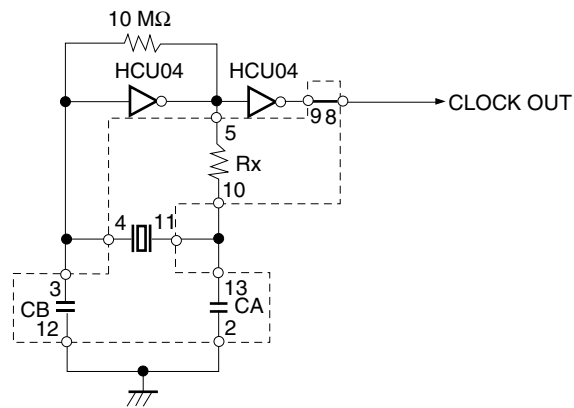
Figure 3-13. Connections on Parts Board (When Using Subsystem Clock or User-Mounted Clock)

Parts board (X2)



Pin No.	Connection
2-13	Capacitor CA
3-12	Capacitor CB
4-11	Ceramic resonator or crystal resonator
5-10	Resistor Rx
8-9	Short

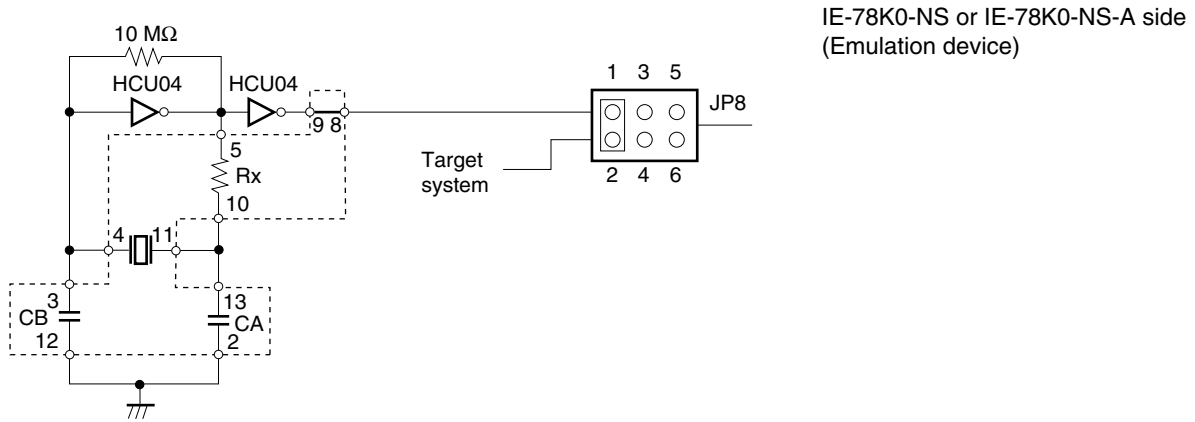
Circuit diagram



Remark The sections enclosed in broken lines indicate parts that are attached to the parts board.

- <3> Make sure that the parts board (X2) is wired as shown in Figure 3-13.
- <4> Remove the parts board that is mounted in the IE-780338-NS-EM1's X2 socket.
- <5> Connect the parts board from <2> above to the socket from which the parts board was removed (from <4> above). Check the pin 1 mark to make sure the board is mounted in the correct direction.
- <6> Connect the IE-780338-NS-EM1 to the IE-78K0-NS or IE-78K0-NS-A.

The above steps configure the following circuit and enable supply of the clock from the mounted resonator to the emulation device.

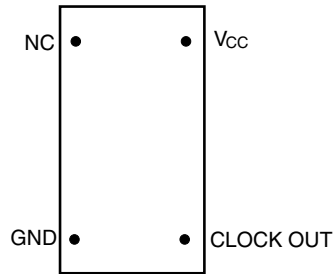


- Remarks**
- 1. The sections enclosed in broken lines indicate parts that are attached to the parts board.
 - 2. There is JP8 on the IE-78K0-NS or IE-78K0-NS-A.

(b) When using a crystal oscillator

- Items to be prepared
 - Crystal oscillator (see pinouts shown in Figure 3-14)

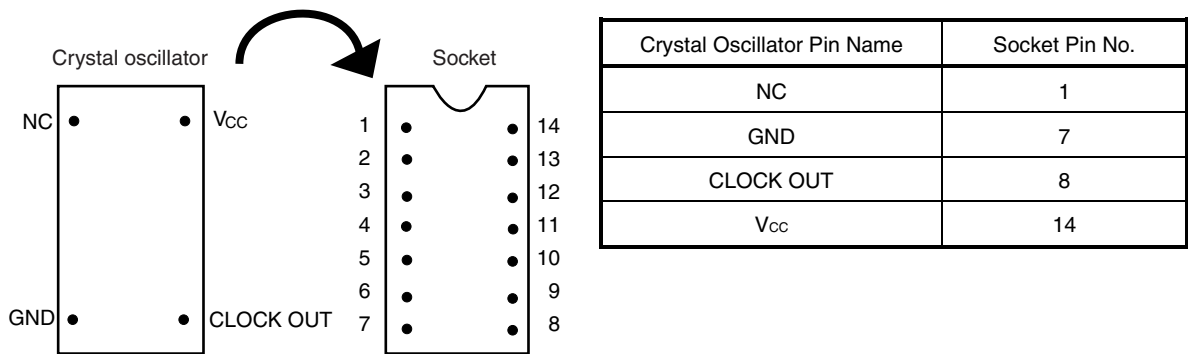
Figure 3-14. Crystal Oscillator (When Using Subsystem Clock or User-Mounted Clock)



<Steps>

- <1> Prepare the IE-780338-NS-EM1.
- <2> Remove the parts board that is mounted in the IE-780338-NS-EM1's X2 socket.
- <3> Mount the crystal oscillator prepared by the user in the X2 socket from which the parts board was removed in <2> above. Insert the crystal oscillator pin into the socket aligning the pins as shown in the figure below.

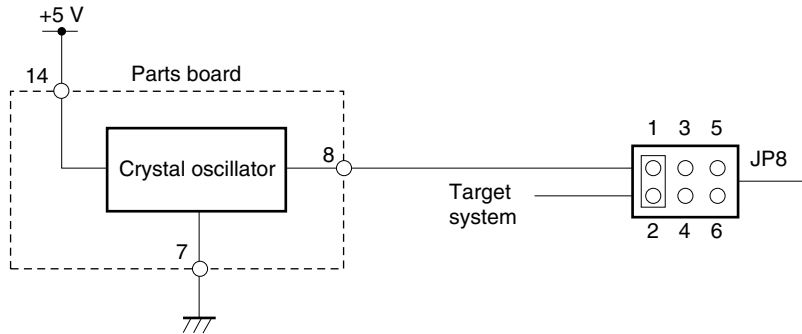
Figure 3-15. Pin Alignment of Crystal Oscillator and Socket



- <4> Connect the IE-780338-NS-EM1 to the IE-78K0-NS or IE-78K0-NS-A.

The above steps configure the following circuit and enable supply of the clock from the mounted oscillator to the emulation device.

IE-78K0-NS or IE-78K0-NS-A side
(Emulation device)



- Remarks**
1. The sections enclosed in broken lines indicate the parts that are attached to the parts board.
 2. There is JP8 on the IE-78K0-NS or IE-78K0-NS-A.

(3) When using an external clock

Short the 3 to 4 side on the jumper (JP8) of the IE-78K0-NS or IE-78K0-NS-A. There is no need to make any settings via the integrated debugger (ID78K0-NS).

3.3 Mask Option Setting

3.3.1 LCD booster

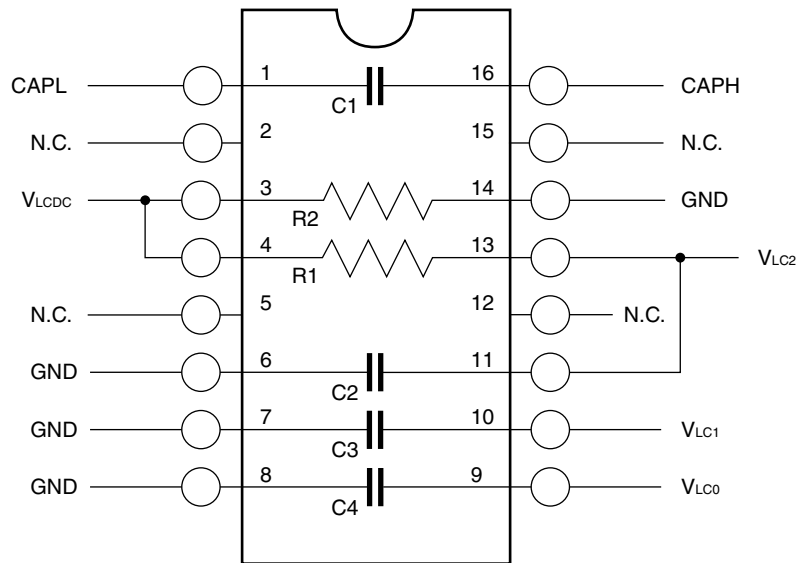
When shipped, an LCD drive booster is mounted on the parts board in the LCD MOPT (IC2) socket of the IE-780338-NS-EM1.

To change the LCD drive booster, mount the resistors or capacitors necessary for the parts board or others provided with this product in the LCD MOPT socket.

Figure 3-16 shows the LCD drive booster.

Caution The booster on the target system cannot be used.

Figure 3-16. LCD MOPT Socket (IC2)



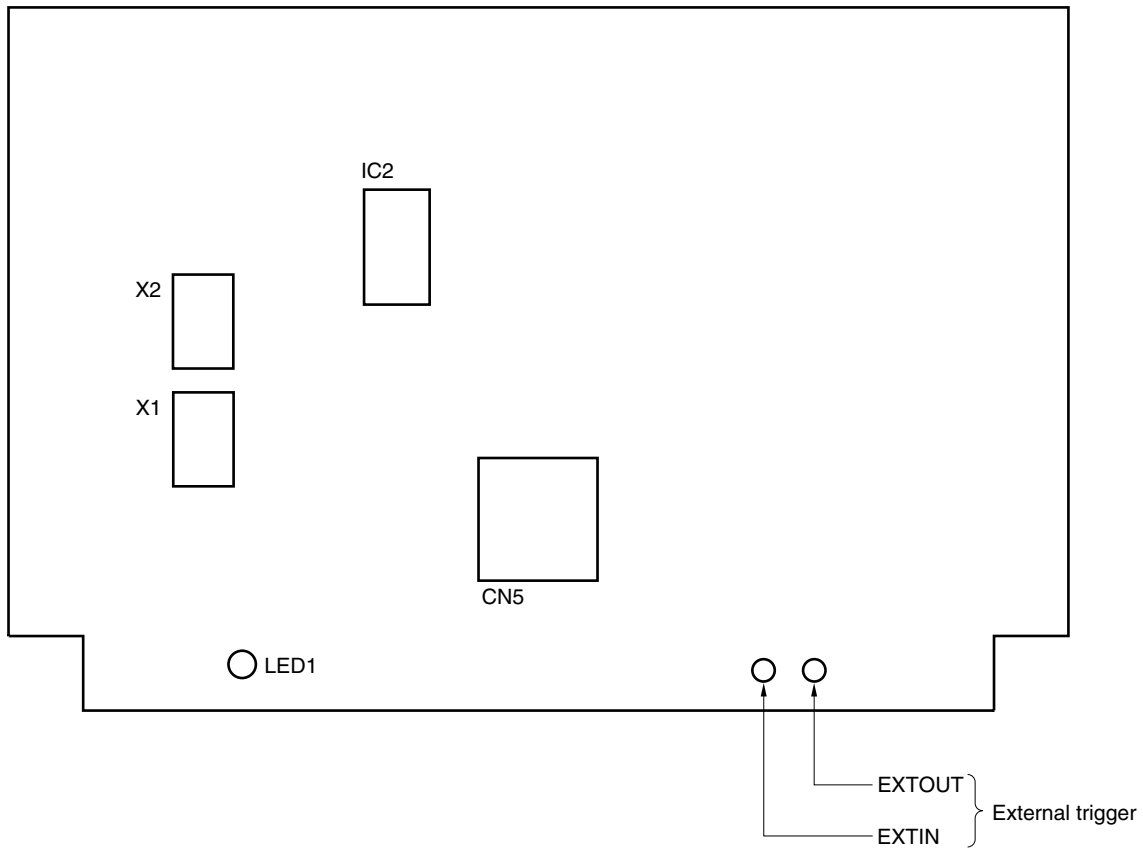
Connection Pins	Part Used	Parts Board at Shipment
1-16	Capacitor C1	0.47 μ F
3-14	Resistor R2	2 M Ω
4-13	Resistor R1	1 M Ω
6-11	Capacitor C2	0.47 μ F
7-10	Capacitor C3	0.47 μ F
8-9	Capacitor C4	0.47 μ F

3.4 External Trigger

Connect the external trigger to the IE-780338-NS-EM1's check pins EXTOUT and EXTIN as shown below.

See the **IE-78K0-NS User's Manual (U13731E)** or **IE-78K0-NS-A User's Manual (U14889E)** for pin characteristics, and the **ID78K Series Integrated Debugger Ver. 2.30 or Later Operation (Windows Based) User's Manual (U15185E)** for the usage methods.

Figure 3-17. External Trigger Input Position



3.5 Jumper Settings on IE-78K0-NS

When using the IE-780338-NS-EM1 in combination with the IE-78K0-NS, set the jumper on the IE-78K0-NS as shown below.

For details of these jumper positions, refer to the **IE-78K0-NS User's Manual (U13731E)**.

Caution If the jumpers are set incorrectly, the board may be damaged.

Table 3-3. Jumper Settings on IE-78K0-NS

	JP2	JP3	JP4	JP6	JP7	JP8
Setting	2 to 3 shorted	1 to 2 shorted	1 to 2 shorted	3 to 4 shorted	1 to 2 shorted	Note

Note The settings for the JP8 are as follows.

1-2 shorted: Internal selection of subsystem clock

3-4 shorted: External selection of subsystem clock

3.6 Jumper Settings on IE-78K0-NS-A

When using the IE-780338-NS-EM1 in combination with the IE-78K0-NS-A, set the jumper on the IE-78K0-NS-A as shown below.

For details of these jumper positions, refer to the **IE-78K0-NS-A User's Manual (U14889E)**.

Caution If the jumpers are set incorrectly, the board may be damaged.

Table 3-4. Jumper Settings on IE-78K0-NS-A G-780009 Board

	JP2	JP3	JP4	JP6	JP7	JP8
Setting	2 to 3 shorted	1 to 2 shorted	1 to 2 shorted	3 to 4 shorted	1 to 2 shorted	Note

Note The settings for the JP8 are as follows.

1-2 shorted: Internal selection of subsystem clock

3-4 shorted: External selection of subsystem clock

Table 3-5. Jumper Settings on IE-78K0-NS-A G-78K0H Option Board

	JP2
Setting	2 to 3 shorted

3.7 Low-Voltage Emulation Settings

When the target system is operating on low voltage, supply the same supply voltage as the target system to the TP1 terminal pin on the main board of the IE-78K0-NS or IE-78K0-NS-A (G-780009 Board) (this processing is not necessary when the target system is operating at 5 V).

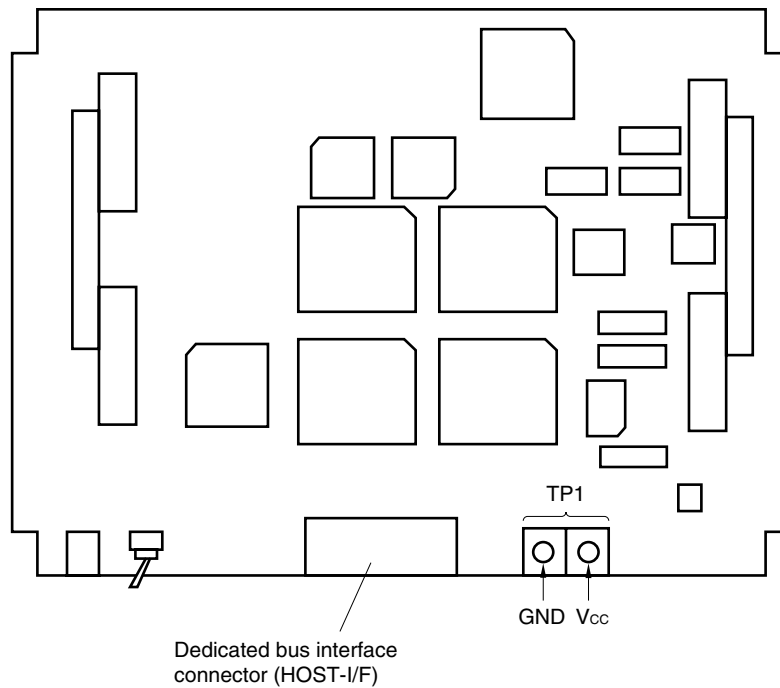
At that time, set the voltage supplied to the target system to between 1.8 and 5.5 V.

Caution When emulating at 4.5 V or lower, first start up at 5 V and then lower the target system voltage.

Table 3-6. Supply Voltage and Maximum Current Consumption During Low-Voltage Emulation

Voltage Supplied to TP1	Maximum Current Consumption of TP1
1.8 to 5.5 V	300 mA

Figure 3-18. Main Board of IE-78K0-NS or IE-78K0-NS-A (G-780009 Board)



CHAPTER 4 DIFFERENCES BETWEEN TARGET DEVICES AND TARGET INTERFACE CIRCUITS

This chapter describes differences between the target device's signal lines and the signal lines of the IE-780338-NS-EM1's target interface circuit.

Although the target device is a CMOS circuit, the IE-780338-NS-EM1's target interface circuit consists of emulation circuits such as an emulation CPU, TTL, and CMOS-IC.

When the IE system is connected with the target system for debugging, the IE system performs emulation so as to operate as the actual target device would operate in the target system.

However, some minor differences exist since the operations are performed via the IE system's emulation.

- (1) Signals input or output from the emulation CPU (μ PD780009A)
- (2) Signals input or output from the emulation CPU (μ PD78F0338)
- (3) Other signals

The IE-780338-NS-EM1's circuit is used as follows for signals listed in (1) to (3) above.

(1) Signals input or output from the emulation CPU (μ PD780009A)

See **Figure 4-1 Equivalent Circuit of Emulation Circuit 1.**

- P47 to P40
- P57 to P50
- P67 to P60

(2) Signals input or output from the emulation CPU (μ PD78F0338)

See **Figure 4-2 Equivalent Circuit of Emulation Circuit 2.**

- P05 to P00
- P17 to P10
- P25 to P20
- P34 to P30
- P73 to P70
- P87 to P80
- P97 to P90
- P120
- ANI8, ANI9, AVREF1, AVREF0, AVSS0
- S23 to S0
- COM3 to COM0

(3) Other signals

See **Figure 4-3 Equivalent Circuit of Emulation Circuit.**

- VDD1, VDD0
- VSS1, VSS0
- X2, XT2
- VPP
- CAPL, CAPH, VLCDC, VLC2, VLC1, VLC0
- RESET
- X1
- XT1

Caution The same applies to the connection of alternate-function pins as no circuits exist in the IE system.

Figure 4-1. Equivalent Circuit of Emulation Circuit 1

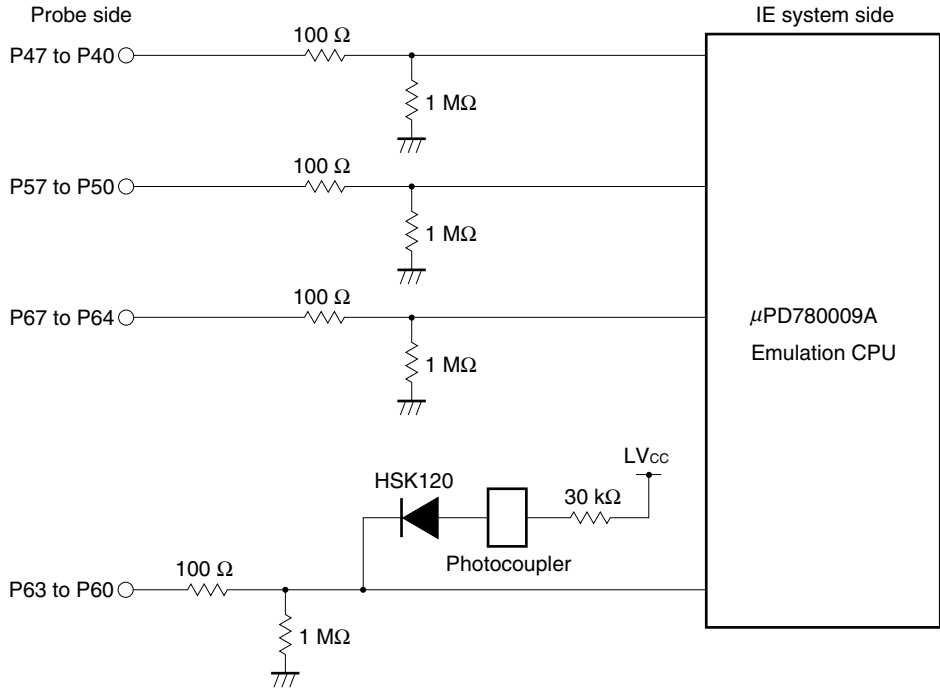


Figure 4-2. Equivalent Circuit of Emulation Circuit 2

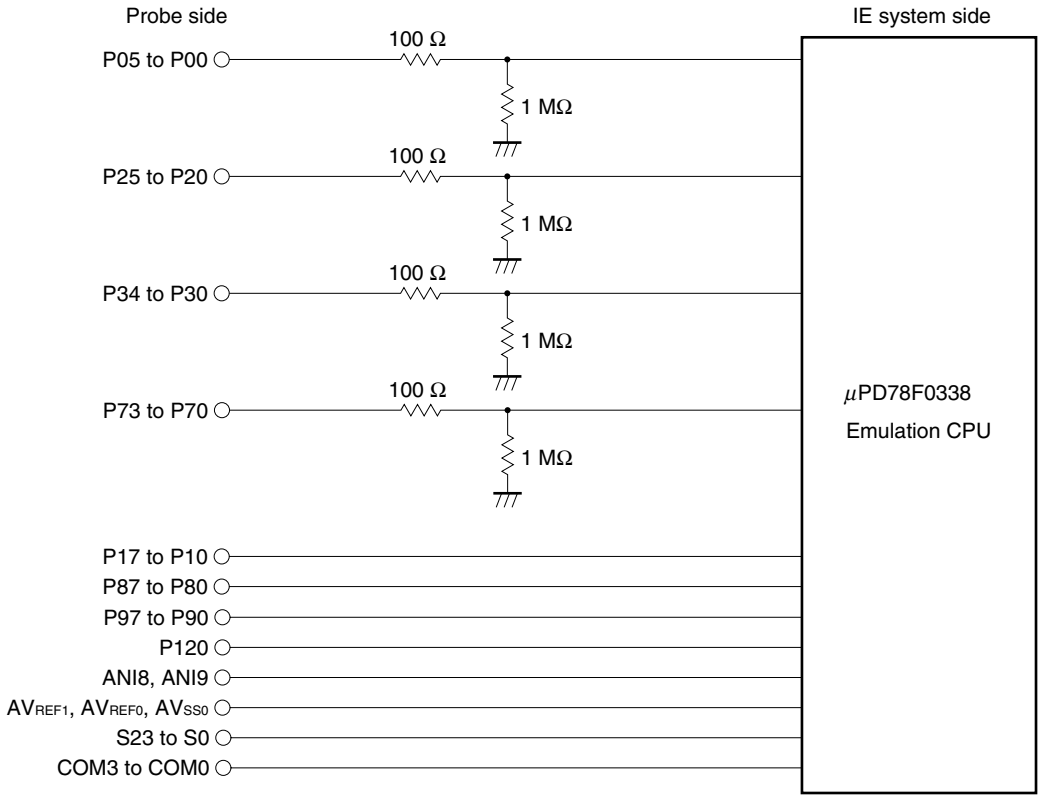
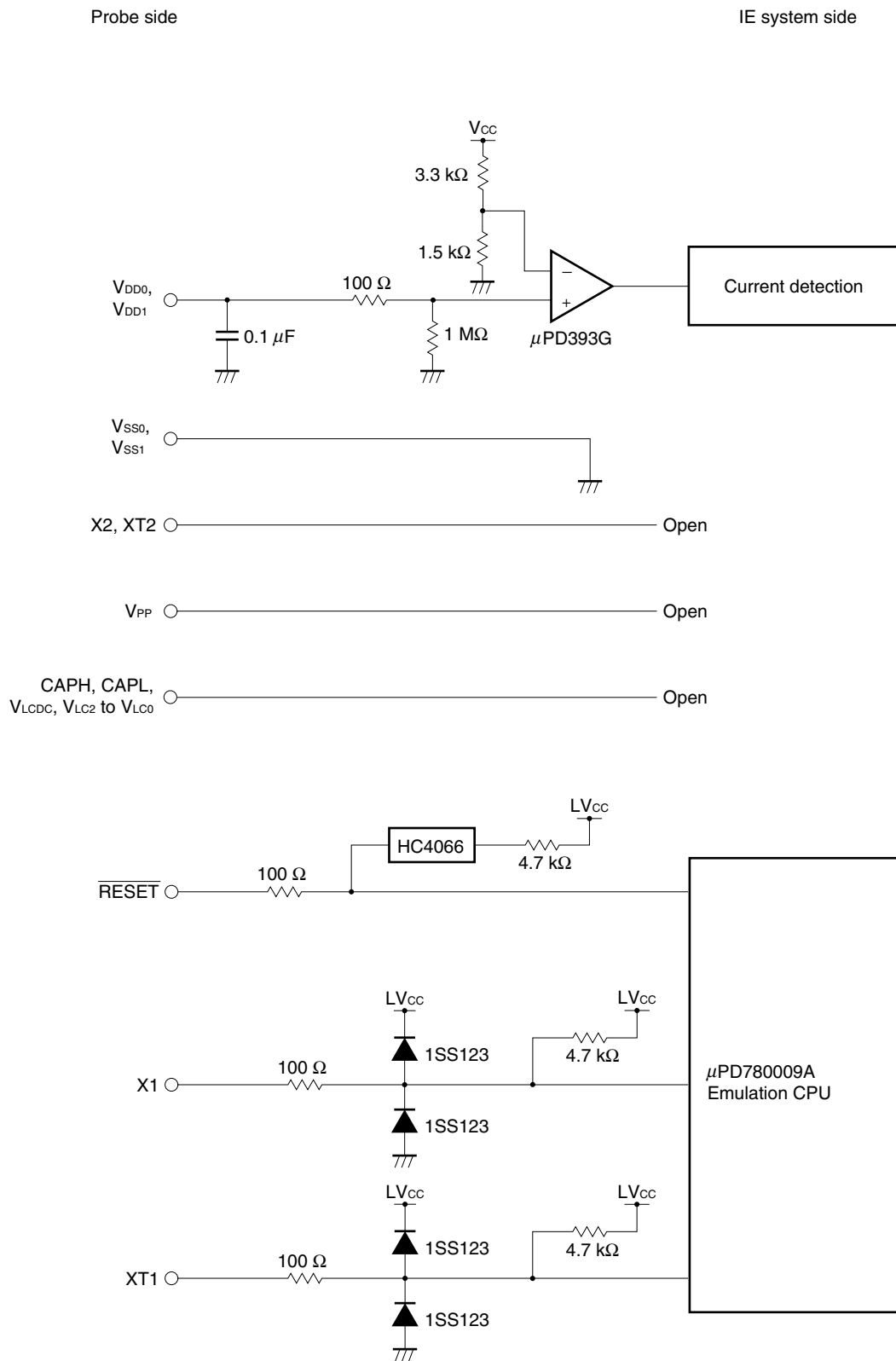


Figure 4-3. Equivalent Circuit of Emulation Circuit 3



CHAPTER 5 RESTRICTIONS AND CAUTIONS ON USE

This chapter lists the restrictions and cautions on use of the IE-780338-NS-EM1.

- (1) Connect the in-circuit emulator to products with the following control code.

In-Circuit Emulator	Corresponding Control Code
IE-78K0-NS	L or higher
IE-78K0-NS-A	E or higher

- (2) Switching the number of the key returns (KRSEL register (FF8FH)) cannot be emulated.
- (3) To emulate port 8 of the μ PD780316, 780318, 780326, 780328, 780336, or 780338, set PF8 and PM8 as follows only once after reset, in the same way as to port 8 of the μ PD78F0338.

SFR Name	Set Value
PM8	00H
PF8	FFH

- (4) To emulate port 9 of the μ PD780316, 780318, 780326, 780328, 780336, or 780338, set PF9 and PM9 as follows only once after reset, in the same way as to port 9 of the μ PD78F0338.

SFR Name	Set Value
PM9	00H
PF9	FFH

- (5) The ROM correction function cannot be emulated.

APPENDIX A EMULATION PROBE PIN ASSIGNMENT TABLE

Table A-1. SWEX-120SE-1 Pin Assignments (1/2)

Emulation Probe	CN5 Pin No.	Emulation Probe	CN5 Pin No.
1	1	35	35
2	2	36	36
3	3	37	37
4	4	38	38
5	5	39	39
6	6	40	40
7	7	41	41
8	8	42	42
9	9	43	43
10	10	44	44
11	11	45	45
12	12	46	46
13	13	47	47
14	14	48	48
15	15	49	49
16	16	50	50
17	17	51	51
18	18	52	52
19	19	53	53
20	20	54	54
21	21	55	55
22	22	56	56
23	23	57	57
24	24	58	58
25	25	59	59
26	26	60	60
27	27	61	61
28	28	62	62
29	29	63	63
30	30	64	64
31	31	65	65
32	32	66	66
33	33	67	67
34	34	68	68

- Remarks**
1. The SWEX-120SE-1 is product of TOKYO ELETECH CORPORATION.
 2. The numbers in the “Emulation Probe” column indicate the corresponding pin number on the emulation probe tip.

Table A-1. SWEX-120SE-1 Pin Assignments (2/2)

Emulation Probe	CN5 Pin No.	Emulation Probe	CN5 Pin No.
69	69	95	95
70	70	96	96
71	71	97	97
72	72	98	98
73	73	99	99
74	74	100	100
75	75	101	101
76	76	102	102
77	77	103	103
78	78	104	104
79	79	105	105
80	80	106	106
81	81	107	107
82	82	108	108
83	83	109	109
84	84	110	110
85	85	111	111
86	86	112	112
87	87	113	113
88	88	114	114
89	89	115	115
90	90	116	116
91	91	117	117
92	92	118	118
93	93	119	119
94	94	120	120

- Remarks**
1. The SWEX-120SE-1 is product of TOKYO ELETECH CORPORATION.
 2. The numbers in the “Emulation Probe” column indicate the corresponding pin number on the emulation probe tip.

APPENDIX B CAUTIONS ON DESIGNING TARGET SYSTEM

Figures B-1 and B-2 show the conditions when connecting the emulation probe to the conversion connector. Follow the configuration below and consider the shape of parts to be mounted on the target system when designing a system.

In the product names described in this appendix, SWEX-120SE-1, NQPACK120SE, YQPACK120SE, and YQ-GUIDE are products of TOKYO ELETECH CORPORATION.

Figure B-1. Distance Between In-Circuit Emulator and Conversion Socket

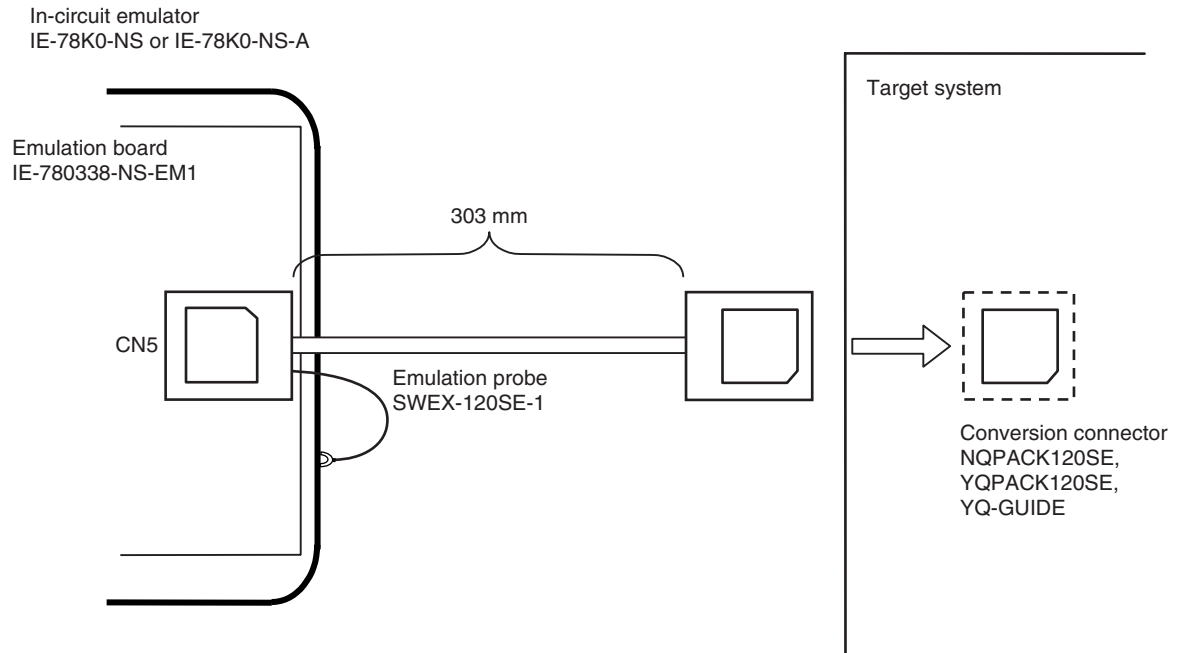
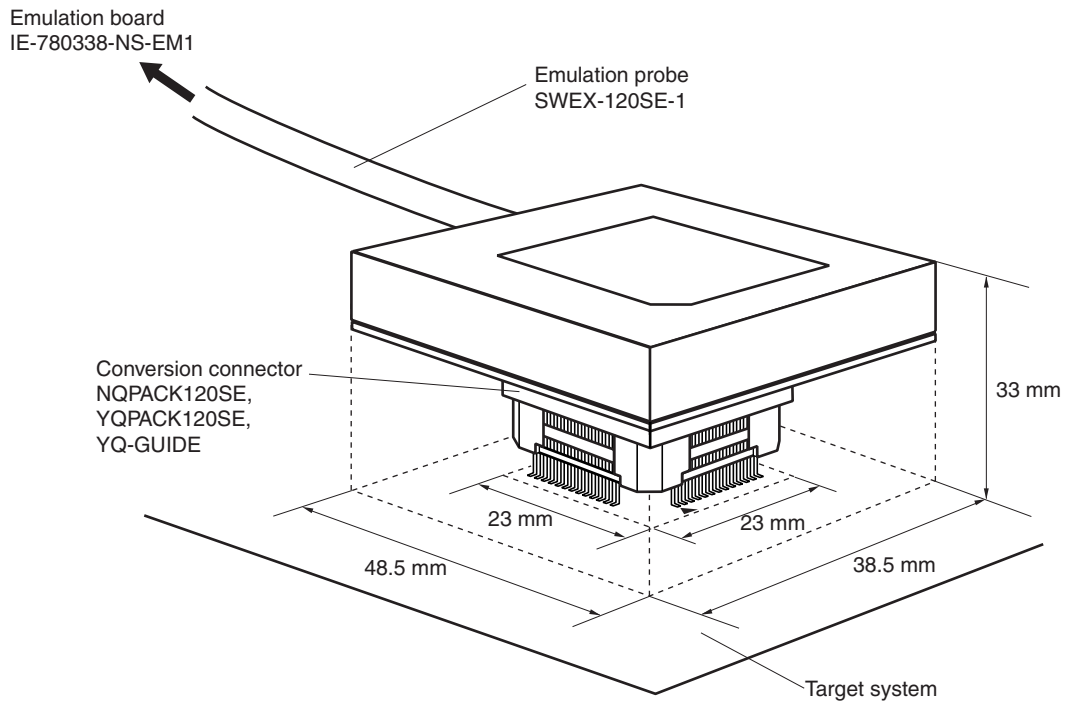


Figure B-2. Connection Conditions of Target System



[MEMO]

[MEMO]

Facsimile Message

Although NEC has taken all possible steps to ensure that the documentation supplied to our customers is complete, bug free and up-to-date, we readily accept that errors may occur. Despite all the care and precautions we've taken, you may encounter problems in the documentation. Please complete this form whenever you'd like to report errors or suggest improvements to us.

From:

Name

Company

Tel.

FAX

Address

Thank you for your kind support.

North America

NEC Electronics Inc.
Corporate Communications Dept.
Fax: +1-800-729-9288
+1-408-588-6130

Hong Kong, Philippines, Oceania

NEC Electronics Hong Kong Ltd.
Fax: +852-2886-9022/9044

Taiwan

NEC Electronics Taiwan Ltd.
Fax: +886-2-2719-5951

Europe

NEC Electronics (Europe) GmbH
Market Communication Dept.
Fax: +49-211-6503-274

Korea

NEC Electronics Hong Kong Ltd.
Seoul Branch
Fax: +82-2-528-4411

Asian Nations except Philippines

NEC Electronics Singapore Pte. Ltd.
Fax: +65-250-3583

South America

NEC do Brasil S.A.
Fax: +55-11-6462-6829

P.R. China

NEC Electronics Shanghai, Ltd.
Fax: +86-21-6841-1137

Japan

NEC Semiconductor Technical Hotline
Fax: +81-44-435-9608

I would like to report the following error/make the following suggestion:

Document title: _____

Document number: _____ Page number: _____

If possible, please fax the referenced page or drawing.

Document Rating	Excellent	Good	Acceptable	Poor
Clarity	<input type="checkbox"/>	<input type="checkbox"/>	<input type="checkbox"/>	<input type="checkbox"/>
Technical Accuracy	<input type="checkbox"/>	<input type="checkbox"/>	<input type="checkbox"/>	<input type="checkbox"/>
Organization	<input type="checkbox"/>	<input type="checkbox"/>	<input type="checkbox"/>	<input type="checkbox"/>