

AIR CONDITIONER

Use & Care Guide

This guide contains useful information.
Read it carefully before using your room air conditioner.
For questions about features, operation/performance
parts, accessories or service, call: **1-800-253-1301** in the U.S.A.

ACONDICIONADOR DE AIRE

Manual de Uso y Cuidado

Esta guía contiene información útil. Léala cuidadosamente antes de
usar su acondicionador de aire de habitación.

Para consultas respecto a características, operación/desempeño,
partes, accesorios o servicio técnico, llame al **1-800-253-1301**
en los EE. UU.

Table of Contents/Índice	2
--------------------------------	---

TABLE OF CONTENTS

AIR CONDITIONER SAFETY	3
INSTALLATION REQUIREMENTS	3
Tools and Parts	3
Location Requirements	4
Electrical Requirements	4
INSTALLATION INSTRUCTIONS	5
Unpacking	5
Installing Air Conditioner	6
Position the Air Conditioner Cabinet	7
Complete Installation	8
AIR CONDITIONER USE	9
Starting Your Air Conditioner	9
Changing Air Direction	12
Normal Sounds	12
AIR CONDITIONER CARE	12
Cleaning the Air Filter	12
Cleaning the Front Panel	12
Repairing Paint Damage	12
Annual Maintenance	12
TROUBLESHOOTING	13
ASSISTANCE OR SERVICE	14
Accessories	14

ÍNDICE

SEGURIDAD DEL ACONDICIONADOR DE AIRE	15
REQUISITOS DE INSTALACIÓN	15
Herramientas y piezas	15
Requisitos de ubicación	16
Requisitos eléctricos	16
INSTRUCCIONES DE INSTALACIÓN	17
Desempaquetado	17
Instalación del acondicionador de aire	18
Colocación del gabinete del acondicionador de aire	19
Complete la instalación	21
CÓMO USAR SU ACONDICIONADOR DE AIRE	22
Cómo poner en marcha su acondicionador de aire	22
Cómo cambiar la dirección del aire	25
Sonidos normales	25
CUIDADO DE SU ACONDICIONADOR DE AIRE	25
Limpieza del filtro de aire	25
Limpieza del panel delantero	25
Reparación de la pintura dañada	25
Mantenimiento anual	25
SOLUCIÓN DE PROBLEMAS	26
AYUDA O SERVICIO TÉCNICO	27
Accesorios	27

AIR CONDITIONER SAFETY

Your safety and the safety of others are very important.

We have provided many important safety messages in this manual and on your appliance. Always read and obey all safety messages.



This is the safety alert symbol.

This symbol alerts you to potential hazards that can kill or hurt you and others.

All safety messages will follow the safety alert symbol and either the word "DANGER" or "WARNING." These words mean:

! DANGER

You can be killed or seriously injured if you don't immediately follow instructions.

! WARNING

You can be killed or seriously injured if you don't follow instructions.

All safety messages will tell you what the potential hazard is, tell you how to reduce the chance of injury, and tell you what can happen if the instructions are not followed.

IMPORTANT SAFETY INSTRUCTIONS

WARNING: To reduce the risk of fire, electrical shock or injury when using your air conditioner, follow these basic precautions:

- Plug into a grounded 3 prong outlet.
- Do not use an extension cord.
- Do not remove ground prong.
- Unplug air conditioner before servicing.
- Do not use an adapter.
- Use two or more people to move and install air conditioner.

SAVE THESE INSTRUCTIONS

INSTALLATION REQUIREMENTS

Tools and Parts

Assemble the required tools and parts before starting installation. Read and follow the instructions provided with any tools listed here.

Tools Needed

- Flat-blade and Phillips screwdrivers
- Tape measure
- Level
- Drill and $\frac{3}{32}$ " or smaller bit
- Scissors

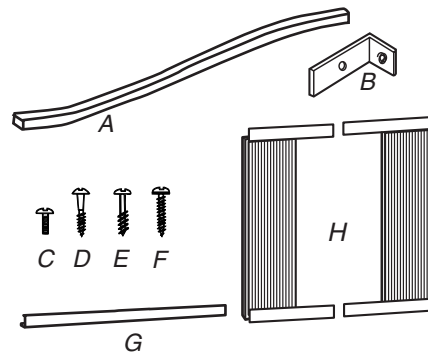
Through-the-wall installation

In addition to the tools listed above, the following tools are needed for through-the-wall installation.

- Saw
- 1" (2.5 cm) or heavier lumber
- Wood preservative
- #8 x $\frac{1}{2}$ " wood screws (6)
- Caulk

Parts supplied (on some models)

Check that all parts are included in parts package.



A. Foam seals (2)

B. Window-lock bracket

C. #6 - 32 x $\frac{1}{4}$ " pan-head screws (2)

D. #8 x $\frac{3}{4}$ " round-head screws (3)

E. #10 - 12 x $\frac{3}{8}$ " pan-head Phillips screws (3)

F. #8 - 18 x $\frac{3}{8}$ " pan-head Phillips screws (6)

G. Top channel

H. Side curtains (2)

NOTE: Installation parts are supplied for double-hung windows up to 40" (101.6 cm) wide. A special Wide Window Kit is available from your dealer or service center. See "Accessories."

Location Requirements

IMPORTANT: Observe all governing codes and ordinances.

Check the location where air conditioner will be installed. Proper installation is your responsibility. Make sure you have everything necessary for correct installation.

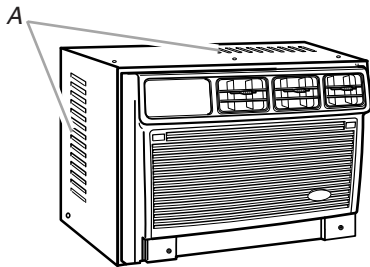
The location should provide:

- Grounded electrical outlet within 4 ft (122 cm) of where the power cord exits the air conditioner.

NOTE: Do not use an extension cord.

- Free movement of air to rooms to be cooled.
- A large enough opening for the air conditioner.
- Adequate wall support for weight of air conditioner. Air conditioner weighs between 80 and 110 lb (36.3 to 49.9 kg).

NOTE: Cabinet louvers must not be obstructed. Air must be able to pass freely through the cabinet louvers.

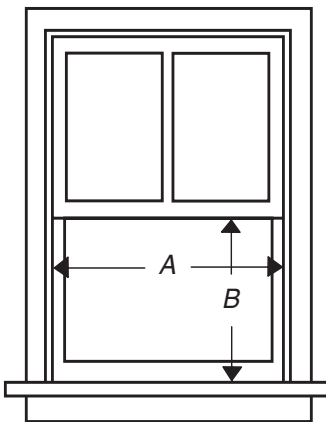


A. Cabinet louvers

Window installation (on some models)

Window opening measurements:

- Width: 28" (71.1 cm) minimum to 40" (101.6 cm) maximum.
- Height: 16 1/4" (41.3 cm) minimum.

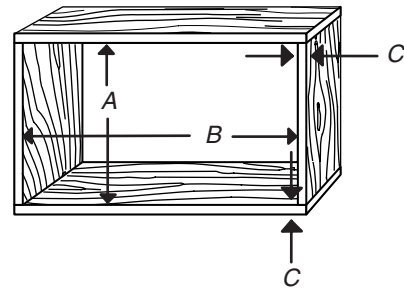


A. 28" (71.1 cm) minimum to 40" (101.6 cm) maximum
B. 16 1/4" (41.3 cm) minimum

Through-the-wall installation

The wall opening measurements should be:

- Height: 16" (40.6 cm) plus twice the thickness of wood used to build frame.
- Width: 22 5/8" (57.5 cm) plus twice the thickness of wood used to build frame.



A. 16" (40.6 cm) + 2 x C
B. 22 5/8" (57.5 cm) + 2 x C

Electrical Requirements

⚠ WARNING



Electrical Shock Hazard

Plug into a grounded 3 prong outlet.

Do not remove ground prong.

Do not use an adapter.

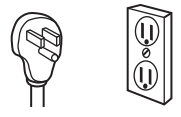
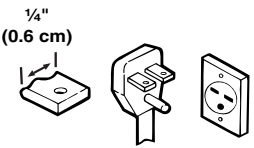
Do not use an extension cord.

Failure to follow these instructions can result in death, fire, or electrical shock.

Ground wire must be connected to ground screw located in lower right corner of air conditioner when air conditioner is in cabinet.

The electrical ratings for your air conditioner are listed on the model and serial number label. The model and serial number label is located behind the front panel on the front flange above the coil area.

Specific electrical requirements are listed in the chart below. Follow the requirements for the type of plug on the power supply cord.

Power supply cord plug outlet	Wiring requirements
	<ul style="list-style-type: none"> ■ 115 volt (103.5 min. - 126.5 max.) ■ 0-12 amps ■ 15-amp time-delay fuse or circuit breaker ■ Use on single outlet circuit only.
	<ul style="list-style-type: none"> ■ 230 volt (207 min. - 253 max.) ■ 230/208 volt (197.6 min. - 253 max.) ■ 0-12 amps ■ 15-amp time-delay fuse or circuit breaker ■ Use on single outlet circuit only.

Recommended ground method

For your personal safety, this air conditioner must be grounded. This air conditioner is equipped with a power supply cord having a grounded 3 prong plug. To minimize possible shock hazard, the cord must be plugged into a mating, grounded 3 prong outlet, grounded in accordance with all local codes and ordinances. If a mating outlet is not available, it is the customer's responsibility to have a properly grounded 3 prong outlet installed by a qualified electrical installer.

It is the customer's responsibility:

- To contact a qualified electrical installer.
- To assure that the electrical installation is adequate and in conformance with National Electrical Code, ANSI/NFPA 70 - latest edition, and all local codes and ordinances.

Copies of the standards listed may be obtained from:

National Fire Protection Association
One Batterymarch Park
Quincy, Massachusetts 02269

INSTALLATION INSTRUCTIONS

Unpacking

⚠ WARNING

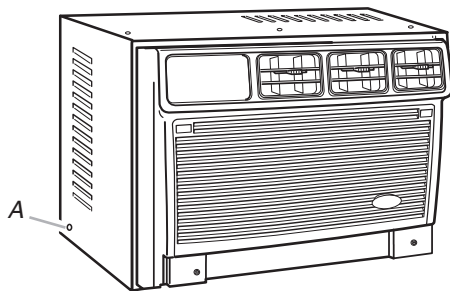
Excessive Weight Hazard

Use two or more people to move and install air conditioner.

Failure to do so can result in back or other injury.

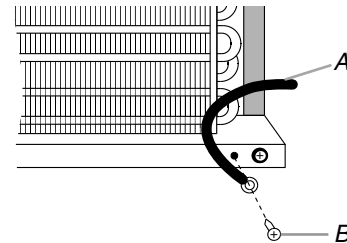
Remove packaging materials

- Remove and properly dispose of packaging materials. Remove tape and glue residue from surfaces before turning on the air conditioner. Rub a small amount of liquid dish soap over the adhesive with your fingers. Wipe with warm water and dry.
 - Do not use sharp instruments, rubbing alcohol, flammable fluids, or abrasive cleaners to remove tape or glue. These products can damage the surface of your air conditioner.
 - Handle air conditioner with care.
1. Remove air conditioner from carton and place on cardboard.
 2. Remove shipping screw from side wall of cabinet.



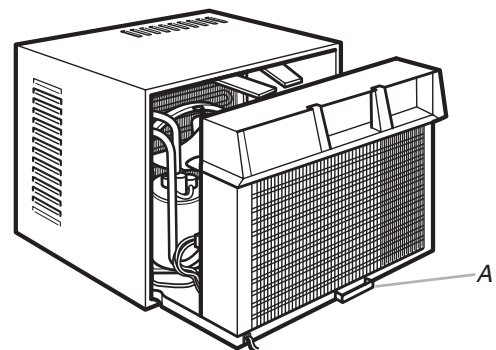
A. Shipping screw

3. Pull control knobs off (on some models).
4. Remove front panel from air conditioner and set aside.
5. Remove ground screw and ground wire from front of air conditioner base. Save ground screw.



A. Green ground wire
B. Ground screw

6. Pull on handle to slide air conditioner out of cabinet. Place air conditioner on cardboard.



A. Handle

NOTE: Do not lift, push, pull or remove any expanded polystyrene (foam) from inside the air conditioner. It is not packing material.

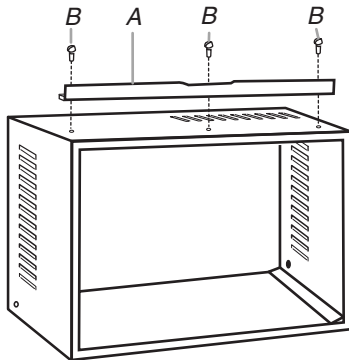
Installing Air Conditioner

- Handle air conditioner with care.
- Be sure your air conditioner cabinet does not fall out of the opening during installation or removal.
- Where the power cord exits the air conditioner should be placed no more than 4 ft (122 cm) from a grounded 3 prong outlet.

Window installation (on some models)

NOTE: Attach top channel and side curtains to air conditioner cabinet before placing cabinet in window.

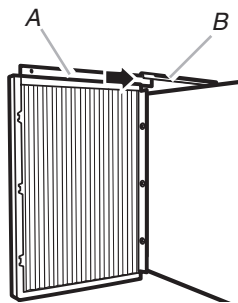
1. Locate supplied bag of screws.
2. Place top channel on top of air conditioner cabinet, lining up the 3 holes in top channel with the 3 holes on top of air conditioner cabinet.
3. Using 3 - #10 - 12 x $\frac{3}{8}$ " pan-head Phillips screws, attach top channel to air conditioner cabinet.



A. Top channel
B. #10 - 12 x $\frac{3}{8}$ " pan-head Phillips screws

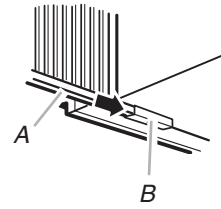
4. Insert top and then bottom of right-hand curtain housing in top and bottom curtain guides on air conditioner cabinet.

Back View



A. Curtain housing
B. Curtain guides

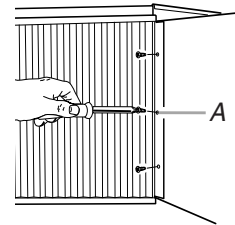
Bottom View



A. Curtain housing
B. Curtain guides

5. Extend right-hand curtain outward so you may insert the first screw through the middle hole of the curtain. Using #8 - 18 x $\frac{3}{8}$ " pan-head screw, screw curtain to middle hole in air conditioner cabinet.

NOTE: This screw is required to correctly attach curtain (top to bottom) to the air conditioner cabinet.



A. #8 - 18 x $\frac{3}{8}$ " pan-head screw

6. While the right-hand curtain is still extended, insert #8 - 18 x $\frac{3}{8}$ " pan-head screws into the top and bottom slots of curtain. Screw curtain to the top and bottom holes in air conditioner cabinet.

NOTE: Some curtains may have 2 slots at each end. You will be able to see a mounting hole through the correct slot.

7. Slide curtain housing into guides as far as it will go.
8. Repeat above steps for left-hand curtain.

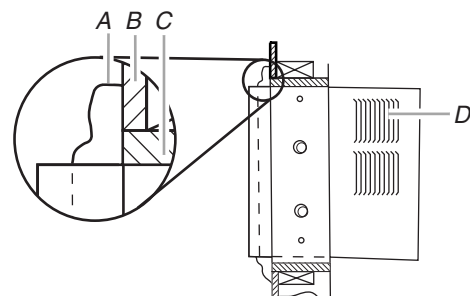
Through-the-wall installation

NOTES:

- It is the customer's responsibility and obligation to have this product installed by a qualified technician familiar with through-the-wall room air conditioner installations.
- Where the power cord exits the air conditioner should be placed no more than 4 ft (122 cm) from a grounded 3 prong outlet.
- Do not block louvers.

Option 1—Wood, metal or plastic molding

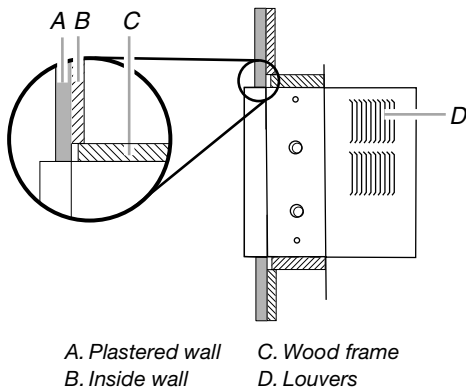
When using a wood, metal or plastic molding, the wood frame should line up with inside wall as shown.



A. Molding
B. Inside wall
C. Wood frame
D. Louvers

Option 2—Plaster wall with no molding

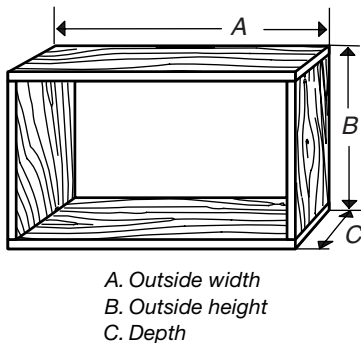
If the plastered wall is to be flush with the cabinet and no molding is used, the wood frame must be set $\frac{1}{2}$ " (13 mm) into the inside wall.



1. Construct wood frame. See "Location Requirements" for dimensions.
2. Measure outside width and height of frame to determine wall opening dimensions.
3. Cut opening through the wall. Remove and save insulation.

NOTES:

- Dimension for depth depends on wall thickness and type of molding.
- Do not block louvers in air conditioner cabinet.
- Use 1" (2.5 cm) or heavier lumber for wood frame.



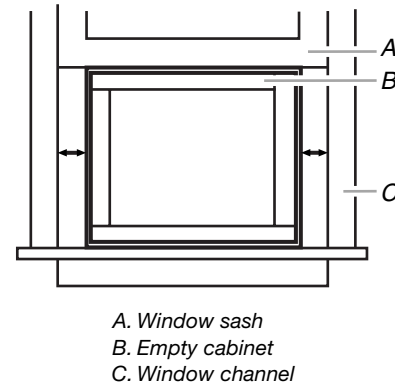
4. Apply wood preservative to the outside exposed surface.
5. Insert the frame in the wall opening. Square and level frame.
6. Attach frame securely to the wall.

Position the Air Conditioner Cabinet

- Handle air conditioner with care.
- Be sure your air conditioner cabinet does not fall out of the opening during installation or removal.
- The place where the power cord exits the air conditioner should be no more than 4 ft (122 cm) from a grounded 3 prong outlet.
- Do not block the louvers on the front panel.
- Do not block the louvers on the outside of the air conditioner.

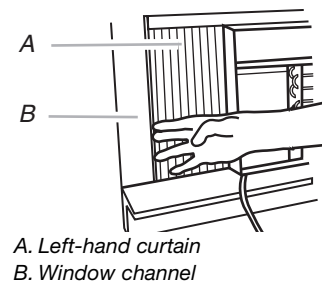
Window installation (on some models)

1. Center empty cabinet in window. Check that lower rail of air conditioner cabinet is behind and against back side of windowsill. Maintain a firm hold on the air conditioner cabinet. Lower window sash to hold cabinet in place.
2. Measure the distance between the right-hand side of the cabinet and the inside of the window channel.
3. Repeat for the left side. Adjust the cabinet until the distance on each side is the same.

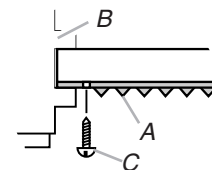


4. Check that air conditioner cabinet is tilted to the outside so that water will run to the outside.
5. Pull left-hand curtain out until it fits into window channel. Use a $\frac{3}{32}$ " drill bit to drill a starter hole through the hole in the curtain housing and into the lower window sash.

Front View

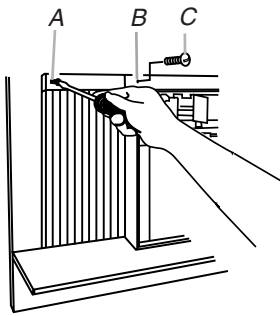


Top View



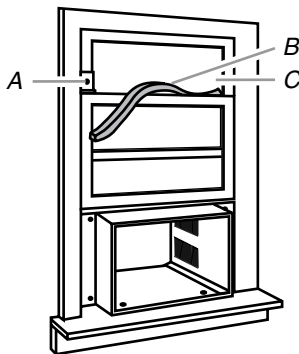
6. Insert one of the #8 x $\frac{3}{4}$ " round-head screws through hole and into lower window sash. Insert one of the #6 - 32 x $\frac{1}{4}$ " pan-head screws through threaded hole in top of curtain.

7. Repeat for right-hand curtain.



A. Hole for #8 x 3/4" round-head screw
 B. Threaded hole
 C. #6 - 32 x 1/4" pan-head screw

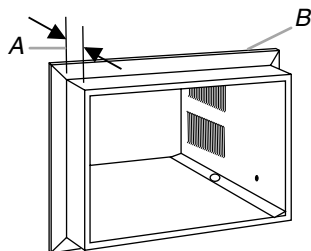
8. Insert foam seal behind the top of the lower window sash and against the glass of the upper window.
9. Place window-lock bracket on top of lower window and against upper window sash.
10. Use a 3/32" drill bit to drill a starter hole through the hole in the bracket and into the window sash.
11. Attach window-lock bracket to window sash with #8 x 3/4" round-head screw to secure window in place.



A. Window lock bracket
 B. Foam seal
 C. Upper window glass

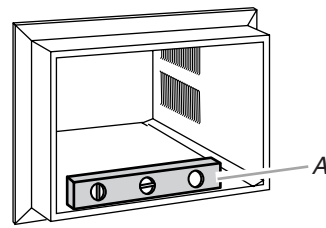
Through-the-wall installation

1. Insert cabinet into the framed wall opening.
 The top of the cabinet should extend 1/2" (13 mm) into the room. If there is trim, the cabinet should extend 1/2" (13 mm) past the trim.



A. 1/2" (13 mm) extending into room
 B. Trim

2. Use a level to check that cabinet is level side to side.



A. Level

3. Check that air conditioner cabinet is tilted to the outside so that water will run to the outside.
4. Reuse the insulation to seal opening between cabinet and frame.
5. Use existing holes and 6 - #8 x 1/2" wood screws (not provided) to attach cabinet to frame.
NOTE: Do not overtighten screws or cabinet will distort and provide a poor air seal between cabinet and air conditioner.
6. Caulk all outside wall openings around cabinet.

Complete Installation

NOTE: Handle air conditioner with care.

1. Make sure the free end of the ground wire is outside of the cabinet.

⚠ WARNING

Excessive Weight Hazard
 Use two or more people to move and install air conditioner.
 Failure to do so can result in back or other injury.

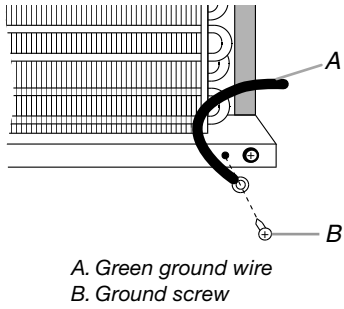
2. Insert air conditioner into cabinet.

⚠ WARNING

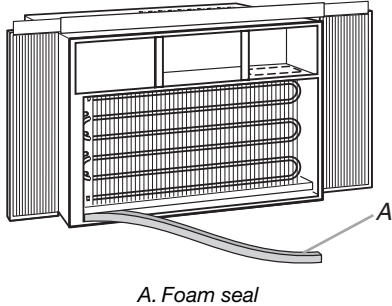


Electrical Shock Hazard
 Connect green ground wire to ground screw.
 Failure to do so can result in death or electrical shock.

3. Connect green ground wire to cabinet base with ground screw. Position ground wire pointing straight up. Put excess ground wire between coil and air conditioner cabinet.

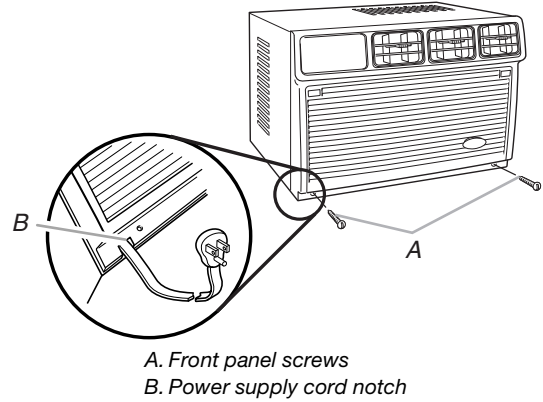


4. Install foam seal in the gap between air conditioner base and cabinet. Push foam seal in at the sides and trim any excess material.



5. Remove the 2 front panel screws from air conditioner base.
6. Insert front tabs of front panel into top of cabinet and swing front into place.

7. Attach bottom front of panel with front panel screws. Replace control knobs (on some models).
NOTE: Route power supply cord through notch in front panel.



⚠ WARNING

Electrical Shock Hazard

Plug into a grounded 3 prong outlet.

Do not remove ground prong.

Do not use an adapter.

Do not use an extension cord.

Failure to follow these instructions can result in death, fire, or electrical shock.

8. Plug into a grounded 3 prong outlet.

AIR CONDITIONER USE

Operating your air conditioner properly helps you to obtain the best possible results.

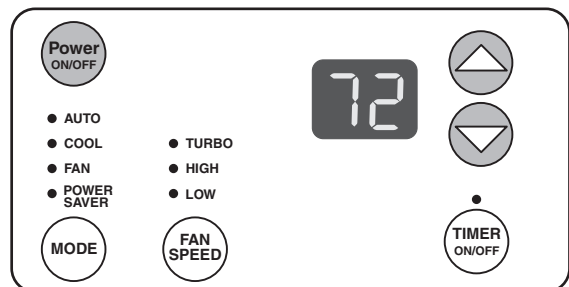
This section explains proper air conditioner operation.

IMPORTANT:

- If you turn the air conditioner off, wait at least 3 minutes before turning it back on. This prevents the air conditioner from blowing a fuse or tripping a circuit breaker.
- Do not try to operate your air conditioner in the cooling mode when outside temperature is below 65°F (18°C). The inside evaporator coil will freeze up, and the air conditioner will not operate properly.

NOTE: In the event of a power failure, your air conditioner will operate at the previous settings when the power is restored.

Starting Your Air Conditioner



1. Press POWER ON/OFF to turn on air conditioner.



NOTE: When air conditioner is turned on for the first time after it is plugged in, it will display the default settings: Cool mode, Turbo fan speed, 72°F (22°C). When it is turned on at all other times, it will display the previous settings.

2. Select mode. See “Mode.”
3. Select fan speed. See “Fan Speed.”
4. Select temperature. See “Temperature.”

Mode

1. Press MODE until you see the indicator light come on for the setting you want.
2. Choose AUTO, COOL, FAN or POWER SAVER.
 - Auto—Cools room while it automatically controls fan speed. You cannot change fan speed, but you can adjust temperature by pressing the up arrow or down arrow.
 - Cool—Cools room. You can select fan speed by pressing FAN SPEED. You can then adjust temperature by pressing the up arrow or down arrow.
 - Fan Only—Only the fan runs. Display shows “FO” (fan only).

NOTE: Fan runs on Turbo speed only.

- Power Saver—Fan runs only when cooling is needed. Fan stops running when the room temperature matches the temperature you set.

Since the fan does not circulate the room air continuously, less energy is used, but the room air is not circulated as often. Use Power Saver when you are asleep or away from home.

- AUTO
- COOL
- FAN
- POWER SAVER



Fan Speed

NOTE: Fan Speed button will operate only when Cool or Power Saver mode has been selected.

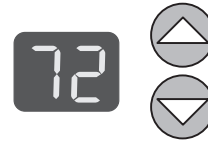
1. Press FAN SPEED until you see the indicator light come on for the setting you want.
2. Choose TURBO, HIGH or LOW.

- TURBO
- HIGH
- LOW



Temperature

Press the up arrow to raise the temperature. Each time you press or hold the up arrow, the temperature will go up 1° until it reaches 86°F (30°C).



Press the down arrow to lower the temperature. Each time you press or hold the down arrow, the temperature will go down 1° until it reaches 64°F (18°C).

To change the temperature display from °F to °C:

1. Turn the air conditioner off.
2. While the air conditioner is off, press and hold down the MODE and FAN SPEED buttons while pressing POWER ON/OFF to turn the air conditioner on. The air conditioner will turn on and display the °C settings.

NOTE: Follow these same steps to change the temperature display from °C to °F.

Timer delay

To set the Timer for a 1- to 24-hour delay until the air conditioner turns off (the air conditioner must be On):

1. Press TIMER ON/OFF. Indicator light will flash.



2. Press the up arrow or down arrow button to change delay time (1 to 24 hours).
3. Press TIMER ON/OFF again or wait 10 seconds. Indicator light will remain on.

To set the Timer to turn on the air conditioner, keeping previous settings:

1. Turn air conditioner off.
2. Press TIMER ON/OFF. Indicator light will flash.
3. Press the up arrow or down arrow button to change delay time (1 to 24 hours).
4. Press TIMER ON/OFF again or wait 10 seconds. Indicator light will remain on.

To set the Timer to turn on the air conditioner, changing the previous settings:

1. Turn air conditioner on.
2. Adjust MODE to Auto, Cool, Fan, or Power Saver.
3. Adjust FAN SPEED to Turbo, High or Low.
4. Adjust temperature between 64°F (18°C) and 86°F (30°C).
5. Wait 3 seconds before turning air conditioner off.
6. Press TIMER ON/OFF. Indicator light will flash.
7. Press the up arrow or down arrow button to change delay time (1 to 24 hours).
8. Press TIMER ON/OFF again or wait 10 seconds. Indicator light will remain on.

To clear Timer delay program:

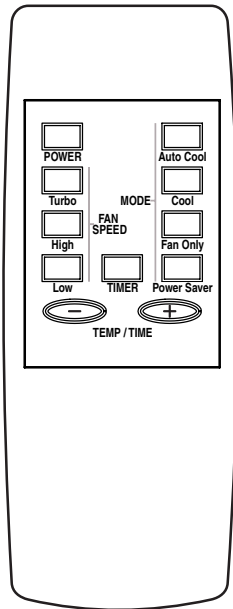
NOTE: Air conditioner can be either on or off.

Press and hold TIMER ON/OFF for 3 seconds. Indicator light will shut off.

To see the remaining time (in hours):

1. Press TIMER ON/OFF once after it has been programmed.
2. While the display is showing the remaining time, you can press the up arrow or down arrow to change delay time (1 to 24 hours).

To operate air conditioner with remote control



NOTE: Two AA batteries (not included) power the remote control. Replace batteries after 6 months of use, or when the remote control starts to lose power.

To turn the air conditioner on or off:

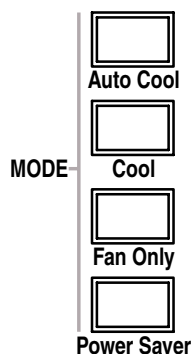
Press POWER.



To select the mode:

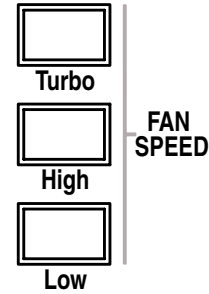
Press AUTO COOL, COOL, FAN ONLY, or POWER SAVER.

- Auto Cool— fan speed is adjusted automatically.
- Fan Only—fan speed is automatically set at Turbo.
- Cool or Power Saver—you can adjust the fan speed.



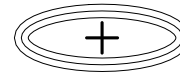
To select the fan speed (in Cool or Power Saver mode only):

Press TURBO, HIGH or LOW.



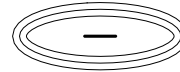
To raise the temperature:

Press the plus button. Each time you press or hold the plus button, the temperature will increase 1° until it reaches 86°F (30°C).



To lower the temperature:

Press the minus button. Each time you press or hold the minus button, the temperature will decrease 1° until it reaches 64°F (18°C).



To set the Timer for a 1- to 24-hour delay until the air conditioner turns off (the air conditioner must be On):

1. Press TIMER. Indicator light on the air conditioner will flash.



2. Press the plus or minus button to change delay time (1 to 24 hours).
3. Press TIMER again or wait 10 seconds. Indicator light on the air conditioner will remain on.

To set Timer to turn on air conditioner, keeping previous settings:

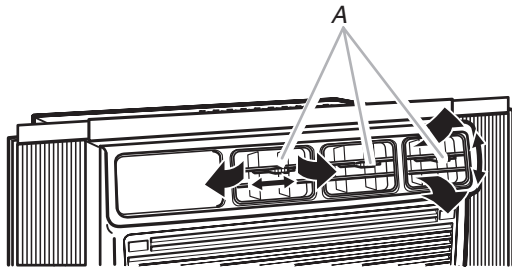
1. Turn off air conditioner.
2. Press TIMER. Indicator light on the air conditioner will flash.
3. Press the plus or minus button to change delay time (1 to 24 hours).
4. Press TIMER again or wait 10 seconds. Indicator light on the air conditioner will remain on.

To set Timer to turn on air conditioner, changing the previous settings:

1. Turn on air conditioner.
2. Adjust Mode to AUTO COOL, COOL, FAN ONLY, or POWER SAVER.
3. Adjust FAN SPEED to Turbo, High or Low.
4. Adjust temperature between 64°F (18°C) and 86°F (30°C).
5. Wait 3 seconds before turning off air conditioner.
6. Press TIMER. Indicator light on air conditioner will flash.
7. Press the plus or minus button to change delay time (1 to 24 hours).
8. Press TIMER again or wait 10 seconds. Indicator light on air conditioner will remain on.

Changing Air Direction

Use the tabs to direct the air right or left (on some models). Rotate the whole cartridge to direct air up, down or straight ahead.



A. Tabs

Normal Sounds

When your air conditioner is operating normally, you may hear sounds such as:

- Droplets of water hitting the condenser, causing a pinging or clicking sound. The water droplets help cool the condenser.
- Air movement from the fan.
- Clicks from the thermostat cycle.
- Vibrations or noise due to poor wall or window construction.
- A high-pitched hum or pulsating noise caused by the modern high-efficiency compressor cycling on and off.

AIR CONDITIONER CARE

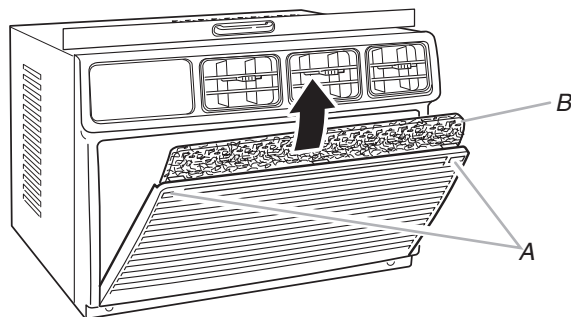
Your new air conditioner is designed to give you many years of dependable service. This section tells you how to clean and care for your air conditioner properly. Call your local authorized dealer for an annual checkup. Remember... the cost of this service call is your responsibility.

Cleaning the Air Filter

The air filter is removable for easy cleaning. A clean filter helps remove dust, lint, and other particles from the air and is important for best cooling or heating and operating efficiency. Check the filter every 2 weeks to see whether it needs cleaning.

NOTE: Do not operate the air conditioner without the filter in place.

1. Turn off air conditioner.
2. Using the indents in top of filter door, pull door down. Filter door is not removable.
3. Slide air filter up and out to remove from the filter door.



A. Indents
B. Filter

4. Use a vacuum cleaner to clean air filter. If air filter is very dirty, wash it in warm water with a mild detergent. Do not wash air filter in the dishwasher or use any chemical cleaners. Air dry filter completely before replacing to ensure maximum efficiency.
5. Slide air filter down into the filter door. Close filter door.

Cleaning the Front Panel

1. Unplug air conditioner or disconnect power.
2. Remove the air filter and clean it separately. See "Cleaning the Air Filter."
3. Wipe the front panel with a soft, damp cloth.
4. Air dry front panel completely.
5. Plug in air conditioner or reconnect power.

Repairing Paint Damage

Check once or twice a year for paint damage. This is very important, especially in areas near oceans or where rust is a problem. If needed, touch up with a good grade enamel paint.

NOTE: To reduce paint damage during the winter, install a heavy-duty cover over air conditioner cabinet. For information on ordering a heavy-duty cover, see "Accessories."

Annual Maintenance

Your air conditioner needs annual maintenance to help ensure steady, top performance throughout the year. Call your local authorized dealer to schedule an annual checkup. The expense of an annual inspection is your responsibility.

TROUBLESHOOTING

You can solve many common air conditioner problems easily, saving you the cost of a service call. Try the suggestions below to see whether you can solve your problem without outside help.

Air conditioner will not operate.

- **The power supply cord is unplugged.** Plug into a grounded 3 prong outlet. See “Electrical Requirements.”
- **A household fuse has blown or circuit breaker has tripped.** Replace the fuse or reset the circuit breaker. Plug into a grounded 3 prong outlet. See “Electrical Requirements.”
- **The Power On/Off button has not been pressed.** Press POWER ON/OFF.
- **The local power has failed.** Wait for power to be restored.

Air conditioner blows fuses or trips circuit breakers.

- **Too many appliances are being used on the same circuit.** Unplug or relocate appliances that share the same circuit.
- **Time delay fuse or circuit breaker of the wrong capacity is being used.** Replace with a time delay fuse or circuit breaker of the correct capacity. See “Electrical Requirements.”
- **An extension cord is being used.** Do not use an extension cord with this or any other appliance.
- **You are trying to restart the air conditioner too soon after turning it off.** Wait at least 3 minutes after turning air conditioner off before trying to restart the air conditioner.

Air conditioner seems to run too much.

- **The current air conditioner replaced an older model.** The use of more efficient components may cause the air conditioner to run longer than an older model, but the total energy consumption will be less. Newer air conditioners do not emit the “blast” of cold air you may be accustomed to from older units, but this is not an indication of lesser cooling capacity or efficiency. Refer to the efficiency rating (EER) and capacity rating (in BTUs/hr) marked on the air conditioner.
- **The air conditioner is in a heavily occupied room, or heat-producing appliances are in use in the room.** Use exhaust vent fans while cooking or bathing and try not to use heat-producing appliances during the hottest part of the day. A higher capacity air conditioner may be required, depending on the size of the room being cooled.

Air conditioner cycles on and off too much or does not cool.

- **MODE is set to POWER SAVER.** Use Power Saver only when you are away from home or asleep, since the fan does not circulate the room air continuously. Use Low, High or Turbo for your best comfort.
- **The air conditioner is not properly sized for your room.** Check the cooling capabilities of your room air conditioner. Room air conditioners are not designed to cool multiple rooms.
- **The filter is dirty or obstructed by debris.** Clean the filter.
- **The inside evaporator and outside condenser coils are dirty or obstructed by debris.** See “Annual Maintenance.”
- **There is excessive heat or moisture (open container cooking, showers, etc.) in the room.** Use a fan to exhaust heat or moisture from the room. Try not to use heat-producing appliances during the hottest part of the day.
- **The louvers are blocked.** Install the air conditioner in a location where the louvers are free from curtains, blinds, furniture, etc.
- **The outside temperature is below 65°F (18°C).** Do not try to operate your air conditioner in the cooling mode when the outside temperature is below 65°F (18°C).
- **The temperature of the room you are trying to cool is extremely hot.** Allow extra time for the air conditioner to cool a very hot room.
- **Windows or doors to the outside are open.** Close all windows and doors.
- **The temperature set point is not at a cool enough setting.** Adjust the temperature set point to a cooler setting by pressing the down arrow button. Set Fan Speed to TURBO.

Water drips from cabinet into your house.

- **The air conditioner is not properly leveled.** The air conditioner should slope slightly downward toward the outside. Level the air conditioner to provide a downward slope toward the outside to ensure proper drainage. See the Installation Instructions.
- NOTE:** Do not drill a hole in the bottom of the metal base and condensate pan.

ASSISTANCE OR SERVICE

To avoid unnecessary service calls, please check the "Troubleshooting" section. It may save you the cost of a service call. If you still need help, follow the instructions below.

If you need assistance or service

Call the Customer Interaction Center telephone number. Dial toll-free **1-800-253-1301**. Our consultants are available to assist you. When calling: Please know the purchase date, and the complete model and serial number of your appliance.

This information will help us better respond to your request.

Our consultants provide assistance with:

- Features and specifications on our full line of appliances
- Installation information
- Use and maintenance procedures
- Accessory and repair parts sales
- Specialized customer assistance (Spanish speaking, hearing impaired, limited vision, etc.)
- Referrals to local dealers, service companies, and repair parts distributors

Our service technicians are trained to fulfill the product warranty and provide after-warranty service, anywhere in the United States.

To locate the authorized service company in your area, you can also look in your telephone directory Yellow Pages.

If you need replacement parts

If you need to order replacement parts, we recommend that you only use factory-authorized parts. These parts will fit right and work right, because they are made to the same exacting specifications used to build every new appliance.

To locate factory-authorized parts in your area, call our Customer Interaction Center telephone number, your nearest authorized service center, or Factory Service at **1-800-442-1111** in the U.S.A.

For further assistance

If you need further assistance, you can write to ask any questions or tell us about your concerns to:

Customer Interaction Center
553 Benson Road
Benton Harbor, MI 49022-2692

Please include a daytime phone number in your correspondence.

Please record your model's information.

Whenever you call to request service on your appliance, you need to know your complete model number and serial number. You can find this information on the model and serial number label. See "Electrical Requirements" for model and serial number location.

Please record the model and serial number information below. Also, record the purchase date of your appliance and the store's name, address, and telephone number.

Model Number _____

Serial Number _____

Purchase Date _____

Store Name _____

Store Address _____

Store Phone _____

Keep this book and the sales slip together for future reference.

Accessories

You can order the following accessories for your air conditioner from your local authorized dealer or by calling **1-800-253-1301** from anywhere in the U.S.A. You will hear a recording. Follow the instructions to place an order.

Replacement air filters

A good, clean air filter is important for best cooling with least energy consumption. Your air filter should be cleaned regularly. See "Cleaning the Air Filter" section for cleaning instructions. We suggest you replace your air filter once a year.

Heavy-duty cover

If you decide to leave your air conditioner installed during the winter, a heavy-duty cover will help protect your air conditioner and reduce drafts. The outdoor cover protects against cold drafts through the unit's air passages and protects the cabinet from snow, rain, sleet, rust, and dust.

For a heavy-duty outdoor cover sized to fit your air conditioner, order Part Number 484184.

For a heavy-duty indoor cover sized to fit your air conditioner, order Part Number 4392940.

Wide Window Kit

A special Wide Window Kit is available for windows 40" (101.6 cm) to 54" (137.2 cm) wide. Use Kit No. 1162147. For models with side curtains, curtains must be removed and replaced with filler boards.

SEGURIDAD DEL ACONDICIONADOR DE AIRE

Su seguridad y la seguridad de los demás es muy importante.

Hemos incluido muchos mensajes importantes de seguridad en este manual y en su electrodoméstico. Lea y obedezca siempre todos los mensajes de seguridad.



Este es el símbolo de advertencia de seguridad.

Este símbolo le llama la atención sobre peligros potenciales que pueden ocasionar la muerte o una lesión a usted y a los demás.

Todos los mensajes de seguridad irán a continuación del símbolo de advertencia de seguridad y de la palabra "PELIGRO" o "ADVERTENCIA". Estas palabras significan:

PELIGRO

Si no sigue las instrucciones de inmediato, usted puede morir o sufrir una lesión grave.

ADVERTENCIA

Si no sigue las instrucciones, usted puede morir o sufrir una lesión grave.

Todos los mensajes de seguridad le dirán el peligro potencial, le dirán cómo reducir las posibilidades de sufrir una lesión y lo que puede suceder si no se siguen las instrucciones.

INSTRUCCIONES IMPORTANTES DE SEGURIDAD

ADVERTENCIA: Para reducir el riesgo de incendio, choque eléctrico o lesiones personales al usar su acondicionador de aire, siga estas precauciones básicas:

- Conecte a un contacto de pared de conexión a tierra de 3 terminales.
- No quite el terminal de conexión a tierra.
- No use un adaptador.
- No use un cable eléctrico de extensión.
- Desconecte el acondicionador de aire antes de darle servicio.
- Use dos o más personas para mover e instalar el acondicionador de aire.

CONSERVE ESTAS INSTRUCCIONES

REQUISITOS DE INSTALACIÓN

Herramientas y piezas

Ensamble las piezas y herramientas necesarias antes de iniciar la instalación. Lea y siga las instrucciones suministradas con cualquiera de las herramientas aquí enlistadas.

Herramientas necesarias

- Destornilladores Phillips y de hoja plana
- Nivel
- Tijeras
- Cinta para medir
- Taladro y una broca de $\frac{3}{32}$ " o más pequeña

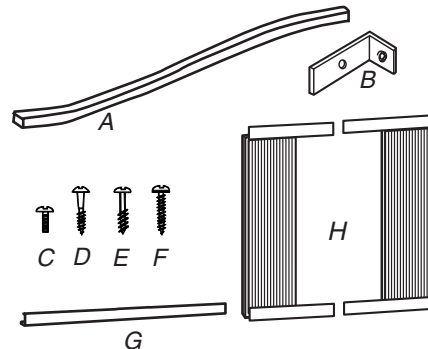
Instalación a través de la pared

Además de las herramientas enlistadas arriba, se necesitan las siguientes herramientas para la instalación a través de la pared.

- Sierra
- Sellador de la madera
- Masilla
- Madera de 1" (2,5 cm) o más pesada
- Tornillos para madera #8 x $\frac{1}{2}$ " (6)

Piezas suministradas (en algunos modelos)

Verifique que estén todas las piezas en el paquete de piezas.



- A. Obturadores de espuma (2)
- B. Soporte de seguridad para la ventana
- C. Tornillos de cabeza redonda #6 - 32 x $\frac{1}{4}$ " (2)
- D. Tornillos de cabeza redonda #8 x $\frac{3}{4}$ " (3)
- E. Tornillos de cabeza de cono achatado Phillips #10 - 12 x $\frac{3}{8}$ " (3)
- F. Tornillos de cabeza de cono achatado Phillips #8 - 18 x $\frac{3}{8}$ " (6)
- G. Canal superior
- H. Cortinas laterales (2)

NOTA: Se incluyen piezas de instalación para ventanas de guillotina de hasta 40" (101,6 cm) de ancho. Un Juego para Ventana Ancha especial está disponible de su distribuidor o centro de servicio. Vea "Accesorios".

Requisitos de ubicación

IMPORTANTE: Observe todos los códigos y reglamentos aplicables.

Verifique el lugar donde se instalará el acondicionador de aire. La instalación correcta es su responsabilidad. Asegúrese de que usted tenga todo lo necesario para una instalación correcta.

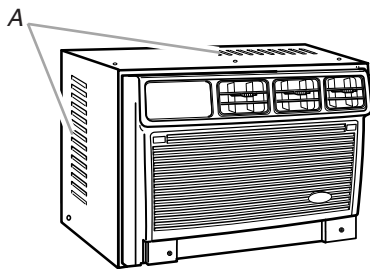
El lugar debe tener:

- Tomacorriente puesto a tierra a no más de 4 pies (122 cm) de donde el cable eléctrico sale del acondicionador de aire.

NOTA: No use un cable eléctrico de extensión.

- Libertad de movimiento del aire a las habitaciones que desea enfriar.
- Una abertura con la amplitud suficiente para el acondicionador de aire.
- Un soporte adecuado en la pared para el peso del acondicionador de aire. El acondicionador de aire pesa entre 80 y 110 libras (36,3 a 49,9 kg).

NOTA: No deben obstruirse las rejillas del gabinete. El aire debe circular libremente a través de las rejillas del gabinete.

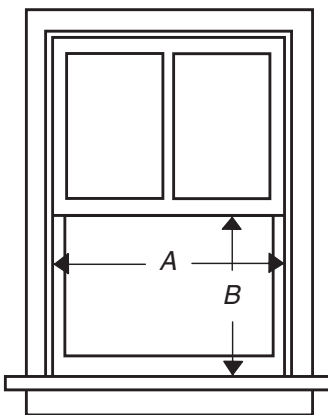


A. Rejillas del gabinete

Instalación en la ventana (en algunos modelos)

Medidas de la abertura de la ventana:

- Ancho: 28" (71,1 cm) mínimo a 40" (101,6 cm) máximo
- Altura: 16 1/4" (41,3 cm) mínimo

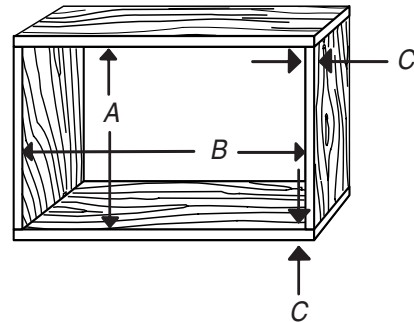


A. 28" (71,1 cm) mínimo a 40" (101,6 cm) máximo
B. 16 1/4" (41,3 cm) mínimo

Instalación a través de la pared

Las medidas de la abertura en la pared deben ser:

- Altura: 16" (40,6 cm) más el doble del espesor de la madera usada para construir el marco.
- Ancho: 22 5/8" (57,5 cm) más el doble del espesor de la madera usada para construir el marco.



A. 16" (40,6 cm) + 2 x C
B. 22 5/8" (57,5 cm) + 2 x C

Requisitos eléctricos

⚠ ADVERTENCIA



Peligro de Choque Eléctrico

Conecte a un contacto de pared de conexión a tierra de 3 terminales.

No quite el terminal de conexión a tierra.

No use un adaptador.

No use un cable eléctrico de extensión.

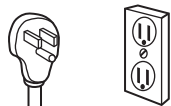
No seguir estas instrucciones puede ocasionar la muerte, incendio o choque eléctrico.

El alambre de puesta a tierra debe ser conectado a un tornillo de tierra ubicado en la esquina inferior derecha del acondicionador de aire cuando el acondicionador de aire esté en el gabinete.

Las clasificaciones eléctricas para su acondicionador de aire están enumeradas en la etiqueta de número del modelo y de serie. La etiqueta de modelo y serie se encuentra detrás del panel delantero en la pestaña frontal, sobre el área del serpentín.

Los requisitos eléctricos específicos se indican en la tabla debajo. Siga los requisitos para el tipo de enchufe en el cordón de alimentación eléctrica.

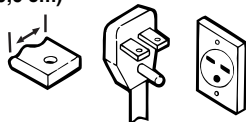
Tomacorriente para la clavija del cordón eléctrico



Requisitos de cableado

- 115 volts (103,5 mín. - 126,5 máx.)
- 0-12 amperes
- Fusible de retardo de 15 amperes o disyuntor
- Úselo solamente en un circuito con tomacorriente único.

1/4"
(0,6 cm)



- 230 volts (207 mín. - 253 máx.)
- 230/208 volts (197,6 mín. - 253 máx.)
- 0-12 amperes
- Fusible de retardo de 15 amperes o disyuntor
- Úselo solamente en un circuito con tomacorriente único.

Método recomendado para la puesta a tierra

Para su seguridad personal, este acondicionador de aire debe ser puesto a tierra. Este acondicionador de aire está equipado con un cable de suministro de energía provisto de un enchufe con tres terminales. Para reducir a un mínimo el peligro de posibles choques eléctricos, el cable debe ser enchufado en un contacto apropiado de pared de tres terminales conectado a tierra de acuerdo con todos los códigos y reglamentos locales. Si no se dispone de un tomacorriente apropiado, es responsabilidad del cliente hacer instalar un contacto con tres terminales debidamente puesto a tierra por un instalador eléctrico calificado.

Es responsabilidad del cliente:

- Llamar a un instalador eléctrico calificado.
- Asegurarse de que la instalación eléctrica sea adecuada y esté hecha de acuerdo con el Código Nacional Eléctrico, ANSI/NFPA 70, última edición, y todos los códigos y reglamentos locales.

Pueden obtenerse copias de las normas señaladas en:

National Fire Protection Association
One Batterymarch Park
Quincy, Massachusetts 02269

INSTRUCCIONES DE INSTALACIÓN

Desempaque

⚠ ADVERTENCIA

Peligro de Peso Excesivo

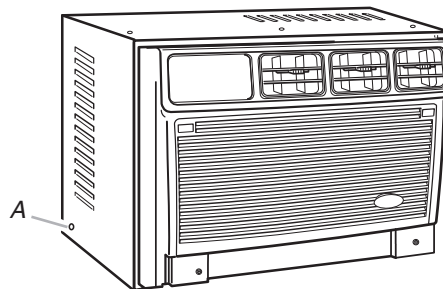
Use dos o más personas para mover e instalar el acondicionador de aire.

No seguir esta instrucción puede ocasionar una lesión en la espalda u otro tipo de lesiones.

Quite los materiales de empaque

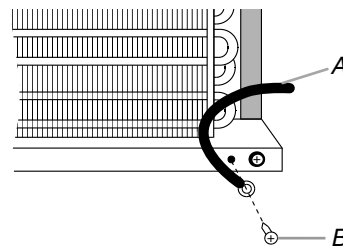
- Quite y deshágase debidamente de todos los materiales de embalaje. Quite las cintas y los residuos de goma del acondicionador de aire antes de encenderlo. Frote un poco de detergente líquido para vajillas sobre el adhesivo con los dedos. Limpie con agua tibia y seque.
- No use instrumentos filosos, alcohol para fricciones, líquidos inflamables o productos de limpieza abrasivos para eliminar los restos de cinta o goma. Estos productos pueden dañar la superficie de su acondicionador de aire.

- Trate el acondicionador de aire con cuidado.
1. Saque el acondicionador de aire de la caja y colóquelo sobre el cartón.
 2. Quite el tornillo de embalaje de la pared lateral del gabinete.



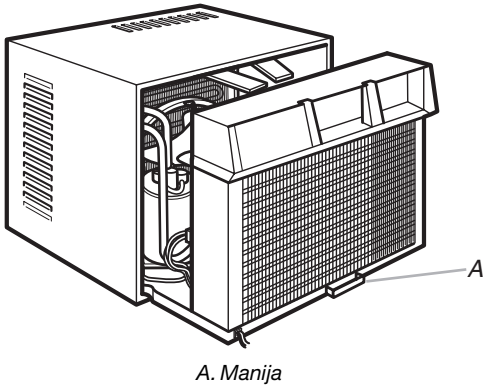
A. Tornillo de embalaje

3. Quite las perillas del control (en algunos modelos).
4. Quite el panel delantero del acondicionador de aire y apártelo.
5. Quite el tornillo de puesta a tierra y el alambre de puesta a tierra del frente de la base del acondicionador de aire. Guarde el tornillo de puesta a tierra.



A. Alambre verde de conexión a tierra
B. Tornillo de puesta a tierra

- Tire de la manija para deslizar el acondicionador de aire fuera del gabinete. Coloque el acondicionador de aire sobre el cartón.



NOTA: No levante, empuje, jale ni remueva ningún poliestireno expandido (espuma) del interior del acondicionador de aire. No es un material de empaque.

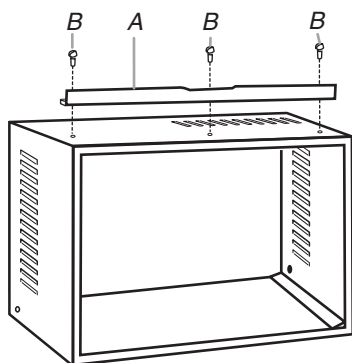
Instalación del acondicionador de aire

- Trate el acondicionador de aire con cuidado.
- Asegúrese de que el gabinete del acondicionador de aire no se caiga de la abertura durante la instalación o al quitarlo.
- La parte de donde sale el cordón eléctrico del acondicionador de aire debe colocarse a no más de 4 pies (122 cm) de un tomacorriente de conexión a tierra de 3 terminales.

Instalación en una ventana (en algunos modelos)

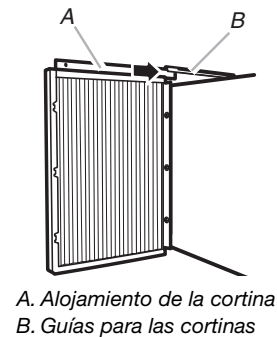
NOTA: Sujete el canal superior y las cortinas laterales al gabinete del acondicionador de aire antes de colocar el gabinete en la ventana.

- Ubique la bolsa provista con tornillos.
- Coloque el canal superior en la parte superior del gabinete del acondicionador de aire, alineando los 3 orificios en el canal superior con los 3 orificios en la parte superior del gabinete del acondicionador de aire.
- Utilice 3 tornillos Phillips de cabeza de cono achatado #10 - 12 x $\frac{3}{8}$ " para fijar el canal superior al gabinete del acondicionador de aire.

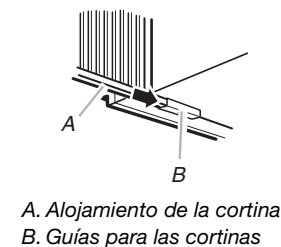


- Inserte la parte superior y luego la parte inferior del alojamiento de la cortina derecha en las guías superior e inferior para cortinas en el gabinete del acondicionador de aire.

Vista posterior

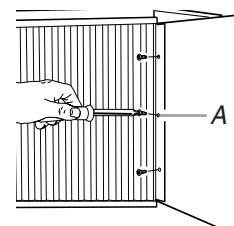


Vista inferior



- Extienda la cortina derecha hacia fuera de manera que pueda insertar el primer tornillo a través del orificio del medio de la cortina. Utilice tornillos de cabeza de cono achatado #8 - 18 x $\frac{3}{8}$ " para atornillar la cortina al orificio del medio en el gabinete del acondicionador de aire.

NOTA: Se requiere este tornillo para ajustar correctamente la cortina (de arriba hacia abajo) al gabinete del acondicionador de aire.



- Con la cortina derecha todavía extendida, inserte tornillos de cabeza de cono achatado #8 - 18 x $\frac{3}{8}$ " en las ranuras superior e inferior de la cortina. Atornille la cortina a los orificios superior e inferior en el gabinete del acondicionador de aire.

NOTA: Algunas cortinas pueden tener dos ranuras en cada extremo. Usted podrá ver un orificio de montaje a través de la ranura correcta.

- Deslice el alojamiento de la cortina en las guías lo más lejos posible.
- Repita los pasos anteriores para la cortina izquierda.

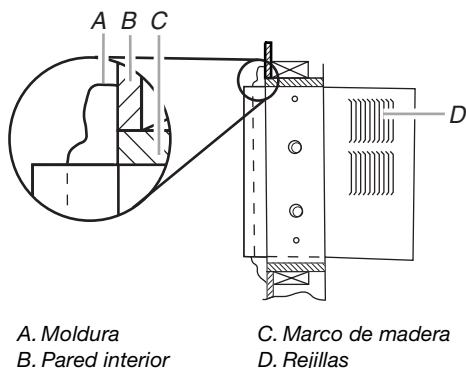
Instalación a través de la pared

NOTAS:

- Es responsabilidad y obligación del cliente hacer que este producto sea instalado por un técnico calificado familiarizado con instalaciones a través de la pared de acondicionadores de aire de habitaciones.
- La parte de donde sale el cordón eléctrico del acondicionador de aire debe colocarse a no más de 4 pies (122 cm) de un tomacorriente de conexión a tierra de 3 terminales.
- No bloquee las rejillas.

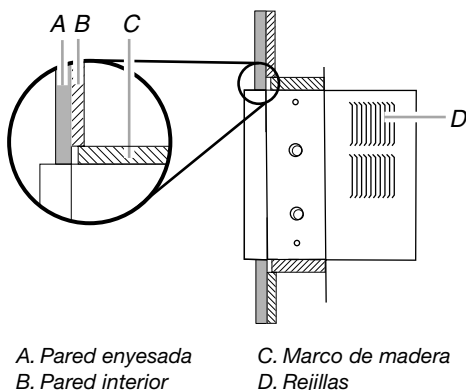
Opción 1—Moldura de madera, metal o plástico

Cuando utilice una moldura de madera, metal o plástico, el marco de madera debe estar alineado con la pared interior como se muestra.



Opción 2—Pared enyesada sin moldura

Si la pared enyesada va a nivelarse con el gabinete y no se utiliza ninguna moldura, el marco de madera debe colocarse $\frac{1}{2}$ " (13 mm) dentro de la pared interior.

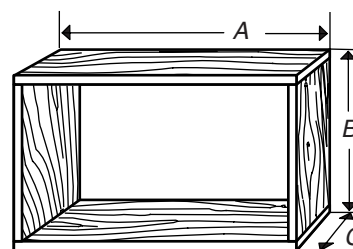


1. Construya el marco de madera. Vea "Requisitos de ubicación" para las dimensiones.
2. Mida el ancho y la altura exteriores del marco para determinar las dimensiones de la abertura de la pared.
3. Corte una abertura a través de la pared. Quite y guarde el aislamiento.

NOTAS:

- Las dimensiones de la profundidad dependen del espesor de la pared y del tipo de moldura.
- No bloquee las rejillas que están en el gabinete del acondicionador de aire.

- Utilice madera de 1" (2,5 cm) o más pesada para el marco de madera.



A. Ancho exterior
B. Altura exterior
C. Profundidad

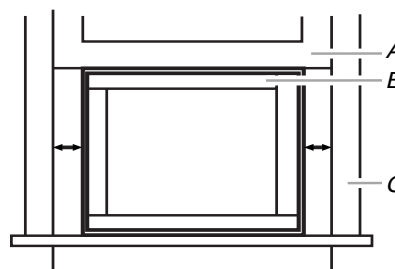
4. Aplique un sellador de madera a la superficie exterior expuesta.
5. Inserte el marco en la abertura en la pared. Cuadre y nivele el marco.
6. Sujete con firmeza el marco a la pared.

Colocación del gabinete del acondicionador de aire

- Trate el acondicionador de aire con cuidado.
- Asegúrese de que el gabinete del acondicionador de aire no se caiga de la abertura durante la instalación o al quitarlo.
- La parte donde sale el cordón eléctrico del acondicionador de aire debe colocarse a no más de 4 pies (122 cm) de un tomacorriente de conexión a tierra de 3 terminales.
- No bloquee las rejillas que están en el panel del exterior.
- No bloquee las rejillas que están en el exterior del acondicionador de aire.

Instalación en una ventana (en algunos modelos)

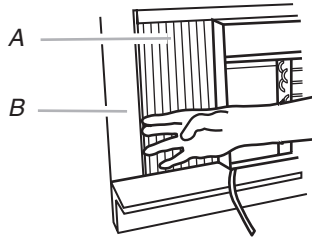
1. Centre el gabinete vacío en la ventana. Verifique que el riel inferior del acondicionador de aire se encuentre detrás y contra la parte posterior del obturador de la ventana. Sostenga con firmeza el gabinete del acondicionador de aire. Baje el marco de la ventana para mantener el gabinete en su lugar.
2. Mida la distancia del lado derecho del gabinete a la parte interior del canal de la ventana.
3. Repita el procedimiento para el lado izquierdo. Ajuste el gabinete hasta que la distancia a cada lado sea igual.



A. Marco de la ventana
B. Gabinete vacío
C. Canal de la ventana

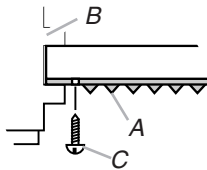
- Verifique que el gabinete del acondicionador de aire esté inclinado hacia afuera para que el agua corra hacia el exterior.
- Tire de la cortina izquierda hacia afuera hasta que encaje en el canal de la ventana. Utilice una broca de barrena de $\frac{3}{32}$ " para taladrar un primer orificio en el alojamiento de la cortina y dentro del marco inferior de la ventana.

Vista frontal



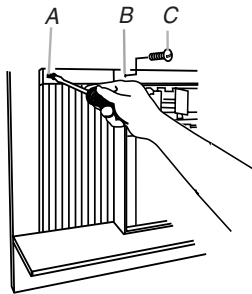
A. Cortina izquierda
B. Canal de la ventana

Vista superior



A. Cortina izquierda
B. Canal de la ventana
C. Tornillo de cabeza redonda #8 x $\frac{3}{4}$ "

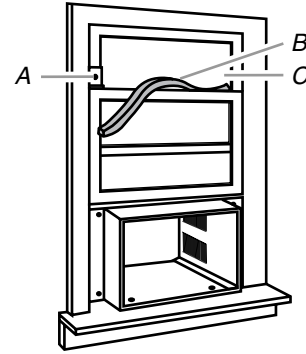
- Inserte uno de los tornillos de cabeza redonda #8 x $\frac{3}{4}$ " a través del orificio, en el marco inferior de la ventana. Inserte uno de los tornillos de cabeza de cono achatado #6 - 32 x $\frac{1}{4}$ " a través del orificio roscado, en la parte superior de la cortina.
- Repita el procedimiento para la cortina derecha.



A. Orificio para tornillo de cabeza redonda #8 x $\frac{3}{4}$ "
B. Orificio roscado
C. Tornillo de cabeza de cono achatado #6 - 32 x $\frac{1}{4}$ "

- Inserte el obturador de espuma de la ventana detrás de la parte superior del marco de la ventana inferior y contra el cristal de la ventana superior.
- Coloque el soporte de seguridad de la ventana en la parte superior de la ventana inferior y contra el marco de la ventana superior.
- Utilice una broca de barrena de $\frac{3}{32}$ " para perforar un orificio para comenzar a través del orificio en el soporte y en el marco de la ventana.

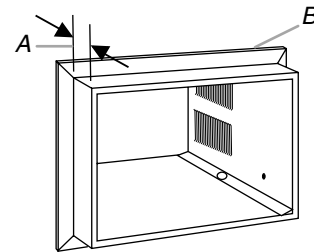
- Fije el soporte de seguridad de la ventana al marco de la ventana con un tornillo de cabeza redonda #8 x $\frac{3}{4}$ " para asegurar la ventana en su lugar.



A. Soporte de seguridad de ventana
B. Obturador de espuma
C. Cristal de la ventana superior

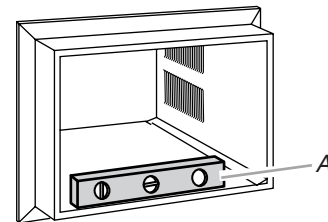
Instalación a través de la pared

- Inserte el gabinete en la abertura de la pared con el marco. La parte superior del gabinete debe extenderse $\frac{1}{2}$ " (13 mm) dentro de la habitación. Si hay un resguardo, el gabinete debe extenderse $\frac{1}{2}$ " (13 mm) más allá del resguardo.



A. $\frac{1}{2}$ " (13 mm) extendido dentro de la habitación
B. Resguardo

- Use un nivel para verificar que el gabinete esté nivelado de lado a lado.



A. Nivel

- Verifique que el gabinete del acondicionador de aire esté inclinado hacia afuera para que el agua corra hacia afuera.
 - Vuelva a utilizar el aislamiento para sellar la abertura entre el gabinete y el marco.
 - Utilice los orificios existentes y 6 tornillos de madera de #8 x $\frac{1}{2}$ " (no provistos) para fijar el gabinete al marco.
- NOTA:** No apriete demasiado los tornillos para que el gabinete no se deforme perjudicando el sellado del aire entre el gabinete y el acondicionador de aire.
- Pásele masilla a todas las aberturas exteriores de la pared alrededor del acondicionador de aire.

Complete la instalación

NOTA: Trate el acondicionador de aire con cuidado.

1. Asegúrese de que el extremo libre del alambre a tierra esté fuera del gabinete.

⚠ ADVERTENCIA

Peligro de Peso Excesivo

Use dos o más personas para mover e instalar el acondicionador de aire.

No seguir esta instrucción puede ocasionar una lesión en la espalda u otro tipo de lesiones.

2. Inserte el acondicionador de aire en el gabinete.

⚠ ADVERTENCIA

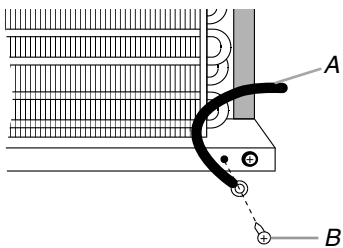


Peligro de Choque Eléctrico

Conecte el alambre verde de conexión a tierra al tornillo de conexión a tierra.

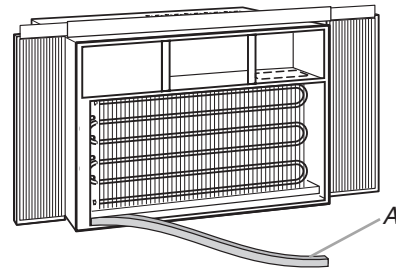
No seguir esta instrucción puede ocasionar la muerte o choque eléctrico.

3. Conecte el alambre de puesta a tierra verde a la base del gabinete con el tornillo de puesta a tierra. Coloque el alambre de puesta a tierra apuntando directamente hacia arriba. Ponga lo que sobra del alambre de puesta a tierra entre el serpentín y el gabinete del acondicionador de aire.



A. Alambre verde de conexión a tierra
B. Tornillo de puesta a tierra

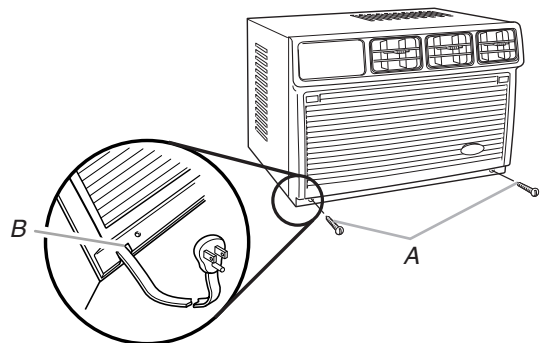
4. Instale el obturador de espuma de la ventana en el espacio entre la base del acondicionador de aire y el gabinete. Empuje el obturador en los costados y elimine cualquier exceso de material.



A. Obturador de espuma

5. Quite los dos tornillos del panel delantero de la base del acondicionador de aire.
6. Inserte las lengüetas frontales del panel delantero en la parte superior del gabinete y oscile el frente para colocarlo en su lugar.
7. Fije el frente inferior del panel con los tornillos del panel delantero.

NOTA: Haga pasar el cable de alimentación por la muesca en el panel delantero.



A. Tornillos del panel delantero
B. Muesca del cable de alimentación

⚠ ADVERTENCIA



Peligro de Choque Eléctrico

Conecte a un contacto de pared de conexión a tierra de 3 terminales.

No quite el terminal de conexión a tierra.

No use un adaptador.

No use un cable eléctrico de extensión.

No seguir estas instrucciones puede ocasionar la muerte, incendio o choque eléctrico.

8. Conecte a un contacto de pared de conexión a tierra de 3 terminales.

CÓMO USAR SU ACONDICIONADOR DE AIRE

Operar debidamente su acondicionador de aire le permite obtener los mejores resultados posibles.

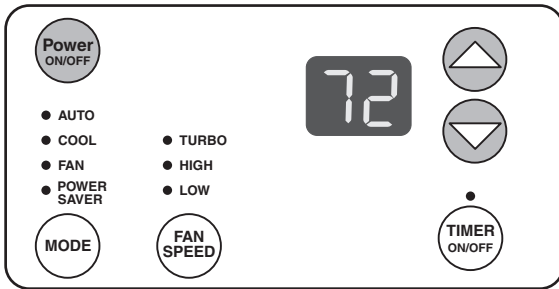
Esta sección le explica cómo operar su acondicionador de aire debidamente.

IMPORTANTE:

- Si usted apaga el acondicionador de aire, espere por lo menos 3 minutos antes de volver a ponerlo en marcha. Esto evitará que se queme un fusible del hogar o se dispare un disyuntor de circuito a causa del acondicionador de aire.
- No trate de operar su acondicionador de aire en el modo de enfriamiento cuando la temperatura exterior sea menor de 65°F (18°C). El serpentín interior del evaporador se congelará y el acondicionador de aire no funcionará debidamente.

NOTA: En caso de corte de electricidad, el acondicionador de aire funcionará con los ajustes previos cuando se reanude la electricidad.

Cómo poner en marcha su acondicionador de aire



1. Oprima el botón de POWER ON/OFF (Encendido/apagado) para encender el acondicionador de aire.



NOTA: Cuando se enciende el acondicionador de aire por primera vez después de enchufarlo, mostrará las posiciones implícitas: modo Cool (Frío), velocidad de ventilación Turbo, 72°F (22°C). Todas las otras veces que se encienda, mostrará las posiciones anteriores.

2. Seleccione modo. Vea "Mode (Modo)".
3. Seleccione velocidad de ventilación. Vea "Fan Speed (Velocidad de ventilación)".
4. Seleccione temperatura. Vea "Temperatura".

Mode (Modo)

1. Oprima el botón de MODE (Modo) hasta que se encienda la luz del indicador para la posición que usted desea.
2. Seleccione AUTO (Automático), COOL (Enfriamiento), FAN (Ventilación) o POWER SAVER (Ahorro de energía).
 - Auto (Automático)—Enfría la sala mientras automáticamente controla la velocidad de ventilación. Usted no puede cambiar la velocidad de ventilación, pero puede ajustar la temperatura oprimiendo la flecha hacia arriba o la flecha hacia abajo.
 - Cool (Enfriamiento)—Enfría la sala. Usted puede seleccionar la velocidad de ventilación oprimiendo FAN SPEED (Velocidad del ventilación). Luego podrá ajustar la temperatura oprimiendo la flecha hacia arriba o la flecha hacia abajo.
 - Fan Only (Sólo ventilación)—Sólo funciona el ventilador. La pantalla muestra "FO" (Sólo ventilación).

NOTA: El ventilador funciona en velocidad TURBO solamente.

- Power Saver (Ahorro de energía)—El ventilador funciona únicamente cuando se necesita enfriamiento. El ventilador deja de funcionar cuando la temperatura de la sala es igual a la temperatura que usted seleccionó.

Ya que el ventilador no hace circular continuamente el aire de la habitación, se consume menos energía, pero el aire de la habitación circula con menos frecuencia. Utilice el modo de Power Saver cuando esté fuera del hogar o durmiendo.

- AUTO
- COOL
- FAN
- POWER SAVER



Fan Speed (Velocidad de ventilación)

NOTA: El botón de FAN SPEED funcionará únicamente cuando se ha seleccionado el modo de Cool o Power Saver.

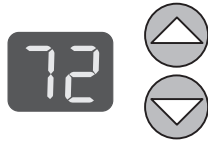
1. Oprima FAN SPEED hasta que vea la luz del indicador para la posición que usted desea.
2. Seleccione TURBO, HIGH o LOW.

- TURBO
- HIGH
- LOW



Temperatura

Oprima la flecha hacia arriba para subir la temperatura. Cada vez que usted oprima o sostiene el botón la flecha hacia arriba, la temperatura subirá 1°, hasta alcanzar a 86°F (30°C).



Oprima la flecha hacia abajo para bajar la temperatura. Cada vez que usted oprima o sostiene el botón la flecha hacia abajo, la temperatura bajará 1°, hasta alcanzar a 64°F (18°C).

Para cambiar la pantalla de la temperatura de °F a °C:

1. Apague el acondicionador de aire.
2. Mientras el acondicionador de aire esté apagado, presione y sostenga los botones de MODE (Modo) y FAN SPEED (Velocidad de ventilación) a la vez que presiona POWER ON/OFF (Encendido/Apagado). El acondicionador de aire se encenderá y aparecerán en la pantalla los ajustes de °C.

NOTA: Siga estos mismos pasos para cambiar la pantalla de la temperatura de °C a °F.

Retardo del Temporizador

Para programar el temporizador para un retardo de 1 a 24 horas hasta que el acondicionador de aire se apague (el acondicionador de aire tiene que estar Encendido):

1. Oprima TIMER ON/OFF (Temporizador—encendido/apagado). La luz del indicador se encenderá intermitentemente.



2. Oprima el botón con la flecha hacia arriba o la flecha hacia abajo para cambiar el tiempo de retardo (de 1 a 24 horas).
3. Oprima de nuevo TIMER ON/OFF (Temporizador—encendido/apagado) o espere 10 segundos. La luz del indicador permanecerá encendida.

Para programar el temporizador de manera que el acondicionador de aire se encienda manteniendo los ajustes previos:

1. Apague el acondicionador de aire.
2. Oprima TIMER ON/OFF (Temporizador—encendido/apagado). La luz del indicador se encenderá intermitentemente.
3. Oprima la flecha hacia arriba o la flecha hacia abajo para cambiar el tiempo de retardo (de 1 a 24 horas).
4. Oprima de nuevo TIMER ON/OFF (Temporizador—encendido/apagado) o espere 10 segundos. La luz del indicador permanecerá encendida.

Para programar el temporizador hasta que el acondicionador de aire se encienda cambiando los ajustes previos:

1. Encienda el acondicionador de aire.
2. Ajuste el MODE a Auto, Cool, Fan, o Power Saver.
3. Ajuste el FAN SPEED (Velocidad de ventilación) a Turbo, High o Low.
4. Ajuste la temperatura entre 64°F (18°C) y 86°F (30°C).
5. Espere 3 segundos antes de apagar el acondicionador de aire.
6. Oprima TIMER ON/OFF (Temporizador—encendido/apagado). La luz del indicador se encenderá intermitentemente.
7. Oprima la flecha hacia arriba o la flecha hacia abajo para cambiar el tiempo de retardo (de 1 a 24 horas).
8. Oprima TIMER ON/OFF (Temporizador—encendido/apagado) o espere 10 segundos. La luz del indicador permanecerá encendida.

Para borrar la programación del tiempo de retardo del TIMER (Temporizador):

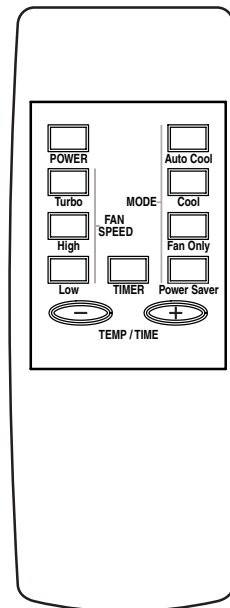
NOTA: El acondicionador de aire puede estar encendido o apagado.

Mantenga oprimido TIMER ON/OFF (Temporizador—encendido/apagado) durante 3 segundos. La luz del indicador se apagará.

Para ver el tiempo restante (en horas):

1. Oprima TIMER ON/OFF (Temporizador—encendido/apagado) una vez después de que haya sido programado.
2. Mientras la pantalla muestra el tiempo restante, usted puede oprimir la flecha hacia arriba o la flecha hacia abajo para aumentar o disminuir el tiempo (de 1 a 24 horas).

Para poner en marcha el acondicionador de aire con el control remoto



NOTA: Dos pilas AA (no incluidas) suministran energía al control remoto. Reemplace las pilas después de seis meses de uso, o cuando el control remoto empiece a perder energía.

Para encender o apagar el acondicionador de aire:

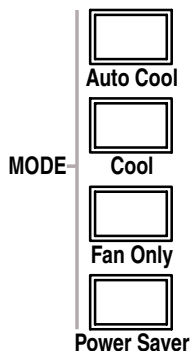
Oprima POWER (Energía).



Para seleccionar el modo:

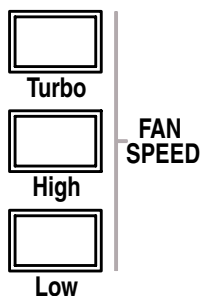
Oprima el botón AUTO COOL (Enfriamiento automático), COOL (Enfriamiento), FAN ONLY (Sólo ventilación) o POWER SAVER (Ahorro de energía).

- Auto (Automático)—la velocidad de ventilación se ajusta automáticamente.
- Fan Only (Sólo ventilación)— la velocidad de ventilación se ajusta automáticamente en Turbo.
- Cool (Enfriamiento) o Power Saver (Ahorro de energía)— usted puede ajustar la velocidad de ventilación.



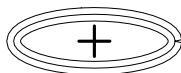
Para seleccionar la velocidad de ventilación (solamente en el modo de Cool o Power Saver)

Oprima TURBO, HIGH o LOW.



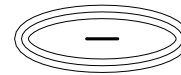
Para subir la temperatura:

Oprima el botón de más. Cada vez que usted oprime o sostiene el botón de más, la temperatura sube 1° hasta alcanzar a 86°F (30°C).



Para bajar la temperatura:

Oprima el botón de menos. Cada vez que usted oprime o sostiene el botón de menos, la temperatura baja 1° hasta alcanzar a 64°F (18°C).



Para programar el temporizador para un retardo de 1 a 24 horas hasta que el acondicionador de aire se apague (el acondicionador de aire tiene que estar Encendido):

1. Oprima TIMER (Temporizador). La luz del indicador en el acondicionador de aire se encenderá intermitentemente.



2. Oprima el botón de más o menos para cambiar el tiempo de retardo (de 1 a 24 horas).
3. Oprima de nuevo TIMER o espere 10 segundos. La luz del indicador en el acondicionador de aire permanecerá encendida.

Para programar el temporizador de manera que el acondicionador de aire se encienda manteniendo los ajustes previos:

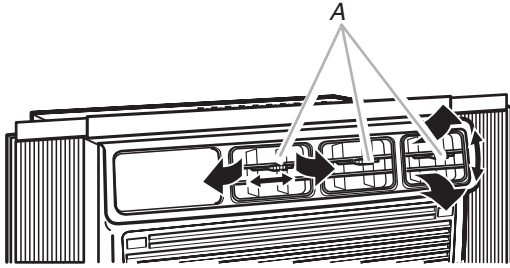
1. Apague el acondicionador de aire.
2. Oprima TIMER. La luz del indicador en el acondicionador de aire se encenderá intermitentemente.
3. Oprima el botón de más o menos para cambiar el tiempo de retardo (de 1 a 24 horas).
4. Oprima de nuevo TIMER o espere 10 segundos. La luz del indicador en el acondicionador de aire permanecerá encendida.

Para programar el temporizador de manera que el acondicionador de aire se encienda cambiando los ajustes previos:

1. Encienda el acondicionador de aire.
2. Ajuste el Mode a AUTO COOL, COOL, FAN ONLY o POWER SAVER.
3. Ajuste el FAN SPEED (Velocidad de ventilación) a Turbo, High (Alta) or Low (Baja).
4. Ajuste la temperatura entre 64°F (18°C) y 86°F (30°C).
5. Espere 3 segundos antes de apagar el acondicionador de aire.
6. Oprima TIMER. La luz del indicador en el acondicionador de aire se encenderá intermitentemente.
7. Oprima el botón de más o menos para cambiar el tiempo de retardo (de 1 a 24 horas).
8. Oprima de nueva TIMER o espere 10 segundos. La luz del indicador en el acondicionador de aire permanecerá encendida.

Cómo cambiar la dirección del aire

Use las lengüetas para dirigir el aire hacia la derecha, o hacia la izquierda (en algunos modelos). Gire el cartucho completo para dirigir el aire hacia arriba, hacia abajo o directamente hacia adelante.



A. Lengüetas

Sonidos normales

Cuando el acondicionador de aire está funcionando normalmente, usted podrá escuchar sonidos como:

- Gotas de agua que caen sobre el condensador, produciendo “tintineos” o “chasquidos”. Las gotas de agua ayudan a enfriar el condensador.
- El movimiento del aire que sale del ventilador.
- Chasquidos del ciclo del termostato.
- Vibraciones o sonidos debidos a deficiencias en la construcción de la pared o ventana.
- Un zumbido agudo o un ruido pulsante producido por la alternación de los ciclos del moderno compresor de alta eficiencia.

CUIDADO DE SU ACONDICIONADOR DE AIRE

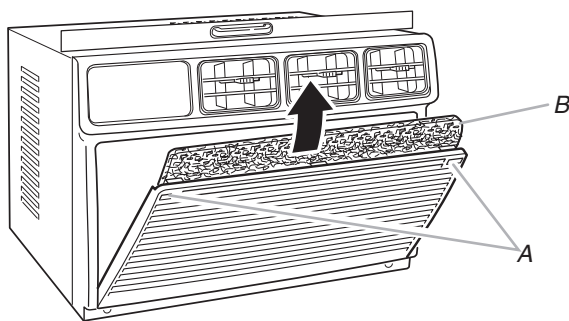
Su nuevo acondicionador de aire está diseñado para darle muchos años de servicio confiable. Esta sección le ofrece la información acerca de la limpieza adecuada y el cuidado de su acondicionador de aire. Llame al vendedor autorizado de su localidad para un chequeo anual. Acuérdesese...el precio de este servicio es su responsabilidad.

Limpieza del filtro de aire

El filtro de aire se puede desmontar para facilitar su limpieza. Un filtro limpio ayuda a quitar el polvo, las pelusas y otras partículas del aire, y es importante para que el aparato caliente, opere y enfríe más eficientemente. Revise el filtro cada dos semanas para ver si necesita limpieza.

NOTA: No haga funcionar el acondicionador de aire si el filtro no está colocado en su lugar.

1. Apague el acondicionador de aire.
2. Usando las muescas que están en la parte superior de la puerta del filtro, empuje la puerta hacia abajo. La puerta del filtro no es desmontable.
3. Deslice el filtro hacia arriba y hacia el exterior para sacarlo de la puerta del filtro.



A. Muecas

B. Filtro

4. Limpie el filtro usando una aspiradora. Si está muy sucio, lave el filtro con agua tibia y un detergente suave. No lave el filtro de aire en la lavavajillas ni use limpiadores químicos. Seque bien el filtro al aire antes de colocarlo nuevamente para asegurarse la máxima eficiencia.
5. Deslice el filtro hacia abajo en la puerta del filtro. Cierre la puerta del filtro.

Limpieza del panel delantero

1. Desenchufe el acondicionador de aire o desconecte el suministro de energía.
2. Quite el filtro de aire y límpielo por separado. Vea “Limpieza del filtro de aire”.
3. Limpie el panel delantero con un paño suave y húmedo.
4. Seque el panel delantero al aire completamente.
5. Enchufe el acondicionador de aire o reconecte el suministro de energía.

Reparación de la pintura dañada

Revise una o dos veces al año si hay daños en la pintura. Esto es muy importante, especialmente en lugares que están cerca de los océanos o donde la herrumbre es un problema. Si es necesario, retoque con un esmalte de buena calidad.

NOTA: Para reducir el daño a la pintura durante el invierno, instale una cubierta resistente sobre el gabinete del acondicionador de aire. Para obtener información sobre cómo pedir una cubierta resistente, vea la sección “Accesorios”.

Mantenimiento anual

Su acondicionador de aire necesita mantenimiento anual para ayudar a asegurar un rendimiento constante de la mejor calidad durante todo el año. Llame al vendedor autorizado de su localidad para hacer una cita para el chequeo anual. El precio del chequeo anual es su responsabilidad.

SOLUCIÓN DE PROBLEMAS

Usted puede resolver fácilmente muchos problemas frecuentes del acondicionador de aire ahorrándose el costo de una llamada de servicio. Pruebe las sugerencias que se incluyen a continuación para ver si puede resolver el problema sin ayuda.

Su acondicionador de aire no funciona.

- **El cable de alimentación eléctrica está desconectado.** Conecte a un contacto de pared de conexión a tierra de 3 terminales. Vea “Requisitos eléctricos”.
- **Se ha fundido un fusible de la casa o disparado un disyuntor.** Reemplace el fusible o reposicione el disyuntor. Conecte a un contacto de pared de conexión a tierra de 3 terminales. Vea “Requisitos eléctricos”.
- **No se ha presionado el botón de POWER ON/OFF (Encendido/apagado).** Presione POWER ON/OFF.
- **Se ha interrumpido la energía eléctrica en su localidad.** Espere que se restablezca la energía eléctrica.

El acondicionador de aire funde los fusibles o dispara los disyuntores.

- **Se están usando muchos aparatos en el mismo circuito.** Desconecte o ponga en otro lugar los aparatos que estén usando el mismo circuito.
- **Se está usando un fusible de retardo o un disyuntor con la capacidad incorrecta.** Reemplácelo con un fusible de retardo o un disyuntor con la capacidad correcta. Vea “Requisitos eléctricos”.
- **Se está usando un cable eléctrico de extensión.** No use un cable eléctrico de extensión con este o cualquier otro aparato.
- **Usted está tratando de volver a poner en marcha el acondicionador de aire muy poco tiempo después de apagarlo.** Espere por lo menos 3 minutos antes de poner en marcha el acondicionador de aire después de apagarlo.

Parece que el acondicionador de aire funciona excesivamente.

- **Su actual acondicionador de aire reemplazó un modelo viejo.** El uso de componentes más eficientes puede hacer que el acondicionador de aire funcione por más tiempo que su antiguo modelo, pero el consumo total de energía será menor. Los acondicionadores de aire más nuevos no emiten las “ráfagas” de aire frío a las que usted estaba acostumbrado con sus unidades anteriores, pero esto no es indicio de menor capacidad o eficiencia en el enfriamiento. Verifique el régimen de eficiencia (EER) y el régimen de capacidad (en BTUs/hr) que se indican en el acondicionador de aire.
- **La unidad se encuentra en una habitación muy congestionada o se están usando en la misma habitación aparatos que generan calor.** Use ventiladores aspiradores cuando esté cocinando o bañándose y trate de no usar aparatos que generan calor durante las horas más calurosas del día. Podría necesitar un acondicionador de aire con más capacidad, dependiendo del tamaño de la habitación que se desea enfriar.

La unidad se enciende y se apaga demasiado, o no enfría.

- **El MODE está puesto en POWER SAVER (Ahorro de energía).** Utilice el modo de Power Saver únicamente cuando esté fuera de su hogar o durmiendo, debido a que el ventilador no hace circular el aire de la sala continuamente. Para mayor comodidad use Low, High o Turbo.
- **El acondicionador de aire no tiene el tamaño adecuado para su habitación.** Verifique la capacidad de enfriamiento de su acondicionador de aire. Los acondicionadores de aire para habitaciones no están diseñados para enfriar varias habitaciones.
- **El filtro está sucio u obstruido por escombros.** Limpie el filtro.
- **El evaporador interno y los serpentines del condensador externo están sucios u obstruidos por escombros.** Vea la sección “Mantenimiento anual”.
- **Hay demasiado calor o humedad (se está cocinando en recipientes abiertos, duchas, etc.) en la habitación.** Use un ventilador para eliminar el calor o la humedad de la habitación. Trate de no usar aparatos que generan calor durante las horas más calurosas del día.
- **Las rejillas están bloqueadas.** Instale el acondicionador de aire en un lugar donde las rejillas no estén bloqueadas por cortinas, persianas, muebles, etc.
- **La temperatura exterior es inferior a los 65°F (18°C).** No trate de poner en marcha el acondicionador de aire cuando la temperatura exterior sea inferior a los 65°F (18°C).
- **La temperatura de la habitación que está tratando de enfriar está demasiado caliente.** Deje pasar más tiempo para que el acondicionador de aire enfríe una habitación muy caliente.
- **Están abiertas ventanas o puertas que dan al exterior.** Cierre todas las puertas y ventanas.
- **El control de la temperatura no está en una posición lo suficientemente fría.** Ajuste la temperatura a una posición fría oprimiendo el botón con la flecha hacia abajo. Ponga Fan Speed en TURBO.

Se filtra agua del gabinete a su casa.

- **El acondicionador de aire no está debidamente nivelado.** El acondicionador de aire debe inclinarse ligeramente hacia abajo, hacia el exterior. Nivele el acondicionador de aire de manera que tenga una inclinación hacia abajo, hacia el exterior para asegurar el debido desagüe. Vea las instrucciones de instalación.
- NOTA:** No perforo orificios en la parte inferior de la base de metal o del colector de condensado.

AYUDA O SERVICIO TÉCNICO

Para evitar llamadas solicitando servicio innecesarias, revise la sección de "Solución de problemas". Podría ahorrarle el costo de una llamada solicitando servicio. Si aún necesita ayuda, siga las siguientes instrucciones.

Si necesita ayuda o servicio técnico

Llame a nuestro centro de servicio autorizado a nuestro Centro de interacción del cliente. Llame gratis al **1-800-253-1301** en los EE. UU. Nuestros consultores están disponibles para ayudarlo.

Cuando llame, tenga a mano la fecha de compra y el número de modelo y de serie completos de su aparato.

Esta información nos ayudará a atenderle mejor.

Nuestros consultores le proporcionan ayuda para:

- Características y especificaciones para nuestra línea completa de aparatos electrodomésticos
- Información sobre instalación
- Procedimientos de uso y mantenimiento
- Ventas de accesorios y refacciones
- Asistencia especializada al cliente (asistencia en español, para personas con problemas auditivos, problemas de la vista, etc.)
- Direcciones de vendedores, compañías de servicio y distribuidores de refacciones en su localidad.

Nuestros técnicos en servicio están capacitados para satisfacer la garantía del producto y proporcionar servicios posteriores a la garantía, en cualquier parte de los Estados Unidos.

Para localizar a una compañía de servicios autorizada en su área, puede buscar en las páginas amarillas de su guía telefónica.

Si necesita refacciones

Si necesita pedir refacciones, le recomendamos que utilice únicamente partes autorizadas por la fábrica. Estas partes se adaptarán y funcionarán correctamente porque han sido hechas siguiendo las mismas rigurosas especificaciones utilizadas para construir todos los nuevos aparatos electrodomésticos.

Para localizar partes autorizadas por la fábrica en su localidad, llame a nuestro Centro de interacción del cliente, a su centro de servicio autorizado más cercano o al Servicio de Fábrica al **1-800-442-1111** en los EE. UU.

Para asistencia adicional

Si necesita asistencia adicional puede escribir para hacernos cualquier pregunta o comunicarnos sus problemas a:

Customer Interaction Center
553 Benson Road
Benton Harbor, MI 49022-2692
EE. UU.

Por favor incluya en su correspondencia un número de teléfono en el que se le pueda localizar durante el día.

Por favor anote la información sobre su modelo.

Siempre que llame para solicitar servicio del aparato, necesitará saber el número del modelo y el número de serie completos. Esta información la encuentra en la placa de número del modelo y número de serie. Vea la ubicación del número del modelo y del número de serie en "Requisitos eléctricos".

Por favor anote la información sobre el número del modelo y el número de serie que se incluye abajo. Anote también la fecha de compra del aparato, así como el nombre, la dirección y el teléfono de la tienda.

Número del modelo _____

Número de serie _____

Fecha de compra _____

Nombre de la tienda _____

Dirección de la tienda _____

Teléfono de la tienda _____

Guarde este manual y la nota de compra juntos para referencia futura.

Accesorios

Usted puede ordenar los siguientes accesorios para su acondicionador de aire en el distribuidor autorizado de su localidad o llamando al **1-800-253-1301** desde cualquier lugar en los EE.UU. Escuchará una grabación. Siga las instrucciones para hacer su pedido.

Filtros de aire de reemplazo

Un filtro de aire limpio y de buena calidad es importante para obtener el mejor enfriamiento con el menor consumo de energía. Limpie regularmente el filtro de aire. Vea las instrucciones de limpieza en la sección "Limpieza del filtro de aire". Le recomendamos cambiar su filtro de aire una vez al año.

Cubierta resistente

Si usted decide dejar instalado su acondicionador de aire durante el invierno, una cubierta resistente ayudará a proteger su aparato y reducir las corrientes de aire. La cubierta para exteriores protege contra las corrientes de aire frío a través de los orificios de paso de aire de la unidad y protege el gabinete contra la nieve, la lluvia, el agua nieve, la oxidación y el polvo.

Para obtener una cubierta para exteriores resistente del tamaño adecuado para su acondicionador de aire, ordene la pieza #484184.

Para obtener una cubierta para interiores resistente del tamaño adecuado para su acondicionador de aire, ordene la pieza #4392940.

Un Juego para Ventana Ancha

Un Juego para Ventana Ancha especial está disponible de su distribuidor o centro de servicio para ventanas de 40" (101,6 cm) a 54" (137,2 cm) de ancho. Use el Juego No. 1162147. Para modelos con cortinas laterales, debe quitar las cortinas y reemplazarlas por tablas de relleno.

1187094B

© 2004.
All rights reserved.
Todos los derechos reservados.

5/04
Printed in U.S.A.
Impreso en EE. UU.