

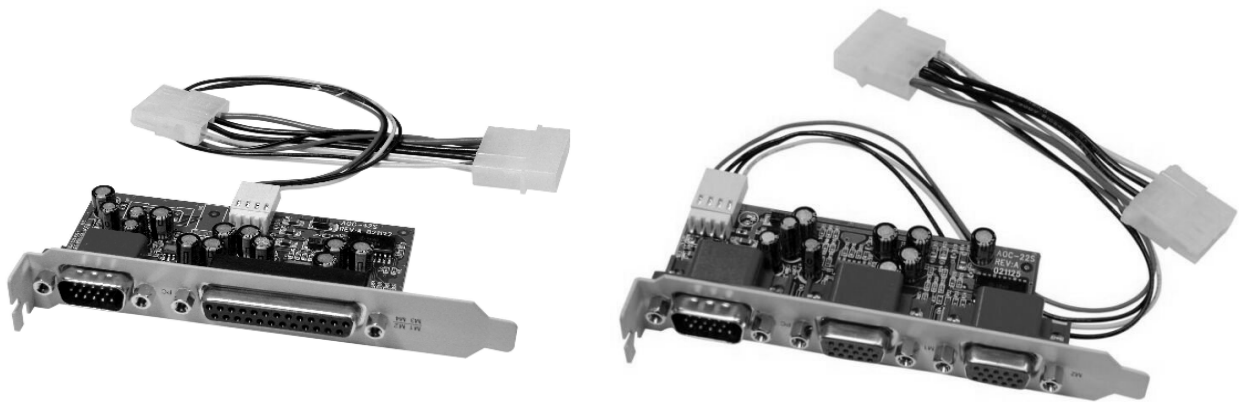
LINDY®

COMPUTER CONNECTION TECHNOLOGY

2 & 4 Port Monitor Splitters

**User Manual
Benutzerhandbuch
Manuel Utilisateur
Manuale d'uso**

***English
Deutsch
Français
Italiano***



LINDY No. 32407, 32408

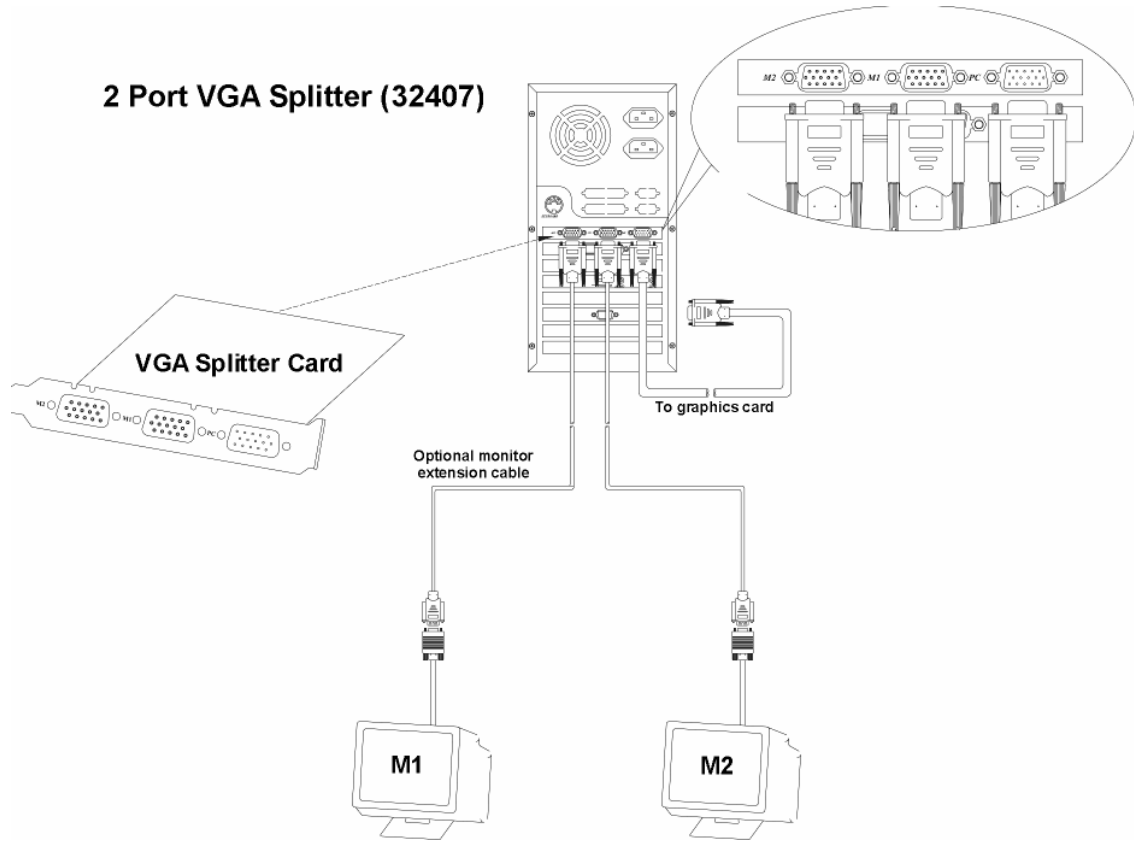
www.LINDY.com



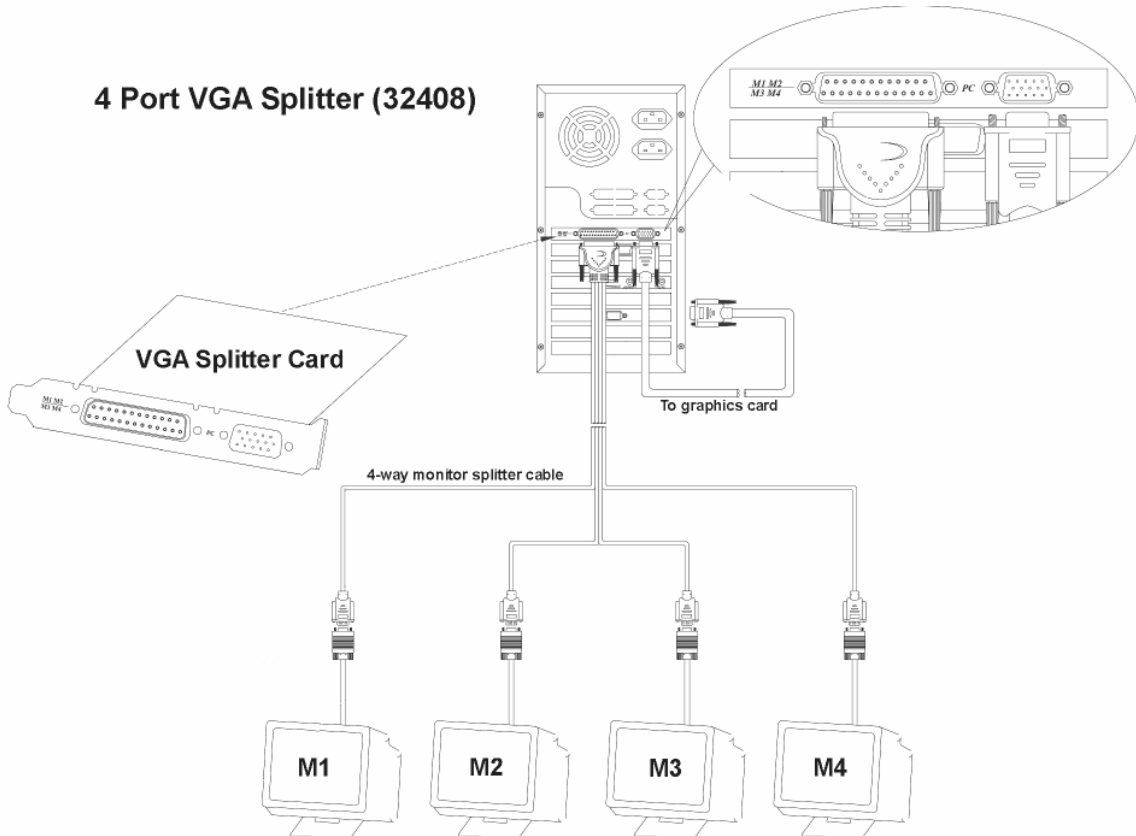
© LINDY ELECTRONICS LIMITED & LINDY-ELEKTRONIK GMBH - FIRST EDITION (Dec 2003)



2 Port VGA Splitter (32407)



4 Port VGA Splitter (32408)



Introduction

LINDY 2 & 4 port monitor splitters allow you to duplicate the video signal from your PC for output to multiple monitors.

The 2 port splitter (Part No. 32407) outputs video to two separate monitors, while the 4 port splitter (Part No. 32408) provides video output for up to 4 separate monitors.

Features

- Supports VGA, SVGA, XVGGA, and Multi-sync monitors
- DDC2 function supports "Plug & Play" monitors
- High bandwidth up to 250MHz
- High resolution support (up to 1920 x 1440)
- Transmission distance up to 50m

Package contents

2 port monitor splitter (32407)

- 2 port monitor splitter card
- Internal power cable
- VGA output connection cable
- Fitting screw
- Instruction manual

4 port monitor splitter (32408)

- 4 port monitor splitter card
- Internal power cable
- VGA output connection cable
- 4-way monitor splitter cable
- Fitting screw
- Instruction manual

Optional video cables

To maintain optimal image quality we recommend the following LINDY Premium Gold monitor extension cables.

2m	37230	10m	37233	30m	37236
3m	37231	15m	37234	40m	37237
5m	37232	20m	37235	50m	37238

Installation

1. Fit the card into a spare back-plate slot and secure using the supplied screw
2. Connect the internal power connector to a 5¼" connection from the computers power supply
3. Using the VGA output connection cable, connect the computers video output to the input on the splitter card marked 'PC'
4. For the 2 port model connect the monitors to the connections marked 'M1' & 'M2'
5. For the 4 port model connect the 4-way monitor splitter cable to the connection marked 'M1-M2-M3-M4'. Plug each monitor into the individual connections on the splitter cable.

Deutsch

Einführung

Die LINDY 2 & 4 Port VGA Splitter verteilen 1 VGA Signal auf 2 oder 4 Monitore. Sie sind als Interne Slotblechlösung zum Einbau in einen freien Steckkarteneinbaulot eines Computergehäuses konzipiert. Sie erhalten ihre Stromversorgung über das Rechnernetzteil und können in Slotblechtaussparungen ohne zugehörigen Mainboard Slot montiert werden.

Der 2 Port Splitter hat zwei VGA Buchsen zum Anschluss der Monitorkabel.

Der 4 Port Splitter hat eine Kombi-Buchsen zum Anschluss eines mitgelieferten Monitoradapterkabelpeitsche .

Eigenschaften

- Unterstützt VGA, SVGA, XVGA, etc. und Multi-sync Monitore bis zu Auflösungen von 1920 x 1440.
- DDC2 Funktion unterstützt "Plug & Play" Monitore
- Bandbreite 250MHz

Lieferumfang

2 Port Monitor Splitter (32407)

- 2 Port Monitor Splitter Karte
- Internes Stromversorgungskabel
- VGA Kabel vom Eingangsport zum Ausgang der Grafikkarte
- Slotblechschraube
- Dies Handbuch

4 Port Monitor Splitter (32408)

- 4 Port Monitor Splitter Karte
- Internes Stromversorgungskabel
- VGA Kabel vom Eingangsport zum Ausgang der Grafikkarte
- VGA Adapterkabel für 4 Monitore
- Slotblechschraube
- Dies Handbuch

VGA Kabel Anmerkung

Um bestmöglich Bildqualität zu erhalten empfehlen wir besonders bei Kabellängen über 5m den Einsatz von hochwertigen LINDY Premium Gold VGA Kabeln:

2m	37230	10m	37233	30m	37236
3m	37231	15m	37234	40m	37237
5m	37232	20m	37235	50m	37238

Installation

1. Schalten Sie den Rechner aus, öffnen Sie das Gehäuse und bauen Sie die Splitterkarte in eine freien Slotblechplatz ein – es darf ein Platz ohne zugehörigen Mainboardslot sein.
2. Verbinden Sie das interne Stromkabel mit dem Computernetzteil
3. Verbinden Sie den Ausgang der Grafikkarte mit dem Eingang der Splitterkarte mit dem beiliegenden kurzen VGA Kabel
4. Schließen Sie ihre Monitore an, beim 4 Port Modell mittels der mitgelieferten Kabelpeitsche

Introduction

Les splitters pour moniteurs LINDY 2 & 4 ports vous permettent de dupliquer un signal vidéo provenant de la sortie vidéo de votre PC et de l'afficher sur plusieurs moniteurs.

Le splitter 2 ports (N° Art. 32407) permet d'afficher une image identique sur deux moniteurs séparés, tandis que le modèle 4 ports (N° Art. 32408) permet d'afficher une image identique sur 4 moniteurs séparés.

Caractéristiques

- Support des moniteurs VGA, SVGA, XGA et Multi-sync
- Fonction DDC2 et support des moniteurs "Plug & Play"
- Largeur de bande élevée jusqu'à 250MHz
- Haute Résolution (jusqu'à 1920 x 1440)
- Distance de transmission jusqu'à 50m

Contenu de l'emballage

Splitter moniteur 2 ports (32407)

- Carte splitter 2 ports moniteur
- Câble d'alimentation interne
- Câble de connexion externe VGA
- Vis de montage
- Manuel d'instruction

Splitter moniteur 4 ports (32408)

- Carte splitter 4 ports moniteur
- Câble d'alimentation interne
- Câble de connexion externe VGA
- Câble de connexion 4 voies pour le splitter
- Vis de montage
- Manuel d'instruction

Câbles vidéo optionnels

Pour une qualité d'image optimale, nous vous recommandons les câbles d'extension Premium Gold suivants :

2m	37230	10m	37233	30m	37236
3m	37231	15m	37234	40m	37237
5m	37232	20m	37235	50m	37238

Installation

1. Installez la carte dans un slot libre et vissez-la à l'aide de la vis fournie
2. Connectez le câble d'alimentation interne à une connexion 5/4" de l'alimentation du PC
3. Connectez le câble VGA de la sortie vidéo de votre carte à l'entrée de la carte splitter marquée 'PC'
4. Pour le modèle 2 ports, connectez les moniteurs directement sur les ports marqués 'M1' & 'M2'
5. Pour le modèle 4 ports, connectez le câble 4 voies à la carte splitter puis connectez vos moniteurs aux ports marqués 'M1-M2-M3-M4' du câble 4 voies.

Italiano

Introduzione

LINDY 2 & 4 port monitor splitters consente la ripetizione del segnale video dal PC ad un certo numero di monitors.

Il 2 porte (Part No. 32407) permette il collegamento di 2 monitors, mentre il 4 porte (Part No. 32408) permette il collegamento di 4 monitors.

Caratteristiche

- Supporta VGA, SVGA, XVGa, e Multi-sync monitors
- Compatibile con DDC2 "Plug & Play" monitors
- High bandwidth fino a 250MHz
- High resolution supportata (fino a 1920 x 1440)
- Transmission fino a 50m

Package / Contenuto

Splitter 2 porte (32407)

- 2 porte monitor splitter card
- Cavo alimentazione
- Cavo VGA output connection
- Set di viti per il montaggio
- Manuale d'istruzioni

Splitter 4 porte (32408)

- 4 porte monitor splitter card
- Cavo alimentazione
- Cavo VGA output connection
- Set di viti per il montaggio
- Manuale d'istruzioni

Cavi Video Optional

Per mantenere immutati gli standard qualitative dello splitter, raccomandiamo I seguenti cavi LINDY Premium Gold monitor extension cables.

2m	37230	10m	37233	30m	37236
3m	37231	15m	37234	40m	37237
5m	37232	20m	37235	50m	37238

Installazione

1. Inserire la card in uno slot libero ed assicurare la vite laterale
2. Collegare il cavetto interno d'alimentazione
3. Collegare l'uscita VGA del PC al video input della card (contrassegnata con PC)
4. Collegare i 2 o 4 monitor alle uscite dello splitter (contrassegnate con M1 / M2 – per il 2 porte – M1 / M2 / M3 / M4 – per il 4 porte).

Radio Frequency Energy

Shielded cables must be used with this equipment to maintain compliance with radio frequency energy emission regulations and ensure a suitably high level of immunity to electromagnetic disturbances.

FCC Warning

This equipment has been tested and found to comply with the limits for a Class B Digital device, pursuant to part 15 of the FCC Rules. These limits are designed to provide reasonable protection against harmful interference in a residential installation. This equipment generates, uses, and can radiate radio frequency energy and, if not installed and used in accordance with the instructions, may cause harmful interference to radio communications. However, there is no guarantee that interference will not occur in a particular installation. If this equipment does cause harmful interference to radio or television reception, which can be determined by turning the equipment off and on, the user is encouraged to try to correct the interference by one or more of the following measures:

- Reorient or relocate the receiving antenna
- Increase the separation between the equipment and receiver
- Connect the equipment into an outlet on a circuit different from that to which the receiver is connected
- Consult the dealer or an experienced radio/TV technician for help

You are cautioned that changes or modifications not expressly approved by the party responsible for compliance could void your authority to operate the equipment.

This device complies with part 15 of the FCC Rules.
Operation is subject to the following two conditions:

1. This device may not cause harmful interference, and
2. This device must accept any interference received, including interference that may cause undesired operation



For Home and Office Use
Tested to comply
with FCC Standards

LINDY No. 32407, 32408

