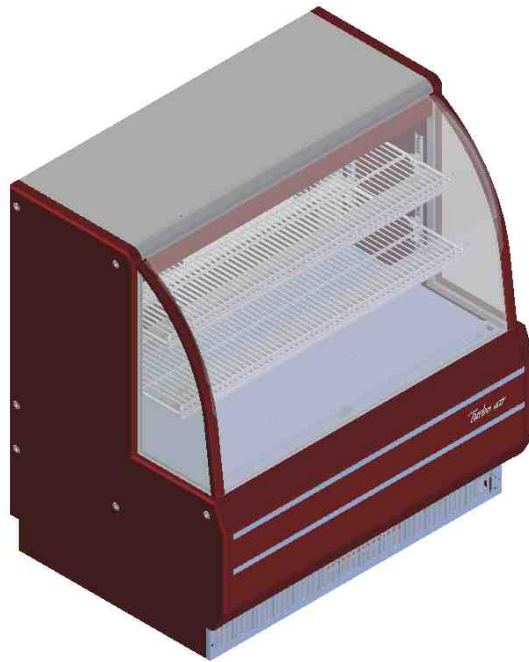


Turbo air Speeds UP the Pace of Innovation



**OPEN DISPLAY MERCHANDISER
Commercial refrigerator Service Manual**

Please read this manual completely before attempting
To install or operate this equipment!



TCGB-36, TCGB-48, TCGB-60, TCGB-72, TCGB-60-CO, TCGB-72-CO

TABLE OF CONTENTS

◇ MAIN COMPONENTS

1. Compressor
2. Overload protector
3. Starting capacitor, Run capacitor
4. Condenser fan motor, evaporator motor
5. Thermostat(Refrigeration controller)
6. ballast

◇ WIRING DIAGRAM

◇ TEMPERATURE CONTROL INSTRUCTION

◇ PART NAME

◇ TCGB**--*(*) , TCGB**--*-CO-(*) (SVC PART LIST)

◇ PART ORDER EXAMPLE

◇ MAIN COMPONENTS

1. Compressor

Manufacturer	SAMSUNG.	Tecumseh.
Designation	HK6A1C2U	CAJ4476Y
Electrical Rating	5.6 A	11.0 A
V, Hz, Phase	115 V, 60 Hz, 1 Ph	
LRA	28.0 A	54 A
Refrigerant	R-134a	

2. Overload Protector

Manufacturer	KLIXON	KLIXON
Model or Designation	4TM801SFBZZ-53	CAR38014-3057

3. Starting Capacitor, Run Capacitor

Rating, uF, V		250 uF, 160v
Rating, uF, V	20 uF, 350 V	

4. Condenser Fan Motor, Evaporator Fan Motor

Manufacturer	Geenam Electric	
Model	SE-043	
Rating V, Hz, Phase, A or W	115 V, 60 Hz, 1 Ph, 0.8 A, 9 W	

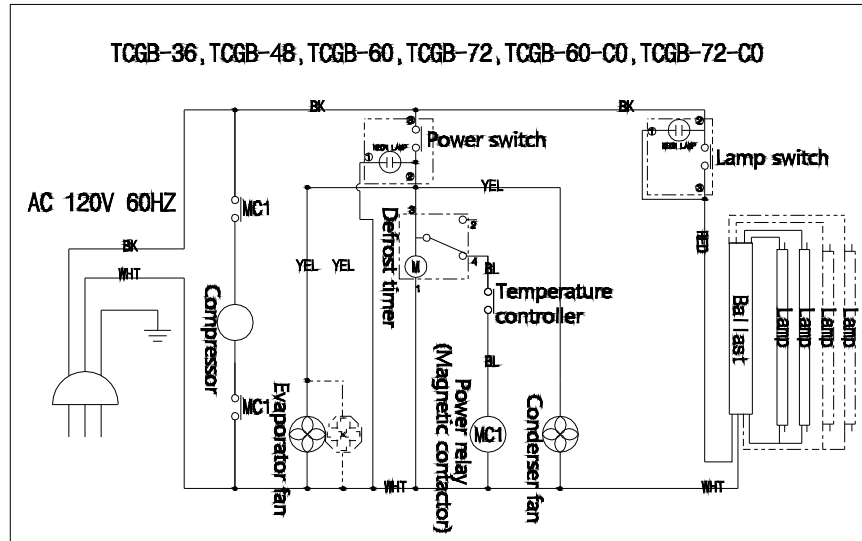
5. Thermostat (Refrigeration Controller)

Manufacturer	Q-MAX
Designation	QGTN-24HJ
Electrical Rating, Minimum V, FLA, LRA	Output: 250 V ac, 1 A

6. Ballast

Manufacturer	SZ.TEYUAN
Model	TBE-34CFW
Rating V, A	120 V TO 277V, 50/60Hz, 1.01 A
Manufacturer	TOSPO
Model	TP120-4132IS
Rating V, A	120 V, 60Hz, 1.0 A

◇ WIRING DIAGRAM

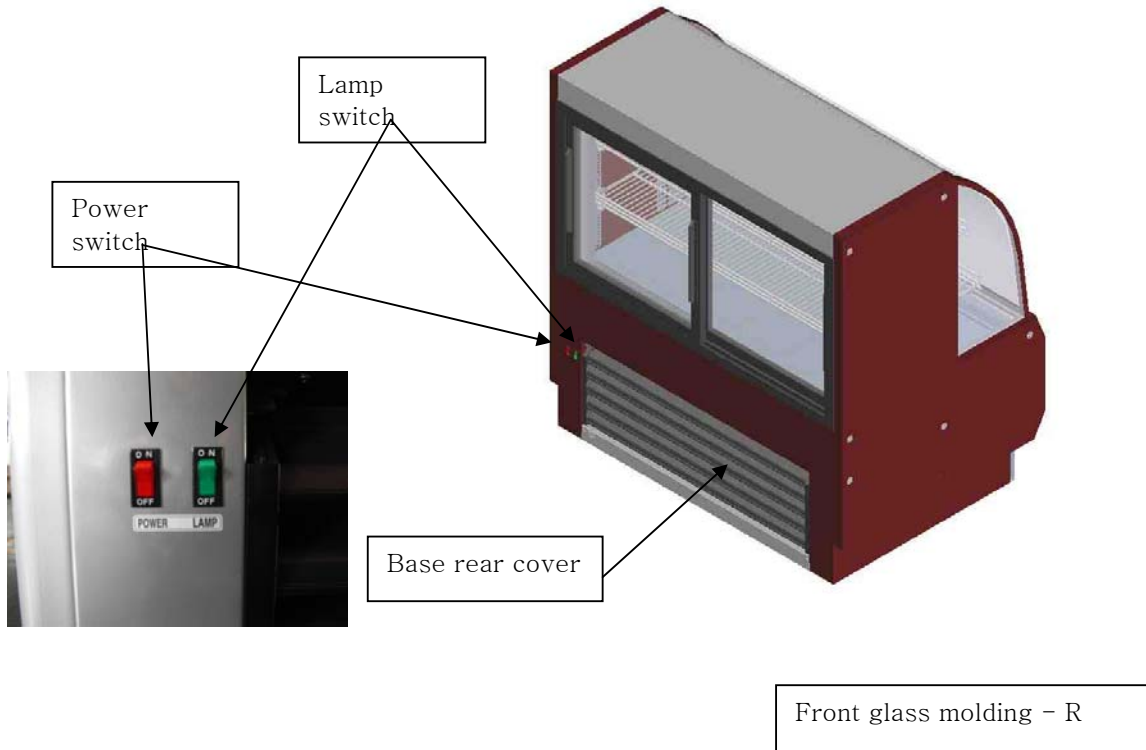
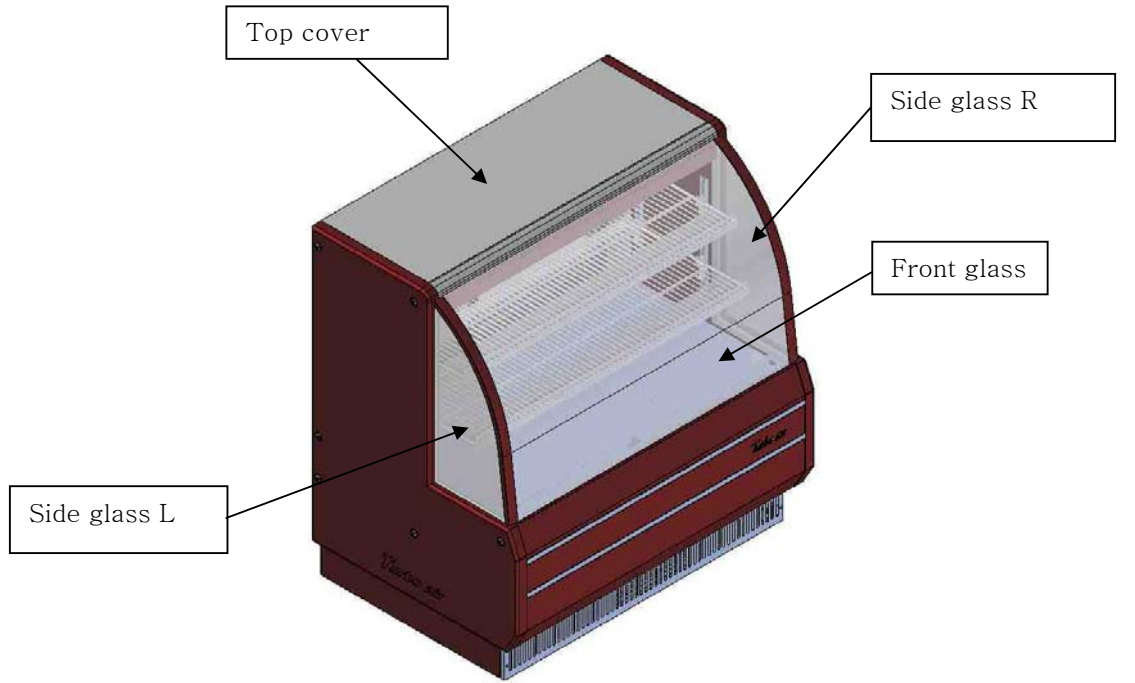


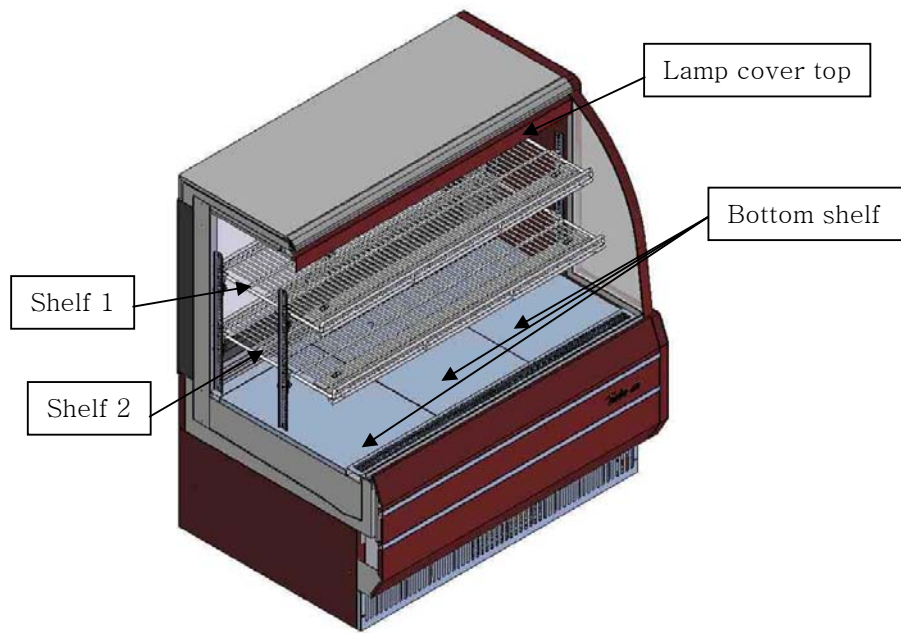
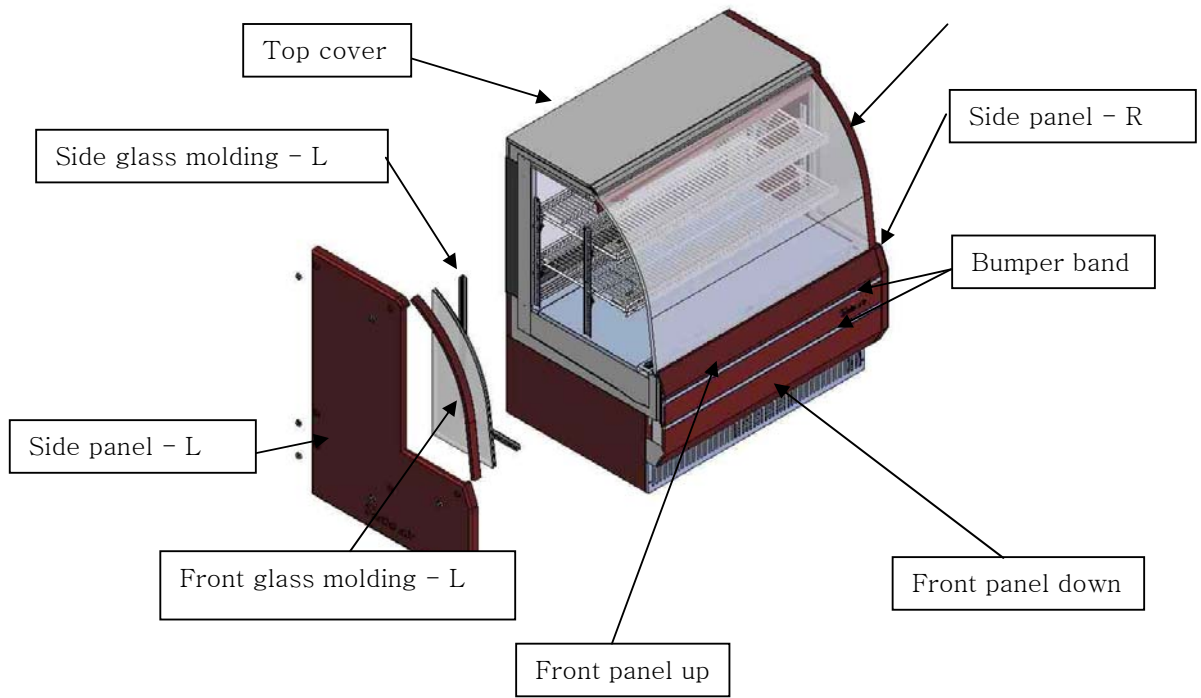
◇ TEMPERATURE CONTROL INSTRUCTION

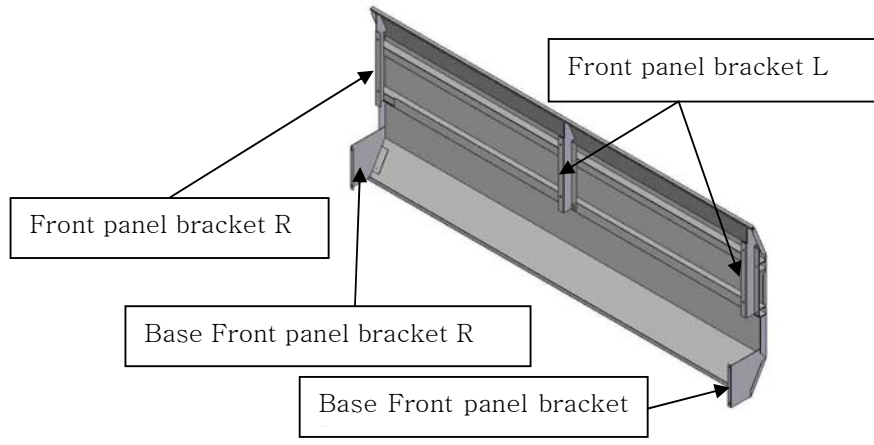
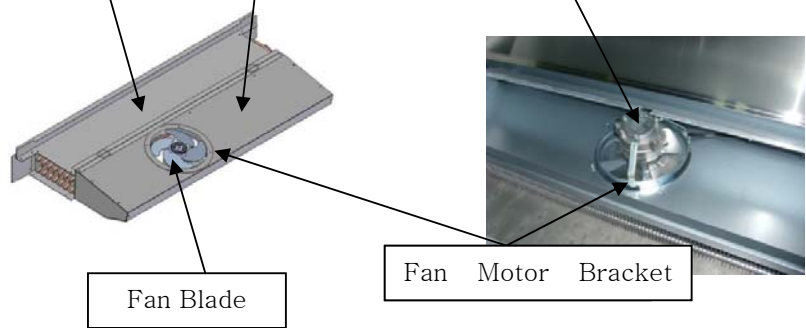
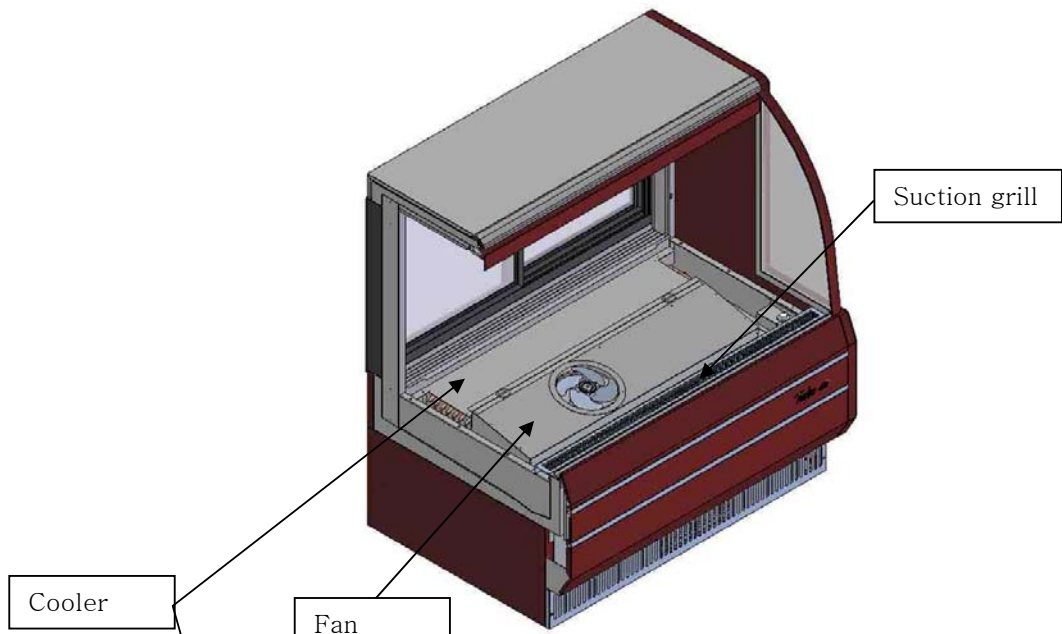
The temperature control is located near the back left hand side underneath the bottom shelf.

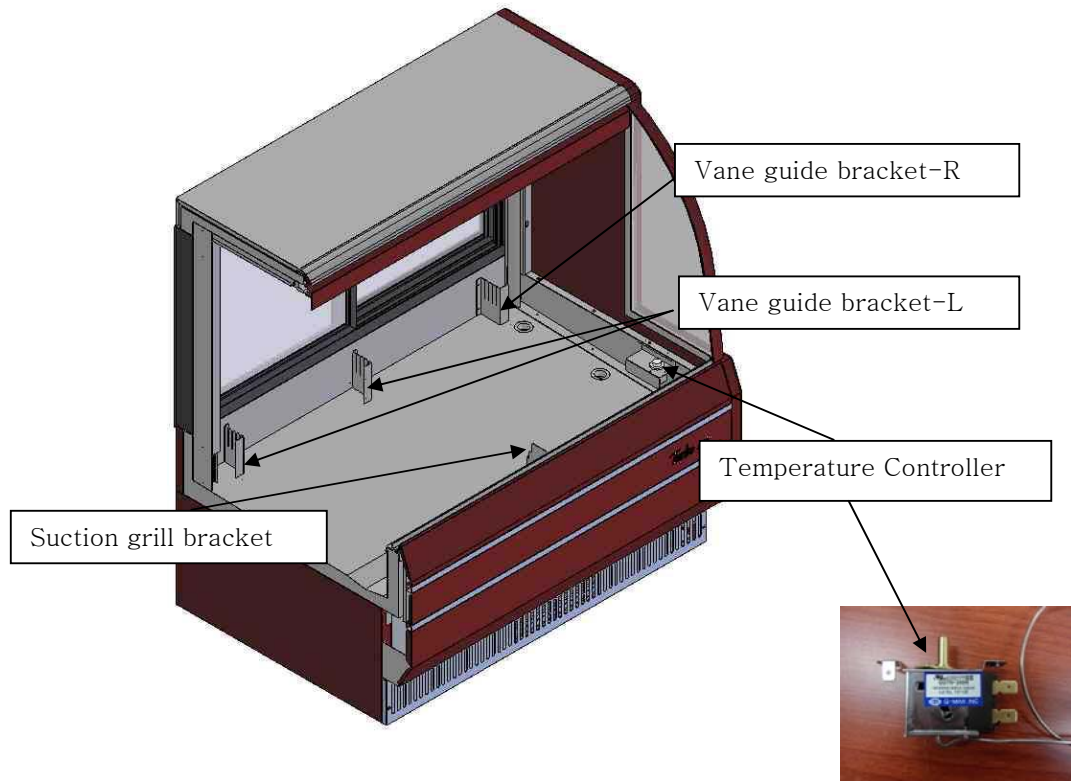
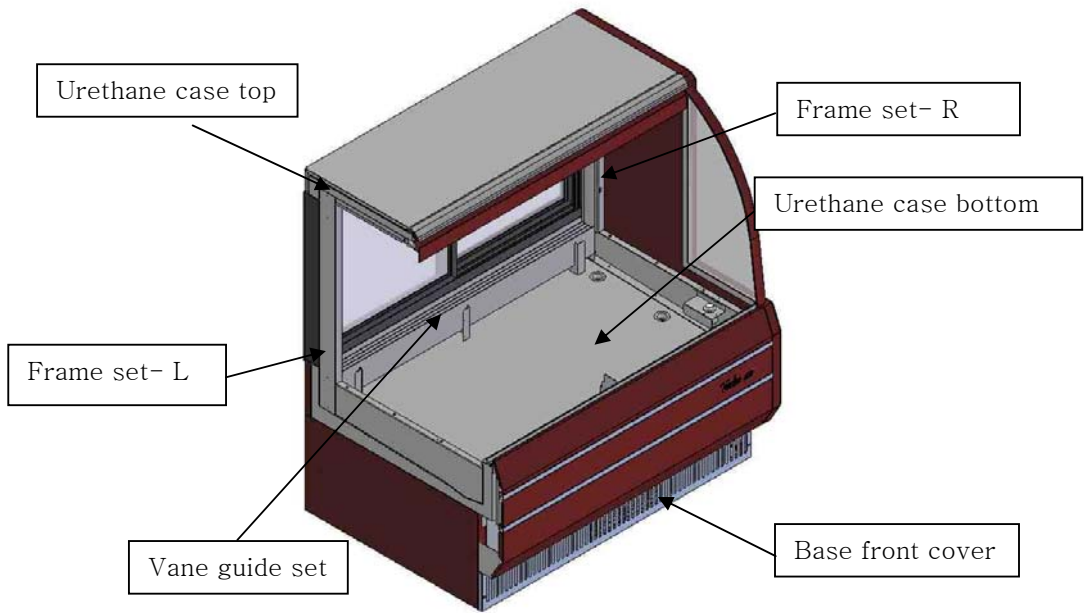
1. The original setting for the control is Normal.
2. The working temperature is from 37°F to 40°F.
3. To lower the temperature, turn the knob slightly to “Low”. To raise the temperature, turn the knob to “High”.
4. In case of icing due to the hike of ambient temperature or humidity, turn the knob slightly to “High”.

◇ PART NAME

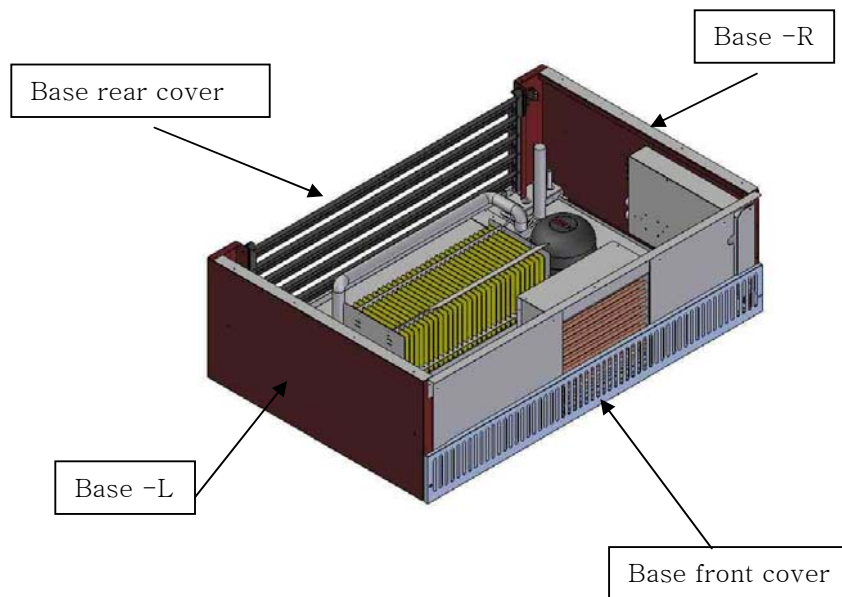
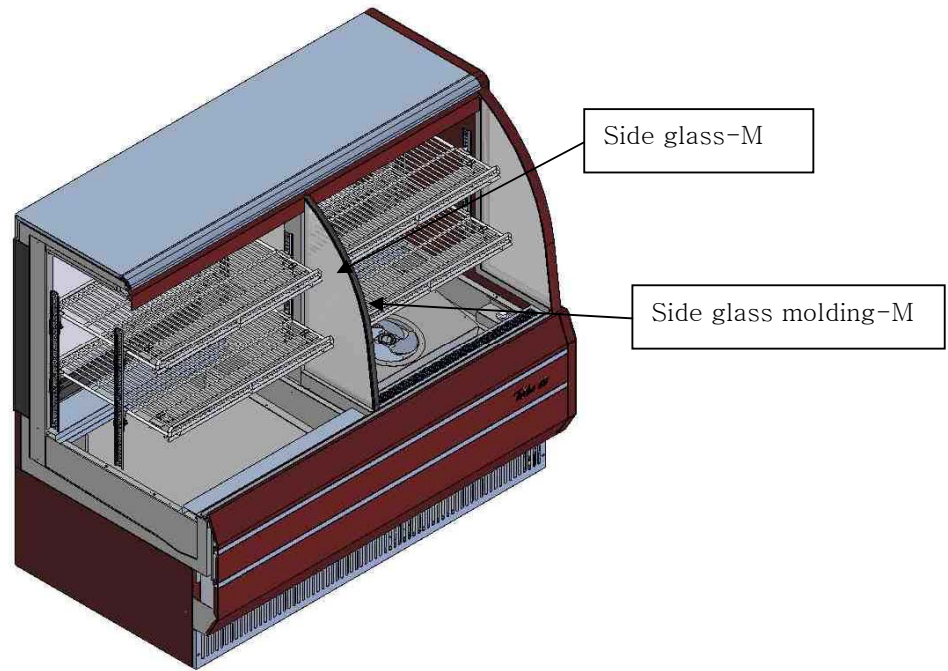


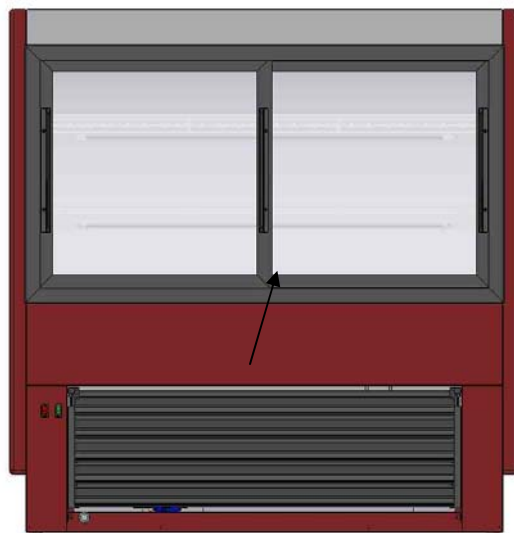
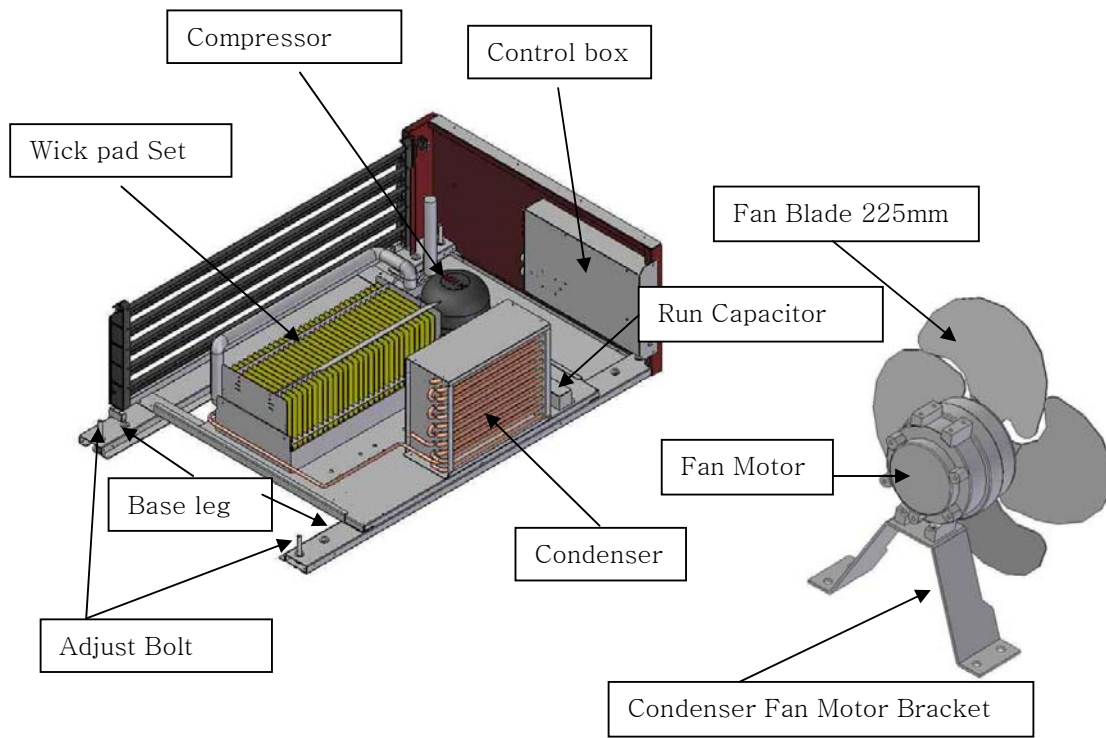




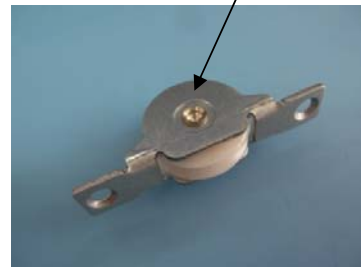
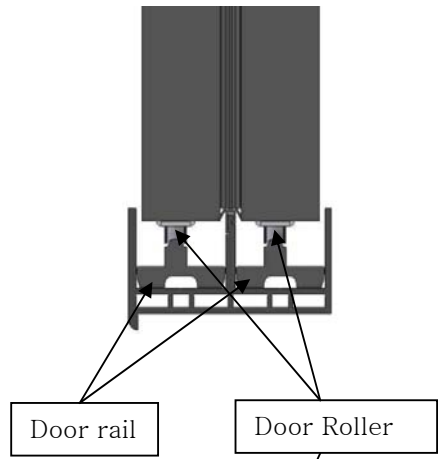
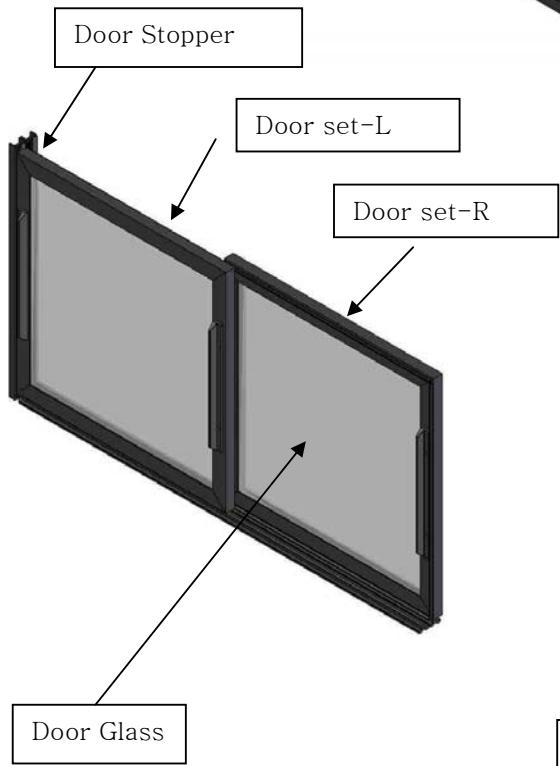
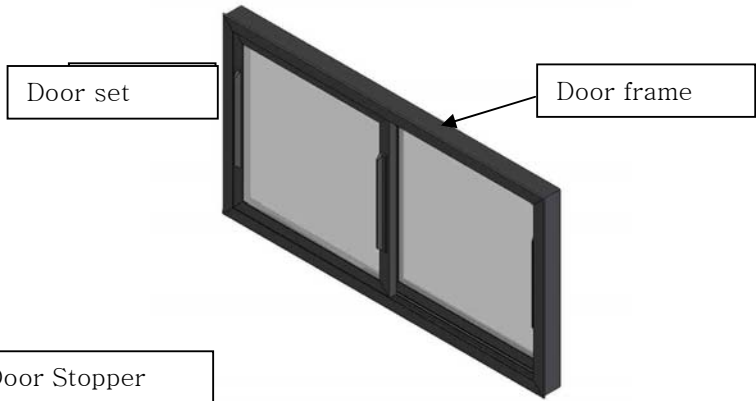


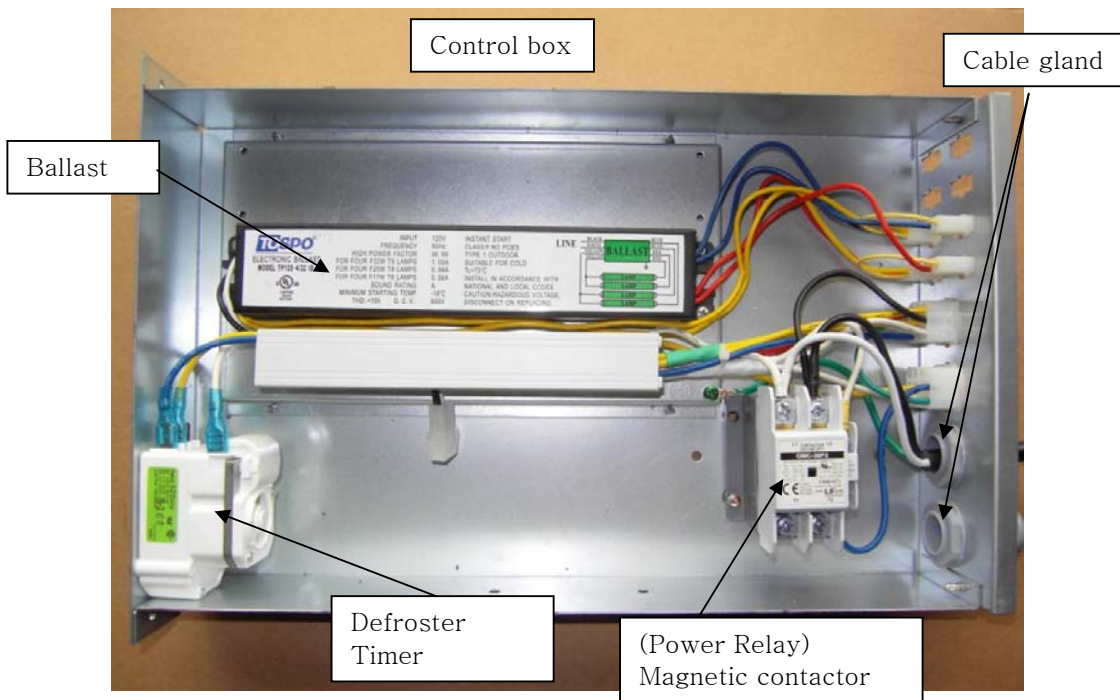
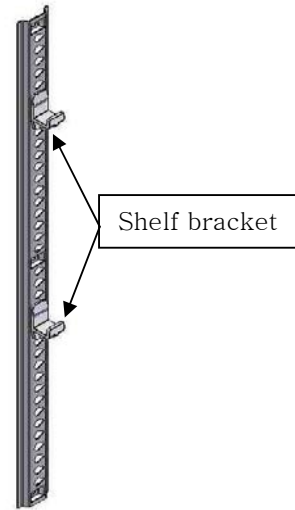
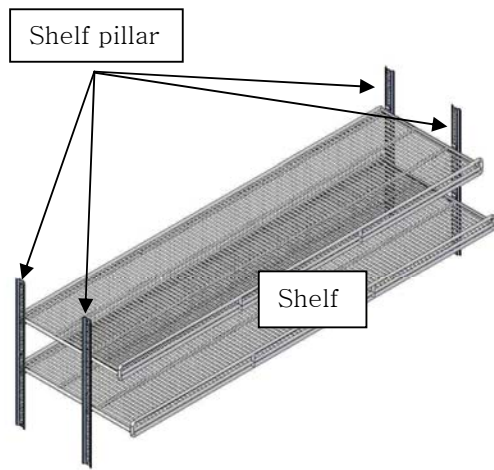
TCGB-***-CO

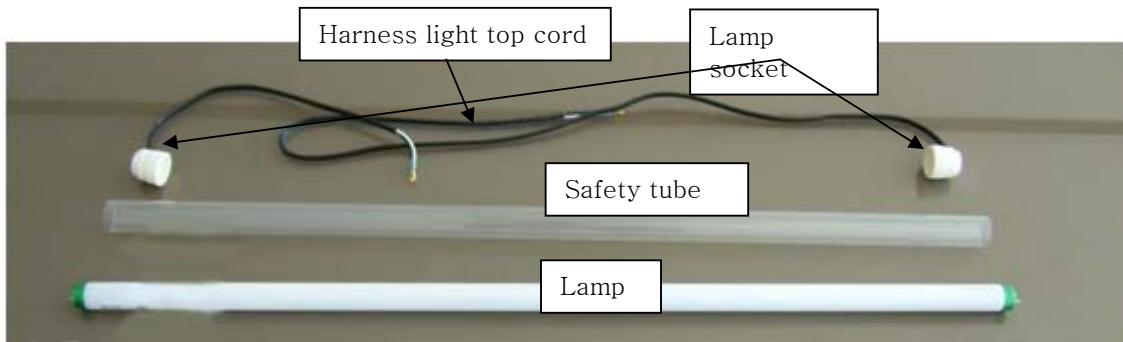




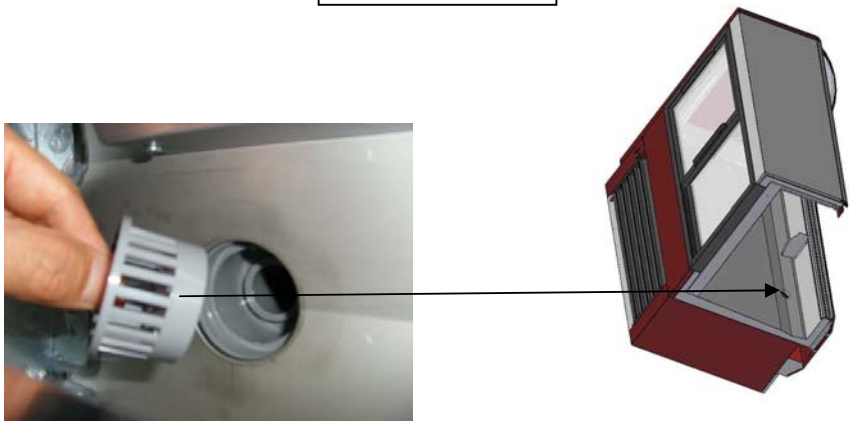
Base rear cover







Drain filter



◇ TCGB**--*(*) , TCGB**--*-CO-(*) (SVC PART LIST)

	NAME	TCGB-36	TCGB-48	TCGB-60	TCGB-72	TCGB-60-CO	TCGB-72-CO	REMARK
1	Adjust Bolt	4	4	4	4	4	4	
2	Ballast	1	1	1	2	2	2	TBE-34CWF, TP120-4/32 IS
3	Base front cover	1	1	1	1	1	1	
4	Base Front panel bracket-L	1	1	1	1	1	1	
5	Base Front panel bracket-R	1	1	1	1	1	1	
6	Base -L	1	1	1	1	1	1	
7	Base leg	2	2	2	2	2	2	
8	Base -R	1	1	1	1	1	1	
9	Base rear cover	1	1	1	1	1	1	
10	Bottom shelf	3	3	4	4	4	4	
11	Bumper band	2	2	2	2	2	2	

12	Cable gland	2	2	2	2	2	2	
13	Compressor	1	1	1	1	1	1	
14	Condenser	1	1	1	1	1	1	
15	Condenser Bracket	1	1	1	1	1	1	
16	Control box	1	1	1	1	1	1	
17	Cooler	1	1	1	1	1	1	
18	Defroster Timer	1	1	1	1	1	1	
19	Door frame	1	1	1	1	1	1	
20	Door Glase	2	2	2	2	2	2	
21	Door rail	2	2	2	2	2	2	
22	Door Roller	4	4	4	4	4	4	
23	Door set-L	1	1	1	1	1	1	
24	Door set-R	1	1	1	1	1	1	
25	Door Stopper	4	4	4	4	4	4	
26	Drain filter	1	1	1	1	1	1	
27	Fan blade 175	1	1	2	2	1	1	
28	Fan blade 225	1	1	1	1	1	1	
29	Fan cover	1	1	1	1	1	1	
30	Fan motor	2	2	3	3	2	2	

◇ TCGB**--*(*) , TCGB**--*-CO-(*) (SVC PART LIST)

	NAME	TCGB-36	TCGB-48	TCGB-60	TCGB-72	TCGB-60- CO	TCGB-72- CO	REMARK
31	Fan motor bracket 175	1	1	2	2	1	1	
32	Frame set-L	1	1	1	1	1	1	
33	Frame set-R	1	1	1	1	1	1	
34	Front glass	1	1	1	1	1	1	
35	Front glass molding-L	1	1	1	1	1	1	
36	Front glass molding-R	1	1	1	1	1	1	
37	Front panel bracket-L	2	2	3	3	3	3	
38	Front panel bracket-R	1	1	1	1	1	1	
39	Front panel down	1	1	1	1	1	1	
40	Front panel up	1	1	1	1	1	1	
41	Harness light Shelf 1 cord	1	1	1	1	1	1	
42	Harness light Shelf 2 cord	1	1	1	1	1	1	
43	Harness light top cord	1	1	1	1	1	1	

44	Lamp cover top	1	1	1	1	2	2	
45	Lamp socket	6	6	6	12	12	12	
46	Lamp switch	1	1	1	1	1	1	
47	Magnetic contactor	1	1	1	1	1	1	
48	Power switch	1	1	1	1	1	1	
49	Safety tube	3	3	3	6	6	6	
50	Shelf 1	1	1	1	1	2	2	
51	Shelf 2	1	1	1	1	2	2	
52	Shelf bracket	8	8	8	8	16	16	
53	Shelf pillar	4	4	4	4	8	8	
54	Side glass molding L	1	1	1	1	1	1	
55	Side glass molding R	1	1	1	1	1	1	
56	Side glass-L	1	1	1	1	1	1	
57	Side glass-M					1	1	
58	Side glass-R	1	1	1	1	1	1	
59	Side panel-L	1	1	1	1	1	1	
60	Side panel-R	1	1	1	1	1	1	
61	Suction grill	1	1	1	1	1	1	

◇ TCGB**--*(*) , TCGB**--*CO-(*) (SVC PART LIST)

	NAME	TCGB-36	TCGB-48	TCGB-60	TCGB-72	TCGB-60- CO	TCGB-72- CO	REMARK
62	Suction grill bracket	1	1	1	1			
63	Temperature Controller	1	1	1	1	1	1	
64	Top cover	1	1	1	1	1	1	
65	Urethane case bottom	1	1	1	1	1	1	
66	Urethane case top	1	1	1	1	1	1	
67	Vane guide bracket-L	1	2	2	2	1	1	
68	Vane guide bracket-R	1	1	1	1	1	1	
69	Vane guide set	1	1	1	1	1	1	
70	Wick pad Set	1	1	1	1	1	1	

◇ PART ORDER EXAMPLE

Example: TCGB48-2-W. Front panel up. QTY