

# Cuisinart™

INSTRUCTION &  
RECIPE BOOKLET



**Citrus Juicer**

**CCJ-100**

For your safety and continued enjoyment of this product,  
always read the instruction book carefully before using.

---

# IMPORTANT SAFEGUARDS

When using an electrical appliance, basic safety precautions should always be followed, including the following:

1. **READ ALL INSTRUCTIONS.**
2. To protect against risk of electrical shock, do not immerse the juicer in water or any other liquid. If juicer falls into liquid, unplug the cord from outlet immediately. **DO NOT** reach into the liquid.
3. To avoid possible accidental injury, close supervision is necessary when any appliance is used by or near children.
4. Unplug from outlet when not in use, before putting on or taking off parts, and before cleaning.
5. Avoid contact with moving parts.
6. Do not operate any appliance with a damaged cord or plug or after the appliance has malfunctioned or has been dropped or damaged in any way or is not operating properly. Return the appliance to the nearest Cuisinart Repair Center for examination, repair, and/or mechanical or electrical adjustment.
7. The use of attachments not recommended by Cuisinart may cause fire, electrical shock, or risk of injury.
8. Do not use outdoors or anywhere the cord or motor body might come into contact with water while in use.
9. Do not use the juicer for anything other than its intended use.
10. To avoid the possibility of the juicer being accidentally pulled off work area, which could result in damage to the juicer or personal injury, do not let cord hang over edge of table or counter.

11. To avoid damage to cord and possible fire or electrocution hazard, do not let cord contact hot surfaces, including stove.
12. Do not operate juicer in water or under running water.

## SAVE THESE INSTRUCTIONS FOR HOUSEHOLD USE ONLY

### NOTICE:

This appliance has a polarized plug (one prong is wider than the other). As a safety feature, this plug will fit into a polarized outlet only one way. If the plug does not fit fully in the outlet, reverse the plug. If it still does not fit, contact a qualified electrician. Do not attempt to defeat this safety feature.

### TABLE OF CONTENTS

Important Safeguards . . . . .	pg.2
Introduction . . . . .	pg.3
Features and Benefits . . . . .	pg.3
Assembly Instructions . . . . .	pg.3
Tips and Hints . . . . .	pg.4
Yields . . . . .	pg.4
Benefits . . . . .	pg.4
Operation . . . . .	pg.4
Cleaning and Maintenance . . . . .	pg.5
Recipes . . . . .	pg.5
Warranty Information . . . . .	pg.10

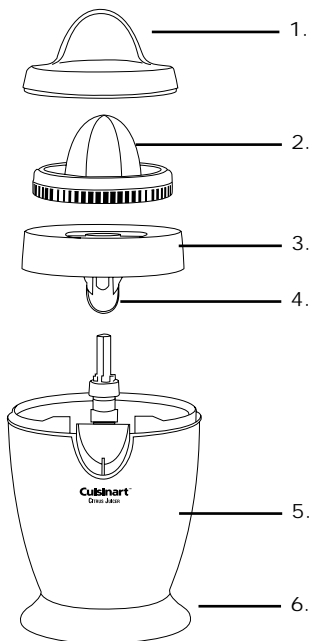
## INTRODUCTION:

The Cuisinart™ Citrus Juicer offers superior functionality with an elegant design – perfect for the home gourmet.

This powerful juicer is capable of handling the toughest tasks with ease. The Cuisinart™ Citrus Juicer has unique features that maximize juice output.

A universal juicing cone works with any size fruit, and will periodically reverse the direction of spin when pressure is stopped and then resumed. This two-way rotation helps to extract more juice from fruit. Placing the lid on top of the juicing cone and pressing down activates the 'Fast-Spin' feature, extracting the remaining juice from the pulp.

## FEATURES AND BENEFITS



- 1. Cover:** Activates 'Fast Spin' feature that removes juice from pulp, and acts as a dust cover when not in use. Cover is dishwasher safe.
- 2. Juicing Cone with Sieve:** Larger cone allows you to juice a variety of fruits. Sieve allows the juice to pass through the pulp.
- 3. Juice Container:** Angled container allows juice to flow directly into a glass or container.
- 4. Drip Spout:** Choose the open or closed position by pushing down or up on the spout.
- 5. Motor Base:** Sturdy motor base virtually eliminates the risk of the juicer "walking" on your counter while in use.
- 6. Cord Storage (not shown):** Keeps countertops safe and neat by conveniently wrapping excess cord under unit.

## ASSEMBLY INSTRUCTIONS

To use your Cuisinart™ Citrus Juicer, begin by:

1. Rinsing the lid, juicing cone and container – **DO NOT** rinse motor base. Motor base can be wiped clean with a damp cloth.
2. Placing the juice container over the spindle with the drip stopper aligned with the opening.
3. Drip spout should be in the open position.
4. Position the juicing cone over the spindle, securing it into place.
5. Place juicer lid over the cone.
6. Plug in power cord. Your juicer is now ready to be used.

---

## TIPS AND HINTS

Choose fresh fruit that is firm, not soft – it will yield more juice.

Always wash citrus fruit before juicing to remove pesticides and residues from handling.

Room temperature fruit will yield more juice than refrigerated fruit.

Roll fruits on the countertop with the palm of your hand a few times to increase juice yield.

Remove all seeds, but leave in pulp when using juice in baking – it will add flavor.

If a recipe calls for citrus “zest”, remove zest prior to juicing.

Freeze leftover juice in measured “juice cubes”, using ice cube trays. Thaw to use.

Choose oranges, lemons and limes with smooth, brightly colored skin. The best are firm, plump and heavy for their size. Small brown areas on the skin (“scald” spots) will not affect flavor or juiciness. Avoid lemons/limes with hard or shriveled skin.

Lemon and lime juice can be used interchangeably in most recipes (margaritas are an exception).

Grapefruits should have thin, finely textured, brightly colored skin and firm yet springy to palm texture. The thinner the skin, the more juice.

Hollow skins that remain after juicing citrus fruit are nice containers for desserts such as sorbets.

“Sweet” oranges make the best juice, but you can make orange juice from any type of orange. “Sweet” oranges include both “juice” oranges and navel oranges. Navel oranges are identifiable by their prominent “navel” – their thick skins are much easier to peel, and are generally seedless. “Juice” oranges have thinner skins, and often are chockfull of seeds.

Juice from pink grapefruit contains more vitamin A than from white grapefruit.

## YIELDS

- Grapefruit – 1 medium grapefruit is approximately 1 pound and will yield about 1 cup of juice.
- Lemons – Approximately 4 to 6 lemons equal one pound and will yield about 1 cup of lemon juice. One lemon yields about 3 tablespoons juice and 2 to 3 teaspoons zest.
- Limes – Approximately 6 to 8 medium limes equal one pound, which will yield about 2/3 - 3/4 cup juice.
- Oranges – Approximately 2 to 4 oranges equal one pound and will yield about 1 cup of juice, 1 to 2 tablespoons zest.

## BENEFITS

Citrus juice is an excellent source of vitamin C, but the juice begins to lose its vitamin power after squeezing. Fresh citrus juice loses 20% of its vitamin C potency within 24 hours. The best juice is “just squeezed”.

There is no comparison between the flavor of fresh lemon and lime juices and their purchased refrigerated or frozen counterparts. Fresh juice has significantly more flavor than the purchased juices and will make your finished recipes more flavorful.

## OPERATION

1. Place juicer on a clean, dry counter.
2. Remove cover.
3. Place a glass or container under 2-cup measure and no higher than 5 3/8" under the spout.
4. Make sure spout is in the open position.
5. Slice fruit horizontally.
6. Place center of citrus fruit on the center of the juicing cone. For large and small citrus fruits, place palm of hand over the fruit.

7. Press fruit against cone by using firm steady pressure to activate juicing mechanism.
8. If you remove the pressure, reamer may reverse direction once pressure is reapplied – this is normal and provides more even, effective juicing. Squeezing the fruit while pressing down on the cone will extract more juice.
9. Once you feel the ribs of the cone through the citrus rind, remove from cone and repeat steps 5-7.
10. After approximately 1 lb. of fruit has been juiced, the sieve will appear to be full.
11. Remove rind from cone and place cover on top of unit. Press down on cover to activate the 'Fast-Spin' feature. This will remove the remaining juice from the pulp and juice container.
12. Once the juice slows to a drip, release pressure to stop the 'Fast-Spin' feature.
13. Place drip spout in the closed position and remove cup.
14. Remove cover and cone and empty pulp from sieve.
15. Rinse cone and repeat steps 5-12 until you have the desired amount of juice.

## CLEANING AND MAINTENANCE

Always unplug your Cuisinart™ Citrus Juicer from the electrical outlet before cleaning.

Rinse juice container, cone and cover before placing on the top shelf of the dishwasher.

Wipe stainless steel housing with a damp cloth (such as a micro-fiber cloth).

DO NOT immerse in water.

Wrap cord using the cord wrap feature located underneath the unit.

Place clean juice container, cone and cover back on unit.

## RECIPES

### FRESH LEMONADE/ FRESH LIMEADE

*A tangy thirst quencher.*

Makes about 2 quarts

- 3/4 cup cold water
- 3/4 cup granulated sugar
- 1 cup fresh lemon or lime juice
- 1 liter/quart cold water or seltzer (for sparkling lemonade)
- ice cubes
- thin lemon or lime slices
- fresh mint leaves (optional garnish)

Combine the cold water and sugar in a 2-quart saucepan. Bring to a boil over high heat, then reduce the heat to low and simmer until the sugar is dissolved. Remove from the heat and let cool. (This is called a "simple syrup", and can be prepared ahead in quantities and kept refrigerated. For one pound of lemons – 1 cup juice – use 1 cup simple syrup.)

Combine juice with cold simple syrup in a large pitcher. Add cold water or seltzer.

Serve in tall glasses over ice. Garnish with lemon slices and fresh mint if desired.

*Nutritional information per serving:*

*Calories 80 (0% from fat) • carb. 21g • pro. 0g  
fat 0g • sat. fat 0g • chol. 0mg . sod. 5mg  
calc. 5mg • Vit. C 14mg (23% DV) • fiber 0g*

---

## CITRUS MINT ICED TEA

*Perfect for a hot summer day.*

Makes 2 quarts

- 3 cups boiling water
- 4 English Breakfast tea bags
- 12 fresh mint leaves
- 1/2 -1 cup sugar, to taste
- 1 cup fresh orange juice
- 1 cup fresh lemon juice
- 4 cups water

Pour boiling water over tea bags and mint; let steep 5 minutes. Remove and discard tea bags and mint leaves. Add sugar and stir until dissolved. Stir in juices and water. If not serving immediately, refrigerate until ready to serve. Serve over ice.

*Nutritional information per serving:*

*Calories 65 (1% from fat) • carb. 17g • pro. 0g  
fat 0g • sat. fat 0g • chol. 0mg • sod. 4mg  
calc. 6mg • Vit. C 19mg (32% DV) • fiber 0g*

## CLASSIC MARGARITA

*Fresh lime juice makes an  
incomparable Margarita.*

Makes 6 cups – enough for eight 6-ounce  
Margaritas

- 1-1/2 cups cold water
- 1-1/2 cups granulated sugar
- 2 cups freshly squeezed lime juice
- 12 ounces Tequila
- 2-1/2 ounces orange liqueur  
(Triple Sec, Cointreau)
- lime wedges
- coarse salt
- crushed ice
- thin lime slices

Place water and sugar in a 2 quart  
Cuisinart® saucepan. Place over  
medium high heat and cook undisturbed,  
to dissolve sugar, 10 to 12 minutes.  
Remove from heat and allow to cool.  
When completely cool, transfer to a large  
pitcher; stir in fresh lime juice. Add  
tequila and orange liqueur; stir to blend.

Rub the rims of Margarita glasses with  
lime wedges and dip in coarse salt if  
desired. Fill the glasses halfway with  
crushed ice. Add Margarita mixture to top  
of glass. Garnish with a thin slice of lime  
and enjoy.

*Nutritional information per serving:*

*Calories 293 (0% from fat) • carb 46g • pro. 0g  
fat 0g • sat. fat 0g • chol. 0mg • sod. 4mg  
calc. 7mg • Vit. C 18mg (30% DV) • fiber 0g*

## FIZZY ORANGE

*Deliciously refreshing, this fizzy beverage  
is a great alternative to sugar-laden sodas  
for both children and adults.*

Makes four 10-ounce servings

- 3 cups fresh orange juice
- 2 cups seltzer or club soda, chilled

Place orange juice in a 1-1/2 quart pitcher.  
Add seltzer/club soda and stir gently.  
Serve immediately over ice. May be  
garnished with a slice of orange and a  
mint leaf.

*Nutritional information per serving:*

*Calories 84 (4% from fat) • carb. 19g • pro. 1g  
fat 0g • sat. fat 0g • chol. 0mg • sod. 27mg  
calc. 26mg • Vit. C 93mg (155% DV) • fiber 0g*

---

## FRESH CITRUS “VINAIGRETTE”

*Fresh orange and lemon juices replace the vinegar in this refreshing dressing. Try it on greens, or use it to create a salad with cooked rice (try a mixture of brown and wild rices), diced vegetables and chopped toasted nuts.*

Makes 7/8 cup.

- 1 teaspoon orange zest, finely chopped
- 1 teaspoon fresh thyme
- 6 tablespoons fresh orange juice
- 2 tablespoons fresh lemon juice
- 2 teaspoons Dijon-style mustard
- pinch kosher salt
- 6 tablespoons “light” olive oil

Place the zest, thyme, orange juice, lemon juice, and mustard in the work bowl of a Cuisinart® Mini-Prep® Food Processor. Process on Chop until blended, 10 seconds. With the machine running, add the oil through one of the small holes in the top. Process until completely emulsified.

Place the zest, thyme, orange juice, lemon juice, mustard, and salt in a small bowl. Whisk to blend. After mixture is blended, continue whisking and add the oil in a slow steady stream – continue whisking until the mixture is emulsified.

*Nutritional information per serving  
(1 tablespoon):*

*Calories 56 (91% from fat) • carb. 1g • pro. 0g  
fat 6g • sat. fat 1g • chol. 0mg • sod. 29mg  
calc. 3mg • Vit. C 5mg (8% DV) • fiber 0g*

## PAN-SEARED SCALLOPS WITH TANGERINE SHALLOT SAUCE

*Serve with freshly steamed snow peas and brown rice to complete the plate*

Makes 2 servings

- 1 pound sea scallops  
(Diver Scallops are best), tough muscle on side removed  
flour to lightly dust scallops
- 1/2 teaspoon kosher salt
- 1/4 teaspoon freshly ground black pepper
- 2 teaspoons extra virgin olive oil
- 3/4 cup dry white vermouth
- 3/4 cup fresh tangerine juice
- 1 tablespoon finely chopped shallot
- 2 tablespoons heavy cream

Make sure scallops are completely dry. Lightly dust tops and bottoms of scallops with flour. Sprinkle with salt and pepper. Heat oil in a Cuisinart® 10-inch nonstick skillet over medium high heat. When hot, place scallops in a single layer in the skillet and cook over medium high heat for 2-3 minutes, until golden brown – do not turn or move. Turn scallops and cook for 2 – 3 minutes on the other side, until golden brown and just barely firm. Transfer scallops to a warm plate and cover loosely. – Do not overcook, scallops will continue to cook as they rest while sauce is prepared.

Wipe the pan clean with double thickness of paper towel. Add wine, juice and chopped shallot to the pan. Cook over medium high heat to reduce liquid by half. When liquid is reduced, stir in heavy cream. Stir and cook until thickened and smooth. Pour half the sauce on each of two warm plates and arrange reserved scallops on the sauce to serve.

*Nutritional information per serving:  
Calories 408 (27% from fat) • carb. 20g • pro 39g  
fat 12g • sat. fat 4g • chol. 95mg • sod. 710mg  
calc. 91mg • Vit. C 36mg (60% DV) • fiber 0g*

---

## PINK GRAPEFRUIT CAKE

*Similar to a pound cake. After baking, fresh grapefruit syrup is poured over the warm cake, and when cool, cake is finished with a grapefruit glaze.*

Makes 16 – 20 servings

- 3 cups all-purpose flour
- 1/2 teaspoon baking soda
- 1/2 teaspoon salt
- Zest of 1 medium grapefruit, finely chopped
- 3 cups granulated sugar, divided
- 1 cup unsalted butter, cut in 1-inch pieces, at room temperature
- 6 large eggs
- 1 cup plain non-fat or lowfat yogurt
- 1 teaspoon almond extract
- 1/2 teaspoon vanilla extract
- 3/4 cup fresh pink grapefruit juice, divided
- 2 cups powdered sugar

Preheat the oven to 350°F. Butter and flour a 10-inch tube or Bundt pan. Place the flour, baking soda and salt in a medium bowl and stir to blend; reserve.

Place the zest, 2-1/2 cups of the granulated sugar, and the butter in a large bowl. Using a Cuisinart® Hand Mixer, mix the sugar, butter and zest on low speed for 30 seconds to combine. Mix, using medium speed until creamed and light – about 3-1/2 to 4 minutes. Scrape the bowl. Add the eggs, yogurt, and extracts; mix on low speed until well blended, about 1 minute. Scrape the bowl. Add the dry ingredients and mix on low speed for 30 seconds. Scrape the bowl and mix until completely blended, about 30 to 40 seconds. Transfer the batter to the prepared pan and spread evenly. Bake in the preheated 350° F oven until a tester inserted in the center comes out clean, 65 to 75 minutes. While the cake is in the oven, prepare the syrup by combining 1/2 cup of the grapefruit juice with the remaining 1/2 cup

of granulated sugar in a small saucepan. Cook over medium heat until the sugar is dissolved, 3 to 5 minutes; keep warm and reserve.

Cool cake in pan on a rack for 5 minutes, then turn out onto the rack; wash and dry the pan. Prick the top and sides of the cake with a cake tester and return it to the pan. Prick the bottom of the cake with the cake tester. Pour the warm grapefruit syrup slowly over the cake, allowing the cake to absorb the syrup. When the syrup has been absorbed, turn the cake out onto the rack to cool completely.

Combine the powdered sugar with the remaining grapefruit juice and stir until blended and smooth. Drizzle the pink grapefruit glaze over the cooled cake. Let rest 30 minutes before cutting.

*Nutritional information per serving:*

*Calories 344 (28% from fat) • carb. 58g • pro 5g  
fat 11g • sat. fat 6g • chol. 89mg • sod. 116mg  
calc. 37mg • Vit. C 4mg (6%DV) • fiber 1g*

## LEMON PUDDING CAKES

*This dessert magically becomes 2 layers – pudding topped with a sponge cake when baked.*

Makes 8 servings.

Cooking spray

- 4 large egg whites
- 1/4 teaspoon cream of tartar
- Zest of 1 lemon, finely chopped
- 1 cup granulated sugar
- 2 tablespoons unsalted butter, at room temperature
- 1/3 cup freshly squeezed lemon juice
- 1-1/2 cups whole milk
- 3 large egg yolks
- 4 tablespoons all-purpose flour
- 1/8 teaspoon salt
- powdered sugar



---

Preheat the oven to 350° F. Lightly coat eight 6-ounce ramekins with cooking spray.

Place the zest, 1/4 cup of the sugar and the butter in a medium bowl. Using a Cuisinart® Hand Mixer, mix on low speed until blended. Add remaining sugar, lemon juice, egg yolks, and milk. Mix on low speed until combined, about 30 to 40 seconds. The mixture may look curdled – that is okay. In a clean bowl, beat the egg whites with clean beaters/whisk attachment until stiff but not dry. Gently fold the egg whites into the lemon mixture. Divide the mixture among the prepared ramekins. Place the ramekins in a shallow pan and add boiling water until it reaches halfway up the sides of the ramekins. Place the pan in the preheated 350° oven and bake for 45 minutes. Remove carefully from the hot water bath and place on a rack to cool.

May be served warm or cold. May be served in the ramekins or when chilled. Loosen the edges of the cake with a thin bladed knife and invert each portion onto dessert plates – the pudding will then be on top.

*Nutritional analysis per serving:*

*Calories 207 (33% from fat) • carb. 30g • pro. 5g  
fat 8g • sat. fat 4g • chol. 98mg • sod. 103mg  
calc. 67mg • Vit. C 1mg (2% DV) • fiber 0g*

## TANGY CITRUS SORBET

*Tangy Citrus Sorbet makes a refreshing ending to a rich meal.*

Makes about 1 quart.

- 2 tablespoons tangerine/tangelo zest, finely chopped
- 1 tablespoon lemon zest, finely chopped
- 1-1/2 cups granulated sugar
- 1/2 cup water
- 2-1/4 cups tangerine juice
- 1/2 cup lemon juice

Combine sugar and water in a small saucepan over medium high heat; cook until sugar is dissolved. Allow to cool completely. Stir in zests and juices. Freeze in Cuisinart® Ice Cream-Frozen Yogurt and Sorbet Maker, 20 to 25 minutes.

*Nutritional information per serving:*

*Calories 239 (1% from fat) • carb. 62g • pro. 1g •  
fat 0g • sat. fat 0g • chol. 0mg • sod. 2mg •  
calc. 23mg • Vit. C 42mg (70% DV) • fiber 0g*

---

## WARRANTY

### Three-Year Limited Warranty

This warranty supersedes all previous warranties on Cuisinart™ Citrus Juicers. This warranty is available to consumers only. You are a consumer if you own a Cuisinart™ Citrus Juicer that was purchased at retail for personal, family, or household use. Except as otherwise required under applicable state law, this warranty is not available to retailers or other commercial purchasers or owners. We warrant that your Cuisinart™ Citrus Juicer will be free of defects in material or workmanship under normal home use for three years from the date of original purchase. We suggest that you complete and return the enclosed warranty registration card promptly to facilitate verification of the date of original purchase.

However, return of this product registration card does not eliminate the need for the consumer to maintain the original proof of purchase in order to obtain the warranty benefits. In the event that you do not have proof of purchase date, the purchase date for purposes of this warranty will be the date of manufacture.

If your juicer should prove to be defective within the warranty period, we will repair it (or, if we think it necessary, replace it) without charge to you. To obtain warranty service, please call our Consumer Service Center toll-free at 1-800-726-0190, or write to:

Cuisinart  
150 Milford Road  
East Windsor, NJ 08520

To facilitate the speed and accuracy of your return, please enclose \$10.00 for shipping and handling of the product. Please also be sure to include a return address, daytime phone number, description of the product defect, product serial

number (stamped on bottom of product base), and any other information pertinent to the product's return.

Please pay by check or money order. (California residents need only supply proof of purchase and should call 1-800-720-0190 for shipping instructions). Your Cuisinart™ Citrus Juicer has been manufactured to strict specifications and has been designed for use with the Cuisinart™ Citrus Juicer accessories and replacement parts. These warranties expressly exclude any defects or damages caused by accessories, replacement parts, or repair service other than those that have been authorized by Cuisinart. These warranties do not cover any damage caused by accident, misuse, shipment, or other than ordinary household use. These warranties exclude all incidental or consequential damages. Some states do not allow the exclusion of or limitation of incidental or consequential damages, so the foregoing limitation may not apply to you.

## CALIFORNIA RESIDENTS ONLY

California law provides that for In-Warranty Service, California residents have the option of returning a nonconforming product (A) to the store where it was purchased or (B) to another retail store which sells Cuisinart products of the same type. The retail store shall then, according to its preferences, either repair the product, refer the consumer to an independent repair facility, replace the product, or refund the purchase price less the amount directly attributable to the consumer's prior usage of the product. If either of the above two options does not result in the appropriate relief to the consumer, the consumer may then take the product to an independent repair facility if service or repair can be economically accomplished.\* Cuisinart and not the consumer will be responsible for the

---

reasonable cost of such service, repair, replacement, or refund for nonconforming products under warranty.

California residents may also, according to their preference, return nonconforming products directly to Cuisinart for repair or, if necessary, replacement by calling our Consumer Service Center toll-free at 800-726-0190. Cuisinart will be responsible for the cost of the repair, replacement, and shipping and handling for such nonconforming products under warranty.

## **BEFORE RETURNING YOUR CUISINART PRODUCT**

If you are experiencing problems with your Cuisinart product, we suggest that you call our Consumer Service Center at 1-800-726-0190 before returning the product for servicing. Often, our Consumer Service Representatives can help solve the problem without having the product serviced. If servicing is needed, a Representative can confirm whether the product is under warranty and direct you to the nearest service location.

**\* Important:** If the nonconforming product is to be serviced by someone other than Cuisinart's Authorized Service Center, please remind the servicer to call our Consumer Service Center at 1-800-726-0190 to ensure that the problem is properly diagnosed, the product is serviced with the correct parts, and to ensure that the product is still under warranty.

---

# Cuisinart®

SAVOR THE GOOD LIFE®



Coffeemakers



Food Processors



Toaster Ovens



Blenders



Cookware



Ice Cream Makers

Cuisinart offers an extensive assortment of top quality products to make life in the kitchen easier than ever. Try some of our other countertop appliances and cookware, and Savor the Good Life®.

[www.cuisinart.com](http://www.cuisinart.com)

©2003 Cuisinart  
Cuisinart® is a registered  
trademark of Cuisinart

150 Milford Road  
East Windsor, NJ 08520  
Printed in China  
03CU13138

IB-4687