

PT660

Universal Tilt Wall Mount for 37" to 60" Flat Panel Displays

Easily install larger displays with this simple, intuitive mounting solution. Its simple three step installation combined with its tool-less tilt angle adjustment enables flat panel displays to be installed and adjusted quickly. Cables are easily managed behind the display with access ports in the wall plate. For perfect display positioning, center the display by smoothly sliding it along the wall plates horizontal rails.



Display size: 37"-60"



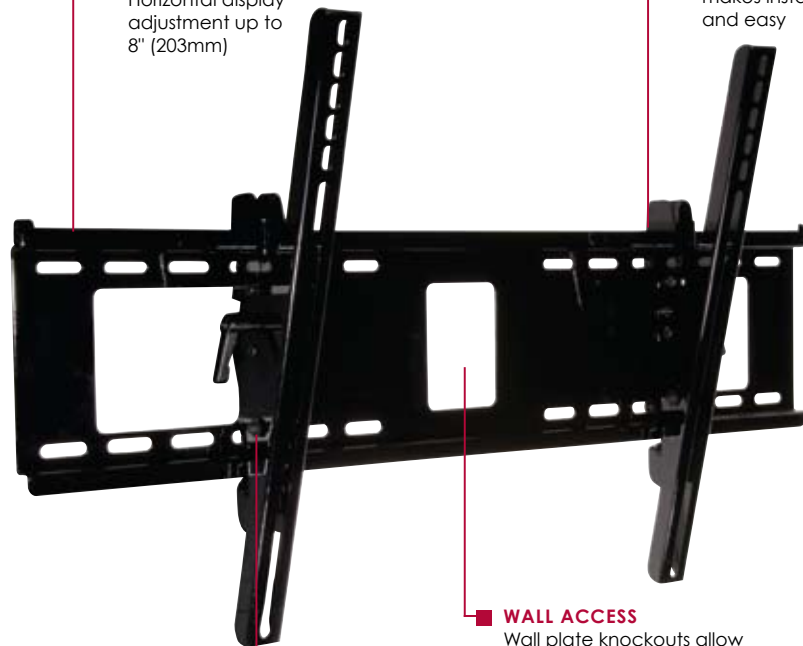
Max load: 200lb (91kg)

FEATURES

- Universal mount accommodates displays with mounting hole patterns up to 738 x 449mm (29.04" W x 17.67" H)
- Adjustable up to 15° of forward tilt and up to -5° backward tilt for optimal viewing angle
- Easy-Grip™ handle locks the display position into place
- Wall access ports for easy access to electrical outlets and cable management
- Horizontal display adjustment of up to 8" (203mm) (depending on display model) for perfect display placement
- Mounts to wood studs, concrete, cinderblock or metal studs (metal stud accessory required)
- Comes with Peerless-AV Sorted-for-You™ fastener pack with all necessary screen attachment hardware
- UL Listed

■ **VIEWING FLEXIBILITY**
Horizontal display adjustment up to 8" (203mm)

■ **EASY INSTALLATION**
Simple hook-on design makes installation quick and easy



■ **WALL ACCESS**
Wall plate knockouts allow for wall access improving cable management options

■ **INCRELOK™**
Optional tilt angle lock in 5° increments



Tilt adjustment of +15/-5°



PT660	Universal Tilt Wall Mount for 37" to 60" Flat Panel Displays
--------------	--

Product Specifications

	DIMENSIONS (W x H x D)	PRODUCT WEIGHT	LOAD CAPACITY	FINISH	AVAILABLE COLORS
PT660	30.75" x 18.5" x 2.56" (781 x 470 x 65mm)	9.6lb (4.4kg)	200lb (91kg)	Scratch resistant fused epoxy	High gloss black

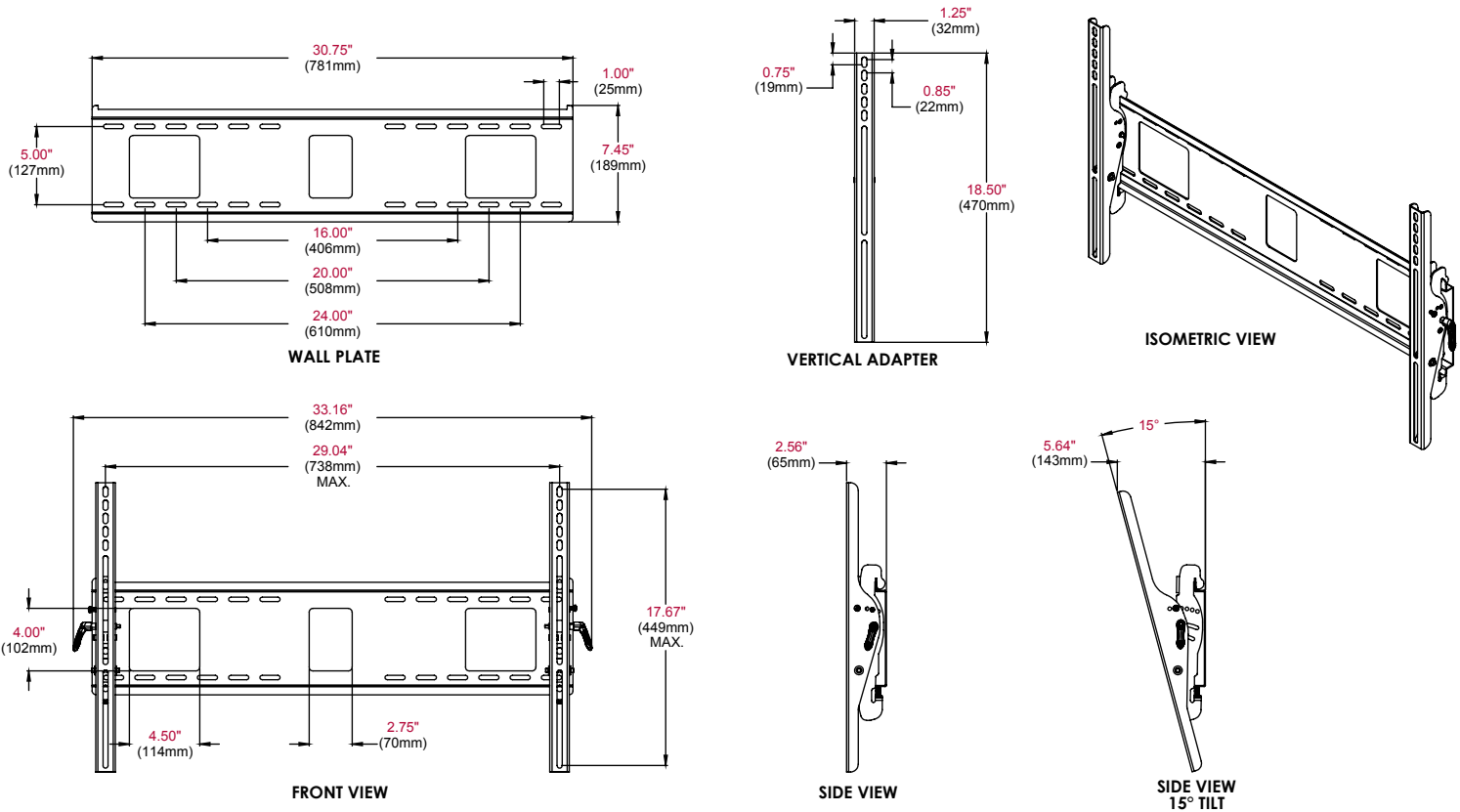
Package Specifications

	PACKAGE SIZE (W x H x D)	PACKAGE SHIP WEIGHT	PACKAGE UPC CODE	PACKAGE CONTENTS	UNITS IN PACKAGE
PT660	31.8" x 8.63" x 3.88" (808 x 219 x 99mm)	10.5lb (4.8kg)	735029254898	Wall plate, universal adapters, mounting and display attachment hardware	1

Accessories

- ACC925:** Security Fasteners
- ACC415:** 4-pack Metal Stud Fastener Kit

All dimensions = inch (mm)



ARCHITECTS SPECIFICATIONS

The Universal Tilt Wall Mount shall be a Peerless-AV model PT660 and shall be located where indicated on the plans. It shall be constructed of heavy gauge cold rolled steel and finished with scratch resistant Black Fused Epoxy. Assembly and installation shall be done according to instructions provided by the manufacturer.