

# NE-NVP-RA

## Vandal Proof Sub Station with Dual Master NEM System

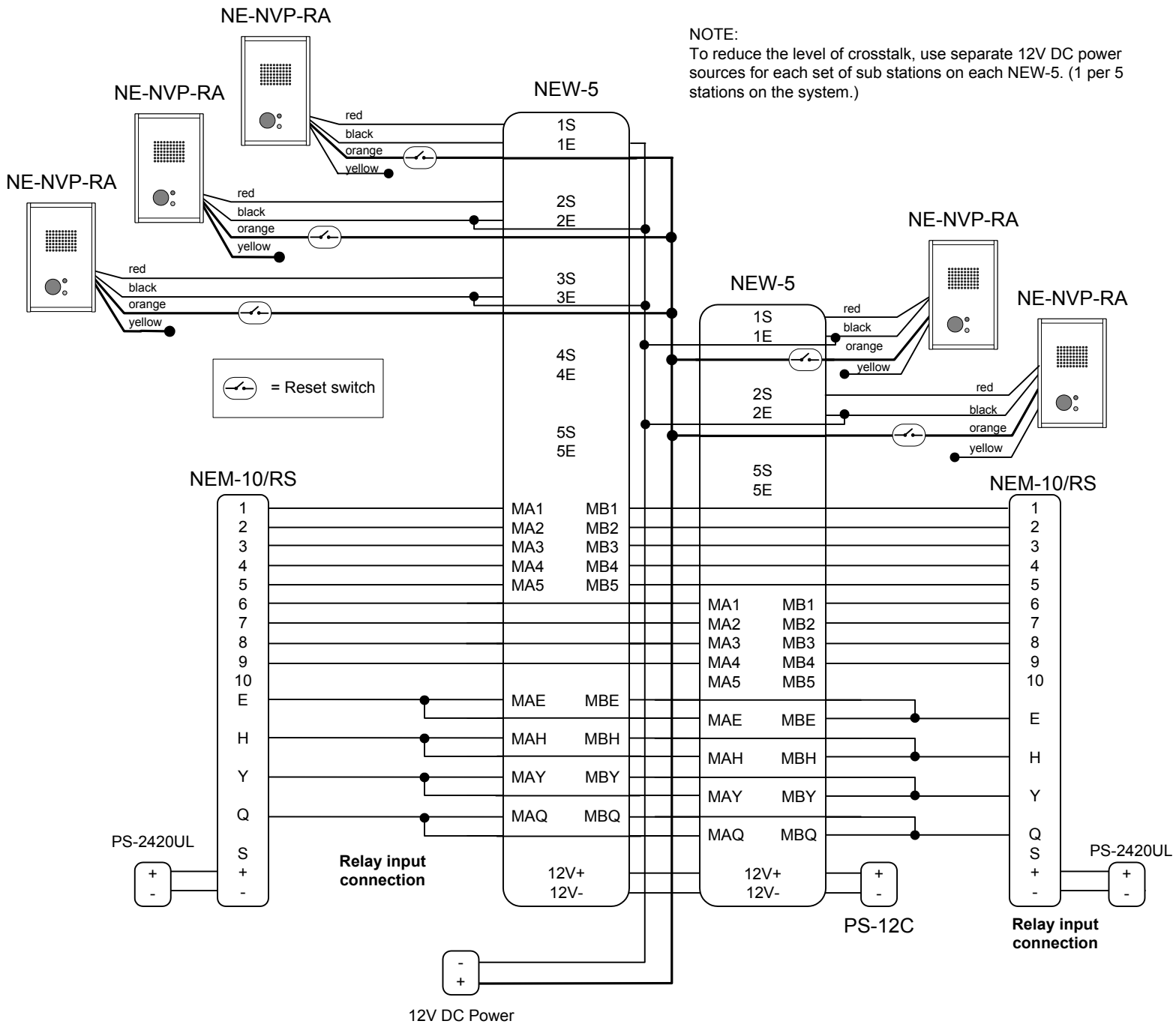
Requires surface mount box  
**SBX-NVP**

ADA  
Americans with  
Disabilities Act

### - INSTRUCTIONS -

**WIRING DIAGRAM:**

**DUAL MASTER SYSTEM USING NEW-5 ADAPTORS AND NEM-nRS MASTER STATIONS**



**OPERATION:**

1. When a sub station places a call, the "Call Placed" (Red) LED on the sub station light.
2. When a call is answered, the red "Call Placed" LED on the sub turns off, and the green "Help Coming" LED turns on.
3. When the master station's RESET button is pressed, the green "Help Coming" LED's will go off on any sub station that has been answered since the last time the Reset button has been pressed.
4. If overhead lamps are installed in the system, they will light in the same way that the LED's light, as described above.

**BRILLE SIGNAGE:**

The NE-NVP-RA is equipped with Braille signage for the visually impaired.

ON TOP OF UNIT:

EMERGENCY  
"EMERGENCY - CALL FOR HELP"

ON BOTTOM OF UNIT:

"PUSH BUTTON. TONE INDICATES CALL PLACED"

Plating material is .012" aluminum with 5 letter spacing.

**SPECIFICATIONS:**

Power Source: Supplied by master station  
 Speaker: 20 ohms, 3" diameter, water proof and puncture resistant, 2.5 oz. ceramic magnet  
 Call Button: Single pole, single throw (SPST), normally open (N/O)  
 Faceplate: 11 gauge carbon steel with powder-coated white baked epoxy finish  
 Call Annunciation: Pressing call button at sub latches call at NEM master until answered  
 Communication: Hands free at sub. Master is push-to-talk or VOX handset  
 Mounting Hardware: Tamper proof screws  
 Terminations: Color-coded prewired pigtails  
 Wiring: With remote reset switch: 4-conductor homerun from each sub, or 3 common wires plus 1 individual wire per sub station, looped.  
 With NEM-RS master: 4-conductor homerun from each sub, or 3 common wires plus 1 individual wire per sub station, looped.  
 Shielded wire is recommended.  
 Use Aiphone #822206 for homerun wiring, #822210 for up to 6 stations on each run, or #822220 for up to 17 stations on each run.  
 Wiring Distance: 420' with 22AWG; 1,000' with 18AWG.  
 Dimensions (H x W x D): NE-NVP-RA alone: 7-1/2" x 5-1/2" x 2". With SBX-NVP: 8-5/8" x 6-5/8" x 2-1/4"

**TOLL FREE TECHNICAL SUPPORT:**

(800) 692-0200

**TOLL FREE FAX LINE:**

(800) 832-3765

**TECHNICAL SUPPORT E-MAIL:**

tech-serv@aiphone.com

Aiphone Communication Systems  
1700 130th Ave. N.E.  
Bellevue, WA 98005  
(425) 455-0510  
FAX (425) 455-0071