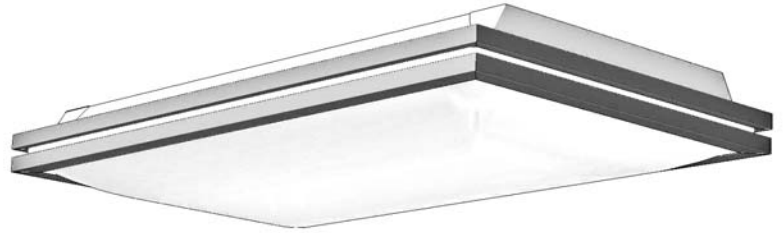


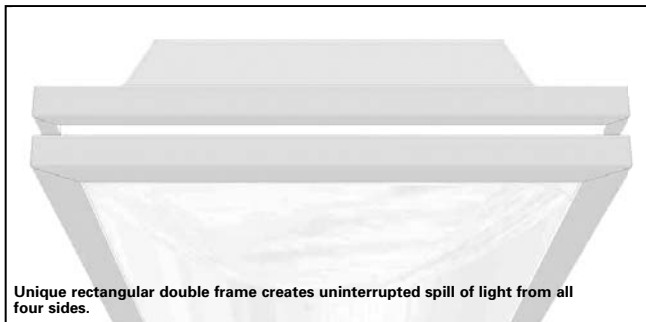
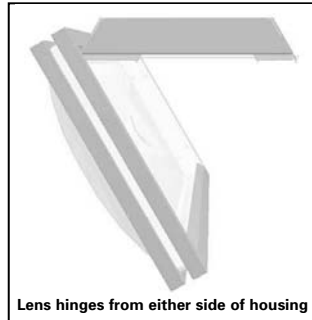
Architectural Surface Fluorescent
15-1/2" Wide, 26" Length, 4 Lamp T8 or 2 Lamp TT5

Features

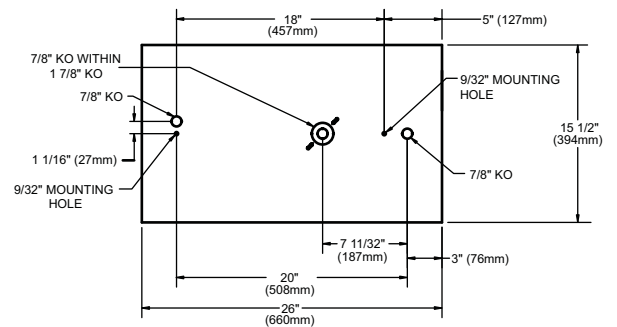
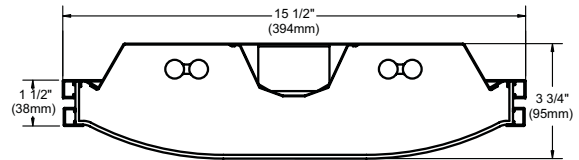
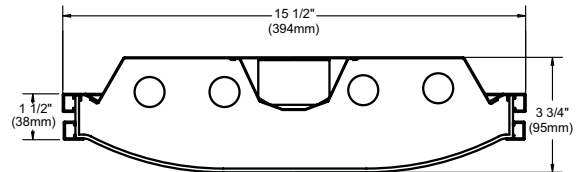
- Excellent for lighting Cafeterias, Small Offices, Corridors, Kitchens and Family Rooms.
- Unique rectangular double frame creates uninterrupted spill of light from all four sides.
- Extruded Aluminum Frame with mitered corners.
- 1/8" thick white acrylic lens containing 25% DR.
- Only 3-3/4" total depth.
- Step back housing for an apparent depth of 1-1/2".
- 63.9% efficient (2 lamp TT5)
- 61.5% efficient (4 lamp T8)
- Lens opens and hinges from either side.
- Zip-clip flush mount on T-grid ceilings.
- Off-center 7/8" K.O. for flush mount to T-grid ceiling.



Features



Dimensions



Job Information

Type:

Job Name:

Cat. No.:

Lamp(s):

Volts/Ballast:

For Factory Technical Information: (978) 657-7600 • Fax (978) 658-0595
631 Airport Road, Fall River, MA 02720 • (508) 679-8131 • Fax (508) 674-4710
We reserve the right to change details of design, materials and finish.
www.lightolier.com © 2009 a Philips Group

02/09

Section 3A/Folio H10-11 Rev. A

Chassis

Model No. BE2W417UNVH4

with shielding BESF2X2

LER = FP - 48.0 IW - 54.3 BF - 0.88
Comparative yearly lighting energy cost per
1000 lumens = \$5.00

Report Number: G2007088
Lamp: (4) F17T8
Luminaire: 2X2 Belmont Spill Frame
Ballast: ICN-4P32-SC
Report is based on 1375 Lumens per lamp.
Efficiency: 53.9%
CIE Type - Direct
Plane: 0-Deg 90-Deg
Spacing Criteria: 1.2 1.2
Shielding Angles: 90 90
Plane: 0-Deg 90-Deg
Luminous Length: 25.200 15.000

ZONAL LUMEN SUMMARY

ZONE	LUMENS	% LAMP	% FIXT
0- 30	771	14.0	26.9
0- 40	1258	22.9	43.9
0- 60	2214	40.3	77.3
0- 90	2863	53.9	100.0
90-180	0	0.0	0.0
0-180	2863	53.9	100.0

LUMINANCE DATA IN CANDELA/SQ. METER

AVERAGE IN DEG.	AVERAGE 0-DEG.	AVERAGE 45-DEG.	AVERAGE 90-DEG.
45	3459.	3415.	3363.
55	3184.	3131.	3082.
65	2785.	2754.	2711.
75	2129.	2243.	2290.
85	1148.	1890.	1933.

CANDELA DISTRIBUTION

	0.0	45.0	90.0	FLUX
0	1000	1000	1000	
5	993	994	994	95
15	952	955	956	270
25	877	883	886	407
35	773	779	784	488
45	645	653	659	503
55	497	506	515	452
65	337	350	361	346
75	175	199	218	210
85	47	90	105	93
90	25	55	72	

COEFFICIENTS OF UTILIZATION - ZONAL CAVITY METHOD. EFFECTIVE FLOOR CAVITY REFLECTANCE 0.20

RC	80	50	30	10
RW 70	58	55	51	49
1	58	55	51	49
2	53	48	44	45
3	48	42	38	39
4	44	37	33	35
5	40	33	28	31
6	37	30	25	28
7	35	27	22	26
8	32	25	20	23
9	30	23	18	21
10	28	21	17	20

Chassis

Model No. BE2W2FTUNVIB

with shielding BESF2X2

LER = FP - 47.6 IW - 64.75 BF - 0.88
Comparative yearly lighting energy cost per
1000 lumens = \$5.04

Report Number: G2008136
Lamp: (2) TT5 40W
Luminaire: 2X2 Belmont Spill Frame
Ballast: ICN-2TTP40-SC
Report is based on 3300 Lumens per lamp.
Efficiency: 53.1%
CIE Type - Direct
Plane: 0-Deg 90-Deg
Spacing Criteria: 1.3 1.3
Shielding Angles: 90 90
Plane: 0-Deg 90-Deg
Luminous Length: 25.200 15.000

ZONAL LUMEN SUMMARY

ZONE	LUMENS	% LAMP	% FIXT
0- 30	923	14.0	26.3
0- 40	1513	22.9	43.2
0- 60	2688	40.7	76.7
0- 90	3503	53.1	100.0
90-180	0	0.0	0.0
0-180	3503	53.1	100.0

LUMINANCE DATA IN CANDELA/SQ. METER

AVERAGE IN DEG.	AVERAGE 0-DEG.	AVERAGE 45-DEG.	AVERAGE 90-DEG.
45	4996.	5053.	5098.
55	4807.	4893.	4956.
65	4477.	4636.	4753.
75	3898.	4348.	4677.
85	3292.	5813.	6687.

CANDELA DISTRIBUTION

	0.0	45.0	90.0	FLUX
0	1188	1188	1188	
5	1182	1182	1184	113
15	1137	1141	1142	322
25	1053	1059	1062	488
35	936	943	948	590
45	788	797	804	615
55	615	626	634	559
65	422	437	448	432
75	225	251	270	265
85	64	113	130	118
90	30	69	87	

COEFFICIENTS OF UTILIZATION - ZONAL CAVITY METHOD. EFFECTIVE FLOOR CAVITY REFLECTANCE 0.20

RC	80	50	30	10
RW 70	57	55	52	51
1	57	55	52	51
2	52	47	44	44
3	47	42	37	39
4	43	37	32	35
5	40	33	28	31
6	37	29	25	28
7	34	27	22	25
8	32	24	20	23
9	30	22	18	21
10	28	21	16	20

Ordering Information

Chassis Code:

BE	2				UNV		
-----------	----------	--	--	--	------------	--	--

Belmont Architectural Fluorescent

Fixture Width: 2 = 15 1/2" wide

Body Finish: W = White B = Black

Lamp Quantity: 4 = 4 Lamp T8 2 = 2 Lamp TT5

Lamp: (By Others) 17 = T8 17W FT = TT5 40W (Nominal 24")

Voltage: UNV=120-277

Options:

Add appropriate suffix to catalog no., ie: (GLR)

Consult factory for additional options.

Ballast Type:

2 - 2 Lamp Elec. T8 (17 Watt)

1 - 4 Lamp Elec. T8 (17 Watt)

2 - Lamp Elect. TT5 (40 Watt)

†Instant Start (UNV)

<10THD

HI †

H4 †

IB †

NOTE: Chassis and shielding are packed in separate cartons. **When ordering, enter as separate line items.**

Length	Shielding	Chassis	Finish	Lamp	Ballast	10THD
2'	BESF2X2	BE2B417UNVHI	Black	4-T8	2 - 2 Lamp	HI
2'	BESF2X2	BE2W417UNVHI	White	4-T8	2 - 2 Lamp	HI
2'	BESF2X2	BE2B417UNVH4	Black	4-T8	1 - 4 Lamp Elec.	H4
2'	BESF2X2	BE2W417UNVH4	White	4-T8	1 - 4 Lamp Elec.	H4
TT5						
2'	BESF2X2	BE2B2FTUNVIB	Black	2-TT5	1 - 2 Lamp Elec.	IB
2'	BESF2X2	BE2W2FTUNVIB	White	2-TT5	1 - 2 Lamp Elec.	IB

Specifications

Finish: Chassis exterior—white baked polyester enamel. Cavity- white baked polyester enamel minimum 86% reflectance. Rust preventative undercoating

Frame: Extruded aluminum with soft white polyester powder coat finish.

Lens: One-piece vacuum formed white acrylic containing 25% DR with decorative trim.

Electrical: Thermally protected class "P" ballast C.B.M. approved, no PCB. If KO is within 3" of ballast, use wire suitable for at least 90°.

Labels: I.B.E.W./UL and ULc Listed.

NOTE: Chassis and shielding shown are stock items.

Job Information

Type:

For Factory Technical Information: (978) 657-7600 • Fax (978) 658-0595
631 Airport Road, Fall River, MA 02720 • (508) 679-8131 • Fax (508) 674-4710

We reserve the right to change details of design, materials and finish.

www.lightolier.com © 2009 a Philips Group

Section 3A/Folio H10-11 Rev. A