

bryant

**day &
night**

Payne

Model 349MAV Horizontal Condensing Furnace

USER'S INFORMATION MANUAL FOR THE OPERATION AND MAINTENANCE OF YOUR NEW GAS-FIRED FURNACE

WARNING: If the information in this manual is not followed exactly, a fire or explosion may result causing property damage, personal injury or loss of life.

- Do not store or use gasoline or other flammable vapors and liquids in the vicinity of this or any other appliance.
- **WHAT TO DO IF YOU SMELL GAS:**
 - Do not try to light any appliance.
 - Do not touch any electrical switch; do not use any phone in your building.
 - Immediately call your gas supplier from a neighbor's phone. Follow the gas supplier's instructions.
 - If you cannot reach your gas supplier, call the fire department.
- Installation and service must be performed by a qualified installer, service agency or the gas supplier.

NOTE TO INSTALLER:

This manual must be left with the equipment user.

With Hot Surface Ignition

Bryant, Day & Night, Payne Brands

IMPORTANT!

Please Fill Out And Return Within The Next 10 Days.

IMPORTANT!

1. Mr. 2. Mrs. 3. Ms. 4. Miss

First Name _____ Initial _____ Last Name _____ 89101-01

Street _____ Apt. No. _____

City _____ State _____ ZIP Code _____

5. Date of Installation: _____

Month _____ Day _____ Year _____

6. Important! For proper registration, please fill in the model number, and serial number of this product:

A. Model Number: _____

B. Serial Number: _____

7. What type of product is this?

1. Central Air Conditioner
 2. Gas Furnace
 3. Oil Furnace
 4. Electric Furnace
 5. Heat Pump

8. Price paid for this product (excluding installation charges and sales tax): \$ _____ .00

9. Price paid for installation: \$ _____ .00

10. Name of company that sold you this product: _____

11. What brand is this product?

1. Bryant 2. Day & Night 3. Payne

12. When did you acquire your product?

1. Upon purchase of a new dwelling.
 2. To replace an older system of the same brand.
 3. To replace an older system of another brand.
 4. Within a year after purchasing a dwelling with no central air.
 5. 2-4 years after buying a dwelling with no central air system.
 6. Over 4 years after buying a dwelling with no central air system.

13. If you replaced an older system, approximately how old was that system?

1. Don't know
 2. 1-5 years
 3. 6-8 years
 4. 9-11 years
 5. 12-14 years

14. If this is a replacement, what brand did you previously own?

1. Armana
 2. Bryant
 3. Carrier
 4. Day & Night
 5. Heil

6. Janitrol
 7. Lennox
 8. Payne
 9. Rheem
 10. Ruud

11. Snyder
 12. Tempstar
 13. Trane
 14. York
 15. Other _____

15. Excluding yourself, what is the SEX and AGE (in years) of children and other adults living in your household?

Sex	Age	1	2	3	4	5	6	7	8	9	10
Male	Female										
		years	years	years	years	years	years	years	years	years	years

16. Marital Status:

1. Married 2. Divorced/Separated 3. Widowed 4. Never Married (Single)

17. Occupation:

1. Homemaker
 2. Professional/Technical
 3. Upper Management/Executive
 4. Middle Management
 5. Sales/Marketing
 6. Clerical or Service Worker
 7. Tradesman/Machine Oper./Laborer
 8. Retired
 9. Student
 10. Self Employed/Business Owner

18. Which credit cards do you use regularly?

1. American Express, Diners Club
 2. MasterCard, Visa, Discover
 3. Department Store, Oil Company, etc.
 4. Do not use credit cards

19. To help us understand our customers' lifestyles, please indicate the interests and activities in which you or your spouse enjoy participating on a regular basis:

01. <input type="checkbox"/> Bicycling Frequently	18. <input type="checkbox"/> Crafts	35. <input type="checkbox"/> Gourmet Cooking
02. <input type="checkbox"/> Golf	19. <input type="checkbox"/> Automobile Work	36. <input type="checkbox"/> Wines
03. <input type="checkbox"/> Physical Fitness/Exercise	20. <input type="checkbox"/> Electronics	37. <input type="checkbox"/> Coin/Stamp Collecting
04. <input type="checkbox"/> Running/Jogging	21. <input type="checkbox"/> Home Workshop/Do It Yourself	38. <input type="checkbox"/> Collectibles/Collections
05. <input type="checkbox"/> Snow Skiing Frequently	22. <input type="checkbox"/> Recreational Vehicles	39. <input type="checkbox"/> Our Nation's Heritage
06. <input type="checkbox"/> Tennis Frequently	23. <input type="checkbox"/> Stereo, Records/Tapes/CDs	40. <input type="checkbox"/> Real Estate Investments
07. <input type="checkbox"/> Camping/Hiking	24. <input type="checkbox"/> Buy Pre-Recorded Videos	41. <input type="checkbox"/> Stock/Bond Investments
08. <input type="checkbox"/> Fishing Frequently	25. <input type="checkbox"/> Avid Book Reading	42. <input type="checkbox"/> Entering Sweepstakes
09. <input type="checkbox"/> Hunting/Shooting	26. <input type="checkbox"/> Bible/Devotional Reading	43. <input type="checkbox"/> Casino Gambling
10. <input type="checkbox"/> Power Boating	27. <input type="checkbox"/> Health/Natural Foods	44. <input type="checkbox"/> Science Fiction
11. <input type="checkbox"/> Sailing	28. <input type="checkbox"/> Photography	45. <input type="checkbox"/> Wildlife/Environmental Issues
12. <input type="checkbox"/> House Plants	29. <input type="checkbox"/> Home Furnishing/Decorating	46. <input type="checkbox"/> Dieting/Weight Control
13. <input type="checkbox"/> Grandchildren	30. <input type="checkbox"/> Attending Cultural/Arts Events	47. <input type="checkbox"/> Science/New Technology
14. <input type="checkbox"/> Needlework/Knitting	31. <input type="checkbox"/> Fashion Clothing	48. <input type="checkbox"/> Self Improvement
15. <input type="checkbox"/> Vegetable Gardening	32. <input type="checkbox"/> Fine Art/Antiques	49. <input type="checkbox"/> Walking for Health
16. <input type="checkbox"/> Flower Gardening	33. <input type="checkbox"/> Foreign Travel	50. <input type="checkbox"/> Watching Sports on TV
17. <input type="checkbox"/> Sewing	34. <input type="checkbox"/> Travel in the USA	

20. Using the numbers in the above list, please indicate the 3 most important activities for:

You _____ Spouse _____

21. Please check all that apply to your household:

1. Regularly Purchase Items Through the Mail
 2. Military Veteran in Household
 3. Member of Frequent Flyer Program

4. Support Health Charities
 5. Subscribe to Cable TV
 6. Have a Microwave Oven
 7. Have a CD Player

8. Have a VCR
 9. Use a Personal Computer
 10. Have a Dog
 11. Have a Cat

22. Thanks for taking the time to fill out this questionnaire. Your answers will be used for market research studies and reports — and will help us better serve you in the future. They will also allow you to receive important mailings and special offers from a number of firms companies whose products and services relate directly to the specific needs, hobbies, and other information indicated above. Through this selective program you will be able to obtain information that you would not otherwise receive. If you are interested and less about those in which you are not, please check them in for some reason, you would like to participate in the opportunity.

If you have comments or suggestions about our product please write to:

Consumer Relations Department
 BDP Brands
 P.O. Box 4809
 Syracuse, NY 13221
 or call 1-800-227-7437

Field Here _____

23. Please send products and other correspondence to:

BDP Brands
 Consumer Relations Department
 P.O. Box 4809
 Syracuse, NY 13221
 or call 1-800-227-7437

24. Which group describes your annual family income?

1. <input type="checkbox"/> Under \$15,000	7. <input type="checkbox"/> \$40,000-\$44,999
2. <input type="checkbox"/> \$15,000-\$19,999	8. <input type="checkbox"/> \$45,000-\$49,999
3. <input type="checkbox"/> \$20,000-\$24,999	9. <input type="checkbox"/> \$50,000-\$59,999
4. <input type="checkbox"/> \$25,000-\$29,999	10. <input type="checkbox"/> \$60,000-\$74,999
5. <input type="checkbox"/> \$30,000-\$34,999	11. <input type="checkbox"/> \$75,000-\$99,999
6. <input type="checkbox"/> \$35,000-\$39,999	12. <input type="checkbox"/> \$100,000 & over

25. Education: (please check those which apply)

	You	Spouse
Some High School or Less	<input type="checkbox"/>	<input type="checkbox"/>
Completed High School	<input type="checkbox"/>	<input type="checkbox"/>
Vocational/Technical School	<input type="checkbox"/>	<input type="checkbox"/>
Some College	<input type="checkbox"/>	<input type="checkbox"/>
Completed College	<input type="checkbox"/>	<input type="checkbox"/>
Some Graduate School	<input type="checkbox"/>	<input type="checkbox"/>
Completed Graduate School	<input type="checkbox"/>	<input type="checkbox"/>

89101-01

PLACE
FIRST-CLASS
STAMP
HERE

BDP BRANDS
P O BOX 173246
DENVER CO 80217-3246

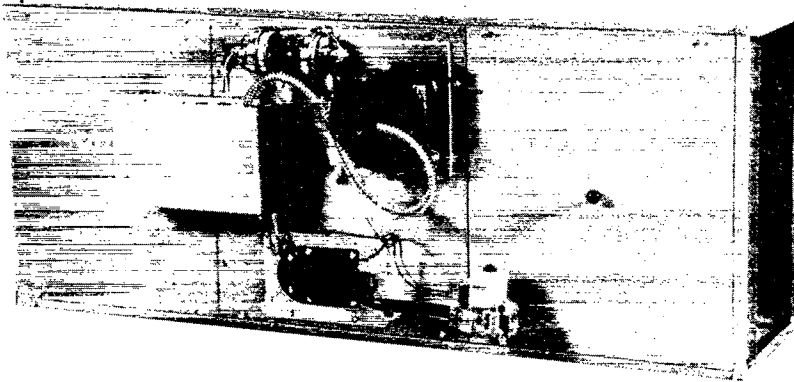
WELCOME TO A NEW GENERATION OF COMFORT

Congratulations! In light of rising energy costs, this deluxe gas-fired, condensing furnace is one of the soundest investments today's homeowner can make.

Your new furnace is truly a triumph of technology in home heating. The design employs two heat exchangers to "squeeze" out the maximum amount of heat from the fuel consumed. In fact, your new furnace is so efficient, over 90%* of the heat generated during combustion is captured and delivered inside your home. That's more than a 33%* increase in heating efficiency over conventional furnaces.

This unit is not only one of the most energy-efficient furnaces you can buy today, it is also one of the safest and most dependable. We are proud of the technological advances incorporated into this furnace design. With only minimal care, your new furnace will deliver many years of money-saving home comfort and enjoyment. Spend just a few minutes with this manual to learn the operation of your new furnace and the small amount of maintenance it takes to help keep it operating at peak efficiency year after year.

*The output capacity and any representations of efficiency for this furnace are based on standard Department of Energy test procedures.



1

A91180

**MODEL 349MAV
HORIZONTAL FURNACE**

FURNACE IDENTIFICATION

For your convenience, record the product and serial numbers of your new furnace on the form below. Should you ever require service, you will have ready access to the information needed by the service representative.

Product No. _____

Serial No. _____

Date Installed _____

Dealer Name _____

Address _____

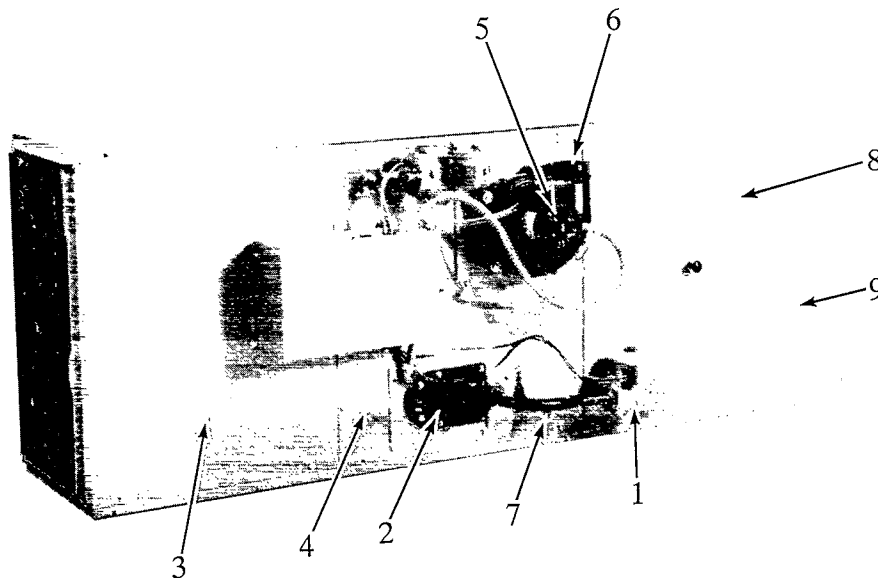
City _____

State _____ Zip _____

Telephone _____

HORIZONTAL FURNACE COMPONENTS

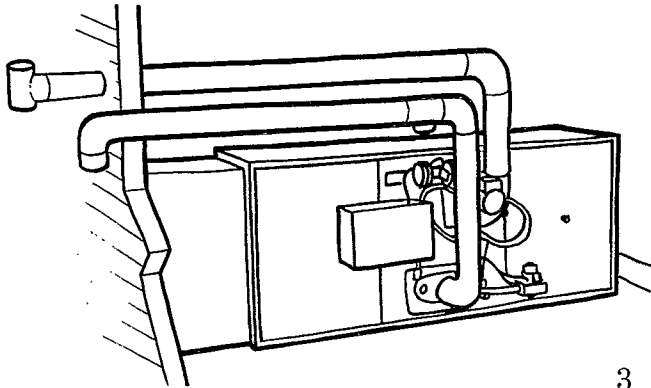
- 1 Gas valve. Safe, efficient. Features two separate gas shut-off valves.
- 2 Burner assembly (inside). Operates with hot surface ignitor, inshot burners, and flame sensor for safe, dependable heating.
- 3 Primary serpentine heat exchanger (inside). Stretches fuel dollars with the S-shaped heat flow design. Solid construction of corrosion-resistant aluminized steel means reliability.
- 4 Secondary condensing heat exchanger (inside). Wrings out more heat through condensation. Constructed with corrosion-resistant steel to ensure durability.
- 5 Inducer motor. Pulls hot flue gases through the heat exchangers, maintaining negative pressure for added safety.
- 6 Vent outlet. Uses PVC pipe to carry vent gases from the home.
- 7 Condensate drain trap. Collects moisture condensed from burned gases for disposal into home drain system.
- 8 Heavy-duty blower (inside). Circulates air, scrubbing the heat exchangers to speed condensation and transfer extra heat into the home.
- 9 Air filter, and wire filter retainer (inside).



MODEL 349MAV HORIZONTAL FURNACE

IMPORTANT FACTS

Your gas furnace uses air from **outside the home** for combustion and venting. It is not to be installed using in-house air. Therefore, both pipes must terminate outside the structure. These pipes must not be obstructed in any way.



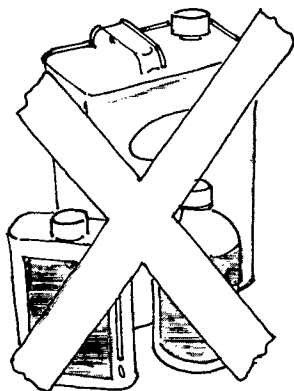
3

A91181

To minimize the possibility of serious personal injury, fire, damage to your furnace, or improper operation, **carefully follow these safety rules:**

- Keep the area around your furnace free of combustible materials, gasoline, and other flammable liquids and vapors.
- Do not cover the furnace, store trash or debris near it, or in any way block the flow of fresh air to the unit.
- A furnace installed in an attic or other insulated space must be kept free and clear of insulating material. Examine the furnace area when installing the furnace or adding more insulation. Some materials may be combustible.

NOTE: Do not use this furnace if any part has been under water. Immediately call a qualified service technician to inspect the furnace and to replace any part of the control system and any gas control which has been under water.



4

A86023

NOTE: The qualified installer or agency must use only factory-authorized replacement parts, kits, and accessories when modifying this product.

If the furnace is left unattended for an extended period of time, have it checked periodically for proper operation. This precaution will prevent problems associated with NO HEAT, such as frozen water pipes, etc., see "Before You Request a Service Call" in this manual.

SAFETY CONSIDERATIONS

Installation and servicing of heating equipment can be hazardous due to gas and electrical components. Only trained and qualified personnel should install, repair, or service heating equipment.

Untrained personnel can perform basic maintenance functions such as cleaning and replacing air filters. All other operations must be performed by trained service personnel. Observe safety precautions in this manual, on tags, and labels attached to the furnace and other safety precautions that may apply.

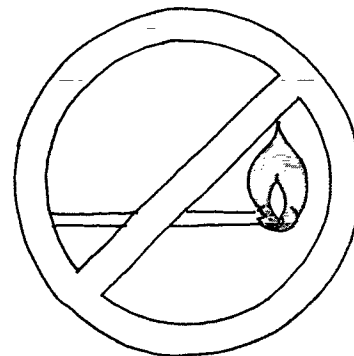
Recognize safety information: This is the safety-alert symbol Δ . When you see this symbol on the furnace and in instructions or manuals, be alert to the potential for personal injury.

Understand the signal word—DANGER, WARNING, or CAUTION. These words are used with the safety-alert symbol. DANGER identifies the most serious hazards which **will** result in severe personal injury or death. WARNING signifies hazards that **could** result in personal injury or death. CAUTION is used to identify unsafe practices, which would result in minor personal injury or product and property damage.

STARTING YOUR FURNACE

Instead of a continuously burning pilot flame which wastes valuable energy, your furnace uses an automatic hot surface ignition system to light the burners each time the thermostat turns your furnace on. **Follow these important safeguards:**

- Never attempt to light the burners manually with a match or other source of flame.



5

A86024

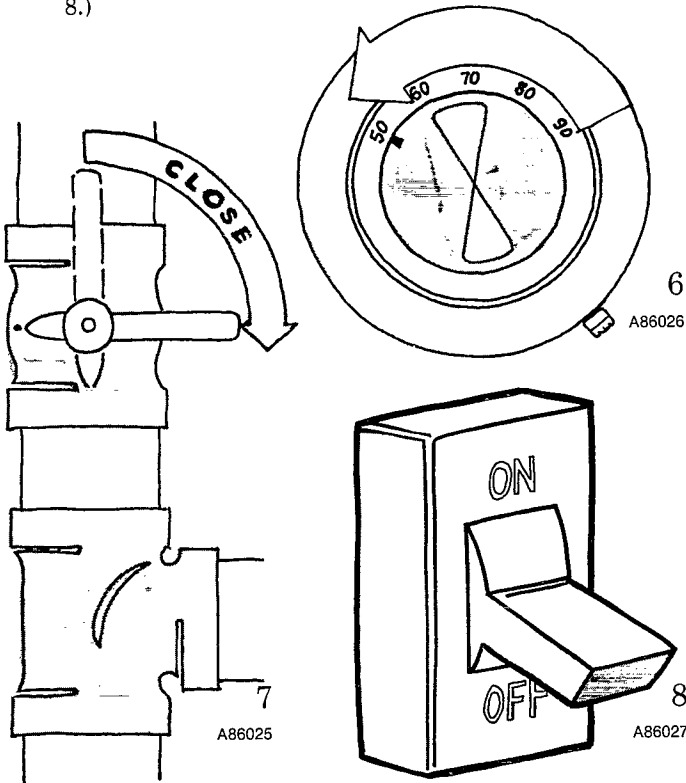
- Read and follow the operating instructions on the furnace.
- If a suspected malfunction occurs with your gas control system, such as the burners not lighting when they should, refer to the shutdown procedures on the furnace or in the next section to turn off your system, then call your dealer as soon as possible.

WARNING: If overheating occurs, or the gas valve fails to shut off the gas supply, turn OFF the manual gas valve (see Figure 7) to the furnace BEFORE turning OFF the electrical supply. Failure to follow this warning could result in a fire or explosion, and personal injury or death.

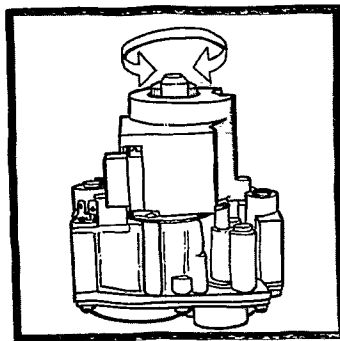
- **CHECK AIR FILTER:** Before attempting to start your furnace, be sure the furnace filter is clean and in place. (See the maintenance section of this manual.) Then proceed as follows:

STEPS FOR STARTING YOUR FURNACE

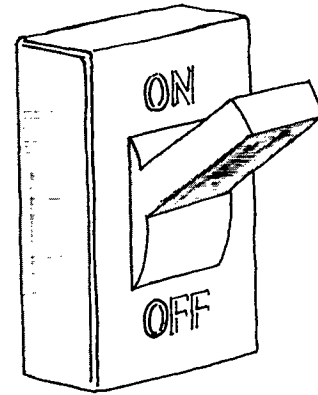
1. Set your room thermostat to the lowest temperature setting. (See Figure 6.)
2. Close the external manual gas valve. (See Figure 7.)
3. Turn OFF the electrical supply to the furnace. (See Figure 8.)



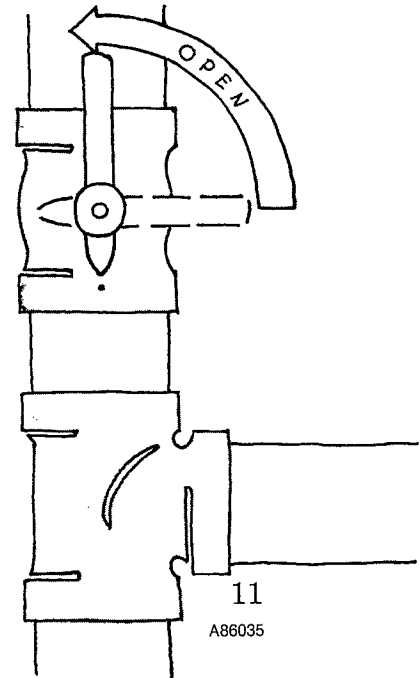
4. Turn the control knob on the gas valve to the OFF position and wait 5 minutes. (See Figure 9.)
5. After waiting 5 minutes, turn the control knob on the gas valve to the ON position. (See Figure 9.)



6. Turn ON the electrical supply to the furnace. (See Figure 10.)
7. Open the external manual gas valve. (See Figure 11.)
8. Set the room thermostat to a temperature slightly above room temperature. This will automatically signal the furnace to start. The inducer motor will start, and the hot surface ignitor will energize. When hot, the ignitor will have an orange glow.
9. After 30 to 58 seconds, the gas valve permits gas to flow to the main burners where it is ignited. Hot flames begin to warm the furnace's heat exchanger. After a time delay of approximately 60 seconds, the furnace blower is switched on.



10
A86033



11
A86035

NOTE: If the main burners fail to ignite, the furnace control system will go through three more ignition cycles. Then, if burners fail to ignite, the system will lockout. If lockout occurs, or the blower doesn't come on, shut down your furnace and call your dealer for service.

10. Set your thermostat to the temperature that satisfies your comfort requirements. **SUGGESTION:** Setting the thermostat back a few degrees—and compensating for the difference with warmer clothing—can make a big difference in your fuel consumption on extremely cold days. The few degrees at the top of your thermostat “comfort level” are the most costly degrees to obtain.

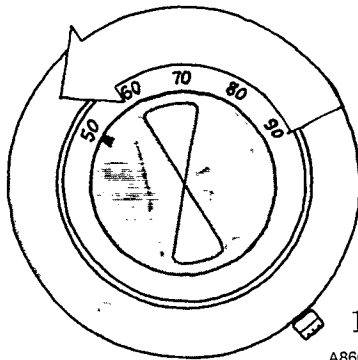
When the room temperature drops below the temperature selected on the thermostat, the furnace will be switched on automatically. When the room temperature reaches the degree selected on the thermostat, the furnace will be automatically switched off.

Some thermostats have a “fan” switch with two selections: AUTO or ON. When set on AUTO, the furnace blower cycles on and off, controlled by the thermostat. In the ON position, the furnace blower runs continuously except for a 60 second delay at the “call for heat.” This keeps the temperature level in your home more evenly balanced. It also continuously filters the indoor air.

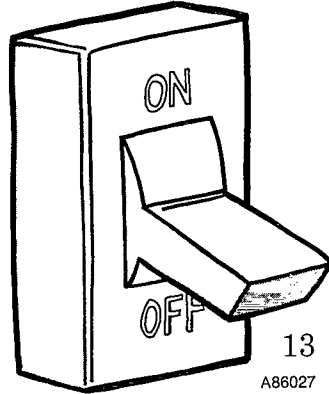
SHUTTING DOWN YOUR FURNACE

Should you ever suspect a malfunction in your furnace, you will need to turn the furnace OFF. The following procedures must be followed:

1. Set your room thermostat to the lowest temperature setting. (See Figure 12.)

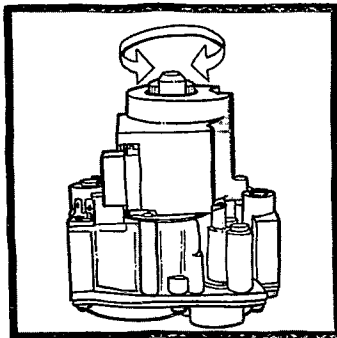


12
A86026



13
A86027

2. Close the external manual gas valve. (See Figure 7.)
3. Turn OFF the electrical power to your furnace. (See Figure 13.)
4. Turn the control knob on the gas valve to the OFF position. (See Figure 14.)



14
A91182

5. If the furnace is being shut down because of a malfunction, call your dealer as soon as possible.

CAUTION: Furnace is not to be installed, operated, and then turned off and left turned off in an unoccupied structure during winter. (See winterizing procedures in maintenance section).

PERFORMING ROUTINE MAINTENANCE

With proper maintenance and care, your furnace will operate economically and dependably. Instructions for basic maintenance, which can easily be followed, are found on this and the following pages. However, before beginning maintenance, follow these safety precautions:

WARNING: Turn OFF electrical power supply to your furnace before removing the access doors to service or perform maintenance. Failure to follow this warning could result in personal injury or death.

CAUTION: Although special care has been taken to minimize sharp edges, be extremely careful when handling parts or reaching into the furnace.

FILTERING OUT TROUBLE

A dirty filter will cause excessive stress on the furnace blower motor and can cause it to overheat and automatically shut down. The furnace filter should be checked every 3 or 4 weeks and cleaned if necessary.

CAUTION: Never operate your furnace without a filter in place. Doing so may damage the furnace blower motor. An accumulation of dust and lint on internal parts of your furnace can cause a loss of efficiency.

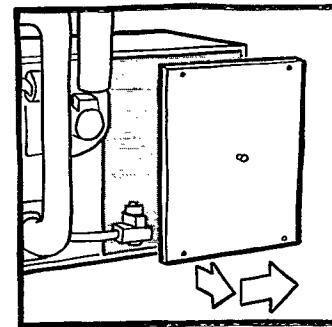
The air filter is normally located in the blower compartment before the blower. (See Figure 16.) If the filter(s) has been installed in another location, contact your dealer for instructions. To inspect, clean and/or replace the air filter(s), follow these steps:

If your furnace filter needs to be replaced, be sure to use the same size and type of filter that was originally supplied. Use the furnace filter table and compare your furnace size with the proper filter size.

HORIZONTAL FURNACE FILTER TABLE

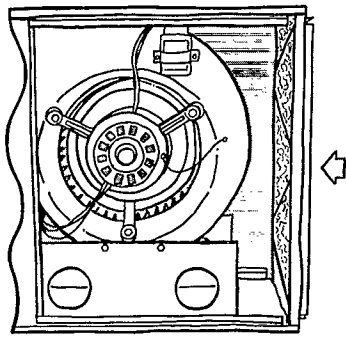
HORIZONTAL FURNACE INPUT (BTUH)	FILTER SIZE (INCHES)	FILTER TYPE
50,000	(1) 13 x 23 x 1	Cleanable
75,000	(1) 13 x 23 x 1	Cleanable
100,000	(1) 16 x 23 x 1	Cleanable
125,000	(1) 20 x 23 x 1	Cleanable

- REMOVE THE FILTER FOR CLEANING AS FOLLOWS:
 1. Turn OFF electrical supply to the furnace. (See Figure 13.)
 2. Remove blower access door located at the inlet (return air) end of the furnace (4 screws must be removed). (See Figure 15.)

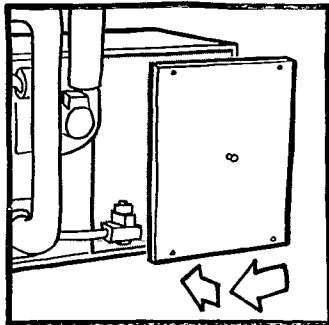


15
A91183

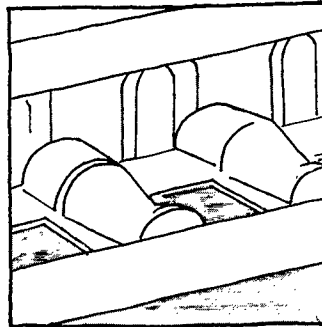
3. Bend the formed wire filter retainer to clear the furnace flange at one side.
4. Pivot the filter retainer toward the blower. (See Figure 16.)
5. Remove the filter from the furnace.
6. Inspect the filter. If torn, replace it.
7. Wash the filter (if dirty) in a sink, bathtub, or outside with a garden hose. Always use cold tap water. A mild liquid detergent may be used if necessary. Spray water through the filter in the opposite direction of airflow through the cross-mesh binding side. Allow filter to dry.
8. Reinstall the clean filter with the cross-mesh binding side facing the furnace blower.
9. Replace blower door, reinstall 4 screws (see Figure 17) and turn ON electrical power to your furnace.



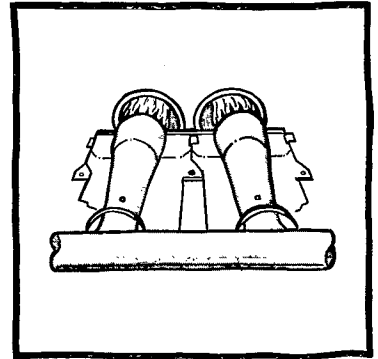
16
A91184



17
A91185



18
A86041



19
A91065

COMBUSTION AREA AND VENT SYSTEM

Visually inspect the combustion area and vent system before each heating season. Make sure that all PVC pipes leading into the combustion area and vent are free from any cracks and sags. Also check the combustion air intake and vent pipes on the outside of your home for blockage.

When dirt, soot or rust is allowed to build up, your furnace can suffer a loss of efficiency and perform improperly. Accumulations on the main burners can result in their firing out of normal sequence. This delayed ignition will create an alarmingly loud sound.

CAUTION: If your furnace makes an especially loud noise when the main burners light, shut down your furnace and call your dealer.

To inspect the combustion area and vent system, you will need a flashlight. Refer to Figure 2, and proceed as follows:

1. Turn OFF the electrical supply to your furnace.
2. Remove burner enclosure front.

Inspect the gas burners for dirt, rust, or scale. (See Figure 18.) Then inspect the vent outlet area and vent pipe.

CAUTION: If dirt, rust, soot, or scale accumulations are found, call your dealer. Do not operate your furnace.

3. Inspect the vent pipe for sag, holes, cracks, or disconnection. Any horizontal vent pipe must slope upward, away from the furnace; look for signs of water leakage.

DANGER: If holes are found in the vent pipe, or if it has become disconnected, toxic fumes can escape into your home. DO NOT OPERATE YOUR FURNACE. Call your dealer for service.

4. Reinstall the burner enclosure front.

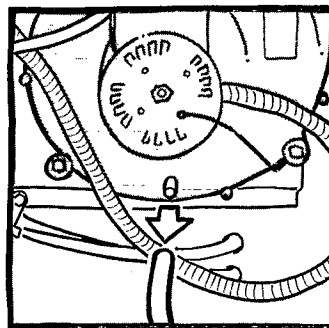
5. If your furnace is free of the above conditions, restore electrical power to your furnace. (See Figure 10.)
6. Start your furnace and observe its operation. Watch the burner flames to see if they are bright blue. (See Figure 19.) If you observe a suspected malfunction, or that the burner flames are not bright blue, call your dealer.

HEADING SOUTH FOR THE WINTER?

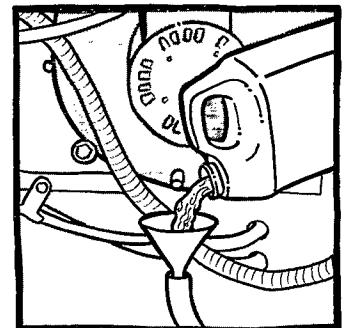
DON'T FORGET YOUR FURNACE!

Since the furnace uses a condensing heat exchanger, some water will accumulate in the unit as a result of the heat transfer process. Therefore, once it has been operated, it cannot be turned off and left off for an extended period of time when temperatures will reach 32°F or lower, unless winterized. Follow these procedures to winterize your furnace:

1. Mix a solution of equal amounts of ethylene glycol (Prestone II antifreeze coolant or equivalent) and water.
2. Turn OFF electrical supply to furnace. (See Figure 8.)
3. Disconnect drain tube from bottom of inducer vent outlet. (See Figure 20.)



20
A91186



21
A91187

5. Insert funnel in drain tube and pour antifreeze/water solution into furnace until it is visible at point where condensate enters open drain. (See Figure 21.)
6. Reconnect drain tube to vent outlet.

A CHECKUP CHECKLIST

Your furnace represents an important investment in your family's comfort and your home's value. To keep it in tip-top shape and as a preventative to future problems, have a trained service specialist give your furnace a professional check-up annually. The following checklist can be used as a guideline to proper service:

- Inspect all flue gas passages, burners, heat exchangers, coupling box(es), and inducer assembly.
- Inspect all combustion and ventilation air passages and openings, including combustion air and vent pipe terminations outside the structure.
- Check gas pipes leading to and inside of your furnace for leaks.
- Inspect, clean, and lubricate the blower motor and wheel as required.

NOTE: If oil ports are provided, refer to the unit Service and Maintenance Instructions for blower motor oiling information. The motor must be oiled by a qualified service technician.

- Inspect and change or clean air filter(s) if necessary.
- Inspect all supply- and return-air ducts for obstructions, air leaks, and insulation. Remedy any problem when necessary.
- Inspect electrical wiring, connections, and components for loose connections.
- Perform an operational checkout to determine whether your furnace is working properly and if it requires adjustments.
- Inspect all condensate tubes and connections, condensate trap assembly, and drain for leaks. The condensate removal system should be cleaned annually by a qualified service agency; refer to the Service and Maintenance Instructions for further information.
- Examine the physical support of the furnace; the support should be sound with no cracks, sagging, gaps, etc. around the base.

- Check the furnace for any obvious signs of deterioration.
- Your servicing dealer offers an economical service agreement that covers seasonal inspections; ask for details.

BEFORE YOU REQUEST A SERVICE CALL

If your furnace is not operating or not performing properly, you may save the expense of a service call by checking a few things yourself before calling for service.

FOR INSUFFICIENT AIRFLOW:

- Check for dirty air filter(s).
- Check for blocked return-air or supply-air grilles throughout your home; ensure they are open and unobstructed.

If problem still exists, call your dealer for service.

WHEN FURNACE FAILS TO OPERATE:

Follow this checklist step by step, advancing to the next one only if furnace fails to start.

- Check thermostat for proper temperature (set above room temperature).
- Is the thermostat switch on HEAT?
- Check fuses and circuit breakers. Is the electrical supply on?
- Is the manual shut-off valve in gas supply pipe in open position? (Follow startup procedures if you open gas valve.)

NOTE: Turn OFF the electrical power supply before continuing with checklist.

- Is the control knob on gas valve in ON position? (Follow startup procedures if you must reset knob to ON.)

If your furnace still fails to operate, call your service representative.

For your convenience, record the product and serial numbers on the form on page 4. Should you ever require service, you will have ready access to the information needed by the service representative.

Bryant, Day & Night, Payne Brands

FOR SERVICE OR REPAIR, FOLLOW THESE STEPS IN ORDER:

- FIRST:** Contact the installer. You may find his name on the product or in your User's Manual. If his name is not known, call your builder if yours is a new residence.
- SECOND:** Contact the nearest distributor. (See telephone yellow pages.)
- THIRD:** Contact:
BDP
Consumer Relations
P.O. Box 4952
Syracuse, New York 13221-4952
Phone: 1-800-428-4326 (TOLL FREE) from USA.
1-315-432-7885 from Canada.

Model No. _____ Unit Serial No. _____
Date of Installation _____ Installed by _____
Name of Owner _____ Address of Installation _____

DELUXE GAS-FIRED CONDENSING FURNACE LIMITED WARRANTY

ONE-YEAR LIMITED WARRANTY—CARRIER CORPORATION (hereinafter referred to as "COMPANY") warrants to the original purchaser that this product will be free from defects in material and workmanship for a period of one year from the date of original installation (whether or not actual use begins on that date). At the COMPANY'S sole option, a new or remanufactured part will be provided without charge to replace any defective part.

THIS WARRANTY DOES NOT INCLUDE LABOR OR OTHER COSTS incurred for diagnosing, repairing, removing, installing, shipping, servicing or handling of either defective parts or replacement parts. Such costs may be covered by a separate warranty or service agreement provided by the installer, which is separate and distinct from this factory warranty.

EXTENDED 2-YEAR LIMITED WARRANTY ON MICROPROCESSOR CONTROL CENTER ONLY—During the second through third years after the date of original installation, the COMPANY further warrants the microprocessor control center against defects in material or workmanship under normal use and maintenance. A new or remanufactured part, at the COMPANY'S sole option, will be provided under the same conditions as stated in the ONE-YEAR WARRANTY.

EXTENDED WARRANTY ON HEAT EXCHANGER ONLY

During the second through nineteenth years after the date of original installation, the COMPANY further warrants the heat exchanger to be free from defects in material and workmanship under normal use and proper maintenance. The COMPANY will, AT ITS SOLE OPTION, provide a new heat exchanger without charge, or allow a credit in the amount of the then current factory selling price for a new or equivalent heat exchanger toward the retail purchase price of a new BRYANT, DAY & NIGHT, or PAYNE brand furnace. This warranty applies only to the furnace in its original installation location and is void if the furnace is reinstalled elsewhere.

WARRANTY CONDITIONS

1. These warranties apply only to products in their original installation location and become void upon reinstallation.
2. Installation, use, care, and maintenance must be normal and in accordance with instructions contained in the owner's manual and the COMPANY service information.
3. Defective parts must be returned to the distributor at purchaser's expense for credit.

LIMITATIONS OF WARRANTIES—ALL IMPLIED WARRANTIES (INCLUDING IMPLIED WARRANTIES OF MERCHANTABILITY AND FITNESS FOR A PARTICULAR PURPOSE) ARE HEREBY LIMITED IN DURATION TO THE PERIOD FOR WHICH THE APPLICABLE COMPONENT LIMITED WARRANTY IS GIVEN. SOME STATES DO NOT ALLOW LIMITATIONS ON HOW LONG AN IMPLIED WARRANTY LASTS, SO THE ABOVE MAY NOT APPLY TO YOU. THE EXPRESSED WARRANTIES MADE IN THIS WARRANTY ARE EXCLUSIVE AND MAY NOT BE ALTERED, ENLARGED, OR CHANGED BY ANY DISTRIBUTOR, DEALER, OR OTHER PERSON WHATSOEVER.

ALL WORK UNDER THE TERMS OF THIS WARRANTY SHALL BE PERFORMED DURING NORMAL WORKING HOURS. ALL REPLACEMENT PARTS, WHETHER NEW OR REMANUFACTURED, ASSUME AS THEIR WARRANTY PERIOD ONLY THE REMAINING TIME PERIOD OF THE APPLICABLE COMPONENT WARRANTY.

THE COMPANY WILL NOT BE RESPONSIBLE FOR:

1. Normal maintenance as outlined in the installation and servicing instructions or owners manual including filter cleaning and/or replacement and lubrication.
2. Damage or repairs required as a consequence of faulty installation, misapplication, abuse, improper servicing, unauthorized alteration or improper operation.
3. Failure to start due to voltage conditions, blown fuses, open circuit breakers or other damages due to the inadequacy or interruption of electrical service.
4. Damage as a result of floods, winds, fires, lightning, accidents, corrosive environments or other conditions beyond the control of the COMPANY.
5. Parts not supplied or designated by the COMPANY, or damages resulting from their use.
6. COMPANY products installed outside the continental U.S.A., Alaska, Hawaii and Canada.
7. Electricity or fuel costs or increases in electricity or fuel costs from any reason whatsoever including additional or unusual use of supplemental electric heat.
8. ANY SPECIAL INDIRECT OR CONSEQUENTIAL PROPERTY OR COMMERCIAL DAMAGE OF ANY NATURE WHATSOEVER. Some states do not allow the exclusion of incidental or consequential damages, so the above limitation may not apply to you.

This warranty gives you specific legal rights, and you may also have other rights which vary from state to state.





