

OWNER'S MANUAL

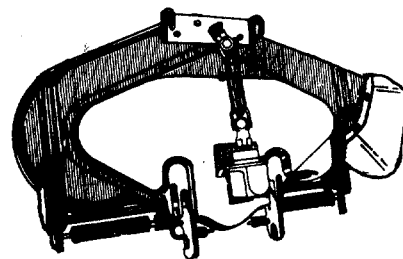
- ASSEMBLY
- OPERATION
- MAINTENANCE
- PARTS LIST

**Model No.
198-992A**

Important :

**Read Safety Rules and
Instructions Carefully**

**50"
QUICK
DISCONNECT
MOWING
UNIT**



LIMITED WARRANTY

For one year from the date of original retail purchase, MTD PRODUCTS INC will either repair or replace, at its option, free of charge, F.O.B. factory or authorized service firm, any part or parts found to be defective in material or workmanship. Transportation charges under this warranty must be paid by the purchaser unless return is requested by MTD PRODUCTS INC.

This warranty will not apply to any part which has become inoperative due to misuse, excessive use, accident, neglect, improper maintenance, alterations, or unless the unit has been operated and maintained in accordance with the instructions furnished. This warranty does not apply to the engine, motor, battery, battery charger or component parts thereof. Please refer to the applicable manufacturer's warranty on these items.

This warranty will not apply where the unit has been used commercially.

Warranty service is available through your local authorized service dealer or distributor. If you do not know the dealer or distributor in your area, please write to the Customer Service Department of MTD.

The return of a complete unit will not be accepted by the factory unless prior written permission has been extended by MTD.

This warranty gives you specific legal rights. You may also have other rights which vary from state to state.

IMPORTANT

It is suggested that this manual be read in its entirety before attempting to assemble or operate. Keep this manual in a safe place for future reference and for ordering replacement parts.

This unit is shipped WITHOUT GASOLINE or OIL. After assembly, see operating section of this manual for proper fuel and amount.

Your rotary mower is a precision piece of power equipment, not a plaything. Therefore exercise extreme caution at all times.

SAFE OPERATION PRACTICES FOR RIDING VEHICLES

1. Know the controls and how to stop quickly—**READ THE OWNER'S MANUAL.**
2. Do not allow children to operate vehicle. Do not allow adults to operate it without proper instruction. Only persons well acquainted with these rules of safe operation should be allowed to use your mower.
3. Do not carry passengers.
4. Keep the area of operation clear of all persons, particularly small children and pets. Stop engine when they are in the vicinity of your mower. Although the area of operation should be completely cleared of foreign objects, a small object may have been overlooked and could be accidentally thrown by the mower in any direction.
5. Clear work area of objects which might be picked up and thrown by the mower in any direction.
6. Disengage all attachment clutches and shift into neutral before attempting to start engine.
7. Disengage power to attachment(s) and stop engine before leaving operator position.
8. Disengage power to attachment(s) and stop engine before making any repairs or adjustments. Disconnect the spark plug wire and keep the wire away from the plug to prevent accidental starting.
9. Before attempting to unclog the mower or discharge chute, stop the engine and be sure the blade(s) have stopped completely. Disconnect the spark plug wire and keep the wire away from the plug to prevent accidental starting.
10. Disengage power to attachment(s) when transporting or not in use.
11. Take all possible precautions when leaving vehicle unattended such as disengaging power-take-off, lowering attachments, shifting into neutral, setting parking brake, stopping engine and removing key.
12. Do not stop or start suddenly when going uphill or downhill. Mow up and down face of steep slopes; never across the face.
13. Reduce speed on slopes and in sharp turns to prevent tipping or loss of control. Exercise extreme caution when changing direction on slopes.
14. Stay alert for holes in terrain and other hidden hazards.
15. Use care when pulling loads or using heavy equipment.
 - A. Use only approved drawbar hitch points.
 - B. Limit loads to those you can safely control.
 - C. Do not turn sharply. Use care when backing.
 - D. Use counterweight(s) or wheel weights when suggested in owner's manual.
16. Watch out for traffic when crossing or near roadways.
17. When using any attachments never direct discharge of material toward bystanders nor allow anyone near vehicle while in operation.
18. Handle gasoline with care—it is highly flammable.
 - A. Use approved gasoline container.
 - B. Never remove cap or add gasoline to a running or hot engine or fill fuel tank indoors. Wipe up spilled gasoline.
 - C. Open doors if engine is run in garage—exhaust fumes are dangerous. Do not run engine indoors.
19. Keep the vehicle and attachments in good operating condition, and keep safety devices in place. Use guards as instructed in owner's manual.
20. Keep all nuts, bolts, and screws tight to be sure the equipment is in safe working condition.
21. Never store the equipment with gasoline in the tank inside a building where fumes may reach an open flame or spark. Allow engine to cool before storing in any enclosure.
22. To reduce fire hazard keep engine free of grass, leaves or excessive grease.
23. The vehicle and attachments should be stopped and inspected for damage after striking a foreign object, and the damage should be repaired before restarting and operating the equipment.
24. Do not change the engine governor settings or overspeed the engine.
25. When using the vehicle with mower, proceed as follows:
 - (1) Mow only in daylight or in good artificial light.
 - (2) Never make a cutting height adjustment while engine is running if operator must dismount to do so.
 - (3) Shut the engine off and wait until the blade comes to a complete stop before removing the grass catcher.
 - (4) Check blade mounting bolts for proper tightness at frequent intervals.
26. Check grass catcher bags frequently for wear or deterioration. For safety protection replace only with new bag meeting original equipment specifications.
27. Look behind to make sure the area is clear before placing the transmission in reverse and backing up.



WARNING

The mower shall not be operated without the entire grass catcher or chute deflector in place.



NOTE

Under normal usage bag material is subject to wear, and should be checked periodically. Be sure any replacement bag complies with the mower manufacturer's recommendations.

TOOLS REQUIRED

One 3/8" open end or box wrench.

ASSEMBLY

Your mowing unit comes completely assembled with the exception of the universal drive shaft.

Step 1. Place the universal drive shaft on the input shaft of right angle drive. See page 6.



NOTE

Be sure key is on input shaft.

Step 2. Secure the drive shaft by tightening the two set screws.

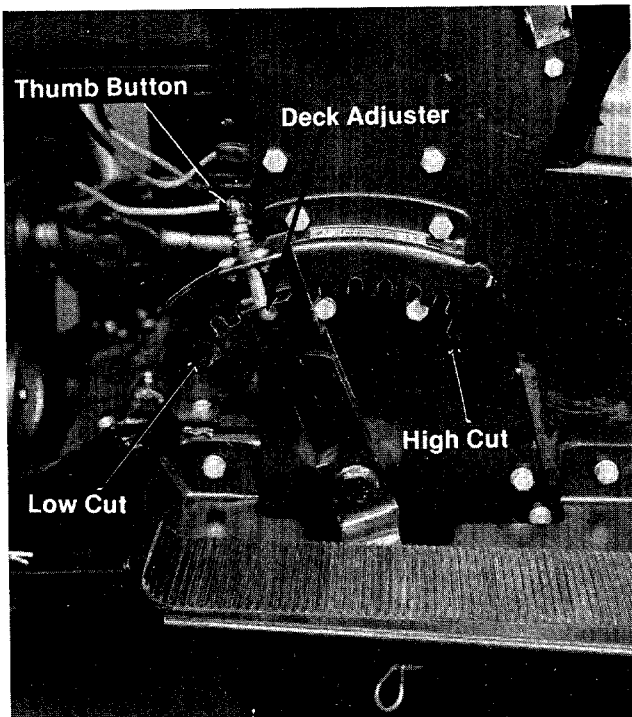


FIGURE 1.

ATTACHING THE DECK

See figure 2.

Step 1. Hydrostatic Tractor

Place the hydraulic lift lever in the up position.

Step 2. Turn tractor steering wheel to the left. Slide cutting deck underneath tractor from the right hand side.



NOTE

The right hand side of the tractor is determined by the operator's position, sitting on the unit facing forward.

Step 3. A. Place the universal drive shaft on the PTO pulley on tractor.

B. Secure the drive shaft by tightening the set screw.

Step 4. Pull the cutting deck, release pins and turn the cutting deck rear hanger locks up.

Step 5. Slide the cutting deck forward approximately one or two inches.

Step 6. Push the lift lever forward and position the cutting deck squarely beneath the carriage.

Step 7. Lift the front of the cutting deck and push back, also making sure that the front deck hanger slots go over front carriage bar.

Step 8. Pull the release pins and lock in place on both sides.

SETTING THE CUTTING HEIGHT

The deck adjuster is located on the left side of the tractor and is used in conjunction with the mowing deck rollers. To operate the deck adjuster, depress the thumb button and move the deck adjuster forward to lower the cutting height and move it towards the rear to raise the cutting height. See figure 1.

The deck rollers on the mowing deck must be adjusted so the deck is parallel to the ground. To move the deck rollers up or down, first raise the deck with hydraulic lift lever, then remove the clevis pins and hair pins located at each end of rollers. To raise the deck lower the rollers, to lower the deck raise the rollers.

*Not Part of the Deck



WARNING

DO NOT place hands between frame of tractor and under carriage.

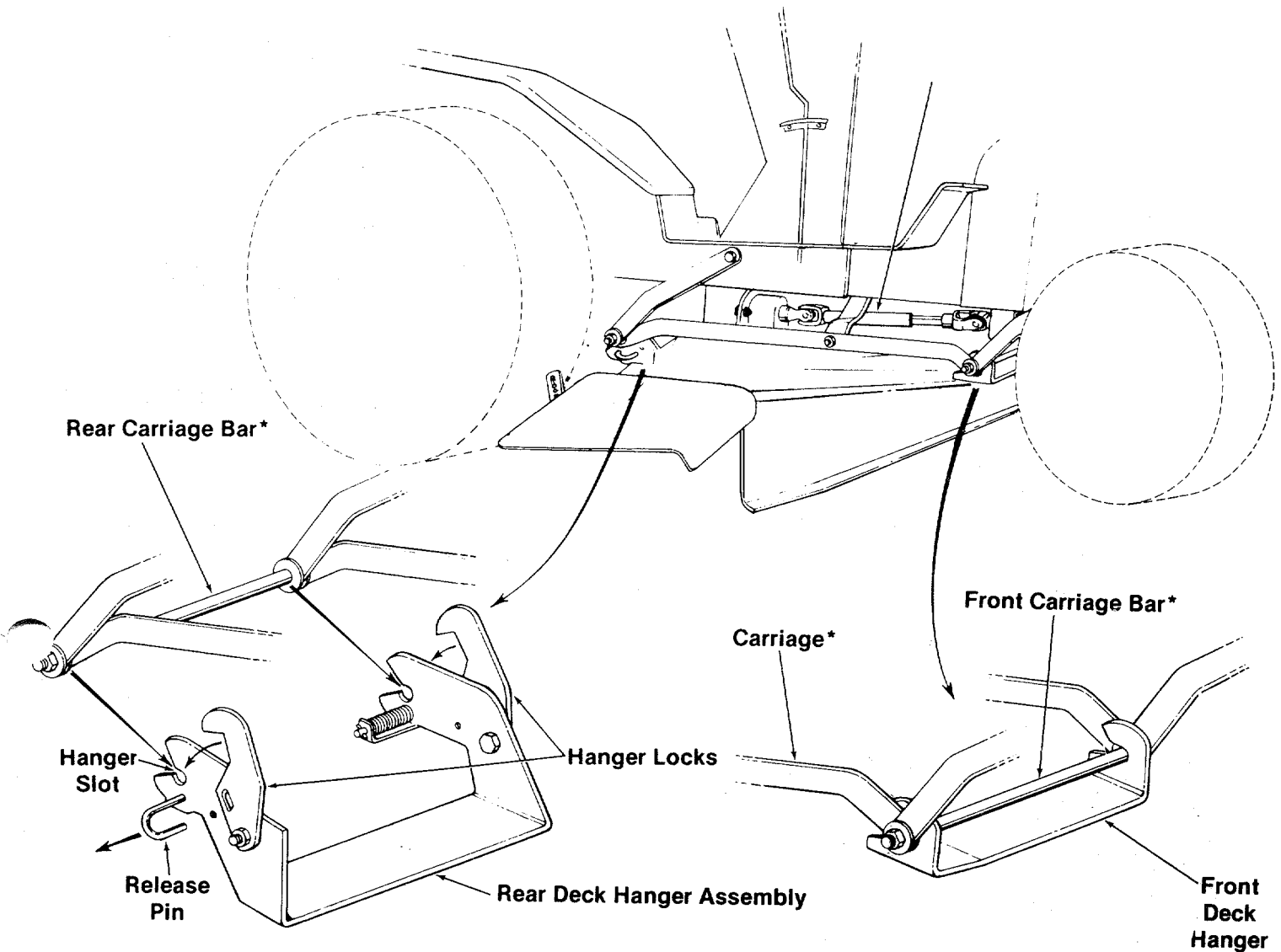


FIGURE 2.

OPERATING THE CUTTING DECK

To stop the blades from turning depress the PTO engagement lever (see the tractor manual) until it is in the disengaged position.



NOTE

The PTO engagement lever must be in the disengaged position before the engine will start.

When performing any maintenance or adjustments on the cutting deck, be sure to shut off the engine.

To engage the blades, set the throttle control in the FAST position and engage the PTO engagement lever.



NOTE

For best mowing results, use high engine or blade speed and low travel speed. Throttle should be at FAST position.

LUBRICATION

Right Angle Drive. Check the grease level after every 25 hours of operation. The gear box contains 4 oz. of E.P.G. Lithium grease.

Carriage. Lubricate the pivot points where the arms either slide or pivot after every 25 hours of operation. Use a multi-purpose automotive type grease.

Sealed Spindles. No grease fittings. (Ref. No. 45) These spindles have factory sealed bearings and require no lubrication.

When grinding or filing the blades to sharpen them, remove equal amounts of metal from both edges to keep the blade in balance. The blade can be tested for balance by balancing it on a screwdriver held in a vise. Remove metal from the heavy side until it balances directly over the center hole in the blade. When replacing the blade, be sure that the air-foil is turned up.

Tighten bolts and nuts securely.

SHARPEN BLADES

Remove the center bolt (38) and lockwasher (39) and pull the blade and blade adapter from the blade spindle. If the blade adapter does not come off easily, remove the two outside bolts (40) from the blade adapter.

BELT REPLACEMENT

Use Part No. 754-0197.

1. Remove the mowing deck cover (Ref. No. 1).
2. Remove the spring (Ref. No. 63) from the idler. There should be enough slack on the belt to remove it.
3. Assemble the new belt using figure 3 as a guide.

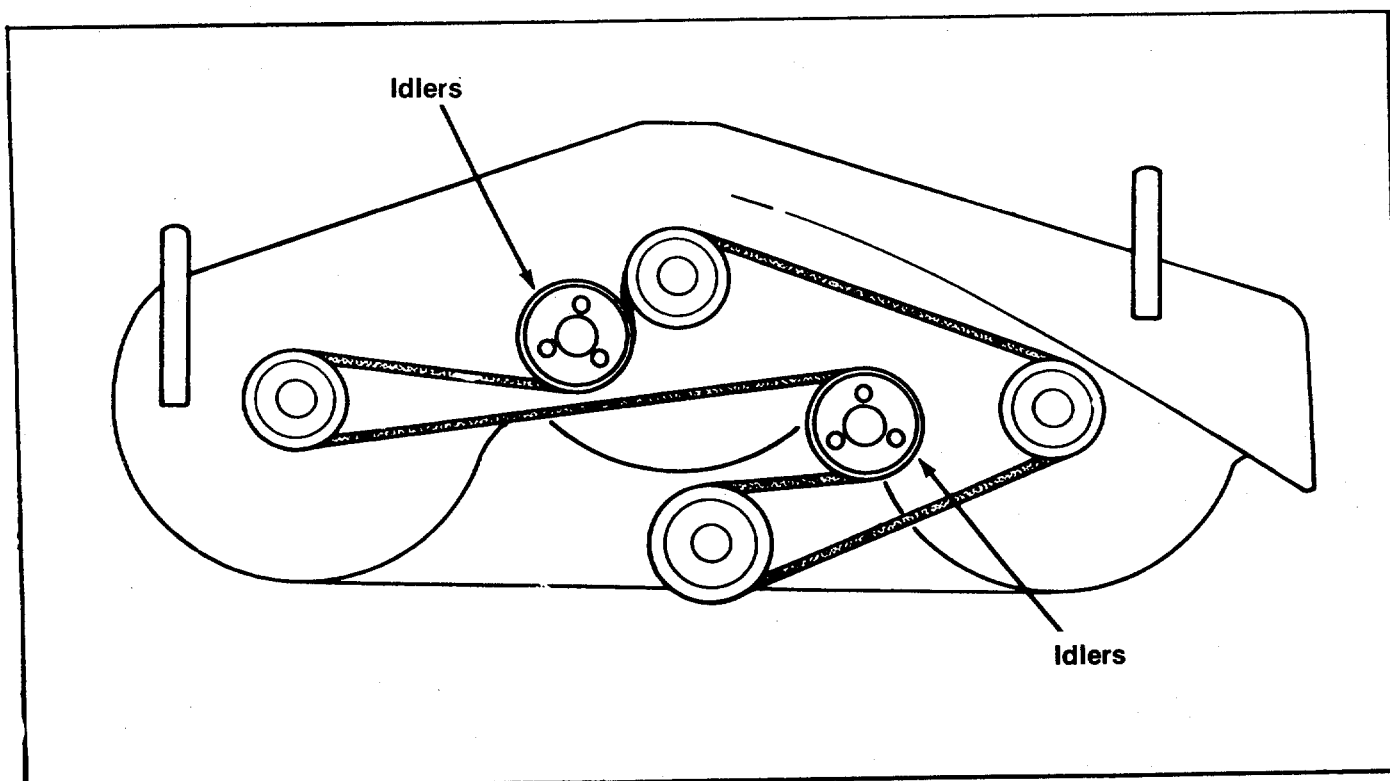
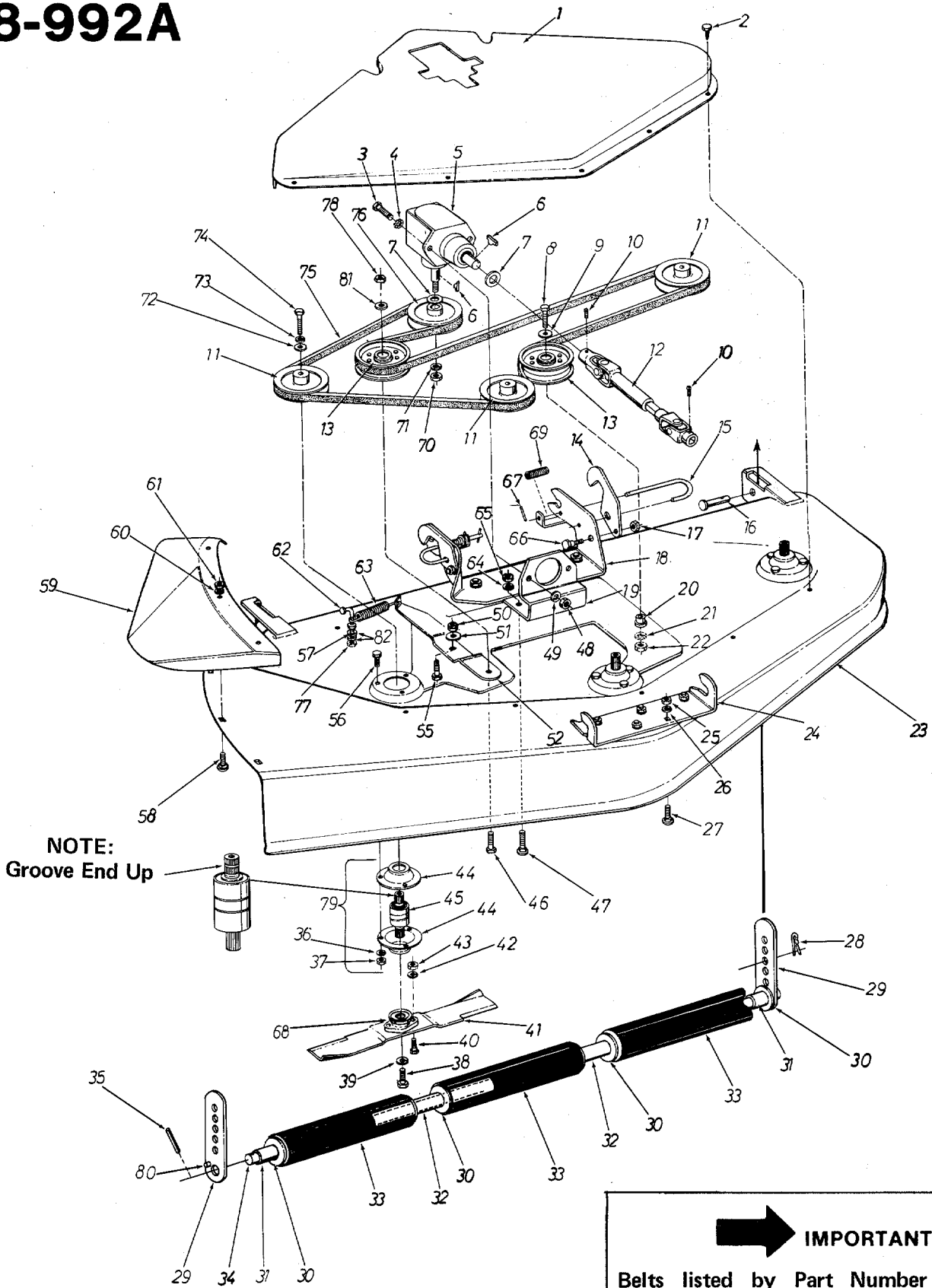


FIGURE 3. INSTALLING THE BELT

198-992A



IMPORTANT

Belts listed by Part Number are of special construction and should be used when replacement is necessary. The dimensions and description given are for general reference only and belts purchased by description and dimension generally will only provide temporary service.

PARTS LIST FOR MODEL 198-992A

Ref. No.	PART No.	COLOR CODE	DESCRIPTION	New Part	Ref. No.	PART No.	COLOR CODE	DESCRIPTION	New Part
1	12651		Belt Cover		43	712-0237		Hex Cent. L-Nut 5/16-24 Thd.	
2	710-0352		Hex B Tap Scr. 1/4-20 x .38" Lg. (10 Req'd.)		44	12724		Spindle Bearing Housing	
3	710-0342		Hex Scr. 3/8-16 x 1.25" Lg.		45	741-0211		Spindle	
4	736-0148		Ext. L-Wash. 3/8" Scr.*		46	710-0312		Hex Scr. 5/8-18 x 1.31" Lg.	
5	-----		Right Angle Drive		47	710-0451		Carriage Bolt 5/16-18 x .75" Lg.*	
6	714-0126		#9 Hi-Pro Key 3/16 x 3/4" Dia.		48	712-0798		Hex Nut 3/8-16 Thd.*	
7	736-0181		FI-Wash. 29/32 I.D.		49	736-0169		L-Wash. 3/8" Scr.*	
8	710-0937		Hex Scr. 3/8-16 x 2.50" Lg.*		50	712-0130		Hex Ins. L-Nut 3/8-16" Thd.	
9	736-0300		FI-Wash. 3/8" I.D.		51	07386		FI-Wash.	
10	710-0357		Sq. Hd. Set Scr. 3/8-16 x .50" Lg. Cup		52	09489		Deck Spring Idler Brkt.	
11	756-0255		Sheave Ass'y.—Deck Spindle		55	738-0149		Shld. Scr. .625" Dia. x .960	
12	717-0135		Universal Drive Shaft Ass'y.		56	710-0158		Hex Scr. 5/16-24 x 1.25" Lg.*	
13	711-0306		Deck Idler Pulley		57	712-0287		Hex Nut 1/4-20 Thd.*	
14	12564		Hanger Lock		58	710-0451		Carriage Bolt 5/16-18 x .75" Lg.*	
15	747-0160		Release Pin					Chute Guard	
16	711-0310		Clevis Pin .500 Dia.		59	12649		L-Wash. 5/16" Scr.*	
17	712-0158		Hex Cent. L-Nut 5/16-18 Thd.		60	736-0119		Hex Nut 5/16-18 Thd.*	
18	12648		Rear Deck Hanger Brkt.		61	712-0267		Hook Bolt	
19	12647		Gear Box Mounting Brkt.		62	711-0152		Extension Spring	
20	711-0656		Idler Adapter		63	732-0180		L-Wash. 5/16" Scr.	
21	736-0169		L-Wash. 3/8" Scr.*		64	736-0119		Hex Nut 5/16-18 Thd.*	
22	712-0798		Hex Nut 3/8-16" Thd.*		65	712-0267		Shld. Scr.	
23	12640		Deck Ass'y. 50"		66	738-0296		Roll Pin 1/8" Dia.	
24	12646		Front Deck Hanger Brkt.		67	715-0129		Kit-Blade Adapter Ass'y.	N
25	712-0267		Hex Nut 5/16-18 Thd.		68	753-0210		Compression Spring	
26	736-0119		L-Wash. 5/16" Scr.*		69	732-0306		Hex Cent. L-Nut 5/8-18 Thd.	
27	710-0451		Carriage Bolt 5/16-18x.75" Lg.*		70	712-0923		L-Wash. 5/8" Scr.*	
28	714-0101		Internal Cotter Pin		71	736-0158		Bell.-Wash. .400 I.D. x .88 O.D.	
29	12650		Height Adjuster		72	736-0105		L-Wash. 3/8" Scr.*	
30	736-0188		FI-Wash. .75 I.D. x 1.5 O.D.		73	736-0169		Hex Scr. 3/8-24 x .75" Lg. Thd. Rolling	
31	750-0212		Spacer .758 I.D. x 1.25 O.D. x .530		74	710-0180		"V"-Belt A Sect. 117" Lg. Drive Pulley	
32	750-0288		Spacer Tube		75	754-0197		Hex Cent. L-Nut 1/4-20 Thd.	
33	731-0335		Roller		76	756-0250		Hex Cent. L-Jam Nut 5/8-18 Thd.	
34	738-0295		Roller Shaft		77	712-0107		Deck Spindle Ass'y.	
35	715-0246		Roll Pin 3/16 x 1.25		78	712-0923		Spring Pin Spiral 1/4" Dia. 1.00" Lg.	
36	736-0119		L-Wash. 5/16" Scr.*					FI-Wash. .62" I.D.	
37	712-0237		Hex Cent. L-Nut 5/16-24 Thd.		79	12723		Ext. L-Wash. 1/4" Scr.*	
38	710-0180		Hex Scr. 3/8-24 x .75" Lg. Thd. Rolling		80	715-0108		See Ref. No. 68	
39	736-0217		L-Wash. 3/8" Scr. H.D.		81	736-0187			
40	710-0117		Hex Scr. 5/16-24 x 1.00" Lg. H.T.		82	736-0222			
41	742-0171		Blade 17"		83	-----			
42	736-0119		L-Wash. 5/16" Scr.*						

* For faster service obtain standard nuts, bolts and washers locally. If these items cannot be obtained locally, order by part number and size as shown on parts list.

NOTE

This instruction manual covers various models and all specifications shown do not necessarily apply to your model. Specifications subject to change without notice of obligation.

NOTE: This unit is not under warranty by the mower manufacturer. All Part Orders and Service must be handled through the Local Authorized Tecumseh Service Dealer.



This unit is under warranty by Tecumseh Products Company. Parts and Service are available through all Tecumseh, Lauson Power Products Service Dealers. Check the "Yellow Pages" of your telephone directory under "Engines—Gasoline."

RIGHT ANGLE DRIVE BOX (PEERLESS2604-P91)

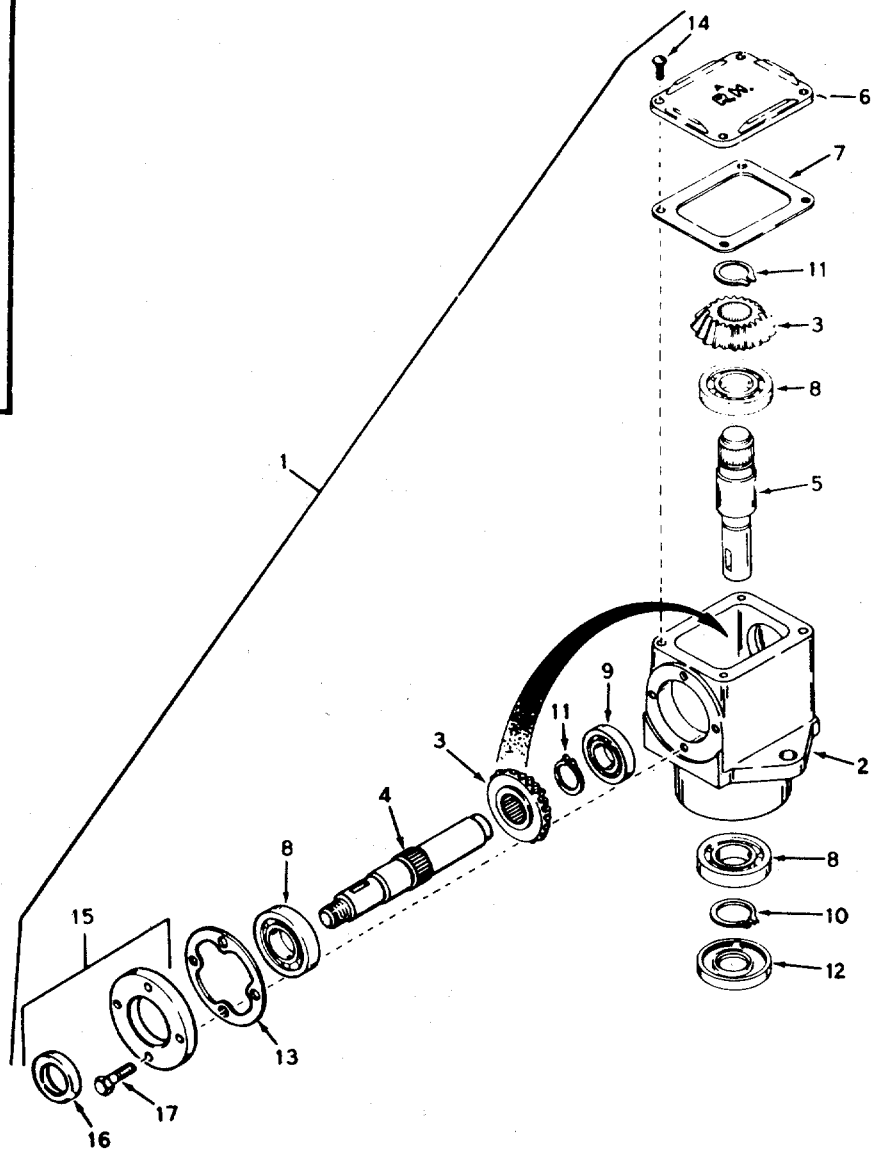


FIGURE 5.

PARTS LIST FOR RIGHT ANGLE DRIVE BOX (PEERLESS 2604-P91)

REF. NO.	PART NO.	DESCRIPTION
1	PE-794111	Head Ass'y. R.H. (Incl. Nos. 2 thru 15)
2	PE-770026	Housing, Right Angle Drive
3	PE-778046	Gear, Miter
4	PE-776149	Shaft, Input
5	PE-776129	Shaft, Output
6	PE-772034	Cover, Right Hand
7	PE-788028	Gasket, Cover
8	PE-780034	Bearing, Ball
9	PE-780024	Bearing, Ball
10	PE-788019	Ring, Snap
11	PE-788018	Ring, Snap
12	PE-788029	Seal, Oil
13	PE-788030	Gasket, Cap
14	PE-792025	Screw, Rd. Hd. Self Tap., 10-24 x 1/2
15	PE-786029	Cap & Seal Ass'y., Retainer (Incl. Nos. 16 & 17)
16	PE-788031	Seal, Oil
17	PE-792026	Screw, Hex Hd. 1/4-20 x 7/8

PARTS INFORMATION

POWER EQUIPMENT PARTS AND SERVICE

Parts and service for all MTD manufactured power equipment are available through the authorized service firms listed below. All orders should specify the model number of your unit, parts number, description of parts and the quantity of each part required.

ALABAMA	BIRMINGHAM	
Auto Electric & Carburetor Co.	2625 4th Ave. S.	35233
ARKANSAS	NORTH LITTLE ROCK	
Sutton's Lawn Mower Shop	Rt. 4, Box 368	72117
	FORT SMITH	
Mity Mite Motors, Inc.	2515 Towson Ave.	72901
CALIFORNIA	PORTERVILLE	
Billious	75 North D Streef	93257
	SAN BERNARDINO	
Lawn Mower Supply Co.	25608 E. Baseline	92410
	SAN FRANCISCO	
J.W. Jewett Co.	981 Folsom St.	94107
	SACRAMENTO	
Luttig & Severson	2030 28th St.	95818
COLORADO	DENVER	
South Denver Lawn Equip.	527 West Evans	80223
CONNECTICUT	SUFFIELD	
The Jones & Ramsey Co.	850 Thompsonville Rd.	06078
FLORIDA	JACKSONVILLE	
Radco Distributors	2403 Market St.	32206
	CORAL GABLES	
Moz-All of Florida, Inc.	365 Greco Ave.	33146
GEORGIA	EAST POINT	
East Point Cycle & Key	2834 Church St.	30344
ILLINOIS	LYONS	
Keen Edge Co.	8615 Ogden Ave.	60534
INDIANA	ELKHART	
Parts & Sales Inc.	2101 Industrial Pkwy.	46514
IOWA	DUBUQUE	
Power Lawn & Garden Equip.	2551 J.F. Kennedy	52001
LOUISIANA	NEW ORLEANS	
Suhren Engine Co.	8330 Earhart Blvd.	70118
MARYLAND	TAKOMA PARK	
Center Supply Co.	6867 New Hampshire Ave.	20012
MASSACHUSETTS	SPRINGFIELD	
Morton B. Collins Co.	300 Birnie Ave.	01107
MICHIGAN	MOUNT CLEMENS	
Power Equipment Dist.	36463 South Gratiot	48043
	LANSING	
Lorenz Service Co.	2500 S. Pennsylvania	48900
MINNESOTA	MINNETONKA	
Hance Distributing Inc.	11212 Wayzata Blvd.	55343
MISSISSIPPI	BILOXI	
Biloxi Sales & Service, Inc.	506 Caillavet St.	39533
MISSOURI	KANSAS CITY	
Automotive Equip. Service	3117 Holmes St.	64109
	ST. LOUIS	
Henzler, Inc.	2015 Lemay Ferry Rd.	63125
NEW JERSEY	BELLMAWR	
Lawnmower Parts Inc.	717 Creek Rd., P.O. Box 7	08030

BRIGGS & STRATTON, TECUMSEH AND PEERLESS PARTS AND SERVICE

Briggs & Stratton, Tecumseh and Peerless parts and service should be handled by your nearest authorized engine service firm. Check the yellow pages of your telephone directory under the listing **Engines—Gasoline**, Briggs & Stratton or Tecumseh Lauson.

NEW YORK	CARTHAGE	
Gamble Dist., Inc.	West End Ave.	13619
NORTH CAROLINA	GREENSBORO	
Dixie Sales Company	327 Battleground Ave.	27402
	GOLDSBORO	
Smith Hardware Co.	515 N. George St.	27530
OHIO	VADSWORTH	
National Central	687 Seville Rd.	44281
	CEVELAND	
Bleckrie, Inc.	7900 Lorain Ave.	44102
	CARROLL	
Stebe's Mid-State Mower Supy	Box 366	43112
	WLARD	
Sunshine Wholesale Tire Outfit	Route 224	44890
OKLAHOMA	MUKOGEE	
Victory Motors, Inc.	605 S. Cherokee	74401
	AD.	
Ada Auto Supply	301 E. 12th St.	74820
OREGON	PORLAND	
Kenton Supply Co.	8216 N. Denver Ave.	97217
PENNSYLVANIA	LANASTER	
Raub Supply Co.	James & Mulberry Sts.	17604
	PITTSBURGH	
Bluemont Co.	11125 Frankstown Rd.	15235
TENNESSEE	KNOXVILLE	
Master Repair Service	423 Broadway, N.E.	37917
	MEMPHIS	
Memphis Cycle & Supply Co.	31 Monroe Ave.	38110
American Sales & Service, Inc.	22 Lynnbrook	38116
TEXAS	DALLA	
Marr Brothers, Inc.	3 E. Jefferson	75203
	HOUSTON	
Bullard Supply Co.	9 Commerce St.	77003
	SAN ANTONIO	
Catto & Putty, Inc.	P Box 2408	78206
	FORT WORTH	
Woodson Sales Corp.	1 N. Sylvania	76111
UTAH	SALT LA CITY	
A-1 Engine & Mower Co.	43 9th St.	84111
VERMONT	BURLING	
Vermont Appliance Co.	44 eside Ave.	05401
VIRGINIA	RICHMOI	
RBI Corp.	963ers St.	23260
WASHINGTON	SEATTLE	
Bailey's Rebuild, Inc.	132 Madison St.	98102
WEST VIRGINIA	CHARLESTI	
Young's, Inc.	233 inia St., E.	25301
WISCONSIN	APPLETON	
Automotive Supply Co.	123 Swood Ave.	54911

WARRANTY PARTS AND SERVICE POLICY

The purpose of warranty is to protect the customer from defects in workmanship and materials, defects which are NOT dead at the time of manufacture. It does not provide for the unlimited and unrestricted replacement of parts. Use and maintenance are the responsibility of the customer. The manufacturer cannot assume responsibility for conditions which it has no control. Simply put, if it's the manufacturer's fault, it's the manufacturer's responsibility; if it's the customer's fault, it's the customer's responsibility.

CLAIMS AGAINST THE MANUFACTURER'S WARRANTY INCLUDES

1. Replacement of Missing Parts on new equipment.
2. Replacement of Defective Parts within the warranty period.
3. Repair of Defects within the warranty period.

All claims MUST be substantiated with the following information:

1. Model Number of unit involved.
2. Date unit was purchased or first put into serv
3. Date of failure.
4. Nature of failure.