



HE^{3t}
Steam™

Front-Loading Automatic Washer

Use & Care Guide

Lavadora automática de carga frontal

Manual de uso y cuidado

Laveuse automatique à chargement frontal

Guide d'utilisation et d'entretien

Models/Modelos/Modèles **110.4674***, **4675***

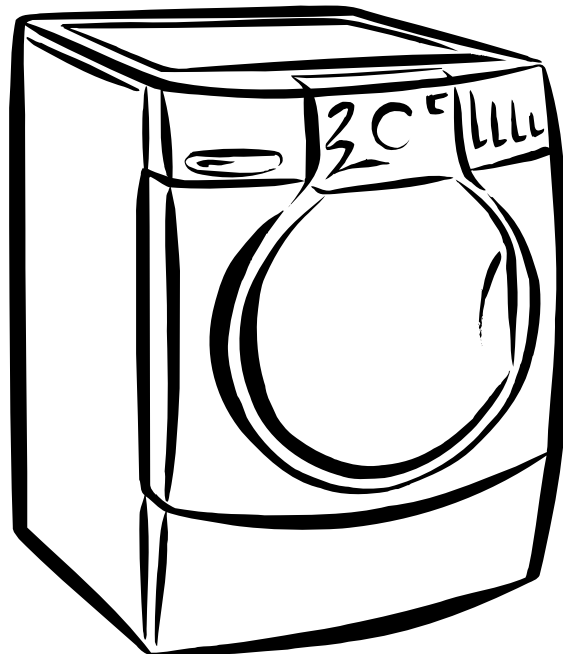
* = color number, número de color, numéro de couleur



Designed to use only HE High Efficiency detergent

Diseñado para utilizar solamente detergente de alta eficacia

Conçu pour l'utilisation d'un détergent haute efficacité seulement



Certified to Sanitize

Certificado para esterilizar

Certifié pour aseptiser

461970239131
✓ **W10133487A**

Sears Roebuck and Co., Hoffman Estates, IL 60179, U.S.A.
Sears Canada Inc., Toronto, Ontario, Canada M5B 2B8

www.sears.com
www.sears.ca

ENGLISH ESPAÑOL FRANÇAIS

TABLE OF CONTENTS

PROTECTION AGREEMENTS	2	Using the Dispenser	13
WARRANTY	3	Pausing or Restarting	14
WASHER SAFETY	4	Changing Cycles, Options and Modifiers	14
INSTALLATION REQUIREMENTS	5	Status Lights	15
Tools and Parts	5	Cycles	16
Options	5	Normal Washer Sounds	17
Location Requirements	6	Options	17
Drain System	7	Modifiers	18
Electrical Requirements.....	8	Laundry Guide	19
INSTALLATION INSTRUCTIONS	8	LAUNDRY TIPS	20
Remove Transport System.....	8	Loading	20
Connect the Inlet Hoses.....	9	WASHER CARE	21
Route the Drain Hose	9	Cleaning Your Washer.....	21
Secure the Drain Hose	10	Water Inlet Hoses	22
Level the Washer	10	Vacation, Storage, and Moving Care	22
Complete Installation.....	10	TROUBLESHOOTING	23
FEATURES AND BENEFITS	11	SERVICE NUMBERS	BACK COVER
WASHER USE	12		
Starting Your Washer	12		
Using the Proper Detergent	12		

PROTECTION AGREEMENTS

Master Protection Agreements

Congratulations on making a smart purchase. Your new Kenmore® product is designed and manufactured for years of dependable operation. But like all products, it may require preventive maintenance or repair from time to time. That's when having a Master Protection Agreement can save you money and aggravation.

The Master Protection Agreement also helps extend the life of your new product. Here's what the Agreement* includes:

- ✓ **Parts and labor** needed to help keep products operating properly **under normal use**, not just defects. Our coverage goes **well beyond the product warranty**. No deductibles, no functional failure excluded from coverage— **real protection**.
- ✓ **Expert service** by a force of more than 10,000 authorized **Sears service technicians**, which means someone you can trust will be working on your product.
- ✓ **Unlimited service calls and nationwide service**, as often as you want us, whenever you want us.
- ✓ **"No-lemon" guarantee** – replacement of your covered product if four or more product failures occur within twelve months.
- ✓ **Product replacement** if your covered product can't be fixed.
- ✓ **Annual Preventive Maintenance Check** at your request – no extra charge.

- ✓ **Fast help by phone** – we call it **Rapid Resolution** – phone support from a Sears representative on all products. Think of us as a "talking owner's manual."
- ✓ **Power surge protection** against electrical damage due to power fluctuations.
- ✓ **\$250 Food Loss Protection** annually for any food spoilage that is the result of mechanical failure of any covered refrigerator or freezer.
- ✓ **Rental reimbursement** if repair of your covered product takes longer than promised.
- ✓ **10% discount** off the regular price of any non-covered repair service and related installed parts.

Once you purchase the Agreement, a simple phone call is all that it takes for you to schedule service. You can call anytime day or night, or schedule a service appointment online.

The Master Protection Agreement is a risk free purchase. If you cancel for any reason during the product warranty period, we will provide a full refund. Or, a prorated refund anytime after the product warranty period expires. Purchase your Master Protection Agreement today!

Some limitations and exclusions apply. For prices and additional information in the U.S.A. call 1-800-827-6655.

***Coverage in Canada varies on some items. For full details call Sears Canada at 1-800-361-6665.**

Sears Installation Service

For Sears professional installation of home appliances, garage door openers, water heaters, and other major home items, in the U.S.A. or Canada call **1-800-4-MY-HOME®**.

KENMORE ELITE® APPLIANCE WARRANTY

ONE YEAR LIMITED WARRANTY

When installed, operated and maintained according to all instructions supplied with the product, if this appliance fails due to a defect in material or workmanship within one year from the date of purchase, call 1-800-4-MY-HOME® to arrange for free repair.

LIMITED LIFETIME WARRANTY ON STAINLESS STEEL DRUM

For the lifetime of the washer from the date of purchase, when this washer is installed, operated and maintained according to all instructions supplied with the product, Sears will replace the stainless steel wash drum due to defective materials or workmanship. After the first year, customer assumes any labor costs associated with replacement of this part.

TEN YEAR LIMITED WARRANTY ON PLASTIC TUB

For ten years from the date of purchase, when this washer is installed, operated and maintained according to all instructions supplied with the product, Sears will replace the plastic tub due to defective materials or workmanship. After the first year, customer assumes any labor costs associated with replacement of this part.

FIVE YEAR LIMITED WARRANTY ON DRIVE SYSTEM PARTS

For five years from the date of purchase, when this washer is installed, operated and maintained according to all instructions supplied with the product, Sears will replace the following drive system parts if defective in materials or workmanship: drive pulley and drive belt. After the first year, customer assumes any labor costs associated with replacement of these parts.

TWO YEAR LIMITED WARRANTY ON SENSOR SMART™ ELECTRONIC BOARD

For two years from the date of purchase, when this washer is installed, operated and maintained according to all instructions supplied with the product, Sears will replace the electronic control board if defective in materials or workmanship. After the first year, customer assumes any labor costs associated with replacement of these parts.

If this appliance is used for other than private family purposes, this warranty applies for only 90 days from the date of purchase.

THIS WARRANTY COVERS ONLY DEFECTS IN MATERIAL AND WORKMANSHIP. SEARS WILL NOT PAY FOR:

1. Expendable items that can wear out from normal use, including but not limited to filters, belts, light bulbs, and bags.
2. A service technician to instruct the user in correct product installation, operation or maintenance.
3. A service technician to clean or maintain this product.

4. Damage to or failure of this product if it is not installed, operated or maintained according to all instructions supplied with the product.
5. Damage to or failure of this product resulting from accident, abuse, misuse or use for other than its intended purpose.
6. Damage to or failure of this product caused by the use of detergents, cleaners, chemicals or utensils other than those recommended in all instructions supplied with the product.
7. Damage to or failure of parts or systems resulting from unauthorized modifications made to this product.

DISCLAIMER OF IMPLIED WARRANTIES; LIMITATION OF REMEDIES

Customer's sole and exclusive remedy under this limited warranty shall be product repair as provided herein. Implied warranties, including warranties of merchantability or fitness for a particular purpose, are limited to one year or the shortest period allowed by law. Sears shall not be liable for incidental or consequential damages. Some states and provinces do not allow the exclusion or limitation of incidental or consequential damages, or limitations on the duration of implied warranties of merchantability or fitness, so these exclusions or limitations may not apply to you.

This warranty applies only while this appliance is used in the United States and Canada.

This warranty gives you specific legal rights, and you may also have other rights which vary from state to state.

Sears, Roebuck and Co.
Dept. 817WA, Hoffman Estates, IL 60179
Sears Canada Inc.
Toronto, Ontario, Canada M5B 2B8

PRODUCT RECORD

In the space below, record your complete model number, serial number, and purchase date. You can find this information on the model and serial number label located on the product.

Have this information available to help you obtain assistance or service more quickly whenever you contact Sears concerning your appliance.

Model number _____

Serial number _____

Purchase date _____

Save these instructions and your sales receipt for future reference.

WASHER SAFETY

Your safety and the safety of others are very important.

We have provided many important safety messages in this manual and on your appliance. Always read and obey all safety messages.



This is the safety alert symbol.

This symbol alerts you to potential hazards that can kill or hurt you and others.

All safety messages will follow the safety alert symbol and either the word "DANGER" or "WARNING."

These words mean:

⚠ DANGER

You can be killed or seriously injured if you don't immediately follow instructions.

⚠ WARNING

You can be killed or seriously injured if you don't follow instructions.

All safety messages will tell you what the potential hazard is, tell you how to reduce the chance of injury, and tell you what can happen if the instructions are not followed.

IMPORTANT SAFETY INSTRUCTIONS

WARNING: To reduce the risk of fire, electric shock, or injury to persons when using the washer, follow basic precautions, including the following:

- Read all instructions before using the washer.
- Do not wash articles that have been previously cleaned in, washed in, soaked in, or spotted with gasoline, dry-cleaning solvents, other flammable, or explosive substances as they give off vapors that could ignite or explode.
- Do not add gasoline, dry-cleaning solvents, or other flammable, or explosive substances to the wash water. These substances give off vapors that could ignite or explode.
- Under certain conditions, hydrogen gas may be produced in a hot water system that has not been used for 2 weeks or more. **HYDROGEN GAS IS EXPLOSIVE.** If the hot water system has not been used for such a period, before using the washing machine, turn on all hot water faucets and let the water flow from each for several minutes. This will release any accumulated hydrogen gas. As the gas is flammable, do not smoke or use an open flame during this time.
- Do not allow children to play on or in the washer. Close supervision of children is necessary when the washer is used near children.
- Before the washer is removed from service or discarded, remove the door or lid.
- Do not reach into the washer if the drum, tub or agitator is moving.
- Do not install or store the washer where it will be exposed to the weather.
- Do not tamper with controls.
- Do not repair or replace any part of the washer or attempt any servicing unless specifically recommended in this manual or in published user-repair instructions that you understand and have the skills to carry out.
- See "Electrical Requirements" for grounding instructions.

SAVE THESE INSTRUCTIONS

INSTALLATION REQUIREMENTS

Tools and Parts

Gather the required tools and parts before starting installation. The parts supplied are in the washer drum.

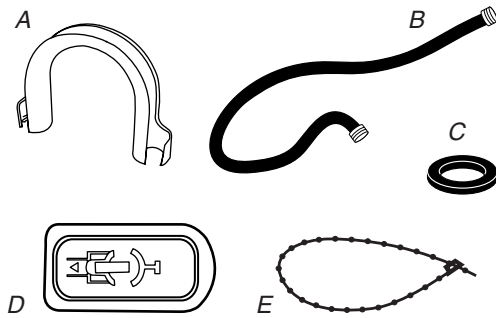
Tools needed for connecting the water inlet hoses

- Pliers (that open to 1⁹/₁₆" [39.5 mm])
- Flashlight (optional)

Tools needed for installation

- Open end wrenches 17 mm and 13 mm
- Level
- Wood block
- Ruler or measuring tape

Parts supplied:



- A. Drain hose form
- B. Inlet hose (2)
- C. Inlet hose washers (4)
- D. Transport bolt hole plug (4)
- E. Beaded strap

Alternate Parts

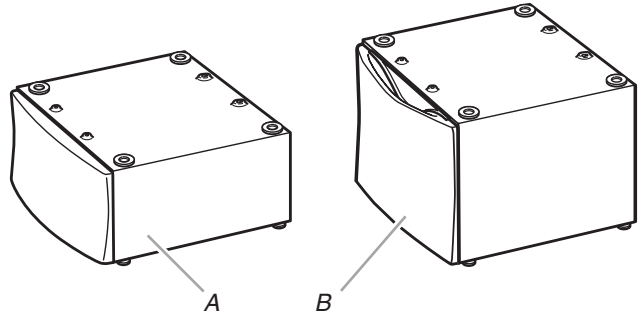
Parts listed are available from your local Sears store or Sears Service Center. For further information, please call **1-800-4-MY-HOME® (1-800-469-4663)**.

If You Have	You Will Need to Buy
Laundry tub or standpipe taller than 96" (2.4 m)	Sump pump system (if not already available)
Overhead sewer	Standard 20 gal. (76 L), 30" (76.2 cm) tall drain tub or utility sink and sump pump (available from local plumbing suppliers)
Floor drain	Siphon break, Part Number 285834; additional drain hose, Part Number 8318155; and connector kit, Part Number 285835
Drain hose too short	4 ft (1.2 m) drain hose extension kit, Part Number 285863
Water faucets beyond reach of fill hoses	2 longer water fill hoses: 6 ft (1.8 m) Part Number 76314, 10 ft (3.0 m) Part Number 350008

Options

Pedestal

You have the option of purchasing pedestals of different heights separately for this washer. You may select a 10" (25.4 cm) or a 15.5" (39.4 cm) pedestal. The pedestal will add to the total height of the washer.



- A. 10" (25.4 cm) pedestal
- B. 15.5" (39.4 cm) pedestal

This pedestal (with storage drawer) is available in several colors. To order, call your local Sears store. For further information, please call **1-800-4-MY-HOME® (1-800-469-4663)**.

Pedestal Height	Approximate Height with Washer	Color	Part Number
10" (25.4 cm)	48" (122 cm)	White	46822
15.5" (39.4 cm)	53" (135 cm)	White	57822

Stack Kit

Are you planning to stack your Kenmore washer and dryer? To do so, find the stack kit (8541503) in the drum of the matching Kenmore dryer. Follow instructions included with the kit. See "Location Requirements."

Location Requirements

Selecting the proper location for your washer improves performance and minimizes noise and possible washer “walk.” Your washer can be installed under a custom counter, or in a basement, laundry room, closet, or recessed area. See “Drain System.”

Companion appliance location requirements should also be considered. Proper installation is your responsibility.

You will need

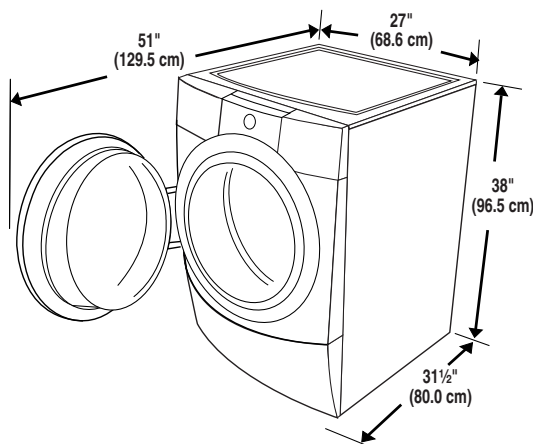
- A water heater set to deliver 120°F (49°C) water to the washer.
- A grounded electrical outlet located within 6 ft (1.8 m) of where the power cord is attached to the back of the washer. See “Electrical Requirements.”
- Hot and cold water faucets located within 4 ft (1.2 m) of the hot and cold water fill valves, and water pressure of 20-100 psi (137.9-689.6 kPa).
- If you live in a hard water area, use of a water softener is recommended to control the buildup of scale in the steamer and other areas of the washer. Over time the buildup of lime scale may clog the steamer, which will reduce steamer efficiency and performance. Excessive buildup of scale may lead to the need for steamer replacement or repair.
- A level floor with a maximum slope of 1" (2.5 cm) under entire washer. Installing the washer on soft floor surfaces, such as carpets or surfaces with foam backing, is not recommended.
- A sturdy and solid floor to support the washer with a total weight (water and load) of 400 lbs (180 kg).

Do not operate your washer in temperatures below 32°F (0°C). Some water can remain in the washer and can cause damage in low temperatures.

Installation clearances

- The location must be large enough to allow the washer door to be fully opened.
- Additional spacing should be considered for ease of installation and servicing.
- Additional clearances might be required for wall, door, and floor moldings.
- Additional spacing of 1" (2.5 cm) on all sides of the washer is recommended to reduce noise transfer.
- Companion appliance spacing should also be considered.

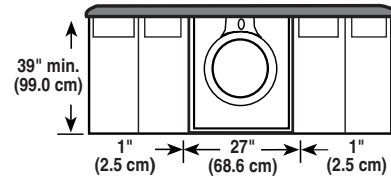
Washer Dimensions



Recommended installation spacing for custom undercounter installation

The dimensions shown are for the recommended spacing.

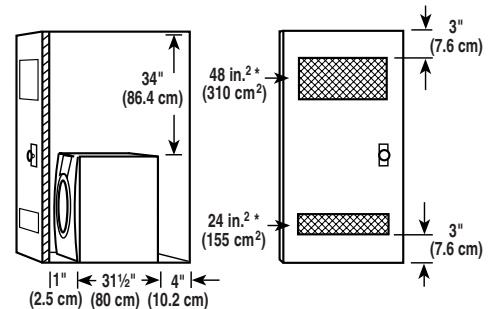
Custom undercounter installation - Washer only



Recommended installation spacing for recessed or closet installation, with or without a pedestal

The dimensions shown are for the recommended spacing.

Recessed area or closet installation



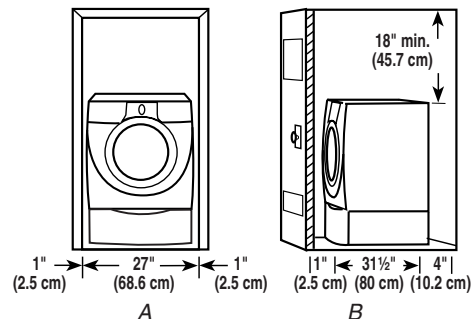
A

B

A. Side view - closet or confined area
B. Closet door with vents

*Min. top and bottom air openings for closet door.

Recessed or closet installation - Washer on pedestal

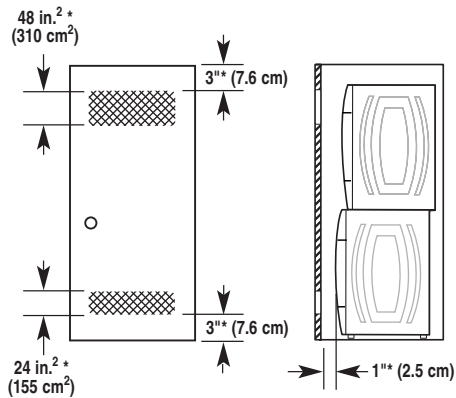


A. Recessed area

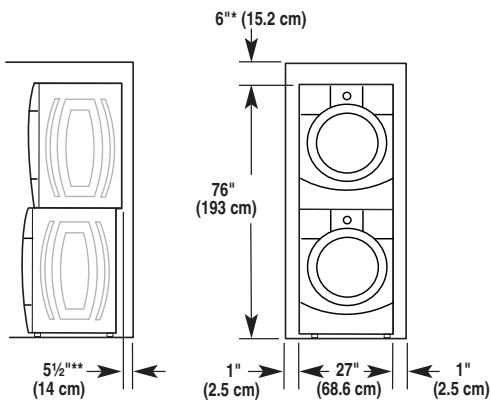
B. Side view - closet or confined area

Recommended installation spacing for recessed or closet installation, with stacked washer and dryer

The dimensions shown are for the recommended spacing.



*Required spacing

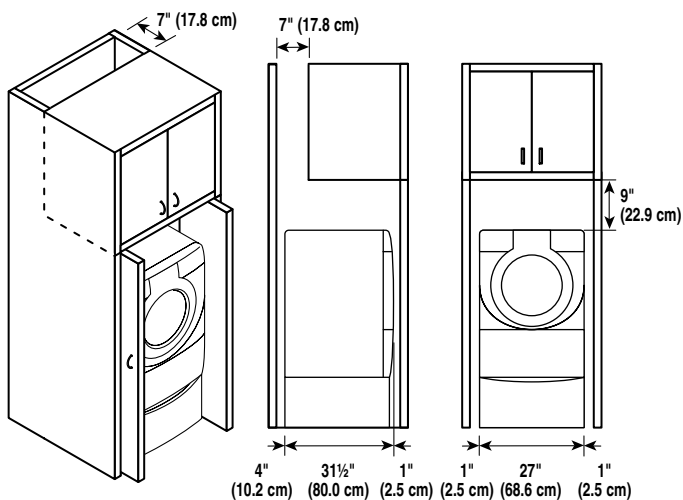


*Required spacing

**For venting out the side, 1" (2.5 cm) spacing is allowed.

Recommended installation spacing for cabinet installation

- The dimensions shown are for the recommended spacing.
- For cabinet installation, with a door, the minimum ventilation openings in the top are required.



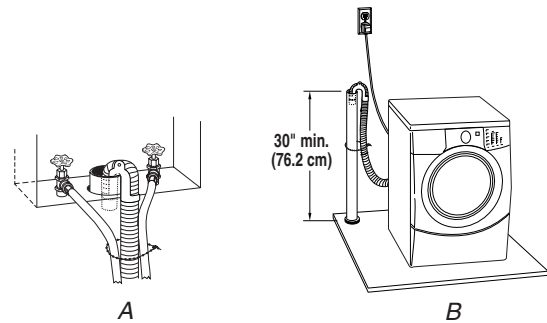
Drain System

The washer can be installed using the standpipe drain system (floor or wall), the laundry tub drain system, or the floor drain system. Select the drain hose installation method you need. See "Tools and Parts."

Standpipe drain system - wall or floor (views A & B)

The standpipe drain requires a minimum diameter standpipe of 2" (5 cm). The minimum carry-away capacity can be no less than 17 gal. (64 L) per minute.

The top of the standpipe must be at least 30" (76.2 cm) high and no higher than 96" (2.4 m) from the bottom of the washer.



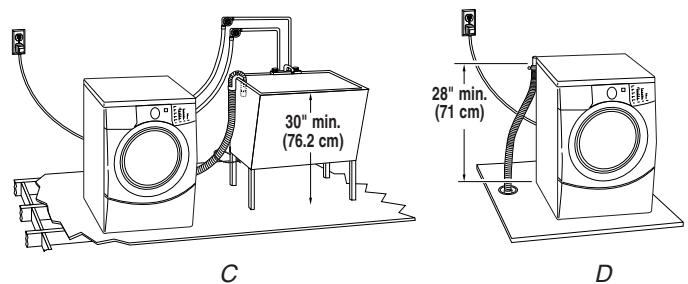
Laundry tub drain system (view C)

The laundry tub needs a minimum 20 gal. (76 L) capacity. The top of the laundry tub must be at least 30" (76.2 cm) above the floor.

Floor drain system (view D)

The floor drain system requires a siphon break that may be purchased separately. See "Tools and Parts."

The siphon break must be a minimum of 28" (71 cm) from the bottom of the washer. Additional hoses might be needed.



Electrical Requirements

⚠ WARNING



Electrical Shock Hazard

Plug into a grounded 3 prong outlet.

Do not remove ground prong.

Do not use an adapter.

Do not use an extension cord.

Failure to follow these instructions can result in death, fire, or electrical shock.

- A 120 volt, 60 Hz., AC only, 15- or 20-amp, fused electrical supply is required. A time-delay fuse or circuit breaker is recommended. It is recommended that a separate circuit serving only this appliance be provided.
- This washer is equipped with a power supply cord having a grounded 3 prong plug.
- To minimize possible shock hazard, the cord must be plugged into a mating, grounded 3 prong outlet, grounded in accordance with local codes and ordinances. If a mating outlet is not available, it is the personal responsibility and obligation of the customer to have the properly grounded outlet installed by a qualified electrician.

- If codes permit and a separate ground wire is used, it is recommended that a qualified electrician determine that the ground path is adequate.
- Do not ground to a gas pipe.
- Check with a qualified electrician if you are not sure the washer is properly grounded.
- Do not have a fuse in the neutral or ground circuit.

GROUNDING INSTRUCTIONS

For a grounded, cord-connected washer:

This washer must be grounded. In the event of a malfunction or breakdown, grounding will reduce the risk of electrical shock by providing a path of least resistance for electric current. This washer is equipped with a cord having an equipment-grounding conductor and a grounding plug. The plug must be plugged into an appropriate outlet that is properly installed and grounded in accordance with all local codes and ordinances.

WARNING: Improper connection of the equipment-grounding conductor can result in a risk of electric shock. Check with a qualified electrician or serviceman if you are in doubt as to whether the appliance is properly grounded.

Do not modify the plug provided with the appliance – if it will not fit the outlet, have a proper outlet installed by a qualified electrician.

For a permanently connected washer:

This washer must be connected to a grounded metal, permanent wiring system, or an equipment grounding conductor must be run with the circuit conductors and connected to the equipment-grounding terminal or lead on the appliance.

INSTALLATION INSTRUCTIONS

Remove Transport System

⚠ WARNING

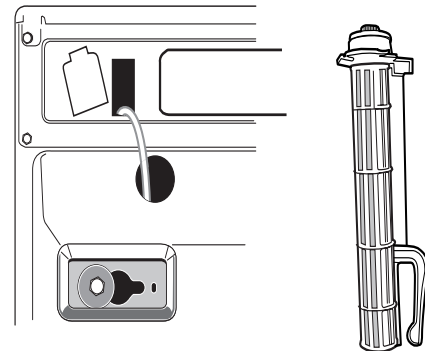
Excessive Weight Hazard

Use two or more people to move and install washer.

Failure to do so can result in back or other injury.

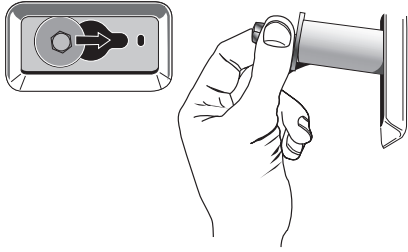
IMPORTANT: Position the washer so that the rear of the washer is within approximately 3 ft (90 cm) of its final location.

There are 4 bolts in the rear panel of the washer that support the suspension system during transportation. These bolts also retain the power cord inside the washer until the bolts are removed.



1. Using a 13 mm wrench, loosen each of the bolts.

- Once the bolt is loose, move it to the center of the hole and completely pull out the bolt, including the plastic spacer covering the bolt.



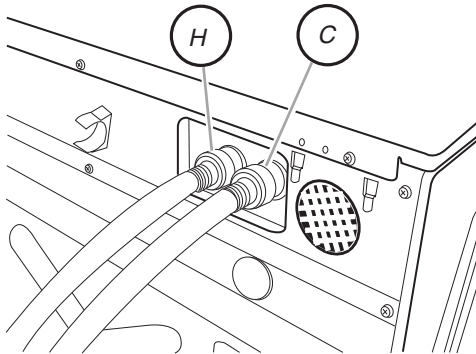
- Once all 4 bolts are removed, discard the bolts and spacers. Then pull the power cord through the opening of the rear panel and close the hole with the attached cap.
- Close the bolt holes with the 4 transport bolt hole plugs.

NOTE: If the washer is to be transported at a later date, call your local service center. To avoid suspension and structural damage to your washer, it must be properly set up for relocation by a certified technician.

Connect the Inlet Hoses

Make sure the washer drum is empty.

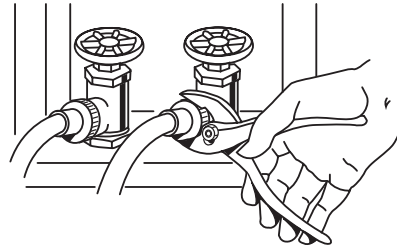
- Attach the hose with the red color indicator to the Hot (left) inlet valve. Attaching the red coupling first makes it easier to tighten connection with pliers. Screw on coupling by hand until it is seated on the washer.
- Attach the hose with the blue color indicator to the Cold (right) water inlet valve. Screw on coupling by hand until it is seated on the washer.



H. Hot water inlet
C. Cold water inlet

- Using pliers, check the tightness of the hose couplings already attached to the washer.
- NOTE:** Do not overtighten. Damage to the coupling can result.
- Attach hot water hose to the hot water faucet. Screw on coupling by hand until it is seated on the washer.
 - Attach cold water hose to the cold water faucet. Screw on coupling by hand until it is seated on the washer.

- Using pliers, tighten the couplings with an additional two-thirds turn.



NOTE: Do not overtighten. Damage to the coupling can result.

- Turn on the water faucets and check for leaks.

NOTE: Replace inlet hoses after 5 years of use to reduce the risk of hose failure. Record hose installation or replacement dates on the hoses for future reference.

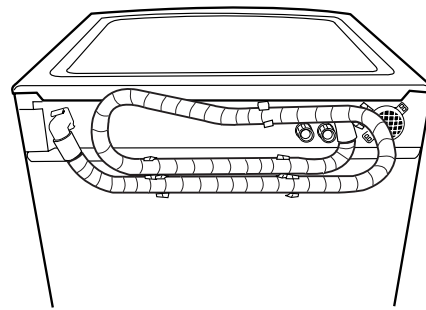
Periodically inspect and replace hoses if bulges, kinks, cuts, wear, or leaks are found.

Route the Drain Hose

Proper routing of the drain hose protects your floors from damage due to water leakage. Read and follow these instructions.

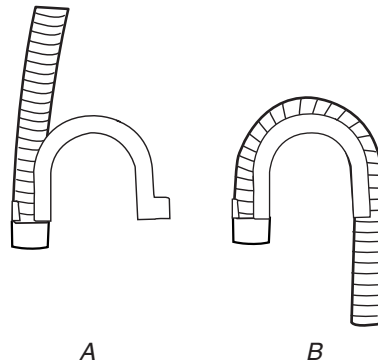
Remove drain hose from washer cabinet

Gently pull the corrugated drain hose from the shipping clips.



Laundry tub drain or standpipe drain

Connect the drain hose form to the corrugated drain hose.



A. Snap either end of the drain hose form to the drain hose at the point where the corrugation begins.

B. Bend drain hose over drain hose form and snap into place.

To keep drain water from going back into the washer:

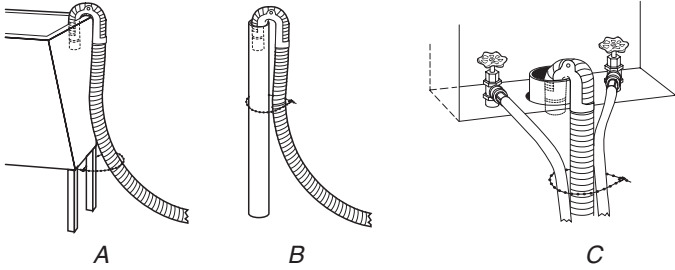
- Do not straighten the drain hose, and do not force excess drain hose into standpipe. Hose should be secure, but loose enough to provide a gap for air.
- Do not lay excess hose on the bottom of the laundry tub.

Floor drain

You may need additional parts. See Floor drain under "Tools and Parts."

Secure the Drain Hose

1. Drape the power cord over the washer top.
2. Secure the drain hose to the laundry tub leg or standpipe with the beaded strap provided. (See illustrations A and B.)



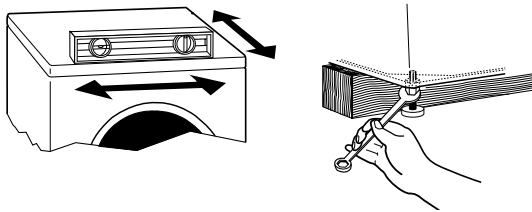
If the washer faucets and the drain standpipe are recessed (see illustration C), put the hooked end of the drain hose in the standpipe. Tightly wrap the beaded strap around the water inlet hoses and the drain hose.

Do not force excess drain hose into the standpipe.

Level the Washer

Properly leveling your washer avoids excessive noise and vibration.

1. Check the levelness of the washer by placing a level on the top edge of the washer, first side to side, then front to back.



If the washer is against a wall, move the washer out slightly before tipping back. If the washer is not level, first prop the front with a wood block and adjust the feet as necessary; then prop the back and adjust feet as necessary. Repeat this step until washer is level.

2. Make sure that all four feet are stable and resting on the floor. Then check that the appliance is perfectly level (use a level).
3. After the washer is level, use a 17 mm open-end wrench to turn the nuts on the feet tightly against the washer cabinet.

IMPORTANT: All four feet must be tightened. If the nuts are not tight against the washer cabinet, the washer may vibrate.

When you are pushing on the edges of the washing machine top plate, the machine should not move front to back, side to side, or diagonally.

4. Slide the washer to its final location.
5. Confirm the levelness of the washer.

Complete Installation

1. Check the electrical requirements. Be sure that you have the correct electrical supply and the recommended grounding method. See “Electrical Requirements.”
2. Be sure all parts are now installed. If there is an extra part, go back through the steps to see which step was skipped.
3. Be sure you have all of your tools.
4. Dispose of/recycle all packaging materials.
5. Be sure the water faucets are on.
6. Check for leaks around faucets and inlet hoses.

⚠ WARNING



Electrical Shock Hazard

Plug into a grounded 3 prong outlet.

Do not remove ground prong.

Do not use an adapter.

Do not use an extension cord.

Failure to follow these instructions can result in death, fire, or electrical shock.

7. Plug into a grounded 3 prong outlet.
8. Read “Washer Use.”
9. To test and to clean your washer, measure $\frac{1}{2}$ of the manufacturer’s recommended amount of powdered or liquid High Efficiency (HE) detergent for a medium-size load. Pour the detergent into the detergent dispenser. Select EXPRESS WASH, and then select START. Allow the washer to complete one whole cycle.



Use only HE High Efficiency detergent.

FEATURES AND BENEFITS

Audio Visual Electronic Controls

Flexible electronic controls are easy to use whether you are a beginner or an expert. Green lights indicate a selected cycle, option, or modifier. If a cycle or option uses STEAMCARE™, the light will be blue instead to indicate that steam will be used during the cycle. Amber lights are used to indicate modifier settings that are available for the selected cycle. If a specific modifier setting is not available, the light will not be illuminated. Different tones are also used to make selecting options and modifiers easier.

Detergent Advantage System Dispenser

The Smart Dispensers make your washer truly automatic. This washer provides a three-compartment dispenser which includes separate compartments for High Efficiency “HE” detergent, fabric softener, and liquid chlorine bleach. The dispenser can easily be removed for cleaning. Laundry products are dispensed automatically at the proper time during the wash cycle, making it unnecessary for you to return to the washer during the cycle to add them and ensuring that these cleaning products perform their very best.

STEAM TREAT™

This washer has a built-in steaming unit which is combined with the STEAM TREAT™ option to provide multiple temperatures to help remove a variety of stains from garments.

Clean Washer cycle with STEAMCARE™

This cycle uses steam to raise the temperature of the unit and makes the washer self-cleaning, flushing the machine's interior free of dirt and other residue. The use of liquid chlorine bleach with this cycle, will remove and avoid odor-causing residue.

Auto Water Level

Adjusting to the size of the load, this feature allows the washer to use the minimal amount of water needed to clean and rinse the clothes. With a low water level, you can obtain the same results with smaller amounts of laundry products. Because only the required amount of water is used, the washer saves energy, too.

Larger Load Size

Since there is no agitator, you can wash larger, bulkier items such as an average size sleeping bag, pillow or a king size bedspread. You are also able to wash more clothes at one time, which means fewer loads.

Suspension System

To reduce washer “walk” and “off-balance” conditions, your new washer combines:

- 2 Springs to isolate vibration
- 4 Shock absorbers at the washer base to minimize movement

Stainless Steel Drum

The stainless steel drum eliminates corrosion and enables higher spin speeds for more water extraction, helping to reduce drying time.

High-Efficiency Wash System

Your new front-loading, high-efficiency washer saves time with fewer, larger loads. It also conserves resources and lowers your water and energy bills.

Spin Speeds

This washer automatically selects a spin speed based on the cycle selected. This factory setting can be changed, however, with up to 5 different spin speed choices.

Thermal Optimizer with Smart Wash Technology

The heating system ensures that the wash water is heated to the preset temperature for Normal/Casual, Heavy Duty, Whitest Whites and the STEAM TREAT™ option. It also provides Smart Wash Technology with “Stepped Cleaning” when you are using the STEAM TREAT™ option. “Stepped Cleaning” starts the wash cycle with warm water to remove stains.

Add Clothes

This option is available in all wash cycles except Rinse/Spin, Drain/Spin and Clean Washer. When this option is available at the beginning of the cycle, the Add Clothes status light will illuminate for the first 4-8 minutes. This washer allows a 4-8 minute period in which other garments may be added to a load.

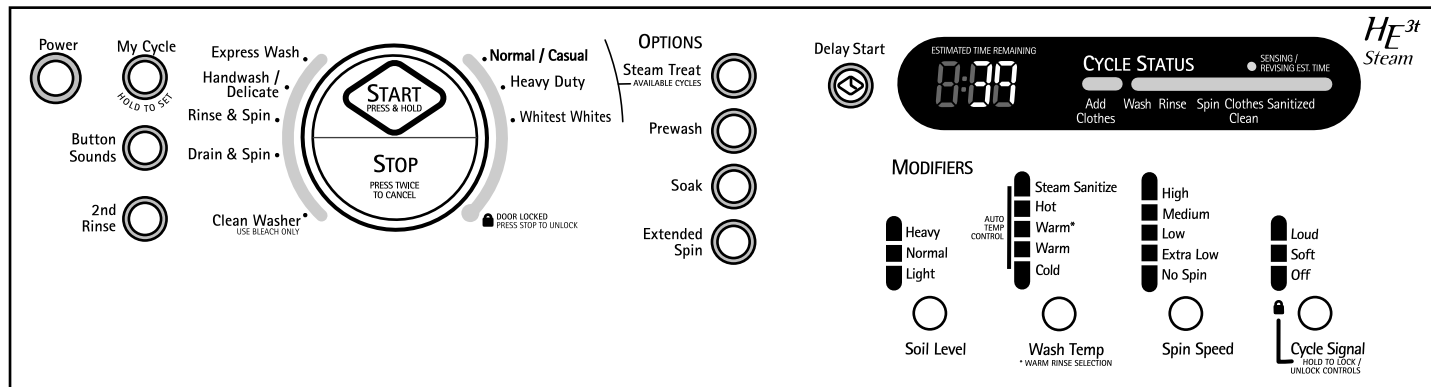
CATALYST® Cleaning Action

A concentrated detergent solution is sprayed onto the clothes at the beginning of the cycle to ensure that the detergent comes into contact with the clothes as quickly as possible, helping to remove stains from your clothes without pretreating.

Dynamic Balance

A precision balancing system that allows the washer to reach spin speeds of up to 1,050 rpm. The washer spins faster so that clothes coming out of the washer will dry faster. In addition, if the Dynamic Balance system detects off-balance loads during spinning, it redistributes the clothes so that they are evenly balanced.

WASHER USE



Starting Your Washer

⚠ WARNING



Fire Hazard

Never place items in the washer that are dampened with gasoline or other flammable fluids.

No washer can completely remove oil.

Do not dry anything that has ever had any type of oil on it (including cooking oils).

Doing so can result in death, explosion, or fire.

WARNING: To reduce the risk of fire, electric shock, or injury to persons, read the IMPORTANT SAFETY INSTRUCTIONS before operating this appliance.

The following is a guide to using your washer. Please refer to specific sections of this manual for more detailed information.

Do not store laundry products on the top surface of this washer. Vibration is normal during operation.

Using the Proper Detergent

Use only High Efficiency detergents. The package for this type of detergent will be marked "HE" or "High Efficiency." This wash system, along with less water, will create too much sudsing with a regular non-HE detergent. Using regular detergent will likely result in washer errors, longer cycle times and, reduced rinsing performance. It may also result in component failures and noticeable mold or mildew. HE detergents are made to produce the right amount of suds for the best performance. Follow the manufacturer's instructions to determine the amount of detergent to use.



Use only "HE" High Efficiency detergent.

First Wash Cycle Without Laundry

Before washing clothes for the first time, if not completed during the final installation step, choose the Express Wash cycle and run it without clothes. Use only HE High Efficiency detergent. Use ½ the manufacturer's recommended amount for a medium-size load. This initial cycle serves to ensure the interior is clean before washing clothes.

For All Wash Cycles

1. Open the washer door by pulling on the handle. Sort laundry according to color and type of fabric. Place a load of sorted clothes in the washer. Do not overload washer. Overloading can cause poor cleaning.
 - The washer can be fully loaded, but not tightly packed. Washer door should close easily.
 - Mix large and small items. Avoid washing a single item. Load evenly.
 - Wash small items such as infant socks in mesh garment bags. It is recommended that more than one garment bag be used and that each garment bag be filled with equal amounts of material.
 - When unloading garments, check under the gray colored seal at the front of the tub for small items.
2. Close the washer door by pushing it firmly until the lock clicks. The washer door will remain locked during the wash cycle.

NOTES:

- After any wash cycle is completed, the door must be opened and then closed before a new cycle can begin.
 - The door can be opened if STOP is selected while the ADD CLOTHES light is glowing or if the cycle has been canceled.
 - See "To cancel a cycle" in "Changing Cycles, Options and Modifiers" section.
3. Open the dispenser drawer and add laundry products to the detergent, bleach, or fabric softener compartments. Close drawer slowly to avoid spills. See "Using the Dispenser."

4. Turn on the washer by selecting POWER. Select one of the cycles by turning the cycle selector. The indicator light for the selected cycle will illuminate. When you are selecting a wash cycle, the preset modifiers (Soil Level, Wash Temp and Spin Speed) for the cycle, will illuminate. Selectable modifier settings will glow amber. If an option or modifier is unavailable with the selected cycle, the light will not illuminate. The preset settings provide the recommended fabric care for the selected cycle. The display shows the estimated time remaining. See “Cycles.”
5. Select the desired OPTIONS. Not all Options are available with all cycles. See “Options.”
6. Select the desired MODIFIERS. Not all Modifiers are available with all Cycles and Options. See “Modifiers.”
7. If desired, select the CYCLE SIGNAL. The signal is helpful when you are washing items that should be removed from the washer as soon as it stops. Select LOUD, SOFT or OFF.
8. **To begin the wash cycle immediately**
Select and hold START (for approximately 1 second).
 - If you do not select START within 5 minutes of choosing a cycle, the washer automatically shuts off.
 - When the wash cycle is complete, the CLOTHES CLEAN status light glows, the door unlocks, and the wash load can be removed from the washer. The washer powers down automatically 60 minutes after the cycle is complete and the CLOTHES CLEAN light goes off.
9. **To begin the wash cycle later**
Select Delay Start until the desired delay time (in hours) shows in the Estimated Time Remaining display. Select START. The countdown to the wash cycle will show in the display window, and the button indicator will blink until the cycle begins.
IMPORTANT: When delaying a cycle, use only powdered detergents in the main wash compartment since liquid detergents may seep out of the compartment during Delay Start, before the wash cycle begins.

Using the Dispenser

Your new washer has a dispenser drawer with three separate compartments for your laundry products—one is for high efficiency detergent, one is for liquid chlorine bleach, and one is for liquid fabric softener. Laundry products are diluted and dispensed automatically at the proper time during the wash cycle, making it unnecessary for you to return to the washer during the cycle to add them.

It is normal for small amounts of water to remain in the dispensers when the wash cycle is complete.

Do not put laundry products directly into the wash tub. Always use the proper dispensers when adding laundry products.

Choosing the Right Detergent

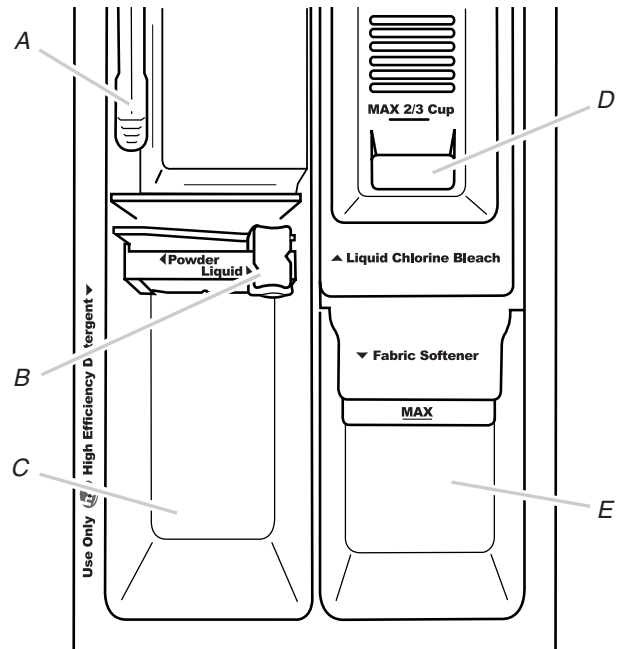
Use only High Efficiency detergents. The package for this type of detergent will be marked “HE” or “High Efficiency.” This wash system, along with less water, will create too much sudsing with a regular non-HE detergent. Using regular detergent will likely result in washer errors, longer cycle times and, reduced rinsing performance. It may also result in component failures and noticeable mold or mildew. HE detergents are made to produce the right amount of suds for the best performance. Follow the manufacturer’s instructions to determine the amount of detergent to use.



Use only “HE” High Efficiency detergent.

To fill dispenser compartments

1. Pull out the dispenser drawer.
2. Add the desired laundry product to the proper compartment.
3. Push in the dispenser drawer slowly and completely (to avoid a spill).



Dispenser

- A. Dispenser release lever
- B. Detergent type selector
- C. High Efficiency “HE” detergent compartment
- D. Chlorine bleach compartment
- E. Fabric softener compartment

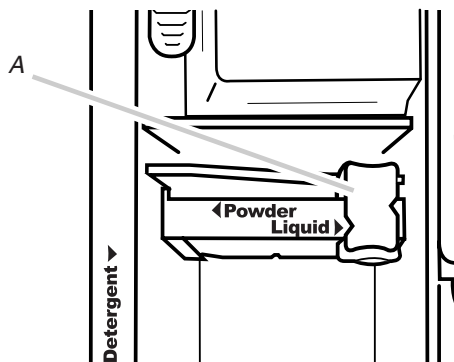
High Efficiency “HE” detergent compartment

((Letters B and C in Dispenser Illustration))

Add liquid or powdered HE detergent to this compartment for your wash cycle. The detergent type selector (B) must always be in the correct position for the detergent type used. Slide the detergent type selector to the correct position.

IMPORTANT: If you are using the Delay Start option, powdered detergent should be used in the compartment since liquid detergents may seep out of the compartment, before the wash begins.

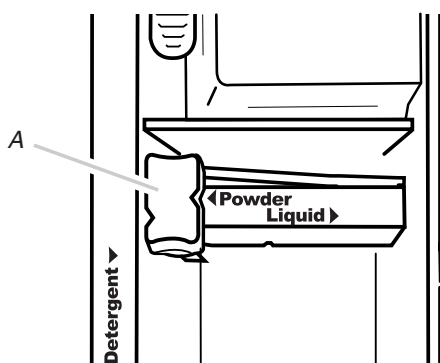
- Use the detergent manufacturer's recommended amount for the load size.
- Liquid detergent:



Selector in position for liquid detergent

A. Detergent type selector

- Powdered detergent:



Selector in position for powdered detergent

A. Detergent type selector

Chlorine bleach compartment

(Letter D in Dispenser Illustration)

Add no more than $\frac{2}{3}$ cup (160 mL) liquid chlorine bleach to this compartment. The bleach will be automatically diluted and dispensed at the best time during the first rinse after the wash cycle. This compartment cannot dilute powdered bleach.

- Always measure liquid chlorine bleach. Use a measuring cup with a pour spout; do not guess. Follow the manufacturer's directions for proper use.
- Do not fill beyond the "MAX" level.

NOTE: Overfilling could cause garment damage.

Fabric softener compartment

(Letter E in Dispenser Illustration)

Pour measured liquid fabric softener into the fabric softener dispenser, if desired.

- Do not overfill. The dispenser holds $\frac{1}{4}$ cup (60 mL) of fabric softener.
- The fabric softener is dispensed in the rinse cycle. If 2nd Rinse is selected, the fabric softener will be dispensed during the 2nd Rinse.
- Do not use fabric softener dispensing balls in this washer. Dispensing balls will not operate correctly with this washer.
- Do not spill or drip any fabric softener onto the clothes.
- At the end of the cycle, a small amount of water may be left in the dispenser. This is normal.

NOTE: Use only liquid fabric softener in this dispenser.

Pausing or Restarting

1. To pause the washer at any time, select STOP.
2. To continue the cycle, select and hold START (for approximately 1 second).

Changing Cycles, Options and Modifiers

Not all Options and Modifiers are available with all Cycles. Available modifier selections will glow. Selectable options will glow amber. If an option or modifier is unavailable with the selected cycle, the light will not illuminate. Once an option or modifier is selected it will glow green. Chosen options or modifiers will glow green.

Cycles, Options and Modifiers can be changed anytime before START is selected.

To cancel a cycle and select a new cycle

1. Select STOP twice.
2. Select POWER.
3. Select desired cycle.
4. Select the desired OPTIONS and MODIFIERS. Not all options or modifiers are available to all cycles. See "Laundry Guide."
5. Select and hold START (for approximately 1 second) to restart the washer at the beginning of the new cycle.

To cancel a cycle

1. Select STOP twice.
2. The washer powers down, the door unlocks, and clothes can be removed.

NOTE: If the water level or the temperature is too high, the washer will drain automatically before the door unlocks.

To change Options or Modifiers after the cycle has started

1. Select STOP once.
2. Select the desired OPTIONS or MODIFIERS. Not all options or modifiers are available to all cycles. See "Laundry Guide."
3. Select and hold START (for approximately 1 second) to continue the cycle.

To drain the washer manually

1. Select STOP twice to cancel the wash cycle.
2. Select POWER.
3. Select DRAIN & SPIN.
4. Select and hold START (for approximately 1 second) to begin the drain.
5. When the spin is complete, the door unlocks. Items can be removed from the washer.

Status Lights

These lights show which portion of the cycle the washer is operating. They also indicate when you can add an additional item to the wash cycle and when the controls are locked.



Adding clothes after wash cycle has begun

This washer allows an 4-8 minute period in which other garments may be added to the load and still be cleaned properly. You can add items to the washer if the ADD CLOTHES status light is glowing.

To add items when ADD CLOTHES light is glowing

1. Select STOP once. The washer will pause for a moment, the washer door unlocks, and then items can be added.
2. To continue the cycle, close the door and select and hold START (for approximately 1 second).

To add items when ADD CLOTHES light is not glowing

1. You must cancel the current cycle by pressing STOP twice. This will cancel the wash cycle and options. The washer door unlocks, and items can be added.
2. Close the door and select the new cycle and options. Select and hold START (for approximately 1 second).

NOTES:

- When selecting a new cycle do not add additional detergent.
- Adding an item after the “Add Clothes” light is off may not allow for proper cleaning of that item.

Clothes Clean

When the wash cycle is complete, the CLOTHES CLEAN status light glows, the door unlocks, and the wash load can be removed from the washer. The washer powers down automatically 60 minutes after the cycle is complete and the CLOTHES CLEAN light goes off.

Sanitized

This Kenmore washer has a sanitizing temperature, that is certified by NSF International, an independent third-party testing and certification organization. The certification verifies that the sanitizing cycle reduces 99.9% of bacteria typically found on clothing, bedding and towels, and there is no carryover of bacteria between loads after the cycle is complete.

If the “Steam Sanitize” wash temperature was selected, when the wash cycle is complete, the SANITIZED status light glows, (the CLOTHES CLEAN status light will glow green), the door unlocks, and the wash load can be removed from the washer. The washer powers down automatically 60 minutes after the cycle is complete and the SANITIZED light and CLOTHES CLEAN light turn off.



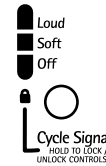
Certified to Sanitize

Locking controls

The Control Lock avoids unintended use of the washer. You can also use the control lock feature to avoid unintended cycle or option changes during a cycle. When CONTROL LOCKED is lit, all buttons are disabled except for STOP and START. You can lock the controls after a cycle begins or before POWER is pressed.

To lock the controls

Select and hold CYCLE SIGNAL for 3 seconds after the cycle starts, or when the washer is powered off.



The status light next to the CYCLE SIGNAL button will glow.

To unlock the controls

Select and hold CYCLE SIGNAL for 3 seconds until the status light turns off.

NOTE: To lock or unlock the controls when the washer is off, press and hold CYCLE SIGNAL for 3 seconds.

Door Locked

When the status light glows, the door is locked.

Sensing/Revising Est. Time

The cycle times vary automatically based on your water pressure, water temperature, detergent, and clothes load.

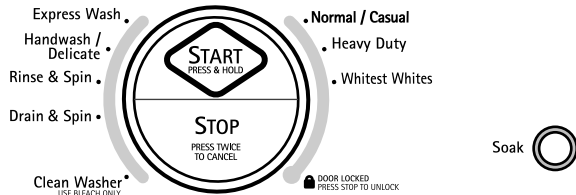
The washer will automatically sense the progress in the cycle and adjust the Estimated Time Remaining display. While the washer is sensing, the estimated time will flash and the Sensing/Revising Est. Time status light will glow. When the sensing is complete, the flashing stops, the status light goes off and the Estimated Time Remaining display is updated.

The cycle time will be extended if oversudsing occurs or the load is unbalanced. The SUD routine removes extra suds and assures proper rinsing of your garments. See “Troubleshooting.” During the unbalance routine the time displayed may pause until this activity is complete, then resume with the remainder of the cycle.

Cycles

Wash Cycles

Choose Wash Cycles by turning the selector knob. The cycle indicator light will glow when selected. Each cycle is designed for different types of fabric and soil levels. The modifier indicator lights, on the right-hand side of the panel, will change as cycles are selected.



- Each cycle has a preset Soil Level (estimated cycle time), Water Temperature and Spin Speed and may have preset Options. The preset settings provide the recommended fabric care for the selected cycle.
- The preset settings will glow green to show the preselected options and modifiers, and can be changed anytime before START is selected. Not all Options and Modifiers are available with all cycles. Available modifier selections will glow amber. (To change settings after the cycle has started, select STOP once, then select the desired settings. Select and hold START [for approximately 1 second] to continue the cycle.)

Preset cycle settings

Each cycle has a preset Cycle Time, Water Temp, and Spin Speed. The preset settings provide the recommended fabric care for the selected cycle. See chart.

Cycle	Soil Level (hr:min)	Water Temp (Wash/Rinse)	Spin Speed
Express Wash (2-3 items)	Light (0:30)	Warm/Cold	High
Handwash/Delicate	Normal (0:35)	Cold/Cold	Low
Rinse & Spin	N/A (0:22)	Cold/Cold	High
Drain & Spin	N/A (0:13)	N/A	High
Clean Washer	N/A (1:05)	N/A	N/A
Whitest Whites	Heavy (1:30)	Hot/Cold	High
Heavy Duty	Heavy (1:20)	Hot/Cold	High
Normal/Casual	Normal (0:50)	Warm/Cold	High
Soak	Normal (0:30)	Warm	No Spin

To change the preset cycle settings

Press the selector of each available setting until the desired setting glows green.

Express Wash

Use this cycle to wash small loads of 2-3 lightly soiled garments that are needed in a hurry. This cycle combines fast-speed tumbling, a shortened wash time, and high speed spin to shorten drying time. Large wash loads will result in the machine increasing the wash time.

Handwash/Delicate

Use this cycle to clean hand washable items and ultra delicate garments. (Check label instructions to make sure that garment is washable.) This cycle gently tumbles and spins with low-speed to gently clean garments and minimize wrinkling.

- Use mesh garment bags to wash undergarments such as underwire bras, items with strings, and small items such as infant socks.
- Powdered detergents may not dissolve well in a slow-speed cycle. For best results, use liquid detergent for slow-speed cycles.

Rinse & Spin

Use this cycle to rinse, drain, and spin your wash load. This cycle combines fast-speed tumbling and high-speed spin. If desired, you can reduce the spin speed by selecting the speed you want from the SPIN SPEED modifier.

Rinse & Spin is useful for

- Loads that need rinsing only.
- Adding fabric softener to a load using the fabric softener dispenser.

Drain & Spin

Use this cycle to drain your washer or to drain and spin your wash load. The spin speed is preset to high. If desired, you can reduce the spin speed by selecting the speed you want from the SPIN SPEED modifier.

NOTE: Loads of synthetics, delicate fabrics, handwashables, and woolsens should be drained with no spin or low spin to avoid fabric stress.

Clean Washer

Use the Clean Washer cycle once a month to keep the inside of your washer fresh and clean. This cycle uses a higher water level in combination with liquid chlorine bleach and steam, to thoroughly clean the inside of your washing machine. This cycle should not be interrupted. See "Cleaning Your Washer" in the "Washer Care" section.

IMPORTANT: Do not place garments or other items in the washer during the Clean Washer cycle. Use this cycle with an empty wash drum.

Whitest Whites

This cycle is especially designed for cleaning loads of soiled white fabrics with the addition of bleach. Hot washing temperatures assure optimal bleach activity. An additional rinse provides optimal rinse performance to avoid chlorine residues on your laundry. This cycle combines fast-speed tumbling, longer wash time, and high speed spin to shorten drying time.

Heavy Duty

Use this cycle to wash loads of sturdy, colorfast fabrics and heavily soiled garments. This cycle combines fast-speed tumbling, longer wash time, and high speed spin to shorten drying times. If the water temperature is lower than needed for this cycle, the heater will warm the water to the optimum temperature.

Normal/Casual

Use this cycle to wash loads of no-iron fabrics such as sport shirts, blouses, casual business clothes, permanent press blends, cottons and linens, and synthetic fabrics. This cycle combines medium-speed tumbling, high-speed spin, and a load cooling process to reduce wrinkling.

NOTE: For the best energy performance, use the Normal/Casual Cycle.

Soak

Use the Soak cycle to remove small spots or stains on fabrics. This cycle provides up to a 30-minute soak time with warm or cold water followed by drain. Extra water, a short tumbling phase for equal distribution of the laundry, and a soaking time without drum movement improve the removal of stains. Drain without spin assures gentle treatment, even for delicate articles.

Using the Soak Cycle: The Soak cycle provides a soak time with warm or cold water followed by drain.

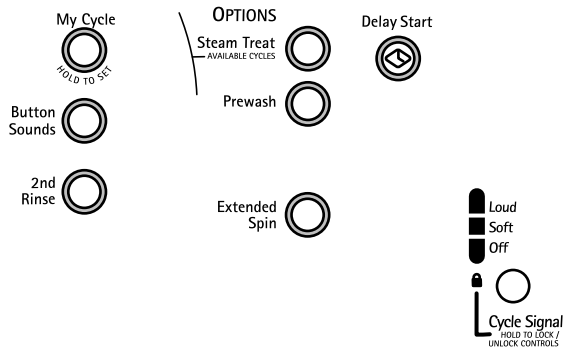
1. Add detergent only to the High Efficiency “HE” detergent compartment of the dispenser drawer.
2. Press the SOAK button.
3. Choose the desired soak temperature.
4. Select and hold START (approximately 1 second).

Normal Washer Sounds

As with any new product, you will hear sounds that you are not accustomed to. You may hear various sounds when the door is locked or unlocked, and during the washing, rinsing, or spinning process. Between changes in wash actions, there will be momentary pauses. You will hear water spraying and splashing during the wash and rinse cycles. These new sounds and pauses are part of normal washer operation. (See “Troubleshooting.”)

Options

You can customize your wash by adding options to your cycle selections. You can add or change an option after starting a cycle anytime before the selected option begins. Not all Options are available with all cycles. Current selections will glow green. If an option is unavailable with a selected cycle, the light will not illuminate.



- See the “Laundry Guide” section for an overview of possible options for each Wash Cycle selection.
- You can select more than one option for a cycle. Some options cannot be added to some cycles. For example, STEAM TREAT™ cannot be added to the Express Wash cycle.
- If an option is unavailable with a selected cycle, there will be 3 short tones, and the light for that option will not glow when selected.

My Cycle

My Cycle allows you to store a customized wash cycle for future use.

To Customize a Wash Cycle:

1. Select a cycle.
2. Select the desired OPTIONS.

3. Select the desired MODIFIERS.
4. To save the cycle press and hold MY CYCLE (approximately 3 seconds) until a beep sounds.
5. Press START.
6. To reuse this cycle at another time, select MY CYCLE and press START.

Button Sounds

Button sounds are used to notify you of what has been selected or to let you know when something is not available. Button sounds may be turned on or off by selecting BUTTON SOUNDS.

2nd Rinse

A second rinse can be used to aid in the removal of detergent or bleach residue from garments. This option provides an additional rinse with the same water temperature as the normal rinse. This is the default rinse setting for the Whitest Whites cycle. When 2nd Rinse is selected, the indicator light will glow green.

STEAM TREAT™

Use this option for heavily soiled loads that need improved stain treatment, loads with multiple types of stains, or loads you suspect as having stains, but are afraid may have been missed (no sorting or searching for stains). When STEAM TREAT™ is selected, the water temperature of the selected wash cycle is automatically set to warm. The water will then be slowly heated to the temperature selected, along with steam, to aid in stain removal. This option will provide optimal removal of organic stains such as blood. This option is available on the following cycles: Normal/Casual, Heavy Duty, Whitest Whites.

Prewash

Use this option for loads of heavily soiled items that need pretreatment. This option adds a 20-minute prewash without drain to the main wash cycle.

Add detergent to the High Efficiency “HE” detergent compartment of the Dispenser Drawer.

NOTE: The Prewash option cannot be selected with the Soak, Express, Handwash/Delicate Rinse/Spin cycles.

Extended Spin

Use this option to add an additional spin to any cycle to improve drying times for some heavy fabrics or special-care items by reducing excess water, which may save energy.

Delay Start

To begin the wash cycle later, select DELAY START until the desired delay time (in hours) shows in the Estimated Time Remaining display, and then select START. The countdown to the wash cycle will show in the display window, and the button indicator will blink until the cycle begins.

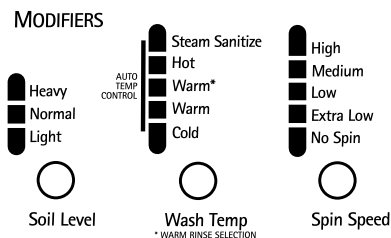
IMPORTANT: When delaying a cycle, use only powdered detergents in the high efficiency “HE” detergent compartment since liquid detergents may seep out of the compartment during DELAY START, before the wash cycle begins.

Cycle Signal

This signal is helpful when you are removing items from the washer as soon as it stops. Select Loud, Soft or Off.

Modifiers

Preset cycle settings of Water Temperature, Spin Speed, and Rinse Options can be changed. You can change a modifier after starting a cycle anytime before the selected Modifier begins. Not all Modifiers are available with all options and cycles. Available modifier settings will glow amber. Current selections will glow green. If an option is unavailable with a selected cycle, the light will not illuminate.



- To change cycle time, select SOIL LEVEL button.
- To change the water temperature, select the WASH TEMP button until the desired setting glows green.
- To change the spin speed, select the SPIN SPEED button until the desired setting glows green.

Wash Temp

Select a water temperature based on the type of load you are washing. Use the warmest wash water safe for fabrics. Follow garment label instructions.

- This Kenmore washer has a sanitizing temperature, that is certified by NSF International, an independent third-party testing and certification organization. The certification verifies that the sanitizing cycle reduces 99.9% of bacteria typically found on clothing, bedding and towels, and there is no carryover of bacteria between loads after the cycle is complete.



Certified to Sanitize

- The Steam Sanitize temperature provides an extra-high temperature to remove 99.9% of certain bacteria. It is recommended that you set your hot water heater to 120°F (49°C) to ensure proper performance during this cycle.
- The Steam Sanitize temperature uses high water temperatures. Please check garment care label to avoid garment damage.
- In wash water temperatures colder than 60°F (15.6°C), detergents do not dissolve well. Soils may be difficult to remove.

Warm rinses leave the loads dryer than cold rinses. Warm rinses increase wrinkling. In cold climates, a warm rinse makes the load more comfortable to handle. Cold rinses save energy.

Auto Temp Control

ATC (Auto Temp Control) electronically senses and maintains a uniform water temperature. ATC regulates incoming hot and cold water. The ATC is automatically turned on when a cycle is selected. (See “Preset Cycle Settings” in “Cycles.”)

- ATC works for all wash temperatures.
- ATC works for the rinse temperature where the wash temperature setting is marked with an asterisk, such as Warm*. All other rinse temperatures are cold, and depend on the cold water at your faucet.

Laundry Guide

Refer to this chart for suggested load types and their corresponding cycles. Listed to the right are the options available to each of these washer cycles.

CYCLE	SUGGESTED LOAD TYPE	AVAILABLE OPTIONS				
		Delay Start	STEAM TREAT™	Prewash	Extended Spin	2nd Rinse
Express Wash	Small loads of 2-3 lightly soiled cotton, polyester, nylon, and cotton blends.	✓			✓	✓
Handwash/Delicate	Silk or Ultra Delicate fabrics identified as machine washable.	✓				✓
Rinse & Spin	All loads	✓			✓	✓
Drain & Spin	All loads	✓				✓
Clean Washer	No clothes	✓				
Whitest Whites	Soiled white fabrics	✓	✓	✓	✓	✓
Heavy Duty	Heavily soiled underwear, towels, shirts, etc., made of cotton	✓	✓	✓	✓	✓
Normal/Casual	Normally soiled blouses, shirts, overalls, etc., made of polyester, nylon, cotton, linen, or cotton blends	✓	✓	✓	✓	✓
Soak	All loads	✓				

LAUNDRY TIPS

Preparing clothes for washing

Follow these recommendations to help you prolong the life of your garments.

- Use only High Efficiency detergents. The package for this type of detergent will be marked "HE" or "High Efficiency." This wash system, along with less water, will create too much sudsing with a regular non-HE detergent. Using regular detergent will likely result in washer errors, longer cycle times and reduced rinsing performance. It may also result in component failures and noticeable mold or mildew. HE detergents are made to produce the right amount of suds for the best performance. Follow the manufacturer's instructions to determine the amount of detergent to use.



Use only HE High Efficiency detergent.

- Close zippers, snaps, and hooks to avoid snagging other items. Remove pins, buckles, and other hard objects to avoid scratching the washer interior. Remove non-washable trim and ornaments.
- Empty pockets and turn them inside-out.
- Turn down cuffs; brush away lint and dirt.
- Turn wool and synthetic knits inside-out to avoid pilling.
- Tie strings and sashes so they will not tangle.
- Mend tears, loose hems, and seams.
- Treat spots and stains.
- Stained or wet garments should be washed promptly for best results.
- Mix large and small items, avoid washing single items, and load evenly.
- Wash small items, such as infant socks, in a mesh garment bag. To create a balanced load it is recommended that more than one garment bag be used, and that each garment bag be filled with equal amounts of material.

NOTE: If you are washing only small items, it is recommended that more than one mesh garment bag be used, and that each garment bag be filled with equal amounts of material.

Sorting

- Separate heavily soiled items from lightly soiled ones, even if they would normally be washed together. Separate lint-givers (towels, chenille) from lint-takers (corduroy, synthetics, permanent press). When possible, turn lint-givers inside-out.
- Separate dark colors from light colors, colorfast items from noncolorfast items.
- Sort by fabric and construction (sturdy cottons, knits, delicate items).

Unloading

- Remove clothes from washer after the cycle is completed. Metal objects such as zippers, snaps, and buckles may rust if left in the washer basket for a long time.
- When unloading garments, occasionally check under the gray colored seal at the front of the tub for small items.

Loading

Loading suggestions

Heavy Work Clothes

4 jeans	2 sweatpants
4 workpants	2 sweatshirts
4 workshirts	

Towels

10 bath towels	14 washcloths
10 hand towels	

Mixed Load

3 sheets (1 king, 2 twin)	9 T-shirts
4 pillowcases	9 shorts
3 shirts	10 handkerchiefs
3 blouses	

Delicates

3 camisoles	2 bras
4 slips	2 nighties
4 panties	

EXPRESS WASH cycle

(2-3 garments)	
2 dress shirts	1 pair dress pants

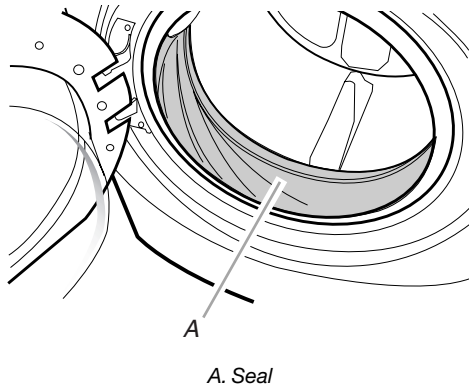
WASHER CARE

Cleaning Your Washer

The Washer Maintenance Procedure should be performed on a monthly basis.

Cleaning the door seal

1. Open the washer door and remove any clothing or items from the washer.
2. Inspect the gray colored seal between the door opening and the basket for stained areas. Pull back the seal to inspect areas under the seal. Remove any foreign objects.



3. If stained areas are found, wipe down these areas of the seals, using the procedure that follows.
 - a) Mix a dilute solution, using $\frac{3}{4}$ cup (177.4 mL) of liquid chlorine bleach, and 1 gal. (3.8 L) of warm tap water.
 - b) Wipe the seal area with the dilute solution, using a damp cloth.
 - c) Let stand 5 minutes.
 - d) Wipe down area thoroughly with a dry cloth and let the washer interior air dry with door open.

IMPORTANT:

- Wear rubber gloves when cleaning for prolonged periods.
- Refer to the bleach manufacturer's instructions for proper use.

Washer Maintenance Procedure

This washer has a special cycle that uses higher water volumes and steam, in combination with liquid chlorine bleach to thoroughly clean the inside of the washer.

NOTES:

- Read these instructions completely before beginning the cleaning process.
- If necessary, the cleaning cycle may be interrupted by pressing the STOP button. However, this will not immediately stop the cycle. The machine will display "int" (interrupt) and continue with several rinse and drain steps to ensure that all remaining bleach is rinsed from the washer.

Begin procedure

1. Open the washer door and remove any clothing or items from the washer.
2. Open the dispenser drawer and immediately add $\frac{2}{3}$ cup (160 mL) of liquid chlorine bleach to the bleach compartment.
NOTE: Do not add any detergent to this cycle. Use of more than $\frac{2}{3}$ cup (160 mL) of bleach will cause product damage over time.
3. Close the washer door and dispenser drawer.
4. Select the CLEAN WASHER cycle.
5. Press START.
NOTE: The basket will rotate, then the door will unlock, lock again, and then the cycle will continue.
 - The machine will bring in some inlet water, and the basket will rotate while the washer runs a short sensing cycle. This will take approximately 3 minutes.
6. The cycle will determine whether clothing or other items are in the washer.
 - a) If no items are detected in the washer, it will proceed to Step 7.
 - b) If any items are detected in the washer, "rL" will be displayed, and the WASH and CONTROLS LOCKED lights will remain lit. The door will unlock. Open and remove any garments in the wash drum.
 - Press STOP to cancel the failure code. Then repeat steps 3, 4 and 5 to start the cycle again.
7. Once the cycle has begun, allow the cycle to complete.
8. After the cycle is complete, leave the door open slightly, to allow for better ventilation and drying of washer interior.

Always do the following to maintain washer freshness

- Use only HE High Efficiency detergent.
- Leave the door slightly open after each cycle to allow for better ventilation and drying of washer interior.
- Repeat the cleaning procedure monthly.
- If the procedure does not sufficiently improve the machine freshness, evaluate your installation and usage conditions for other causes.

Cleaning the exterior

Use a soft damp cloth or sponge to wipe up any spills. Occasionally wipe the outside of your washer to keep it looking new. Use mild soap and water. Do not use abrasive products.

Cleaning the dispenser drawer

The dispenser drawer is removable for easy cleaning.

1. Unlock the dispenser drawer by pressing the Release Lever. See "Using the Dispenser." Remove the drawer.
2. Remove the inserts (the siphon from the softener and bleach compartments and the selector).
3. Wash the parts under running water.
4. Replace the inserts and return the dispenser to the drawer.

Water Inlet Hoses

Replace inlet hoses after 5 years of use to reduce the risk of hose failure. Periodically inspect and replace inlet hoses if bulges, kinks, cuts, wear or leaks are found.

When replacing your inlet hoses, record the date of replacement.

Vacation, Storage, and Moving Care

Install and store your washer where it will not freeze. Because some water may stay in the hoses, freezing can damage your washer. If storing or moving your washer during freezing weather, winterize it.

Non-use or vacation care:

Operate your washer only when you are at home. If you will be on vacation or not using your washer for an extended period of time, you should:

- Unplug washer or disconnect power.
- Turn off the water supply to the washer. This helps avoid unintended flooding (due to a water pressure surge) while you are away.
- Slightly open door to provide ventilation.

To winterize washer:

1. Put 1 qt (1 L) of R.V.-type antifreeze in the drum.
2. Run washer on a Drain & Spin cycle.
3. Unplug washer or disconnect power.
4. Shut off both water faucets.
5. Disconnect water inlet hoses from faucets and drain.

To use washer again:

1. Flush water pipes. Reconnect water inlet hoses to faucets. Turn on both water faucets.

⚠ WARNING



Electrical Shock Hazard

Plug into a grounded 3 prong outlet.

Do not remove ground prong.

Do not use an adapter.

Do not use an extension cord.

Failure to follow these instructions can result in death, fire, or electrical shock.

2. Plug in washer or reconnect power.
3. Run the washer through the Normal/Casual cycle with ½ the manufacturer's recommended amount of HE detergent for a medium-size load, to clean the washer and remove the antifreeze, if used.

To transport the washer:

1. If washer will be moved during freezing weather, put in 1 qt (1 L) of R.V.-type antifreeze in the drum. Run washer on a Drain & Spin cycle.
2. Unplug the power cord.
3. Disconnect the drain hose from the drain system and attach to rear panel clips.
4. Shut off both water faucets.
5. Disconnect the water inlet hoses from faucets, then drain the hoses and clip them to the rear panel of the washer.

IMPORTANT: Call for service. Do not reuse transport bolts. Washer must be transported in the upright position. To avoid suspension and structural damage to your washer, it must be properly set up for relocation by a certified technician.

Reinstalling the washer

1. Follow the "Installation Instructions" to locate, level and connect the washer.
2. Run the washer through the Normal/Casual cycle with ½ the manufacturer's recommended amount of HE detergent for a medium-size load, to clean the washer and remove the antifreeze, if used.

TROUBLESHOOTING

First try the solutions suggested here to possibly avoid the cost of a service call...

Washer displaying code message and tone sounds

- **“F20” (Water Inlet Problem—no water or insufficient water supply)**
Select STOP twice to cancel the cycle. Unplug washer or disconnect power.
Check the following:
Are water faucets completely turned on?
Are screens at inlet hose connection to washer clogged?
Are water inlet hoses kinked?
Are water inlet hoses frozen?
Plug in washer or reconnect power. Re-select cycle and press START. If the problem remains, call for service.
- **“F21” (Drain Problem)**
Select STOP twice to cancel the cycle. Unplug washer or disconnect power.
Check the following:
Is the drain hose kinked?
Is the drain hose frozen?
Is the drain hose clogged?
Is the drain hose more than 96" (2.4 m) above the floor?
Plug in washer or reconnect power. Re-select cycle and press START. If the problem remains, call for service.
- **“SUD” (Suds Routine)**
When excessive suds are detected, a suds routine automatically starts. This routine removes extra suds and assures proper rinsing of your garments. “SUD” is displayed during rinsing to inform you that Suds Routine was activated. Use only HE (High Efficiency) detergents.
- **“F22” (Front door lock)**
Select STOP twice to cancel the cycle.
Is the washer door firmly shut?
The door must be completely closed for the washer to operate. The door may look closed, but may not be latched. Open the door and close firmly.
Were you washing a large load?
Before you close the washer door, check for laundry items sticking out beyond the door opening. Leave enough space in the washer to allow the clothes to tumble freely. An overloaded basket may keep the door from shutting completely. Reduce your load size if needed.
Press POWER, re-select cycle and press START.
- **“F” Codes other than F20, F21 and F22**
Select STOP twice to cancel the cycle. Select DRAIN & SPIN if there is excessive water in the washer.
Re-select cycle and press START. If the problem remains, call for service.

Washer won't start

⚠ WARNING



Electrical Shock Hazard

Plug into a grounded 3 prong outlet.

Do not remove ground prong.

Do not use an adapter.

Do not use an extension cord.

Failure to follow these instructions can result in death, fire, or electrical shock.

- **Check the following:**
Is the power cord plugged into a grounded 3 prong outlet?
Is the washer door firmly shut?
Has a cycle been selected, but START has not been selected and held for 1 second?
Was the door open after completion of last cycle?

Washer won't fill, wash or rinse

- **Check the following:**
Is the power cord plugged into a grounded 3 prong outlet?
Is there power at the plug? Check electrical source or call electrician.
Are the hot and cold water faucets turned on?
Is the water inlet hose kinked?
Are the water inlet valve screens clogged?
Turn off the water and remove inlet hoses from the washer. Remove any accumulated film or particles. Reinstall hoses, turn water on and check for leaks.

Washer stops

- **Check the following:**
Is the power cord plugged into a grounded 3 prong outlet?
Is there power at the plug?
Check electrical source or call electrician.
Has a household fuse blown, or has a circuit breaker tripped?
Replace the fuse or reset the circuit breaker. If the problem continues, call an electrician.
Are you using an extension cord?
Do not use an extension cord.

Washer won't drain or spin

- **Is the drain hose clogged, or the end of the drain hose more than 96" (2.4 m) above the floor?**
- **Is your voltage low?**
Check electrical source or call electrician. Do not use an extension cord.
- **Is the "SUD" routine active?**
Cycle will complete once extra suds are removed.
- **Is the load balanced?**
A single or bulky item may cause imbalance. Add more items or redistribute the load.

Washer makes noise or vibrates

- **Is the washer level?**
The washer must be level. The four feet should be properly installed, and the nuts should be tightened against the washer cabinet.

As water is drained from the washer, you may hear air being pulled through the pump. This happens during the end of draining. It is normal.
- **Are you washing items with metal snaps, buckles or zippers?**
You may hear metal items touching the washer drum. This is normal.
- **Is washer installed on a sturdy and solid floor?**
Refer to the "Installation Instructions" for flooring requirements. Noise and vibration may be reduced by placing a piece of ¾" (19.1 mm) plywood underneath your washer. The plywood may extend underneath both washer and dryer to keep them at equal heights.

Water near washer

Check household plumbing for leaks.

Dispensers clogged or leaking

- **Are the laundry products in the correct dispenser compartment?**
Add the correct amounts of detergent, fabric softener or liquid chlorine bleach to the correct compartments. Add powdered or liquid color-safe bleach to the Main Wash compartment. Be sure to match powdered color-safe bleach with powdered detergent or match liquid color-safe bleach with liquid detergent.
- **Is the detergent type separator in the correct position?**
Separator should be in the lowered position when using liquid detergent and in the upper position when using powdered detergent.

Washer odor

- **See "Cleaning Your Washer."**
- **Are you using HE detergent?**
Use of non-HE detergent can cause a film residue which can result in odor.
- **Did you leave the door open after use?**
This washer has a tight seal to avoid water leaks. To avoid odors leave the door open to allow the washer to dry between uses.

Load too wet

- **Did you use the right cycle for the load being washed?**
Select a cycle with a higher spin speed.
- **Did you wash a single item or bulky items or have you overloaded the washer?**
A single item, bulky items, or overloading may cause imbalance. Add items or try to evenly distribute your wet laundry in the drum, and start a Drain & Spin cycle. If the laundry is still wet, take half of the load out of the washer and try again.

Residue or lint on load

- **Did you add detergent to the dispenser?**
For best results, add detergent to the detergent compartment. Do not add detergent to the washer drum.
- **Did you sort properly?**
Sort lint givers (towels, chenille) from lint takers (corduroy, synthetics). Also sort by color.
- **Did you overload the washer?**
Do not overload the washer. The washer can be fully loaded, but not tightly packed. The wash load must be balanced. Lint can be trapped in the load if overloaded.
- **Check the following:**
Was paper or tissue left in pockets?
- **Did you use enough HE detergent?**
Use enough detergent to remove lint and hold it in suspension. Use only HE detergent. Follow the manufacturer's instructions to determine the amount of detergent to use.
- **Is your water colder than 60°F (15.6°C)?**
Wash water colder than 60°F (15.6°C) may not completely dissolve the detergent.
- **Are you using a low speed wash cycle?**
Powdered detergents may not dissolve well in a slow-speed cycle. For best results, use liquid detergent for slow-speed cycles such as Handwash/Wool and Silk/Ultra Delicate.

Stains on load

- **Did you add detergent to the dispenser?**
For best results, add detergent to the detergent compartment. Do not add detergent to the washer drum.
- **Did you use enough HE detergent?**
Use enough detergent to remove soil and hold it in suspension. Use only HE detergent. Follow the manufacturer's instructions to determine the amount of detergent to use.
- **Is there above average iron (rust) in water?**
You may need to install an iron filter.
- **Did you properly sort the load?**
Sort dark clothes from whites and lights.
- **Did you unload the washer promptly?**
To avoid the transfer of dye, unload the washer as soon as it stops.
- **Did you use a fabric softener dispensing ball?**
Dispensing balls will not operate correctly with this washer. Add liquid fabric softener to the fabric softener compartment.
- **Did you use powdered detergent in a low-speed cycle?**
Consider using liquid detergent.
- **Did you use Express Wash on a large load?**
For best results, use Express Wash for small, lightly soiled loads.

Load is wrinkled

- **Did you unload the washer promptly?**
Unload the washer as soon as it stops.
- **Did you use the right cycle for the load being washed?**
Use the Handwash/Delicate cycle or another cycle with a low spin speed to reduce wrinkling.
- **Did you overload the washer?**
The wash load must be balanced and not overloaded. Loads should tumble freely during washing.

Gray whites, dingy colors

- **Did you properly sort the load?**
The transfer of dye can occur when mixing whites and colors in a load. Sort dark clothes from whites and lights.
- **Was the wash temperature too low?**
Use hot or warm washes if safe for the fabric load. Make sure your hot water system is adequate to provide a hot water wash.
- **Did you use enough detergent, or do you have hard water?**
Use more detergent for washing heavy soils in cold or hard water.

Cycle too long

- **Did you choose the STEAM TREAT™ option?**
In this case, the heater and steamer will be activated to provide maximum cleaning performance. Additional time will be added to the regular cycle to heat the water. This additional time will depend on the load size and the hot water inlet temperature.
- **Is the hot water inlet set to the recommended temperature of 120°F (49°C)?**
A hot water temperature below the recommended setting will increase heating time.
- **Is "SUD" shown in the display?**
Excessive sudsing has been detected and a suds routine has been started to reduce excessive suds. This routine will add time to the original cycle.
- **Did the load cause imbalance?**
When too much imbalance occurs, an imbalance routine will start to redistribute the load. During the imbalance routine the time displayed may pause until this activity is complete, then resume with the remainder of the cycle.
- **Did you wash a large load on the Express Cycle?**
The Express Cycle is designed for smaller load sizes (2-3 items) of lightly soiled garments. If larger loads are washed in this cycle, wash time will be increased.
- **Did you wash a large load in a gentle or Delicate cycle?**
When using the Express wash, or Handwash/Delicate wash cycles you should use small loads. This ensures a gentle wash for your garments without increasing cycle times.

Door locked at end of wash cycle

- **Did all of the water drain out of the washer during the spin?**
Select DRAIN & SPIN to remove any water remaining in the washer. The washer door will unlock at the end of the drain.

ÍNDICE

CONTRATOS DE PROTECCIÓN.....	26	Uso del depósito	38
GARANTÍA.....	27	Pausa o reanudación de la marcha.....	40
SEGURIDAD DE LA LAVADORA.....	28	Cambio de ciclos, opciones y modificadores.....	40
REQUISITOS DE INSTALACIÓN	29	Luces de estado	40
Herramientas y piezas.....	29	Ciclos	41
Opciones	29	Sonidos normales de la lavadora.....	43
Requisitos de ubicación.....	30	Opciones.....	43
Sistema de desagüe.....	31	Modificadores.....	44
Requisitos eléctricos	32	Guía para el lavado.....	45
INSTRUCCIONES DE INSTALACIÓN	33	CONSEJOS DE LAVANDERÍA.....	46
Eliminación del sistema de transporte.....	33	Cómo cargar.....	46
Conexión de las mangueras de entrada.....	33	CUIDADO DE LA LAVADORA.....	47
Tendido de la manguera de desagüe	34	Cómo limpiar su lavadora.....	47
Fijación de la manguera de desagüe	34	Mangueras de entrada de agua	48
Nivelación de la lavadora	35	Cuidado durante las vacaciones, el almacenamiento y la mudanza.....	48
Complete la instalación	35	SOLUCIÓN DE PROBLEMAS.....	49
CARACTERÍSTICAS Y BENEFICIOS	36	NÚMEROS DE SERVICIO	CONTRAPORTADA
USO DE LA LAVADORA.....	37		
Puesta en marcha de la lavadora.....	37		
Uso del detergente adecuado.....	37		

CONTRATOS DE PROTECCIÓN

Contratos maestros de protección

¡Felicitaciones por su inteligente adquisición! Su nuevo producto Kenmore® está diseñado y fabricado para proporcionarle años de funcionamiento confiable. Pero al igual que todos los productos, puede necesitar mantenimiento preventivo o reparación de vez en cuando. Es allí donde el Contrato maestro de protección puede ahorrarle dinero e inconvenientes.

El Contrato maestro de protección también ayuda a prolongar la vida de su nuevo producto. He aquí lo que se incluye en el Contrato*:

- ✓ **Piezas y mano de obra** necesarias para ayudar a mantener los productos funcionando correctamente **bajo uso normal**, no sólo en caso de defectos. Nuestra cobertura va **mucho más allá de la garantía del producto**. No existen deducibles ni fallas de funcionamiento que estén excluidas de la cobertura — **protección verdadera**.
- ✓ **Servicio experto** a cargo de un personal de más de 10.000 **técnicos de servicio autorizados por Sears**, lo que significa que su producto será reparado por alguien en quien usted puede confiar.
- ✓ **Llamadas de servicio ilimitado y servicio en todo el país**, con la frecuencia que usted desee, cuando usted desee.
- ✓ **Garantía “sin disgustos”** – reemplazo de su producto protegido si ocurren cuatro fallas o más del producto en el transcurso de doce meses.
- ✓ **Reemplazo del producto** si su producto protegido no puede ser reparado.
- ✓ **Revisión anual de mantenimiento preventivo** a solicitud suya – sin costo adicional.

- ✓ **Ayuda rápida por teléfono** – lo que nosotros llamamos **Solución rápida** – apoyo por teléfono a cargo de un representante de Sears para todos los productos. Piense en nosotros como si fuéramos un “manual parlante para el propietario”.
- ✓ **Protección de sobrevoltaje** contra daños eléctricos debido a fluctuaciones de electricidad.
- ✓ **Protección por pérdida de comida, por un valor anual de \$250**, por cualquier pérdida de comida que sea como resultado de fallas mecánicas de cualquier refrigerador o congelador cubierto bajo la garantía.
- ✓ **Reembolso de la renta** si la reparación de su producto protegido tarda más de lo prometido.
- ✓ **10% de descuento** sobre el precio común por el servicio de reparación que no esté bajo protección, así como también las piezas relacionadas con el mismo que se hayan instalado.

Una vez adquirido el Contrato, tan sólo tiene que llamar para fijar la visita de servicio técnico. Usted puede llamar a cualquier hora, de día o de noche, o fijar una visita técnica en Internet.

El Contrato maestro de protección es una compra sin riesgo. Si por algún motivo usted lo cancela durante el período de la garantía del producto, le proveeremos un reembolso total. O un reembolso proporcional en cualquier momento posterior a la expiración del período de la garantía. ¡Adquiera hoy su Contrato maestro de protección!

Se aplican algunas limitaciones y exclusiones. Para obtener precios e información adicional en EE.UU., llame al 1-800-827-6655.

***La cobertura en Canadá varía en algunos artículos. Para obtener los detalles completos, llame a Sears Canada al 1-800-361-6665.**

Servicio de Instalación de Sears

Para la instalación profesional de Sears de aparatos electrodomésticos, abridores de puertas de garaje, calentadores de agua y otros artículos principales del hogar, en los EE.UU. o en Canadá llame al **1-800-4-MY-HOME®**.

GARANTÍA DE LOS ELECTRODOMÉSTICOS KENMORE ELITE®

GARANTÍA LIMITADA DE UN AÑO

Cuando este electrodoméstico haya sido instalado, operado y mantenido según las instrucciones provistas con el producto, si este electrodoméstico falla por defectos de material o de mano de obra dentro de un año a partir de la fecha de compra, llame al 1-800-4-MY-HOME® para gestionar la reparación libre de cargo.

GARANTÍA LIMITADA DE POR VIDA PARA EL TAMBOR DE ACERO INOXIDABLE

Durante la vida útil de la lavadora a partir de la fecha de compra, siempre y cuando esta lavadora haya sido instalada, operada y mantenida de conformidad con todas las instrucciones provistas con el producto, Sears reemplazará el tambor de lavado de acero inoxidable si tuviera defectos en los materiales o en la mano de obra. Después del primer año, el cliente asume la responsabilidad por cualquier costo de mano de obra relativa al reemplazo de esta pieza.

GARANTÍA LIMITADA DE DIEZ AÑOS EN EL TAMBOR DE PLÁSTICO

Durante diez años a partir de la fecha de compra, siempre y cuando esta lavadora haya sido instalada, operada y mantenida de conformidad con todas las instrucciones provistas con el producto, Sears reemplazará las siguientes piezas del sistema de accionamiento si tuvieran defectos en los materiales o en la mano de obra. Después del primer año, el cliente asume la responsabilidad por cualquier costo de mano de obra relativa al reemplazo de esta pieza.

GARANTÍA LIMITADA DE CINCO AÑOS EN LAS PIEZAS DEL SISTEMA DE ACCIONAMIENTO

Durante cinco años a partir de la fecha de compra, siempre y cuando esta lavadora haya sido instalada, operada y mantenida de conformidad con todas las instrucciones provistas con el producto, Sears reemplazará las siguientes piezas del sistema de accionamiento si tuvieran defectos en los materiales o en la mano de obra: la polea de accionamiento y la correa de accionamiento. Después del primer año, el cliente asume la responsabilidad por cualquier costo de mano de obra relativa al reemplazo de estas refacciones.

GARANTÍA LIMITADA DE DOS AÑOS PARA EL TABLERO ELECTRÓNICO SENSOR SMART™

Durante dos años a partir de la fecha de compra, siempre y cuando esta lavadora haya sido instalada, operada y mantenida de conformidad con todas las instrucciones provistas con el producto, Sears reemplazará el tablero de control electrónico si tuviera defectos en los materiales o en la mano de obra. Después del primer año, el cliente asume la responsabilidad por cualquier costo de mano de obra relativa al reemplazo de estas refacciones.

Si este electrodoméstico es empleado para algún otro uso que no sea el doméstico familiar, esta garantía sólo tiene vigencia por 90 días a partir de la fecha de compra.

ESTA GARANTÍA CUBRE SOLAMENTE LOS DEFECTOS DE MATERIAL Y MANO DE OBRA. SEARS NO PAGARÁ POR LO SIGUIENTE:

1. Los artículos no reutilizables que pueden gastarse por el uso normal, incluyendo, pero sin limitación, filtros, correas, focos y bolsas.
2. Un técnico de servicio para enseñarle al usuario cómo instalar, operar o mantener el producto adecuadamente.
3. Un técnico de servicio para limpiar o mantener este producto.

4. Daños a este producto o fallas del mismo en caso de no ser instalado, operado o mantenido conforme a todas las instrucciones provistas con el producto.
5. Daños a este producto o fallas del mismo como resultado de accidente, abuso, uso indebido o un uso diferente de aquel para el cual fue creado.
6. Daños a este producto o fallas del mismo causados por el uso de detergentes, limpiadores, productos químicos o utensilios diferentes de los recomendados en todas las instrucciones provistas con el producto.
7. Daños a piezas o sistemas o fallas de los mismos como resultado de modificaciones no autorizadas que se hayan efectuado en este producto.

EXCLUSIÓN DE GARANTÍAS IMPLÍCITAS; LIMITACIÓN DE RECURSOS

El único y exclusivo recurso del cliente según los términos de esta garantía limitada será el de reparar el producto según se estipula en la presente. Las garantías implícitas, incluyendo las garantías de comerciabilidad o de capacidad para un propósito particular, serán limitadas a un año o al período más corto permitido por ley. Sears no se hará responsable por daños incidentales o consecuentes. Algunos estados y provincias no permiten la exclusión o limitación de daños incidentales o consecuentes, o limitaciones acerca de cuánto debe durar una garantía implícita de comerciabilidad o capacidad, de modo que las limitaciones o exclusiones arriba mencionadas pueden no aplicarse en su caso.

Esta garantía se aplica sólo mientras este electrodoméstico se usa en los Estados Unidos y Canadá.

Esta garantía le otorga derechos legales específicos, y es posible que usted tenga también otros derechos, los cuales varían de un estado a otro.

Sears, Roebuck and Co.
Dept. 817WA, Hoffman Estates, IL 60179

Sears Canada Inc.
Toronto, Ontario, Canada M5B 2B8

REGISTRO DEL PRODUCTO

En el espacio a continuación, anote el número completo de modelo y serie así como la fecha de compra. Usted puede encontrar esta información en la etiqueta con el número de modelo y de serie ubicada en el producto.

Tenga esta información disponible para facilitarle la obtención de asistencia o servicio con prontitud siempre que llame a Sears con respecto a su electrodoméstico.

Número de modelo _____

Número de serie _____

Fecha de compra _____

Guarde estas instrucciones y su comprobante de compra para referencia futura.

SEGURIDAD DE LA LAVADORA

Su seguridad y la seguridad de los demás es muy importante.

Hemos incluido muchos mensajes importantes de seguridad en este manual y en su electrodoméstico. Lea y obedezca siempre todos los mensajes de seguridad.



Este es el símbolo de advertencia de seguridad.

Este símbolo le llama la atención sobre peligros potenciales que pueden ocasionar la muerte o una lesión a usted y a los demás.

Todos los mensajes de seguridad irán a continuación del símbolo de advertencia de seguridad y de la palabra "PELIGRO" o "ADVERTENCIA". Estas palabras significan:

 **PELIGRO**

Si no sigue las instrucciones de inmediato, usted puede morir o sufrir una lesión grave.

 **ADVERTENCIA**

Si no sigue las instrucciones, usted puede morir o sufrir una lesión grave.

Todos los mensajes de seguridad le dirán el peligro potencial, le dirán cómo reducir las posibilidades de sufrir una lesión y lo que puede suceder si no se siguen las instrucciones.

INSTRUCCIONES IMPORTANTES DE SEGURIDAD

ADVERTENCIA: Para reducir el riesgo de incendio, choque eléctrico o lesiones a personas al usar su lavadora, siga las precauciones básicas, incluyendo las siguientes:

- Lea todas las instrucciones antes de usar la lavadora.
- No lave artículos que hayan sido previamente limpiados, lavados, remojados o humedecidos con gasolina, solventes para lavar en seco, u otras sustancias inflamables o explosivas ya que éstas emanan vapores que podrían encenderse o causar una explosión.
- No agregue gasolina, solventes para lavar en seco, u otras sustancias inflamables o explosivas al agua de lavado. Estas sustancias emanan vapores que podrían encenderse o causar una explosión.
- En ciertas condiciones, puede generarse gas hidrógeno en un sistema de agua caliente que no se haya usado por dos semanas o un período mayor. EL GAS HIDRÓGENO ES EXPLOSIVO. Si no se ha usado el agua caliente durante dicho período, antes de usar la lavadora, abra todos los grifos de agua caliente y deje que corra el agua por varios minutos. Esto liberará todo el gas hidrógeno que se haya acumulado. Debido a la inflamabilidad de dicho gas, no fume ni use una llama abierta durante este lapso.
- No permita que los niños jueguen encima o dentro de la lavadora. Es necesario una supervisión cuidadosa de los niños toda vez que se use la lavadora cerca de ellos.
- Antes de poner la lavadora fuera de servicio o desecharla, quítele la puerta o la tapa.
- No introduzca las manos en la lavadora si el tambor, la tina, o el agitador están funcionando.
- No instale ni almacene esta lavadora donde pudiese estar sometida a la intemperie.
- No trate de forzar los controles.
- No repare ni cambie pieza alguna de la lavadora ni intente realizar tarea alguna de servicio técnico, excepto cuando así se le indique específicamente en este manual o en instrucciones de reparación para el usuario publicadas, que usted entienda y para cuya ejecución cuente con la habilidad necesaria.
- Para obtener información respecto a los requisitos de conexión a tierra, refiérase a los "Requisitos Eléctricos".

GUARDE ESTAS INSTRUCCIONES

REQUISITOS DE INSTALACIÓN

Herramientas y piezas

Reúna las herramientas y piezas necesarias antes de comenzar la instalación. Las piezas provistas están en el tambor de la lavadora.

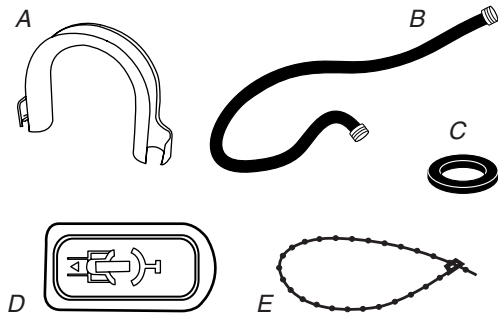
Herramientas necesarias para la conexión de las mangueras de entrada del agua

- Alicates (que se abran a 1 $\frac{1}{16}$ " [39,5 mm])
- Linterna (opcional)

Herramientas necesarias para la instalación

- Llaves de boca de 17 mm y 13 mm
- Nivel
- Bloque de madera
- Regla o cinta de medir

Piezas proporcionadas:



- A. Molde de la manguera de desagüe
 B. Mangueras de entrada (2)
 C. Arandelas de las mangueras de entrada (4)
 D. Tapón para orificios de pernos de transporte (4)
 E. Fleje rebordeado

Piezas alternativas

Las piezas aquí enumeradas se pueden adquirir en la tienda Sears o en el Centro de Servicio Sears de su localidad. Para más información, llame por favor al **1-800-4-MY-HOME® (1-800-469-4663)**.

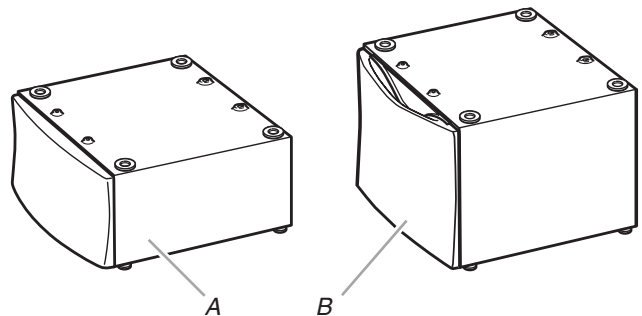
Si tiene	Necesitará adquirir
Un lavadero o tubo vertical a una altura mayor de 96" (2,4 m)	Sistema de bomba de sumidero (si ya no está disponible)
Una alcantarilla suspendida	Un tanque de desagüe normal o un lavadero de uso general de 20 gal. (76 L) y 30" (76,2 cm) de altura y una bomba de sumidero (en venta en establecimientos de plomería locales)
Un desagüe por el piso	Desviación de sifón, Pieza Número 285834; manguera de desagüe adicional, Pieza No. 8318155; y juego de conectores, Pieza Número 285835

Si tiene	Necesitará adquirir
Una manguera de desagüe muy corta	Juego de extensión para manguera de desagüe de 4 pies (1,2 m), Pieza No. 285863
Grifos del agua fuera del alcance de las mangueras de llenado	2 mangueras de llenado de agua más largas: 6 pies (1,8 m) Pieza Número 76314, 10 pies (3,0 m) Pieza Número 350008

Opciones

Pedestal

Usted tiene la opción de comprar por separado pedestales de alturas diferentes para esta lavadora. Puede seleccionar un pedestal de 10" (25,4 cm) o uno de 15,5" (39,4 cm). Recuerde que el pedestal se agregará a la altura total de la lavadora.



A. Pedestal de 10" (25,4 cm)
 B. Pedestal de 15,5" (39,4 cm)

Este pedestal (con cajón de almacenaje) está disponible en varios colores.

Para hacer su pedido, llame a la tienda local de Sears. Para obtener más información, sírvase llamar al **1-800-4-MY-HOME® (1-800-469-4663)**.

Altura del pedestal	Altura aproximada con la lavadora	Color	Número de pieza
10" (25,4 cm)	48" (122 cm)	Blanco	46822
15,5" (39,4 cm)	53" (135 cm)	Blanco	57822

Juego de apilamiento

¿Planea apilar su lavadora y secadora Kenmore? Para hacerlo, busque el juego de apilamiento (8541503) en el tambor de la secadora Kenmore que haga juego. Siga las instrucciones que se incluyen con el juego. Vea "Requisitos de ubicación".

Requisitos de ubicación

La selección de una ubicación apropiada para su lavadora realza el rendimiento y reduce al mínimo el ruido y la posible "caminata" de la lavadora.

La instalación de su lavadora puede ser debajo de un mostrador hecho a la medida, en un sótano, en un cuarto de lavandería, en un clóset o en una zona empotrada. Vea "Sistema de desagüe".

Deberá tenerse en cuenta también los requisitos para la ubicación de otro electrodoméstico que lo acompañe. La instalación correcta es responsabilidad suya.

Usted necesitará

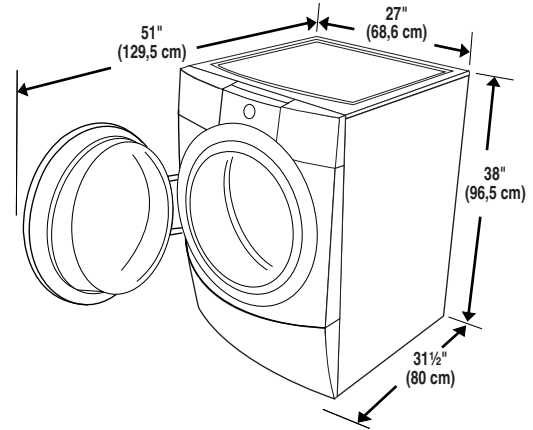
- Un calentador de agua fijado para suministrar a la lavadora el agua a 120°F (49°C).
- Un contacto eléctrico con conexión a tierra ubicado a una distancia de no más de 6 pies (1,8 m) del lugar donde el cable eléctrico está fijado a la parte posterior de la lavadora. Vea "Requisitos eléctricos".
- Los grifos de agua caliente y de agua fría ubicados a una distancia de no más de 4 pies (1,2 m) de las válvulas de llenado del agua caliente y fría y una presión de agua de 20-100 lbs/pulg² (137,9 - 689,6 kPa).
- Si usted vive en una zona donde hay agua dura, se recomienda usar ablandador de agua, para controlar la acumulación de sarro en el evaporador y otras áreas de la lavadora. Con el paso del tiempo, la acumulación de sarro puede obstruir la salida del evaporador, lo que reducirá la eficacia y el rendimiento del evaporador. La acumulación excesiva de sarro puede ocasionar la necesidad de reemplazar o reparar la salida del evaporador.
- Un piso nivelado con un declive máximo de 1" (2,5 cm) debajo de toda la lavadora. No se recomienda instalar la lavadora sobre superficies blandas del piso, tales como alfombras o superficies con reverso de espuma.
- Un piso resistente y firme que soporte la lavadora con un peso total (del agua y de la carga) de 400 lbs (180 kg).

No ponga a funcionar su lavadora a temperaturas inferiores a 32°F (0°C). Puede quedar algo de agua en la lavadora y podría ocasionar daños a bajas temperaturas.

Espacios libres para la instalación

- La ubicación debe ser lo suficientemente grande para permitir que la puerta abra completamente.
- Se debe considerar espacio adicional para facilitar la instalación y el servicio.
- Es posible que se requieran espacios libres adicionales para moldes de pared, puerta y piso.
- Se recomienda un espacio libre adicional de 1" (2,5 cm) en todos los lados de la lavadora para reducir la transferencia de ruidos.
- También se debe considerar un espacio para un electrodoméstico que le acompañe.

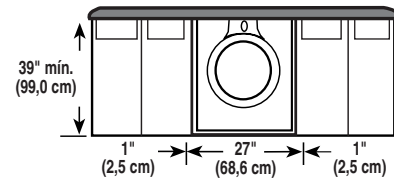
Dimensiones de la lavadora



Recomendaciones de espacios para instalación debajo del mostrador hecho a la medida

Las dimensiones que se muestran son para los espacios recomendados.

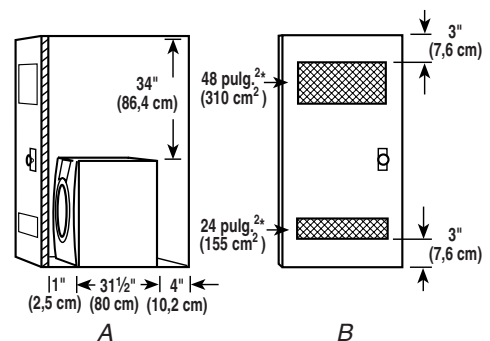
Instalación debajo del mostrador hecho a la medida - Lavadora solamente



Recomendaciones de espacios de instalación para instalación empotrada o en el clóset, con o sin pedestal

Las dimensiones que se muestran son para los espacios recomendados.

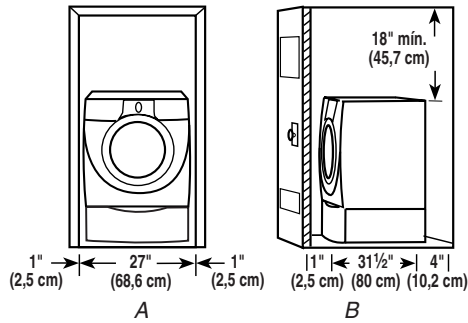
Instalación en el área empotrada o en el clóset



A. Vista lateral - clóset o área confinada
B. Puerta del clóset con ventilación

*Aberturas superior e inferior de aire mínimas para la puerta del clóset.

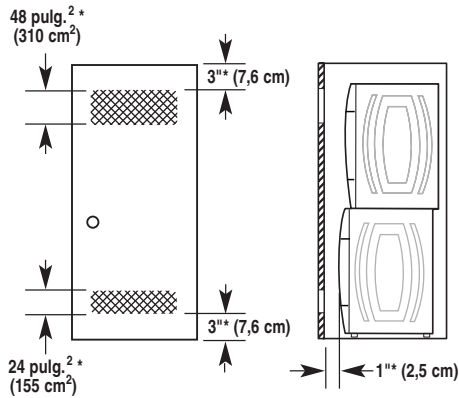
Instalación empotrada o en el clóset – Lavadora sobre pedestal



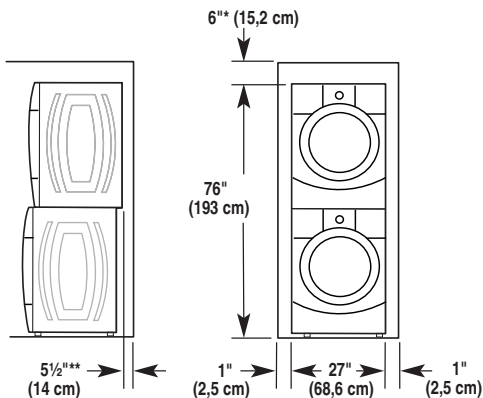
A. Área empotrada
B. Vista lateral – clóset o área confinada

Recomendaciones de espacios de instalación para instalación empotrada o en el clóset, con lavadora y secadora apiladas

Las dimensiones que se muestran son para los espacios recomendados.



*Espacio necesario

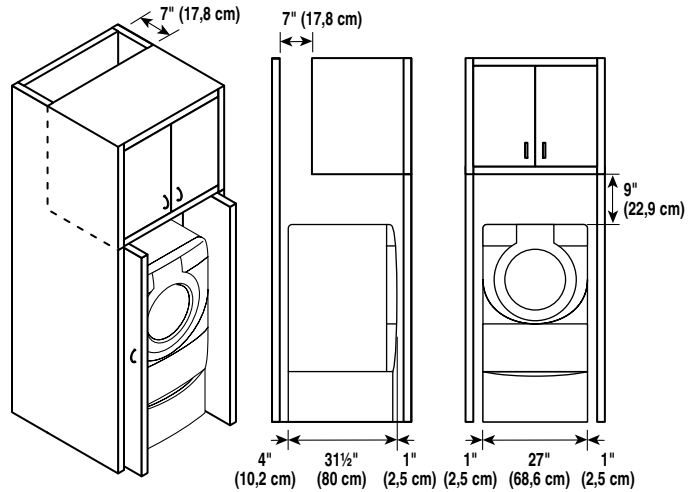


*Espacio necesario

**Para la ventilación lateral, se permite 1" (2,5 cm) de espacio.

Recomendaciones de espacios para la instalación en el clóset

- Las dimensiones que se muestran son para los espacios recomendados.
- Para la instalación en el armario con puerta, se requieren las aberturas de ventilación mínimas en la parte superior.



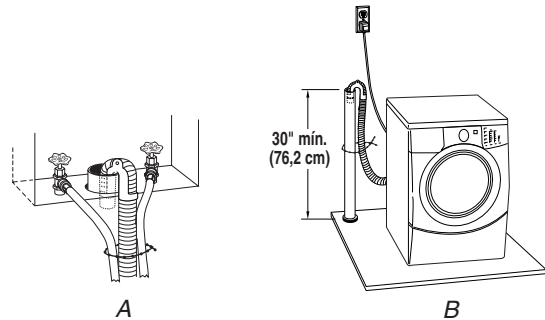
Sistema de desagüe

Se puede instalar la lavadora utilizando el sistema de desagüe por tubo vertical (en el piso o en la pared), el sistema de desagüe por el lavadero, o el sistema de desagüe por el piso. Seleccione el método de instalación de la manguera de desagüe que usted necesite. Vea "Herramientas y piezas".

Sistema de desagüe por tubo vertical – en la pared o en el piso (ilustraciones A y B)

El desagüe por tubo vertical necesita un tubo vertical con un diámetro mínimo de 2" (5 cm). La capacidad mínima de desagüe no puede ser menor de 17 gal (64 L) por minuto.

La parte superior del tubo vertical debe estar a una altura mínima de 30" (76,2 cm) y máxima de 96" (2,4 m) de la parte inferior de la lavadora.



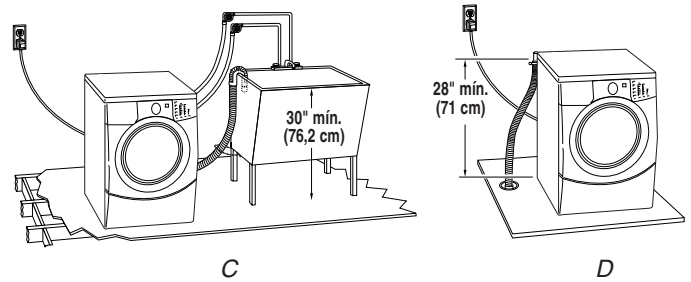
Sistema de desagüe por el lavadero (ilustración C)

El lavadero necesita una capacidad mínima de 20 gal. (76 L). La parte superior del lavadero debe estar a una altura mínima de 30" (76,2 cm) del piso.

Sistema de desagüe por el piso (ilustración D)

El sistema de desagüe por el piso necesita una desviación de sifón que puede adquirirse por separado. Vea "Herramientas y piezas".

La desviación de sifón debe estar a una distancia mínima de 28" (71 cm) de la parte inferior de la lavadora. Quizás necesite mangueras adicionales.



Requisitos eléctricos

⚠ ADVERTENCIA



Peligro de Choque Eléctrico

Conecte a un contacto de pared de conexión a tierra de 3 terminales.

No quite la terminal de conexión a tierra.

No use un adaptador.

No use un cable eléctrico de extensión.

No seguir estas instrucciones puede ocasionar la muerte, incendio o choque eléctrico.

- Se necesita un suministro eléctrico de 120 voltios, 60 hertzios, CA solamente, de 15 ó 20 amperios y protegido con fusibles. Se aconseja el uso de un fusible retardador o cortacircuitos. Asimismo se recomienda el empleo de un circuito separado sólo para este electrodoméstico.
- Esta lavadora viene equipada con un cable eléctrico dotado de un enchufe con tres terminales y conexión a tierra.
- Para reducir el peligro de posibles choques eléctricos, el cable debe conectarse en un contacto apropiado que tenga 3 terminales y conexión a tierra de conformidad con los códigos y ordenanzas locales. Si no dispone del contacto apropiado, es obligación y responsabilidad del cliente contratar a un electricista competente para que instale el contacto debido con conexión a tierra.
- Si los códigos lo permiten y se utiliza un cable a tierra separado, se recomienda verificar con un electricista competente si el circuito de conexión a tierra es el adecuado.
- No derive la conexión a tierra hacia una tubería de gas.

- Si no está seguro de que la conexión a tierra de la lavadora sea la adecuada, verifíquela con un electricista competente.
- No coloque un fusible en el circuito neutro o de conexión a tierra.

INSTRUCCIONES PARA LA CONEXIÓN A TIERRA

Para una lavadora conectada a tierra con cable eléctrico:

Esta lavadora debe conectarse a tierra. En caso de funcionamiento defectuoso o avería, la conexión a tierra reducirá el riesgo de choque eléctrico al proporcionar una vía de menor resistencia para la corriente eléctrica. Esta lavadora viene equipada con un cable eléctrico que tiene un conductor de conexión a tierra del equipo y un enchufe con conexión a tierra. El enchufe debe conectarse en un contacto de pared apropiado que haya sido debidamente instalado y conectado a tierra de conformidad con todos los códigos y ordenanzas locales.

ADVERTENCIA: La conexión incorrecta de la terminal de conexión a tierra del equipo puede ocasionar un riesgo de choque eléctrico. Consulte con un electricista o técnico en reparaciones calificado si tiene duda alguna en cuanto a la conexión a tierra correcta del electrodoméstico.

No modifique el enchufe provisto con el electrodoméstico. Si éste no encaja en el contacto de pared, pida a un electricista calificado que le instale un contacto de pared apropiado.

Para una lavadora con contacto eléctrico permanente:

Esta lavadora debe conectarse a un metal puesta a tierra, un sistema con cableado permanente a tierra o conectarse a un equipo cuyo suministro incluya una terminal de tierra.

INSTRUCCIONES DE INSTALACIÓN

Eliminación del sistema de transporte

⚠️ ADVERTENCIA

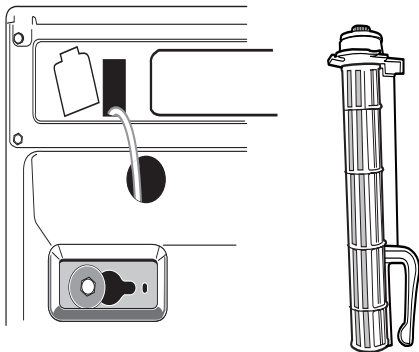
Peligro de Peso Excesivo

Use dos o más personas para mover e instalar la lavadora.

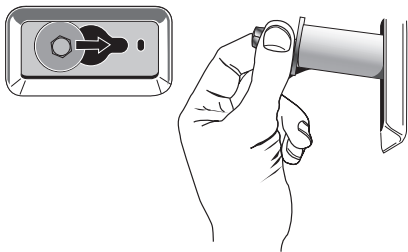
No seguir esta instrucción puede ocasionar una lesión en la espalda u otro tipo de lesiones.

IMPORTANTE: Coloque la lavadora de modo que la parte posterior del aparato esté aproximadamente a 3 pies (90 cm) de distancia de su ubicación final.

Hay 4 pernos en el panel posterior de la lavadora, los cuales sostienen el sistema de suspensión durante el transporte. Estos pernos también retienen el cable de suministro de energía dentro de la lavadora hasta que se quiten los pernos.



1. Utilice una llave de tuercas de 13 mm para aflojar cada uno de los pernos.
2. Una vez que el perno esté flojo, muévelo hacia el centro del orificio y jálelo hacia fuera por completo, incluyendo el espaciador de plástico que cubre el perno.



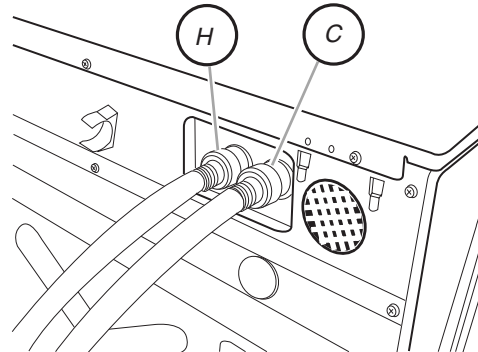
3. Una vez que haya quitado los 4 pernos, descarte los pernos y los espaciadores. Después jale el cable eléctrico por la abertura del panel trasero y cierre el orificio con la tapa adjunta.
4. Cierre los orificios de los pernos con los 4 tapones para orificios de pernos de transporte.

NOTA: Llame a su centro de servicio más cercano si la lavadora se va a transportar unos días más tarde. Para prevenir daños estructurales y de suspensión, su lavadora debe estar debidamente preparada para ser nuevamente ubicada por un técnico certificado.

Conexión de las mangueras de entrada

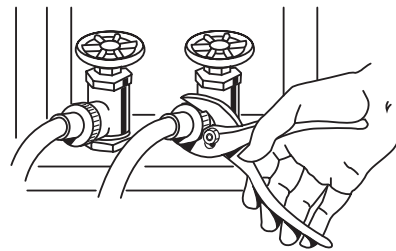
Asegúrese de que el tambor de la lavadora esté vacío.

1. Conecte la manguera con el indicador rojo a la válvula de entrada Caliente (izquierda). El conectar el acoplamiento rojo primero facilita el ajuste de la conexión con los alicates. Atornille el acoplamiento con la mano hasta que se asiente en la arandela.
2. Conecte la manguera con el indicador azul a la válvula de entrada del agua Fría (derecha). Atornille el acoplamiento con la mano hasta que se asiente en la arandela.



H. Entrada de agua caliente
C. Entrada de agua fría

3. Usando los alicates, verifique cuánto están apretados los acoplamientos de las mangueras que ya están sujetos a la lavadora.
NOTA: No apriete demasiado. Se pueden dañar los acoplamientos.
4. Sujete la manguera de agua caliente al grifo de agua caliente. Atornille el acoplamiento con la mano hasta que se asiente en la arandela.
5. Sujete la manguera de agua fría al grifo de agua fría. Atornille el acoplamiento con la mano hasta que se asiente en la arandela.
6. Apriete los acoplamientos con los alicates, girándolos dos tercios de vuelta adicional.



7. Abra los grifos del agua y revise si hay filtraciones de agua.
NOTA: Reemplace las mangueras de entrada después de cinco años de uso para reducir el riesgo de que fallen. Para consulta en el futuro, anote la fecha de instalación o la fecha de reposición de las mangueras.

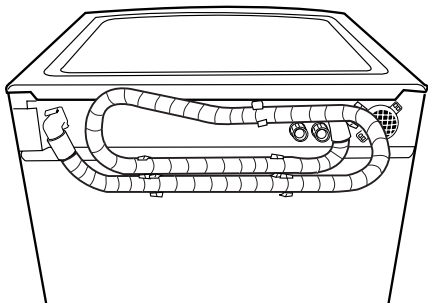
Inspeccione periódicamente y reemplace las mangueras si aparecen bultos, arrugas, cortaduras, desgaste o filtraciones de agua.

Tendido de la manguera de desagüe

El tendido apropiado de la manguera de desagüe protege sus pisos contra daños ocasionados por filtraciones de agua. Lea y siga estas instrucciones.

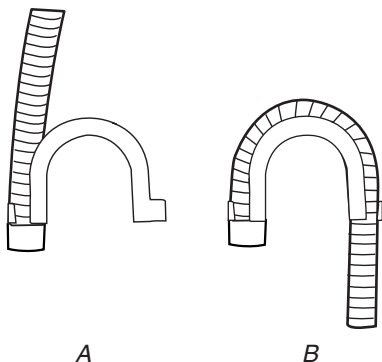
Quite la manguera de desagüe de la carcasa de la lavadora

Jale suavemente de la manguera de desagüe corrugada para sacarla de los sujetadores de embalaje.



Desagüe en la tina de lavadero o desagüe por el tubo vertical

Conecte el molde de la manguera de desagüe a la manguera de desagüe corrugada.



- A. Encaje cualquiera de los extremos del molde a la manguera de desagüe en el lugar donde comienza el corrugado.
B. Doble la manguera de desagüe sobre el molde y trábelo en su lugar.

Para evitar que el agua de desagüe vuelva a su lavadora:

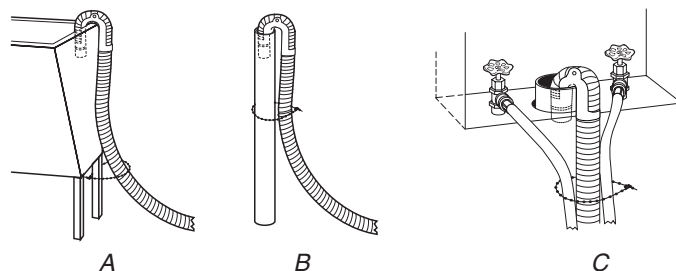
- No enderece la manguera de desagüe ni fuerce el exceso de la manguera de desagüe dentro del tubo vertical. La manguera debe quedar asegurada pero lo suficientemente floja que permita un espacio para el aire.
- No tienda el exceso de la manguera en el fondo del lavadero.

Desagüe por el piso

Quizás necesite piezas adicionales. Vea Desagüe por el piso, en la sección "Herramientas y piezas".

Fijación de la manguera de desagüe

1. Coloque el cable eléctrico encima de la lavadora.
2. Asegure la manguera de desagüe a la pata del lavadero o al tubo vertical utilizando el fleje rebordeado que viene con la lavadora. (Vea las ilustraciones A y B.)



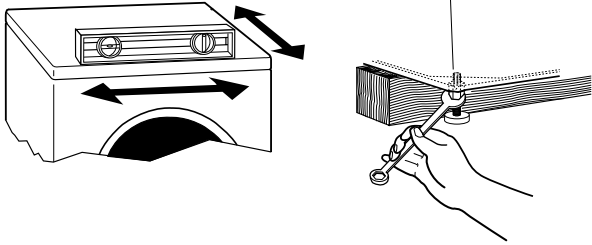
Si los grifos de suministro de la lavadora y el tubo vertical de desagüe están empotrados (vea la ilustración C), ponga el extremo en forma de gancho de la manguera de desagüe en el tubo vertical. Enrolle el fleje rebordeado con firmeza alrededor de las mangueras de entrada del agua y de la manguera de desagüe.

No fuerce el exceso de la manguera de desagüe dentro del tubo vertical.

Nivelación de la lavadora

La nivelación apropiada de su lavadora evita el ruido excesivo y la vibración.

1. Revise si la lavadora está nivelada colocando un nivel en el borde superior de la lavadora, primero de lado a lado, luego de frente hacia atrás.



Si la lavadora está contra la pared, mueva la lavadora ligeramente hacia afuera antes de inclinarla hacia atrás. Si la lavadora no está nivelada, primero apunte la parte frontal con un bloque de madera y regule las patas según sea necesario, después apunte la parte de atrás y regule las patas según sea necesario. Repita este paso hasta que la lavadora quede nivelada.

2. Asegúrese de que las cuatro patas estén estables y descansando sobre el suelo. Después verifique que el aparato esté perfectamente nivelado (use un nivel).
3. Una vez que la lavadora esté nivelada, use una llave de boca de 17 mm para apretar las tuercas de las patas contra la carcasa de la lavadora.

IMPORTANTE: Se deben ajustar las 4 patas. Si no se aprietan las tuercas contra la carcasa de la lavadora, la lavadora podría vibrar.

Cuando empuje los bordes de la placa superior de la lavadora, ésta no se debe mover de adelante hacia atrás, de lado a lado ni en forma diagonal.

4. Deslice la lavadora hasta su ubicación final.
5. Verifique el grado de nivelación de la lavadora.

Complete la instalación

1. Revise los requisitos eléctricos. Asegúrese de contar con la fuente de electricidad correcta y el método recomendado de conexión a tierra. Vea “Requisitos eléctricos”.
2. Cerciérese de que todas las piezas estén instaladas. Si hay alguna pieza extra, vuelva a revisar todos los pasos para ver cuál se omitió.
3. Cerciérese de tener todas las herramientas.
4. Deshágase de todos los materiales de embalaje o recíclelos.
5. Cerciérese de que los grifos del agua estén abiertos.
6. Revise si hay filtraciones de agua alrededor de los grifos y las mangueras de entrada.

⚠ ADVERTENCIA



Peligro de Choque Eléctrico

Conecte a un contacto de pared de conexión a tierra de 3 terminales.

No quite la terminal de conexión a tierra.

No use un adaptador.

No use un cable eléctrico de extensión.

No seguir estas instrucciones puede ocasionar la muerte, incendio o choque eléctrico.

7. Conecte a un contacto de pared de conexión a tierra de 3 terminales.
8. Lea “Uso de la lavadora”.
9. Para probar y limpiar su lavadora, mida $\frac{1}{2}$ de la cantidad de detergente de alto rendimiento (HE) en polvo o líquido recomendada por el fabricante para una carga mediana. Vierta el detergente en el depósito del detergente. Seleccione Lavado expreso (EXPRESS WASH) y luego seleccione Inicio (START). Deje que la lavadora funcione durante un ciclo completo.



Use solamente un detergente de alto rendimiento (HE).

CARACTERÍSTICAS Y BENEFICIOS

Controles electrónicos audiovisuales

Los controles electrónicos flexibles son fáciles de usar tanto sea usted principiante o experto. Las luces verdes indican el ciclo, la opción o el modificador seleccionado. Si un ciclo u opción usa STEAMCARE™, la luz será azul, para indicar que se va a usar vapor durante ese ciclo. Las luces de color ámbar se usan para indicar los ajustes del modificador que están disponibles para el ciclo seleccionado. Si un ajuste específico del modificador no está disponible, la luz no se encenderá. Los diferentes tonos también se usan para hacer más fácil la selección de opciones y modificadores.

Depósito con sistema de ventaja para el detergente

Los depósitos inteligentes (Smart Dispensers) realzan la calidad automática de su lavadora. Esta lavadora proporciona un depósito de tres compartimientos, el cual incluye compartimientos separados para el detergente de alto rendimiento “HE”, para el suavizante de telas y para el blanqueador. El depósito puede sacarse con facilidad para la limpieza. Los productos de lavandería se distribuyen automáticamente en el momento oportuno durante el ciclo de lavado, sin que usted tenga que regresar en el transcurso del ciclo de lavado para agregarlos, asegurándose así que estos productos de limpieza funcionen de un modo óptimo.

Tratamiento con vapor (STEAM TREAT™)

Esta lavadora tiene una unidad de evaporación incorporada que está combinada con la opción Tratamiento con vapor (STEAM TREAT™) para proporcionarle temperaturas múltiples, y ayudar a quitar una variedad de manchas de las prendas.

Ciclo de limpiar la lavadora con cuidado de vapor STEAMCARE™

Este ciclo usa vapor para elevar la temperatura de la unidad, haciendo que la lavadora se limpie automáticamente, enjuagando el interior de la máquina de suciedad y otros residuos. El uso de blanqueador líquido con cloro en este ciclo, quitará los residuos y evitará los olores.

Nivel automático del agua

Al ajustarse al tamaño de la carga, esta característica permite a la lavadora usar la cantidad mínima de agua que necesita para lavar y enjuagar la ropa. Con un bajo nivel de agua, usted podrá obtener los mismos resultados con cantidades más pequeñas de productos de lavandería. Al usarse solamente la cantidad de agua requerida, la lavadora también ahorra energía.

Cargas más voluminosas

Debido a que no tiene agitador, usted puede lavar artículos más voluminosos y más grandes como una bolsa de dormir de tamaño común, una almohada o un cubrecamas de tamaño king. También puede lavar más ropa a la vez, lo que significa menor cantidad de lavados.

Sistema de suspensión

Para reducir los problemas de la “caminata” y el “desequilibrio” de la lavadora, su nueva lavadora cuenta con:

- 2 resortes para aislar la vibración
- 4 amortiguadores en la base de la lavadora para minimizar el movimiento.

Tambor de acero inoxidable

El tambor de acero inoxidable elimina la corrosión y permite velocidades más altas de exprimido, logrando mayor extracción del agua, que a su vez ayuda a reducir el tiempo de secado.

Sistema de lavado de alto rendimiento

Su nueva lavadora de carga frontal y alta eficacia ahorra tiempo con menos y más grandes cargas. También conserva los recursos y reduce sus cuentas de los servicios de agua y electricidad.

Velocidades de exprimido

Esta lavadora selecciona automáticamente una velocidad de exprimido según el ciclo seleccionado. Sin embargo, se puede modificar este ajuste de fábrica con hasta 5 opciones de velocidad de exprimido.

Optimizador térmico con Tecnología de lavado inteligente

El sistema de calentamiento asegura que el agua de lavado se caliente a la temperatura prefijada para los ciclos Normal/ Informal (Normal/Casual), Intenso (Heavy Duty), Blancos blanquísimos (Whitest Whites) y la opción de tratamiento con vapor (STEAM TREAT™). También proporciona la tecnología de lavado inteligente con una “limpieza por pasos”, cuando usted está usando la opción de tratamiento con vapor (STEAM TREAT™). La “limpieza por pasos” inicia el ciclo de lavado con agua tibia para quitar las manchas.

Agregado de prendas

Esta opción está disponible en todos los ciclos de lavado, excepto en los de Enjuague/Exprimido (Rinse/Spin), Desagüe/Exprimido (Drain/Spin) y limpiar la lavadora (Clean Washer). Cuando esta opción esté disponible al comienzo del ciclo, la luz de estado de agregar prendas (Add Clothes) se iluminará durante los primeros 4-8 minutos. Esta lavadora permite que durante un período de 4-8 minutos se puedan agregar más prendas a una carga.

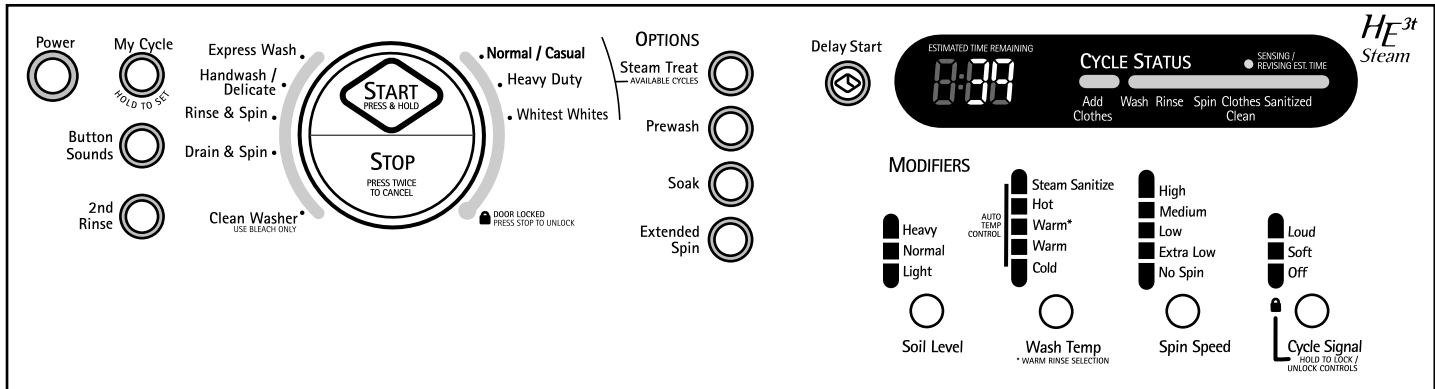
Acción de limpieza catalizadora CATALYST®

Una solución concentrada de detergente rocía las prendas en el comienzo del ciclo para asegurarse de que el detergente entra en contacto con las mismas tan rápido como sea posible, lo que ayuda a quitar las manchas de las prendas sin un tratamiento previo.

Equilibrio dinámico

Un sistema preciso de equilibrio que permite a la lavadora alcanzar velocidades de exprimido de hasta 1.050 rpm. La lavadora exprime más rápidamente, de manera que las prendas que salen de la misma se sequen más rápido. Además, si el Sistema de equilibrio dinámico detecta las cargas desequilibradas durante el exprimido, éste redistribuye las prendas para que queden uniformemente equilibradas.

USO DE LA LAVADORA



Puesta en marcha de la lavadora

⚠ ADVERTENCIA



Peligro de Incendio

Nunca coloque en la lavadora artículos que estén humedecidos con gasolina o cualquier otro líquido inflamable.

Ninguna lavadora puede eliminar completamente el aceite.

No seque ningún artículo que haya tenido alguna vez cualquier tipo de aceite (incluyendo aceites de cocina).

No seguir estas instrucciones puede ocasionar la muerte, explosión o incendio.

ADVERTENCIA: A fin de reducir el riesgo de incendio, de choque eléctrico o de daños personales, lea las INSTRUCCIONES IMPORTANTES DE SEGURIDAD antes de operar este aparato.

La siguiente es una guía para el empleo de su lavadora. Consulte las secciones específicas de este manual para obtener información detallada.

No almacene productos de lavandería encima de esta lavadora. La vibración es normal durante el funcionamiento.

Uso del detergente adecuado

Use solamente detergentes de alto rendimiento. El paquete para este tipo de detergente incluye la indicación "HE" o "Alto Rendimiento". Este sistema de lavado, junto con menos agua, creará demasiada espuma con un detergente común que no sea de alto rendimiento (HE). El uso de un detergente común probablemente derive en errores de la lavadora, tiempos de lavado más prolongados y menor rendimiento de enjuague. También puede ocasionar fallas en los componentes y moho evidente. Los detergentes de alto rendimiento HE están hechos para producir la cantidad adecuada de espuma para el mejor rendimiento. Siga las instrucciones del fabricante para determinar la cantidad de detergente que debe usar.



Use solamente un detergente de alto rendimiento (HE).

Primer ciclo de lavado sin ropa

Antes de lavar la ropa por primera vez, elija el ciclo Lavado expreso (Express Wash) y póngalo a funcionar sin ropa, si esto no se ha completado durante el paso final de la instalación. Use solamente un detergente de alto rendimiento (HE). Use ½ de la cantidad recomendada por el fabricante para una carga de tamaño mediano. Este ciclo inicial sirve para asegurar la limpieza del interior de la lavadora antes de lavar la ropa.

Para todos los ciclos de lavado

1. Abra la puerta de la lavadora jalando la manija. Separe la ropa por color y tipo de tela. Coloque una carga de ropa separada en la lavadora. No sobrecargue la lavadora. El sobrecargar la lavadora puede causar una limpieza insatisfactoria.
 - La lavadora puede llenarse por completo, pero sin apretujar la ropa. La puerta de la lavadora debe cerrarse con facilidad.
 - Mezcle artículos grandes con artículos pequeños. Evite lavar un solo artículo. Coloque la carga uniformemente.
 - Lave los artículos pequeños, tales como calcetines de niños, en bolsas de malla para prendas. Se recomienda usar más de una bolsa para prendas y que cada una de ellas se llene con la misma cantidad de material.
 - Al sacar las prendas de la lavadora, revise si no han quedado pequeños artículos debajo del sello de color gris que está al frente de la tina.
2. Cierre la puerta de la lavadora empujándola con firmeza hasta que escuche el chasquido de la traba. La puerta de la lavadora permanecerá con seguro durante el ciclo de lavado.

NOTAS:

- Al cabo de cualquier ciclo de lavado, se debe abrir la puerta y luego cerrarla para que pueda iniciarse un nuevo ciclo.
 - La puerta puede abrirse solamente si se ha seleccionado Parada (STOP) mientras la luz de Agregado de prendas (ADD CLOTHES) esté encendida o si se ha anulado el ciclo.
 - Vea “Para anular un ciclo” en la sección “Cambio de ciclos, opciones y modificadores”.
3. Abra la gaveta de depósito y agregue los productos de lavandería en los compartimientos de detergente, blanqueador, o suavizante de telas. Cierre la gaveta lentamente para evitar derrames. Vea “Uso del depósito”.
 4. Encienda la lavadora seleccionando Encendido (POWER). Seleccione uno de los ciclos girando el selector de ciclos. La luz indicadora del ciclo seleccionado se iluminará. Cuando usted vaya a seleccionar un ciclo de lavado, se encenderán los modificadores prefijados para el ciclo (Nivel de suciedad - Soil Level, Temperatura del agua - Wash Temp y Velocidad de exprimido - Spin Speed). Los ajustes de modificadores que se puedan seleccionar se pondrán de color ámbar. Si una opción o modificador no está disponible con el ciclo seleccionado, la luz no se iluminará. Los ajustes prefijados proporcionan el cuidado recomendado de las telas en el ciclo seleccionado. La pantalla muestra el tiempo aproximado restante. Vea “Ciclos”.
 5. Seleccione las opciones (OPTIONS) deseadas. No todas las opciones están disponibles con todos los ciclos. Vea “Opciones”.
 6. Seleccione los modificadores (MODIFIERS) deseados. No todos los modificadores están disponibles con todos los ciclos y opciones. Vea “Modificadores”.
 7. Si lo desea, seleccione la señal de ciclo (CYCLE SIGNAL). Esta señal es útil cuando tiene que lavar artículos que deben quitarse de la lavadora tan pronto ésta se detenga. Seleccione alto (LOUD), bajo (SOFT) o apagado (OFF).

8. Para comenzar el ciclo de lavado de inmediato

Seleccione y sostenga START (durante 1 segundo aproximadamente).

- Si no selecciona puesta en marcha (START) dentro de 5 minutos de haber elegido el ciclo, la lavadora se apaga automáticamente.
- Al cabo del ciclo de lavado, la luz de estado de Ropa limpia (CLOTHES CLEAN) se ilumina, la puerta se destraba y se puede descargar la lavadora. La lavadora se apaga automáticamente 60 minutos después de que el ciclo se complete y se apague la luz de Ropa limpia (CLOTHES CLEAN).

9. Para que el ciclo de lavado comience más tarde

Seleccione Inicio diferido (DELAY START) hasta que se vea el tiempo de retraso deseado (en horas) en la pantalla de tiempo estimado restante (Estimated Time Remaining). Seleccione Puesta en marcha (START). La cuenta regresiva para el ciclo de lavado aparecerá en la pantalla, y la luz indicadora destellará hasta que el ciclo comience.

IMPORTANTE: Al diferir un ciclo, use sólo detergentes en polvo en el compartimiento para el lavado principal, ya que los detergentes líquidos se pueden filtrar fuera del compartimiento durante el ciclo Inicio diferido (DELAY START) antes de que comience el ciclo.

Uso del depósito

Su nueva lavadora tiene una gaveta de depósito con tres compartimientos separados para sus productos de lavandería - uno es para el detergente de alto rendimiento, otro es para el blanqueador líquido con cloro y el otro es para el suavizante líquido de telas. Los productos de lavandería se diluyen y se distribuyen automáticamente en el momento oportuno durante el ciclo de lavado, sin que usted tenga que regresar en el transcurso del ciclo de lavado para agregarlos.

Es normal que quede un poco de agua en los depósitos al término del ciclo de lavado.

No ponga productos de lavandería directamente en la tina de lavado. Siempre use los depósitos apropiados al agregar productos de lavandería.

Selección del detergente adecuado

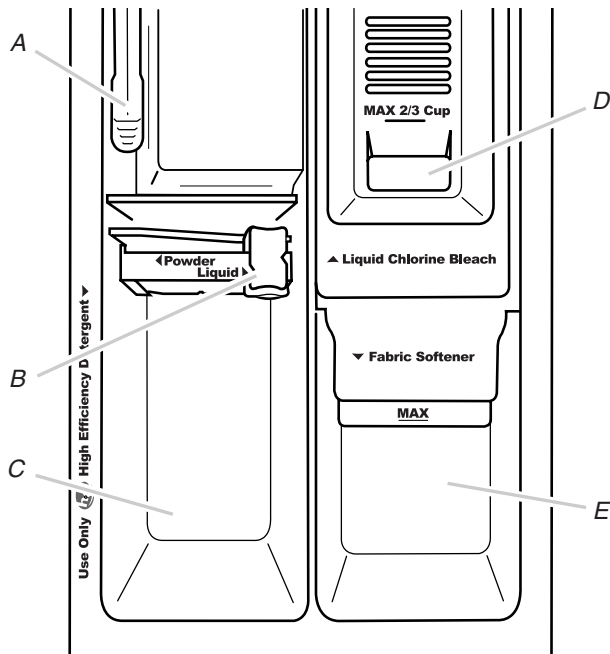
Use solamente detergentes de alto rendimiento. El paquete para este tipo de detergente incluye la indicación “HE” o “Alto rendimiento”. Este sistema de lavado, junto con menos agua, creará demasiada espuma con un detergente común que no sea de alto rendimiento (HE). El uso de un detergente común probablemente derive en errores de la lavadora, tiempos de lavado más prolongados y menor rendimiento de enjuague. También puede ocasionar fallas en los componentes y moho evidente. Los detergentes de alto rendimiento HE están hechos para producir la cantidad adecuada de espuma para el mejor rendimiento. Siga las instrucciones del fabricante para determinar la cantidad de detergente que debe usar.



Use solamente un detergente de alto rendimiento (HE).

Para llenar los compartimientos del depósito

1. Jale hacia afuera la gaveta del depósito.
2. Agregue el producto de lavandería deseado en el compartimiento apropiado.
3. Empuje la gaveta del depósito despacio y completamente hacia adentro (para evitar derrames).



Depósito

- A. Palanca de liberación del depósito
- B. Selector de tipo de detergente
- C. Compartimiento del detergente de alto rendimiento "HE"
- D. Compartimiento del blanqueador con cloro
- E. Compartimiento del suavizante de telas

Compartimiento del detergente de alto rendimiento "HE"

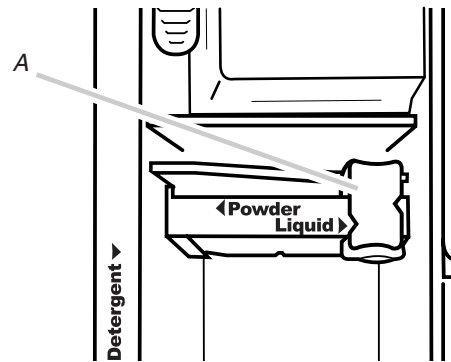
(Letras B y C en la ilustración del depósito)

Agregue detergente líquido o en polvo de alto rendimiento (HE) en este compartimiento para su ciclo de lavado. El selector de tipo de detergente (B) deberá estar siempre en la posición correcta para el tipo de detergente que se use. Deslice el selector de tipo de detergente a la posición correcta.

IMPORTANTE: Si está utilizando la opción de Retraso del inicio (Delay Start), se debe usar detergente en polvo en el compartimiento del lavado principal, ya que los detergentes líquidos pueden filtrarse fuera del compartimiento antes de que comience el lavado.

- Use la cantidad de detergente recomendada por el fabricante para el tamaño de la carga.

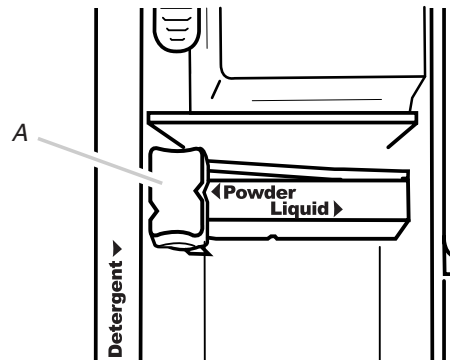
- Detergente líquido:



Selector en la posición para el detergente líquido

A. Selector de tipo de detergente

- Detergente en polvo:



Selector en la posición para el detergente en polvo

A. Selector de tipo de detergente

Compartimiento del blanqueador con cloro

(Letra D en la ilustración del depósito)

Agregue no más de $\frac{2}{3}$ taza (160 mL) de blanqueador líquido con cloro en este compartimiento. El blanqueador se diluirá y distribuirá automáticamente en el mejor momento durante el primer enjuague después del ciclo de lavado. Este compartimiento no puede diluir blanqueador en polvo.

- Siempre mida el blanqueador líquido con cloro. Use una taza medidora con pico vertedor; no lo haga al cálculo. Siga las instrucciones del fabricante para lograr un uso adecuado.
- No llene encima del nivel máximo "MAX".

NOTA: El sobrellenado puede ocasionar daños en las prendas.

Compartimiento del suavizante de telas

(Letra E en la ilustración del depósito)

Si lo desea, vierta el suavizante de telas líquido en el depósito del suavizante de telas.

- No llene en exceso. El depósito tiene capacidad para $\frac{1}{4}$ taza (60 mL) de suavizante de telas.
- El suavizante de telas se distribuye en el ciclo de enjuague. Si se selecciona el segundo enjuague (2nd Rinse), el suavizante de telas será distribuido durante el segundo enjuague.
- No use bolas que distribuyen suavizante de telas en esta lavadora. Las bolas que distribuyen suavizante de telas no funcionan correctamente en esta lavadora.
- No derrame ni gotee el suavizante de telas sobre las prendas.
- Al final del ciclo, puede quedar una pequeña cantidad de agua en el depósito. Esto es normal.

NOTA: Use solamente suavizante de telas líquido en este depósito.

Pausa o reanudación de la marcha

1. Para detener la lavadora en cualquier momento, seleccione parada (STOP).
 2. Para reanudar el ciclo, seleccione y sostenga Inicio (START) (durante 1 segundo aproximadamente).
-

Cambio de ciclos, opciones y modificadores

No todas la Opciones y Modificadores están disponibles con todos los ciclos. Las selecciones de modificadores que estén disponibles se encenderán. Las opciones que puedan seleccionarse se pondrán de color ámbar. Si una opción o modificador no está disponible con el ciclo seleccionado, la luz no se encenderá. Una vez que se selecciona una opción o modificador, se encenderá de verde. Las opciones o modificadores seleccionados se encenderán de verde.

Los Ciclos, Opciones y Modificadores se pueden cambiar en cualquier momento antes de seleccionar Inicio (START).

Para anular un ciclo y seleccionar uno nuevo

1. Seleccione Parada (STOP) dos veces.
 2. Seleccione Encendido (POWER).
 3. Seleccione el ciclo deseado.
 4. Seleccione las opciones (OPTIONS) y modificadores (MODIFIERS) deseados. No todas las opciones o modificadores están disponibles en todos los ciclos. Vea "Guía de lavado".
 5. Seleccione y sostenga Inicio (START) (durante 1 segundo aproximadamente) para reanudar la marcha de la lavadora al inicio de un nuevo ciclo.
-

Para anular un ciclo

1. Presione Parada (STOP) dos veces.
2. La lavadora se apaga, la puerta se destraba y se puede sacar la ropa.

NOTA: Si el nivel del agua o la temperatura están demasiado altos, la lavadora se desaguará automáticamente antes de que la puerta se destrabe.

Para cambiar Opciones o Modificadores después de que haya comenzado el ciclo

1. Presione Parada (STOP) una vez.
 2. Seleccione las opciones (OPTIONS) y modificadores (MODIFIERS) deseados. No todas las opciones o modificadores están disponibles en todos los ciclos. Vea "Guía de lavado".
 3. Seleccione y sostenga Inicio (START) (durante 1 segundo aproximadamente) para continuar el ciclo.
-

Para escurrir la lavadora manualmente

1. Seleccione Parada (STOP) dos veces para cancelar el ciclo de lavado.
 2. Seleccione Encendido (POWER).
 3. Seleccione Desagüe y exprimido (DRAIN & SPIN).
 4. Seleccione y sostenga Inicio (START) (durante 1 segundo aproximadamente) para comenzar el escurrido.
 5. Al cabo del exprimido, la puerta se destraba. Se puede descargar la lavadora.
-

Luces de estado

Estas luces muestran en qué parte del ciclo está funcionando la lavadora. También indican cuándo puede agregar un artículo en el ciclo de lavado y cuándo los controles están bloqueados.



Cómo agregar prendas después de que el ciclo de lavado ha comenzado

Esta lavadora permite que durante un período de 4-8 minutos se puedan agregar otras prendas a la carga y todavía se puedan limpiar adecuadamente. Puede agregar artículos a la lavadora si la luz de estado de agregado de prendas (ADD CLOTHES) está encendida.

Para agregar artículos cuando esté encendida la luz de agregado de prendas (ADD CLOTHES)

1. Presione Parada (STOP) una vez. La lavadora hará una pausa por un momento, la puerta se destraba y pueden agregarse artículos.
2. Para continuar el ciclo, cierre la puerta y seleccione y sostenga START (durante 1 segundo aproximadamente).

Para agregar artículos cuando no esté encendida la luz de agregado de prendas (ADD CLOTHES)

1. Deberá anular el ciclo actual presionando dos veces Parada (STOP). Esto anulará el ciclo y las opciones de lavado. La puerta de la lavadora se destraba y se pueden añadir artículos.
2. Cierre la puerta y seleccione el nuevo ciclo y opciones. Seleccione y sostenga START (durante 1 segundo aproximadamente).

NOTAS:

- Cuando seleccione un ciclo nuevo no agregue detergente adicional.
 - Si se agrega un artículo después de que se apaga la luz de Agregado de prendas (Add Clothes), es posible que ese artículo no quede bien lavado.
-

Ropa limpia (Clothes Clean)

Al cabo del ciclo de lavado, la luz de estado de Ropa limpia (CLOTHES CLEAN) se ilumina, la puerta se destraba y se puede descargar la lavadora. La lavadora se apaga automáticamente 60 minutos después que el ciclo se complete y se apague la luz de ropa limpia (CLOTHES CLEAN).

Higienizado (Sanitized)

Esta lavadora Kenmore tiene una temperatura para el higienizado (Sanitize) que está certificada por NSF International, una organización independiente de prueba y certificación a cargo de terceros. La certificación verifica que el ciclo de higienizado reduzca el 99,9 % de las bacterias que se encuentran típicamente en la ropa, prendas de cama y toallas, y de que no haya transferencia de bacterias entre las cargas después de que se termina el ciclo.

Si fue seleccionada la temperatura de lavado para Higienizado con vapor (Steam Sanitize), cuando el ciclo de lavado se haya terminado, se encenderá la luz de estado de Higienizado (SANITIZED) (la luz de estado de Ropa limpia - CLOTHES CLEAN - se encenderá de verde), la puerta se destraba y puede sacarse la carga de lavado de la lavadora. La lavadora se apaga automáticamente 60 minutos después de que el ciclo se complete y se apaguen las luces de higienizado (SANITIZED) y ropa limpia (CLOTHES CLEAN).



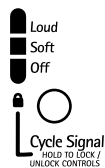
Certificado para esterilizar

Cómo bloquear los controles

El bloqueo de control (Control Lock) evita el uso accidental de la lavadora. También puede usar la función de bloqueo de controles para evitar cambios accidentales del ciclo o de opciones durante un ciclo. Cuando Bloqueo de controles (CONTROL LOCKED) está encendido, ningún botón podrá usarse con excepción de parada (STOP) y puesta en marcha (START). Usted puede bloquear los controles después de que comience el ciclo o antes de presionar Encendido (POWER).

Para bloquear los controles

Seleccione y sostenga la Señal de ciclo (CYCLE SIGNAL) durante 3 segundos después de que comience el ciclo o cuando se apague la lavadora.



Se encenderá la luz de estado próxima al botón de CYCLE SIGNAL.

Para desbloquear los controles

Seleccione y sostenga CYCLE SIGNAL durante 3 segundos hasta que se apague la luz de estado.

NOTA: Para bloquear o desbloquear los controles cuando la lavadora esté apagada, presione y sostenga CYCLE SIGNAL durante 3 segundos.

Bloqueo de la puerta (Door Locked)

Cuando la luz de estado se enciende, la puerta está bloqueada.

Detección/revisión del tiempo estimado (Sensing/Revising Est. Time)

Los tiempos del ciclo varían automáticamente según la presión de agua, temperatura del agua, detergente y carga de ropa.

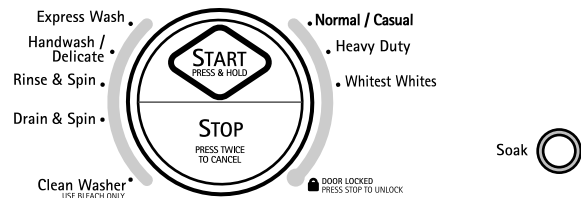
La lavadora detectará automáticamente el progreso del ciclo y ajustará la pantalla de Tiempo estimado restante (Estimated Time Remaining). Durante la detección, el tiempo estimado destellará y la luz de estado de Detección/revisión del tiempo estimado (Sensing/Revising Est. Time) se encenderá. Una vez que la detección finaliza, el destello se detiene, la luz de estado se apaga y la pantalla de Tiempo estimado restante se actualiza.

El tiempo del ciclo se alargará si hay demasiada espuma o si la carga no está balanceada. La rutina de espuma quita la espuma excedente y asegura el enjuague apropiado de sus prendas. Vea "Solución de problemas". Durante la rutina de desequilibrio, el tiempo en la pantalla puede hacer una pausa hasta que se complete esta actividad; luego reanudará el resto del ciclo.

Ciclos

Ciclos de lavado

Elija los ciclos de lavado girando la perilla del selector. La luz indicadora del ciclo se encenderá cuando éste se seleccione. Cada ciclo fue diseñado para distintos tipos de tela y niveles de suciedad. Las luces indicadoras de modificadores, que están en el lado derecho del panel, cambiarán a medida que se seleccionen los ciclos.



- Cada ciclo tiene los siguientes ajustes prefijados: Nivel de suciedad (Soil Level) (tiempo estimado del ciclo), Temperatura del agua (Water Temperature), Velocidad de exprimido (Spin Speed) y puede tener opciones programadas. Los ajustes prefijados proporcionan el cuidado recomendado de las telas en el ciclo seleccionado.
- Los ajustes prefijados se iluminarán de verde para mostrar las opciones y modificadores seleccionados previamente y se pueden cambiar antes de que se presione Inicio (START). No todas las Opciones y Modificadores están disponibles con todos los ciclos. Las selecciones de modificadores que estén disponibles se pondrán de color ámbar. (Para cambiar los ajustes después de que haya comenzado el ciclo, seleccione Parada (STOP) una vez, luego seleccione los ajustes deseados. Seleccione y sostenga START [durante un segundo aproximadamente] para continuar el ciclo.)

Ajustes prefijados de ciclos

Cada ciclo tiene los siguientes ajustes prefijados: Tiempo del ciclo (Cycle Time), Temperatura del agua (Water Temp), y Velocidad de exprimido (Spin Speed). Los ajustes prefijados proporcionan el cuidado recomendado de las telas en el ciclo seleccionado. Vea el cuadro.

Ciclo	Nivel de suciedad (hr:min)	Temperatura del agua (Water Temp) (Lavado/Enjuague [Wash/Rinse])	Velocidad de exprimido (Spin Speed)
Lavado expreso (Express Wash) (2 a 3 artículos)	Ligero (Light) (0:30)	Tibia/Fr�a (Warm/Cold)	Alta (High)
Lavado a mano/Ropa delicada (Handwash/Delicate)	Normal (0:35)	Fr�a/Fr�a (Cold/Cold)	Baja (Low)
Enjuague y exprimido (Rinse & Spin)	N/A (0:22)	Fr�a/Fr�a (Cold/Cold)	Alta (High)
Desag�e y exprimido (Drain & Spin)	N/A (0:13)	N/A	Alta (High)
Limpiar la lavadora (Clean Washer)	N/A (1:05)	N/A	N/A
Blancos blanqu�simos (Whitest Whites)	Intenso (Heavy) (1:30)	Caliente/Fr�a (Hot/Cold)	Alta (High)
Intenso (Heavy Duty)	Intenso (Heavy) (1:20)	Caliente/Fr�a (Hot/Cold)	Alta (High)
Normal/Informal (Normal/Casual)	Normal (0:50)	Tibia/Fr�a (Warm/Cold)	Alta (High)
Remojo (Soak)	Normal (0:30)	Tibia (Warm)	No exprimido

Para cambiar los ajustes programados

Oprima el selector de cada ajuste que est  disponible hasta que el ajuste deseado se encienda verde.

Lavado expreso (Express Wash)

Use este ciclo para lavar cargas peque as de 2 a 3 prendas con suciedad ligera que necesite de prisa. Este ciclo combina una agitaci n veloz, un tiempo de lavado corto y un exprimido a velocidad alta para acortar el tiempo de secado. El lavar cargas grandes dar  como resultado que la m quina aumente el tiempo de lavado.

Lavado a mano/Ropa delicada (Handwash/Delicate)

Use este ciclo para lavar art culos lavables a mano y prendas ultra delicadas. (Verifique las instrucciones de la etiqueta para asegurarse de que la prenda es lavable.) Este ciclo rota suavemente y exprime a baja velocidad para un lavado delicado de las prendas y para reducir al m nimo la formaci n de arrugas.

- Use bolsas de malla para prendas al lavar ropa interior tales como sostenes con alambre, art culos con cordeles y art culos peque os como calcetines de ni os.
- Los detergentes en polvo quiz s no se disuelvan bien en los ciclos de velocidad baja. Para obtener  ptimos resultados, use detergente l quido para los ciclos con velocidad lenta.

Enjuague y exprimido (Rinse & Spin)

Use este ciclo para enjuagar, desaguar y exprimir su carga de ropa. Este ciclo combina una agitaci n veloz y un exprimido a velocidad alta. Si lo desea, puede reducir la velocidad de exprimido seleccionando la velocidad que desee del modificador SPIN SPEED (Velocidad de exprimido).

El ciclo de Enjuague y exprimido (Rinse & Spin) es  til para

- Cargas que necesitan  nicamente enjuague.
- Agregar suavizante de telas a una carga utilizando el dep sito del suavizante de telas.

Desag e y exprimido (Drain & Spin)

Use este ciclo para vaciar el agua de la lavadora o para escurrir y exprimir la ropa. La velocidad de exprimido ha sido prefijada en alta. Si lo desea, puede reducir la velocidad de exprimido seleccionando la velocidad que desee del modificador SPIN SPEED (Velocidad de exprimido).

NOTA: Las cargas de fibras sint ticas, fibras delicadas, de lavado a mano y de lana se deben escurrir sin exprimir o con un exprimido bajo para evitar deformaciones de las telas.

Limpiar la lavadora (Clean Washer)

Use el ciclo de limpiar la lavadora (Clean Washer) una vez por mes para mantener el interior de su lavadora fresco y limpio. Este ciclo utiliza un nivel m s alto de agua junto con blanqueador l quido con cloro y vapor, para limpiar meticulosamente el interior de su lavadora. Este ciclo no debe interrumpirse. Vea "C mo limpiar su lavadora" en la secci n "Cuidado de la lavadora".

IMPORTANTE: No coloque prendas ni otros art culos en la lavadora durante el ciclo de limpieza de la lavadora. Use este ciclo con el tambor de lavado vac o.

Blancos blanqu simos (Whitest Whites)

Este ciclo ha sido dise ado especialmente para el lavado de telas blancas sucias con la ayuda del blanqueador. Las temperaturas calientes de lavado aseguran la  ptima acci n del blanqueador. El enjuague adicional proporciona un rendimiento  ptimo de enjuague para evitar residuos de cloro en su ropa. Este ciclo combina una agitaci n veloz, un tiempo de lavado m s prolongado y un exprimido a velocidad alta para acortar el tiempo de secado.

Intenso (Heavy Duty)

Use este ciclo para lavar telas resistentes que no destiñen y prendas con suciedad intensa. Este ciclo combina una agitación veloz, un tiempo de lavado más prolongado y un exprimido a velocidad alta para acortar el tiempo de secado. Si la temperatura del agua está más baja que la necesaria para este ciclo, el calentador calentará el agua hasta la temperatura óptima.

Normal/Informal (Normal/Casual)

Use este ciclo para lavar telas inarrugables como camisas deportivas, blusas, ropa de negocios informal, fibras mixtas de planchado permanente, fibras de algodón y de lino y fibras sintéticas. Este ciclo combina una agitación a velocidad media, exprimido a alta velocidad y un proceso de enfriamiento de la ropa para reducir la formación de arrugas.

NOTA: Para un mejor rendimiento de energía, use el ciclo Normal/Informal (Normal/Casual).

Remojo (Soak)

Use el ciclo de Remojo para quitar manchas pequeñas de las telas. Este ciclo proporciona un tiempo de remojo de 30 minutos con agua tibia o fría seguido por el desagüe. Agua extra, una fase corta de rotación para la distribución equitativa de la ropa, y un tiempo de remojo sin movimiento del tambor mejoran la remoción de manchas. El desagüe sin exprimido asegura un tratamiento suave hasta para los artículos delicados.

Al usar el ciclo de remojo: El ciclo de remojo proporciona un tiempo de remojo con agua tibia o fría seguido por el escurrido.

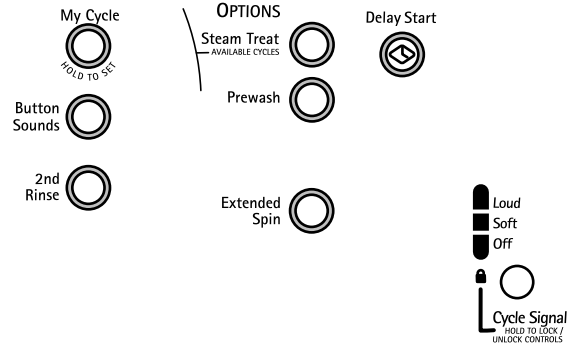
1. Agregue detergente solamente al compartimiento de detergente de alto rendimiento "HE" de la gaveta del depósito.
2. Presione el botón de Remojo (SOAK).
3. Elija la temperatura de remojo deseada.
4. Seleccione y sostenga Inicio (START) (durante 1 segundo aproximadamente).

Sonidos normales de la lavadora

Como ocurre con cualquier producto nuevo, usted escuchará sonidos a los cuales no está acostumbrado. Podrá oír varios sonidos al trabar o destrabar la puerta, y durante el proceso de lavado, enjuague o exprimido. Durante los intervalos entre las etapas de lavado, habrá pausas momentáneas. Usted escuchará el rociado y chapoteo del agua durante los ciclos de lavado y enjuague. Estos nuevos sonidos y pausas son parte del funcionamiento normal de la lavadora. (Vea "Solución de problemas.")

Opciones

Usted puede personalizar su lavado al agregar opciones a sus selecciones de ciclo. Puede agregar o cambiar una opción después del inicio del ciclo en cualquier momento antes de que comience la opción seleccionada. No todas las opciones están disponibles con todos los ciclos. Las selecciones actuales se pondrán verdes. Si una opción no está disponible cuando se selecciona un ciclo, la luz no se encenderá.



- Vea la sección "Guía para el lavado" para obtener un cuadro global de las opciones posibles en cada selección de ciclo de lavado.
- Usted puede seleccionar más de una opción por ciclo. Algunas opciones no se pueden añadir a ciertos ciclos. Por ejemplo, STEAM TREAT™ no puede añadirse al ciclo de Lavado expreso (Express Wash).
- Si una determinada opción no está disponible en el ciclo seleccionado, se escucharán 3 tonos cortos y la luz para esa opción no se iluminará al ser seleccionada.

Mi ciclo (My Cycle)

Mi ciclo (My Cycle) le permite guardar un ciclo de lavado personalizado para un uso futuro.

Para personalizar un ciclo de lavado:

1. Seleccione un ciclo.
2. Seleccione las opciones (OPTIONS) deseadas.
3. Seleccione los modificadores (MODIFIERS) deseados.
4. Para guardar el ciclo presione y sostenga Mi ciclo (MY CYCLE) (durante 3 segundos aproximadamente) hasta que escuche un bip.
5. Presione Inicio (START).
6. Para volver a usar este ciclo en otro momento, seleccione MY CYCLE y presione START.

Sonidos de los botones (Button Sounds)

Los sonidos de los botones se usan para avisarle lo que se ha seleccionado o para hacerle saber cuando alguna función no está disponible. Los sonidos de los botones pueden apagarse o encenderse al seleccionar BUTTON SOUNDS.

Segundo enjuague (2nd Rinse)

Se puede utilizar un segundo enjuague para ayudar en la eliminación de residuos del detergente o del blanqueador que haya quedado en las prendas. Esta opción proporciona un enjuague adicional con la misma temperatura del agua del enjuague normal. Este es un ajuste de enjuague prefijado para el ciclo de Blancos blanquísimos. Cuando se seleccione Segundo enjuague (2nd Rinse), la luz indicadora se encenderá de verde.

Tratamiento con vapor (STEAM TREAT™)

Use esta opción para las cargas con suciedad intensa que necesiten un tratamiento mejorado de las manchas, cargas con diferentes tipos de manchas o cargas que a usted le parezca que tienen manchas, pero teme que se le hayan pasado (no las separó o no se fijó si tenían manchas). Al seleccionar Tratamiento con vapor (STEAM TREAT™), la temperatura del agua del ciclo de lavado seleccionado se fija automáticamente en tibia. El agua se calentará lentamente hasta llegar a la temperatura seleccionada, junto con el vapor, para ayudar a quitar las manchas. Esta opción proporciona una remoción óptima de las manchas orgánicas, tales como sangre. Esta opción está disponible en los ciclos siguientes: Normal/Informal (Normal/Casual), Intenso (Heavy Duty) y Blancos blanquísimos (Whitest Whites).

Prelavado (Prewash)

Use esta opción para cargas de artículos con suciedad profunda que necesitan tratamiento previo. Esta opción añade al ciclo de lavado principal un periodo de 20 minutos de prelavado sin desagüe.

Agregue detergente en el compartimiento de detergente de alto rendimiento "HE" de la gaveta del depósito.

NOTA: La opción de Prelavado (Prewash) no puede seleccionarse con los ciclos de Remojo (Soak), Expreso (Express), Lavado a mano/Ropa delicada (Handwash/Delicate) y Enjuague/Exprimido (Rinse/Spin).

Exprimido prolongado (Extended Spin)

Use esta opción para agregar un exprimido adicional a cualquier ciclo a fin de mejorar los tiempos de secado para algunos tejidos pesados o artículos de cuidado especial, al reducir el exceso de agua, lo cual puede ahorrar energía.

Inicio diferido (Delay Start)

Para que el ciclo de lavado comience más tarde, seleccione Inicio diferido (DELAY START) hasta que se vea el tiempo de retraso deseado (en horas) en la pantalla de tiempo estimado restante (Estimated Time Remaining), y después seleccione Inicio (START). La cuenta regresiva para el ciclo de lavado aparecerá en la pantalla, y la luz indicadora destellará hasta que el ciclo comience.

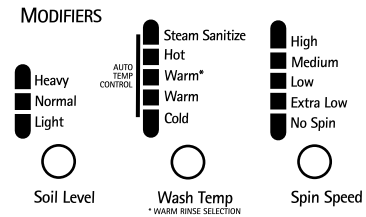
IMPORTANTE: Al diferir un ciclo, use sólo detergentes en polvo en el compartimiento para el lavado principal, ya que los detergentes líquidos se pueden filtrar fuera del compartimiento durante el ciclo Diferido antes de que comience el ciclo.

Señal de ciclo (Cycle Signal)

Esta señal es útil cuando tiene que quitar artículos de la lavadora tan pronto como ésta se detenga. Seleccione alto (Loud), bajo (Soft) o apagado (Off).

Modificadores

Los ajustes prefijados de los ciclos de temperatura del agua (Water Temperature), velocidad de exprimido (Spin Speed) y opciones de enjuague (Rinse Options) pueden modificarse. Usted puede cambiar el modificador después del inicio del ciclo en cualquier momento antes de que comience el modificador seleccionado. No todos los modificadores están disponibles con todos los ciclos y opciones. Los ajustes de modificadores que estén disponibles se pondrán de color ámbar. Las selecciones actuales se pondrán verdes. Si una opción no está disponible cuando se selecciona un ciclo, la luz no se encenderá.



- Para cambiar el tiempo del ciclo, seleccione el botón de Nivel de suciedad (SOIL LEVEL).
- Para cambiar la temperatura del agua, seleccione el botón de temperatura de lavado (WASH TEMP) hasta que el ajuste deseado se ilumine de verde.
- Para cambiar la velocidad de exprimido, seleccione el botón de velocidad de exprimido (SPIN SPEED) hasta que el ajuste deseado se ilumine de verde.

Temperatura de lavado

Seleccione una temperatura de agua basado en el tipo de carga que esté lavando. Use el agua de lavado más caliente que las telas puedan resistir. Siga las instrucciones de la etiqueta de las prendas.

- Esta lavadora Kenmore tiene una temperatura para el higienizado (Sanitize) que está certificada por NSF International, una organización independiente de prueba y certificación a cargo de terceros. La certificación verifica que el ciclo de higienizado reduzca el 99,9 % de las bacterias que se encuentran típicamente en la ropa, prendas de cama y toallas, y de que no haya transferencia de bacterias entre las cargas después de que se termina el ciclo.



Certificado para esterilizar

- La temperatura de Higienizado con vapor (Steam Sanitize) proporciona una temperatura extra alta para remover 99,9 % de ciertos tipos de bacterias. Es recomendable fijar el calentador de agua en 120°F (49°C) para asegurar un rendimiento adecuado durante este ciclo.
- La temperatura para Higienizado con vapor (Steam Sanitize) usa temperaturas altas de agua. Verifique la etiqueta de cuidado de las prendas para evitar daños en las mismas.
- En temperaturas de agua inferiores a 60°F (15,6°C), los detergentes no se disuelven bien. Además puede resultar difícil quitar la suciedad.

Los enjuagues tibios dejan las cargas más secas que los enjuagues fríos. Los enjuagues tibios aumentan la formación de arrugas. En climas fríos, el enjuague tibio hace que la ropa sea más cómoda para manejar. Los enjuagues fríos ahorran energía.

Control automático de temperatura

El CAT (Control automático de la temperatura) detecta y mantiene electrónicamente una temperatura de agua uniforme. El CAT regula el agua fría y caliente que ingresa. El CAT se enciende automáticamente al seleccionar un ciclo. (Vea "Ajustes prefijados de ciclos" en la sección "Ciclos.")

- El control automático de temperatura (CAT) funciona con todas las temperaturas de lavado.
- El CAT funciona para la temperatura de enjuague si el ajuste de temperatura de lavado está marcado con un asterisco, como en caso de tibio (Warm)*. Todas las otras temperaturas de lavado son frías y dependen del agua fría del grifo de su casa.

Guía para el lavado

Consulte este cuadro para obtener sugerencias sobre tipos de cargas y sus ciclos correspondientes. A la derecha se detallan las opciones disponibles para cada uno de estos ciclos de lavado.

CICLO	TIPO DE CARGA SUGERIDA	OPCIONES DISPONIBLES				
		Inicio diferido (Delay Start)	Tratamiento de manchas (STEAM TREAT™)	Prelavado (Prewash)	Exprimido prolongado (Extended Spin)	Segundo enjuague (2nd Rinse)
Lavado expreso (Express Wash)	Cargas pequeñas de 2 a 3 prendas de algodón y mezclas de poliéster, náilon y algodón con suciedad ligera.	✓			✓	✓
Lavado a mano/ Ropa delicada (Handwash/ Delicate)	Telas de seda o ultradelicadas cuya etiqueta indica que se pueden lavar en lavadora.	✓				✓
Enjuague y exprimido (Rinse & Spin)	Todas las cargas	✓			✓	✓
Desagüe y exprimido (Drain & Spin)	Todas las cargas	✓				✓
Limpiar la lavadora (Clean Washer)	Sin ropa	✓				
Blancos blanquísimos (Whitest Whites)	Telas blancas sucias	✓	✓	✓	✓	✓
Intenso (Heavy Duty)	Ropa interior, toallas, camisas, etc. de algodón con suciedad intensa	✓	✓	✓	✓	✓
Normal/ Informal (Normal/Casual)	Blusas, camisas, overoles, etc. de poliéster, náilon, algodón, lino o mezclas de algodón con suciedad normal	✓	✓	✓	✓	✓
Remojo (Soak)	Todas las cargas	✓				

CONSEJOS DE LAVANDERÍA

Preparación de la ropa para lavar

Siga estas recomendaciones para ayudarle a prolongar la vida de sus prendas.

- Use solamente detergentes de alto rendimiento. El paquete para este tipo de detergente incluye la indicación "HE" o "Alto rendimiento". Con este sistema de lavado y el menor uso de agua, se formará demasiada espuma si se utiliza un detergente común que no sea de Alto rendimiento. El uso de un detergente común probablemente derive en errores de la lavadora, tiempos de ciclo más prolongados, menor rendimiento de enjuague, así como también en fallas de los componentes y evidente formación de moho. Los detergentes de Alto rendimiento HE están hechos para producir la cantidad adecuada de espuma para el mejor rendimiento. Siga las instrucciones del fabricante para determinar la cantidad de detergente que debe usar.



Use solamente un detergente de alto rendimiento (HE).

- Cierre los zípers, broches de presión y corchetes para evitar que enganchen otros artículos. Quite alfileres, hebillas y demás objetos duros para evitar que rayen el interior de la lavadora. Quite todo adorno y ornamento que no sea lavable.
- Vacíe los bolsillos y vuélvalos al revés.
- Doble los puños y limpie con un cepillo la pelusa y la suciedad.
- Vuelva al revés las prendas de lana y tejido sintético para evitar que se llenen de pelusas.
- Ate los cordones y fajas de modo que no se enreden.
- Remiende lo que esté roto así como las costuras y dobladillos flojos.
- Trate las manchas y suciedades.
- Las prendas manchadas o mojadas deberán lavarse con prontitud para obtener mejores resultados.
- Mezcle artículos grandes y pequeños, evite lavar artículos separados y cargue de modo uniforme.
- Lave los artículos pequeños, tales como calcetines de niños, en bolsas de malla para prendas. Para crear una carga balanceada, se recomienda usar más de una bolsa para prendas y que cada una de ellas se llene con la misma cantidad de material.

NOTA: Si solamente va a lavar prendas pequeñas, se recomienda usar más de una bolsa para prendas y que cada una de ellas se llene con la misma cantidad de material.

Selección de la ropa

- Separe las prendas con suciedad profunda de las que están ligeramente sucias, aún cuando éstas normalmente se lavarían juntas. Separe las prendas que sueltan pelusa (toallas, felpilla) de las que atraen pelusa (pana, artículos sintéticos y de planchado permanente). Siempre que sea posible, vuelva al revés las prendas que sueltan pelusa.
- Separe los colores oscuros de los colores claros, los artículos no desteñibles de los que sí lo son.
- Separe por tipo de tela y estructura (prendas fuertes de algodón, tejidos de punto y prendas finas).

Cómo descargar

- Saque la ropa de la lavadora después de que se haya completado el ciclo. Los objetos metálicos como zípers, broches a presión y hebillas pueden oxidarse si se dejan en la lavadora por largo tiempo.
- Al sacar las prendas de la lavadora, de vez en cuando revise si no han quedado pequeños artículos debajo del sello de color gris que está al frente de la tina.

Cómo cargar

Sugerencias para cargar

Ropa pesada de trabajo

4 pantalones de mezclilla	2 pantalones de deporte
4 pantalones de trabajo	2 camisetas de deporte
4 camisas de trabajo	

Toallas

10 toallas de baño	14 toallas faciales
10 toallas de mano	

Carga mixta

3 sábanas (1 de cama doble, 2 de camas gemelas)	9 playeras
4 fundas	9 pantalones cortos
3 camisas	10 pañuelos
3 blusas	

Artículos delicados

3 camisolas	2 sujetadores
4 fondos	2 camisones
4 pantaletas	

Ciclo de lavado expreso (EXPRESS WASH)

(de 2 a 3 prendas)

2 camisas de vestir	1 par de pantalones de vestir
---------------------	-------------------------------

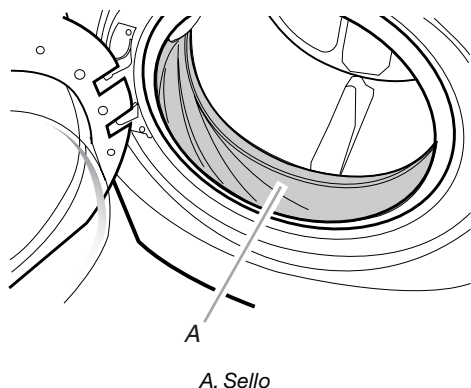
CUIDADO DE LA LAVADORA

Cómo limpiar su lavadora

El procedimiento de mantenimiento de la lavadora deberá hacerse todos los meses.

Limpeza del sello de la puerta

1. Abra la puerta de la lavadora y quite cualquier ropa o artículo que estuviera dentro de la misma.
2. Inspeccione el sello gris que se encuentra entre la abertura de la puerta y la canasta para detectar si hay áreas manchadas. Jale el sello hacia atrás para inspeccionar las áreas debajo del mismo. Saque todos los objetos extraños.



3. Si se encuentran áreas manchadas en el sello, límpielas usando el siguiente procedimiento.
 - a) Mezcle una solución diluida utilizando $\frac{3}{4}$ taza (177,4 mL) de blanqueador líquido con cloro y 1 gal. (3,8 L) de agua tibia del grifo.
 - b) Limpie el área del sello con la solución diluida y un paño húmedo.
 - c) Déjela reposar durante 5 minutos.
 - d) Limpie el área meticulosamente con un paño seco y deje que el interior de la lavadora se seque al aire con la puerta abierta.

IMPORTANTE:

- Use guantes de goma cuando limpie por períodos prolongados.
- Vea las instrucciones de uso adecuado provistas por el fabricante del blanqueador.

Procedimiento para el mantenimiento de la lavadora

Esta lavadora tiene un ciclo especial que utiliza mayores volúmenes de agua y vapor, junto con blanqueador líquido con cloro para limpiar meticulosamente el interior de su lavadora.

NOTAS:

- Lea estas instrucciones completamente antes de comenzar el proceso de limpieza.
- Si fuera necesario, el ciclo de limpieza puede ser interrumpido al presionar el botón de parada (STOP). Sin embargo, el ciclo no se detendrá inmediatamente. La máquina mostrará en la pantalla "int" (interrumpir) y continuará con varios pasos de enjuague y desagüe para asegurar que se haya enjuagado todo el blanqueador de la lavadora.

Comience el procedimiento

1. Abra la puerta de la lavadora y quite cualquier ropa o artículo que estuviera dentro de la misma.
2. Abra la gaveta del depósito y agregue inmediatamente $\frac{2}{3}$ taza (160 mL) de blanqueador líquido con cloro en el compartimiento del blanqueador.

NOTA: No agregue ningún detergente a este ciclo. Si usa más de $\frac{2}{3}$ taza (160 mL) de blanqueador el producto podrá dañarse con el tiempo.

3. Cierre la puerta de la lavadora y la gaveta del depósito.
4. Seleccione el ciclo de limpiar la lavadora (CLEAN WASHER).
5. Presione Inicio (START).

NOTA: La canasta rotará, después la puerta se destrabará, se trabará nuevamente y después continuará el ciclo.

- La máquina traerá algo de agua de la entrada y la canasta rotará mientras la lavadora hace un ciclo corto de detección. Esto tardará aproximadamente 3 minutos.
6. El ciclo determinará si hay ropa u otros artículos en la lavadora.
 - a) Si no se detectan artículos en la lavadora, ésta procederá al paso 7.
 - b) Si se detecta algún artículo en la lavadora, aparecerán en la pantalla "rL" y las luces de lavado (WASH) y controles bloqueados (CONTROLS LOCKED) permanecerán encendidas. La puerta se desbloqueará. Abra y saque las prendas que estén en el tambor de lavado.
 - Presione parada (STOP) para anular el código de falla. Después repita los pasos 3, 4 y 5 para comenzar nuevamente el ciclo.
 7. Una vez que haya comenzado el ciclo, deje que el ciclo finalice.
 8. Una vez que haya finalizado el ciclo, deje la puerta levemente abierta para que haya una mejor ventilación y secado del interior de la lavadora.

Siempre haga lo siguiente para mantener la frescura de la lavadora

- Use solamente un detergente de alto rendimiento (HE).
- Deje la puerta levemente abierta después de cada ciclo para permitir una mejor ventilación y secado del interior de la lavadora.
- Repita el procedimiento de limpieza todos los meses.
- Si el procedimiento no mejora suficientemente la frescura de la máquina, sírvase evaluar su instalación y las condiciones de uso para detectar otras causas.

Limpeza externa

Use un paño suave y húmedo o una esponja para limpiar cualquier derrame. De vez en cuando, limpie el exterior de su lavadora para que se vea como nueva. Use jabón suave y agua. No use productos abrasivos.

Limpieza de la gaveta del depósito

La gaveta del depósito es desmontable para facilitar la limpieza.

1. Destrahe la gaveta del depósito presionando la palanca para liberarla. Vea "Uso del depósito". Quite la gaveta.
2. Quite los insertos (el sifón de los compartimientos del suavizante y del blanqueador y el selector).
3. Lave las piezas en el agua del grifo.
4. Vuelva a colocar los insertos y coloque nuevamente el depósito en la gaveta.

Mangueras de entrada de agua

Reemplace las mangueras de entrada después de 5 años de uso para reducir el riesgo de que fallen. Revise periódicamente y cambie las mangueras de entrada si se hallan protuberancias, torceduras, cortes, desgaste o pérdidas de agua.

Cuando reemplace las mangueras de entrada del agua, anote la fecha de reposición.

Cuidado durante las vacaciones, el almacenamiento y la mudanza

Instale y guarde su lavadora donde no se congele. Debido a que puede quedar algo de agua en las mangueras, la congelación de ésta puede dañar su lavadora. Si va a almacenar o mover su lavadora durante una temporada de invierno riguroso, acondiciónela para el invierno.

Falta de uso o cuidado durante las vacaciones:

Ponga a funcionar su lavadora únicamente cuando esté en casa. Si va a salir de vacaciones o no va a usar la lavadora durante un período prolongado, usted debe:

- Desenchufar la lavadora o desconectar el suministro de energía.
- Interrumpir el suministro de agua a la lavadora. Esto ayuda a evitar inundaciones accidentales (debido a aumentos en la presión del agua) en ausencia suya.
- Abra ligeramente la puerta para proporcionar ventilación.

Para acondicionar la lavadora para el invierno:

1. Vierta 1 cuarto (1 L) de anticongelante tipo R.V. en el tambor.
2. Ponga la lavadora a funcionar en el ciclo de Desagüe y Exprimido (Drain & Spin).
3. Desenchufe la lavadora o desconecte el suministro de energía.
4. Cierre ambos grifos del agua.
5. Desconecte las mangueras de entrada del agua de los grifos y desagüe.

Para volver a usar la lavadora:

1. Deje correr agua por las tuberías. Vuelva a conectar las mangueras de entrada del agua a los grifos. Abra ambos grifos del agua.

⚠ ADVERTENCIA



Peligro de Choque Eléctrico

Conecte a un contacto de pared de conexión a tierra de 3 terminales.

No quite la terminal de conexión a tierra.

No use un adaptador.

No use un cable eléctrico de extensión.

No seguir estas instrucciones puede ocasionar la muerte, incendio o choque eléctrico.

2. Enchufe la lavadora o reconecte el suministro de energía.
3. Ponga la lavadora a funcionar en el ciclo normal/informal (Normal/Casual) con un ½ de la cantidad de detergente de alto rendimiento HE recomendada por el fabricante para una carga de tamaño mediano, para limpiar la lavadora y eliminar el anticongelante, de haberlo usado.

Para transportar la lavadora:

1. Si va a mover la lavadora durante una temporada de invierno riguroso, vierta 1 cuarto (1 L) de anticongelante tipo R.V. en el tambor. Ponga la lavadora a funcionar en el ciclo de Desagüe y Exprimido (Drain & Spin).
2. Desenchufe el cable de suministro de energía.
3. Desconecte la manguera de desagüe del sistema de desagüe y fíjela a los ganchos del panel posterior.
4. Cierre ambos grifos del agua.
5. Desconecte las mangueras de entrada del agua de los grifos, luego elimine el agua de las mangueras y fíjelas al panel posterior de la lavadora.

IMPORTANTE: Llame al servicio técnico. No vuelva a usar los pernos de transporte. La lavadora debe ser transportada en la posición vertical. Para prevenir daños estructurales y de suspensión, su máquina debe estar debidamente preparada para ser nuevamente ubicada por un técnico certificado.

Para volver a instalar la lavadora

1. Siga las "Instrucciones de instalación" para ubicar, nivelar y conectar la lavadora.
2. Ponga la lavadora a funcionar en el ciclo normal/informal (Normal/Casual) con un ½ de la cantidad de detergente de alto rendimiento HE recomendada por el fabricante para una carga de tamaño mediano, para limpiar la lavadora y eliminar el anticongelante, de haberlo usado.

SOLUCIÓN DE PROBLEMAS

Pruebe primero las soluciones aquí sugeridas y posiblemente se evite el costo de una visita de servicio técnico...

La pantalla de la lavadora muestra mensajes codificados y emite señales audibles

- **“F20” (Problema de entrada de agua - no hay suministro de agua o hay un suministro de agua insuficiente)**
Seleccione Parada (STOP) dos veces para anular el ciclo. Desenchufe la lavadora o desconecte el suministro de energía.
Verifique lo siguiente:
 - ¿Están completamente abiertos los grifos del agua?
 - ¿Están obstruidos los filtros en la conexión de la manguera de entrada con la lavadora?
 - ¿Están retorcidas las mangueras de entrada del agua?
 - ¿Se han congelado las mangueras de entrada del agua?Enchufe la lavadora o reconecte el suministro de energía. Vuelva a seleccionar el ciclo y presione START. Si el problema persiste, llame al servicio técnico.
- **“F21” (Problema de desagüe)**
Seleccione Parada (STOP) dos veces para anular el ciclo. Desenchufe la lavadora o desconecte el suministro de energía.
Verifique lo siguiente:
 - ¿Está retorcida la manguera de desagüe?
 - ¿Se ha congelado la manguera de desagüe?
 - ¿Está obstruida la manguera de desagüe?
 - ¿Está la manguera de desagüe a una altura mayor de 96" (2,4 m) del piso?Enchufe la lavadora o reconecte el suministro de energía. Vuelva a seleccionar el ciclo y presione START. Si el problema persiste, llame al servicio técnico.
- **“SUD” (Rutina de espuma)**
Cuando el sistema detecta la presencia de exceso de espuma, la rutina de espuma comienza automáticamente. Esta rutina quita la espuma excedente y asegura el enjuague apropiado de sus prendas. “SUD” aparece en la pantalla durante el enjuague para informarle que la Rutina de espuma ha sido activada. Use solamente detergentes de alto rendimiento (HE).
- **“F22” (Está bloqueada la puerta frontal)**
Seleccione Parada (STOP) dos veces para anular el ciclo.
 - ¿Se ha cerrado bien la puerta de la lavadora?
La puerta deberá estar completamente cerrada para que la lavadora funcione. La puerta puede parecer cerrada pero no estar asegurada. Abra la puerta y ciérrela con firmeza.
 - ¿Está lavando una carga grande?
Antes de cerrar la puerta de la lavadora, fíjese si hay artículos que se salen de la abertura de la puerta. Deje espacio suficiente para que la ropa pueda rotar libremente en la lavadora. Una canasta que esté sobrecargada impedirá que la puerta se cierre por completo. Si es necesario, reduzca el tamaño de la carga.Presione encendido (POWER), vuelva a seleccionar el ciclo y presione START.

- **Códigos “F” diferentes de F20, F21 y F22**
Seleccione Parada (STOP) dos veces para cancelar el ciclo. Seleccione Desagüe y exprimido (DRAIN & SPIN) si hay exceso de agua en la lavadora.

Vuelva a seleccionar el ciclo y presione START. Si el problema persiste, llame al servicio técnico.

La lavadora no funciona

⚠ ADVERTENCIA



Peligro de Choque Eléctrico

Conecte a un contacto de pared de conexión a tierra de 3 terminales.

No quite la terminal de conexión a tierra.

No use un adaptador.

No use un cable eléctrico de extensión.

No seguir estas instrucciones puede ocasionar la muerte, incendio o choque eléctrico.

- **Verifique lo siguiente:**
 - ¿Está el cable eléctrico enchufado en un contacto de 3 terminales de conexión a tierra?
 - ¿Se ha cerrado bien la puerta de la lavadora?
 - ¿Se ha seleccionado un ciclo, pero no se ha seleccionado START sosteniéndolo durante 1 segundo?
 - ¿Se ha abierto la puerta después de haberse terminado el ciclo anterior?

La lavadora no se llena, no lava ni enjuaga

- **Verifique lo siguiente:**
 - ¿Está el cable eléctrico enchufado en un contacto de 3 terminales de conexión a tierra?
 - ¿Hay corriente en el enchufe? Revise la fuente de electricidad o llame a un electricista.
 - ¿Están abiertas las llaves del agua caliente y del agua fría?
 - ¿Está retorcida la manguera de entrada del agua?
 - ¿Están obstruidos los filtros de la válvula de entrada del agua?
Cierre el agua y quite las mangueras de entrada de la lavadora. Saque cualquier película o partículas que se hayan acumulado. Vuelva a instalar las mangueras, abra el agua y revise si hay fugas de agua.

La lavadora se detiene

- **Verifique lo siguiente:**
 - ¿Está el cable eléctrico enchufado en un contacto de 3 terminales de conexión a tierra?
 - ¿Hay corriente en el enchufe?
Revise la fuente de electricidad o llame a un electricista.
 - ¿Hay un fusible de la casa fundido o se disparó el cortacircuitos?
Reemplace el fusible o reconecte el cortacircuitos. Si el problema continúa, llame a un electricista.
 - ¿Está usando un cable eléctrico de extensión?
No use un cable eléctrico de extensión.

La lavadora no desagua ni exprime

- **¿Está obstruida la manguera de desagüe, o el extremo de la manguera de desagüe está a más de 96" (2,4 m) de distancia del piso?**
- **¿Está bajo el voltaje?**
Revise la fuente de electricidad o llame a un electricista. No use un cable eléctrico de extensión.
- **¿Se ha activado la rutina de espuma "SUD"?**
El ciclo concluirá una vez que se haya eliminado el exceso de espuma.
- **¿Está equilibrada la carga?**
Un solo artículo o uno que sea voluminoso puede causar desequilibrio. Agregue más artículos o redistribuya la carga.

La lavadora hace ruidos o vibra

- **¿Está nivelada la lavadora?**
La lavadora debe estar nivelada. Las cuatro patas deben instalarse correctamente, y las tuercas deben apretarse contra el gabinete de la lavadora.

Mientras se escurre el agua de la lavadora, usted podrá oír el aire que se succiona a través de la bomba. Esto ocurre durante la fase final del desagüe. Es normal.
- **¿Está lavando artículos con broches metálicos a presión, hebillas o zippers?**
Usted podrá escuchar el ruido producido por los artículos al tocar el tambor de la lavadora. Esto es normal.
- **¿Se ha instalado la lavadora sobre un piso resistente y firme?**
Consulte la sección "Instrucciones de instalación" para informarse respecto a los requisitos del piso. El ruido y la vibración pueden reducirse colocando un pedazo de madera laminada de ¾" (19,1 mm) debajo de su lavadora. La madera laminada puede extenderse debajo de la lavadora y la secadora para mantenerlas a la misma altura.

Agua cerca de la lavadora

Revise la plomería de la casa y fíjese si hay fugas de agua.

Los depósitos están obstruidos o hay fugas

- **¿Se han colocado los productos de lavandería en el compartimiento apropiado del depósito?**
Agregue las cantidades adecuadas de detergente, suavizante de telas o blanqueador líquido con cloro en los compartimientos apropiados. Agregue el blanqueador en polvo o líquido que no decolora en el compartimiento del lavado principal. Asegúrese de combinar el blanqueador en polvo no decolorante con el detergente en polvo, o de combinar el blanqueador líquido no decolorante con el detergente líquido.
- **¿Está el separador de detergente en la posición correcta?**
El separador deberá estar en la posición inferior cuando use detergente líquido y en la posición superior cuando use detergente en polvo.

Olores de la lavadora

- **Vea "Cómo limpiar su lavadora".**
- **¿Está usando detergente de alto rendimiento (HE)?**
Si se usa detergente que no es de alto rendimiento, se pueden generar residuos de películas los que a su vez pueden producir olor.
- **¿Dejó la puerta abierta después del uso?**
Esta lavadora tiene un sello hermético que evita las fugas de agua. Para evitar olores, deje la puerta abierta para permitir que la lavadora se seque entre cada uso.

Ropa demasiado mojada

- **¿Ha empleado el ciclo correcto para la carga que está lavando?**
Seleccione un ciclo con un exprimido más rápido.
- **¿Ha lavado sólo un artículo o artículos voluminosos o ha sobrecargado la lavadora?**
Un solo artículo, artículos voluminosos, o sobrecargar pueden causar desequilibrio. Agregue artículos o trate de distribuir uniformemente la ropa mojada en el tambor, y ponga en marcha un ciclo de desagüe y exprimido (Drain & Spin). Si la ropa continúa mojada, saque la mitad de la carga de la lavadora e inténtelo de nuevo.

Residuos o pelusa en la ropa

- **¿Ha agregado detergente en el depósito?**
Para obtener óptimos resultados, agregue el detergente al compartimiento de detergente. No agregue detergente en el tambor de la lavadora.
- **¿Ha separado la ropa adecuadamente?**
Separe las prendas que sueltan pelusa (toallas, felpilla) de las que atraen pelusa (pana, artículos sintéticos). También separe por color.
- **¿Ha sobrecargado la lavadora?**
No sobrecargue la lavadora. La lavadora puede llenarse por completo, pero sin apretujar la ropa. La carga debe estar equilibrada. Si la lavadora está sobrecargada, la pelusa puede quedar adherida a las prendas.
- **Verifique lo siguiente:**
 - ¿Se dejó papel o pañuelo de papel en los bolsillos?

- **¿Ha usado suficiente detergente de alto rendimiento HE?**
Use suficiente detergente para quitar la pelusa y mantenerla en suspensión. Use solamente un detergente HE (de alto rendimiento). Siga las instrucciones del fabricante para determinar la cantidad de detergente que debe usar.
- **¿Está la temperatura del agua por debajo de los 60°F (15,6°C)?**
El agua de lavado con una temperatura inferior a 60°F (15,6°C) quizás no disuelva por completo el detergente.
- **¿Está usando un ciclo de lavado de baja velocidad?**
Los detergentes en polvo quizás no se disuelvan bien en los ciclos de velocidad baja. Para obtener óptimos resultados, utilice detergente líquido para los ciclos de velocidad baja como lavado a mano/lana (Handwash/Wool) y seda/ultradelicado (Silk/Ultra Delicate).

Manchas en la ropa

- **¿Ha agregado detergente en el depósito?**
Para obtener óptimos resultados, agregue el detergente al compartimiento de detergente. No agregue detergente en el tambor de la lavadora.
- **¿Ha usado suficiente detergente de alto rendimiento HE?**
Use suficiente detergente para quitar la suciedad y mantenerla en suspensión. Use solamente un detergente HE (de alto rendimiento). Siga las instrucciones del fabricante para determinar la cantidad de detergente que debe usar.
- **¿Hay hierro (óxido) por encima del promedio en el agua?**
Tal vez necesite instalar un filtro de óxido ferroso.
- **¿Ha separado la ropa adecuadamente?**
Separe las prendas de color oscuro de las blancas y claras.
- **¿Ha descargado la lavadora con rapidez?**
Para evitar la transferencia de tintes, descargue la lavadora tan pronto como se detenga.
- **¿Ha usado una bola con suavizante de telas?**
Las bolas que distribuyen suavizante de telas no funcionan correctamente en esta lavadora. Agregue el suavizante líquido de telas en el compartimiento del suavizante de telas.
- **¿Ha usado detergente en polvo en un ciclo de baja velocidad?**
Considere el empleo de un detergente líquido.
- **¿Han usado el lavado expreso (Express Wash) en una carga grande?**
Para obtener óptimos resultados, use el ciclo de lavado expreso para cargas pequeñas con suciedad ligera.

La ropa está arrugada

- **¿Ha descargado la lavadora con rapidez?**
Descargue la lavadora tan pronto como se detenga.
- **¿Ha empleado el ciclo correcto para la carga que está lavando?**
Utilice el ciclo de lavado a mano/delicado (Handwash/Delicate) u otro ciclo con velocidad baja de exprimido para reducir la formación de arrugas.
- **¿Ha sobrecargado la lavadora?**
La carga debe estar equilibrada y no sobrecargada. Las cargas deben moverse con libertad durante el lavado.

Ropa blanca percutida y colores opacos

- **¿Ha separado la ropa adecuadamente?**
Siempre que mezcle ropa blanca y de color en una carga puede ocurrir una transferencia de tintes. Separe las prendas de color oscuro de las blancas y claras.
- **¿Estaba la temperatura del agua demasiado baja?**
Para lavar use agua caliente o tibia que no afecte la carga de ropa. Cerciórese de que el sistema de agua caliente sea el adecuado para proveer un lavado con agua caliente.
- **¿Ha usado suficiente detergente, o tiene agua dura?**
Use más detergente cuando lave prendas con suciedad rebelde en agua fría o dura.

Ciclo demasiado prolongado

- **¿Ha elegido la opción STEAM TREAT™?**
En ese caso, se activarán el calentador y el evaporador, para proveer el máximo rendimiento de limpieza. Se añadirá tiempo adicional al ciclo común para calentar el agua. Este tiempo adicional dependerá del tamaño de la carga y la temperatura del agua caliente que ingresa.
- **¿Se ha fijado la entrada de agua caliente en la temperatura recomendada de 120°F (49°C)?**
Una temperatura de agua caliente por debajo del ajuste recomendado aumentará el tiempo de calentamiento.
- **¿Aparece en la pantalla “SUD”?**
Se ha detectado excesiva espuma y la rutina de espuma ha sido activada para reducir el exceso. Esta rutina añadirá tiempo adicional al ciclo original.
- **¿Ha sido la carga lo que causa un desequilibrio?**
Cuando hay demasiado desequilibrio, una rutina de desequilibrio comenzará a redistribuir la carga. Durante la rutina de desequilibrio, el tiempo en la pantalla puede hacer una pausa hasta que se complete esta actividad; luego reanudará el resto del ciclo.
- **¿Ha lavado una carga grande usando el ciclo expreso?**
El ciclo expreso está diseñado para cargas de tamaño más pequeño (de 2 a 3 artículos) de prendas con suciedad ligera. Si se lavan cargas más grandes en este ciclo, aumentará el tiempo de lavado.
- **¿Ha lavado una carga grande en un ciclo suave o delicado?**
Cuando use los ciclos de lavado expreso (Express Wash) o lavado a mano/delicado (Handwash/Delicate), debe usar cargas pequeñas. Esto le asegura un lavado delicado para sus prendas sin aumentar los tiempos del ciclo.

La puerta está trabada al final del ciclo de lavado

- **¿Se ha escurrido toda el agua de la lavadora durante el periodo de exprimido?**
Seleccione desagüe y exprimido (DRAIN & SPIN) para eliminar toda el agua que haya quedado en la lavadora. La puerta de la lavadora se destrabará al término del desagüe.

TABLE DES MATIÈRES

CONTRATS DE PROTECTION	52	Utilisation du distributeur.....	63
GARANTIE	53	Pause ou remise en marche.....	64
SÉCURITÉ DE LA LAVEUSE	54	Changement des programmes, options et modificateurs	64
EXIGENCES D'INSTALLATION	55	Témoins lumineux.....	65
Outillage et pièces	55	Programmes	66
Options	55	Sons normaux émis par la laveuse	67
Exigences d'emplacement	55	Options	67
Système de vidange.....	57	Modificateurs.....	68
Spécifications électriques	58	Guide de lessivage	69
INSTRUCTIONS D'INSTALLATION	58	CONSEILS DE LESSIVAGE	70
Enlèvement du système de transport	58	Chargement.....	70
Raccordement des tuyaux d'alimentation	59	ENTRETIEN DE LA LAVEUSE	71
Acheminement du tuyau de vidange	59	Nettoyage de la laveuse	71
Immobilisation du tuyau de vidange	60	Tuyaux d'arrivée d'eau	72
Réglage de l'aplomb de la laveuse	60	Préparation avant des vacances, un entreposage ou un déménagement	72
Achever l'installation.....	60	DÉPANNAGE	73
CARACTÉRISTIQUES ET AVANTAGES	61	NUMÉROS DE SERVICE	COUVERTURE ARRIÈRE
UTILISATION DE LA LAVEUSE	62		
Mise en marche de la laveuse.....	62		
Utilisation du détergent approprié	62		

CONTRATS DE PROTECTION

Contrats principaux de protection

Nous vous félicitons d'avoir fait un achat judicieux. Votre nouvel appareil Kenmore® est conçu et fabriqué pour vous procurer des années de fonctionnement fiable. Mais comme pour tous les produits, il pourra à l'occasion nécessiter un entretien préventif ou une réparation. Le cas échéant, un Contrat principal de protection peut vous épargner de l'argent et des soucis.

Le Contrat principal de protection contribue aussi à prolonger la vie utile de votre nouvel appareil ménager. Le Contrat* inclut :

- ✓ **Pièces et main-d'œuvre** nécessaires pour conserver les appareils en état de fonctionnement correct **pendant une utilisation normale**, pas uniquement les défaillances. Notre couverture **va bien au-delà de la garantie du produit**. Aucune franchise, aucune anomalie de fonctionnement ne sont exclues de ce contrat - **protection réelle**.
- ✓ **Un service d'expert** proposé par plus de 10 000 **techniciens d'entretien Sears** autorisés, ce qui signifie que quelqu'un de confiance prendra soin de votre produit.
- ✓ **Appels de service illimités et service national**, aussi souvent que vous en avez besoin et quand vous en avez besoin.
- ✓ **Garantie "Anti-citron"** - remplacement de votre produit couvert si plus de quatre pannes se produisent en deçà de douze mois.
- ✓ **Remplacement du produit** si votre produit couvert ne peut être réparé.
- ✓ **Vérification annuelle d'entretien préventif sur demande** - sans frais supplémentaires.
- ✓ **Aide rapide par téléphone** - nous appelons cela **Résolution rapide** - support téléphonique d'un agent de Sears sur tous les produits. Considérez-nous comme un "manuel d'utilisateur parlant".

✓ **Protection contre les sautes de puissance** pour prévenir les dommages électriques attribuables aux fluctuations de courant.

✓ **Couverture pour la perte de nourriture de 250 \$** par an sur tout aliment altéré en raison d'une défaillance mécanique sur tout réfrigérateur ou congélateur couvert.

✓ **Remboursement de location** si la réparation du produit couvert prend plus de temps que promis.

✓ **10 % de réduction** sur le prix courant de toute intervention de réparation non-couverte et pièces de rechange.

Dès que vous achetez le Contrat, il suffit d'un appel téléphonique pour obtenir un rendez-vous de service. Vous pouvez appeler en tout temps jour et nuit ou prendre un rendez-vous de service en direct.

Le Contrat principal de protection constitue un investissement sans risque. Si vous annulez pour une quelconque raison pendant la période de garantie du produit, nous vous rembourserons intégralement ou nous vous verserons un remboursement au prorata après l'expiration de la période de garantie. Achetez votre Contrat principal de protection aujourd'hui même!

Certaines limitations et exclusions s'appliquent. Pour des prix et renseignements supplémentaires aux États-Unis, composez le 1-800-827-6655.

***Le contrat de couverture au Canada varie pour certains articles. Pour des informations détaillées, appelez Sears Canada au 1-800-361-6665.**

Service d'installation Sears

Pour l'installation professionnelle garantie par Sears d'appareils ménagers et d'articles tels que les ouvre-portes de garage, chauffe-eau, et autres gros appareils ménagers, aux É.-U. ou au Canada, composez le **1-800-4-MY-HOME®**.

GARANTIE DES APPAREILS MÉNAGERS KENMORE ELITE®

GARANTIE LIMITÉE DE UN AN

Lorsqu'il est installé, utilisé et entretenu conformément à toutes les instructions fournies avec le produit, si cet appareil ménager fait défaut par suite d'un vice de matériau ou de fabrication au cours de l'année qui suit la date d'achat, composer le 1-800-4-MY-HOME® pour obtenir une réparation gratuite.

GARANTIE LIMITÉE À VIE SUR LE TAMBOUR EN ACIER INOXYDABLE

Pendant la durée de vie de la laveuse à partir de la date d'achat, lorsque celle-ci est installée, utilisée et entretenue conformément à toutes les instructions fournies avec le produit, Sears remplacera le tambour en acier inoxydable s'il existe des défauts de matériaux ou de main-d'œuvre. Après la première année, le client assume tous les frais de main-d'œuvre associés au remplacement de cette pièce.

GARANTIE LIMITÉE DE DIX ANS SUR LA CUVE EN PLASTIQUE

Pendant dix ans à compter de la date d'achat, lorsque cette laveuse est installée, utilisée et entretenue conformément à toutes les instructions fournies avec le produit, Sears remplacera la cuve en plastique s'il existe des défauts de matériaux ou de main-d'œuvre. Après la première année, le client assume tous les frais de main-d'œuvre associés au remplacement de cette pièce.

GARANTIE LIMITÉE DE CINQ ANS SUR LES PIÈCES DU SYSTÈME D'ENTRAÎNEMENT

Pendant cinq ans à compter de la date d'achat, lorsque cette laveuse est installée, utilisée et entretenue conformément à toutes les instructions fournies avec le produit, Sears remplacera les pièces suivantes du système d'entraînement s'il existe des défauts de matériaux ou de main-d'œuvre : poulie d'entraînement et courroie d'entraînement. Après la première année, le client assume tous les frais de main-d'œuvre associés au remplacement de ces pièces.

GARANTIE LIMITÉE DE DEUX ANS SUR LE TABLEAU DE COMMANDE ÉLECTRONIQUE SENSOR SMART™

Pendant deux ans à compter de la date d'achat, lorsque cette laveuse est installée, utilisée et entretenue conformément à toutes les instructions fournies avec le produit, Sears remplacera le tableau de commande électronique s'il existe des défauts de matériaux ou de main-d'œuvre. Après la première année, le client assume tous les frais de main-d'œuvre associés au remplacement de ces pièces.

Si cet appareil ménager fonctionne à toute autre fin que l'utilisation familiale privée, la présente garantie ne s'appliquera que pendant 90 jours à partir de la date d'achat.

LA PRÉSENTE GARANTIE COUVRE UNIQUEMENT LES VICES DE MATÉRIAUX ET DE FABRICATION. SEARS NE PAIERA PAS POUR :

1. Les pièces courantes qui peuvent s'user suite à une utilisation normale, notamment les filtres, courroies, ampoules et sacs.
2. L'intervention d'un technicien pour montrer à l'utilisateur comment installer, utiliser et entretenir correctement le produit.
3. L'intervention d'un technicien pour nettoyer ou entretenir ce produit.

4. L'endommagement ou les défauts du produit si celui-ci n'est pas installé, utilisé ou entretenu conformément à toutes les instructions fournies avec le produit.
5. L'endommagement ou les défauts du produit résultant d'accident, usage impropre ou abusif ou utilisation autre que pour laquelle il est destiné.
6. L'endommagement ou les défauts du produit causés par l'utilisation de détergents, agents de nettoyage, produits chimiques ou ustensiles autres que ceux recommandés dans toutes les instructions fournies avec le produit.
7. L'endommagement ou les défauts des pièces ou systèmes résultant d'une modification non autorisée faite au produit.

CLAUSE D'EXONÉRATION DE RESPONSABILITÉ AU TITRE DES GARANTIES IMPLICITES; LIMITATION DES RECOURS

Le seul et exclusif recours du client dans le cadre de la présente garantie limitée consiste en la réparation prévue ci-dessus. Les garanties implicites, y compris les garanties applicables de qualité marchande et d'aptitude à un usage particulier, sont limitées à un an ou à la plus courte période autorisée par la loi. Sears n'assume aucune responsabilité pour les dommages fortuits ou indirects. Certains États ou certaines provinces ne permettent pas l'exclusion ou la limitation des dommages fortuits ou indirects, ou la limitation de la durée des garanties implicites de qualité marchande ou d'aptitude à un usage particulier, de sorte que cette exclusion ou limitation peut ne pas être applicable dans votre cas.

Cette garantie s'applique seulement lorsque cet appareil ménager est utilisé aux États-Unis et au Canada.

Cette garantie vous confère des droits juridiques spécifiques et vous pouvez également jouir d'autres droits qui peuvent varier d'un État à l'autre.

Sears, Roebuck and Co.
Dept. 817WA, Hoffman Estates, IL 60179
Sears Canada Inc.
Toronto, Ontario, Canada M5B 2B8

ENREGISTREMENT DU PRODUIT

Dans l'espace ci-dessous, inscrire les numéros de modèle et de série complets et la date d'achat. Vous trouverez ces renseignements sur la plaque signalétique située sur le produit.

Gardez ces renseignements à disposition pour obtenir plus rapidement assistance ou service lorsque vous communiquez avec Sears au sujet de votre appareil ménager.

Numéro de modèle _____

Numéro de série _____

Date d'achat _____

Conservez ces instructions et votre reçu de vente pour référence ultérieure.

SÉCURITÉ DE LA LAVEUSE

Votre sécurité et celle des autres est très importante.

Nous donnons de nombreux messages de sécurité importants dans ce manuel et sur votre appareil ménager. Assurez-vous de toujours lire tous les messages de sécurité et de vous y conformer.



Voici le symbole d'alerte de sécurité.

Ce symbole d'alerte de sécurité vous signale les dangers potentiels de décès et de blessures graves à vous et à d'autres.

Tous les messages de sécurité suivront le symbole d'alerte de sécurité et le mot "DANGER" ou "AVERTISSEMENT". Ces mots signifient :

⚠ DANGER

Risque possible de décès ou de blessure grave si vous ne suivez pas immédiatement les instructions.

⚠ AVERTISSEMENT

Risque possible de décès ou de blessure grave si vous ne suivez pas les instructions.

Tous les messages de sécurité vous diront quel est le danger potentiel et vous disent comment réduire le risque de blessure et ce qui peut se produire en cas de non-respect des instructions.

IMPORTANTES INSTRUCTIONS DE SÉCURITÉ

AVERTISSEMENT : Pour réduire les risques d'incendie, de choc électrique ou de blessures lors de l'utilisation de la laveuse, suivre les précautions fondamentales dont les suivantes :

- Lire toutes les instructions avant d'utiliser la laveuse.
- Ne pas laver des articles qui ont été nettoyés ou lavés avec de l'essence ou imbibés d'essence, solvants de nettoyage à sec, ou autres substances inflammables ou explosives; ces substances peuvent émettre des vapeurs susceptibles de s'enflammer ou d'exploser.
- Ne pas ajouter d'essence, solvant de nettoyage à sec ou autre produit inflammable ou explosif dans l'eau de lavage. Ces substances peuvent émettre des vapeurs susceptibles de s'enflammer ou d'exploser.
- Dans certaines conditions, de l'hydrogène gazeux peut se former dans un circuit d'eau chaude qui n'a pas été utilisé pendant 2 semaines ou plus. LE GAZ HYDROGÈNE EST EXPLOSIBLE. Si le circuit d'eau chaude n'a pas été utilisé pendant une telle période, avant d'utiliser la laveuse, ouvrir tous les robinets d'eau chaude et laisser l'eau s'écouler pendant plusieurs minutes par chaque robinet. Ceci permettra l'évacuation de l'hydrogène gazeux accumulé. Comme ce gaz est inflammable, ne pas fumer ou utiliser une flamme nue au cours de cette période.
- Ne pas laisser des enfants jouer sur ou à l'intérieur de la laveuse. Bien surveiller les enfants lorsque la laveuse est utilisée à proximité d'enfants.
- Avant de mettre la laveuse au rebut ou hors de service, enlever la porte ou le couvercle.
- Ne pas tenter d'atteindre un article à l'intérieur de la cuve de la laveuse lorsque le tambour, la cuve ou l'agitateur est en mouvement.
- Ne pas installer ou remiser cette laveuse à un endroit où elle serait exposée aux intempéries.
- Ne pas modifier les organes de commande.
- Ne pas réparer ou remplacer un composant quelconque de la laveuse, ni entreprendre une opération de service, si ce n'est spécifiquement recommandé dans ce manuel ou dans un manuel d'instructions de réparations destiné à l'utilisateur; il est alors essentiel que la personne concernée comprenne ces instructions et soit compétente pour les exécuter.
- Voir "Spécifications électriques" pour les instructions de liaison à la terre.

CONSERVEZ CES INSTRUCTIONS

EXIGENCES D'INSTALLATION

Outils et pièces

Rassembler les outils et pièces nécessaires avant de commencer l'installation. Les pièces fournies se trouvent dans le tambour de la laveuse.

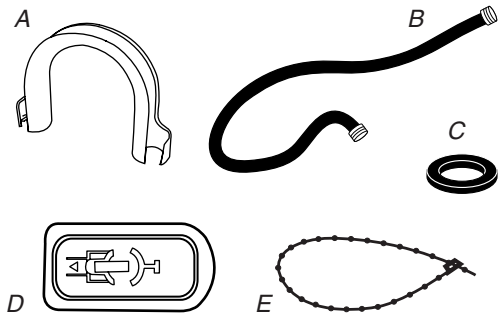
Outils nécessaires pour raccorder les tuyaux d'arrivée d'eau

- Pince (ouverture jusqu'à 1 $\frac{1}{16}$ " [39,5 mm])
- Lampe de poche (facultative)

Outils nécessaires pour l'installation

- Clés plate de 17 mm et de 13 mm
- Niveau
- Bloc de bois
- Règle ou ruban à mesurer

Pièces fournies :



- A. Support de tuyau de vidange
 B. Tuyau d'arrivée d'eau (2)
 C. Rondelle du tuyau d'arrivée d'eau (4)
 D. Bouchon du trou du boulon de transport (4)
 E. Courroie perlée d'eau (4)

Autres pièces

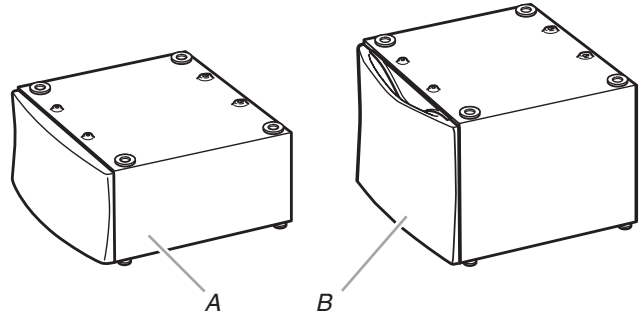
Les pièces indiquées sont disponibles à votre magasin Sears local ou au centre de service Sears. Pour obtenir plus de renseignements, veuillez composer le **1-800-4-MY-HOME® (1-800-469-4663)**.

Si vous avez	Il faudra acheter
Évier de buanderie ou tuyau de rejet à l'égout plus haut que 96" (2,4 m)	Système de pompe de puisard (si non déjà disponible)
Égout surélevé	Évier de vidange standard de 20 gal (76 L) et de 30" (76,2 cm) de hauteur ou évier utilitaire et pompe de puisard (disponibles chez votre fournisseur local d'articles de plomberie)
Vidange au plancher	Brise-siphon, pièce n° 285834; tuyau de vidange additionnel, pièce n° 8318155; et trousse de connexion, pièce n° 285835
Tuyau de vidange trop court	Trousse de rallonge de tuyau d'écoulement de 4 pi (1,2 m), pièce n° 285863
Robinet d'eau éloignés du tuyau d'entrée d'eau	2 tuyaux plus longs de remplissage d'eau : 6 pi (1,8 m) pièce n° 76314, 10 pi (3,0 m) pièce n° 350008

Options

Piédestal

Vous pouvez acheter des piédestaux de différentes hauteurs séparément pour cette laveuse. Vous pouvez choisir un piédestal de 10" (25,4 cm) ou de 15,5" (39,4 cm). Ne pas oublier que le piédestal ajoutera à la hauteur totale de la laveuse.



- A. Piédestal de 10" (25,4 cm)
 B. Piédestal de 15,5" (39,4 cm)

Le piédestal (avec tiroir de remisage) est disponible en plusieurs couleurs.

Pour commander, téléphoner à votre magasin Sears local. Pour obtenir plus de renseignements, veuillez composer le **1-800-4-MY HOME® (1-800-469-4663)**.

Hauteur du piédestal	Hauteur approximative avec laveuse	Couleur	Pièce n°
10" (25,4 cm)	48" (122 cm)	Blanc	46822
15,5" (39,4 cm)	53" (135 cm)	Blanc	57822

Ensemble de superposition

Prévoyez-vous superposer votre laveuse et votre sècheuse Kenmore? Pour ce faire, vous trouverez l'ensemble de superposition (8541503) dans le tambour de la sècheuse Kenmore correspondante. Suivre les instructions incluses avec cet ensemble. Voir "Exigences d'emplacement".

Exigences d'emplacement

Le choix d'un emplacement approprié pour la laveuse en améliore le rendement et réduit au minimum le bruit et le "déplacement" possible de la laveuse.

La laveuse peut être installée sous un comptoir sur mesure, dans un sous-sol, une salle de buanderie, un placard ou un encastrement. Voir "Système de vidange".

Les exigences d'un emplacement pour les appareils connexes doivent être également considérées. Il vous incombe d'assurer une installation appropriée.

Il vous faudra

- Un chauffe-eau pour fournir de l'eau à 120°F (49°C) à la laveuse.
- Une prise électrique reliée à la terre située à moins de 6 pi (1,8 m) de la prise du cordon électrique se trouvant à l'arrière de la laveuse. Voir "Spécifications électriques".

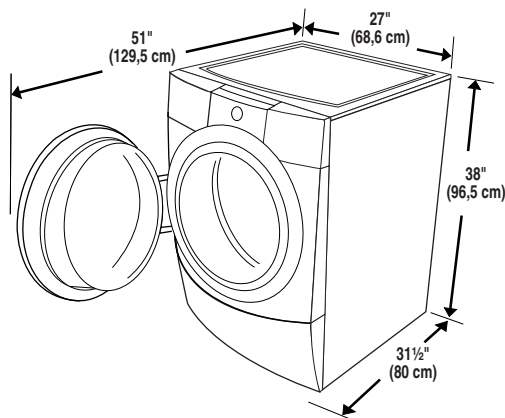
- Des robinets d'eau chaude et d'eau froide situés à moins de 4 pi (1,2 m) des robinets de remplissage d'eau chaude et d'eau froide, et une pression d'eau de 20-100 lb/po² (137,9-689,6 kPa).
- Si vous habitez dans une région où l'eau est dure, il est recommandé d'utiliser un adoucisseur d'eau afin de contrôler les accumulations de calcaire dans l'évaporateur et d'autres parties de la laveuse. Après un certain temps, les accumulations de calcaire peuvent obstruer l'évaporateur, ce qui réduira son efficacité et son rendement. Des accumulations excessives de calcaire peuvent engendrer la nécessité de remplacer ou de réparer l'évaporateur.
- Un plancher de niveau ayant une pente maximale de 1" (2,5 cm) sous toute la laveuse. L'installation de la laveuse sur des surfaces de sol molles, telles que tapis ou surfaces avec sous-couche en mousse, n'est pas recommandée.
- Un plancher robuste et solide pour supporter la laveuse dont le poids total (eau et charge) est de 400 lb (180 kg).

Ne pas faire fonctionner la laveuse à des températures au-dessous de 32°F (0°C). Une quantité d'eau peut demeurer dans la laveuse et causer des dommages à des températures basses.

Dégagements de séparation à respecter

- L'emplacement doit être assez grand pour permettre d'ouvrir complètement la porte de la laveuse.
- On doit prévoir un peu plus d'espace pour faciliter l'installation et l'entretien.
- Un espace supplémentaire peut être requis pour les moulures de porte et de murs ainsi que pour les plinthes.
- Un espace supplémentaire de 1" (2,5 cm) de tous les côtés de la laveuse est recommandé pour réduire le transfert du bruit.
- Il faut aussi tenir compte de l'espace requis pour des appareils connexes.

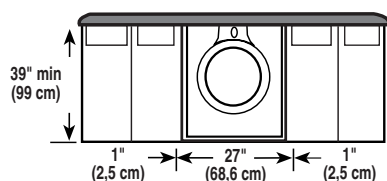
Dimensions de la laveuse



Espacement recommandé pour une installation personnalisée sous un comptoir

Les dimensions indiquées sont pour l'espace recommandé.

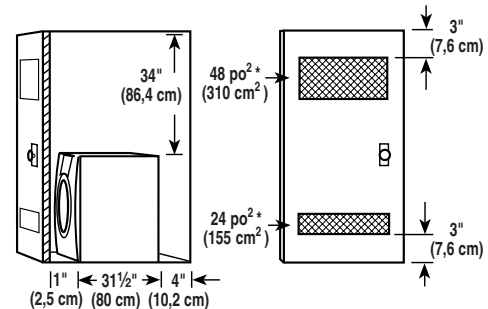
Installation personnalisée sous un comptoir - laveuse seulement



Espacement recommandé pour une installation dans un encastrement ou dans un placard, avec ou sans piédestal

Les dimensions indiquées sont pour l'espace recommandé.

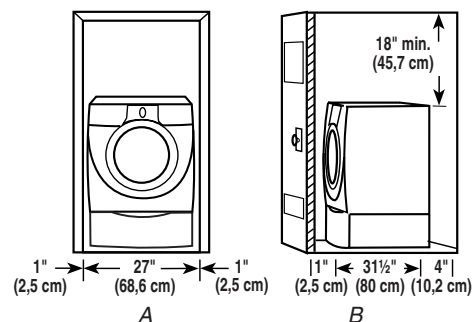
Installation dans un encastrement ou placard



A. Vue latérale - placard ou endroit exigü
B. Porte de placard avec orifices d'entrée d'air

*Orifices d'entrée d'air min. supérieurs et inférieurs pour porte de placard.

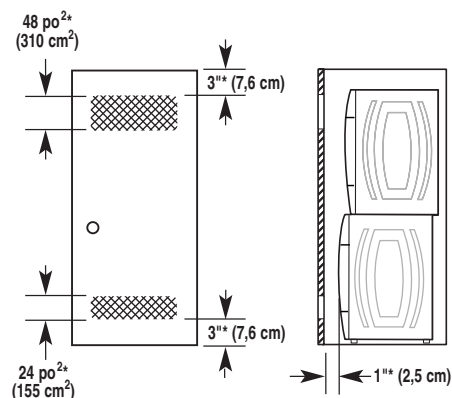
Installation dans un encastrement ou placard - laveuse sur piédestal



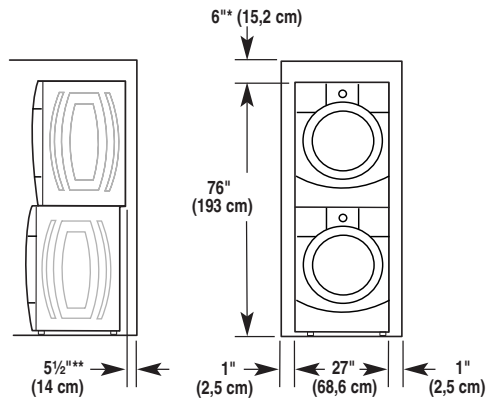
A. Encastrement
B. Vue latérale - placard ou endroit exigü

Espacement recommandé pour une installation dans un encastrement ou dans un placard, avec une laveuse et une sècheuse superposées

Les dimensions indiquées sont pour l'espace recommandé.



*Espacement requis

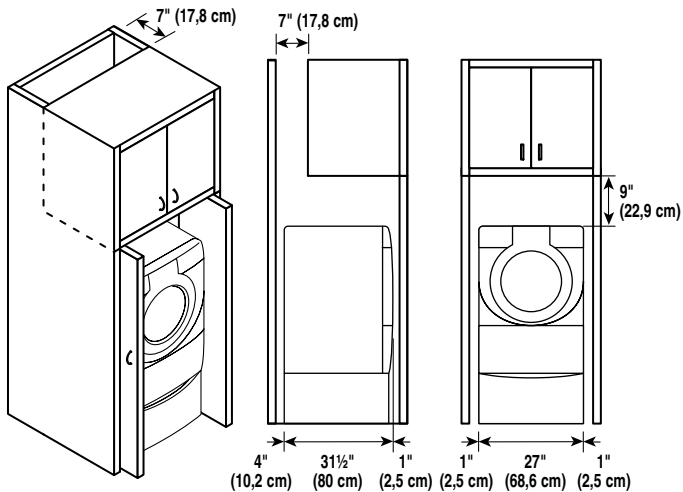


*Espace requis

** En cas d'évacuation par le côté, un espace de 1" (2,5 cm) est permis.

Espace recommandé pour l'installation dans un placard

- Les dimensions indiquées sont pour l'espace recommandé.
- Pour installation dans un placard avec porte, on doit prévoir des ouvertures minimums d'entrée d'air au sommet du placard.



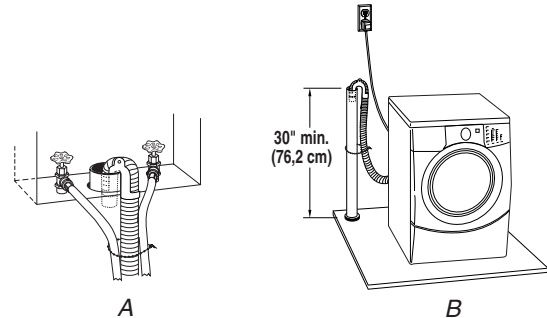
Système de vidange

La laveuse peut être installée en utilisant le système de rejet à l'égout (au plancher ou mural), le système de vidange de l'évier de buanderie ou le système de vidange au plancher. Sélectionner la méthode d'installation du tuyau de vidange selon les besoins. Voir "Outillage et pièces".

Système de rejet à l'égout - mural ou au plancher (vues A et B)

Le système de rejet à l'égout nécessite un tuyau de diamètre minimum de 2" (5 cm). La capacité minimale d'acheminement ne doit pas être de moins de 17 gal (64 L) par minute.

Le sommet du tuyau de vidange doit être d'au moins 30" (76,2 cm) de haut et au maximum à 96" (2,4 m) de la base de la laveuse.



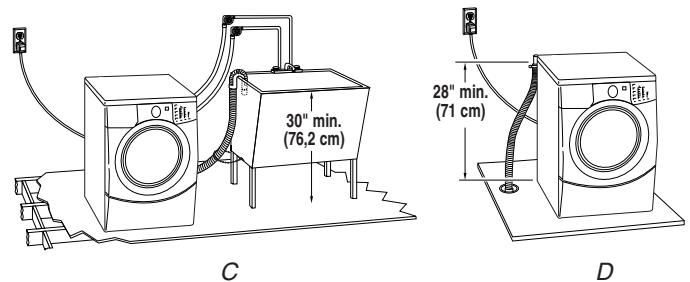
Système de vidange de l'évier de buanderie (vue C)

L'évier de buanderie doit avoir une capacité minimale de 20 gal (76 L). Le sommet de l'évier doit être à au moins 30" (76,2 cm) au-dessus du plancher.

Système de vidange au plancher (vue D)

Le système de vidange au plancher exige un brise-siphon qui peut être acheté séparément. Voir "Outillage et pièces".

Le brise-siphon doit être à un minimum de 28" (71 cm) de la base de la laveuse. D'autres tuyaux peuvent être requis.



Spécifications électriques

⚠ AVERTISSEMENT



Risque de choc électrique

Brancher sur une prise à 3 alvéoles reliée à la terre.

Ne pas enlever la broche de liaison à la terre.

Ne pas utiliser un adaptateur.

Ne pas utiliser un câble de rallonge.

Le non-respect de ces instructions peut causer un décès, un incendie ou un choc électrique.

- Une alimentation électrique de 120 volts, 60-Hz, CA seulement, de 15 ou 20 ampères, protégée par un fusible est requise. Un fusible temporisé ou disjoncteur est recommandé. Il est recommandé d'utiliser un circuit distinct pour alimenter seulement cet appareil.
- Cette laveuse est dotée d'un cordon d'alimentation avec fiche de branchement à 3 broches pour liaison à la terre.
- Pour minimiser le risque de choc électrique, le cordon doit être branché sur une prise de courant de configuration correspondante (3 alvéoles) reliée à la terre, conformément aux codes et règlements locaux. Si une prise de configuration correspondante n'est pas disponible, c'est au client qu'incombe la responsabilité et l'obligation de faire installer par un électricien qualifié une prise convenablement mise à la terre.
- Si les codes le permettent et si un conducteur distinct de mise à la terre est utilisé, il est recommandé qu'un électricien qualifié détermine si la liaison à la terre est adéquate.

- Ne pas effectuer de liaison à la terre sur une canalisation de gaz.
- En cas de doute concernant la qualité de la liaison à la terre de la laveuse, vérifier auprès d'un électricien qualifié.
- Ne pas utiliser un fusible dans le circuit neutre ou de liaison à la terre.

INSTRUCTIONS DE LIAISON À LA TERRE

Pour une laveuse reliée à la terre et connectée par un cordon :

Cette laveuse doit être reliée à la terre. En cas d'anomalie de fonctionnement ou de panne, la liaison à la terre réduira le risque de choc électrique en offrant au courant électrique un itinéraire d'évacuation de moindre résistance. Cette laveuse est alimentée par un cordon électrique comportant un conducteur relié à la terre et une fiche de branchement munie d'une broche de liaison à la terre. La fiche doit être branchée sur une prise de courant appropriée qui est bien installée et reliée à la terre conformément à tous les codes et règlements locaux.

AVERTISSEMENT : Le raccordement incorrect de cet appareil au conducteur de liaison à la terre peut susciter un risque de choc électrique. En cas de doute quant à la qualité de la liaison à la terre de l'appareil, consulter un électricien ou technicien d'entretien qualifié.

Ne pas modifier la fiche de branchement fournie avec l'appareil – si la fiche ne correspond pas à la configuration de la prise de courant, demander à un électricien qualifié d'installer une prise de courant convenable.

Pour une laveuse raccordée en permanence :

Cette laveuse doit être raccordée à un système de câblage permanent en métal relié à la terre ou un conducteur relié à la terre doit être en fonction avec les conducteurs de circuit et raccordés à la borne de liaison à la terre ou la borne sur l'appareil ménager.

INSTRUCTIONS D'INSTALLATION

Enlèvement du système de transport

⚠ AVERTISSEMENT

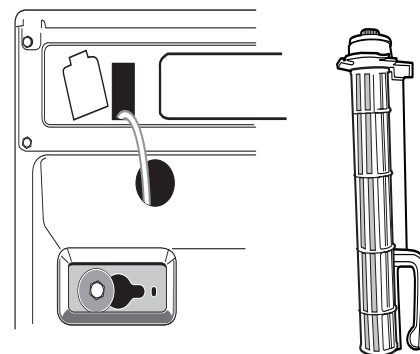
Risque du poids excessif

Utiliser deux ou plus de personnes pour déplacer et installer la laveuse.

Le non-respect de cette instruction peut causer une blessure au dos ou d'autre blessure.

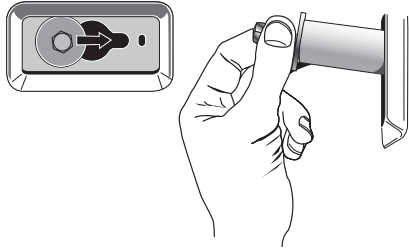
IMPORTANT : Positionner la laveuse de sorte que l'arrière de la machine soit à environ 3 pi (90 cm) de l'emplacement final.

On trouve sur le panneau arrière de la laveuse 4 boulons qui supportent le système de suspension durant le transport. Ces boulons retiennent également le cordon d'alimentation à l'intérieur de la laveuse jusqu'à ce qu'on les enlève.



1. Au moyen d'une clé de 13 mm, desserrer chacun des boulons.

- Une fois le boulon desserré, le déplacer au centre du trou et le retirer complètement, y compris la cale d'espacement en plastique couvrant le boulon.



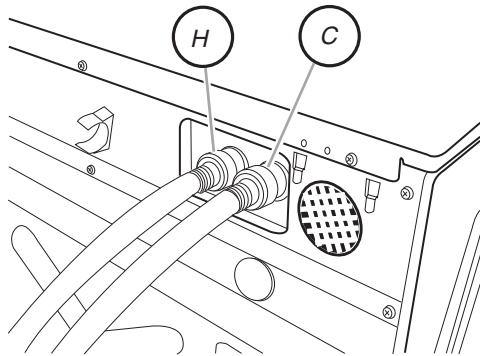
- Lorsque les 4 boulons sont retirés, les jeter, ainsi que les cales d'espacement. Ensuite, tirer le cordon d'alimentation par l'ouverture du panneau arrière et boucher le trou avec le bouchon fourni.
- Obturer les trous avec les 4 bouchons des boulons de transport.

REMARQUE : Si la laveuse doit être transportée à une date ultérieure, appeler votre centre local de service. Pour éviter d'endommager la suspension et la structure de la laveuse, celle-ci doit être correctement réinstallée par un technicien certifié.

Raccordement des tuyaux d'alimentation

S'assurer que le tambour de la laveuse est vide.

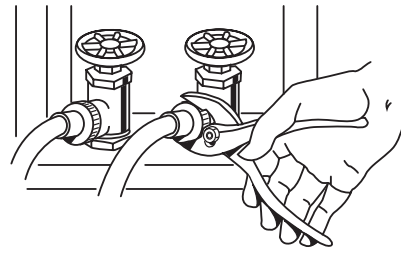
- Raccorder le tuyau à indicateur rouge à la valve du tuyau d'alimentation d'eau chaude (à gauche). Le fait d'attacher d'abord le tuyau à raccord rouge permet de resserrer plus facilement la connexion avec une pince. Visser complètement le raccord à la main pour qu'il comprime la rondelle.
- Raccorder le tuyau à indicateur bleu à la valve du tuyau d'alimentation d'eau froide (à droite). Visser complètement le raccord à la main pour qu'il comprime la rondelle.



H. Tuyau d'eau chaude
C. Tuyau d'eau froide

- À l'aide d'une pince, vérifier l'étanchéité des raccords de tuyaux déjà reliés à la laveuse.
REMARQUE : Ne pas serrer excessivement. Le raccord risque d'être endommagé.
- Raccorder le tuyau d'eau chaude au robinet d'eau chaude. Visser complètement le raccord à la main pour qu'il comprime la rondelle.
- Raccorder le tuyau d'eau froide au robinet d'eau froide. Visser complètement le raccord à la main pour qu'il comprime la rondelle.

- Terminer le serrage des raccords - deux tiers de tour avec une pince.



REMARQUE : Ne pas serrer excessivement. Le raccord risque d'être endommagé.

- Ouvrir les robinets d'eau et vérifier s'il y a des fuites.

REMARQUE : Remplacer les tuyaux d'arrivée d'eau après 5 ans d'utilisation pour réduire le risque de défaillance intempestive. Prendre note de la date d'installation ou de remplacement des tuyaux d'arrivée d'eau, pour référence ultérieure.

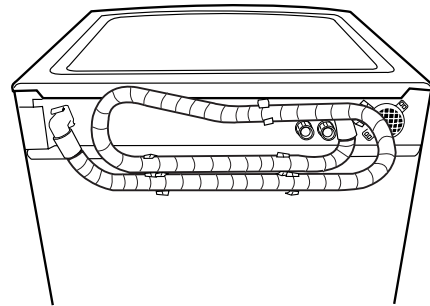
Inspecter périodiquement les tuyaux; les remplacer en cas de renflement, de déformation, de coupure, d'usure ou si une fuite se manifeste.

Acheminement du tuyau de vidange

Le bon acheminement du tuyau de vidange protège vos planchers contre les dommages imputables à une fuite d'eau. Lire et suivre ces instructions.

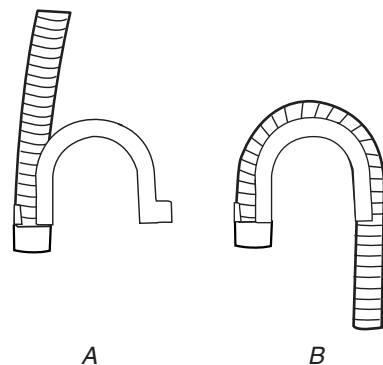
Libération du tuyau d'évacuation fixé sur la caisse

Tirer doucement pour dégager le tuyau d'évacuation (matériau ondulé) des agrafes d'arrimage.



Décharge de l'eau de lavage dans un évier de buanderie ou tuyau de rejet à l'égout

Connecter le support de tuyau sur le tuyau d'évacuation ondulé.



A. Emboîter une extrémité ou l'autre du support de tuyau sur le tuyau d'évacuation, au point de commencement des ondulations.

B. Plier le tuyau d'évacuation pour le mettre au contact du support de tuyau, et emboîter l'autre extrémité du support sur le tuyau.

Pour empêcher l'eau de vidange de refluer dans la laveuse :

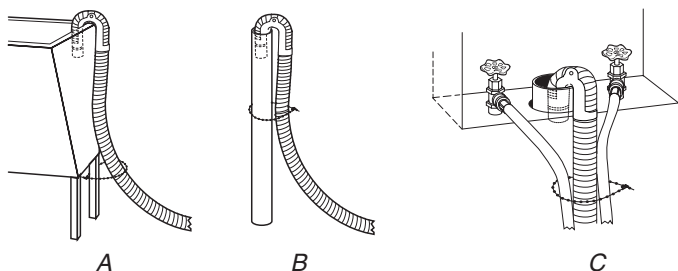
- Ne pas redresser le tuyau de vidange ni forcer l'excédent de tuyau dans le tuyau de rejet à l'égout. Le tuyau doit être bien immobilisé, tout en permettant le passage d'air.
- Ne pas mettre l'excédent du tuyau de vidange au fond de l'évier de buanderie.

Égout au plancher

Il vous faudra peut-être des pièces supplémentaires. Voir Vidange au plancher dans "Outillage et pièces".

Immobilisation du tuyau de vidange

1. Faire passer le cordon d'alimentation par-dessus la laveuse.
2. Fixer le tuyau de vidange au pied de l'évier de buanderie ou au tuyau rigide de rejet à l'égout avec la courroie perlée fournie. (Voir les illustrations A et B.)



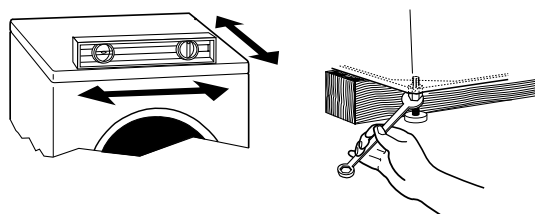
Si les robinets d'eau et le tuyau rigide de rejet à l'égout sont placés en retrait (voir l'illustration C), introduire l'extrémité en col de cygne du tuyau de vidange dans le tuyau rigide de rejet à l'égout. Attacher fermement les tuyaux d'arrivée d'eau et le tuyau de vidange ensemble, avec la courroie perlée.

Ne pas forcer l'excédent du tuyau de vidange dans le tuyau rigide de rejet à l'égout.

Réglage de l'aplomb de la laveuse

Un bon aplomb de la laveuse évite le bruit et les vibrations excessifs.

1. Vérifier l'aplomb en plaçant un niveau sur le bord supérieur de la laveuse, transversalement, puis dans le sens avant arrière.



Si la laveuse est contre un mur, la déplacer légèrement avant de l'incliner vers l'arrière. Si la laveuse n'est pas d'aplomb, soulever d'abord l'avant avec un bloc de bois et ajuster le déploiement des pieds selon le besoin, puis soulever l'arrière et ajuster le déploiement des pieds selon le besoin. Répéter ceci jusqu'à l'aplomb parfait de la laveuse.

2. S'assurer que les quatre pieds de nivellement sont bien stables et en contact avec le sol. Puis vérifier que l'appareil est parfaitement d'aplomb (à l'aide d'un niveau).

3. Après avoir réglé l'aplomb de la laveuse, utiliser une clé plate de 17 mm pour visser les écrous sur les pieds fermement contre la caisse de la laveuse.

IMPORTANT : Les 4 pieds doivent être bien serrés. Si les écrous ne sont pas bloqués contre la caisse de la laveuse, la laveuse peut vibrer.

La machine ne doit bouger ni d'avant en arrière, ni transversalement ou en diagonale, lorsque l'on pousse sur les bords de la plaque supérieure.

4. Faire glisser la laveuse à son emplacement final.
5. Confirmer l'aplomb de la laveuse.

Achever l'installation

1. Consulter les spécifications électriques. Vérifier que la tension électrique disponible est correcte et que la prise de courant est convenablement reliée à la terre. Voir "Spécifications électriques".
2. Vérifier que toutes les pièces sont installées. S'il reste une pièce, passer en revue les différentes étapes pour découvrir laquelle aurait été oubliée.
3. S'assurer d'avoir récupéré tous les outils.
4. Jeter ou recycler tous les matériaux d'emballage.
5. Vérifier que chaque robinet d'arrivée d'eau est ouvert.
6. Vérifier s'il y a des fuites autour des robinets et des tuyaux d'arrivée d'eau.

⚠ AVERTISSEMENT



Risque de choc électrique

Brancher sur une prise à 3 alvéoles reliée à la terre.

Ne pas enlever la broche de liaison à la terre.

Ne pas utiliser un adaptateur.

Ne pas utiliser un câble de rallonge.

Le non-respect de ces instructions peut causer un décès, un incendie ou un choc électrique.

7. Brancher sur une prise à 3 alvéoles reliée à la terre.
8. Lire "Utilisation de la laveuse".
9. Pour tester et nettoyer la laveuse, mesurer la moitié de la quantité normale recommandée de détergent en poudre ou liquide Haute efficacité (HE) pour une charge de taille moyenne. Verser le détergent dans le distributeur de détergent. Sélectionner EXPRESS WASH (lavage rapide), puis START (mise en marche). Laisser la machine exécuter un programme complet.



Utiliser uniquement un détergent "HE" Haute efficacité.

CARACTÉRISTIQUES ET AVANTAGES

Commandes électroniques audiovisuelles

Les commandes électroniques flexibles sont faciles à utiliser, que vous soyez débutant ou expert. Les témoins verts indiquent un programme, une option ou un modificateur sélectionné. Si un programme ou une option utilise STEAMCARE™, le témoin est alors bleu pour indiquer que la vapeur sera utilisée pendant le programme. Les témoins de couleur ambre indiquent les réglages des modificateurs disponibles pour le programme sélectionné. Si un réglage de modificateur est indisponible, le témoin ne s'allume pas. Les différents signaux sonores rendent la sélection des options et des modificateurs plus faciles.

Système supérieur de distribution de détergent

Les distributeurs intelligents rendent votre laveuse véritablement automatique. Cette laveuse comporte un distributeur à trois compartiments pour le détergent Haute efficacité "HE", l'assouplissant de tissu et l'agent de blanchiment liquide. Le distributeur peut être retiré facilement pour le nettoyage. Les produits de lessive sont distribués automatiquement au moment approprié durant le programme de lavage, ce qui évite à l'utilisateur de retourner à la laveuse durant le programme pour ajouter ces produits et s'assurer que ces produits de nettoyage atteignent leur efficacité maximale.

STEAM TREAT™ (traitement à la vapeur)

Cette laveuse comporte un module de vapeur incorporé qui est combiné à l'option STEAM TREAT™ (traitement par vapeur) afin de fournir des températures multiples pour favoriser l'enlèvement des taches variées de sur les vêtements.

Programme de nettoyage de la laveuse avec STEAMCARE™ (soin à la vapeur)

Ce programme utilise la vapeur pour augmenter la température de l'unité et rendre la laveuse autonettoyante, en libérant l'intérieur de la machine des saletés et autres résidus. L'utilisation d'agent de blanchiment liquide avec ce programme enlève et évite les résidus générant des odeurs.

Niveau d'eau automatique

En s'ajustant au volume de la charge, cette caractéristique permet à la laveuse d'utiliser la quantité d'eau minimum nécessaire au nettoyage et au rinçage des vêtements. Un faible niveau vous permet d'obtenir les mêmes résultats avec de plus petites quantités de produits de lessive. Étant donné que seule la quantité nécessaire d'eau est utilisée, la laveuse vous fait aussi économiser de l'énergie.

Volume de charge plus important

L'absence d'agitateur permet de laver des articles plus grands et plus encombrants tels qu'un sac de couchage de taille moyenne, un oreiller ou un couvre-lit de très grande taille. Vous pouvez aussi laver davantage de vêtements à la fois, ce qui signifie moins de charges.

Système de suspension

Pour réduire le "déplacement" ou le "déséquilibre" de la laveuse, celle-ci comprend :

- 2 ressorts pour isoler les vibrations
- 4 amortisseurs à la base de la laveuse pour minimiser le mouvement

Tambour en acier inoxydable

Le tambour en acier inoxydable élimine la corrosion et permet des vitesses d'essorage plus élevées pour une meilleure évacuation de l'eau, laquelle aide à réduire la durée de séchage.

Système de lavage Haute efficacité

Votre nouvelle laveuse à chargement frontal, haute efficacité, vous fait économiser du temps grâce à des charges plus importantes moins fréquentes. Elle conserve également les ressources et réduit vos factures d'eau et d'énergie.

Vitesses d'essorage

Cette laveuse sélectionne automatiquement une vitesse d'essorage en fonction du programme sélectionné. Ce réglage effectué à l'usine peut toutefois être modifié; il y a jusqu'à 5 choix différents de vitesse d'essorage.

Optimiseur thermique avec technologie de lavage intelligent

Le système de chauffage garantit que l'eau de lavage est chauffée à la température pré-réglée pour les programmes Normal/Casual (normal/tout-aller), Heavy Duty (service intense), Whitest Whites (blancs les plus blancs) et l'option STEAM TREAT™ (traitement par vapeur). Il fournit également la technologie de lavage intelligent avec un "nettoyage par étapes" pour l'option STEAM TREAT™ (traitement par vapeur). Le "nettoyage par étapes" débute le programme de lavage avec de l'eau tiède pour éliminer les taches.

Ajout de vêtements

Cette option est disponible avec tous les programmes de lavage sauf Rinse/Spin (rinçage/essorage), Drain/Spin (vidange/essorage) et Clean Washer (nettoyage de la laveuse). Lorsque cette option est disponible au début du programme, le témoin lumineux de l'état de l'élément "Add Clothes" (ajout de vêtements) s'allume pendant les 4-8 premières minutes. Cette laveuse octroie une période de 4-8 minutes pendant laquelle d'autres vêtements peuvent être ajoutés à la charge.

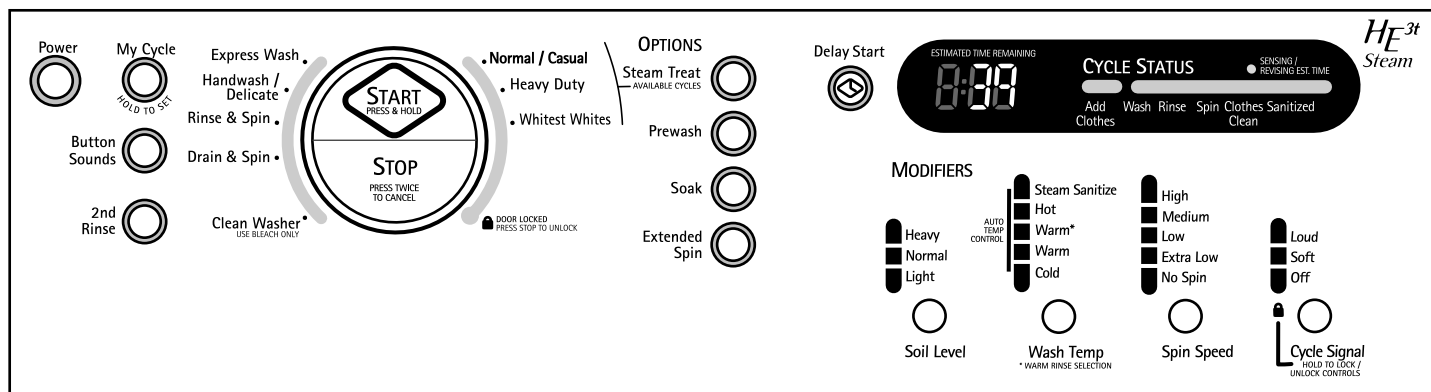
Action de lavage CATALYST®

Une solution de détergent concentrée est aspergée sur les vêtements au début du programme pour garantir que le détergent est en contact avec les vêtements dès que possible, ce qui aide à éliminer les taches sans prétraitement.

Équilibre dynamique

Un système d'équilibrage de précision qui permet à la laveuse d'atteindre des vitesses d'essorage jusqu'à 1 050 tr/min. La laveuse essore plus vite pour que les vêtements sortant de la laveuse sèchent plus rapidement. De plus, si le système d'équilibre dynamique détecte des charges déséquilibrées durant l'essorage, il redistribue les vêtements de façon à ce qu'ils soient répartis uniformément.

UTILISATION DE LA LAVEUSE



Mise en marche de la laveuse

AVERTISSEMENT



Risque d'incendie

Ne jamais mettre des articles humectés d'essence ou d'autres fluides inflammables dans la laveuse.

Aucune laveuse ne peut complètement enlever l'huile.

Ne pas faire sécher des articles qui ont été salis par tout genre d'huile (y compris les huiles de cuisson).

Le non-respect de ces instructions peut causer un décès, une explosion ou un incendie.

AVERTISSEMENT : Pour réduire le risque d'incendie, de choc électrique ou de blessures corporelles, lire les INSTRUCTIONS IMPORTANTES DE SÉCURITÉ avant de faire fonctionner cet appareil.

Le texte suivant est un guide pour l'utilisation de la laveuse. Veuillez vous référer aux sections spécifiques de ce manuel pour obtenir des renseignements plus détaillés.

Ne pas remiser des produits de lessive sur le dessus de cette laveuse. Il est normal d'observer des vibrations durant le fonctionnement.

Utilisation du détergent approprié

Utiliser uniquement des détergents Haute efficacité. Pour ce type de détergent, "HE" ou "Haute efficacité" sera mentionné sur l'emballage. Ce système de lavage, utilisant moins d'eau, provoquera trop de mousse avec un détergent ordinaire non HE. L'utilisation d'un détergent ordinaire est susceptible d'occasionner des erreurs de la part de la laveuse, des durées de programmes plus longues et une performance de rinçage réduite. Ceci peut aussi entraîner des défaillances des composants et une moisissure perceptible. Les détergents HE sont conçus pour produire la quantité de mousse adéquate pour

le meilleur rendement. Suivre les recommandations du fabricant pour déterminer la quantité de détergent à utiliser.



Utiliser uniquement un détergent "HE" Haute efficacité.

Premier programme de lavage sans linge

Avant de laver les vêtements pour la première fois, choisir le programme Express Wash (lavage rapide) et l'exécuter sans linge (si cela n'a pas déjà été fait au cours de l'étape d'installation finale). Utiliser uniquement un détergent HE Haute efficacité. Utiliser la moitié de la quantité recommandée par le fabricant pour une charge de taille moyenne. Ce programme préalable sert à garantir que l'intérieur est propre avant de laver des vêtements.

Pour tous les programmes de lavage

- Ouvrir la porte de la laveuse en tirant sur la poignée. Trier le linge d'après la couleur et le type de tissu. Placer une charge de linge trié dans la laveuse. Ne pas surcharger la laveuse. Une surcharge peut causer un nettoyage médiocre.
 - La laveuse peut être bien remplie mais le linge ne doit pas être tassé. La porte de la laveuse doit fermer facilement.
 - Mélanger les gros et les petits articles. Éviter de laver un article seul. Charger la laveuse uniformément.
 - Laver les petits articles tels que les chaussettes d'enfants dans un sac en filet pour le linge. Il est recommandé d'utiliser plus d'un sac de linge et de remplir chaque sac avec des quantités similaires de linge.
 - Lorsqu'on retire le linge, vérifier sous le joint de couleur grise à l'avant de la cuve qu'il n'y ait pas de petits articles coincés.
- Fermer la porte de la laveuse en la poussant fermement jusqu'à ce que le verrou s'enclenche. La porte de la laveuse demeurera verrouillée durant le programme de lavage.

REMARQUES :

- Lorsqu'un programme de lavage est terminé, la porte doit être ouverte puis refermée avant qu'un nouveau programme puisse commencer.

- La porte peut être ouverte seulement si STOP (arrêt) a été sélectionné alors que le témoin ADD CLOTHES (ajout de vêtements) était allumé ou si le programme a été annulé.
 - Voir “Pour annuler un programme” dans la section “Changement de programmes, options et modificateurs”.
3. Ouvrir le tiroir distributeur et verser les produits de lessive dans les compartiments de détergent, d'agent de blanchiment ou d'assouplissant de tissu. Fermer le tiroir lentement pour éviter les renversements. Voir “Utilisation du distributeur”.
 4. Mettre la laveuse en marche en sélectionnant POWER (alimentation). Sélectionner un des programmes en tournant le sélecteur de programme. Le témoin lumineux correspondant au programme sélectionné s'allumera. Lors de la sélection d'un programme de lavage, les modificateurs pré-réglés (niveau de saleté, température de lavage et vitesse d'essorage) pour le programme sont allumés. Les réglages des modificateurs disponibles s'allument d'une couleur ambre. Si une option ou un modificateur est indisponible avec le programme sélectionné, le témoin ne s'allume pas. Les pré-réglages procurent les soins aux tissus recommandés pour le programme sélectionné. L'afficheur indique la durée résiduelle estimée. Voir “Programmes”.
 5. Sélectionner les OPTIONS désirées. Toutes les options ne sont pas disponibles avec tous les programmes. Voir “Options”.
 6. Sélectionner les MODIFICATEURS désirés. Tous les modificateurs ne sont pas disponibles avec tous les programmes et toutes les options. Voir “Modificateurs”.
 7. Si désiré, sélectionner le CYCLE SIGNAL (signal de programme). Le signal est utile lorsque vous lavez des articles qui doivent être enlevés de la laveuse aussitôt qu'elle s'arrête. Sélectionner LOUD (fort), SOFT (faible) ou OFF (désactivé).

8. **Pour commencer le programme de lavage immédiatement**
Sélectionner START (pendant 1 seconde environ).
 - Si vous n'appuyez pas sur START (mise en marche) dans les 5 minutes qui suivent le choix d'un programme, la laveuse s'éteint automatiquement.
 - Lorsque le programme de lavage est terminé, le témoin lumineux CLOTHES CLEAN s'allume, la porte se déverrouille et la charge peut être retirée de la laveuse. La laveuse s'éteint automatiquement 60 minutes après la fin du programme et le témoin CLOTHES CLEAN s'éteint.

9. **Pour commencer le programme de lavage ultérieurement**
Sélectionner DELAY START (lavage différé) jusqu'à ce que la durée de délai désirée (en heures) soit indiquée sur l'afficheur de la durée résiduelle estimée. Sélectionner START (mise en marche). Le compte à rebours jusqu'au programme de lavage s'affiche sur la fenêtre, et l'indicateur du bouton clignote jusqu'à ce que le programme commence.

IMPORTANT : En cas de mise en marche différée d'un programme, utiliser seulement des détergents en poudre dans le compartiment de lavage principal car les détergents liquides risquent de suinter hors du compartiment avant le début du programme de Delay Start (lavage différé).

Utilisation du distributeur

Votre nouvelle laveuse comporte un tiroir distributeur avec trois compartiments pour les produits de lessive – un pour le détergent haute efficacité, un pour l'agent de blanchiment liquide et un pour l'assouplissant de tissu liquide. Les produits de lessive sont dilués et distribués automatiquement au moment approprié durant le programme de lavage, ce qui évite à l'utilisateur de retourner à la laveuse durant le programme pour ajouter ces produits.

Il est normal que de petites quantités d'eau demeurent dans les distributeurs lorsque le programme de lavage est achevé.

Ne pas placer de produits de lessive directement dans la cuve de lavage. Toujours utiliser les distributeurs appropriés pour ajouter les produits de lessive.

Choix du détergent approprié

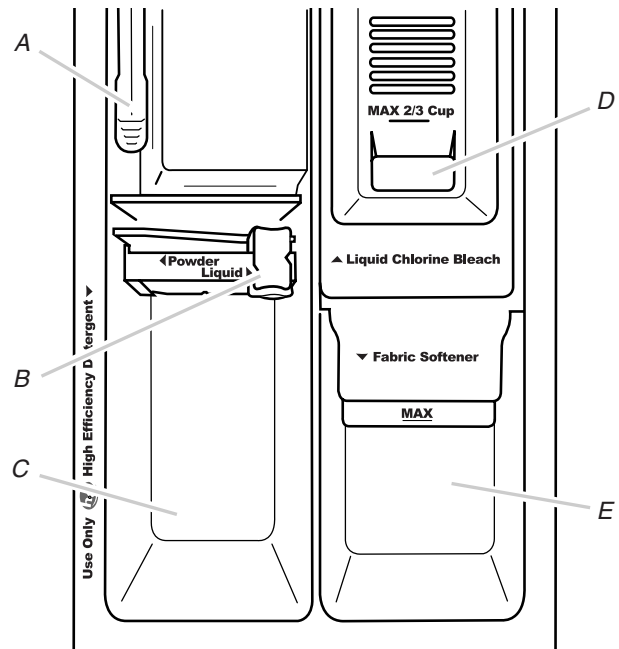
Utiliser uniquement des détergents Haute efficacité. Pour ce type de détergent, “HE” ou “Haute efficacité” sera mentionné sur l'emballage. Ce système de lavage, utilisant moins d'eau, provoquera trop de mousse avec un détergent ordinaire non HE. L'utilisation d'un détergent ordinaire est susceptible d'occasionner des erreurs de la part de la laveuse, des durées de programmes plus longues et une performance de rinçage réduite. Ceci peut aussi entraîner des défaillances des composants et une moisissure perceptible. Les détergents HE sont conçus pour produire la quantité de mousse adéquate pour le meilleur rendement. Suivre les recommandations du fabricant pour déterminer la quantité de détergent à utiliser.



Utiliser uniquement un détergent “HE” Haute efficacité.

Pour remplir les compartiments du distributeur

1. Tirer le tiroir distributeur.
2. Verser le produit de lessive désiré dans le compartiment approprié.
3. Enfoncer le tiroir distributeur lentement et complètement (pour éviter les renversements).



Distributeur

- A. Levier de dégagement du tiroir distributeur
- B. Sélecteur du type de détergent
- C. Compartiment pour détergent Haute efficacité “HE”
- D. Compartiment pour agent de blanchiment
- E. Compartiment pour assouplissant de tissu

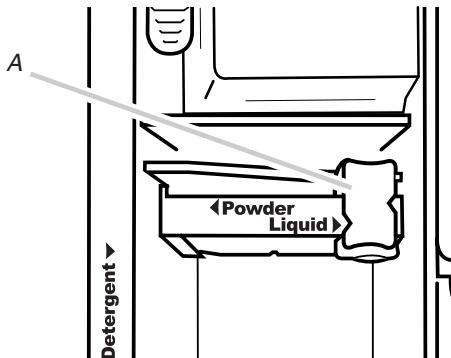
Compartiment pour détergent Haute efficacité "HE"

(Lettres B et C sur l'illustration du distributeur)

Verser le détergent HE liquide ou en poudre dans ce compartiment pour le programme de lavage. Le sélecteur de type de détergent (B) doit toujours être placé dans la bonne position pour le type de détergent utilisé. Faire glisser le sélecteur du type de détergent en position correcte.

IMPORTANT : En cas d'utilisation de l'option de mise en marche différée, on doit utiliser un détergent en poudre dans le compartiment car les détergents liquides sont susceptibles de couler hors du compartiment, avant même le début du lavage.

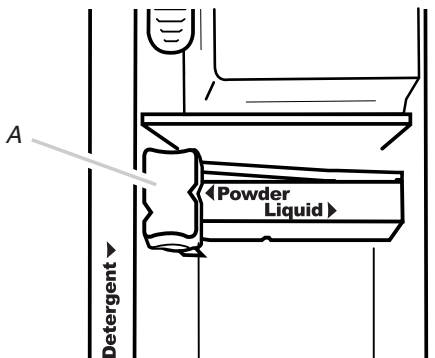
- Utiliser la quantité recommandée par le fabricant en fonction de la taille de la charge.
- Détergent liquide :



Sélecteur en position pour le détergent liquide

A. Sélecteur du type de détergent

- Détergent en poudre :



Sélecteur en position pour le détergent en poudre

A. Sélecteur du type de détergent

Compartiment pour agent de blanchiment

(Lettre D sur l'illustration du distributeur)

Ne pas verser plus de $\frac{2}{3}$ de tasse (160 mL) d'agent de blanchiment liquide dans ce compartiment. L'agent de blanchiment sera automatiquement dilué et distribué au moment approprié au cours du premier rinçage après le programme de lavage. Ce compartiment ne peut diluer un agent de blanchiment en poudre.

- Toujours mesurer la quantité d'agent de blanchiment liquide. Utiliser une tasse à mesurer avec un bec verseur; ne pas utiliser une quantité approximative. Suivre les instructions du fabricant pour une utilisation appropriée.
- Ne pas remplir au-delà du niveau "MAX".

REMARQUE : Un remplissage excessif pourrait causer des dommages aux vêtements.

Compartiment pour assouplissant de tissu

(Lettre E sur l'illustration du distributeur)

Verser une quantité mesurée d'assouplissant de tissu liquide dans le distributeur d'assouplissant de tissu, si désiré.

- Ne pas remplir excessivement. La capacité du distributeur d'assouplissant de tissu est de $\frac{1}{2}$ de tasse (60 mL).
- L'assouplissant de tissu est distribué au cours du programme de rinçage. Si 2nd Rinse (2nd rinçage) est sélectionné, l'assouplissant de tissu sera distribué au cours du 2nd rinçage.
- Ne pas utiliser de boules distributrices d'assouplissant de tissu dans cette laveuse. Les boules distributrices ne fonctionnent pas correctement avec cette laveuse.
- Ne pas renverser ou faire couler d'assouplissant de tissu sur les vêtements.
- À la fin du programme, il est possible qu'une petite quantité d'eau reste dans le distributeur. Ceci est normal.

REMARQUE : Utiliser seulement de l'assouplissant de tissu liquide dans ce distributeur.

Pause ou remise en marche

1. Pour mettre la laveuse en pause à tout moment, sélectionner STOP (arrêt).
2. Pour poursuivre le programme, sélectionner START (pendant environ 1 seconde).

Changement des programmes, options et modificateurs

Toutes les options et tous les modificateurs ne sont pas disponibles avec tous les programmes. Les modificateurs disponibles s'allument. Les options sélectionnables s'allument d'une couleur ambrée. Si une option ou un modificateur est indisponible avec le programme sélectionné, le témoin ne s'allume pas. Une fois qu'une option ou un modificateur est sélectionné(e), elle/il s'allume en vert. Les options ou modificateurs sélectionnés s'allument en vert.

Les programmes, options et modificateurs peuvent être changés à tout moment tant que START (mise en marche) n'a pas été sélectionné.

Pour annuler un programme et en sélectionner un autre

1. Sélectionner deux fois STOP (arrêt).
2. Sélectionner POWER.
3. Sélectionner le programme désiré.
4. Sélectionner les OPTIONS et les MODIFICATEURS désirés. Toutes les options et tous les modificateurs ne sont pas disponibles avec tous les programmes. Voir "Guide de lessivage".
5. Sélectionner START (pendant environ 1 seconde) pour remettre la laveuse en marche au début du nouveau programme.

Pour annuler un programme

1. Sélectionner deux fois STOP (arrêt).
2. La laveuse s'éteint, la porte se déverrouille et les vêtements peuvent être retirés.

REMARQUE : Si le niveau d'eau ou la température est trop élevé(e), la laveuse effectuera automatiquement une vidange avant le déverrouillage de la porte.

Pour changer les options ou les modificateurs lorsque le programme a commencé

1. Sélectionner une fois STOP (arrêt).
2. Sélectionner les OPTIONS et les MODIFICATEURS désirés. Toutes les options et tous les modificateurs ne sont pas disponibles avec tous les programmes. Voir "Guide de lessivage".
3. Appuyer sur la touche START (pendant environ 1 seconde) pour poursuivre le programme.

Pour vidanger la laveuse manuellement

1. Sélectionner deux fois STOP (arrêt) pour annuler le programme de lavage.
2. Sélectionner POWER.
3. Sélectionner DRAIN & SPIN (vidange et essorage).
4. Sélectionner START (pendant environ 1 seconde) pour commencer la vidange.
5. Lorsque l'essorage est terminé, la porte se déverrouille. Les articles peuvent être retirés de la laveuse.

Témoins lumineux

Ces témoins lumineux indiquent quelle partie du programme la laveuse est en train d'effectuer. Ils peuvent aussi indiquer à quel moment vous pouvez ajouter un article supplémentaire et à quel moment les commandes sont verrouillées.



Ajout de vêtements après que le programme de lavage a débuté

Cette laveuse octroie une période de 4-8 minutes pendant laquelle d'autres vêtements peuvent être ajoutés à la charge tout en étant bien nettoyés. Vous pouvez ajouter des articles dans la laveuse tant que le témoin lumineux ADD CLOTHES est allumé.

Pour ajouter des articles lorsque le témoin ADD CLOTHES est allumé

1. Sélectionner une fois STOP (arrêt). La laveuse fait une pause, la porte de la laveuse se déverrouille et les articles peuvent être ajoutés.
2. Pour poursuivre le programme, fermer la porte et sélectionner START (pendant environ 1 seconde).

Pour ajouter des articles lorsque le témoin ADD CLOTHES n'est pas allumé

1. Annuler le programme en cours en appuyant deux fois sur STOP (arrêt). Ceci annule le programme de lavage et les options. La porte de la laveuse se déverrouille et les articles peuvent être ajoutés.
2. Fermer la porte et sélectionner le nouveau programme et les nouvelles options. Sélectionner START (pendant 1 seconde environ).

REMARQUES :

- Lorsqu'on sélectionne un nouveau programme, ne pas verser de détergent supplémentaire.
- L'ajout d'un article après l'extinction du témoin "Add Clothes" peut empêcher le nettoyage correct de cet article.

Clothes Clean (linge propre)

Lorsque le programme de lavage est terminé, le témoin lumineux CLOTHES CLEAN s'allume, la porte se déverrouille et la charge peut être retirée de la laveuse. La laveuse s'éteint automatiquement 60 minutes après la fin du programme et le témoin CLOTHES CLEAN s'éteint.

Sanitized (assainissement)

Cette laveuse Kenmore a une température d'assainissement homologué par NSF International, une organisation tierce indépendante d'homologation et d'évaluation. L'homologation vérifie que le programme d'assainissement réduit de 99,9 % les bactéries généralement présentes dans les vêtements, la literie et les serviettes, et qu'il n'y a pas de transfert de bactérie entre les charges une fois que le programme est achevé.

Si la température de lavage "Steam Sanitize" (assainissement par vapeur) est sélectionnée, une fois que le programme de lavage est terminé, le témoin lumineux SANITIZED s'allume, (le témoin CLOTHES CLEAN s'allume en vert), la porte se déverrouille et la charge peut être retirée de la laveuse. La laveuse s'éteint automatiquement 60 minutes après la fin du programme et les témoins SANITIZED et CLOTHES CLEAN s'éteignent.



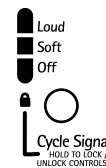
Certifié pour aseptiser

Verrouillage des commandes

La fonction Control Lock (verrouillage des commandes) évite l'utilisation involontaire de la laveuse. Vous pouvez aussi utiliser la caractéristique de verrouillage des commandes pour éviter des changements involontaires de programme ou d'option durant un programme. Lorsque CONTROL LOCKED (commandes verrouillées) est allumé, tous les boutons sont désactivés à l'exception de STOP (arrêt) et START (mise en marche). Les commandes peuvent être verrouillées après le début d'un programme ou avant d'appuyer sur POWER.

Pour verrouiller les commandes

Appuyer sur CYCLE SIGNAL (signal de programme) pendant 3 secondes après le début du programme ou lorsque la laveuse est éteinte.



Le témoin lumineux à côté du bouton CYCLE SIGNAL s'allume.

Pour déverrouiller les commandes

Sélectionner CYCLE SIGNAL (signal de programme) pendant 3 secondes jusqu'à ce que le témoin lumineux s'éteigne.

REMARQUE : Pour verrouiller ou déverrouiller les commandes lorsque la laveuse est éteinte, appuyer sur CYCLE SIGNAL pendant 3 secondes.

Door Locked (porte verrouillée)

Lorsque le témoin lumineux s'allume, la porte est verrouillée.

Sensing/Revising Est. Time (témoin de détection/estimation de la durée)

Les durées de programme varient automatiquement en fonction de la pression et de la température de l'eau, du détergent et de la charge de linge.

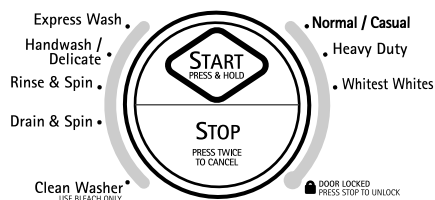
La laveuse détecte automatiquement la progression du programme et ajuste l'affichage de la durée restante estimée. Pendant la détection, la durée estimée clignote et le témoin lumineux de détection/estimation de la durée s'allume. Quand la détection est terminée, le clignotement s'arrête, le témoin lumineux s'éteint et l'affichage de la durée restante estimée est mis à jour.

La durée du programme sera prolongée en cas d'excès de mousse ou si la charge est déséquilibrée. La procédure contre la mousse (SUD) élimine l'excès de mousse et permet un rinçage correct de vos vêtements. Voir "Dépannage". Pendant la procédure de rééquilibrage, l'affichage de la durée peut se mettre en pause jusqu'à ce que cette activité soit terminée, puis il est réactivé pour le reste du programme.

Programmes

Programmes

Choisir le programme de lavage en tournant le bouton de sélection. Le témoin lumineux du programme s'allume une fois le programme sélectionné. Chaque programme est conçu pour différents types de tissu et niveaux de saleté. Les témoins lumineux des modificateurs, situés sur le côté droit du tableau, changent en fonction des programmes sélectionnés.



- Chaque programme comporte un niveau de saleté (durée estimée du programme), une température de l'eau et une vitesse d'essorage pré-réglés et peut comporter des options pré-réglées. Les pré-réglages procurent les soins aux tissus recommandés pour le programme sélectionné.
- Les pré-réglages de programme s'allument en vert pour indiquer les options et modificateurs présélectionnés; ils peuvent être modifiés à tout moment tant que START (mise en marche) n'a pas été sélectionné. Toutes les options et tous les modificateurs ne sont pas disponibles avec tous les programmes. Les modificateurs disponibles s'allument d'une couleur ambré. (Pour modifier les réglages après le début d'un programme, sélectionner une fois STOP (arrêt) puis sélectionner les réglages désirés. Appuyer sur la touche START [pendant environ 1 seconde] pour poursuivre le programme.)

Préréglages de programme

Chaque programme comporte une durée de programme, une température de l'eau et une vitesse d'essorage pré-réglées. Les pré-réglages procurent les soins aux tissus recommandés pour le programme sélectionné. Voir le tableau.

Programme	Niveau de saleté (hr:min)	Temp. de l'eau (lavage/rinçage)	Vitesse d'essorage
Express Wash (lavage rapide) (2-3 articles)	Léger (0:30)	Warm/Cold (tiède/froide)	High (élevée)
Handwash/Delicate (lavage à la main/articles délicats)	Normal (0:35)	Cold/Cold (froide/froide)	Low (basse)
Rinse & Spin (rinçage et essorage)	N/A (0:22)	Cold/Cold (froide/froide)	High (élevée)
Drain & Spin (vidange et essorage)	N/A (0:13)	N/A	High (élevée)
Clean Washer (nettoyage de la laveuse)	N/A (1:05)	N/A	N/A
Whitest Whites (blancs les plus blancs)	Très sale (1:30)	Hot/cold (chaude/froide)	High (élevée)
Heavy Duty (service intense)	Très sale (1:20)	Hot/cold (chaude/froide)	High (élevée)
Normal/Casual (normal/tout-aller)	Normal (0:50)	Warm/cold (tiède/froide)	High (élevée)
Soak (trempage)	Normal (0:30)	Warm (tiède)	Pas d'essorage

Modification des pré-réglages de programme

Appuyer sur le sélecteur de chaque réglage disponible jusqu'à ce que le réglage désiré s'allume en vert.

Express Wash (lavage rapide)

Utiliser ce programme pour laver des petites charges de 2-3 articles légèrement sales dont on a besoin rapidement. Ce programme combine un culbutage à vitesse rapide, une durée de lavage plus courte et un essorage à vitesse élevée pour réduire la durée de séchage. Les grandes charges prolongent la durée de lavage.

Handwash/Delicate (lavage à la main/articles délicats)

Utiliser ce programme pour nettoyer les articles lavables à la main et les vêtements ultra-délicats. (Consulter les consignes de l'étiquette pour s'assurer que le vêtement est lavable.) Ce programme combine un culbutage délicat et un essorage à basse vitesse pour nettoyer les vêtements en douceur et réduire le froissement au minimum.

- Utiliser des sacs en filet pour laver les sous-vêtements tels que les soutiens-gorge à armature, les articles avec ficelles et les articles de petite taille tels que les chaussettes d'enfants.
- Les détergents en poudre peuvent ne pas se dissoudre correctement durant un programme à basse vitesse. Pour des résultats optimaux, utiliser un détergent liquide pour les programmes à basse vitesse.

Rinse & Spin (rinçage et essorage)

Utiliser ce programme pour rincer, vidanger et essorer la charge de lavage. Ce programme combine un culbutage à vitesse élevée et un essorage à vitesse élevée. On peut réduire la vitesse d'essorage en sélectionnant la vitesse souhaitée à partir du modificateur SPIN SPEED (vitesse d'essorage).

Le programme Rinse & Spin est utile pour

- Les charges qui nécessitent un rinçage uniquement.
- Ajouter de l'assouplissant de tissu à une charge en utilisant le distributeur d'assouplissant de tissu.

Drain & Spin (vidange et essorage)

Utiliser ce programme pour vidanger la laveuse ou pour vidanger et essorer la charge de lavage. La vitesse d'essorage est pré-réglée à High (élevée). On peut réduire la vitesse d'essorage en sélectionnant la vitesse souhaitée à partir du modificateur SPIN SPEED (vitesse d'essorage).

REMARQUE : Les charges de vêtements synthétiques, tissus délicats, articles lavables à la main et lainages doivent être vidangés sans essorage ou avec essorage à basse vitesse pour ne pas déformer les tissus.

Clean Washer (nettoyage de la laveuse)

Utiliser le programme Clean Washer une fois par mois pour conserver l'intérieur de la laveuse frais et propre. Ce programme utilise un niveau d'eau plus élevé en combinaison avec l'agent de blanchiment liquide et la vapeur pour nettoyer à fond l'intérieur de la laveuse. Ne pas interrompre ce programme. Voir "Nettoyage de la laveuse" dans la section "Entretien de la laveuse".

IMPORTANT : Ne pas placer de vêtements ou autres articles dans la laveuse pendant le programme Clean Washer. Utiliser ce programme avec un tambour de lavage vide.

Whitest Whites (blancs les plus blancs)

Ce programme est spécialement conçu pour le nettoyage de charges de linge blanc sale avec ajout d'agent de blanchiment. Les températures de lavage élevées assurent un fonctionnement optimal de l'agent de blanchiment. Un rinçage supplémentaire fournit une performance de rinçage optimale pour éviter les résidus de chlore sur votre lessive. Ce programme combine un culbutage à vitesse rapide, une durée de lavage prolongée et un essorage à vitesse élevée pour réduire la durée de séchage.

Heavy Duty (service intense)

Utiliser ce programme pour laver des charges de vêtements robustes, aux couleurs grand teint et très sales. Ce programme combine un culbutage à vitesse rapide, une durée de lavage prolongée et un essorage à vitesse élevée pour réduire la durée de séchage. Si la température de l'eau est inférieure à celle nécessaire pour ce programme, le chauffe-eau réchauffera l'eau à la température idéale.

Normal/Casual (normal/tout-aller)

Utiliser ce programme pour laver des charges de tissus qui ne se repassent pas tels que chemises de sport, chemisiers, vêtements de travail tout-aller, mélanges à pressage permanent, coton et linge de maison et tissus synthétiques. Ce programme combine un culbutage à vitesse moyenne, un essorage à vitesse élevée et un processus de refroidissement de la charge pour réduire le froissement.

REMARQUE : Pour un meilleur rendement énergétique, utiliser le programme Normal/Casual (normal/tout-aller).

Soak (trempage)

Utiliser le programme Soak pour retirer les petites taches des tissus. Ce programme fournit jusqu'à 30 minutes de trempage dans de l'eau tiède ou froide, suivi d'une vidange. La quantité supplémentaire d'eau, la courte phase de culbutage pour une distribution uniforme de la lessive, et la période de trempage sans mouvement du tambour permettent une élimination plus efficace des taches. La vidange sans essorage prend soin des articles, même les plus délicats.

Utilisation du programme de trempage : Le programme de trempage comporte une période de trempage dans l'eau tiède ou froide, suivie d'une vidange.

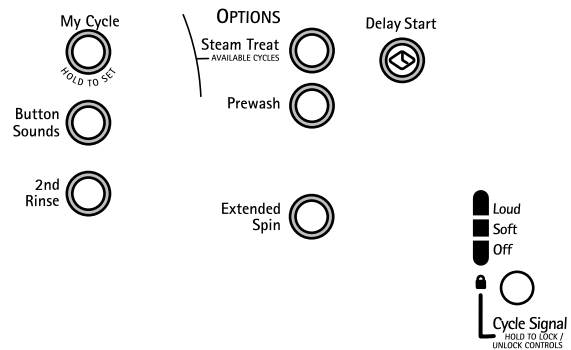
1. Verser le détergent seulement dans le compartiment pour détergent Haute efficacité "HE" du tiroir distributeur.
2. Appuyer sur le bouton SOAK (trempage).
3. Choisir la température de trempage désirée.
4. Appuyer sur la touche START (mise en marche) (pendant 1 seconde environ).

Sons normaux émis par la laveuse

Comme pour tout appareil neuf, vous entendrez des sons auxquels vous n'êtes pas habitué. Vous pouvez entendre différents sons lors du verrouillage/déverrouillage de la porte et durant le processus de lavage, rinçage ou essorage. Entre les changements dans les actions de lavage, la laveuse fera des pauses momentanées. Vous entendrez l'éclaboussement de l'eau pendant les programmes de lavage et de rinçage. Ces nouveaux sons et pauses font partie du fonctionnement normal de la laveuse. (Voir "Dépannage".)

Options

Vous pouvez personnaliser votre lavage en ajoutant des options à vos sélections de programme. Vous pouvez ajouter ou modifier une option après le début d'un programme à tout moment avant la mise en marche de l'option sélectionnée. Toutes les options ne sont pas disponibles avec tous les programmes. Les sélections en cours s'allument en vert. Si une option est indisponible avec un programme sélectionné, le témoin ne s'allume pas.



- Consulter la section "Guide de lessivage" pour un aperçu des options possibles pour chaque sélection de programme de lavage.
- Vous pouvez choisir plusieurs options par programme. Certaines options ne peuvent être sélectionnées avec certains programmes. Par exemple, l'option STEAM TREAT™ est incompatible avec le programme Express Wash (lavage rapide).
- Si une option n'est pas disponible avec un programme sélectionné, 3 brefs signaux sonores sont émis et le témoin lumineux de cette option ne s'allume pas au moment de la sélection.

My Cycle (mon programme)

Le programme My Cycle vous permet d'enregistrer un programme de lavage personnalisé pour une utilisation ultérieure.

Pour personnaliser un programme de lavage :

1. Sélectionner un programme.
2. Sélectionner les OPTIONS désirées.
3. Sélectionner les MODIFICATEURS désirés.
4. Pour enregistrer le programme, appuyer sur MY CYCLE (environ 3 secondes) jusqu'à ce qu'un signal sonore retentisse.
5. Appuyer sur START (mise en marche).
6. Pour réutiliser ce programme, sélectionner MY CYCLE et appuyer sur START.

Button Sounds (sons des boutons)

Les sons des boutons sont utilisés pour indiquer ce qui a été sélectionné ou faire savoir que quelque chose n'est pas disponible. Les sons des boutons peuvent être activés ou désactivés en sélectionnant BUTTON SOUNDS.

2nd Rinse (2nd rinçage)

Un second rinçage peut être effectué pour favoriser l'élimination des résidus de détergent ou d'agent de blanchiment sur les vêtements. Cette option fournit un rinçage supplémentaire avec une eau à la même température que pour le rinçage normal. Il s'agit du réglage de rinçage par défaut pour le programme Whitest Whites (blancs les plus blancs). Lorsqu'on sélectionne 2nd Rinse (second rinçage), l'indicateur du bouton s'allume en vert.

STEAM TREAT™ (traitement par vapeur)

Utiliser cette option pour les charges de vêtements très sales qui nécessitent un traitement renforcé contre les taches, les charges comportant différents types de taches ou les charges que vous soupçonnez d'être tachées mais qui n'ont peut être pas été détectées (pas de triage ou de recherche de taches). Lorsque l'option STEAM TREAT™ (traitement par vapeur) est sélectionnée, la température de l'eau du programme de lavage sélectionné est automatiquement réglée à tiède. L'eau est alors lentement chauffée à la température sélectionnée, de même que la vapeur, pour favoriser l'enlèvement des taches. Cette option est celle qui enlève le mieux les taches organiques, telles que le sang. Cette option est disponible avec les programmes suivants : Normal/Casual (normal/tout-aller), Heavy Duty (service intense), Whitest Whites (blancs les plus blancs).

Prewash (prélavage)

Utiliser cette option pour des charges d'articles très sales qui nécessitent un prétraitement. Cette option ajoute une période de prélavage de 20 minutes sans vidange au programme de lavage principal.

Verser le détergent seulement dans le compartiment pour détergent Haute efficacité "HE" du tiroir distributeur.

REMARQUE : L'option Prewash (prélavage) ne peut pas être sélectionnée avec les programmes Soak (trempage), Express (lavage rapide), Handwash/Delicate (lavage à la main/articles délicats) et Rinse/Spin (rinçage/essorage).

Extended Spin (essorage prolongé)

Utiliser cette option pour ajouter un essorage supplémentaire à n'importe quel programme pour réduire les durées de séchage pour certains tissus lourds ou les articles nécessitant un soin spécial en réduisant l'excès d'eau, ce qui peut faire économiser de l'énergie.

Delay Start (mise en marche différée)

Pour différer la mise en marche d'un programme, sélectionner DELAY START jusqu'à ce que la durée différée désirée (en heures) soit indiquée sur l'afficheur de la durée résiduelle estimée, puis sélectionner START. Le compte à rebours jusqu'au programme de lavage s'affiche sur la fenêtre, et l'indicateur du bouton clignote jusqu'à ce que le programme commence.

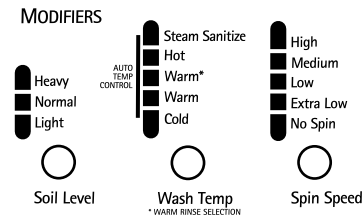
IMPORTANT : En cas de mise en marche différée d'un programme, utiliser seulement des détergents en poudre dans le compartiment de lavage principal car les détergents liquides risquent de suinter hors du compartiment avant le début du programme de lavage.

Cycle signal (signal de programme)

Ce signal est utile lorsqu'on retire les articles de la laveuse aussitôt qu'elle s'arrête. Sélectionner Loud (fort), Soft (doux) ou Off (désactivé).

Modificateurs

Les pré-réglages pour la température de l'eau, la vitesse d'essorage et les options de rinçage peuvent être modifiés. Vous pouvez changer un modificateur après le début d'un programme à tout moment avant la mise en marche du modificateur sélectionné. Tous les modificateurs ne sont pas disponibles avec toutes les options et tous les programmes. Les réglages des modificateurs disponibles s'allument d'une couleur ambrée. Les sélections en cours s'allument en vert. Si une option est indisponible avec un programme sélectionné, le témoin ne s'allume pas.



- Pour modifier la durée du programme, sélectionner le bouton SOIL LEVEL (niveau de saleté).
- Pour modifier la température de l'eau, sélectionner le bouton WASH TEMP jusqu'à ce que le réglage désiré s'allume en vert.
- Pour modifier la vitesse d'essorage, sélectionner le bouton SPIN SPEED jusqu'à ce que le réglage désiré s'allume en vert.

Wash Temp (température de lavage)

Sélectionner une température de l'eau selon le type de charge à laver. Utiliser l'eau de lavage la plus chaude sans danger pour les tissus. Suivre les instructions figurant sur l'étiquette des vêtements.

- Cette laveuse Kenmore a une température d'assainissement homologué par NSF International, une organisation tierce indépendante d'homologation et d'évaluation. L'homologation vérifie que le programme d'assainissement réduit de 99,9 % les bactéries généralement présentes dans les vêtements, la literie et les serviettes, et qu'il n'y a pas de transfert de bactérie entre les charges une fois que le programme est achevé.



Certifié pour aseptiser

- La température Steam Sanitize (assainissement par vapeur) fournit une température très élevée pour éliminer 99,9 % de certaines bactéries. Il est recommandé de régler le chauffe-eau à 120°F (49°C) pour assurer un rendement efficace pendant ce programme.
- La température Steam Sanitize (assainissement par vapeur) utilise des températures d'eau élevées. Consulter l'étiquette du vêtement pour éviter de l'endommager.
- Dans les températures d'eau de lavage plus froides que 60°F (15,6°C), les détergents ne se diluent pas bien. Les saletés peuvent être difficiles à enlever.

Les rinçages à l'eau tiède permettent un meilleur séchage que les rinçages à froid. Les rinçages à l'eau tiède augmentent le froissement. Dans les climats froids, un rinçage à l'eau tiède facilite la manipulation de la charge. Les rinçages à froid économisent de l'énergie.

Commande automatique de la température

La commande automatique de la température (CAT) détecte et maintient une température uniforme de l'eau. La CAT régule l'arrivée d'eau chaude et d'eau froide. La fonction CAT est automatiquement activée lorsqu'un programme est sélectionné. (Voir "Préréglages de programmes" dans "Programmes".)

- La commande automatique de la température (CAT) fonctionne pour toutes les températures de lavage.
- La commande automatique de la température (CAT) fonctionne pour la température de rinçage lorsque la température de lavage est marquée d'un astérisque, tel que Warm* (tiède). Toutes les autres températures de rinçage sont froides et dépendent de la température de l'eau froide au robinet.

Guide de lessivage

Consulter ce tableau pour les types de charges suggérés et le programme correspondant. Pour chacun des programmes de la laveuse, les options disponibles sont indiquées à droite.

PROGRAMME	TYPE DE CHARGE SUGGÉRÉ	OPTIONS DISPONIBLES				
		Delay Start (mise en marche différée)	STEAM TREAT™ (traitement par vapeur)	Prewash (prélavage)	Extended Spin (essorage prolongé)	2nd Rinse (2nd rinçage)
Express Wash (lavage rapide)	Petites charges de 2 à 3 articles en coton, polyester, nylon, et mélanges de coton légèrement sales.	✓			✓	✓
Handwash/Delicate (lavage à la main/ articles délicats)	Articles en soie ou ultra-délicats lavables en machine.	✓				✓
Rinse & Spin (rinçage et essorage)	Toutes les charges	✓			✓	✓
Drain & Spin (Vidange et essorage)	Toutes les charges	✓				✓
Clean Washer (nettoyage de la laveuse)	Pas de vêtement	✓				
Whitest Whites (blancs les plus blancs)	Tissus blancs sales	✓	✓	✓	✓	✓
Heavy Duty (service intense)	Articles en coton très sales tels que sous-vêtements, serviettes, chemises, etc.	✓	✓	✓	✓	✓
Normal/Casual (normal/tout-aller)	Articles normalement sales tels que chemisiers, chemises, salopettes, etc., en polyester, nylon, coton, lin ou mélanges de coton	✓	✓	✓	✓	✓
Soak (trempage)	Toutes les charges	✓				

CONSEILS DE LESSIVAGE

Préparation des vêtements pour le lavage

Suivre les recommandations suivantes pour prolonger la vie de vos vêtements.

- Utiliser uniquement des détergents Haute efficacité. Pour ce type de détergent, "HE" ou "Haute efficacité" sera mentionné sur l'emballage. Ce système de lavage, utilisant moins d'eau, provoquera trop de mousse avec un détergent ordinaire non-HE. L'utilisation d'un détergent ordinaire est susceptible d'occasionner des erreurs de la part de la laveuse, des durées de programmes plus longues et une performance de rinçage réduite. Ceci peut aussi entraîner des défaillances des composants et une moisissure perceptible. Les détergents HE sont conçus pour produire la quantité de mousse adéquate pour le meilleur rendement. Suivre les recommandations du fabricant pour déterminer la quantité de détergent à utiliser.



Utiliser uniquement un détergent HE Haute efficacité.

- Fermer les fermetures à glissière, les boutons pression et les crochets pour éviter d'accrocher d'autres articles. Retirer les épingles, boucles et autres objets durs pour éviter d'égratigner l'intérieur de la laveuse. Ôter les garnitures et les ornements non lavables.
- Vider les poches et les retourner.
- Retourner les revers et enlever la charpie et la poussière avec une brosse.
- Retourner les lainages et tricotés synthétiques pour éviter le boulochage.
- Attacher les cordons et les ceintures pour empêcher l'emmêlement.
- Raccorder les déchirures, les ourlets défaits et les coutures.
- Traiter les taches.
- Les vêtements tachés ou mouillés doivent être lavés sans délai pour obtenir les meilleurs résultats.
- Mélanger les petits articles avec les gros, éviter de laver un article seul et répartir la charge de façon égale dans la laveuse.
- Laver les petits articles tels que les chaussettes d'enfants dans un sac en filet pour le linge. Pour obtenir une charge équilibrée, on recommande d'utiliser plus d'un sac et de remplir chaque sac avec des quantités similaires.

REMARQUE : Si vous lavez uniquement des petits articles, il est recommandé d'utiliser plus d'un sac et de remplir chaque sac avec des quantités similaires.

Tri

- Séparer les articles très sales des articles légèrement sales, même si on les lave normalement ensemble. Séparer les articles qui forment de la charpie (serviettes, chenille) des articles qui retiennent la charpie (velours côtelé, synthétiques, pressage permanent). Dans la mesure du possible, retourner les articles qui forment de la charpie.
- Séparer les couleurs foncées des couleurs claires et les articles grand teint des articles qui déteignent.
- Trier en fonction des tissus et de la confection (cotons solides, tricotés, articles délicats).

Déchargement

- Retirer les vêtements de la laveuse une fois que le programme est terminé. Des objets en métal comme les fermetures à glissière, les boutons-pression et les boucles peuvent rouiller si on les laisse longtemps dans le panier de la laveuse.
- Lorsqu'on retire le linge, vérifier de temps en temps sous le joint de couleur grise à l'avant de la cuve qu'il n'y ait pas de petits articles coincés.

Chargement

Suggestions de chargement

Vêtements de travail lourds

4 jeans	2 survêtements (bas)
4 pantalons	2 survêtements (haut)
4 chemises	

Serviettes

10 serviettes de bain	14 débarbouillettes
10 serviettes à main	

Charge mixte

3 draps (1 très grand, 2 simples)	9 T-shirts
4 taies d'oreiller	9 shorts
3 chemises	10 mouchoirs de poche
3 chemisiers	

Articles délicats

3 maillots de corps	2 soutiens-gorge
4 jupons	2 chemises de nuit
4 culottes	

Programme EXPRESS WASH

(2 à 3 articles)

2 chemises habillées	1 pantalon de ville
----------------------	---------------------

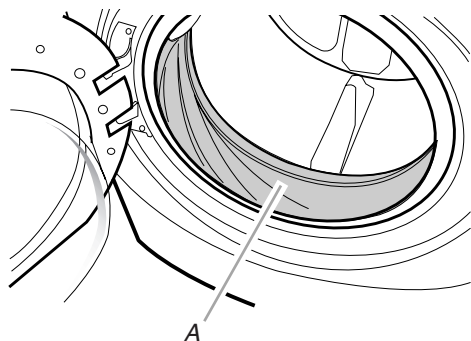
ENTRETIEN DE LA LAVEUSE

Nettoyage de la laveuse

La procédure d'entretien de la laveuse doit être effectuée chaque mois.

Nettoyage du joint de la porte

1. Ouvrir la porte de la laveuse et retirer tout vêtement ou article de la laveuse.
2. Examiner le joint de couleur grise entre l'ouverture de la porte et le panier pour déceler des zones tachées. Tirer sur le joint pour examiner des zones situées en dessous. Ôter tout objet étranger.



A. Joint

3. Si des zones tachées sont décelées, essuyer ces zones en respectant la procédure indiquée ci-dessous.
 - a) Mélanger une solution diluée en utilisant $\frac{3}{4}$ de tasse (177,4 mL) d'agent de blanchiment liquide et 1 gal. (3,8 L) d'eau tiède du robinet.
 - b) Essuyer la zone du joint avec la solution diluée, en utilisant un chiffon humide.
 - c) Laisser agir pendant 5 minutes.
 - d) Essuyer la zone complètement avec un chiffon sec et laisser l'intérieur de la laveuse sécher avec la porte ouverte.

IMPORTANT :

- Porter des gants en caoutchouc en cas de nettoyage pendant une période prolongée.
- Consulter les instructions du fabricant de l'agent de blanchiment pour une utilisation correcte.

Procédure d'entretien de la laveuse

Cette laveuse comporte un programme spécial avec vapeur qui utilise des volumes d'eau plus importants en combinaison avec l'agent de blanchiment liquide pour nettoyer à fond l'intérieur de la laveuse.

REMARQUES :

- Lire ces instructions complètement avant de débiter la procédure de nettoyage.
- Si nécessaire le programme de nettoyage peut être interrompu en appuyant sur le bouton STOP (arrêt). Cependant, ceci n'arrêtera pas immédiatement le programme. La machine affichera "int" (interruption) et poursuivra avec plusieurs rinçages et vidanges afin d'évacuer toute trace d'agent de blanchiment de la laveuse.

Début de la procédure

1. Ouvrir la porte de la laveuse et retirer tout vêtement ou article de la laveuse.
2. Ouvrir le tiroir distributeur et ajouter immédiatement $\frac{2}{3}$ de tasse (160 mL) d'agent de blanchiment liquide au compartiment d'agent de blanchiment.

REMARQUE : Ne pas verser de détergent pour ce programme. L'utilisation de plus de $\frac{2}{3}$ de tasse (160 mL) d'agent de blanchiment occasionnera avec le temps des dommages au produit.

3. Fermer la porte de la laveuse et le tiroir distributeur.
4. Sélectionner le programme CLEAN WASHER (nettoyage de la laveuse).
5. Appuyer sur START (mise en marche).

REMARQUE : Le panier pivotera, la porte se déverrouillera, se verrouillera à nouveau et enfin le programme se poursuivra.

- La machine se remplira d'eau et le panier pivotera alors que la laveuse effectuera un court programme de détection. Ceci prendra environ 3 minutes.
6. Le programme déterminera si des vêtements ou autres articles se trouvent dans la laveuse.
 - a) Si aucun article n'est détecté dans la laveuse, il passera à l'étape 7.
 - b) Si des articles sont détectés dans la laveuse, "rL" sera affiché et les témoins lumineux WASH (lavage) et CONTROLS LOCKED (commandes verrouillées) resteront allumés. La porte se déverrouillera. Ouvrir et enlever tout vêtement se trouvant dans le tambour de la laveuse.
 - Appuyer sur STOP (arrêt) pour annuler le code d'échec. Puis répéter les étapes 3, 4 et 5 pour remettre le programme en marche.
 7. Une fois que le programme a commencé, laisser le programme s'achever.
 8. À la fin du programme, laisser la porte légèrement ouverte, pour permettre une meilleure ventilation et le séchage de l'intérieur de la laveuse.

Toujours suivre la procédure qui suit pour préserver la fraîcheur de la laveuse

- Utiliser uniquement un détergent HE Haute efficacité.
- Laisser la porte légèrement ouverte après chaque programme pour permettre une meilleure ventilation et le séchage de l'intérieur de la laveuse.
- Répéter la procédure d'entretien chaque mois.
- Si la procédure ne permet pas de remédier suffisamment aux problèmes de fraîcheur de la machine, examiner les conditions d'installation et d'utilisation pour déceler d'autres causes.

Nettoyage de l'extérieur

Utiliser une éponge ou un chiffon doux humide pour essuyer les renversements. Essuyer occasionnellement les surfaces externes de la laveuse pour maintenir son apparence d'appareil neuf. Utiliser un savon doux et de l'eau. Ne pas utiliser de produits abrasifs.

Nettoyage du tiroir distributeur

Le tiroir distributeur est amovible pour faciliter le nettoyage.

1. Déverrouiller le tiroir distributeur en appuyant sur le levier. Voir "Utilisation du distributeur". Retirer le tiroir.
2. Ôter les pièces incluses (le siphon des compartiments de l'assouplissant de tissu et de l'agent de blanchiment et le sélecteur).
3. Laver les pièces sous l'eau du robinet.
4. Réinstaller les pièces incluses et remettre le distributeur dans le tiroir.

Tuyaux d'arrivée d'eau

Remplacer les tuyaux d'arrivée d'eau après 5 ans d'utilisation pour réduire le risque de défaillance intempestive. Inspecter périodiquement les tuyaux; les remplacer en cas de renflement, de déformation, de coupure et d'usure ou si une fuite se manifeste.

Lors du remplacement des tuyaux d'arrivée d'eau, inscrire la date du remplacement.

Préparation avant des vacances, un entreposage ou un déménagement

Installer et remiser la laveuse à un emplacement où elle ne sera pas exposée au gel. Comme il peut rester un résidu d'eau dans les tuyaux, le gel pourrait endommager la laveuse. Si la laveuse doit faire l'objet d'un déménagement ou de remisage au cours d'une période où il gèle, préparer l'appareil pour l'hiver.

Période d'inutilisation ou de vacances :

Faire fonctionner la laveuse seulement lorsqu'on est présent. Si vous devez partir en vacances ou si vous n'utilisez pas votre laveuse pendant une période prolongée, vous devez :

- Débrancher la laveuse ou déconnecter la source de courant électrique.
- Fermer les robinets d'arrivée d'eau. Ceci évitera le risque d'inondation fortuit (à l'occasion d'une surpression d'eau) au cours de la période d'absence.
- Ouvrir légèrement la porte pour fournir une ventilation.

Préparation de la laveuse pour l'hiver :

1. Verser 1 pte (1 L) d'antigel de type pour véhicule récréatif, dans le tambour.
2. Faire exécuter à la laveuse un programme Drain & Spin (Vidange et essorage).
3. Débrancher la laveuse ou déconnecter la source de courant électrique.
4. Fermer les deux robinets d'arrivée d'eau.
5. Déconnecter les tuyaux flexibles d'alimentation d'eau des robinets et les vider.

Avant la réutilisation :

1. Rincer les tuyaux d'arrivée d'eau. Reconnecter les tuyaux flexibles d'alimentation d'eau aux robinets. Ouvrir les deux robinets d'arrivée d'eau.

AVERTISSEMENT



Risque de choc électrique

Brancher sur une prise à 3 alvéoles reliée à la terre.

Ne pas enlever la broche de liaison à la terre.

Ne pas utiliser un adaptateur.

Ne pas utiliser un câble de rallonge.

Le non-respect de ces instructions peut causer un décès, un incendie ou un choc électrique.

2. Brancher la laveuse ou reconnecter la source de courant électrique.
3. Faire exécuter à la laveuse un programme complet Normal/Casual (Normal/tout-aller) avec la moitié de la quantité de détergent HE recommandée par le fabricant pour une charge moyenne, pour nettoyer la laveuse et éliminer l'antigel, le cas échéant.

Transport de la laveuse :

1. Si la laveuse est démenagée pendant une période de gel, verser dans le tambour 1 pte (1 L) d'antigel pour véhicule récréatif. Faire exécuter à la laveuse un programme Drain & Spin (Vidange et essorage).
2. Débrancher le cordon d'alimentation.
3. Déconnecter le tuyau de vidange du système de vidange et le fixer aux pinces du panneau arrière.
4. Fermer les deux robinets d'arrivée d'eau.
5. Déconnecter les tuyaux d'arrivée d'eau des robinets, ensuite vider les tuyaux et les fixer au panneau arrière de la laveuse.

IMPORTANT : Appeler le service. Ne pas réutiliser les boulons de transport. L'appareil doit être transporté dans la position verticale. Pour éviter des dommages sur la structure et sur la suspension, la laveuse doit être correctement préparée pour le déplacement par un technicien agréé.

Réinstallation de la laveuse

1. Suivre les "Instructions d'installation" pour choisir l'emplacement, mettre la laveuse d'aplomb et la raccorder.
2. Faire exécuter à la laveuse un programme complet Normal/Casual (Normal/tout-aller) avec la moitié de la quantité de détergent HE recommandée par le fabricant pour une charge moyenne, pour nettoyer la laveuse et éliminer l'antigel, le cas échéant.

DÉPANNAGE

Essayer d'abord les solutions suggérées ici pour éviter possiblement le coût d'une visite de service...

La laveuse affiche un message codé et un signal sonore est émis

- **“F20” (problème d'entrée d'eau - approvisionnement en eau nul ou insuffisant)**
Sélectionner deux fois STOP (arrêt) pour annuler le programme. Débrancher la laveuse ou déconnecter la source de courant électrique.

Vérifier ce qui suit :

Les robinets d'eau sont-ils complètement ouverts?

Les tamis au point de raccordement des tuyaux d'arrivée d'eau à la laveuse sont-ils obstrués?

Les tuyaux d'arrivée d'eau sont-ils déformés?

Les tuyaux d'arrivée d'eau sont-ils gelés?

Brancher la laveuse ou reconnecter la source de courant électrique. Sélectionner à nouveau le programme et appuyer sur START (mise en marche). Si le problème persiste, faire un appel de service.

- **“F21” (problème de vidange)**
Sélectionner deux fois STOP (arrêt) pour annuler le programme. Débrancher la laveuse ou déconnecter la source de courant électrique.

Vérifier ce qui suit :

Le tuyau de vidange est-il déformé?

Le tuyau de vidange est-il gelé?

Le tuyau de vidange est-il obstrué?

Le tuyau de vidange est-il à plus de 96" (2,4 m) au-dessus du plancher?

Brancher la laveuse ou reconnecter la source de courant électrique. Sélectionner à nouveau un programme et appuyer sur START (mise en marche). Si le problème persiste, faire un appel de service.

- **“SUD” (procédure contre la mousse)**
Lorsqu'un excès de mousse est détecté, une procédure contre la mousse se met en marche automatiquement. Cette procédure élimine l'excès de mousse et permet un rinçage correct de vos vêtements. “SUD” s'affiche durant la période de rinçage pour indiquer que la procédure contre la mousse a été activée. Utiliser uniquement des détergents HE (haute efficacité).

- **“F22” (verrouillage de la porte avant)**
Sélectionner deux fois STOP (arrêt) pour annuler le programme.

La porte de la laveuse est-elle bien fermée?

La porte doit être complètement fermée pour que la laveuse puisse fonctionner. La porte peut paraître fermée mais ne pas être enclenchée. Ouvrir la porte et bien l'enclencher.

Avez-vous lavé une grande charge?

Avant de fermer la porte de la laveuse, vérifier qu'aucun article ne dépasse de l'ouverture. Laisser suffisamment d'espace dans la laveuse pour permettre aux vêtements de culbutter librement. Un panier surchargé peut empêcher la porte de fermer complètement. Réduire la charge si nécessaire.

Appuyer sur POWER, sélectionner à nouveau le programme et appuyer sur START.

- **Codes “F” autres que F20, F21 et F22**
Sélectionner deux fois STOP (arrêt) pour annuler le programme. Sélectionner DRAIN & SPIN (vidange et essorage) en cas d'excès d'eau dans la laveuse.

Sélectionner à nouveau le programme et appuyer sur START. Si le problème persiste, faire un appel de service.

La laveuse ne se met pas en marche

⚠ AVERTISSEMENT



Risque de choc électrique

Brancher sur une prise à 3 alvéoles reliée à la terre.

Ne pas enlever la broche de liaison à la terre.

Ne pas utiliser un adaptateur.

Ne pas utiliser un câble de rallonge.

Le non-respect de ces instructions peut causer un décès, un incendie ou un choc électrique.

- **Vérifier ce qui suit :**
Le cordon d'alimentation est-il branché dans une prise à 3 alvéoles reliée à la terre?
La porte de la laveuse est-elle bien fermée?
Un programme a-t-il été sélectionné sans que START ait été sélectionné pendant 1 seconde?
La porte a-t-elle été ouverte après l'achèvement du dernier programme?

La laveuse ne se remplit pas, ne rince pas ou ne lave pas

- **Vérifier ce qui suit :**
Le cordon d'alimentation est-il branché dans une prise à 3 alvéoles reliée à la terre?
La prise est-elle alimentée par le courant électrique? Vérifier la source de courant électrique ou appeler un électricien.
Les robinets d'eau chaude et d'eau froide sont-ils ouverts?
Le tuyau d'arrivée d'eau est-il déformé?
Les tamis de la valve d'arrivée d'eau sont-ils obstrués? Couper l'arrivée d'eau et retirer les tuyaux d'arrivée d'eau de la laveuse. Ôter toute pellicule ou particules accumulées. Réinstaller les tuyaux, ouvrir l'arrivée d'eau et vérifier s'il y a des fuites.

La laveuse s'arrête

■ Vérifier ce qui suit :

Le cordon d'alimentation est-il branché dans une prise à 3 alvéoles reliée à la terre?

La prise est-elle alimentée par le courant électrique?
Vérifier la source de courant électrique ou appeler un électricien.

Un fusible est-il grillé ou le disjoncteur s'est-il déclenché?
Remplacer le fusible ou réenclencher le disjoncteur. Si le problème persiste, appeler un électricien.

Utilisez-vous un câble de rallonge?
Ne pas utiliser un câble de rallonge.

La laveuse n'effectue pas de vidange ou d'essorage

■ Le tuyau de vidange est-il obstrué ou l'extrémité du tuyau de vidange se trouve-t-elle à plus de 96" (2,4 m) au-dessus du plancher?

■ La tension est-elle basse?

Vérifier la source de courant électrique ou appeler un électricien. Ne pas utiliser un câble de rallonge.

■ La procédure contre la mousse est-elle activée?

Le programme se terminera une fois que l'excès de mousse sera éliminé.

■ La charge est-elle équilibrée?

Un seul article ou un article encombrant peut provoquer un déséquilibre. Ajouter des articles ou redistribuer la charge.

La laveuse fait du bruit ou vibre

■ La laveuse est-elle d'aplomb?

La laveuse doit être d'aplomb. Les quatre pieds doivent être installés correctement et les écrous doivent être serrés contre la caisse de la laveuse.

Lorsque l'eau est vidangée de la laveuse, on peut entendre le bruit de la succion de l'air par la pompe. Ceci se produit à la fin de la vidange. Ceci est normal.

■ Lavez-vous des articles avec agrafes en métal, boucles ou fermetures à glissière?

Vous pouvez entendre le bruit des articles métalliques touchant le tambour de la laveuse. Ceci est normal.

■ La laveuse est-elle installée sur un plancher robuste et solide?

Se référer aux "Instructions d'installation" pour les exigences relatives au plancher. Le bruit et les vibrations peuvent être réduits en plaçant une planche de contreplaqué de ¾" (19,1 mm) sous la laveuse. Le contreplaqué peut se prolonger en dessous de la laveuse et de la sècheuse pour les maintenir à des hauteurs égales.

Présence d'eau près de la laveuse

Vérifier la plomberie du domicile pour voir s'il y a des fuites.

Distributeurs obstrués ou ayant une fuite

■ Les produits de lessive sont-ils dans le bon compartiment du distributeur?

Verser les quantités appropriées de détergent, d'assouplissant de tissu ou d'agent de blanchiment au chlore liquide dans le compartiment adéquat. Verser l'agent de blanchiment en poudre ou liquide sans danger pour les couleurs dans le compartiment du détergent principal. Veiller à utiliser un agent de blanchiment en poudre sans danger pour les couleurs avec un détergent en poudre approprié ou un agent de blanchiment liquide sans danger pour les couleurs avec un détergent liquide approprié.

■ Le séparateur de type de détergent est-il correctement installé?

Le séparateur doit être en position inférieure en cas d'utilisation de détergent liquide et en position supérieure en cas d'utilisation de détergent en poudre.

Mauvaises odeurs de la laveuse

■ Voir "Nettoyage de la laveuse".

■ Utilisez-vous un détergent HE?

L'utilisation d'un détergent non HE peut provoquer un film résiduel à l'origine d'odeurs.

■ Avez-vous laissé la porte ouverte après utilisation?

Cette laveuse dispose d'une fermeture étanche pour éviter les fuites d'eau. Pour éviter la formation d'odeurs, laisser la porte ouverte afin de permettre à la laveuse de sécher entre les utilisations.

Charge trop mouillée

■ Avez-vous utilisé le bon programme pour la charge à laver?

Choisir un programme avec une vitesse d'essorage plus élevée.

■ Avez-vous lavé un article seul, des articles encombrants ou avez-vous surchargé la laveuse?

Le lavage d'un seul article ou d'un article encombrant, ou une charge excessive peuvent provoquer un déséquilibre. Ajouter des articles ou essayer de distribuer uniformément votre lessive mouillée dans le tambour, et commencer un programme Drain & Spin (vidange et essorage). Si la lessive est encore mouillée, retirer la moitié de la charge de la laveuse et essayer de nouveau.

Résidus ou charpie sur le linge

■ Avez-vous versé le détergent dans le distributeur?

Pour des résultats optimaux, verser le détergent dans le compartiment de détergent. Ne pas verser le détergent dans le tambour de la laveuse.

■ Avez-vous effectué le tri correctement?

Trier les articles causant la charpie (serviettes, chenille) des articles qui retiennent la charpie (velours côtelé, synthétiques). Trier également en fonction des couleurs.

■ Avez-vous surchargé la laveuse?

Ne pas surcharger la laveuse. La laveuse peut être bien remplie mais le linge ne doit pas être tassé. La charge de lavage doit être équilibrée. De la charpie peut être coincée dans la charge s'il y a une surcharge.

■ Vérifier ce qui suit :

Avez-vous laissé du papier ou des mouchoirs en papier dans les poches?

- **Avez-vous utilisé suffisamment de détergent HE?**
Utiliser suffisamment de détergent pour enlever la charpie et la maintenir en suspension. Utiliser uniquement un détergent HE. Suivre les recommandations du fabricant pour déterminer la quantité de détergent à utiliser.
- **La température de l'eau est-elle inférieure à 60°F (15,6°C)?**
Une eau de lavage dont la température est inférieure à 60°F (15,6°C) peut ne pas dissoudre complètement le détergent.
- **Utilisez-vous un programme de lavage à basse vitesse?**
Les détergents en poudre peuvent ne pas se dissoudre correctement durant un programme à basse vitesse. Pour de meilleurs résultats, utiliser un détergent liquide pour les programmes à basse vitesse tels que Handwash/Wool (articles lavables à la main/lainages) et Silk/Ultra Delicate (soie/ultra-déliçats).

Présence de taches sur le linge

- **Avez-vous versé le détergent dans le distributeur?**
Pour des résultats optimaux, verser le détergent dans le compartiment de détergent. Ne pas verser le détergent dans le tambour de la laveuse.
- **Avez-vous utilisé suffisamment de détergent HE?**
Utiliser suffisamment de détergent pour enlever la saleté et la maintenir en suspension. Utiliser uniquement un détergent HE. Suivre les recommandations du fabricant pour déterminer la quantité de détergent à utiliser.
- **La présence de fer (rouille) dans l'eau est-elle supérieure à la moyenne?**
Vous aurez peut-être besoin d'installer un filtre à fer.
- **Avez-vous bien trié la charge?**
Séparer les articles de teinte foncée des articles blancs ou clairs.
- **Avez-vous déchargé la laveuse immédiatement?**
Pour éviter le transfert de teinture, décharger la laveuse dès qu'elle s'arrête.
- **Avez-vous utilisé une boule distributrice d'assouplissant de tissu?**
Les boules distributrices ne fonctionnent pas correctement avec cette laveuse. Verser un assouplissant de tissu liquide dans le compartiment d'assouplissant de tissu.
- **Avez-vous utilisé un détergent en poudre pour un programme à vitesse faible?**
Envisager l'utilisation d'un détergent liquide.
- **Avez-vous utilisé le programme Express Wash (lavage rapide) pour une grande charge?**
Pour des résultats optimaux, utiliser le programme Express Wash (lavage rapide) pour les petites charges de linge légèrement sale.

Linge froissé

- **Avez-vous déchargé la laveuse immédiatement?**
Décharger la laveuse dès qu'elle s'arrête.
- **Avez-vous utilisé le bon programme pour la charge à laver?**
Utiliser le programme Handwash/Delicate (articles lavables à la main/délicat) ou un autre programme avec essorage à basse vitesse pour réduire le froissement.
- **Avez-vous surchargé la laveuse?**
La charge de lavage doit être équilibrée et pas surchargée. Les charges doivent pouvoir se déplacer librement durant le lavage.

Blanc grisâtre, couleurs défraîchies

- **Avez-vous bien trié la charge?**
Le transfert de teinture peut se produire lors du mélange d'articles blancs et de couleur dans une même charge. Séparer les articles de teinte foncée des articles blancs ou clairs.
- **La température de lavage était-elle trop basse?**
Utiliser les lavages à l'eau chaude ou tiède si celles-ci sont sans danger pour les tissus de la charge. S'assurer que le système d'eau chaude est adéquat pour fournir un lavage à l'eau chaude.
- **Avez-vous utilisé suffisamment de détergent, ou avez-vous une eau dure?**
Utiliser plus de détergent pour laver la saleté intense à l'eau froide ou dure.

Programme trop long

- **Avez-vous choisi l'option STEAM TREAT™?**
Dans ce cas le chauffe-eau et l'évaporateur seront activés pour fournir le rendement de nettoyage maximal. La durée du programme normal sera prolongée pour chauffer l'eau. Cette durée supplémentaire dépendra du volume de la charge et de la température de l'eau à son entrée dans la laveuse.
- **L'alimentation en eau chaude est-elle réglée à la température recommandée de 120°F (49°C)?**
Une température chaude en-deçà du réglage recommandé augmentera la durée de réchauffage.
- **Le mot "SUD" est-il affiché?**
Un excès de mousse a été détecté et une procédure contre la mousse a commencé. Cette procédure prolongera la durée initiale du programme.
- **La charge a-t-elle causé un déséquilibre?**
Lorsqu'il y a un trop grand déséquilibre, une procédure de rééquilibrage se met en marche pour redistribuer la charge. L'affichage de la durée se mettra en pause jusqu'à ce que cette activité soit terminée, puis se réactivera pour le reste du programme.
- **Avez-vous lavé une grande charge avec le programme Express (lavage rapide)?**
Le programme Express (lavage rapide) est conçu pour les petites charges (2 à 3 articles) de vêtements légèrement sales. Si des charges plus grandes sont lavées avec ce programme, la durée de lavage augmentera.
- **Avez-vous lavé une grande charge en utilisant un programme doux ou le programme Delicate (articles déliçats)?**
Avec les programmes Express (lavage rapide) ou Handwash/Delicate (articles lavables à la main/délicat) vous devez utiliser des petites charges. Ceci assure un lavage délicat de vos vêtements sans augmenter les durées de programme.

Porte verrouillée à la fin du programme de lavage

- **Toute l'eau s'est-elle écoulee de la laveuse durant l'essorage?**
Sélectionner DRAIN & SPIN (vidange et essorage) pour enlever toute eau restée dans la laveuse. La porte de la laveuse se déverrouillera à la fin de la vidange.

Get it fixed, at your home or ours!

Your Home

For repair – **in your home** – of **all** major brand appliances, lawn and garden equipment, or heating and cooling systems, **no matter who made it, no matter who sold it!**

For the replacement parts, accessories and owner's manuals that you need to do-it-yourself.

For Sears professional installation of home appliances and items like garage door openers and water heaters.

1-800-4-MY-HOME® (1-800-469-4663)

Call anytime, day or night (U.S.A. and Canada)

www.sears.com www.sears.ca

For expert home solutions advice: www.managemyhome.com

Our Home

For repair of carry-in items like vacuums, lawn equipment, and electronics, call or go on-line for the location of your nearest

Sears Parts & Repair Service Center

1-800-488-1222 (U.S.A.) 1-800-469-4663 (Canada)

Call anytime, day or night

www.sears.com www.sears.ca

To purchase a protection agreement on a product serviced by Sears:

1-800-827-6655 (U.S.A.) 1-800-361-6665 (Canada)

Para pedir servicio de reparación a domicilio, y para ordenar piezas:

1-888-SU-HOGAR®

(1-888-784-6427)

Au Canada pour service en français:

1-800-LE-FOYER^{MC}

(1-800-533-6937)

www.sears.ca



®Registered Trademark/TMTrademark/SMService Mark of Sears Brands LLC, under licensee by Sears Canada.

®CATALYST is a registered trademark of Whirlpool U.S.A., used under licensee by Sears Brands LLC and Sears Canada.

®NSF is a registered trademark of NSF International

®Marca registrada/TM Marca de comercio/SM Marca de servicio de Sears Brands LLC, usada bajo licencia por Sears Canada.

®CATALYST es una marca registrada de Whirlpool U.S.A., usada bajo licencia por Sears Brands LLC y Sears Canada.

®NSF es una marca registrada de NSF International

® Marque déposée/TM Marque de commerce/SM Marque de service de Sears Brands LLC, en vertu d'un porteur de licence par Sears Canada.

®CATALYST est une marque déposée de Whirlpool, U.S.A., en vertu d'un porteur de licence par Sears Brands LLC et Sears Canada.

®NSF est une marque déposée de NSF International