

Elite SCREENS

Spectrum Series / Vmax2 Series

Users Guide




Important Safety and Warning Precautions:

1. Be sure to read this manual before use and follow the procedures as specified:
 - ✧ Put this manual in a safe place where it can be easily obtained for future reference.
 - ✧ To avoid possible product damage, do not use the accessories not recommended by the manufacturer.
 - ✧ Handle the device carefully during transportation and installation.
 - ✧ Do not set up the screen on an uneven or inclined location.
 - ✧ Do not set any heavy objects on the power cord and arrange it properly to avoid it becoming a trip hazard.
 - ✧ To prevent electrical shock or fire, do not overload the power cord.
 - ✧ Do not allow any liquids or moisture into the electric mechanism. Never handle any electrical devices if you are wet or in direct contact with any other water source.
2. Always disconnect the power when replacing any accessories in order to avoid risks of a short circuit or an electric shock.
3. There are no user serviceable accessories in the device. Only an authorized Elite Screens technician is permitted to open the product casing and work on the internal parts. Failure to do so will void the warranty.

(User Tip) Make sure that the product voltage connection is compatible with the power source outlet. The rating label on the product indicates the voltage rating.

(Environmental Tip.) In compliance with EPA regulations, please utilize the appropriate facility when in need of product disposal at the end of its operational lifetime.

- 
4. Do not use this product under the following circumstances:
 - 1) During a heavy storm, wind, rain, thunder or lightning.
 - 2) To ensure a maximum product life, avoid direct sunshine, water or moisture.
 - 3) Keep away from fire sources and high temperatures to prevent overheating.
 - 4) Disconnect the power supply first before transportation or maintenance.

PRE-INSTALLATION 1

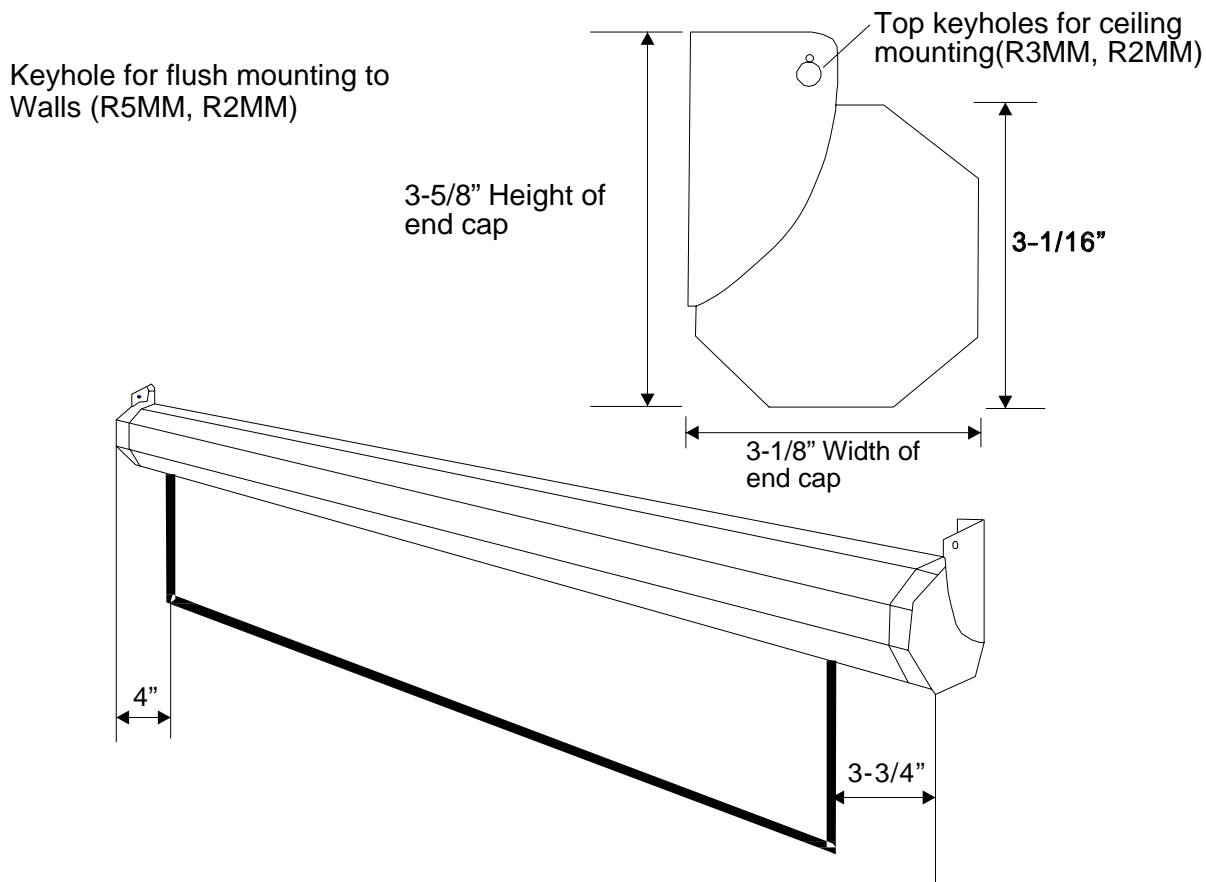
1. Position the power cord so it will not be; near any heat source or in a position to be pulled on or tripped over.
2. To avoid suffering an electric shock, do not attempt to disassemble this appliance by yourself.
3. In the event of technical trouble, please contact Elite Screens' service dept. for help with any technical troubleshooting or warranty claim.
4. Please disconnect the power supply when the screen will not be in use for a prolonged period of time. This is good general advice for any electric hardware.

Important:

To avoid possible injury and/or an electric shock, do not attempt to use the screen if there is obvious damage or the presence of broken parts.

PRE-INSTALLATION 2

1. Carefully unpack the screen.
2. Always handle the screen in a leveled position on a clean surface.
3. In order to protect the screen from exposure to stains and other impurities, keep the screen out of contact with foreign particles such as dirt, sawdust and liquids.



INSTALLATION 1

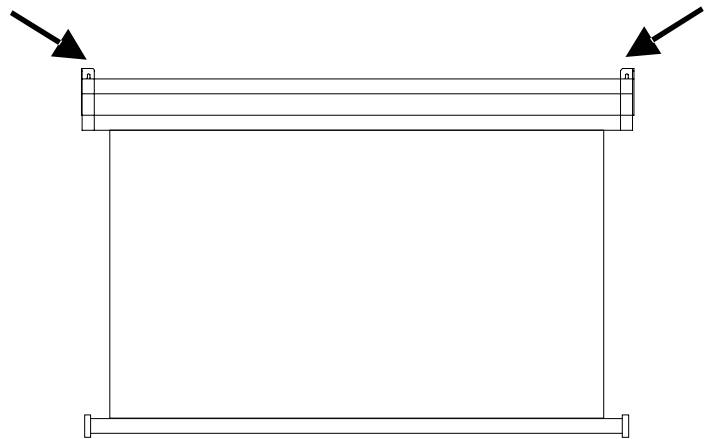
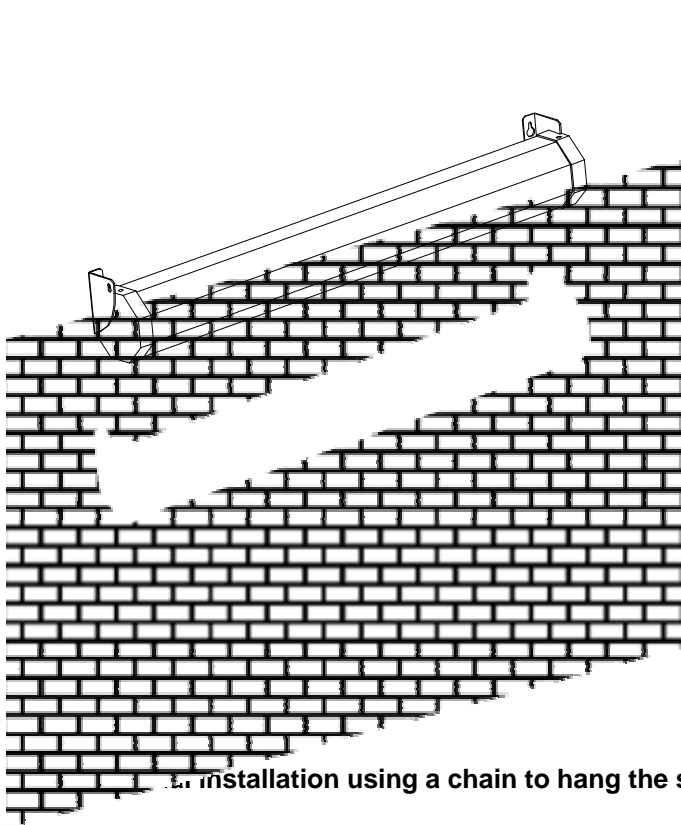
1. Select the location for your screen so that it has access to a good power source as well as a functioning angle and throw distance for your projector.
2. For the best installation results, it is ideal to secure your screen into the studs of your house's internal wooden framework. If studs are not available in your preferred point of installation, use the hollow wall anchors for mounting your wall-screws into the drywall. If you are installing into a concrete structure, use the concrete bolts for securing your screen into the walls. (**Note*** Always consult a professional installer or hardware store specialist for the correct screws and bolts)
3. Make sure that the screen is perfectly level. Always use a leveling tool to ensure that the screen runs in perfect alignment with its center of gravity.
4. Position the washers at the head of the wall-screw. The washers give added stability and ensure that the casing is firmly anchored to the wall.
5. The screen casing is designed to accept the wall screws directly. If not using the optional L-brackets, be sure to position the washer between the head of the wall-screw and the anchor slots on the projector casing.

NOTE:

Regardless of mounting method, screens should be securely supported so that vibration or even abusive pulling on the viewing surface will not cause case to work loose or fall. Installers must insure that the fasteners used are of adequate strength and suitable for the mounting surface chosen.

Installation 2

1. Using a tape measure, mark the keyholes that are located at the back of the screen's case end cap.
2. After marking the area and predrilled hole, insert the screw and leave about 1/8" of an inch from the wall to mount the screen. **(Fig. 1)**



... installation using a chain to hang the screen from the ceiling.

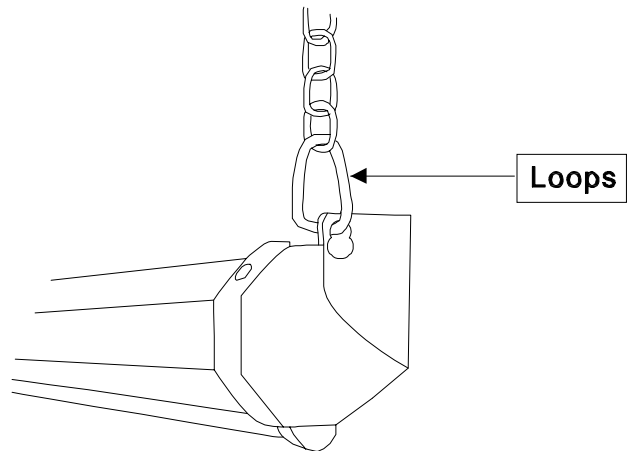
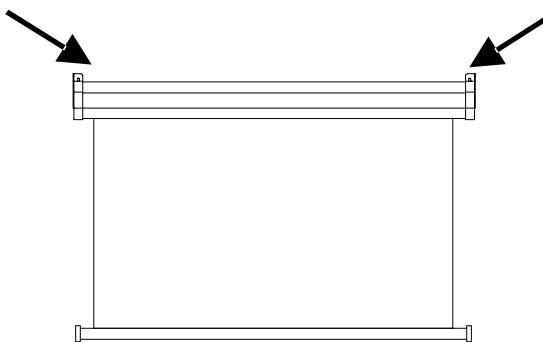


Fig. 2.

1. You can also hang the screen on a ceiling by using a chain with s-hooks (not included) and hang it by the two loops located on each end of the case as shown on **(Fig. 2)**.

VMAX2/Spectrum optional accessories; The L-Brackets for Wall & Ceiling Installation and 12-Volt Trigger for Synchronized Projector-Screen Operation

Wood/Dry Wall L-Brackets Use wood screws (B) Or use hollow wall anchors (E) provided with the installation kit as shown on Fig.1

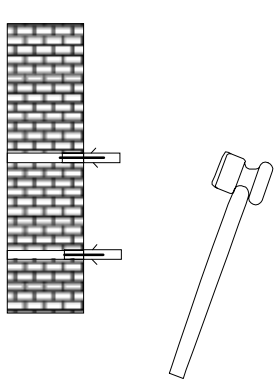
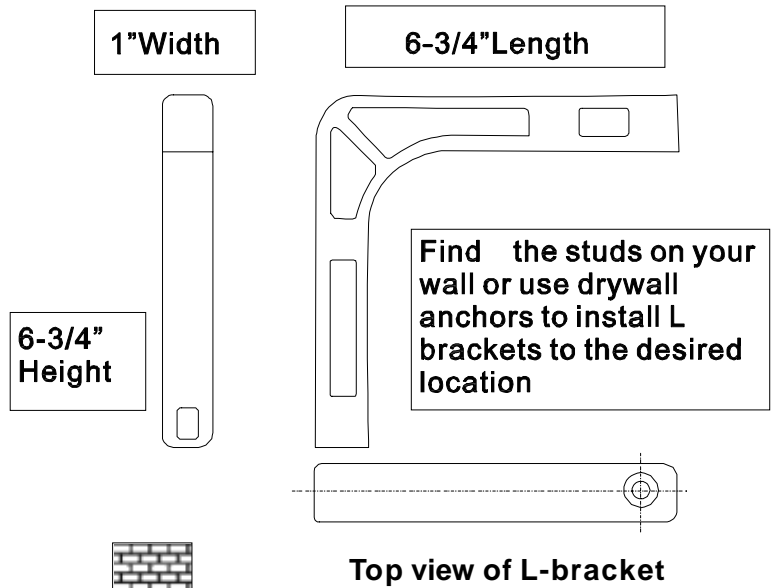


Fig. 1

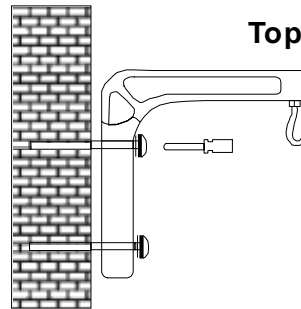
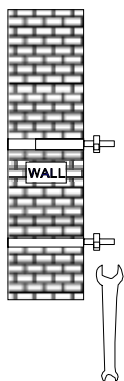
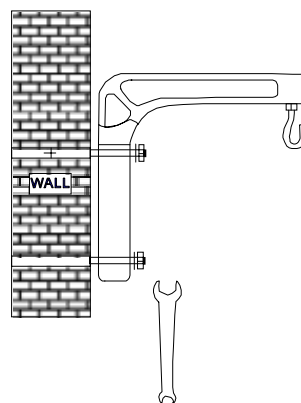


Fig. 2



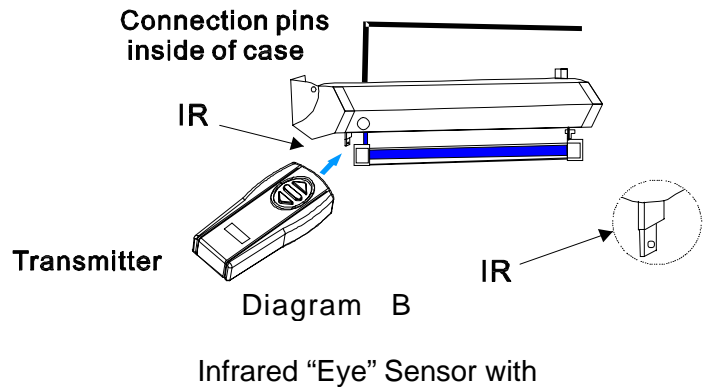
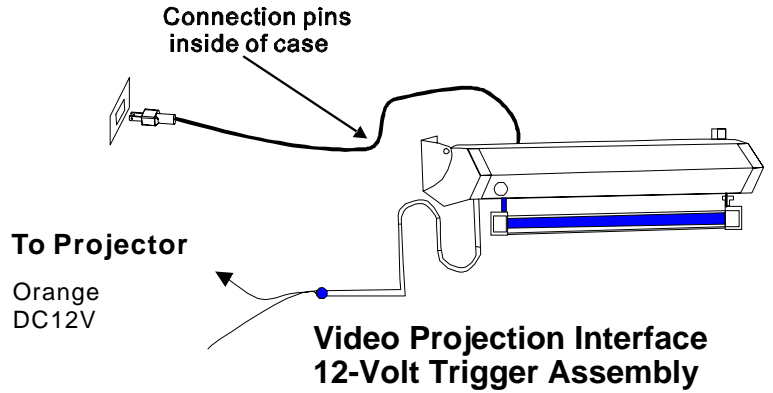
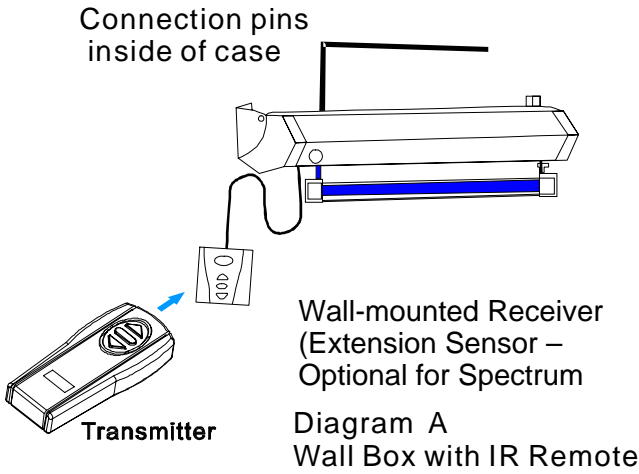
Masonry/ Cement wall installation: Use "D" bolts provided for installing your screen on a cement wall as shown on Fig.2.



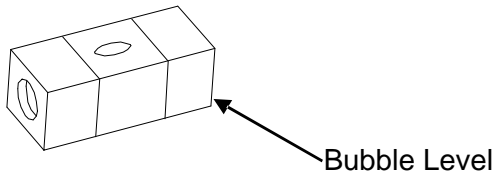
*Once the L-brackets are in place, the screen can be hung from the vertical hooks. Please note that these are only example illustrations and additional hardware may be required for your particular installation. Also, the screen is generally hung directly on the wall screws or bolts without using the optional L-brackets.

OPERATION

The VMAX2 and Spectrum Screens have the capability of using a 12-Volt Trigger. This accessory is optional for Spectrum Screens and can be purchased separately.

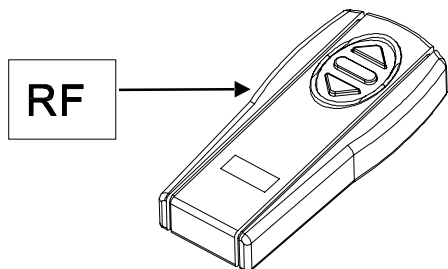


1. Bubble Level: Included with the installation package is a small bubble level that can be useful in determining if the screen is perfectly level when installing.



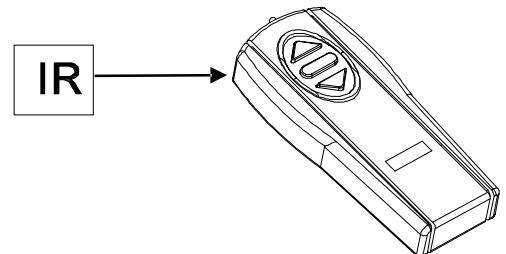
2. Below is the RF remote with a range of 30 Ft.

(Radio Frequency) – Optional for Spectrum Series
Note: When you get the optional RF, you should follow the instruction and adjust the code.



3. Below is the IR remote (Infra Red) With a range of 15 Ft.

(Infra Red)
Note: The light on this remote does not turn on when the buttons are depressed unlike the RF



FAQ's

Note:

If the electric screen does not move, please check the following:

1. Check the power supply and fuse first. The screen will not move without power.
2. Make sure the power cord is plugged to the power outlet.
3. Check all cable connections to see any are disconnected.
4. If the screen works well with the line switch but not with the remote control, make sure that the remote has good batteries in it.

FAQ's

1. Q: How is the Matte White or High Contrast screen material cleaned?
A: The Matte White or Elite High Contrast screen material can be cleaned with mild soap and water.
2. Q: What type of batteries do the remote controls require?
A: The IR and RF remote controls use AAA alkaline batteries
3. Q: Can you manually pull down the screen?
A: Absolutely not, manually pulling down the screen will damage the electronic motor rolling system.
4. Q: Can the electric screen be used in 220-volt outlets?
A: No, the screen can only be used in 110-volt outlets (common household outlet). The 220 volt outlets are for industrial tools and machinery.
5. Q: What is the gain on the matte white screen material?
A: The matte white material has a gain of 1.1.

Note: For more Update FAQ, please visit www.elitescreens.com

Warranty Policy - Electric Screens

One (1) year warranty parts and labor from purchase date as follows (except for refurbished units as specified below):

- Refurbished units carry a 90-day parts and labor warranty.
- Demo units or open box items are AS IS items and do not carry a warranty.
- Each party will be responsible for one way shipping during the warranty period.

An RMA (Return Merchandise Authorization) number must be issued in order to process a replacement. Elite Screens will replace the DOA (Defective On Arrival) unit with a brand new replacement *(see exceptions below) after the DOA unit is received and confirmed defective. Elite Screens will send out a *new unit to the customer by ground service (subject to inventory availability). Should a problem be reported after the 7-day grace period, the item must be shipped to us for warranty repair.

- DOA (Defective On Arrival): Must be reported within 7 business days of delivery.

Missing Parts must be reported within the 7-day (DOA) grace period. If reported after 7 days, customer will be only responsible for shipping and handling fees. If reported after 30 days of receipt, customer is responsible for cost of the parts and shipping & handling fees.

Please visit link below for full warranty information
<http://www.elitescreens.com/service.htm>

Please visit link below for warranty claim
http://www.elitescreens.com/service_form.htm

*A new or refurbished replacement will be sent out to the customer depending on the type of purchase (new or refurbished) or based on stock availability.

REGISTER YOUR ELITE PRODUCT

Two ways to register your warranty with Elite Screens Inc.

A. On Line (Faster and Easier) www.elitescreens.com/register.html

B. Fill out & Fax to (562) 483-8498, Attn: Customer Service Dept.

*Your Name: _____

Address: _____

City/State/Zip _____

*Email Address: _____

*Phone: _____

*Screen Model: _____

*Serial Number: _____

*Date of Purchase: _____

*Dealer / Reseller Purchased from (name of the reseller): _____

What is your Projector Model : _____

Application: Home Education Business Government Other

How would you rate this screen? Excellent Good Ok Improvement needed

Comments:

If you have pictures of your screen you'd like to share with us, please email your pictures to:

eliteinfo@elitescreens.com

Or call us at 877-5 11-1211 – Sales and Marketing Div.

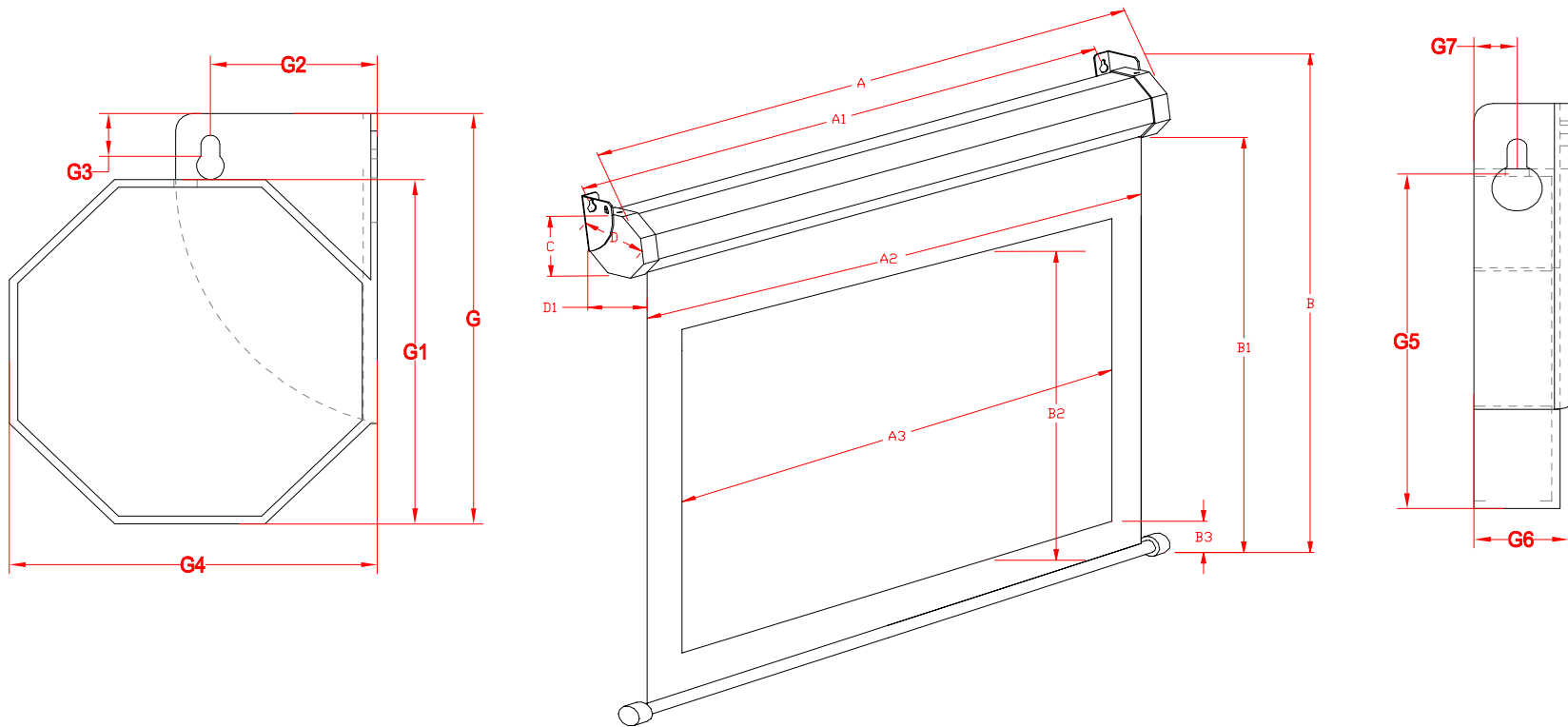
For any technical inquiries, please email to techsupport@elitescreens.com or 877-511-1211 – Customer Service Div

For any warranty claim inquires, please email to rma@elitescreens.com or 877-511-1211 – Customer Service Div.

Elite Screens - Spectrum / VMAX2 Series Dimension Table

Unit: Inches

VMAX2 Model	Case L (A)	Hanging L (A1)	Screen W (A2)	View W (A3)	Bottom Edge (B3)	Screen Material to Bottom Bar (B1)	View H (B2)	Screen TTL H (B)	Case H (C)	Case W (D)	Screen Material to Wall/Case Back (D1)	G	G1	G2	G3	G4	G5	G6	G7
84H	83.98	83.15	77.17	73.23	3.23	54.41	41.18	58.46	3.07	2.99	0.67	3.66	3.07	1.42	0.39	3.11	3.03	0.79	0.35
92H	91.77	90.94	83.94	80.00	3.23	54.33	45.12	58.39	3.07	2.99	0.67	3.66	3.07	1.42	0.39	3.11	3.03	0.79	0.35
100H	98.78	97.95	91.10	87.17	3.23	62.24	49.02	62.28	3.07	2.99	0.67	3.66	3.07	1.42	0.39	3.11	3.03	0.79	0.35
120H	116.38	115.55	108.54	104.61	3.23	68.03	58.82	72.09	3.07	2.99	0.67	3.66	3.07	1.42	0.39	3.11	3.03	0.79	0.35
125H	120.79	119.96	112.95	109.02	3.23	69.02	61.30	73.07	3.07	2.99	0.67	3.66	3.07	1.42	0.39	3.11	3.03	0.79	0.35
84V	77.99	77.17	71.10	67.17	3.23	63.62	50.39	57.68	3.07	2.99	0.67	3.66	3.07	1.42	0.39	3.11	3.03	0.79	0.35
100V	91.77	90.94	83.94	80.00	3.23	68.23	60.00	72.28	3.07	2.99	0.67	3.66	3.07	1.42	0.39	3.11	3.03	0.79	0.35
120V	107.80	106.97	99.92	95.98	3.23	79.21	71.97	83.27	3.07	2.99	0.67	3.66	3.07	1.42	0.39	3.11	3.03	0.79	0.35
135V	119.76	118.94	111.93	107.99	3.23	88.23	80.98	92.28	3.07	2.99	0.67	3.66	3.07	1.42	0.39	3.11	3.03	0.79	0.35
150V	131.77	130.94	123.94	120.00	3.23	97.24	90.00	101.30	3.07	2.99	0.67	3.66	3.07	1.42	0.39	3.11	3.03	0.79	0.35
113S	91.77	90.94	83.86	79.92	3.23	86.14	79.92	90.28	3.07	2.99	0.67	3.66	3.07	1.42	0.39	3.11	3.03	0.79	0.35
136S	106.77	105.94	100.12	96.18	3.23	102.40	96.18	118.27	3.07	2.99	0.67	3.66	3.07	1.42	0.39	3.11	3.03	0.79	0.35
153S	119.76	118.94	112.13	108.19	3.23	114.41	108.19	118.54	3.07	2.99	0.67	3.66	3.07	1.42	0.39	3.11	3.03	0.79	0.35



Elite Electric/Motorized Screen Feature Comparison Table

Feature / Elite Screens Series	Spectrum	VMAX	VMAX Plus	VMAX2	VMAX2 Plus	Home	Home2	CineTension	CineTension2	Home3	CineTension3
IR (Infrared) Remote Control	●	●	●	●	●	●	●	●	●	●	●
RF (Radio Frequency) Remote Control	Optional	●	●	●	●		●	●	●	●	●
Low-Voltage 3-Way Wall Switch with (RJ45 Connection)	Optional	N/A	N/A	●	●	●	●		●	●	●
Black Eye - Extended IR Receiver (RJ45 connection)	Optional	N/A	N/A	●	●	N/A	●	N/A	●	●	●
Internal IR & RF Receiver (Eliminates Hanging Receiver Beside Screen)	●	External 3-Way Wall Box Receiver	External 3-Way Wall Box Receiver	●	●	External 3-Way Wall Box Receiver	●	External 3-Way Wall Box Receiver	●	●	●
Elite Screens IR Universal Learning Remote Control (Multi-Media Control for Screen, Projector, TV, DVD.... Etc.)	Optional	N/A	N/A	Optional	Optional	Optional	Optional	Optional	Optional	●	●
Built-In 12V Trigger (RJ 45 Connection), synchronizes screen drop/rise with the projector's power cycle	●	N/A	N/A	●	●	Optional External Adapter	●	Optional External Adapter	●	●	●
12V Trigger Adaptor (with RJ45 Connection)	●	N/A	N/A	●	●	N/A	●	N/A	●	●	●
Aluminum Casing with Sliding Installation Brackets	N/A	N/A	N/A	N/A	N/A	●	●	●	●	●	●
Fiber Glass-Backed Screen Material (Fiber glass backing provides a flatter projection surface for higher end projectors)	N/A	N/A	N/A	N/A	N/A	●	●	N/A	N/A	●	N/A
3-Types of tension screen materials; CineGray, CineWhite and PowerGain	N/A	N/A	N/A	N/A	N/A	N/A	N/A	N/A	●	N/A	●
Two Year Warranty for ProAV and CEDIA Channels (Requires Custom Installer Pre-Register)	Optional	Optional	Optional	Optional	Optional	N/A	Optional	Optional	Optional	●	●
Synchronized Motor (Quiet, Slower & Power Efficient)	●	●	N/A	●	N/A	N/A	N/A	N/A	N/A	N/A	N/A
Tubular Motor (Faster operation with a higher weight threshold)	N/A	N/A	●	N/A	●	●	●	●	●	●	●
Screen Size Available for immediate orders	84"-125"	84"-180"	180"-235"	84" - 180"	180"-235" / Custom Size	75"- 200"	75"- 200"	84"-135"	84"-150"	75"- 200"	84"-150"
Aspect Ratios (Formats) Available	4:3 / 16:9	1:1 / 4:3 / 16:9	1:1 / 4:3 / 16:9	1:1 / 4:3 / 16:9	1:1 / 4:3 / 16:9	1:1 / 4:3 / 16:9	1:1 / 4:3 / 16:9	4:3 / 16:9	4:3 / 16:9	1:1 / 4:3 / 16:9	4:3 / 16:9
Channels	.com / Retailer / Dist.	.com / Retailer / Dist.	Installer	Dist. / Retailer / Installer	Installer	Installer	Installer / Dist.	Installer	Installer / Dist.	Custom Install Only	Custom Install Only
Self-Installation	Easy	Easy	Installer Needed	Easy	Installer Needed	Easy	Installer Prefer	Easy	Installer Prefer	Installer Needed	Installer Needed
Available Screen Material Types	PearlWhite	PearlWhite, SilverGrey	PearlWhite	Matte White	Matte White	Matte White	Matte White	CineWhite, CineGrey, PowerGain	CineWhite, CineGrey, PowerGain	Matte White	CineWhite, CineGrey, PowerGain
MSRP Price Range	\$249 - \$389	\$369 - \$739	\$1159 - \$1999	\$399 - \$949	\$1159 - \$1999	\$789 - \$1699	\$789 - \$1699	\$789 - \$1699	\$789 - \$1699	\$789 - \$1699	\$799 - \$1999
Availability	In Stock	In Stock	In Stock	In Stock	In Stock	In Stock	May . 2007	In Stock	In Stock	May. 2007	In Stock

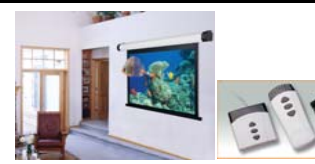
● Standard (Included)
 ○ Optional : Not Included, but Optional to Purchase
 N/A: Not Included and No Optional to Purchase



Picture of Universal Remote Control (Model: ZR800D)



Picture of Spectrum, VMAX (2) (Plus) in White Case



Picture of Home (2,3) Series



Picture of CineTension (2,3)