

AIR CONDITIONER

Use & Care Guide

For questions about features, operation/performance, parts accessories
or service call: 1-800-253-1301

ACONDICIONADOR DE AIRE

Manual de Uso y Cuidado

Si tiene preguntas respecto a las características, funcionamiento,
rendimiento, partes, accesorios o servicio técnico,
llame al: 1-800-253-1301

Table of Contents/Índice	2
--------------------------------	---

TABLE OF CONTENTS

AIR CONDITIONER SAFETY	2
INSTALLATION REQUIREMENTS	3
Tools and Parts	3
Location Requirements	3
Electrical Requirements	4
INSTALLATION INSTRUCTIONS	5
Unpack the Air Conditioner	5
SMART-MOUNT™ Tray Installation	5
Prepare Air Conditioner for Installation	7
Position the Air Conditioner	8
Complete Installation	10
AIR CONDITIONER USE	10
Starting Your Air Conditioner - Digital Control	10
Starting Your Air Conditioner - Rotary Control	13
Changing Air Direction	14
Normal Sounds	14
AIR CONDITIONER CARE	14
Cleaning the Air Filter	14
Cleaning the Front Panel	14
Paint Damage Repair	14
Annual Maintenance	14
TROUBLESHOOTING	15
ASSISTANCE OR SERVICE	16
In the U.S.A.	16
Accessories	16

ÍNDICE

SEGURIDAD DEL ACONDICIONADOR DE AIRE	17
REQUISITOS DE INSTALACIÓN	17
Herramientas y piezas	17
Requisitos para la ubicación	18
Requisitos eléctricos	18
INSTRUCCIONES DE INSTALACIÓN	19
Desempaque el acondicionador de aire	19
Instalación de la bandeja SMART-MOUNT™	19
Prepare el acondicionador de aire para la instalación	21
Colocación del acondicionador de aire	23
Complete la instalación	24
CÓMO USAR SU ACONDICIONADOR DE AIRE	25
Cómo poner en marcha su acondicionador de aire - Control digital	25
Cómo poner en marcha su acondicionador de aire - Control rotativo	28
Cómo cambiar la dirección del aire	29
Sonidos normales	29
CÓMO CUIDAR SU ACONDICIONADOR DE AIRE	29
Limpieza del filtro de aire	29
Limpieza del panel delantero	29
Reparación de la pintura dañada	29
Mantenimiento anual	29
SOLUCIÓN DE PROBLEMAS	30
AYUDA O SERVICIO TÉCNICO	31
En los EE.UU.	31
Accesorios	31

AIR CONDITIONER SAFETY

Your safety and the safety of others are very important.

We have provided many important safety messages in this manual and on your appliance. Always read and obey all safety messages.



This is the safety alert symbol.

This symbol alerts you to potential hazards that can kill or hurt you and others.

All safety messages will follow the safety alert symbol and either the word "DANGER" or "WARNING." These words mean:

! DANGER

You can be killed or seriously injured if you don't immediately follow instructions.

! WARNING

You can be killed or seriously injured if you don't follow instructions.

All safety messages will tell you what the potential hazard is, tell you how to reduce the chance of injury, and tell you what can happen if the instructions are not followed.

IMPORTANT SAFETY INSTRUCTIONS

WARNING: To reduce the risk of fire, electrical shock or injury when using your air conditioner, follow these basic precautions:

- Plug into a grounded 3 prong outlet.
- Do not use an extension cord.
- Do not remove ground prong.
- Unplug air conditioner before servicing.
- Do not use an adapter.
- Use two or more people to move and install air conditioner.

SAVE THESE INSTRUCTIONS

INSTALLATION REQUIREMENTS

Tools and Parts

Check that you have everything necessary for correct installation. Proper installation is your responsibility.

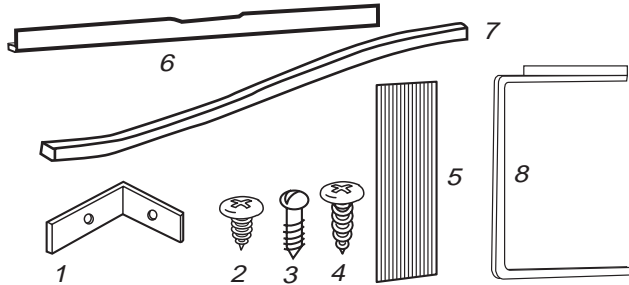
Tools needed

- Safety glasses
- Scissors
- Flat-blade and Phillips screwdrivers
- Tape measure
- ¼ in. nut driver
- Level
- 7/16 in. wrench
- Drill
- 3/32 in. or smaller drill bit

Parts supplied

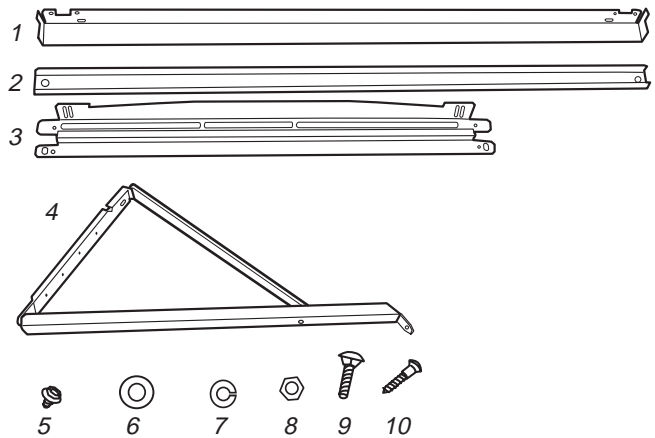
Check that all parts are included in parts package.

Air conditioner installation



- | | |
|--|--|
| <ul style="list-style-type: none"> 1. 1 window-lock bracket 2. 6 - #8 x 3/8 in. pan-head screws 3. 3 - #8 x 3/4 in. round-head screws 4. 3 - #10 x 3/8 in. pan-head screws | <ul style="list-style-type: none"> 5. 2 side curtains 6. 1 top channel 7. 1 foam seal 8. 2 side curtain frames |
|--|--|

SMART-MOUNT™ tray assembly installation



- | | |
|--|--|
| <ul style="list-style-type: none"> 1. 1 tray back 2. 1 tray center 3. 2 tray sides 4. 2 support legs 5. 4 - #8 - 18 x 1/4 in. hex-head screws | <ul style="list-style-type: none"> 6. 4 flat washers 7. 4 lock washers 8. 4 hex nuts 9. 4 carriage bolts 10. 2 - #10 - 12 x 1 1/2 in. slot-head wood screws |
|--|--|

Location Requirements

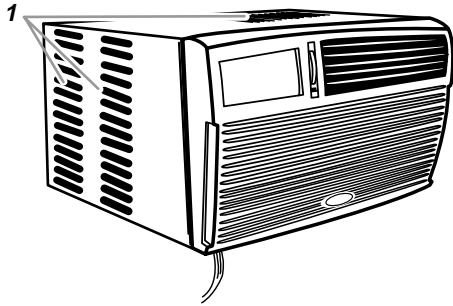
IMPORTANT: Observe all governing codes and ordinances.

Check the location where the air conditioner will be installed. Proper installation is your responsibility. Make sure you have everything necessary for correct installation.

The location should provide:

- Grounded electrical outlet within 4 ft (122 cm) of where the power cord exits the air conditioner.
- **NOTE:** Do not use an extension cord.
- Free movement of air to rooms to be cooled.
- A large enough opening for the air conditioner. Installation parts are supplied for double-hung windows.
- Adequate wall support for weight of air conditioner. Air conditioner weighs 80 lbs (36.3 kg) to 125 lbs (56.7 kg).

NOTE: Cabinet louvers must not be obstructed. Air must be able to pass freely through the cabinet louvers.

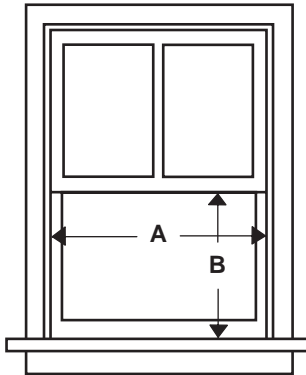


1. Cabinet louvers

Window installation

Window opening measurements:

- 27 in. (68.6 cm) minimum to 40 in. (101.6 cm) maximum opening width.
- 19 in. (48.3 cm) minimum opening height.



A. 27 in. (68.6 cm) minimum
B. 19 in. (48.3 cm) minimum

Electrical Requirements

⚠ WARNING



Electrical Shock Hazard

- Plug into a grounded 3 prong outlet.**
- Do not remove ground prong.**
- Do not use an adapter.**
- Do not use an extension cord.**
- Failure to follow these instructions can result in death, fire, or electrical shock.**

The electrical ratings for your air conditioner are listed on the model and serial number label. The model and serial number label is located on the right-hand side of the cabinet.

Specific electrical requirements are listed in the chart below. Follow the requirements for the type of plug on the power supply cord.

Power supply cord plug outlet	Wiring requirements
	<ul style="list-style-type: none"> ■ 115 volt (103.5 min. - 126.5 max.) ■ 0-12 amperes ■ 15-amp time-delay fuse or circuit breaker ■ Use on single outlet circuit only.
	<ul style="list-style-type: none"> ■ 230 volt (207 min. - 253 max.) ■ 0-12 amperes ■ 15-amp time-delay fuse or circuit breaker ■ Use on single outlet circuit only.

Recommended ground method

For your personal safety, this air conditioner must be grounded. This air conditioner is equipped with a power supply cord having a grounded 3 prong plug. To minimize possible shock hazard, the cord must be plugged into a mating, grounded 3 prong outlet, grounded in accordance with all local codes and ordinances. If a mating outlet is not available, it is the customer's responsibility to have a properly grounded 3 prong outlet installed by a qualified electrical installer.

It is the customer's responsibility:

- To contact a qualified electrical installer.
- To assure that the electrical installation is adequate and in conformance with National Electrical Code, ANSI/NFPA 70 - latest edition, and all local codes and ordinances.

Copies of the standards listed may be obtained from:

National Fire Protection Association
One Batterymarch Park
Quincy, Massachusetts 02269

INSTALLATION INSTRUCTIONS

Unpack the Air Conditioner

! WARNING

Excessive Weight Hazard

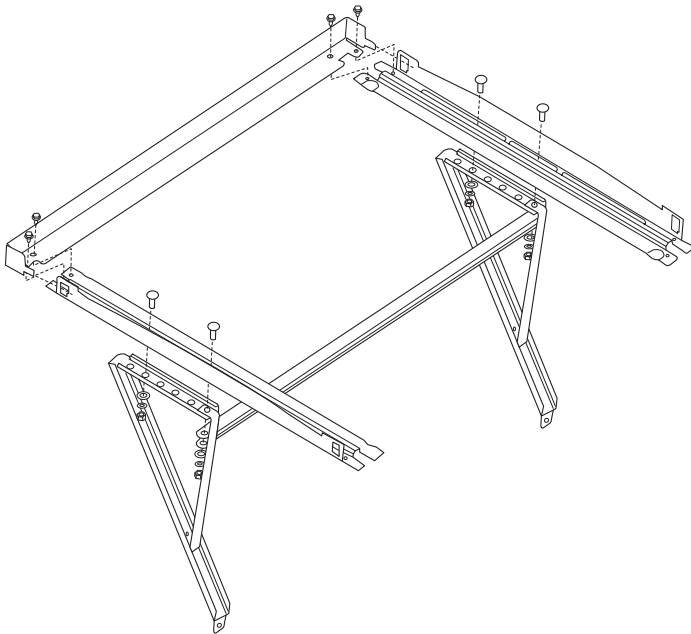
Use two or more people to move and install air conditioner.

Failure to do so can result in back or other injury.

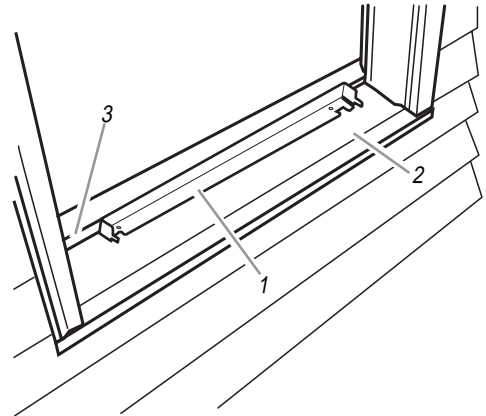
Remove packaging materials

- Remove and properly dispose of packaging materials. Remove tape and glue residue from surfaces before turning on the air conditioner. Rub a small amount of liquid dish soap over the adhesive with your fingers. Wipe with warm water and dry.
- Do not use sharp instruments, rubbing alcohol, flammable fluids, or abrasive cleaners to remove tape or glue. These products can damage the surface of your air conditioner.

SMART-MOUNT™ Tray Installation

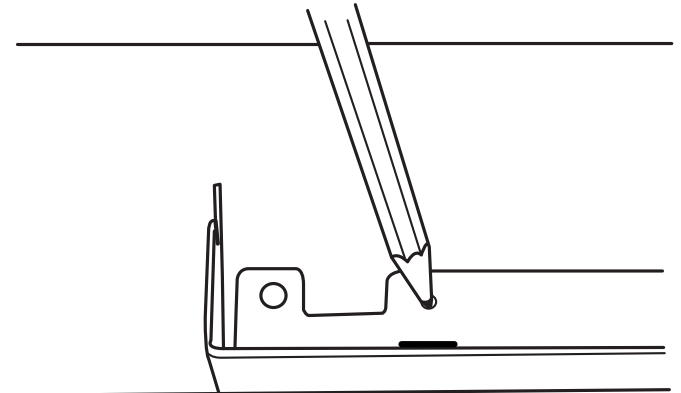


1. Using the tray back as a template, center in windowsill against outside edge of stool.

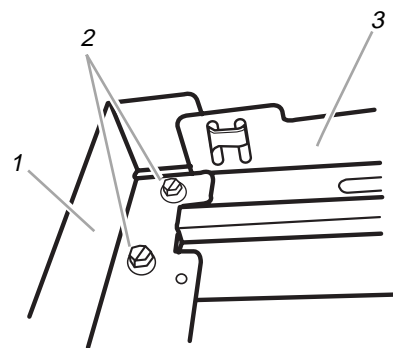


1. Tray back
2. Windowsill
3. Outside edge of stool

2. Using the 2 inside screw holes in tray back, mark screw locations on windowsill for mounting the SMART-MOUNT™ tray.



3. Remove tray back. Using these marks, drill $\frac{3}{32}$ in. pilot holes in the windowsill approximately $1\frac{1}{2}$ in. deep.
4. To assemble the tray frame, insert tab on tray back into slot on tray side. Check to see that the tab is engaged and the 2 pieces are aligned. Insert 2 - #8 - 18 x $\frac{1}{4}$ in. hex-head screws to secure.
5. Repeat with other tray side.

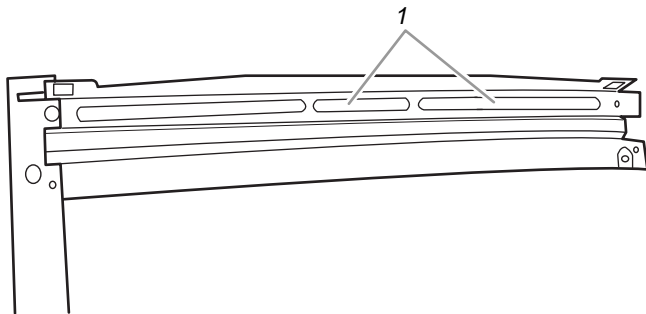


1. Tray back
2. #8 - 18 x $\frac{1}{4}$ in. hex-head screws
3. Tray side

Attach support legs

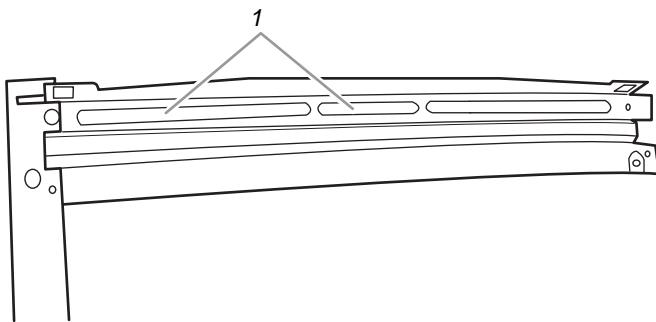
1. Determine the correct slots on the tray side from the type of exterior construction of the building.

Thin wall construction (vinyl, wood, etc.)



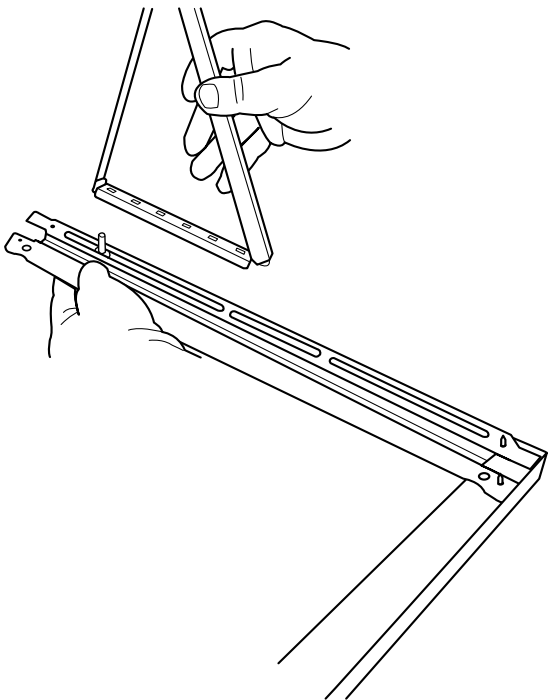
1. 1st and 2nd slots

Thick wall construction (brick)

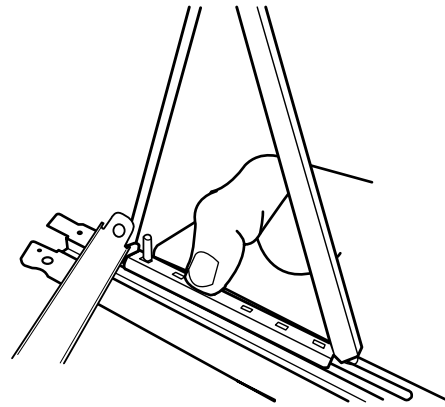


1. 2nd and 3rd slots

2. Insert carriage bolt up through slot on tray-frame side and support leg.

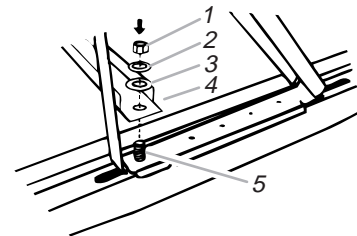


3. Place one end of tray center over carriage bolt.



4. Then place flat washer, lock washer and hex nut.

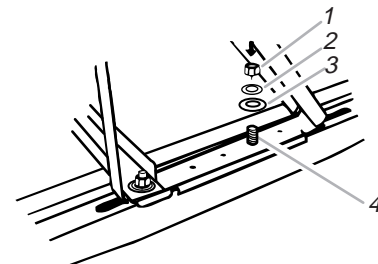
NOTE: Do not tighten. The leg must be able to move freely to adjust angle when installed.



1. Hex nut
2. Lock washer
3. Flat washer
4. Tray center
5. Carriage bolt

5. Insert second carriage bolt through tray side and attach other end of support leg.

NOTE: Do not tighten. The leg must be able to move freely to adjust angle when installed.

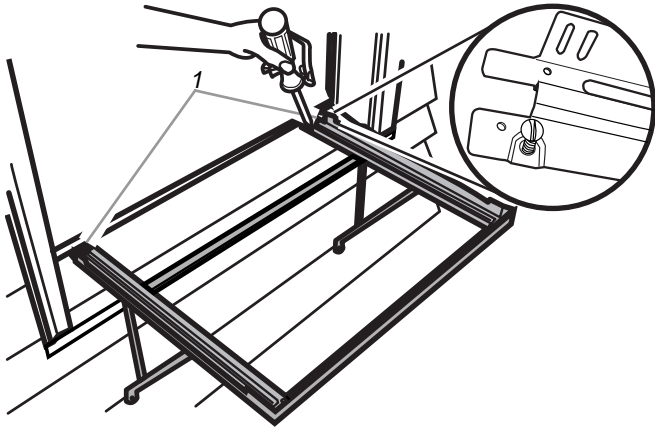


1. Hex nut
2. Lock washer
3. Flat washer
4. Carriage bolt

6. Install support leg on other side.

Install in window

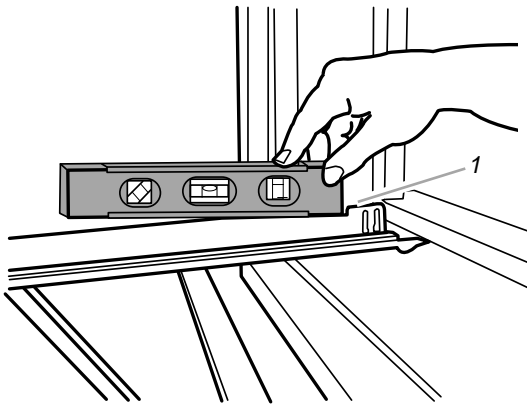
1. From inside, place SMART-MOUNT™ tray, support legs facing down, in the window. Match the holes in tray side with the predrilled holes in windowsill.
2. Using 2 - #10 - 12 x 1½ in. slot-head wood screws, secure the tray-frame assembly to the window.



1. #10 - 12 x 1½ in. slot-head wood screws

NOTE: If the exterior of building can be damaged by support legs, place a board between the wall and support legs.

3. With tray center pushed away from the windowsill, place a level on the angled edge of tray side. Check to be sure level is against notch on tray side. Adjust SMART-MOUNT™ tray until bubble indicates level.

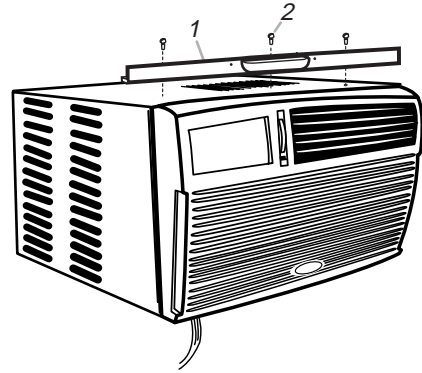


1. Place level on angled edge against notch on tray side

4. Tighten the hex nut just enough to hold tray center in place.
5. Repeat with other side.
6. Tighten hex nuts securely with 7/16 in. wrench.

Prepare Air Conditioner for Installation

1. Locate provided bag of pan-head screws.
2. Place the top channel on top of the air conditioner, lining up the holes in top channel with the holes on top of air conditioner.
3. Using 3 - #10 x 3/8 in. pan-head screws, attach top channel to air conditioner.

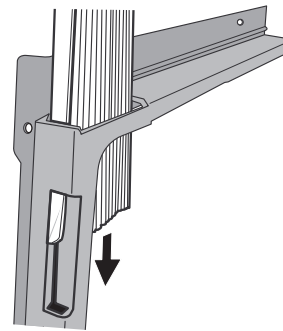
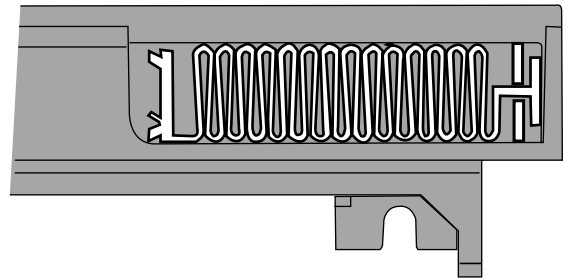


1. Top channel
2. #10 x 3/8 in. pan-head screw

Install side curtains

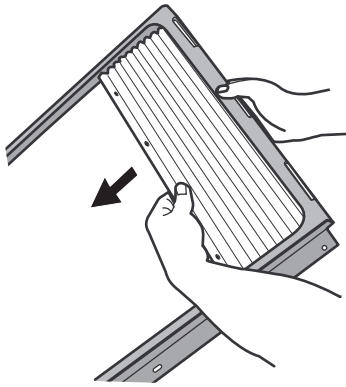
NOTE: Attach curtains to unit before placing unit in window.

1. Insert curtain into curtain frame. Make sure the curtain end locks into curtain frame.



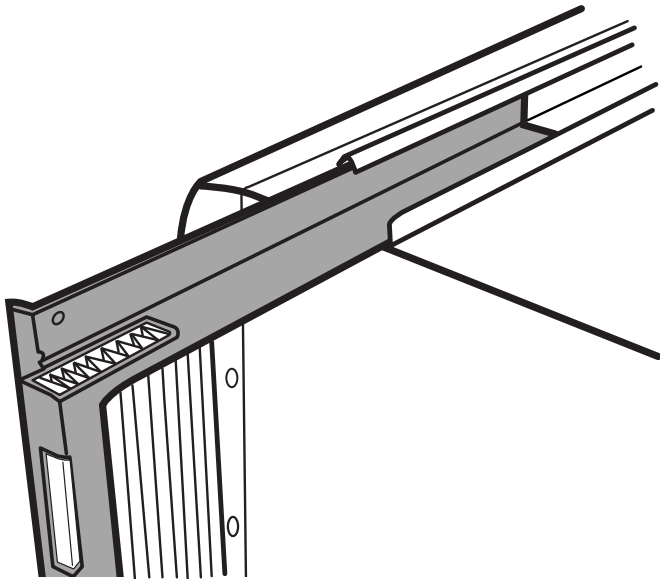
2. Push curtain in all the way.

3. Pull curtain toward open end of curtain frame.

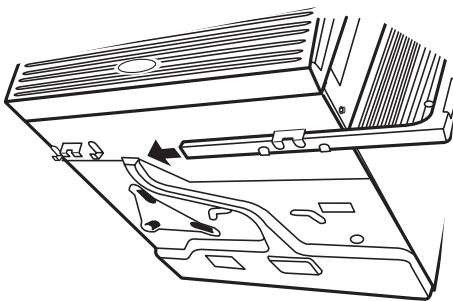


4. Insert top and then bottom of right-hand curtain frame in top and bottom curtain guides on air conditioner.

Top view

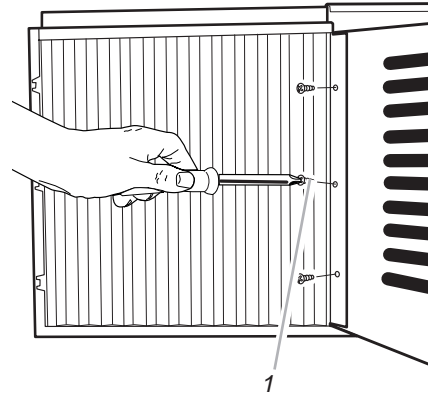


Bottom view



5. Extend right-hand curtain outward so you may insert the first screw through the middle hole of the curtain. Using a #8 x 3/8 in. pan-head screw, screw curtain to middle hole in air conditioner cabinet.

NOTE: This screw is required to correctly attach curtain (top to bottom) to the air conditioner cabinet.



1. #8 x 3/8 in. pan-head screw

6. While the right-hand curtain is still extended, insert screws into top and bottom slots of curtain. Using #8 x 3/8 in. pan-head screws, screw curtain to the top and bottom holes in air conditioner cabinet.
7. Slide curtain housing into guides as far as it will go.
8. Repeat above steps for left-hand curtain.

Position the Air Conditioner

- Handle air conditioner with care.
- Be sure your air conditioner does not fall out of the opening during installation or removal.
- The place where the power cord exits the air conditioner should be no more than 4 ft (122 cm) from a grounded outlet.
- Do not block the louvers on the front panel.
- Do not block the louvers on the outside of the air conditioner.

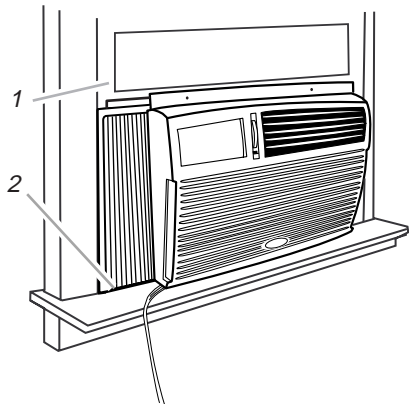
⚠ WARNING

Excessive Weight Hazard

Use two or more people to move and install air conditioner.

Failure to do so can result in back or other injury.

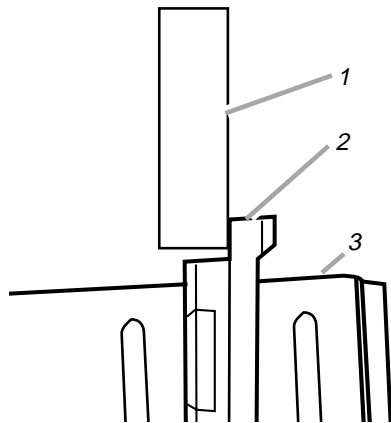
1. Put air conditioner on SMART-MOUNT™ tray. Check that feet on bottom of air conditioner are behind and against back side of windowsill. Lower window sash.



1. Window sash
2. Feet on bottom of air conditioner behind back side of windowsill

2. If window sash does not close flush against rear surface of top channel, remove air conditioner and adjust SMART-MOUNT™ tray until window sash closes flush against rear surface of top channel.

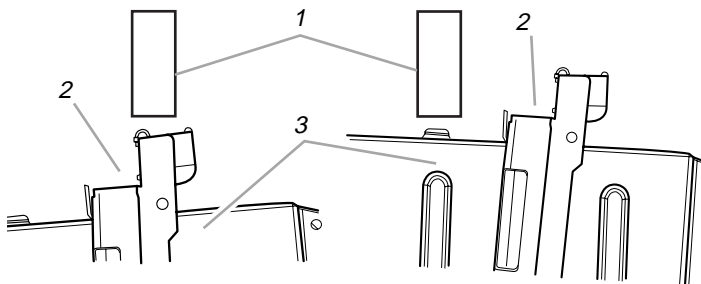
Correct installation



1. Window sash
2. Top channel
3. Air conditioner

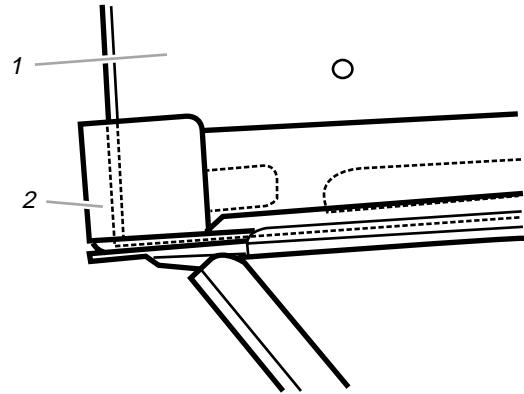
If your air conditioner looks like either of the illustrations in the “Incorrect installation” graphic, SMART-MOUNT™ tray needs adjustment.

Incorrect installation



1. Window sash
2. Top channel
3. Air conditioner

3. If the bottom of the air conditioner does not sit against the bottom of the SMART-MOUNT™ tray, remove air conditioner and adjust angle of tray until air conditioner sits against the bottom of the tray.

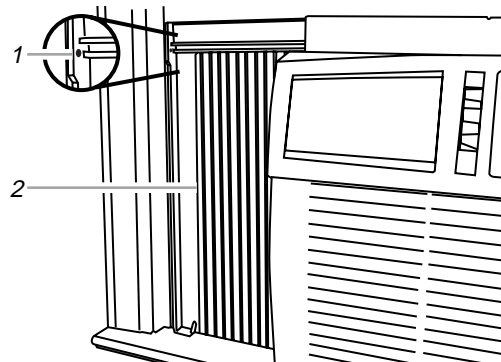


1. Air conditioner sitting on SMART-MOUNT™ tray
2. SMART-MOUNT™ tray

Attach side curtains to window

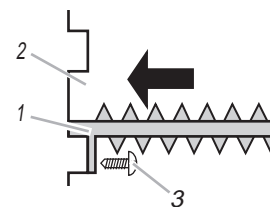
1. Pull left-hand curtain frame out until it fits into the window channel. Repeat with right-hand curtain frame.
2. Insert one of the #8 x 3/4 in. round-head screws through left-hand curtain frame and into the window channel to fasten the curtain frame to the window.
3. Repeat for right-hand curtain frame.

Front view



1. Hole for #8 x 3/4 in. round-head screw
2. Side curtain

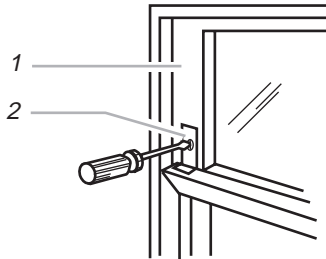
Top view



1. Side curtain against window channel
2. Window channel
3. #8 x 3/4 in. round-head screw

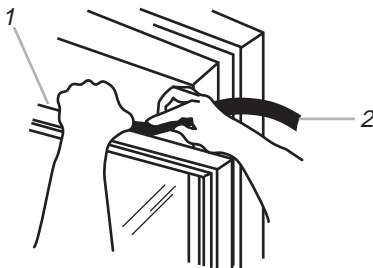
Complete Installation

1. Place window-lock bracket on top of lower window and against upper window sash.
2. Use a $\frac{3}{32}$ in. drill bit to drill a starter hole through the hole in the bracket into the window sash.
3. Attach window-lock bracket to window sash with #8 x $\frac{3}{4}$ in. round-head screw to secure window in place.



1. Upper window sash
2. Window-lock bracket

4. Insert foam seal behind the top of the lower window sash and against the glass of the upper window.



1. Lower window sash
2. Foam seal

⚠ WARNING



Electrical Shock Hazard

Plug into a grounded 3 prong outlet.

Do not remove ground prong.

Do not use an adapter.

Do not use an extension cord.

Failure to follow these instructions can result in death, fire, or electrical shock.

5. Plug into a grounded 3 prong outlet.

AIR CONDITIONER USE

Operating your air conditioner properly helps you to obtain the best possible results.

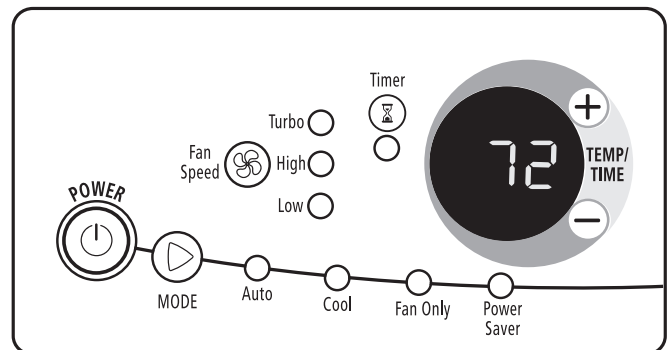
This section explains proper air conditioner operation.

IMPORTANT:

- If you turn off the air conditioner, wait at least 3 minutes before turning it back on. This prevents the air conditioner from blowing a fuse or tripping a circuit breaker.
- Do not try to operate your air conditioner in the cooling mode when outside temperature is below 65°F (18°C). The inside evaporator coil will freeze up, and the air conditioner will not operate properly.

NOTE: In the event of a power failure, your air conditioner will operate at the previous settings when the power is restored.

Starting Your Air Conditioner - Digital Control



1. Remove clear protective film from control panel and front panel badge.
2. Press POWER to turn on air conditioner.



NOTE: When air conditioner is turned on for the first time after it is plugged in, it will display the default settings: Cool mode, Turbo fan speed, 72°F (22°C). When it is turned on at all other times, it will display the previous settings.

3. Select mode. See "Mode."
4. Select fan speed. See "Fan Speed."
5. Set temperature. See "Temperature."

Mode

1. Press MODE until you see the indicator light come on for the setting you desire.
2. Choose AUTO, COOL, FAN ONLY or POWER SAVER.

- Auto - Cools room while it automatically controls fan speed. You cannot change fan speed, but you can adjust temperature by pressing the plus or minus button.

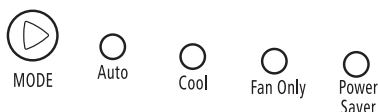
- Cool - Cools room. You can select fan speed by pressing Fan Speed. You can then adjust temperature by pressing the plus or minus button.

- Fan Only - Only the fan runs. Display shows "FO" (fan only).

NOTE: Fan runs on Turbo speed only.

- Power Saver - Fan runs only when cooling is needed. Fan stops running when the room temperature matches the Temperature control setting.

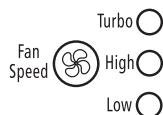
Since the fan does not circulate the room air continuously, less energy is used, but the room air is not circulated as often. Use Power Saver when you are asleep or away from home.



Fan Speed

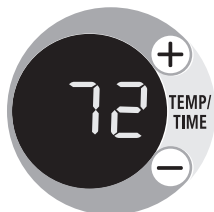
NOTE: The Fan Speed button will operate only when Cool or Power Saver mode has been selected.

1. Press FAN SPEED until you see the indicator light come on for the setting you desire.
2. Choose TURBO, HIGH or LOW.



Temperature

- Press the plus button to raise the temperature. Each time you press or hold the plus button, the temperature will go up 1° until it reaches 86°F (30°C).



- Press the minus button to lower the temperature. Each time you press or hold the minus button, the temperature will go down 1° until it reaches 64°F (18°C).

To change the temperature display from °F to °C:

1. Turn off the air conditioner.
2. While the air conditioner is off, press and hold down the MODE and FAN SPEED buttons while pressing POWER to turn the air conditioner on.

NOTE: Follow these same steps to change the temperature display from °C to °F.

Timer delay

To set the Timer for a 1- to 24-hour delay until the air conditioner turns off (the air conditioner must be On):

1. Press TIMER. Indicator light will flash.



2. Press the plus or minus button to adjust the delay time (1 to 24 hours).
3. Press TIMER again or wait 10 seconds. Indicator light will remain on.

To set the Timer to turn on the air conditioner, keeping previous settings:

1. Turn off air conditioner.
2. Press TIMER. Indicator light will flash.
3. Press the plus or minus button to change delay time (1 to 24 hours).
4. Press TIMER again or wait 10 seconds. Indicator light will remain on.

To set the Timer to turn on the air conditioner, changing the previous settings:

1. Turn air conditioner on.
2. Adjust MODE to Auto, Cool, Fan Only, or Power Saver.
3. Adjust FAN SPEED to Turbo, High or Low.
4. Adjust temperature between 64°F (18°C) and 86°F (30°C).
5. Wait 3 seconds before turning off air conditioner.
6. Press TIMER. Indicator light will flash.
7. Press the plus or minus button to change delay time (1 to 24 hours).
8. Press TIMER again or wait 10 seconds. Indicator light will remain on.

To clear Timer delay program:

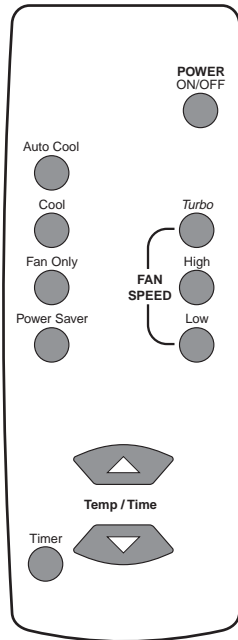
NOTE: Air conditioner can be either on or off.

Press and hold TIMER for 3 seconds. Indicator light will shut off.

To see the remaining time (in hours):

1. Press TIMER once after it has been programmed.
2. While the display is showing the remaining time, you can press the plus or minus button to increase or decrease the time.

To operate air conditioner with remote control



NOTE: Two AA batteries (not included) power the remote control. Replace batteries after 6 months of use, or when the remote control starts to lose power.

To turn the air conditioner on or off:

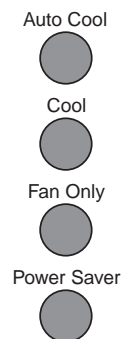
Press POWER ON/OFF.



To select the mode:

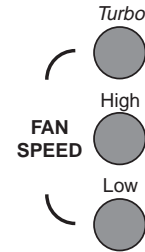
Press AUTO COOL, COOL, FAN ONLY, or POWER SAVER.

- Auto Cool - fan speed is adjusted automatically.
- Fan Only - fan speed is automatically set at Turbo.
- Cool or Power Saver - you can adjust the fan speed.



To select the fan speed (in Cool or Power Saver mode only):

Press TURBO, HIGH or LOW.



To raise the temperature:

Press the up arrow button. Each time you press or hold the up arrow button, the temperature will increase 1° until it reaches 86°F (30°C).



To lower the temperature:

Press the down arrow button. Each time you press or hold the down arrow button, the temperature will decrease 1° until it reaches 64°F (18°C).



To set the Timer for a 1- to 24-hour delay until the air conditioner turns off (the air conditioner must be On):

1. Press TIMER. Indicator light on air conditioner will flash.



2. Press the up arrow or down arrow button to change delay time (1 to 24 hours).
3. Press TIMER again or wait 10 seconds. Indicator light on air conditioner will remain on.

To set Timer to turn on air conditioner, keeping previous settings:

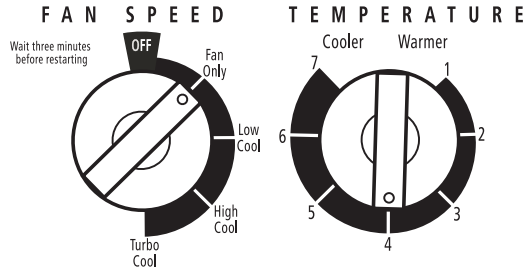
1. Turn off air conditioner.
2. Press TIMER. Indicator light on air conditioner will flash.
3. Press the up arrow or down arrow button to change delay time (1 to 24 hours).
4. Press TIMER again or wait 10 seconds. Indicator light on air conditioner will remain on.

To set Timer to turn on air conditioner, changing the previous settings:

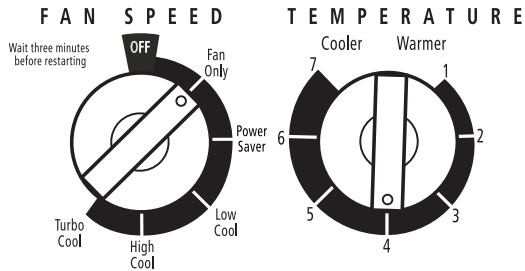
1. Turn on air conditioner.
2. Adjust MODE to Auto, Cool, Fan Only, or Power Saver.
3. Adjust FAN SPEED to Turbo, High or Low.
4. Adjust temperature between 64°F (18°C) and 86°F (30°C).
5. Wait 3 seconds before turning off air conditioner.
6. Press TIMER. Indicator light on air conditioner will flash.
7. Press the up arrow or down arrow button to change delay time (1 to 24 hours).
8. Press TIMER again or wait 10 seconds. Indicator light on air conditioner will remain on.

Starting Your Air Conditioner - Rotary Control

Models without Power Saver



Models with Power Saver

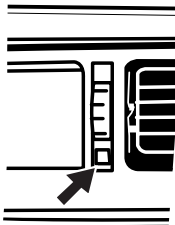


1. Remove clear protective film from front panel badge (on some models).
2. Set exhaust control. See “Exhaust Control (on some models).”
3. Select the fan speed. See “Fan Speed.”
4. Select temperature. See “Temperature.”

Exhaust Control (on some models)

Push the Exhaust control CLOSED for maximum continuous cooling. Pull the Exhaust control OPEN to allow you to draw stale or smoky air from the room.

- Open - pull to exhaust room air to the outside
- Closed - push to circulate room air



The Exhaust control will function only when the Fan Speed control is operating.

Fan Speed

Set FAN SPEED to the desired setting. When the air conditioner is operating at Low Cool, High Cool, or Turbo Cool, the fan circulates air continuously.

- Turbo Cool - for maximum cooling
- High Cool - for normal cooling
- Low Cool - for sleeping comfort
- Fan Only - to move air continuously without cooling

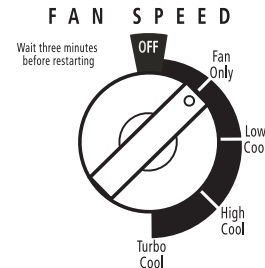
NOTE: Fan runs on Turbo speed only.

- Power Saver (on some models) - fan runs only when cooling is needed. Fan stops circulating air when the room temperature matches the Temperature control setting.

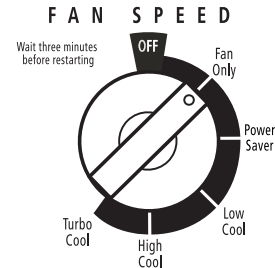
Since the fan does not circulate the room air continuously, less energy is used, but the room air is not circulated as often. Use Power Saver when you are asleep or away from home.

NOTE: Fan runs on Low speed only.

Models without Power Saver

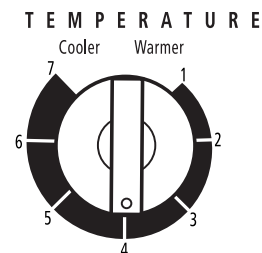


Models with Power Saver



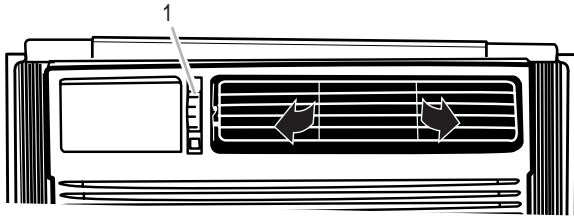
Temperature

Turn the TEMPERATURE control to a mid-setting. Adjust the air conditioner's performance by turning the Temperature control clockwise for maximum cooling. For less cooling, turn the TEMPERATURE control counterclockwise. Experiment to find the setting that suits you best.

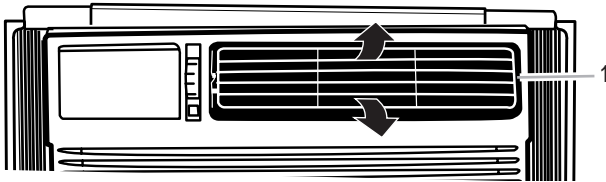


Changing Air Direction

Roll the wheel to direct the air right or left. Rotate the whole cartridge to direct air up, down or straight ahead.



1. Wheel



1. Cartridge

Normal Sounds

When your air conditioner is operating normally, you may hear sounds such as:

- Droplets of water hitting the condenser, causing a pinging or clicking sound. The water droplets help cool the condenser.
- Air movement from the fan.
- Clicks from the thermostat cycle.
- Vibrations or noise due to poor wall or window construction.
- A high-pitched hum or pulsating noise caused by the modern high-efficiency compressor cycling on and off.

AIR CONDITIONER CARE

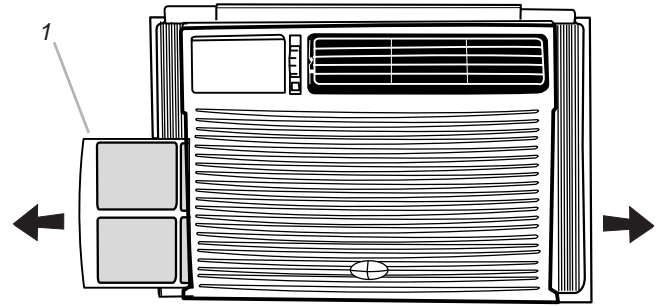
Your new air conditioner is designed to give you many years of dependable service. This section tells you how to clean and care for your air conditioner properly. Call your local authorized dealer for an annual checkup. Remember... the cost of this service call is your responsibility.

Cleaning the Air Filter

The air filter is removable for easy cleaning. A clean filter helps remove dust, lint, and other particles from the air and is important for best cooling and operating efficiency. Check the filter every 2 weeks to see whether it needs cleaning.

NOTE: Do not operate the air conditioner without the filter in place.

1. Turn off air conditioner.
2. Remove air filter by sliding filter out from either side of unit.



1. Filter may be removed from either side.

3. Use a vacuum cleaner to clean air filter. If air filter is very dirty, wash it in warm water with a mild detergent. Do not wash air filter in the dishwasher or use any chemical cleaners. Air dry filter completely before replacing to ensure maximum efficiency.
4. Replace air filter by sliding filter back into either side of unit.

Cleaning the Front Panel

1. Unplug air conditioner or disconnect power.
2. Remove the air filter and clean it separately. See "Cleaning the Air Filter."
3. Wipe the front panel with a soft, damp cloth.
4. Air dry front panel completely.
5. Plug in air conditioner or reconnect power.

Paint Damage Repair

Check once or twice a year for paint damage. This is very important, especially in areas near oceans or where rust is a problem. If needed, touch up with a good grade enamel paint.

NOTE: To reduce paint damage during the winter, install a heavy-duty cover over air conditioner cabinet. For information on ordering a heavy-duty cover, see "Accessories" section.

Annual Maintenance

Your air conditioner needs annual maintenance to help ensure steady, top performance throughout the year. Call your local authorized dealer to schedule an annual checkup. The expense of an annual inspection is your responsibility.

TROUBLESHOOTING

You can solve many common air conditioner problems easily, saving you the cost of a service call. Try the suggestions below to see whether you can solve your problem without outside help.

Air conditioner will not operate.

- **The power supply cord is unplugged.** Plug into a grounded 3 prong outlet. See “Electrical Requirements.”
- **A household fuse has blown or circuit breaker has tripped.** Replace the fuse or reset the circuit breaker. Plug into a grounded 3 prong outlet. See “Electrical Requirements.”
- **Depending on model, the Power button has not been pressed or the Fan Speed control is turned to Off.** Press POWER button or turn the FAN SPEED control to an active setting.
- **The local power has failed.** Wait for power to be restored.

Air conditioner blows fuses or trips circuit breakers.

- **Too many appliances are being used on the same circuit.** Unplug or relocate appliances that share the same circuit.
- **Time-delay fuse or circuit breaker of the wrong capacity is being used.** Replace with a time-delay fuse or circuit breaker of the correct capacity. See “Electrical Requirements.”
- **An extension cord is being used.** Do not use an extension cord with this or any other appliance.
- **You are trying to restart the air conditioner too soon after turning the unit off.** Wait at least 3 minutes after turning the unit off before trying to restart the air conditioner.

Air conditioner seems to run too much.

- **The current air conditioner replaced an older model.** The use of more efficient components may cause the air conditioner to run longer than an older model, but the total energy consumption will be less. Newer air conditioners do not emit the “blast” of cold air you may be accustomed to from older units, but this is not an indication of lesser cooling capacity or efficiency. Refer to the efficiency rating (EER) and capacity rating (in BTUs/hr.) marked on the air conditioner.
- **The air conditioner is in a heavily occupied room, or heat-producing appliances are in use in the room.** Use exhaust vent fans while cooking or bathing and try not to use heat-producing appliances during the hottest part of the day. A higher capacity air conditioner may be required, depending on the size of the room being cooled.

Air conditioner cycles on and off too much or does not cool.

- **The MODE is set to POWER SAVER (on some models).** Use Power Saver only when you are away from home or asleep, since the fan does not circulate the room air continuously. Use LOW, HIGH or TURBO for your best comfort.
- **The air conditioner is not properly sized for your room.** Check the cooling capabilities of your room air conditioner. Room air conditioners are not designed to cool multiple rooms.
- **The filter is dirty or obstructed by debris.** Clean the filter.
- **The inside evaporator and outside condenser coils are dirty or obstructed by debris.** See “Annual Maintenance.”
- **There is excessive heat or moisture (open container cooking, showers, etc.) in the room.** Use a fan to exhaust heat or moisture from the room. Try not to use heat-producing appliances during the hottest part of the day.
- **The louvers are blocked.** Install the air conditioner in a location where the louvers are free from curtains, blinds, furniture, etc.
- **The outside temperature is below 65°F (18°C).** Do not try to operate your air conditioner in the cooling mode when the outside temperature is below 65°F (18°C).
- **The temperature of the room you are trying to cool is extremely hot.** Allow extra time for the air conditioner to cool off a very hot room.
- **Windows or doors to the outside are open.** Close all windows and doors.
- **The Exhaust control is set to OPEN (on some models).** Push the Exhaust control CLOSED for maximum cooling.
- **Depending on model, the Temp/Time or Temperature control is not at a cool enough setting.** Adjust the TEMP/TIME control to a cooler setting by pressing the minus button to reduce the temperature or adjust the TEMPERATURE control to a cooler setting by turning the knob clockwise. Set the FAN SPEED control to TURBO or TURBO COOL.

Water drips from cabinet into your house.

- **The air conditioner is not properly leveled.** The air conditioner should slope slightly downward toward the outside. Level the air conditioner to provide a downward slope toward the outside to ensure proper drainage. See the Installation Instructions.

NOTE: Do not drill a hole in the bottom of the metal base and condensate pan.

ASSISTANCE OR SERVICE

Before calling for assistance or service, please check “Troubleshooting.” It may save you the cost of a service call. If you still need help, follow the instructions below.

When calling, please know the purchase date and the complete model and serial number of your appliance. This information will help us to better respond to your request.

If you need replacement parts

If you need to order replacement parts, we recommend that you only use factory-authorized replacement parts. These replacement parts will fit right and work right because they are made with the same precision used to build every new appliance.

To locate factory-authorized replacement parts in your area, call our Customer Interaction Center telephone number or your nearest designated service center.

In the U.S.A.

Call the Customer Interaction Center toll free: **1-800-253-1301**.

Our consultants provide assistance with:

- Features and specifications on our full line of appliances.
- Installation information.
- Use and maintenance procedures.
- Accessory and repair parts sales.
- Specialized customer assistance (Spanish speaking, hearing impaired, limited vision, etc.).
- Referrals to local dealers, repair parts distributors, and service companies. Our service technicians are trained to fulfill the product warranty and provide after-warranty service, anywhere in the United States.

To locate the authorized service company in your area, you can also look in your telephone directory Yellow Pages.

For further assistance

If you need further assistance, you can write with any questions or concerns at:

Customer Interaction Center
553 Benson Road
Benton Harbor, MI 49022-2692

Please include a daytime phone number in your correspondence.

Please record your model's information.

Whenever you call to request service on your appliance, you need to know your complete model number and serial number. You can find this information on the model and serial number label. See “Electrical Requirements” for model and serial number location.

Please record the model and serial number information below. Also, record the purchase date of your appliance and the store's name, address, and telephone number.

Model Number _____

Serial Number _____

Purchase Date _____

Store Name _____

Store Address _____

Store Phone _____

Keep this book and the sales slip together for future reference.

Accessories

You can order the following accessories for your air conditioner from your local authorized dealer or by calling **1-800-253-1301** from anywhere in the U.S.A.

Replacement air filters

A good, clean air filter is important for best cooling with least energy consumption. Your air filter should be cleaned regularly. See “Cleaning the Air Filter” for cleaning instructions. We suggest you replace your air filter once a year.

Heavy-duty cover

If you decide to leave your air conditioner installed during the winter, a heavy-duty cover will help protect your air conditioner and reduce drafts. The outdoor cover protects against cold drafts through the unit's air passages and protects the cabinet from snow, rain, sleet, rust, and dust.

For a heavy-duty outdoor cover sized to fit your air conditioner, order Part Number 484069.

For a heavy-duty indoor cover sized to fit your air conditioner, order Part Number 4392941.

SEGURIDAD DEL ACONDICIONADOR DE AIRE

Su seguridad y la seguridad de los demás es muy importante.

Hemos incluido muchos mensajes importantes de seguridad en este manual y en su electrodoméstico. Lea y obedezca siempre todos los mensajes de seguridad.



Este es el símbolo de advertencia de seguridad.

Este símbolo le llama la atención sobre peligros potenciales que pueden ocasionar la muerte o una lesión a usted y a los demás.

Todos los mensajes de seguridad irán a continuación del símbolo de advertencia de seguridad y de la palabra "PELIGRO" o "ADVERTENCIA". Estas palabras significan:

! PELIGRO

Si no sigue las instrucciones de inmediato, usted puede morir o sufrir una lesión grave.

! ADVERTENCIA

Si no sigue las instrucciones, usted puede morir o sufrir una lesión grave.

Todos los mensajes de seguridad le dirán el peligro potencial, le dirán cómo reducir las posibilidades de sufrir una lesión y lo que puede suceder si no se siguen las instrucciones.

INSTRUCCIONES IMPORTANTES DE SEGURIDAD

ADVERTENCIA: Para reducir el riesgo de incendio, choque eléctrico o lesiones personales al usar su acondicionador de aire, siga estas precauciones básicas:

- Conecte a un contacto de pared de conexión a tierra de 3 terminales.
- No quite el terminal de conexión a tierra.
- No use un adaptador.
- No use un cable eléctrico de extensión.
- Desconecte el acondicionador de aire antes de darle servicio.
- Use dos o más personas para mover e instalar el acondicionador de aire.

CONSERVE ESTAS INSTRUCCIONES

REQUISITOS DE INSTALACIÓN

Herramientas y piezas

Verifique si tiene todo lo necesario para una instalación correcta. La instalación adecuada es responsabilidad suya.

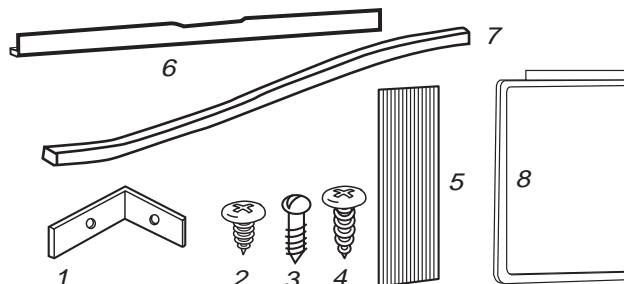
Herramientas necesarias

- Anteojos protectores
- Destornilladores Phillips y de hoja plana
- Llave de tuercas de 1/4 pulg.
- Llave de 7/16 pulg.
- Tijeras
- Cinta para medir
- Nivel
- Taladro
- Broca de 3/32 pulg. o más pequeña

Piezas suministradas

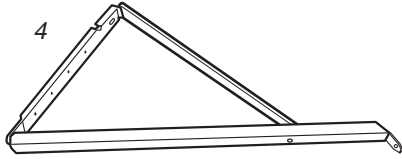
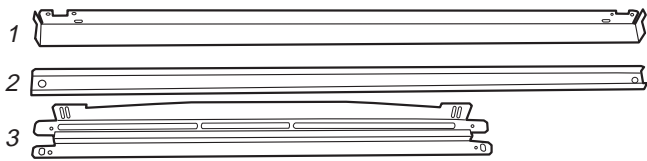
Verifique que estén todas las piezas en el paquete de piezas.

Instalación del acondicionador de aire



1. Soporte de seguridad para la ventana
2. 6 tornillos de cabeza plana #8 x 3/8 pulg.
3. 3 tornillos de cabeza redonda #8 x 3/4 pulg.
4. 3 tornillos de cabeza plana #10 x 3/8 pulg.
5. 2 cortinas laterales
6. 1 canal superior
7. 1 obturador del riel de ventana
8. 2 marcos laterales de la ventana

Instalación del ensamblaje de la bandeja SMART-MOUNT™



- | | |
|------------------------------|---|
| 1. 1 posterior de la bandeja | 5. 4 - tornillos de cabeza hexagonal #8 - 18 x ¼ pulg. |
| 2. 1 central de la bandeja | 6. 4 arandelas plana |
| 3. 2 laterales de la bandeja | 7. 4 arandelas de presión |
| 4. 2 patas de soporte | 8. 4 tuercas hexagonales |
| | 9. 4 pernos de carruaje |
| | 10. 2 - tornillos para madera de cabeza ranurada #10 - 12 x 1 ½ pulg. |

Requisitos para la ubicación

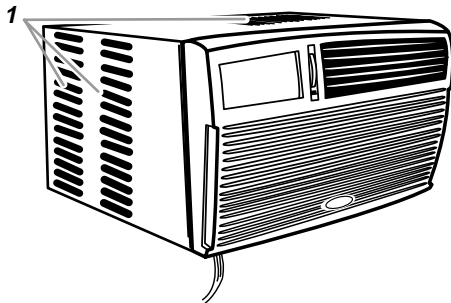
IMPORTANTE: Observe todos los códigos y reglamentos aplicables.

Verifique el lugar donde se instalará el acondicionador de aire. La instalación correcta es su responsabilidad. Asegúrese de que tiene todo lo necesario para una instalación correcta.

El lugar debe tener:

- Tomacorriente puesto a tierra a 4 pies (122 cm) de la parte donde el cable eléctrico sale del acondicionador de aire.
- **NOTA:** No use un cable eléctrico de extensión.
- Libertad de movimiento del aire a las habitaciones que desea enfriar.
- Una abertura con la amplitud suficiente para el acondicionador de aire. Se incluyen piezas de instalación para ventanas de guillotina.
- Soporte adecuado en la pared para el peso del acondicionador de aire. El acondicionador de aire pesa de 80 lbs (36,3 kg) a 125 lbs (56,7 kg).

NOTA: No deben obstruirse las rejillas del gabinete. El aire debe circular libremente a través de las rejillas del gabinete.

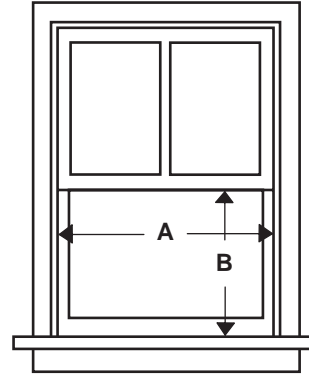


1. Rejillas del gabinete

Instalación en la ventana

Medidas de la abertura de la ventana:

- El ancho de la abertura debe ser de 27 pulg. (68,6 cm) mínimo a 40 pulg. (101,6 cm) máximo.
- La altura mínima de la abertura debe ser de 19 pulg. (48,3 cm).



A. 27 pulg. (68,6 cm) mínimo
B. 19 pulg. (48,3 cm) mínimo

Requisitos eléctricos

⚠ ADVERTENCIA



Peligro de Choque Eléctrico

Conecte a un contacto de pared de conexión a tierra de 3 terminales.

No quite el terminal de conexión a tierra.

No use un adaptador.

No use un cable eléctrico de extensión.

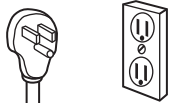
No seguir estas instrucciones puede ocasionar la muerte, incendio o choque eléctrico.

Las clasificaciones eléctricas para su acondicionador de aire están enumeradas en la etiqueta de número del modelo y de serie. La etiqueta con el número de modelo y serie está ubicada en el lado derecho del gabinete.

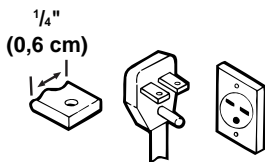
Los requisitos eléctricos específicos se indican en la tabla debajo. Siga los requisitos para el tipo de enchufe en el cordón de alimentación eléctrica.

Tomacorriente para la clavija del cordón eléctrico

Requisitos de cableado



- 115 voltios (103,5 mín. - 126,5 máx.)
- 0-12 amperios
- Fusible de retardo de 15 amperios o disyuntor
- Úselo solamente en un circuito con tomacorriente único.



- 230 voltios (207 mín. - 253 máx.)
- 0-12 amperes
- Fusible de retardo de 15 amperes o disyuntor
- Úselo solamente en un circuito con tomacorriente único.

Método recomendado para la puesta a tierra

Para su seguridad personal, este acondicionador de aire debe ser puesto a tierra. Este acondicionador de aire está equipado con un cable de suministro de energía provisto de un enchufe con tres terminales. Para reducir a un mínimo el peligro de posibles choques eléctricos, el cable debe ser enchufado en un contacto apropiado de pared de tres terminales conectado a tierra de acuerdo con todos los códigos y reglamentos locales. Si no se dispone de un tomacorriente apropiado, es responsabilidad del cliente hacer instalar un contacto con tres terminales debidamente puesto a tierra por un instalador eléctrico calificado.

Es responsabilidad del cliente:

- Llamar a un instalador eléctrico calificado.
- Asegurarse de que la instalación eléctrica sea adecuada y esté hecha de acuerdo con el Código Nacional Eléctrico, ANSI/NFPA 70, última edición, y todos los códigos y reglamentos locales.

Pueden obtenerse copias de las normas señaladas en:

National Fire Protection Association
One Batterymarch Park
Quincy, Massachusetts 02269

INSTRUCCIONES DE INSTALACIÓN

Desempaque el acondicionador de aire

⚠ ADVERTENCIA

Peligro de Peso Excesivo

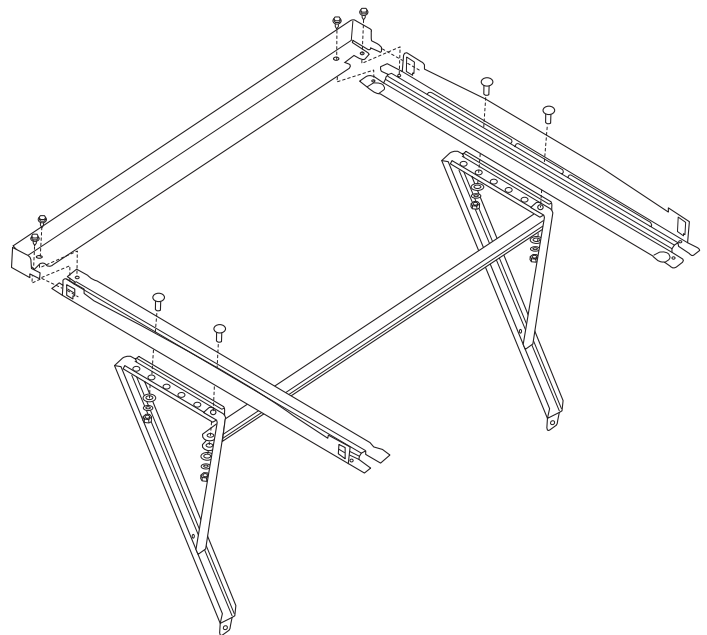
Use dos o más personas para mover e instalar el acondicionador de aire.

No seguir esta instrucción puede ocasionar una lesión en la espalda u otro tipo de lesiones.

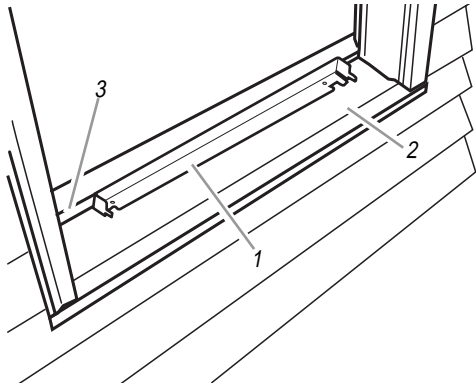
Quite los materiales de empaque

- Quite y deshágase debidamente de todos los materiales de embalaje. Quite las cintas y los residuos de goma del acondicionador de aire antes de encenderlo. Frote un poco de detergente líquido para vajillas sobre el adhesivo con los dedos. Limpie con agua tibia y seque.
- No use instrumentos filosos, alcohol para fricciones, líquidos inflamables o productos de limpieza abrasivos para eliminar los restos de cinta o goma. Estos productos pueden dañar la superficie de su acondicionador de aire.

Instalación de la bandeja SMART-MOUNT™

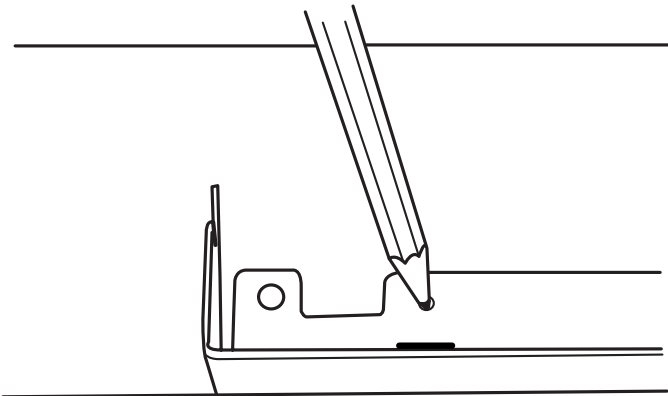


1. Usando la barra posterior de la bandeja como plantilla, céntrala en la parte inferior de la ventana contra la parte posterior del marco de la ventana.

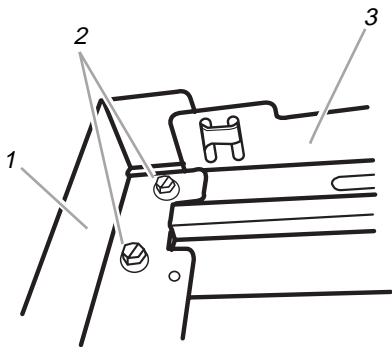


1. Barra posterior de la bandeja
2. Marco de la ventana
3. Parte posterior del marco de la ventana

2. Usando los dos orificios interiores para tornillo en la barra posterior de la bandeja, marque las ubicaciones de los tornillos en el marco de la ventana para montar el ensamblado de la bandeja SMART-MOUNT™.



3. Quite la barra posterior de la bandeja. Con la broca de barrena de $\frac{3}{32}$ pulg., perforo orificios pilotos de $1\frac{1}{2}$ pulg. de profundidad usando las marcas del paso anterior.
4. Para ensamblar el marco de la bandeja, inserte la lengüeta de la barra posterior de la bandeja dentro de la ranura lateral de la bandeja. Verifique que la lengüeta esté insertada y que las 2 piezas estén alineadas. Coloque 2 tornillos de cabeza hexagonal #8 - $18 \times \frac{1}{4}$ pulg. para asegurarla.
5. Repita el procedimiento para la otra barra lateral de la bandeja.

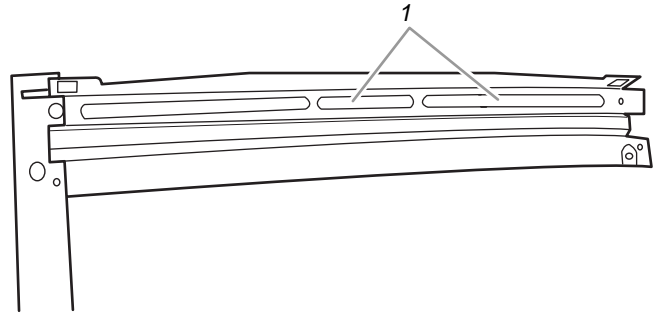


1. Barra posterior de la bandeja
2. Tornillos de cabeza hexagonal #8 - $18 \times \frac{1}{4}$ pulg.
3. Barra lateral de la bandeja

Fije las patas de soporte

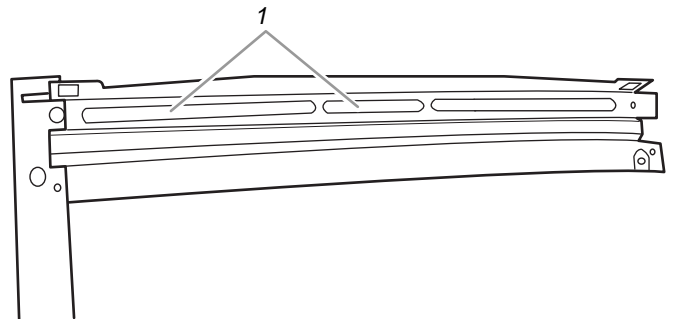
1. Determine las ranuras correctas de la barra lateral de la bandeja basándose en el tipo de construcción exterior del edificio.

Construcción delgada de la pared (vinilo, madera, etc.)



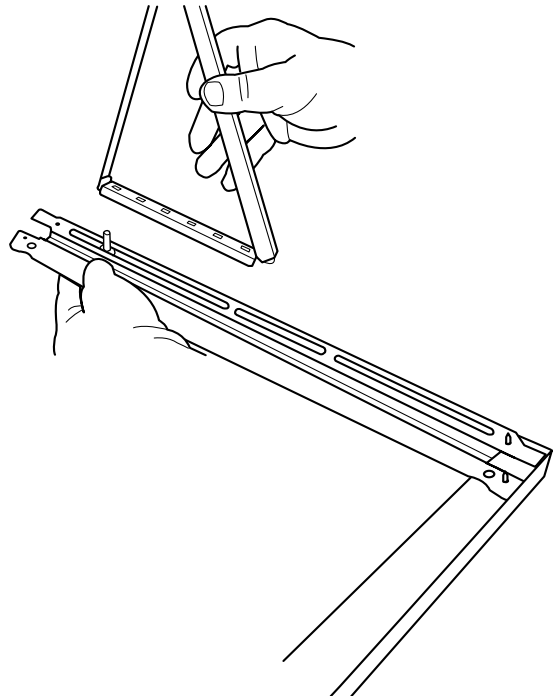
1. Primera y segunda ranura

Construcción gruesa de la pared (ladrillos)

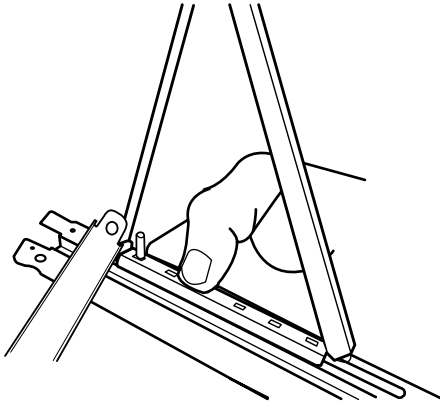


1. Segunda y tercera ranura

2. Empuje el perno de carruaje hacia arriba en la ranura del lado del marco de la bandeja y las patas de soporte.

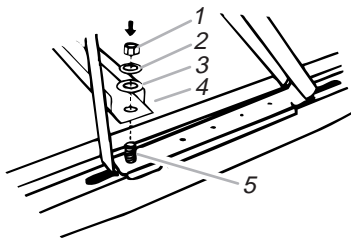


- Coloque un extremo de la barra central de la bandeja sobre el perno de carruaje.



- Luego coloque la arandela plana, la arandela de presión y la tuerca hexagonal.

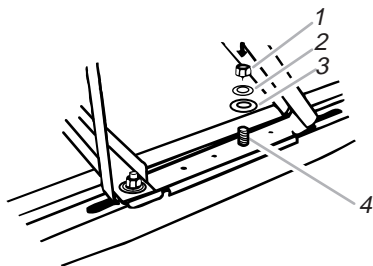
NOTA: No las apriete. La pata se debe mover libremente para poder ajustar el ángulo después de que esté instalada.



- | | |
|----------------------|--------------------------------|
| 1. Tuerca hexagonal | 4. Barra central de la bandeja |
| 2. Arandela presión | 5. Perno de carruaje |
| 3. Arandela de plana | |

- Inserte el segundo perno de carruaje en la barra lateral del marco de la bandeja y ajuste el otro extremo de la pata de soporte.

NOTA: No las apriete. La pata se debe mover libremente para poder ajustar el ángulo después de que esté instalada.



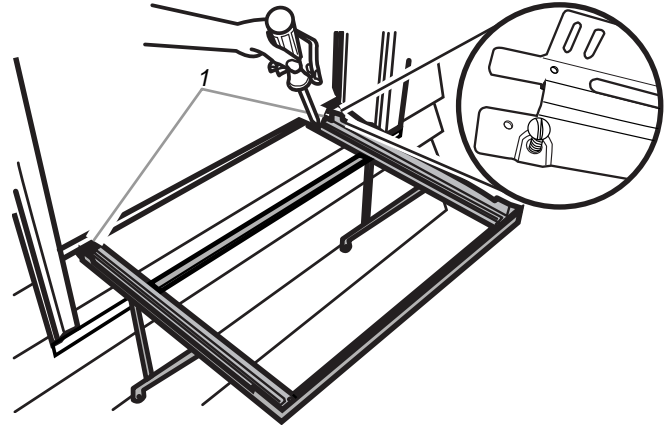
- | | |
|---------------------|----------------------|
| 1. Tuerca hexagonal | 3. Arandela de plana |
| 2. Arandela presión | 4. Perno de carruaje |

- Instale la pata de soporte en el otro lado.

Instálela en la ventana

- Desde adentro, coloque la bandeja SMART-MOUNT™ en la ventana con las patas de soporte mirando hacia abajo. Haga coincidir los orificios de las barras laterales de la bandeja con los orificios pilotos en el marco de la ventana.

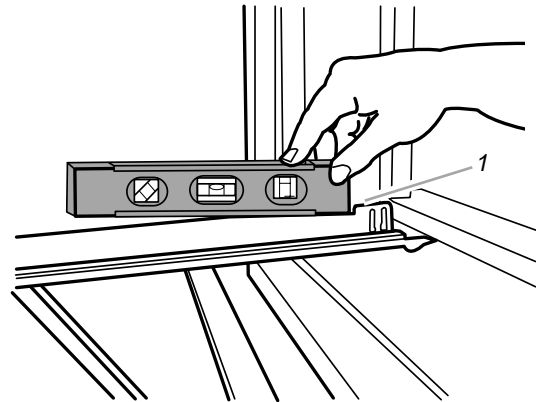
- Usando 2 tornillos para madera de cabeza ranurada #10 - 12 x 1 1/2 pulg., ajuste el ensamblado del marco de la bandeja a la ventana.



1. Tornillos para madera de cabeza ranurada #10 - 12 x 1 1/2 pulg.

NOTA: Si el exterior del edificio se puede dañar con las patas de soporte, coloque una tabla entre la pared y las patas de soporte.

- Con el centro de la bandeja lejos del marco de la ventana, coloque un nivel en el extremo con ángulo del lado de la bandeja. Asegúrese de que el nivel esté contra la ranura del lado de la bandeja. Ajuste la bandeja SMART-MOUNT™ hasta que la burbuja indique que está nivelada.



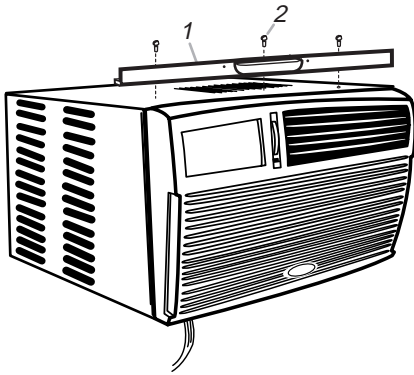
1. Coloque el nivel en el extremo con ángulo contra la ranura en el lado de la bandeja

- Ajuste la tuerca hexagonal solamente lo suficiente para mantener la barra central de la bandeja en su lugar.
- Repita el procedimiento con el otro lado.
- Ajuste con seguridad las tuercas hexagonales con una llave para tuercas de 7/16 pulg.

Prepare el acondicionador de aire para la instalación

- Ubique las bolsa provista con tornillos de cabeza de cono achatado.
- Coloque el canal superior en la parte superior del acondicionador de aire, alineando los orificios en el canal superior con los orificios en la parte superior del acondicionador de aire.

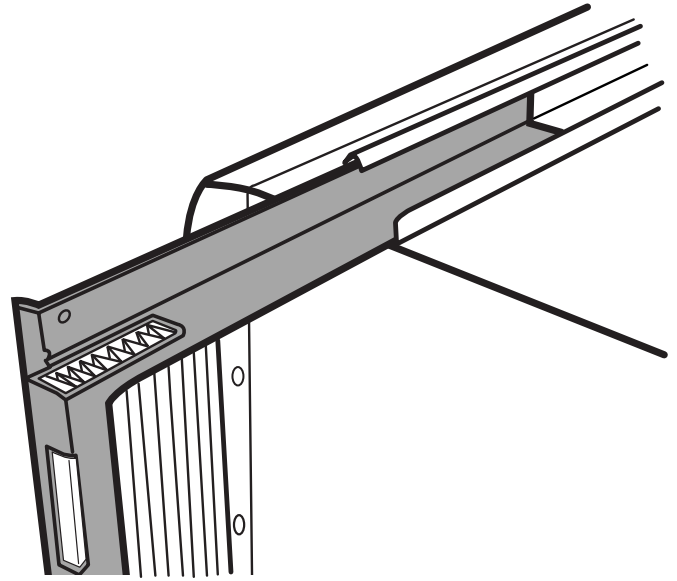
- Utilice 3 tornillos de cabeza de cono achatado #10 x 3/8 pulg. para fijar el canal superior al acondicionador de aire.



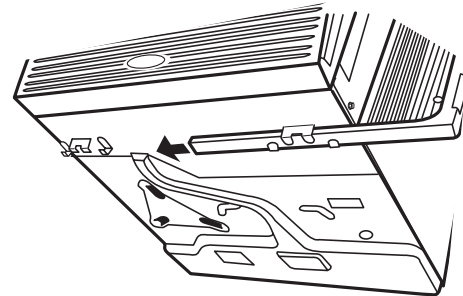
1. Canal superior
2. Tornillo de cabeza de cono achatado #10 x 3/8 pulg.

- Inserte la parte superior y luego la parte inferior del alojamiento de la cortina derecha en las guías superior e inferior para cortinas del acondicionador de aire.

Vista superior

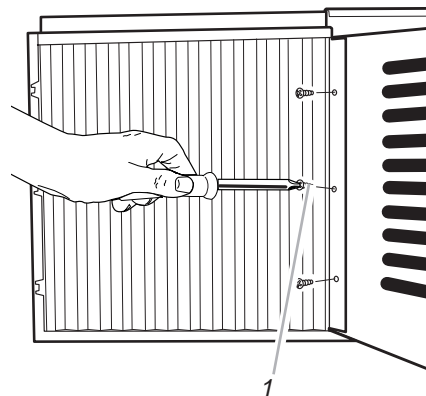


Vista inferior



- Extienda la cortina derecha hacia fuera de manera que pueda insertar el primer tornillo a través del orificio del medio de la cortina. Usando un tornillo de cabeza de cono achatado #8 x 3/8 pulg., atornille la cortina al orificio del medio en el gabinete del acondicionador de aire.

NOTA: Se requiere este tornillo para ajustar correctamente la cortina (de arriba hacia abajo) al gabinete del acondicionador de aire.

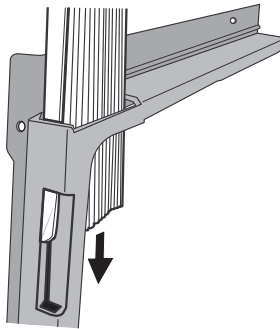
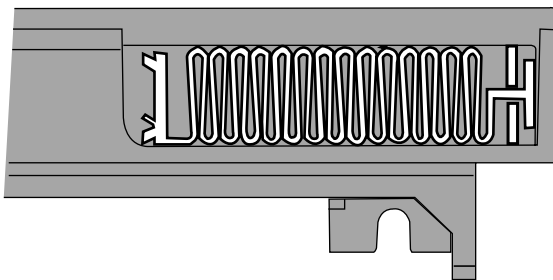


1. Tornillos de cabeza plana #8 x 3/8 pulg.

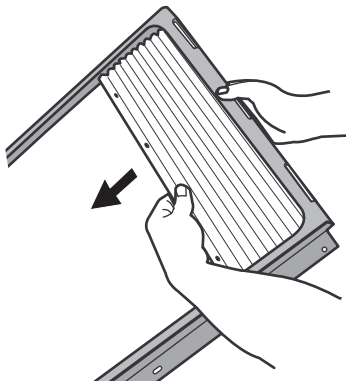
Instalación de las cortinas laterales

NOTA: Sujete las cortinas a la unidad antes de colocar la unidad en la ventana.

- Inserte la cortina en el marco de la cortina. Asegúrese de que el extremo de la cortina encaje de manera segura en el marco de la cortina.



- Empuje la cortina hacia adentro por completo.
- Jale la cortina hacia el extremo abierto del marco de la cortina.



6. Con la cortina derecha todavía extendida, inserte los tornillos en las ranuras superior e inferior de la cortina. Usando tornillos de cabeza de cono achatado #8 x 3/8 pulg. atornille la cortina a los orificios superior e inferior en el gabinete del acondicionador de aire.
7. Deslice el alojamiento de la cortina en las guías lo más lejos posible.
8. Repita los pasos anteriores para la cortina izquierda.

Colocación del acondicionador de aire

- Trate el acondicionador de aire con cuidado.
- Asegúrese de que el acondicionador de aire no se caiga de la abertura durante la instalación o al quitarlo.
- La parte de donde sale el cordón eléctrico del acondicionador de aire debe colocarse a no más de 4 pies (122 cm) de un tomacorriente puesto a tierra.
- No bloquee las rejillas que están en el panel delantero.
- No bloquee las rejillas que están en el exterior del acondicionador de aire.

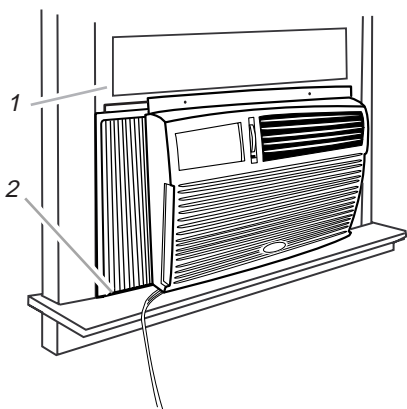
⚠ ADVERTENCIA

Peligro de Peso Excesivo

Use dos o más personas para mover e instalar el acondicionador de aire.

No seguir esta instrucción puede ocasionar una lesión en la espalda u otro tipo de lesiones.

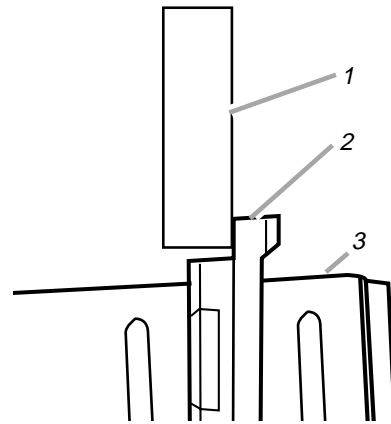
1. Coloque el acondicionador de aire en la bandeja SMART-MOUNT™. Verifique que las patas de la parte inferior del acondicionador de aire estén detrás y contra la parte trasera del obturador de la ventana. Baje el marco de la ventana.



1. Marco de la ventana
2. Pies sobre la base del acondicionador de aire detrás del lado posterior del marco de la ventana

2. Si el marco de la ventana no cierra a escuadra contra la superficie posterior de la ranura superior, saque el acondicionador de aire y ajuste la bandeja SMART-MOUNT™ hasta que el marco de la ventana cierre a escuadra contra la parte posterior superficie de la ranura superior.

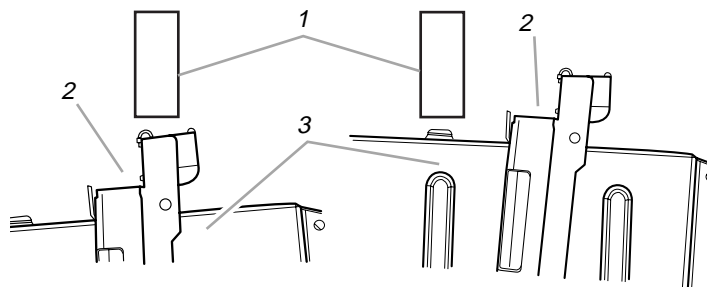
Instalación correcta



1. Marco de la ventana
2. Ranura superior
3. Acondicionador de aire

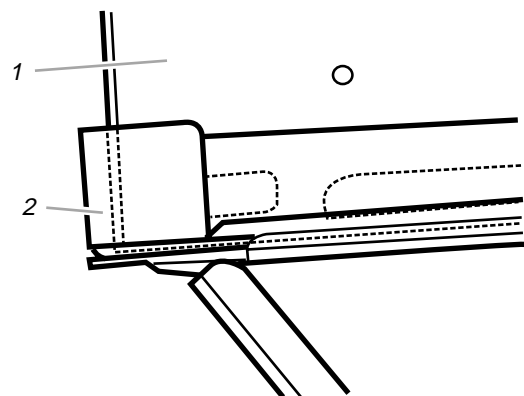
Si el acondicionador de aire se ve como cualquiera de las ilustraciones de "Instalación incorrecta", la bandeja SMART-MOUNT™ necesita un ajuste.

Instalación incorrecta



1. Marco de la ventana
2. Ranura superior
3. Acondicionador de aire

3. Si la base del acondicionador de aire no encaja contra la parte inferior de la bandeja SMART-MOUNT™, saque el acondicionador de aire y ajuste el ángulo de la bandeja hasta que el acondicionador de aire encaje contra la parte inferior de la bandeja.

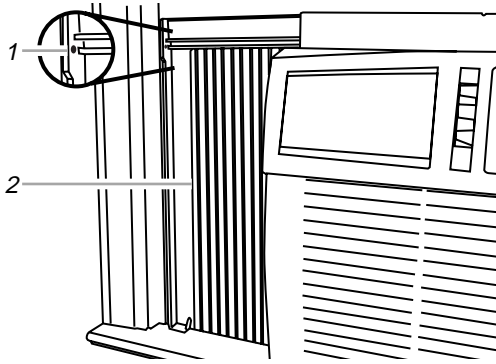


1. Acondicionador de aire encajado en la bandeja SMART-MOUNT™
2. Bandeja SMART-MOUNT™

Fije las cortinas laterales a la ventana

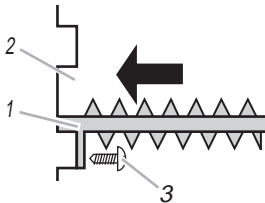
1. Jale de la cortina izquierda hacia afuera hasta que encaje en la ranura de la ventana. Repita el procedimiento para la cortina derecha.
2. Inserte uno de los tornillos de cabeza redonda #8 x 3/4 pulg., a través del marco de la cortina izquierda en la ranura de la ventana para asegurar el marco de la cortina a la ventana.
3. Repita el procedimiento para la cortina derecha.

Vista frontal



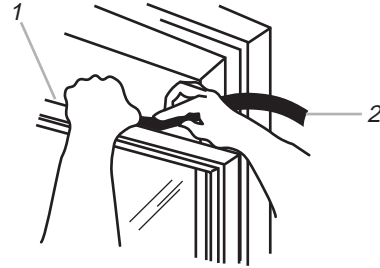
1. Orificio para el tornillo de cabeza redonda #8 x 3/4 pulg.
2. Cortina lateral

Vista superior



1. Cortina lateral contra la ranura de la ventana
2. Ranura de la ventana
3. Tornillo de cabeza redonda #8 x 3/4 pulg.

4. Inserte el obturador de espuma de la ventana detrás de la parte superior del marco de la ventana inferior y contra el cristal de la ventana superior.



1. Marco de la ventana inferior
2. Obturador de espuma

⚠ ADVERTENCIA



Peligro de Choque Eléctrico

Conecte a un contacto de pared de conexión a tierra de 3 terminales.

No quite el terminal de conexión a tierra.

No use un adaptador.

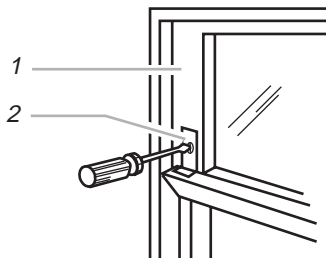
No use un cable eléctrico de extensión.

No seguir estas instrucciones puede ocasionar la muerte, incendio o choque eléctrico.

5. Conecte a un contacto de pared de conexión a tierra de 3 terminales.

Complete la instalación

1. Coloque el soporte de seguridad de la ventana en la parte superior de la ventana inferior y contra el marco de la ventana superior.
2. Utilice una broca de barrena de 3/32 pulg. para perforar un orificio para comenzar a través del orificio en el soporte.
3. Fije el soporte de seguridad de la ventana al marco de la ventana con un tornillo de cabeza redonda #8 x 3/4 pulg. para asegurar la ventana en su lugar.



1. Marco de la ventana superior
2. Soporte de seguridad de ventana

CÓMO USAR SU ACONDICIONADOR DE AIRE

Operar debidamente su acondicionador de aire le permite obtener los mejores resultados posibles.

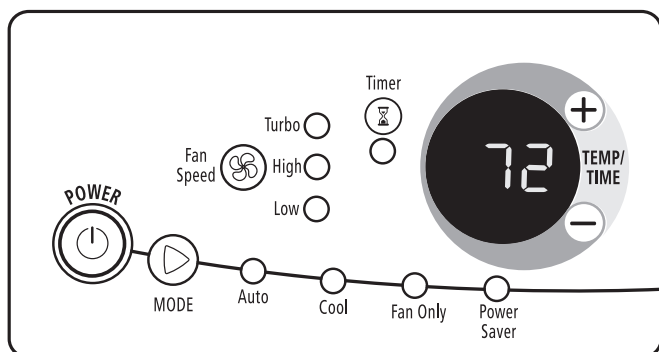
Esta sección le explica cómo operar su acondicionador de aire debidamente.

IMPORTANTE:

- Si usted apaga el acondicionador de aire, espere por lo menos 3 minutos antes de volver a ponerlo en marcha. Esto evitará que se queme un fusible o se dispare un disyuntor de circuito a causa del acondicionador de aire.
- No trate de operar su acondicionador de aire en el modo de enfriamiento cuando la temperatura exterior sea menor de 65°F (18°C). El serpentín interior del evaporador se congelará y el acondicionador de aire no funcionará debidamente.

NOTA: En caso de un corte de corriente, cuando vuelva el suministro de energía su acondicionador de aire funcionará en los ajustes previos al corte de corriente.

Cómo poner en marcha su acondicionador de aire - Control digital



1. Quite la película protectora transparente del panel de control y de la placa del panel delantero.
2. Oprima POWER (Energía) para encender el acondicionador de aire.



NOTA: Cuando se enciende el acondicionador de aire por primera vez después de haberlo enchufado, mostrará en la pantalla los ajustes programados: Modo Cool (Enfriamiento), velocidad de ventilación Turbo, 72°F (22°C). Cuando se encienda todas las otras veces, mostrará los ajustes previos en la pantalla.

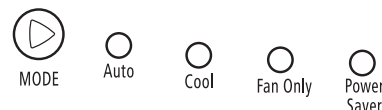
3. Seleccione el modo. Vea “Mode (Modo)”.
4. Seleccione la velocidad de ventilación. Vea “Fan Speed (Velocidad de ventilación)”.
5. Seleccione la temperatura. Vea “Temperatura”.

Mode (Modo)

1. Oprima MODE (Modo) hasta que se encienda la luz del indicador para la posición que usted desea.
2. Seleccione AUTO (Automático), COOL (Enfriamiento), FAN ONLY (Sólo ventilación) o POWER SAVER (Ahorro de energía).
 - Auto (Automático) - Enfría la sala mientras automáticamente controla la velocidad de ventilación. Usted no puede cambiar la velocidad de ventilación, pero puede ajustar la temperatura oprimiendo el botón de más o menos.
 - Cool (Enfriamiento) - Enfría la sala. Usted puede seleccionar la velocidad de ventilación oprimiendo FAN SPEED (Velocidad del ventilación). Luego podrá ajustar la temperatura oprimiendo el botón de más o menos.
 - Fan Only (Sólo ventilación) - Sólo funciona el ventilador. La pantalla muestra “FO” (Sólo ventilación).

NOTA: El ventilador funciona en velocidad Turbo solamente.
 - Power Saver (Ahorro de energía) - El ventilador funciona únicamente cuando se necesita enfriamiento. El ventilador deja de hacer circular el aire cuando la temperatura de la habitación es igual a la posición del control de temperatura.

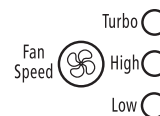
Ya que el ventilador no hace circular continuamente el aire de la habitación, se consume menos energía, pero el aire de la habitación circula con menos frecuencia. Utilice el modo de Power Saver cuando esté fuera del hogar o durmiendo.



Fan Speed (Velocidad de ventilación)

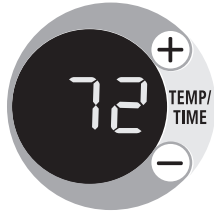
NOTA: El botón de velocidad de ventilación funcionará únicamente cuando se ha seleccionado el modo de Cool (Enfriamiento) o Power Saver (Ahorro de energía).

1. Oprima FAN SPEED hasta que se encienda la luz del indicador para la posición que usted desea.
2. Seleccione TURBO, HIGH (Alta) o LOW (Baja).



Temperatura

- Presione el botón de más para aumentar la temperatura. Cada vez que usted presione o sostenga el botón de más, la temperatura aumentará de a 1° hasta llegar a 86°F (30°C).



- Presione el botón de menos para disminuir la temperatura. Cada vez que presione o sostenga el botón de menos, la temperatura disminuirá de a 1° hasta llegar a 64°F (18°C).

Para cambiar la pantalla de la temperatura de °C a °F:

1. Apague el acondicionador de aire.
2. Mientras el acondicionador de aire está apagado, presione y sostenga los botones de MODE (Modo) y FAN SPEED (Velocidad de ventilación) a la vez que presiona POWER. El acondicionador de aire se encenderá.

NOTA: Siga estos mismos pasos para cambiar la pantalla de la temperatura de °C a °F.

Retardo del temporizador

Para programar el temporizador para un retardo de 1 a 24 horas hasta que el acondicionador de aire se apague (el acondicionador de aire tiene que estar Encendido):

1. Oprima TIMER (Temporizador). La luz del indicador se encenderá intermitentemente.



2. Oprima el botón de más o de menos para cambiar el tiempo de retardo (de 1 a 24 horas).
3. Oprima TIMER nuevamente o espere 10 segundos. La luz del indicador permanecerá encendida.

Para programar el temporizador de manera que el acondicionador de aire se encienda manteniendo los ajustes previos:

1. Apague el acondicionador de aire.
2. Oprima TIMER. La luz del indicador se encenderá intermitentemente.
3. Oprima el botón de más o menos para cambiar el tiempo de retardo (de 1 a 24 horas).
4. Oprima TIMER nuevamente o espere 10 segundos. La luz del indicador permanecerá encendida.

Para programar el temporizador de manera que el acondicionador de aire se encienda cambiando los ajustes previos:

1. Encienda el acondicionador de aire.
2. Ajuste el MODE a Auto, Cool, Fan Only o Power Saver.
3. Ajuste el FAN SPEED (Velocidad de ventilación) a Turbo, High o Low.

4. Ajuste la temperatura entre 64°F (18°C) y 86°F (30°C).
5. Espere 3 segundos antes de apagar el acondicionador de aire.
6. Oprima TIMER. La luz del indicador se encenderá intermitentemente.
7. Oprima el botón de más o menos para cambiar el tiempo de retardo de 1 a 24 horas.
8. Oprima TIMER nuevamente o espere 10 segundos. La luz del indicador permanecerá encendida.

Para borrar la programación del tiempo de retardo del temporizador:

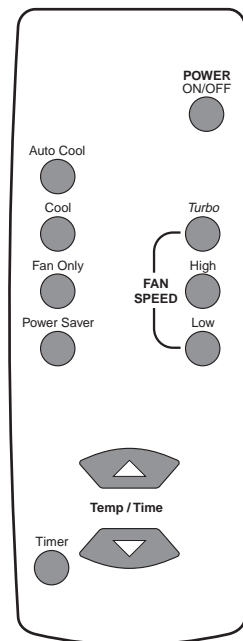
NOTA: El acondicionador de aire puede estar encendido o apagado.

Presione y sostenga TIMER por 3 segundos. La luz del indicador se apagará.

Para ver el tiempo restante (en horas):

1. Oprima TIMER una vez después de que haya sido programado.
2. Mientras la pantalla muestra el tiempo restante, usted puede oprimir el botón de más o menos para aumentar o disminuir el tiempo.

Para poner en marcha el acondicionador de aire con el control remoto



NOTA: El control remoto se alimenta con dos pilas AA (no incluidas). Cambie las pilas después de 6 meses de uso o cuando el control remoto comienza a perder fuerza.

Para encender o apagar el acondicionador de aire:

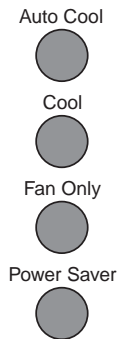
Presione POWER ON/OFF (Encendido/apagado).



Para seleccionar el modo:

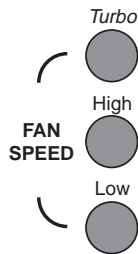
Oprima AUTO COOL (Enfriamiento automático), COOL (Enfriamiento), FAN ONLY (Sólo ventilación) o POWER SAVER (Ahorro de energía).

- Auto Cool (Enfriamiento automático) - la velocidad de ventilación se ajusta automáticamente.
- Fan Only (Sólo ventilación) - la velocidad de ventilación se ajusta automáticamente en Turbo.
- Cool (Enfriamiento) o Power Saver (Ahorro de energía) - usted puede ajustar la velocidad de ventilación.



Para seleccionar la velocidad de ventilación (solamente en el modo de Cool o Power Saver):

Oprima TURBO, HIGH (Alta) or LOW (Baja).



Para subir la temperatura:

Presione el botón con la flecha hacia arriba. Cada vez que usted oprime o sostiene el botón con la flecha hacia arriba, la temperatura aumentará de a 1° hasta alcanzar los 86°F (30°C).



Para bajar la temperatura:

Presione el botón con la flecha hacia abajo. Cada vez que usted oprime o sostiene el botón con la flecha hacia abajo, la temperatura baja de a 1° hasta alcanzar los 64°F (18°C).



Para programar el temporizador para un retardo de 1 a 24 horas hasta que el acondicionador de aire se apague (el acondicionador de aire tiene que estar Encendido):

1. Oprima TIMER. La luz del indicador en el acondicionador de aire se encenderá intermitentemente.



2. Oprima el botón con la flecha hacia arriba o abajo para cambiar el tiempo de retardo (de 1 a 24 horas).
3. Oprima TIMER nuevamente o espere 10 segundos. La luz del indicador en el acondicionador de aire permanecerá encendida.

Para programar el temporizador de manera que el acondicionador de aire se encienda manteniendo los ajustes previos:

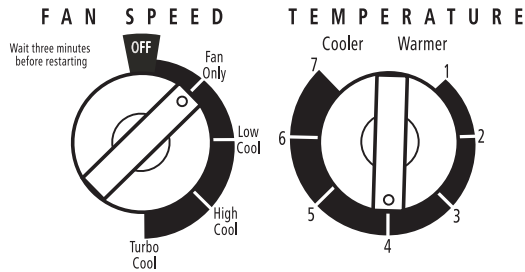
1. Apague el acondicionador de aire.
2. Oprima TIMER. La luz del indicador en el acondicionador de aire se encenderá intermitentemente.
3. Presione el botón con la flecha hacia arriba o abajo para cambiar el tiempo de retardo (de 1 a 24 horas).
4. Oprima TIMER nuevamente o espere 10 segundos. La luz del indicador en el acondicionador de aire permanecerá encendida.

Para programar el temporizador de manera que el acondicionador de aire se encienda cambiando los ajustes previos:

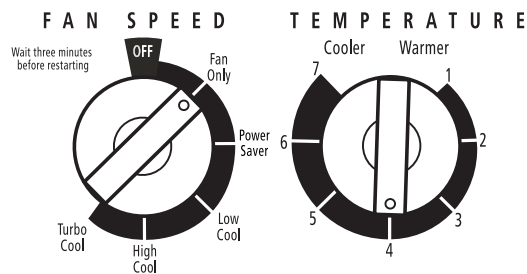
1. Encienda el acondicionador de aire.
2. Ajuste el MODE a Auto, Cool, Fan Only o Power Saver.
3. Ajuste el FAN SPEED (Velocidad de ventilación) a Turbo, High or Low.
4. Ajuste la temperatura entre 64°F (18°C) y 86°F (30°C).
5. Espere 3 segundos antes de apagar el acondicionador de aire.
6. Oprima TIMER. La luz del indicador en el acondicionador de aire se encenderá intermitentemente.
7. Oprima el botón con la flecha hacia arriba o abajo para cambiar el tiempo de retardo (de 1 a 24 horas).
8. Oprima TIMER nuevamente o espere 10 segundos. La luz del indicador en el acondicionador de aire permanecerá encendida.

Cómo poner en marcha su acondicionador de aire - Control rotativo

Modelos sin ahorro de energía



Modelos con ahorro de energía

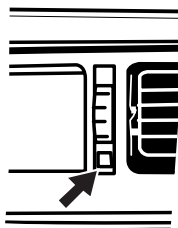


1. Quite la película protectora transparente de la placa del panel delantero (en algunos modelos).
2. Coloque el control de respiradero. Vea "Control de respiradero (en algunos modelos)".
3. Seleccione velocidad de ventilación. Vea "Fan Speed (Velocidad de ventilación)".
4. Seleccione la temperatura. Vea "Temperatura".

Control de respiradero (en algunos modelos)

Coloque el control de respiradero en la posición CERRADA para un enfriamiento máximo continuo. Jale el control de respiradero hacia la posición ABIERTO para hacer escapar el aire viciado/humoso de la sala.

- Abierto - Jale para hacer salir el aire de la sala al exterior
- Cerrado - Empuje para que circule el aire en la sala



El control de respiradero funciona únicamente cuando el control de velocidad de ventilación está funcionando.

Fan Speed (Velocidad de ventilación)

Ponga el control de FAN SPEED (Velocidad de ventilación) en la posición que desee. Cuando el acondicionador de aire está funcionando a temperaturas Low Cool (Poco fría), High Cool (Muy fría) o Turbo Cool (Máximo nivel de frío), el ventilador hace circular el aire continuamente.

- Turbo Cool - para enfriamiento máximo

- High Cool - para enfriamiento normal
- Low Cool - para dormir cómodo
- Fan Only (Sólo ventilación) - para que el aire circule continuamente sin enfriarse

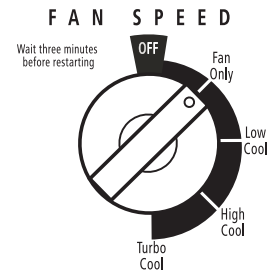
NOTA: El ventilador funciona en velocidad Turbo solamente.

- Power Saver (Ahorro de energía) (en algunos modelos) - El ventilador funciona solamente cuando sea necesario enfriar. El ventilador deja de hacer circular el aire cuando la temperatura de la habitación es igual a la posición del control de temperatura.

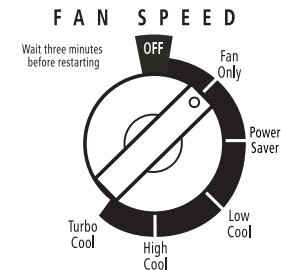
Ya que el ventilador no hace circular continuamente el aire de la habitación, se consume menos energía, pero el aire de la habitación circula con menos frecuencia. Utilice el modo de Power Saver cuando esté fuera del hogar o durmiendo.

NOTA: El ventilador funciona en velocidad Low (Baja) solamente.

Modelos sin ahorro de energía

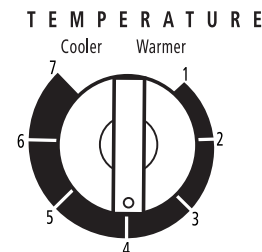


Modelos con ahorro de energía



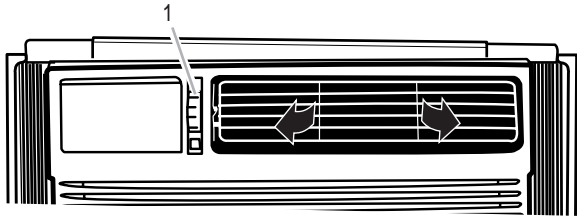
Temperatura

Gire el control de TEMPERATURE (Temperatura) a un ajuste medio. Ajuste el funcionamiento del acondicionador de aire girando el control de temperatura hacia la derecha para un enfriamiento máximo. Para un menor enfriamiento, gire el control de TEMPERATURE hacia la izquierda. Experimente y busque el ajuste que más le convenga.

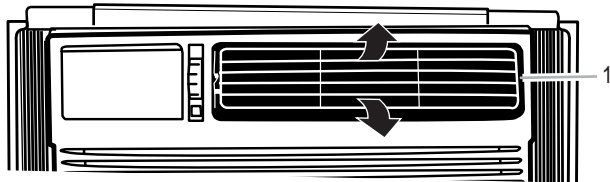


Cómo cambiar la dirección del aire

Gire la rueda para dirigir el aire hacia la derecha o hacia la izquierda. Gire el cartucho completamente para dirigir el aire hacia arriba, hacia abajo o directamente hacia adelante.



1. Rueda



1. Cartucho

Sonidos normales

Cuando el acondicionador de aire está funcionando normalmente, usted podrá escuchar sonidos como:

- Gotas de agua que caen sobre el condensador, produciendo “tintineos” o “chasquidos”. Las gotas de agua ayudan a enfriar el condensador.
- El movimiento del aire que sale del ventilador.
- Chasquidos del ciclo del termostato.
- Vibraciones o ruidos debidos a deficiencias en la construcción de la pared o ventana.
- Un zumbido agudo o un ruido pulsante producido por la alternación de los ciclos del moderno compresor de alta eficiencia.

CÓMO CUIDAR SU ACONDICIONADOR DE AIRE

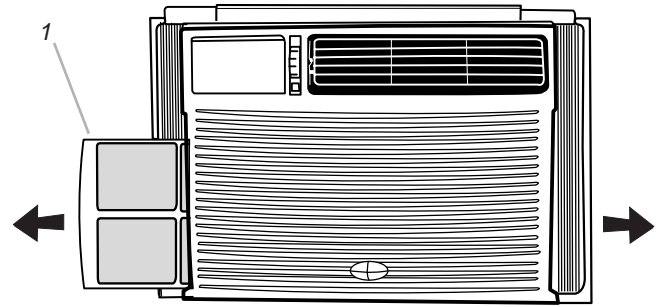
Su nuevo acondicionador de aire está diseñado para darle muchos años de servicio confiable. Esta sección le da la información acerca de la limpieza adecuada y el cuidado de su acondicionador de aire. Llame al vendedor autorizado de su localidad para un chequeo anual. Acuérdesse...el precio de esta llamada de servicio es su responsabilidad.

Limpieza del filtro de aire

El filtro de aire puede quitarse para una limpieza fácil. Un filtro limpio ayuda a quitar el polvo, las pelusas y otras partículas del aire, y es importante para que el aparato enfrie más eficientemente. Revise el filtro cada dos semanas para ver si necesita limpieza.

NOTA: No haga funcionar el acondicionador de aire si el filtro no está colocado en su lugar.

1. Apague el acondicionador de aire.
2. Deslice el filtro de aire hacia afuera desde cualquiera de los lados de la unidad.



1. El filtro puede quitarse de cualquiera de los lados.

3. Limpie el filtro de aire usando una aspiradora. Si está muy sucio, lave el filtro de aire con agua tibia y un detergente suave. No lave el filtro de aire en la lavavajillas ni use limpiadores químicos. Seque bien el filtro al aire antes de colocarlo nuevamente para asegurarse la máxima eficiencia.
4. Vuelva a colocar el filtro de aire deslizándolo nuevamente en cualquiera de los lados de la unidad.

Limpieza del panel delantero

1. Desenchufe el acondicionador de aire o desconecte el suministro de energía.
2. Quite el filtro de aire y límpielo por separado. Vea “Limpieza del filtro de aire”.
3. Limpie el panel delantero con un paño suave y húmedo.
4. Seque el panel delantero al aire completamente.
5. Enchufe el acondicionador de aire o reconecte el suministro de energía.

Reparación de la pintura dañada

Revise una o dos veces al año si hay daños en la pintura. Esto es muy importante, especialmente en lugares que están cerca de los océanos o donde la herrumbre es un problema. Si es necesario, retoque con un esmalte de buena calidad.

NOTA: Para reducir el daño a la pintura durante el invierno, instale una cubierta resistente sobre el gabinete del acondicionador de aire. Para información sobre cómo pedir una cubierta resistente, vea la sección de “Accesorios”.

Mantenimiento anual

Su acondicionador de aire necesita mantenimiento anual para ayudar a asegurar un rendimiento constante de la mejor calidad durante todo el año. Llame al vendedor autorizado de su localidad para hacer una cita para el chequeo anual. El precio del chequeo anual es su responsabilidad.

SOLUCIÓN DE PROBLEMAS

Usted puede resolver fácilmente muchos problemas frecuentes del acondicionador de aire ahorrándose el costo de una llamada de servicio. Pruebe las sugerencias que se incluyen a continuación para ver si puede resolver el problema sin ayuda.

Su acondicionador de aire no funcionará.

- **El cable de alimentación eléctrica está desconectado.** Conecte a un contacto de pared de conexión a tierra de 3 terminales. Vea “Requisitos eléctricos”.
- **Se ha fundido un fusible de la casa o disparado un disyuntor.** Reemplace el fusible o reposicione el disyuntor. Conecte a un contacto de pared de conexión a tierra de 3 terminales. Vea “Requisitos eléctricos”.
- **Dependiendo del modelo, no se ha presionado el botón de Power (Encender) o el control de Fan Speed (Velocidad de ventilación) se ha fijado en la posición de apagado.** Presione el botón de POWER o gire el control de FAN SPEED hacia un ajuste activo.
- **Se ha interrumpido la energía eléctrica en su localidad.** Espere que se restablezca la energía eléctrica.

El acondicionador de aire funde los fusibles o dispara los disyuntores.

- **Se están usando muchos aparatos en el mismo circuito.** Desconecte o ponga en otro lugar los aparatos que estén usando el mismo circuito.
- **Se está usando un fusible de retardo o un disyuntor con la capacidad incorrecta.** Reemplácelo con un fusible de retardo o un disyuntor con la capacidad correcta. Vea “Requisitos eléctricos”.
- **Se está usando un cable eléctrico de extensión.** No use un cable eléctrico de extensión con este ni cualquier otro aparato.
- **Usted está tratando de volver a poner en marcha el acondicionador de aire muy poco tiempo después de apagar el acondicionador de aire.** Espere por lo menos 3 minutos antes de poner en marcha el acondicionador de aire después de apagar el acondicionador de aire.

Parece que el acondicionador de aire funciona excesivamente.

- **Su actual acondicionador de aire reemplazó un modelo viejo.** El uso de componentes más eficientes puede hacer que el acondicionador de aire funcione por más tiempo que su antiguo modelo, pero el consumo total de energía será menor. Los acondicionadores de aire más nuevos no emiten las “ráfagas” de aire frío a las que usted estaba acostumbrado con sus unidades anteriores, pero esto no es indicio de menor capacidad o eficiencia en el enfriamiento. Verifique el régimen de eficiencia (EER) y el régimen de capacidad (en BTU/hr.) que se indican en el acondicionador de aire.

- **La unidad se encuentra en una habitación muy congelada o se están usando en la misma habitación aparatos que generan calor.** Use ventiladores aspiradores cuando esté cocinando o bañándose y trate de no usar aparatos que generan calor durante las horas más calurosas del día. Podría necesitar un acondicionador de aire con más capacidad, dependiendo del tamaño de la habitación que se desea enfriar.

La unidad se enciende y se apaga demasiado o no enfría la habitación en el modo de enfriamiento.

- **El control de MODE está puesto en POWER SAVER (Ahorro de energía) (en algunos modelos).** Utilice el modo de ahorro de energía únicamente cuando esté fuera de su hogar o durmiendo, debido a que el ventilador no hace circular el aire de la sala continuamente. Para mayor comodidad use LOW, HIGH o TURBO.
- **El acondicionador de aire no tiene el tamaño adecuado para su habitación.** Verifique la capacidad de enfriamiento de su acondicionador de aire para habitación. Los acondicionadores de aire para habitaciones no están diseñados para enfriar varias habitaciones.
- **El filtro está sucio u obstruido por desechos.** Limpie el filtro.
- **El evaporador interno y los serpentines del condensador externo están sucios u obstruidos por desechos.** Vea “Mantenimiento Anual”.
- **Hay demasiado calor o humedad (se está cocinando en recipientes abiertos, duchas, etc.) en la habitación.** Use un ventilador para eliminar el calor o la humedad de la habitación. Trate de no usar aparatos que generan calor durante las horas más calurosas del día.
- **Las rejillas están boqueadas.** Instale el acondicionador de aire en un lugar donde las rejillas no estén bloqueadas por cortinas, persianas, muebles, etc.
- **La temperatura exterior es inferior a los 65°F (18°C).** No trate de poner en marcha el acondicionador de aire en el modo de enfriamiento cuando la temperatura exterior sea inferior a los 65°F (18°C).
- **La temperatura de la habitación que está tratando de enfriar está demasiado caliente.** Deje pasar más tiempo para que el acondicionador de aire enfríe una habitación muy caliente.
- **Están abiertas ventanas o puertas que dan al exterior.** Cierre todas las puertas y ventanas.
- **El control de respiradero está en ABIERTO (en algunos modelos).** Jale el control de respiradero en la posición CERRADO para un enfriamiento máximo.
- **Dependiendo del modelo, el control de Temp/Time o control de temperatura no está en una posición lo suficientemente fría.** Ajuste el Control de TEMP/TIME (Temperatura/Tiempo) a una posición más fría oprimiendo el botón de menos para reducir la temperatura o ajuste el control de TEMPERATURE (Temperatura) a una posición más fría girando la perilla en la dirección de las manecillas del reloj. Ponga el control de FAN SPEED en TURBO o TURBO COOL.

Se filtra agua del gabinete a su casa.

- **El acondicionador de aire no está debidamente nivelado.** El acondicionador de aire debe inclinarse ligeramente hacia abajo, hacia el exterior. Nivele el acondicionador de aire de manera que tenga una inclinación hacia abajo, hacia el exterior para asegurar el debido desagüe. Vea las Instrucciones de instalación.

NOTA: No perfora orificios en la parte inferior de la base de metal o del colector de condensado.

AYUDA O SERVICIO TÉCNICO

Antes de solicitar ayuda o servicio técnico, por favor consulte la sección “Solución de Problemas.” Esto le podría ahorrar el costo de una visita de servicio técnico. Si considera que aún necesita ayuda, siga las instrucciones que aparecen a continuación.

Cuando llame, tenga a mano la fecha de compra y el número completo del modelo y de la serie de su electrodoméstico. Esta información nos ayudará a atender mejor a su pedido.

Si necesita piezas de repuesto

Si necesita pedir piezas de repuesto, recomendamos que use únicamente piezas especificadas de fábrica. Estas piezas encajarán bien y funcionarán bien ya que están confeccionadas con la misma precisión empleada en la fabricación de cada electrodoméstico nuevo.

Para encontrar piezas de repuesto en su localidad, llame a nuestro Centro de interacción del cliente o al centro de servicio designado su localidad.

En los EE.UU.

Llame al Centro de interacción del cliente sin costo alguno al: **1-800-253-1301**.

Nuestros consultores ofrecen asistencia con respecto a:

- Características y especificaciones de nuestra línea completa de electrodomésticos.
- Información sobre instalación.
- Procedimiento para el uso y mantenimiento.
- Venta de accesorios y piezas para reparación.
- Asistencia especializada para el consumidor (habla hispana, problemas de audición, visión limitada, etc.).
- Recomendaciones con distribuidores locales, compañías que dan servicio y distribuidores de partes para reparación. Los técnicos de servicio designados están entrenados para cumplir con la garantía del producto y ofrecer servicio una vez que la garantía termine, en cualquier lugar de los Estados Unidos.

Para localizar la compañía de servicio autorizada en su área, también puede consultar la sección amarilla de su guía telefónica.

Para obtener más asistencia

Si necesita asistencia adicional, puede escribir con sus preguntas o dudas a:

Customer Interaction Center
553 Benson Road
Benton Harbor, MI 49022-2692

Favor de incluir un número telefónico de día en su correspondencia.

Por favor anote la información sobre su modelo.

Siempre que llame para solicitar servicio del aparato, necesitará saber el número del modelo y el número de serie completos. Esta información la encuentra en la placa de número del modelo y número de serie. Vea la ubicación del número del modelo y del número de serie en “Requisitos eléctricos”.

Por favor anote la información sobre el número del modelo y el número de serie que se incluye abajo. Anote también la fecha de compra del aparato, así como el nombre, la dirección y el teléfono de la tienda.

Número de modelo _____

Número de serie _____

Fecha de compra _____

Nombre de la tienda _____

Dirección de la tienda _____

Teléfono de la tienda _____

Guarde este manual y la nota de compra juntos para referencia futura.

Accesorios

Usted puede ordenar los siguientes accesorios para su acondicionador de aire en el distribuidor autorizado de su localidad o llamando al **1-800-253-1301** desde cualquier lugar de los EE.UU.

Filtros de aire de reemplazo

Un filtro de aire limpio y de buena calidad es importante para obtener el mejor enfriamiento con el menor consumo de energía. Limpie regularmente el filtro de aire. Vea las instrucciones de limpieza en la sección “Limpieza del filtro de aire”. Le recomendamos cambiar su filtro de aire una vez al año.

Cubierta resistente

Si usted decide dejar instalado su acondicionador de aire durante el invierno, una cubierta resistente ayudará a proteger su aparato y reducir las corrientes de aire. La cubierta para exteriores protege contra las corrientes de aire frío a través de los orificios de paso de aire de la unidad y protege el gabinete contra la nieve, la lluvia, el agua nieve, la oxidación y el polvo.

Para obtener una cubierta para exteriores resistente del tamaño adecuado para su acondicionador de aire, ordene la pieza #484069.

Para obtener una cubierta para interiores resistente del tamaño adecuado para su acondicionador de aire, ordene la pieza #4392941.

1187361

© 2003.
All rights reserved.
Todos los derechos reservados.

SMART-MOUNT is a trademark of Whirlpool, U.S.A.
SMART-MOUNT Marca de Whirlpool, EE. UU.

10/03
Printed in U.S.A.
Impreso en EE. UU.