

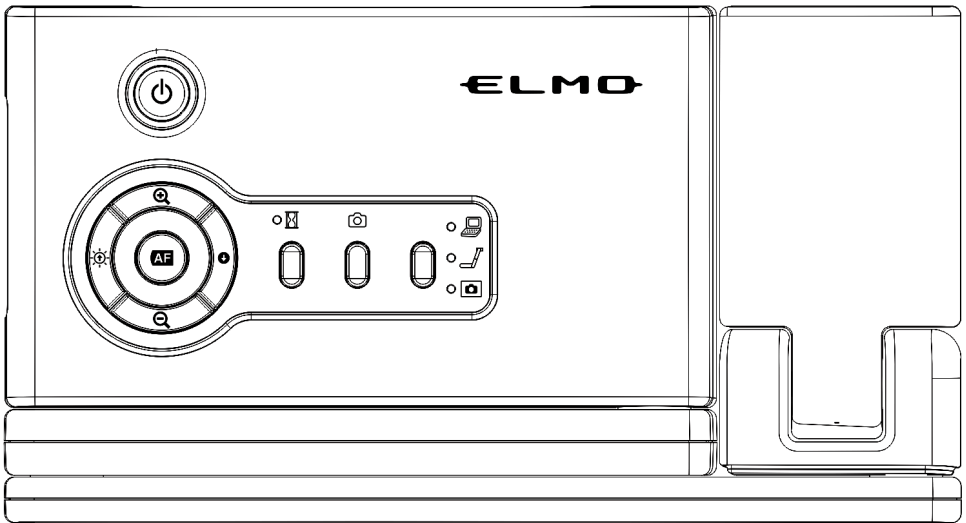
ELMO

DOCUMENT CAMERA

i-Pochette

Instruction Manual

Please read this instruction manual carefully before using this product and keep it for future reference.




Contents

IMPORTANT SAFEGUARDS	2
BEFORE YOU USE	6
1 Package Content	8
2 Part names and Functions	9
2.1 Name of each part	9
2.2 Functions	10
3 Installation and Connections	15
3.1 System diagram.....	15
3.2 Setting up.....	16
3.3 Connecting devices	17
3.4 Start using the i-Pochette	19
4 Operation Procedure.....	20
4.1 Presentation using printed materials, etc.	20
4.2 Presentation using the supplied software with the USB-connected PC21	
4.3 Presentation using a Microscope.	22
4.4 How to switch image sources	23
4.5 How to zoom in /out of images	23
4.6 How to use the auto focus	23
4.7 How to adjust the brightness	23
4.8 How to capture images.....	23
4.9 How to view captured images.....	24
4.10 How to freeze images.....	24
4.11 How to delete captured images.....	24
5 Troubleshooting	25
6 Specifications	26

IMPORTANT SAFEGUARDS



- **Read Instructions** All the safety and operating instructions should be read before the appliance is operated.
- **Retain Instructions** The safety and operating instructions should be retained for future reference.
- **Heed Warnings** All warnings on the product and in the operating instructions should be adhered to.
- **Follow Instructions** All operating and use instructions should be followed.
- **Cleaning** Unplug this product from the wall outlet before cleaning. Do not use liquid cleaners or aerosol cleaners. Use a damp cloth for cleaning.
- **Attachments** Do not use attachments not recommended by the product manufacturer as they may cause hazards.
- **Water and Moisture** Do not use this product near water – for example, near a bath tub, wash bowl, kitchen sink, or laundry tub, in a wet basement, or near a swimming pool, and the like.
- **Placement** Do not place this product on an unstable cart, stand, tripod, bracket, or table. The product may fall, causing serious injury to a child or adult, and serious damage to the product. Use only with a cart, stand, tripod, bracket, or table recommended by the manufacturer, or sold with the product. Any mounting of the product should follow the manufacturer's instructions, and should use a mounting accessory recommended by the manufacturer.
- **Ventilation Slots and openings** in the cabinet are provided for ventilation and to ensure reliable operation of the product and to protect it from overheating, and these openings must not be blocked or covered. The openings should never be blocked by placing the product on a bed, sofa, rug, or other similar surface. This product should not be placed in a built-in installation such as a bookcase or rack unless proper ventilation is provided or the manufacturer's instructions have been adhered to.
- **Power Sources** This product should be operated only from the type of power source indicated on the marking label. If you are not sure of the type of power supply to your home consult your appliance dealer or local power company. For products intended to operate from battery power, or other sources, refer to the operating instructions.
- **Grounding or Polarization** This product may be equipped with either a

polarized 2-wire AC line plug (a plug having one blade wider than the other) or a 3-wire grounding type plug, a plug having a third (grounding) pin. The 2-wire polarized plug will fit into the power outlet only one way. This is a safety feature. If you are unable to insert the plug fully into the outlet, try reversing the plug. If the plug still fails to fit, contact your electrician to replace your obsolete outlet. Do not defeat the safety purpose of the polarized plug. The 3-wire grounding type plug will fit into a grounding type power outlet. This is a safety feature. If you are unable to insert the plug into the outlet, contact your electrician to replace your obsolete outlet. Do not defeat the safety purpose of the grounding type plug.

- **Power-Cord Protection** Power supply cords should be routed so that they are not likely to be walked on or pinched by items placed upon or against them, paying particular attention to cords at plugs, convenience receptacles, and the point where they exit from the product.
- **Lightning** For added protection for this product during a lightning storm, or when it is left unattended and unused for long periods of time, unplug it from the wall outlet and disconnect the antenna or cable system. This will prevent damage to the product due to lightning and power-line surges.
- **Overloading** Do not overload wall outlets, extension cords, or integral convenience receptacles as this can result in a risk of fire or electric shock.
- A product and cart combination should be moved with care. Quick stops, excessive force, and uneven surfaces may cause the product and cart combination to overturn. 
- **Object and Liquid Entry** Never push objects of any kind into this product through openings as they may touch dangerous voltage points or short-out parts that could result in a fire or electric shock. Never spill liquid of any kind on the product.
- **Servicing** Do not attempt to service this product yourself as opening or removing covers may expose you to dangerous voltage or other hazards. Refer all servicing to qualified service personnel.
- **Damage Requiring Service** Unplug this product from the wall outlet and refer servicing to qualified service personnel under the following conditions:
 - When the power-supply cord or plug is damaged.
 - If liquid has been spilled, or objects have fallen into the product. If the product has been exposed to rain or water.
 - If the product does not operate normally by following the operating

instructions. Adjust only those controls that are covered by the operating instructions as an improper adjustment of other controls may result in damage and will often require extensive work by a qualified technician to restore the product to its normal operation.

- If the product has been dropped or damaged in any way.
- When the product exhibits a distinct change in performance this indicates a need for service.
- **Replacement Parts** When replacement parts are required, be sure the service technician has used replacement parts specified by the manufacturer or have the same characteristics as the original part. Unauthorized substitutions may result in fire, electric shock or other hazards.
- **Safety Check** Upon completion of any service or repairs to this product, ask the service technician to perform safety checks to determine that the product is in proper operating condition.
- **Heat** The product should be situated away from heat sources such as radiators, heat registers, stoves, or other products (including amplifier) that produce heat.

	<table border="1"><tr><td>CAUTION</td></tr><tr><td>RISK OF ELECTRIC SHOCK</td></tr><tr><td>DO NOT OPEN</td></tr></table>	CAUTION	RISK OF ELECTRIC SHOCK	DO NOT OPEN	
CAUTION					
RISK OF ELECTRIC SHOCK					
DO NOT OPEN					
<p>CAUTION: TO REDUCE THE RISK OF ELECTRIC SHOCK, DO NOT REMOVE COVER (OR BACK). NO USER-SERVICEABLE PARTS INSIDE. REFER SERVICING TO QUALIFIED SERVICE PERSONNEL.</p>					



SA 1965

The lightning flash with arrowhead symbol, within an equilateral triangle, is intended to alert the user to the presence of uninsulated "dangerous voltage" within the product's enclosure that may be of sufficient magnitude to constitute a risk of electric shock to persons. This marking is located at the bottom of product.



SA 1966

The exclamation point within an equilateral triangle is intended to alert the user to the presence of important operating and maintenance (servicing) instructions in the literature accompanying the product.

**WARNING:
TO REDUCE THE RISK
OF FIRE OR ELECTRIC
SHOCK, DO NOT
EXPOSE THIS
PRODUCT TO RAIN OR
MOISTURE.**

**THIS IS A CLASS A
PRODUCT.
IN A DOMESTIC
ENVIRONMENT THIS
PRODUCT MAY CAUSE
RADIO
INTERFERENCE IN
WHICH CASE THE
USER MAY BE
REQUIRED TO TAKE
ADEQUATE MEASURES.**

WARNING : Handling the cord on this product or cords associated with accessories sold with this product, will expose you to lead, a chemical known to the State of California to cause birth defects or other reproductive harm.
Wash hands after handling.

**FOR UNITED STATES
USERS:
INFORMATION**

This equipment has been tested and found to comply with the limits for a Class A digital device, pursuant to Part 15 of the FCC Rules. These limits are designed to provide reasonable protection against harmful interference when the equipment is operated in a commercial environment. This equipment generates, uses, and can radiate radio frequency energy and, if not installed and used in accordance with the instruction manual, may cause harmful interference to radio communications. Operation of this equipment in a residential area is likely to cause harmful interference in which case the user will be required to correct the interference at his own expense.

**USER-INSTALLER
CAUTION:**

Your authority to operate this FCC verified equipment could be voided if you make changes or modifications not expressly approved by the party responsible for compliance to Part 15 of the FCC rules.

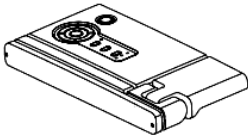
BEFORE YOU USE

- Use the product under the rated electrical conditions. The power cord applicable to the local power specifications is attached. Be sure to use the power cord applicable to your local power specifications.
- Do not leave this product under direct sunlight or by heaters, or it may be discolored, deformed or damaged.
- Do not keep this product in any humid, dusty, salt bearing wind or vibrating location. Use it under the following environmental conditions:
 - Temperature: 0°C - 40°C (32°F-104°F)
 - Humidity: 30% - 85% (No condensation)
- Use a soft, dry cloth for cleaning. Do not use any volatile solvent such as thinner or benzene.
- Do not directly point the camera lens into the sun, or the camera may be damaged.
- Luminescent and Black Spots
 - There may be some pixels that do not properly operate due to the use of CCD Area Image Sensors made-up of many pixels. Though luminescent or black spots may be found on the screen, it is a phenomenon peculiar to the Sensors and is not a malfunction.
- Follow the guidelines below to prevent the unit from dropping or overturning.
 - Use the product on a stable base, desk or table. Do not place the product on unstable base or slant place.
 - Place or wire the unit to prevent the AC adapter cord or video cable from pulling.
- Carry the product holding the lower part of the main unit held in your both hands. Never hold the product by the column or the camera head.
- Use (including set-up and storage) or transfer with your closest attention to prevent the camera head from shocking. When a magnetic sheet is brought close to a cathode ray tube (Braun tube), a speaker, a CD-player, a DVD, or cellular phone, etc, the normal operation may be interrupted or failure may occur.

- If this product is used for longer than the warranty period, its performance and quality may deteriorate due to the lifetime of its parts. In this case, we will replace the parts for a charge. Consult the seller from whom you have purchased this product or our branch/office near your location.

1 Package Content

i-Pochette



Quick Start Guide



CD

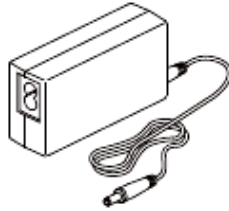


Power Cord



Appearance may vary with country/region.

AC Adapter



Microscope Adapter



C-Video Cable



RGB Cable



USB Cable



Carrying Bag

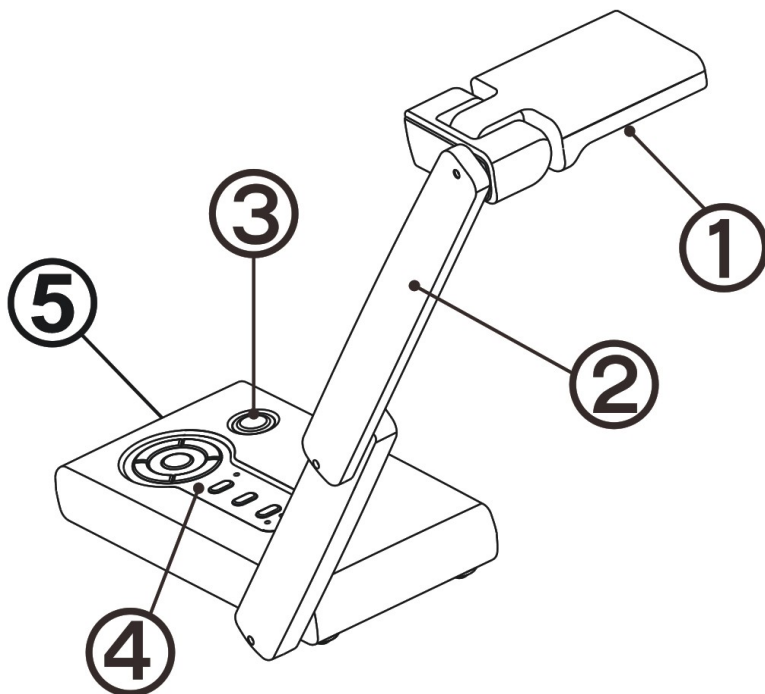


2 Part names and Functions

2.1 Name of each part

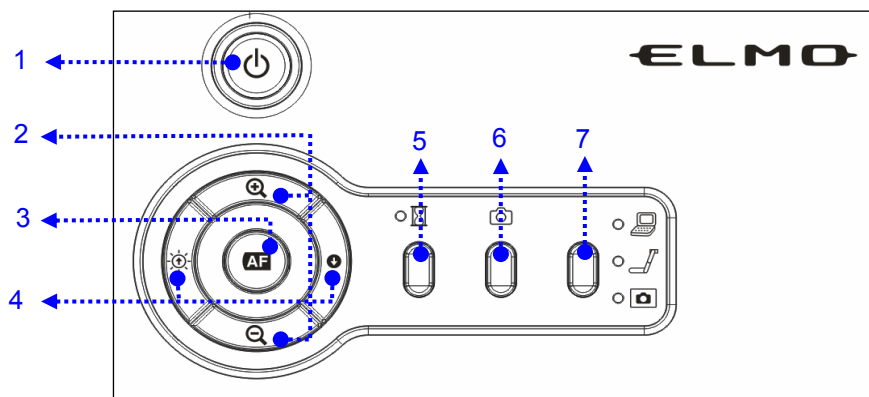
➤ **Appearance**









1. Camera head
2. Camera column
3. Power button
4. Functions buttons
5. Rear panel


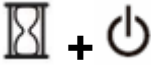


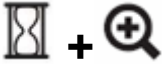




2.2 Functions

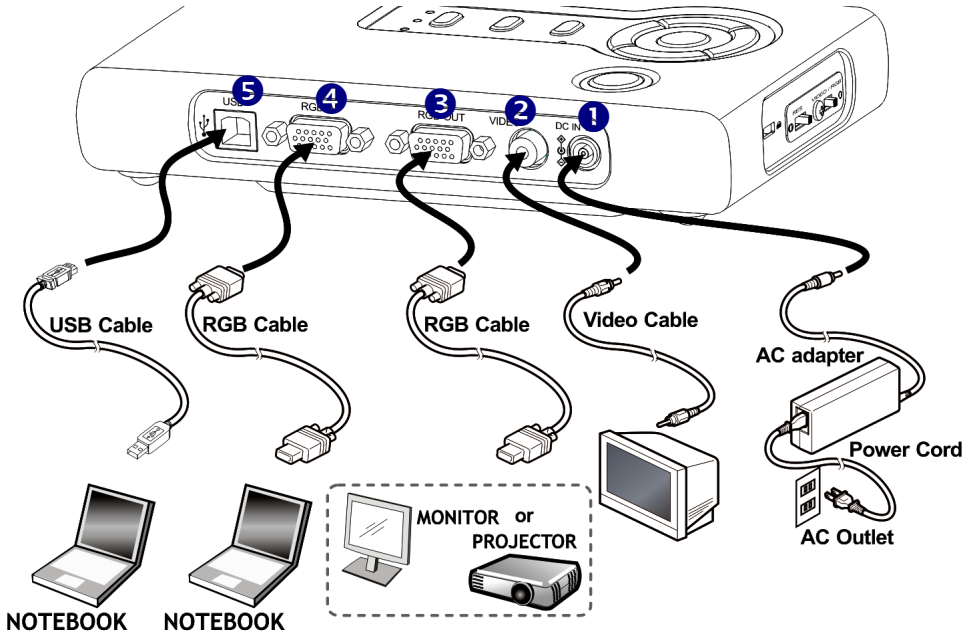
2.2.1 Functions buttons



No	Name	Function
1		To turn ON/OFF the power. Power ON : Blue light turns on. Power OFF standby : Red light turns on.
2		Increase the image size.
		Decrease the image size.
3		1. Automatically adjust focal length on an object. 2. Enter : Playback full image in Playback mode. 3. Enter : Go back thumbnail in Full image mode.
4		1. To brighten the camera image. 2. Full image forward, cycling in full image mode. 3. Left cursor in Thumbnail mode.
		1. To darken the camera image. 2. Full image back, cycling in full image mode. 3. Right cursor in Thumbnail mode.
5		Freeze the current image to temporarily stay on the screen.
6		Capture the image to the internal memory.

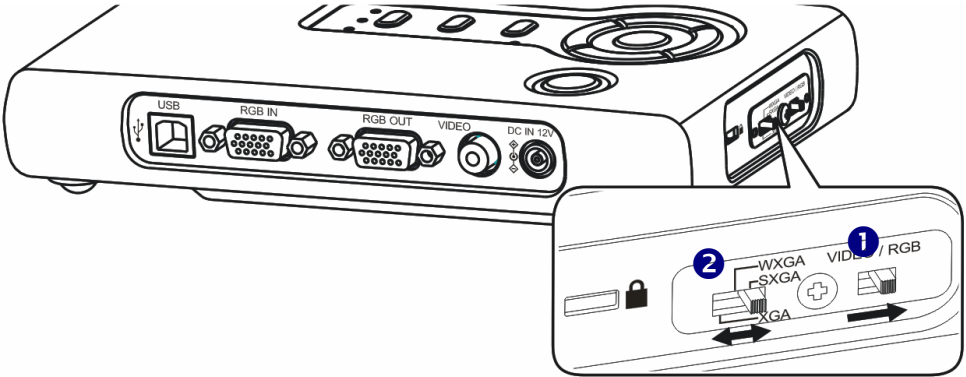
7		<p>Switch between different sources of signals :</p> <ol style="list-style-type: none"> 1. Computer 2. Camera 3. Internal memory
8		<p>Clear all captured images in memory mode.</p> <p>Note Press the  first then press  together.</p>
9		<p>Enter to the Service Menu</p> <p>Note Press the  first then press  together for 5 seconds.</p>

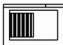
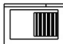
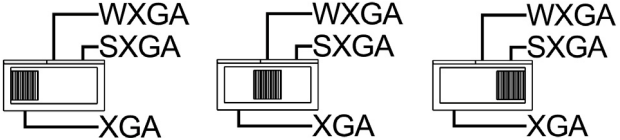

2.2.2 Rear Panel



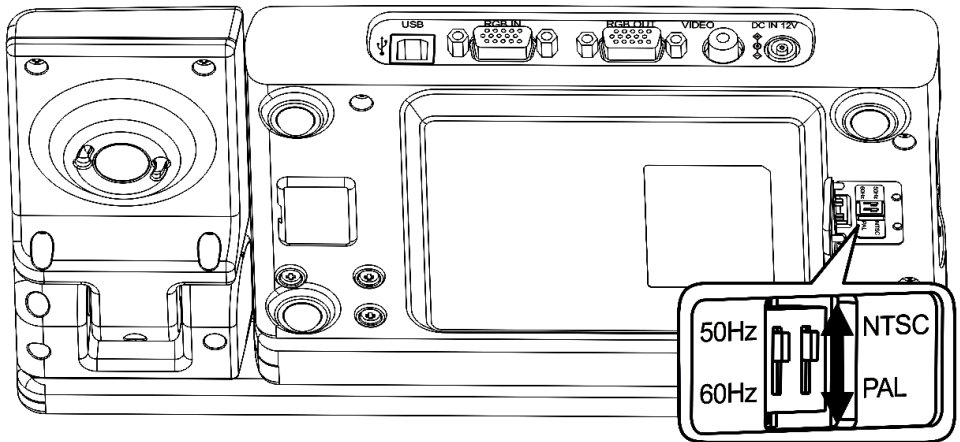
No	Name	Function
1	DC IN 12 V	Plug-in for the AC adapter.
2	VIDEO	To output image from the RCA pin-jack terminal to the NTSC/PAL-system monitor (e.g., TV monitor).
3	RGB OUT	To output analog video signal to the projector, the PC. monitor or other RGB input device.
4	RGB IN	To output the image input to this terminal, when [PC] is selected.
5	USB	To transfer image or control the main unit using the software contained in the supplied Utility Software CDROM by connecting with the PC.











2.2.3 Side Panel



No	Name	Function
1	VIDEO / RGB	<p>To switch the RGB (default) or Video mode. VIDEO / RGB</p> <p>Video mode: </p> <p>VIDEO / RGB</p> <p>RGB mode: </p> <p>Note RGB output is not supported once VIDEO output is enabled.</p> <p>Note The unit must be turned OFF to change the mode.</p>
2	XGA / SXGA / WXGA /	<p>To switch the resolution : XGA (default) / SXGA / WXGA mode.</p> <p></p> <p>Note The unit must be turned OFF to change the mode.</p>
3		Security slot

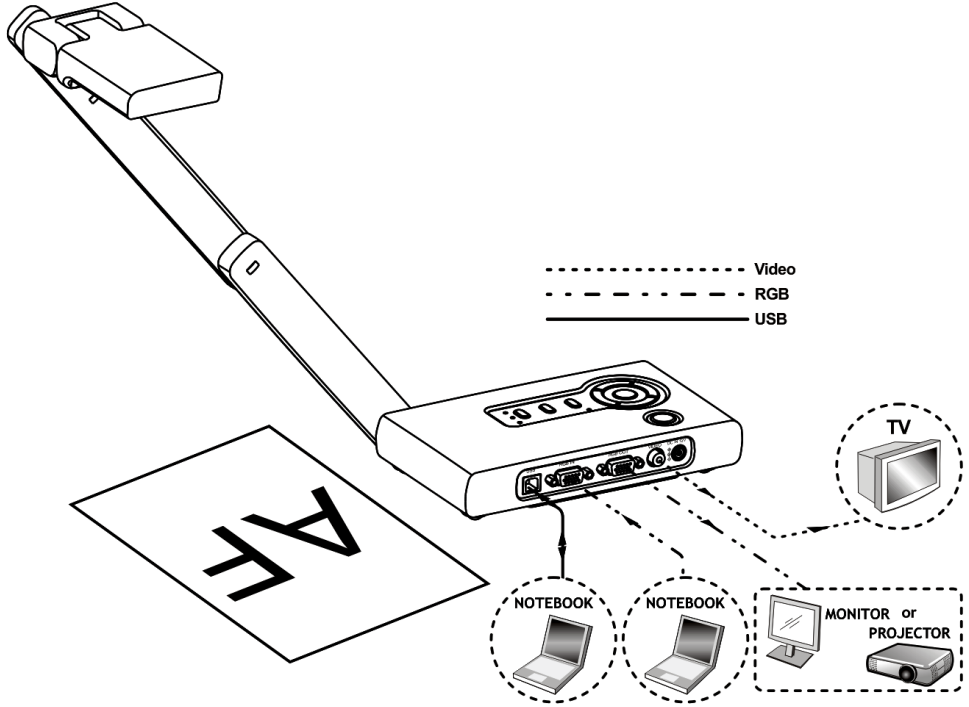
2.2.4 Bottom panel



No	Name	Function
1	50Hz, 60Hz NTSC, PAL	<p>To switch the NTSC(default) or PAL mode.</p> <p>50Hz  NTSC 60Hz  PAL</p> <p>NTSC:</p> <p>50Hz  NTSC 60Hz  PAL</p> <p>PAL:</p> <p> Note The unit must be turned OFF to change the mode.</p>
2		<p>To switch the 60Hz (default) or 50 Hz output mode.</p> <p>50Hz  NTSC 60Hz  PAL</p> <p>60Hz:</p> <p>50Hz  NTSC 60Hz  PAL</p> <p>50Hz:</p> <p> Note The unit must be turned OFF to change the mode.</p>

3 Installation and Connections

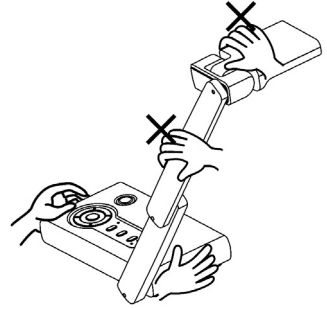
3.1 System diagram



3.2 Setting up

Note

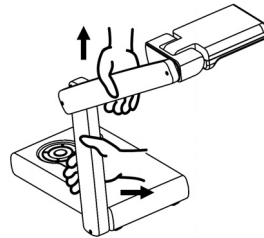
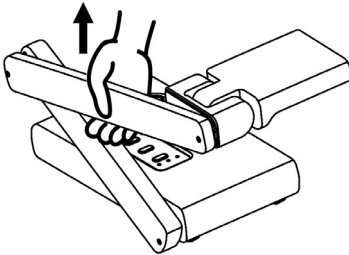
Be sure to hold the lower part of the main unit in both hands when carrying the unit. Never hold the column or the camera head. Pay attention to prevent the camera head from knocking against the desk or the like.



1 Turn the column to the direction

Note

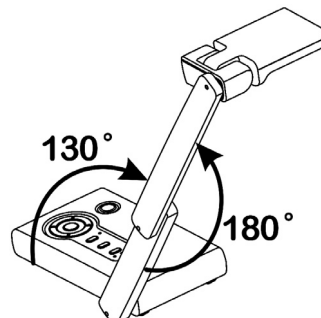
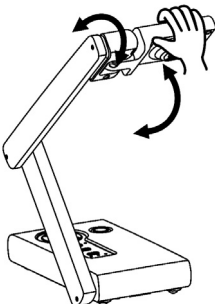
Never turn the column to the opposite direction. The column will be broken by forcibly removed. Please be attention on your fingers in the columns.



2 Turn the camera head

Note

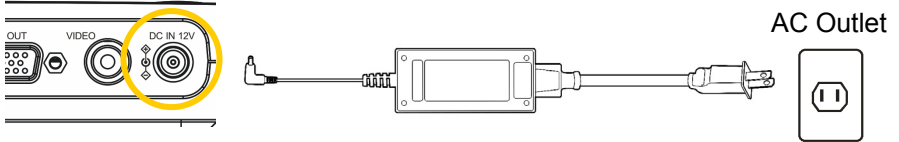
Proper set up position of the camera head.



3.3 Connecting devices

3.3.1 Step 1: Plugging in the power outlet

Connect the DC plug of the supplied AC adapter to the [DC IN 12V] terminal on the rear panel before inserting the AC adapter in an outlet.



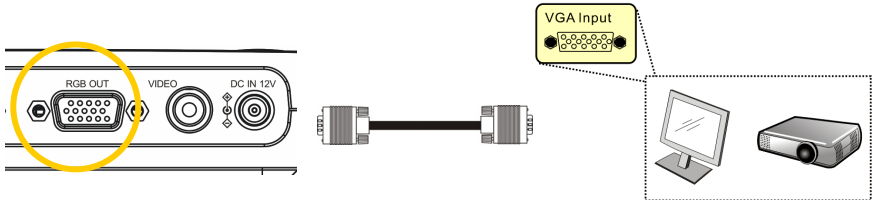
Note

- Appearance of power cord may vary with countries/regions.
- Hold the plug of cable to plug/unplug the power plug/the AC adapter or video cable.

3.3.2 Step 2: Connecting with components

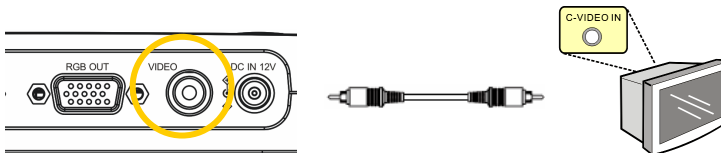
➤ Connecting to a projector or monitor

- Connect the RGB OUT on the i-Pochette to the RGB IN on the projector or monitor using the supplied RGB cable.

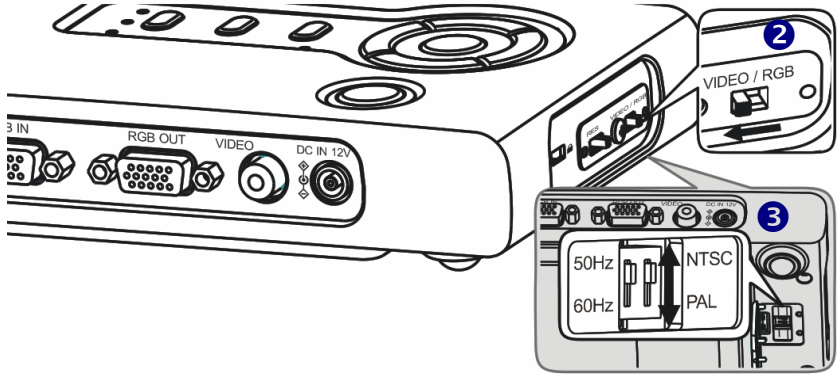


➤ Connecting to a TV

1. Using the supplied video cable to connect VIDEO of i-Pochette to a C-Video of TV.



2. Switch to Video mode.



3. Adjust switch setting

- NTSC mode: USA, Canada, Mexico, Panama, Chile, Japan, Taiwan, Korea and Philippines.



- PAL mode: Country/region not listed above:

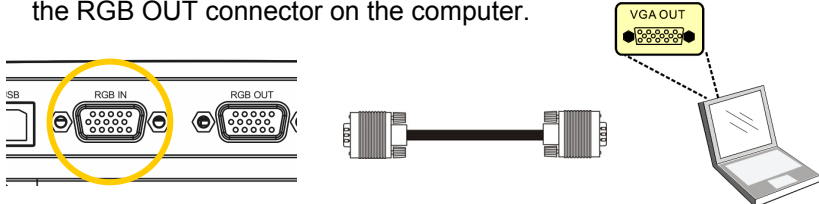


Note

- **DIP Switch setting will not be available until restarting the i-Pochette.**

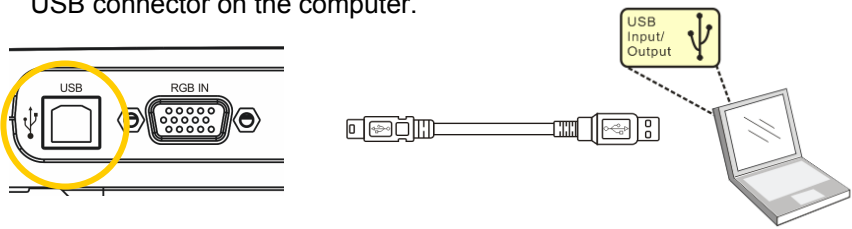
➤ **Connecting to a computer**

- Use supplied RGB cable to connect RGB IN connector on i-Pochette to the RGB OUT connector on the computer.

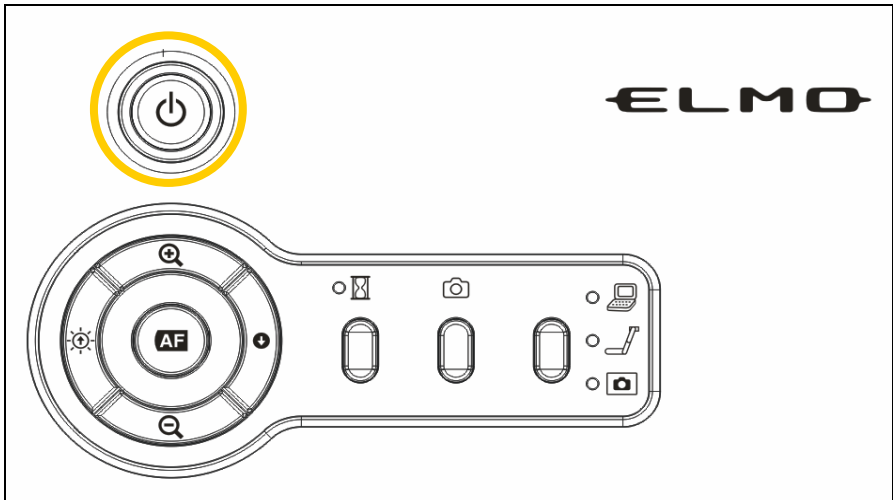


- Using the USB Cable

Use supplied USB cable to connect USB connector on i-Pochette to the USB connector on the computer.



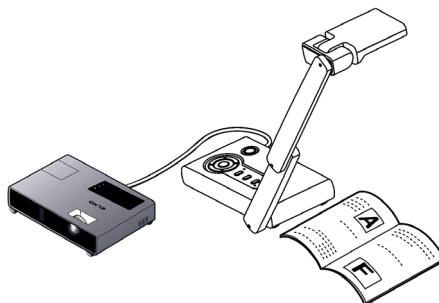
3.4 Start using the i-Pochette



- Turn the power button of the main unit ON.
- Once i-Pochette is turned on, the LED on the control panel will flash a few times and stay lit. Please contact your distributor if the LED is not on.

4 Operation Procedure



4.1 Presentation using printed materials, etc.




4.1.1 Setting the main unit:

Set the main unit as shown in the above figure, connect the main unit to the projector or the PC monitor, and then turn the power button of the main unit ON.



4.1.2 Adjusting the size:

Place an object, adjust the position of the object with the zoom buttons ( ) so that the objective part fits the screen size.

4.1.3 Adjusting the focus

Press the  button to focus the camera on the object.

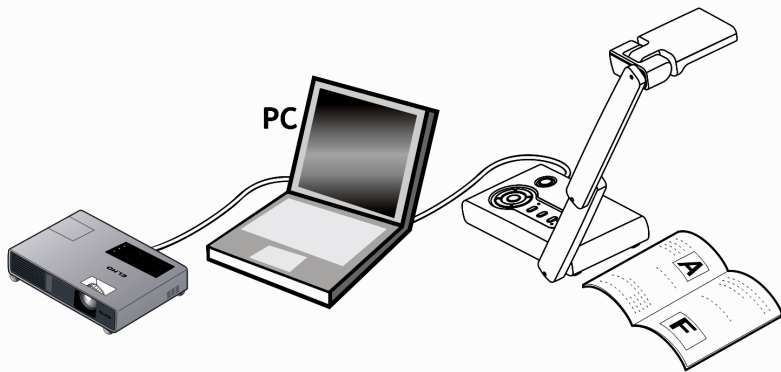
4.1.4 Adjusting the brightness

Press the  and  buttons on the main unit to adjust image brightness.

Note

- **When connecting to other devices, be sure to turn OFF the power of all the devices.**

4.2 Presentation using the supplied software with the USB-connected PC



4.2.1 Install "Image Mate" Software

"Image Mate" can be found on the supplied CD-ROM.

The "Image Mate" and TWAIN driver "Image Mate TWAIN" software for controlling this device can be found on the CD-ROM and allows you to perform the following functions.

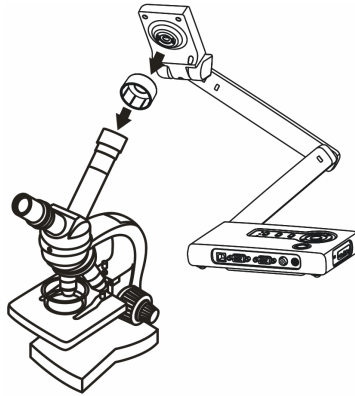
- Transfer moving/still images to the PC
- Operate this product from the PC

For information such as PC hardware requirements, OS type, software guides, and the "Image Mate", see the "HELP folder" on the CD-ROM.

Note

- When the operating button is in operation, do not connect/disconnect the USB cable, or malfunction will be caused to this product.
- The USB cable compliant with USB2.0 is recommended.
- When the DIP switch is set to the VIDEO, the image cannot be output from the USB. Refer to "OUTPUT (DIP switch)" on page 13 to switch the image output to the RGB.
- Depending on the USB environment used by the PC or peripheral units, the image transfer could be disturbed.

4.3 Presentation using a Microscope.





4.3.1 Setting a microscope

Place an object such as a prepared slide on a microscope. Adjust focus by checking with eyes at the microscope side.


4.3.2 Setting the main unit

Connect the main unit to a projector or a PC monitor. Then turn the power switch of the main unit ON.



4.3.3 Adjusting the size

Place an object, adjust the position of the object with the zoom buttons ( ) so that the objective part fits the screen size.

4.3.4 Adjusting the focus

Press the  button to focus the camera on the object.

4.3.5 Adjusting the brightness

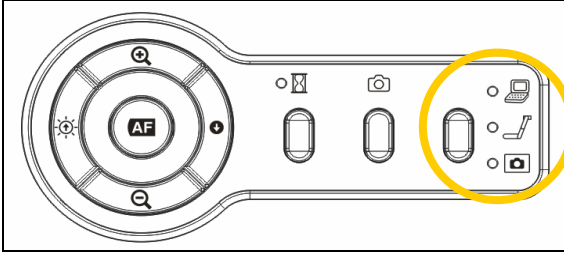
Press the  and  buttons on the main unit to adjust image brightness.

Note

- Pay attention to prevent the lens from knocking on a microscope.



4.4 How to switch image sources

Live image is the default of image source. Press source button on the control panel to change:




1. Camera (default)
2. Computer
3. Internal memory



4.5 How to zoom in /out of images

1. Press  on the control panel to zoom in.
2. Press  on the control panel to zoom out.


4.6 How to use the auto focus

1. Press  on the control panel.

4.7 How to adjust the brightness

1. Press  to make it brighter.
2. Press  to make it darker.








4.8 How to capture images

1. Press  on the control panel.


Note

- Max of 16 images to store then, overwrite previous image.



4.9 How to view captured images

1. Press source button on the control panel to switch to camera  mode to display captured images.
2. Press  or  or  or  to select the thumbnail you want you view.
3. Press  for the full-screen display of the image.
4. Press  to exit at thumbnail mode.

4.10 How to freeze images

1. Press  to freeze the current image on the screen. Press again to unfreeze.

4.11 How to delete captured images



1. Press  and  together in memory mode to delete all captured photos in the storage.

Note

Press the  first then press  together.

5 Troubleshooting

This chapter describes problems you may encounter while using i-Pochette. If you have questions, please refer to related chapters and follow all the suggested solutions. If the problem still occurred, please contact our distributors or service center.

No.	Symptom	Solutions
1	Boot without power	Make sure you have plugged in the power cord.
2	No image output from the i-Pochette	<ol style="list-style-type: none">1. Check the power.2. Check the connection, Refer to User Manual 3 Installation and Connections.3. Check the source, refer to User Manual 4.4 I would like to switch image sources.4. Check the settings for the source of the projector. For the appropriate input selection of the projector, refer to the projector's user manual.5. Check if DIP Switch is properly set. Refer to User Manual 2.2.3Side Panel for related settings.
3	Unable to focus	Probably the document is too close. Press  on the control panel. Or pull away the distance between document and lens, then press  .
4	The image is incomplete	Check the Auto Image setting of your projector. Please refer to the user manual of the projector.

6 Specifications

■ General

Item	Specification
Lens :	F3.0,f=3.39mm
Sensor :	1/4" UXGA CMOS Image Sensor
IO connector :	Rear of Platform <ul style="list-style-type: none"> ● USB : Type B ● RGB IN : HD-15P, Female ● RGB OUT : HD-15P, Female ● VIDEO : RCA Jack ● DC IN 12V
	Side of Platform <ul style="list-style-type: none"> ● Lock :Security Slot ● XGA/SXGA/WXGA Switch ● VIDEO/RGB Switch
Dimension	Fold : 262mm(L) 142mm(W) 37mm(H) / 10.3inch(L) 5.6inch(W) 1.5 inch(H)
	Operating : 446mm(L) 142mm(W) 338mm(H) / 17.6 inch(L) 5.6 inch(W) 13.3 inch(H)
Weight	1.3Kg / 2.87 lbs
Power Consumption	DC12V (AC adapter AC 100-240V)
	Standby : 0.062A-0.1A 4.7W (AC adapter included)
	Power On : 0.072-0.116A 5.6W-5.7W (AC adapter included)

■ Performance

Item	Specification
Output Mode	XGA : 60Hz 1024 * 768 SXGA : 60Hz 1280 * 1024 WXGA: 60Hz 1280 * 800
USB	USB2.0 HS
Built-in Storage	16 images
Digital Zoom	RGBHV : 6X (Digital zoom) PAL/NTSC : 6X(Digital zoom)

Input Selection	Camera/PC/Memory
AF	Yes
AWB	Yes
AE	Yes
Capture	Yes
Freeze	Yes
Max Shooting Area	Min : $\leq 53 \times 40$ mm in XGA
Min Shooting Area	Max : ≥ 340 mm x 255mm in XGA

■ Supplied Accessories

Name	Quantity
AC Cord	1
AC Adapter	1
C-Video Cable	1
Analog RGB Cable	1
USB Cable	1
Microscope Adapter	1
Carrying Bag(Body)	1
CD-ROM	1
Quick Start Guide	1

ご注意

- スライド・書籍・写真等は個人で楽しむほかは、著作権法上、権利者に無断で録画できませんのでご注意ください。
- この装置は、商工業地域で使用されるべき情報装置です。住宅地、またはその隣接した地域で使用すると、ラジオテレビジョン受信機等に、受信障害を与えることがあります。
- 補修用性能部品について
当社ではこの製品の補修用性能部品（製品の機能を維持するために必要な部品）を、製造打ち切り後8年間保有しています。この部品保有期間を修理可能な期間とさせていただきます。
- カメラシステムを使用して撮影する人物・その他の映像で、個人を特定できるものは個人情報となります。その映像の開示・公開等の取扱いは、システムを運用する方の責務となりますので、ご注意ください。

WARNING

Unauthorized recording of copyrighted side films, materials, photographs, etc. may infringe on the rights of copyright owners and be contrary to copyright laws.

AVERTISSEMENT

La copie de film / document / photographie protégé est interdite sans autorisation expresse des détenteurs des droits de reproduction (Loi sur le Copyright).

Ce Présentateur Visuel est conçu pour son emploi dans l'environnement industriel et commercial. Son emploi dans une zone résidentielle est susceptible de provoquer des interferences radioélectriques nuisibles pour le voisinage (récepteurs radio et téléviseurs).

WARNUNG

Nicht genehmigte Aufnahmen von rechtlich geschützten Diafilmen, Fotografien und ähnlichen Dokumenten können Urheberrechte verletzen und werden ggf. rechtlich verfolgt.

株式会社 エルモ社

〒467-8567

名古屋市瑞穂区明前町6番14号

Web: <http://www.elmo.co.jp/>

OVERSEAS SUBSIDIARY COMPANIES

U.S.A.

ELMO USA CORP.

Headquarters

1478 Old Country Road
Plainview, NY 11803-5034, U.S.A
Tel:(516) 501-1400 Fax:(516) 501-0429
E-mail: elmo@elmousa.com
Web: <http://www.elmousa.com>

West Coast Branch

Cypress Pointe Business Park
5676 Corporate Avenue
Cypress, CA 90630, U.S.A
Tel:(714) 828-8457 Fax:(714) 828-8429

Germany

ELMO (Europe) G.m.b.H

Neanderstr. 18
40233 Düsseldorf, Germany
Tel:(0211) 386470 Fax:(0211) 376630
E-mail: info@elmoeurope.com
Web: <http://www.elmoeurope.com/>

ELMO CO., LTD.

6-14, Meizen-cho, Mizuho-ku, Nagoya,
467-8567, Japan