

Outdoor Patio Heater

Endless Summer

TM



Owner's Manual

Model No.
233010



WARNING

FOR YOUR SAFETY:

For Outdoor Use Only
(outside any enclosure)

Solamente Para Uso En Exteriores
(fuera de cualquier recinto)



WARNING

FOR YOUR SAFETY:

For Outdoor Use Only
(outside any enclosure)



WARNING

FOR YOUR SAFETY:

If you smell gas -

- 1. Shut off gas to appliance.**
- 2. Extinguish any open flame.**
- 3. If odor continues, contact your gas supplier or local fire department.**



WARNING

FOR YOUR SAFETY:

- 1. Gas leaks may cause a fire or explosion which can cause serious bodily injury or death, or damage to property.**
- 2. You must follow all leak-checking procedures as outlined in step 10 before operating this unit.**
- 3. Never use an open flame to check for leaks.**



WARNING

FOR YOUR SAFETY:

- Purchaser assumes all risk in the assembly and operation of this unit. Failure to follow this manual's warnings and instructions can result in severe personal injury, death or property damage.**
- Do not use in an explosive atmosphere. Keep heater away from areas where flammable liquids, gasoline, vapors, or explosives are stored or used.**



WARNING

FOR YOUR SAFETY:

Improper installation, adjustment, alteration, service or maintenance can cause injury or property damage. Read the installation, operation and maintenance instructions thoroughly before installing or servicing this equipment.



WARNING

FOR YOUR SAFETY:

Do not store or use gasoline or other flammable vapors or liquids in the vicinity of this or any other appliance.



WARNING

FOR YOUR SAFETY:

- Improper installation, adjustment, alteration, service or maintenance can cause injury or property damage.**
- Read the installation, operation, and maintenance instructions thoroughly before installing or servicing this equipment.**
- Failure to follow the manual's warnings and instructions can result in severe personal injury, death, or property damage.**
- Fuel systems must be installed by qualified and licensed personnel. Improper installations present hazards, which can lead to personal injury or property damage. Please contact your local Natural Gas supplier for these services.**

**Contact 1-800-762-1142 for assistance.
Do not return to place of purchase.**

Table of Contents

Safety First!3

Assembly Instructions

 Components & Hardware5

 General Components & Features6

 Additional Requirements6

 Step 1 Attach Legs to Base6

 Step 2 Attach Platform to Legs7

 Step 3 Insert Gas Line Through Platform / Attach Cover7

 Step 4 Attach Engine to Post8

 Step 5 Attach Engine/Post to Platform8

 Step 6 Connect Gas Line to Engine9

 Step 7 Assemble Dome9

 Step 8 Attach Dome to Emitter10

 Step 9 Secure Gas Line10

 Step 10 Check for Leaks11

 Step 11 Replace Engine Access Panel12

 Step 12 Install Igniter Battery12

Operation

 Before Turning Gas Supply ON13

 Before Lighting13

 Lighting13

 Re-Lighting14

 Shutdown14

 Operations Checklist15

Troubleshooting16

Maintenance17

Storage18

Service18

Warranty19

Specifications20



The use and installation of this product must conform to local codes. In absence of local codes, use the National Fuel and Gas Code, ANSI Z223, 1/NFPA 54, Storage and Handling of Liquid Petroleum Gases, ANSI/NFPA 58 or CSA B149.1, Natural Gas and Propane Installation Code.

Save these instructions for future reference. If you are assembling this unit for someone else, give this manual to him or her to save for future reference.



**Before you do anything else,
read and understand all
precautions in Safety First!**



WARNING

FOR YOUR SAFETY:

- **Purchaser assumes all risk in the assembly and operation of this unit. Failure to follow this manual's warnings and instructions can result in severe personal injury, death or property damage.**
- **Do not use in an explosive atmosphere. Keep heater away from areas where flammable liquids, gasoline, vapors, or explosives are stored or used.**

Safety First!

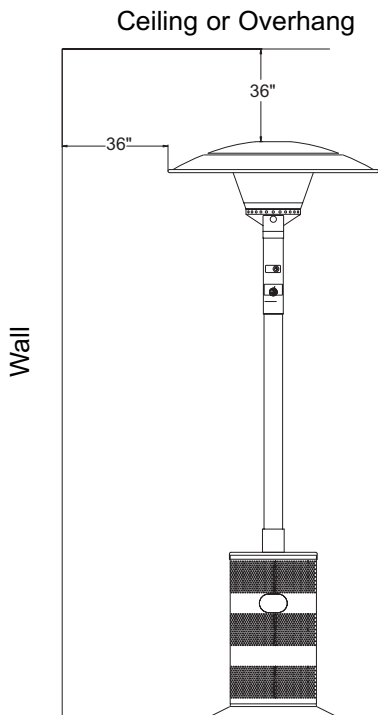
Installation and repairs should be done by a qualified service person.

Read and become familiar with this entire manual, especially the following precautions.

If you are unsure of anything in these instructions, STOP and contact 1-800-762-1142 for assistance.

Caution: This appliance is for outdoor use only (outside any enclosure). Always make sure there is fresh air ventilation.

- Always maintain at least 36" clearance (top) and 24" clearance (side) from combustible materials.
- Always place heater on a hard and level surface.
- Do not use if the wind velocity is greater than 10 miles per hour.
- Unit will operate at reduced efficiency below 40° F (5° C).
- It is normal for the heater to make a hissing sound at start-up. This will decrease as the heater warms up.
- Keep sprinklers and other water sources away from burner and controls.
- Always use extreme caution when near heater. Alert both children and adults to the hazards of high temperatures, especially to avoid burns or clothing catching fire.
- Young children and pets should be carefully supervised when they are in the area of heater.
- Do not hang clothing or other flammable materials either on or near heater.
- Certain materials or items, when stored under heater, will be subjected to radiant heat and could be seriously damaged.
- Do not alter heater in any manner.
- Inspect heater before each use. If a damaged part is detected, do not operate until an original equipment replacement part has been properly installed. Use of unauthorized parts will void warranty and create an unsafe condition.
- Prior to operating heater, replace any guards or protective devices removed for servicing.
- During operation, do not touch burner assembly. The surface of heater's emitter can reach temperatures approaching 1600°F.



**Contact 1-800-762-1142 for assistance.
Do not return to place of purchase.**

Endless Summer 

- After shutdown, do not touch burner assembly until heater has cooled (approximately 45 minutes after use).
- The appliance and its individual shutoff valve must be disconnected from the gas supply piping system during any pressure testing of that system at test pressures in excess of 1/2 psig (3.5 kpa).
- The appliance must be isolated from the gas supply piping system by closing its individual manual shutoff valve during any pressure testing of the gas supply piping system at test pressures equal to or less than 1/2 psig (3.5 kpa).
- Always perform a leak test on gas connections whenever heater is serviced. Never use a flame to test for leaks. Do not smoke while performing a leak test.

Caution: It is essential to keep the heater's valve compartment, burners, and circulating air passages clean.

- Spiders and insects can create a dangerous condition that may damage heater or make it unsafe. Keep burner area clean of all spiders, webs, or insects.
- Inspect heater before each use.
- Have heater inspected annually by a qualified service person.
- Check heater immediately if any of the following conditions exist:
 - The smell of gas in conjunction with extreme yellow tipping of burner flames.
 - Heater does not reach proper temperature.
Note: At temperatures less than 40° F, heat output will be reduced.
 - Heater's glow is excessively uneven.
 - Burner makes popping noises during use.
Note: A slight pop is normal when burner is extinguished.
- Carbon deposits may create a fire hazard. Keep dome and emitter clean at all times.
- Do not clean heater with combustible or corrosive cleaners. Use warm, soapy water.
- Do not paint engine, engine access panel or dome.

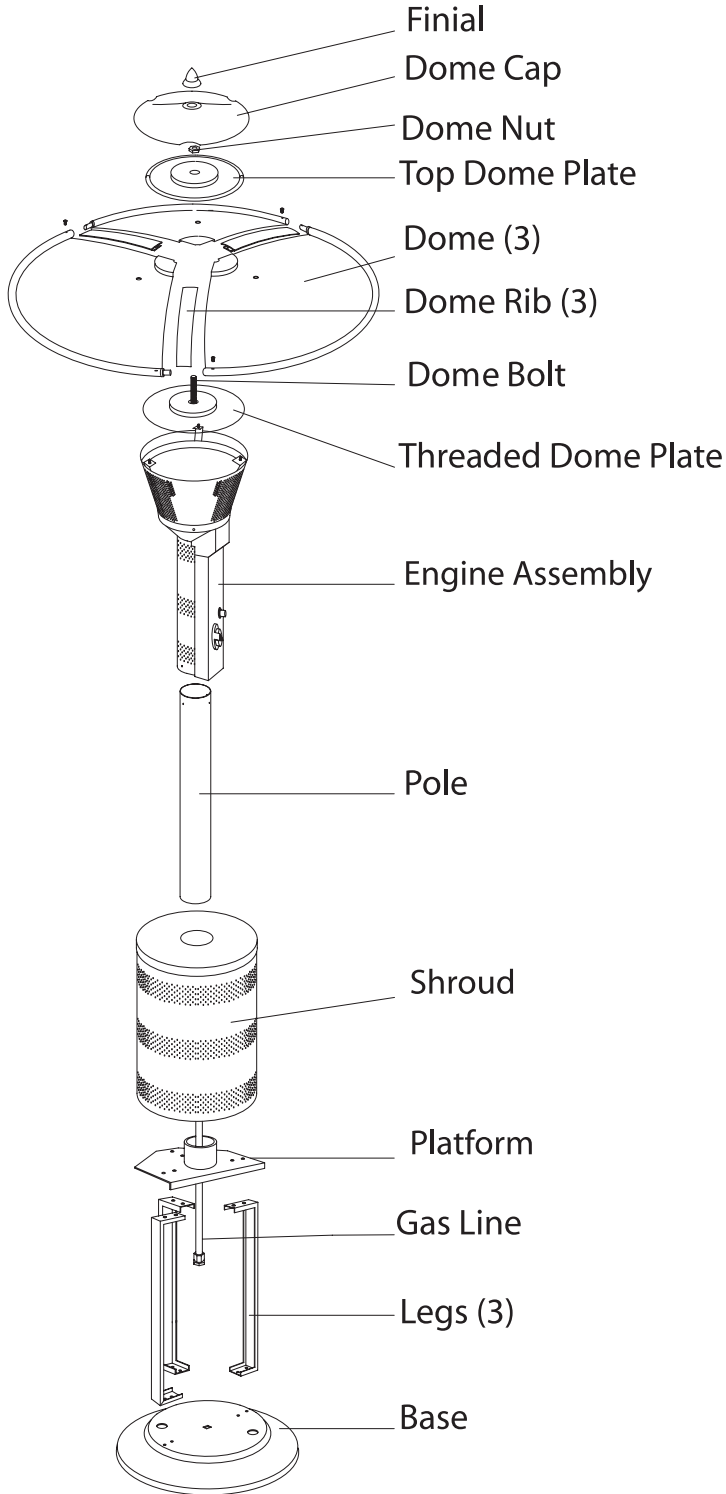
FOR YOUR SAFETY:

Beware of Spiders

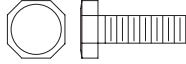
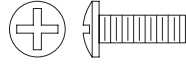
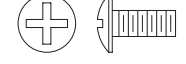









Spiders or small insects can get into the burner tube or other openings of your heater, and spin webs or build nests. These obstructions can lead to gas flow problems. It is important to make frequent inspections of these areas and clean them when necessary.

Before operating your heater for the first time, be sure to check for obstructions that may have occurred during shipment.

Components



Hardware

Picture	Qty	Description	Used in Step(s)
	12	Large Bolt	1 & 2
	1	Large Screw	2
	4	Medium Screw	4
	3	Dome Screw	7
	12	Small Lockwasher	1 & 2
	3	Cap Nut	8
	1	Medium Nut	7
	12	Small Nut	1 & 2
	1	Clip	2
	1	Finial	7
	1	Dome Bolt	7
	1	Hex Wrench	5

**Contact 1-800-762-1142 for assistance.
Do not return to place of purchase.**

Endless Summer™ 

Assembly Instructions

General Components & Features

Familiarize yourself with all components before proceeding. Refer to page 5 for hardware and components, and page 20 for specifications.

The white ceramic cone in the top of the engine is an important piece. DO NOT REMOVE.

Do NOT attempt assembly unless all components are available. If you believe a component is missing or damaged, contact 1-800-762-1142 for assistance.

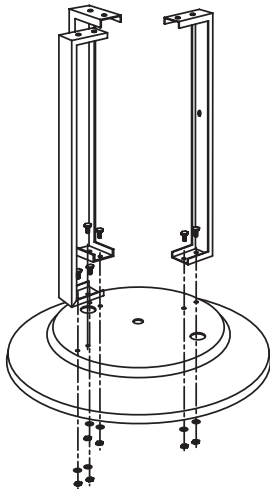
Note: All hardware is mounted on a cardboard pack and numbered to match their assembly step.

Additional Requirements

The following items are not included, but are necessary for the proper assembly of your heater. Do NOT attempt to assemble without proper tools. A hex (Allen) wrench is necessary and is included in the parts bag.

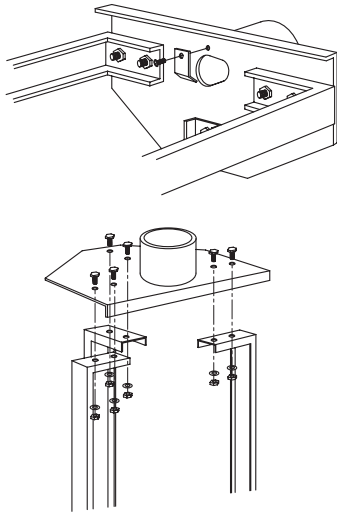
- (1) 7/16" Wrench
- (1) 7/16" Socket Wrench
- (1) #2 Phillips Head Screwdriver
- (1) Roll 3/8" Teflon plumbers tape
- (1) Leak Detection Solution (Instructions on how to make solution are included in step 12)

Note: You must follow all steps to properly assemble heater.



Step 1 – Attach Legs to Base

- Secure Legs to Base using (2) Large Bolts, (2) Small lock washers and (2) Small nuts per leg. Finger tighten only.
- Do not fully tighten until Step 2.



Step 2 – Attach Platform to Legs

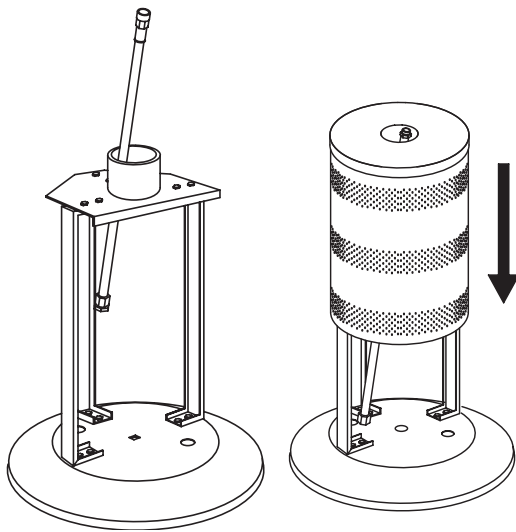
- Line up hole in Clip with small threaded hole on bottom of Platform.
- Attach Clip loosely to Platform with (1) Large Screw.

Note: Do not tighten until step 9.

- Using 7/16" wrench, secure Platform to Legs using (2) Large Bolts, (2) Small Lock Washers and (2) Small Nuts per Leg. Tighten fully.
- Fully tighten all nuts and bolts from Step 1.

TIP:

To tighten use a 7/16" wrench on Bolt and a 7/16" socket wrench on Nut.



Step 3 – Insert Gas Line Through Platform / Attach Cylinder Cover

- Insert Gas Line up through large hole in Platform from underneath between center and left leg as shown in illustration.
- Slide Shroud Cover over Gas Line, then over Platform/Leg assembly until bottom of Shroud rests on Base.

Note:

The fitting at end of gas line is 3/8 NPT female. Plumbing should be done from this point according to local code.

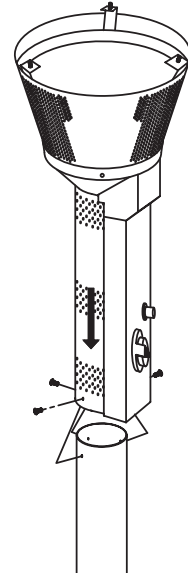
Step 4 – Attach Engine to Post

- Lay Engine Assembly on its side, using large carton for support.
- Remove and save Control Knob.
- Remove and save Engine Access Panel by removing (1) black Thumbscrew from bottom of Access Door.
- Disconnect wire from Igniter by gently pulling wire from back of box.
- Align (4) holes in top of Post with (4) holes in bottom of Engine.

Note: One hole is at a different level than the rest. Make sure that all 4 holes line up properly.

- Insert (4) Medium Screws enough to hold Engine in place. They will be fully tightened at the end of Step 6.

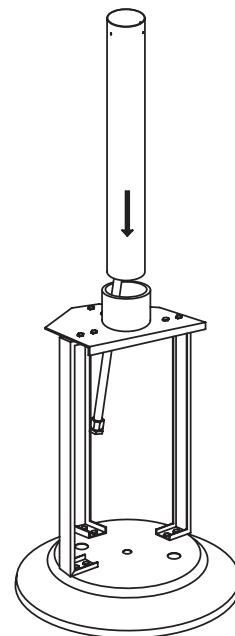
Note: Do not replace Engine Access Panel until Step 12.

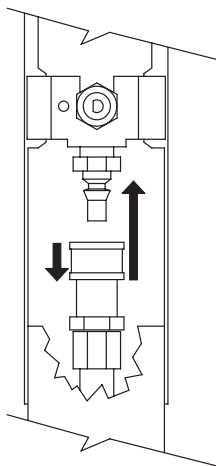


Step 5 – Attach Engine/Post to Platform

- Insert end of Post without holes over Gas Line, being careful not to bend Gas Line.
- Slide Post into collar of Platform so Post rests completely on Platform.
- Tighten bottom three setscrews with hex (Allen) wrench supplied.
- Make sure Post is perpendicular to Base.
- Use top three setscrews to adjust Post's angle as necessary.
- Tighten all six setscrews.

Note: Post must be perpendicular to Base. Failure to do so will adversely affect burner performance.



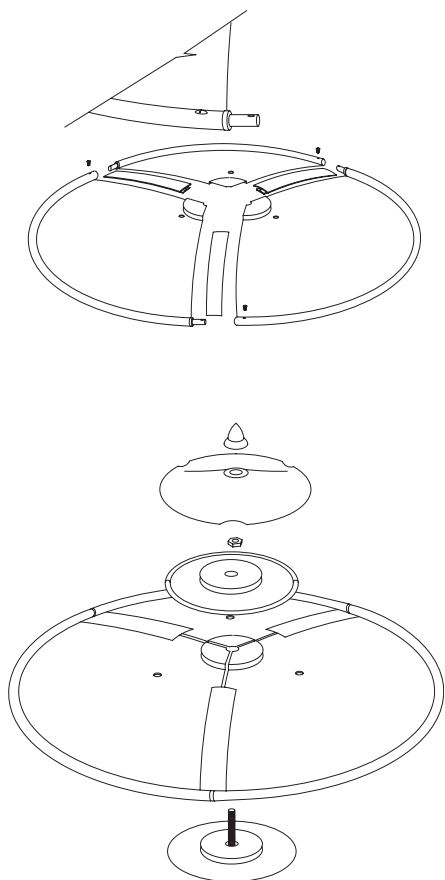


Step 6 – Connect Gas Line to Engine

- Attach Gas Line to Control Valve:
- Pull collar of Gas Line back.
- Insert Gas Line over Control Valve.
- Release collar and it should lock in place. (Tip – push Gas Line up from bottom of Post to make a good seating before releasing the collar.)
- Gently tug on line to test for proper connection. If Gas Line moves you are not properly connected. Do not proceed until you have a proper connection.
- Fully tighten the (4) screws from Step 4.

Step 9 – Assemble dome

Note: Each dome section has a pin mounted in place in the rolled bottom edge. If necessary for proper alignment of dome sections, loosen each screw prior to further assembly and retighten after sections are aligned.



- With the large side facing up, slide a dome rib on to the same side of one dome section as the pin. Slide two dome sections together, allowing the exposed end of the pin slide into the rolled edge of the next dome section. Line up hole in dome with threaded hole in pin.
- Insert one Dome Screw and secure loosely.
- Repeat procedure to complete the assembly of all three sections.
- Slide Dome bolt through bottom check plate (with small center hump), being sure that the rolled edge faces down.
- Slide bolt from previous step through the center of the assembled dome sections, and be sure that the rolled edge of the check plate fits inside of the ends of the three Dome Ribs. Also be sure that the slots in the check plate line up with the holes on the dome sections.
- Slide the other check plate over the Center bolt with the rolled edge facing up, again making sure that the plate fits inside of the Ribs and the holes line up with those in the dome.
- Spin the medium nut all the way down the bolt, clamping all of the pieces in place, making sure that all of the humps fit inside one another.
- Fully tighten all of the screws in the rolled edge.
- Slide Dome Cap over Dome Bolt, lining up notches in cap with Dome Ribs. Thread on finial until tight.

**Contact 1-800-762-1142 for assistance.
Do not return to place of purchase.**

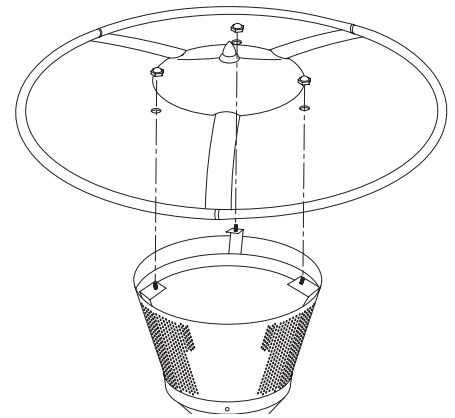
Endless Summer™ 

Step 8 – Attach Dome to Emitter

- Gently lay Heater on its side using one styrofoam end to prop up top half.
- Align holes in Dome with threaded studs in Emitter brackets.
- Secure Dome to Emitter using (3) Cap Nuts.
- Leave Heater on its side for next step.

Note:

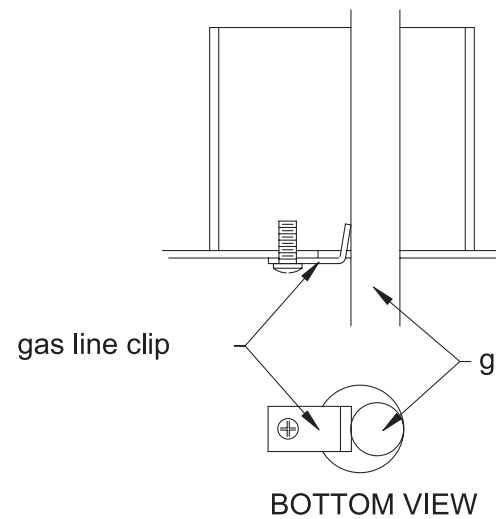
The white ceramic cone in the top of the engine is an important piece. DO NOT REMOVE.



Step 9 – Secure Gas Line

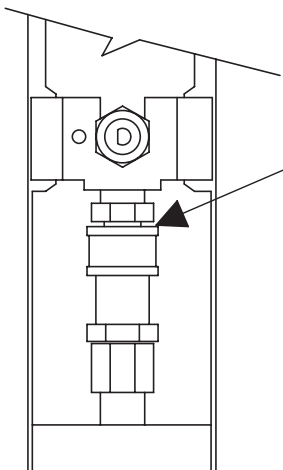
- Make sure angled side of Gas Clip pokes up through large hole in Platform.
- Tighten screw until Gas Line is held securely in place.
- Stand Heater upright.

At this point it is appropriate to permanently mount your heater to the surface where you wish to keep it. 3 Holes are provided in the base for mounting. The means of permanently mounting the heater is up to the installer, and so no hardware is provided for this procedure.



Caution:

Your Endless Summer™ Outdoor Heater has been checked at all factory connections for leaks. Recheck all connections, as movement in shipping can loosen connections. Check for leaks even if your unit was assembled for you at the store.

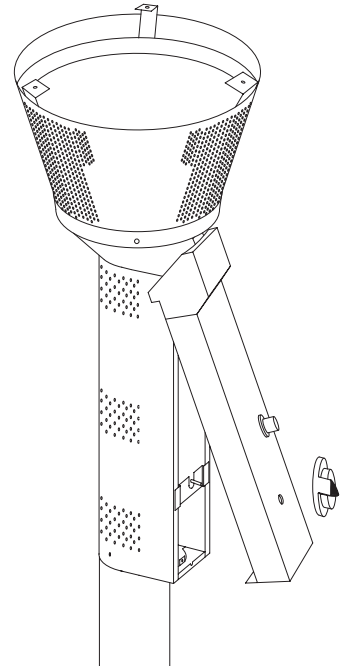


Step 10 – Check for Leaks

- Make 2-3 oz. of leak check solution by mixing one part liquid dishwashing soap and three parts water.
- Turn gas source ON.
- Check Gas Line and Control Valve for leaks:
- With the gas supply turned on, spoon several drops of solution onto Gas Line and Control Valve connections.
- Inspect the solution at the connections to look for bubbles.
- If NO bubbles appear, then the connection is secure.
- If bubbles appear, there is a leak -
 - Turn gas source OFF.
 - Loosen screw on Clip.
 - Release Gas Line fitting from control valve and re-attach making sure connection is secure (see Step 6).
 - Retighten Clip.
- If you continue to see bubbles after several attempts, contact 1-800-762-1142 for assistance.

Step 11 – Replace Engine Access Panel

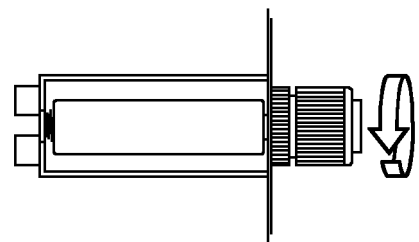
- Slide Igniter wire onto Igniter post.
- Slide tab at top of Access Panel into slot in Emitter bottom.
- Rotate Panel down until holes line up at bottom.
- Secure Access Panel in place with thumbscrew.
- Replace Control Knob.



Step 12 – Install Igniter Battery

- Remove battery cover cap by turning cap counterclockwise.
- Install (1) AA battery. Negative end of battery goes in first.
- Replace battery cover cap by turning cap clockwise.

Note: Once you have successfully completed assembly steps 1-12 you are ready to begin operating your heater.





WARNING

FOR YOUR SAFETY:

If at any time you are unable to light pilot and smell gas, wait 5 minutes to allow gas to dissipate before attempting to light heater.

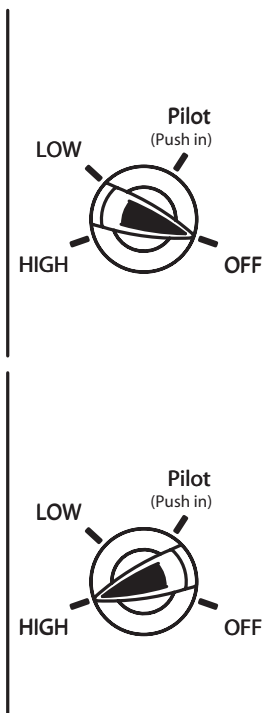
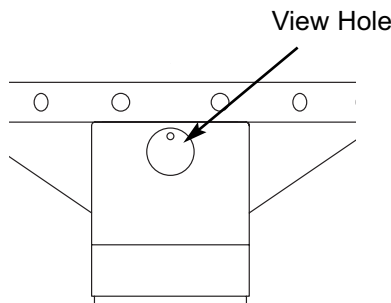


WARNING

FOR YOUR SAFETY:

Do NOT touch or move heater for at least 45 minutes after use.

Allow all burner elements to cool before touching.



Operation

Caution: *Do NOT attempt to operate heater until you have read and understand all precautions in section 1 "Safety First."*

Before Turning Gas Supply ON

- Your heater was designed and approved for outdoor use only. Do NOT use it inside a building, garage, or any other enclosed area.
- Make sure surrounding areas are free of combustible materials, gasoline, and other flammable vapors or liquids.
- Ensure that there is no obstruction to air ventilation.
- Be sure all gas connections are tight and there are no leaks.
- Be sure the cylinder cover is clear of debris.
- Be sure any component removed during assembly or servicing are replaced and fastened prior to starting.

Before Lighting

- Heater should be thoroughly inspected before each use, and by a qualified service person at least annually.
- If relighting a hot heater, always wait at least 5 minutes.

Lighting

Note: This heater is equipped with a Pilot Light that allows for safer startups and shutdowns. Pilot must be lit before Main Burner can be started.

- Push Control Knob IN and turn to OFF.
- Wait 5 minutes for any gas to clear.
- Open Viewing Hole by sliding cover to either side.
- Push Control Knob IN and rotate to Pilot position.

Note: For initial start or after re-connecting gas source, hold Control Knob IN for 2 minutes to purge air from gas lines before proceeding.

- Push Igniter button once. Pilot Light flame will appear and be visible through Viewing Hole.
- Release Control Knob after 30 seconds. Pilot Light will remain lit. If not, return to first bullet point.
- Turn Control Knob to ON. Main Burner will light immediately. Flame is visible through Viewing Hole. If not, return to first bullet point.

If you experience any ignition problem consult "Troubleshooting" on page 16.

**Contact 1-800-762-1142 for assistance.
Do not return to place of purchase.**

Endless Summer 

Caution: *Avoid inhaling fumes emitted from the heater's first use. Smoke and odor from the burning of oils used in manufacturing will appear. Both smoke and odor will dissipate after approximately 30 minutes. The heater should NOT produce thick black smoke.*

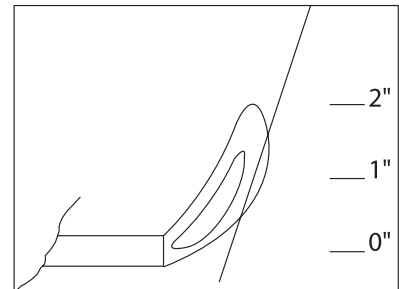
Note: It is normal for the heater to make a hissing sound at start-up. This will decrease as the heater warms up.

When heater is ON:

Emitter screen will become bright red due to intense heat. The color is more visible at night.

Burner will display tongues of blue and yellow flame. These flames should not be yellow or produce thick black smoke, indicating an obstruction of airflow through the burners. The flame should be blue with straight yellow tops.

If excessive yellow flame is detected, turn off heater and consult "Troubleshooting" on page 16.



Re-lighting

Note: For your safety, Control Knob cannot be turned OFF without first depressing Control Knob in PILOT position and then rotating it to OFF.

Turn Control Knob to OFF.

Wait at least 5 minutes, to let gas dissipate, before attempting to relight Pilot.

Repeat the "Lighting" steps on prior page.

Shut Down

Turn Control Knob clockwise to Pilot. (Normally, burner will make a slight popping sound when extinguished.) Burner will extinguish but Pilot will remain ON.

To extinguish Pilot, depress Control Knob and continue to turn it clockwise to OFF.

Turn In-line Valve clockwise to OFF when heater is not in use.

Note: After use, some discoloration of the emitter screen is normal.



WARNING

FOR YOUR SAFETY:

Heater will be hot after use. Handle with extreme care.

Operation Checklist

For a safe and pleasurable heating experience, perform this check before each use.

Before Operating

- I am familiar with entire owner's manual and understand all precautions noted in "Safety First."
- All components are properly assembled, intact and operable.
- No alterations have been made.
- All gas connections are secure and do not leak.
- Wind velocity is below 10 mph.
- Outdoor temperature is greater than 40 degrees F.
- Heater is outdoors (outside any enclosure).
- There is adequate fresh air ventilation.
- Heater is away from gasoline or other flammable liquids or vapors.
- Heater is away from windows, air intake openings, sprinklers and other water sources.
- Heater is at least 36" from combustible materials.
- Heater is on a hard and level surface.
- There are no signs of spider or insect nests.
- All burner passages are clear.
- All air circulation passages are clear.
- Children, pets, clothing, flammable materials and items that can be damaged from radiant heat are away from the heater.
- Children and adults in the area have been alerted to the high temperature hazards: especially burns and clothing fires.
- Children and adults in the area have been warned not to touch heater near engine during operation and until unit has cooled.

After Operation

- Gas control is in OFF position.
- Gas Tank valve is OFF.
- Heater is upright in a secure location.

**Contact 1-800-762-1142 for assistance.
Do not return to place of purchase.**



Troubleshooting

<u>If the problem is:</u>	<u>And this condition exists:</u>	<u>Then do this</u>
Pilot won't light <i>Note: Heater operates at reduced efficiency below 40°F (5°C)</i>	Gas turned off at source	Open valve
	Blockage in orifice or pilot tube	Clean or replace orifice or pilot tube
	Air in gas line	Open gas line and bleed it (pressing control knob in) for not more than 1 - 2 minutes or until you smell gas
	Igniter fails	Obtain new igniter and replace
Pilot won't stay lit	Dirt built up around pilot	Clean dirt from around pilot
	Connection between gas valve and pilot assembly is loose	Tighten connection and perform leak check
	Thermocouple is not operating correctly	Replace thermocouple
Burner won't light	Gas pressure is low	Have a professional check gas system
	Blockage in orifice	Clear blockage
	Control knob is not in ON position	Turn control knob to ON
Burner flame is low	Gas pressure is low	Have a professional check gas system
	Supply hose is bent or kinked	Straighten hose
	Control knob fully ON	Check burner and orifices for blockage
Emitter glows uneven <i>Note: Bottom 1" of emitter normally does NOT glow.</i>	Gas pressure is low	Have a professional check gas system
	Base is not on a level surface	Place heater on a level surface
	Heater is level	Clean burner
Carbon build-up	Dirt or film on reflector and emitter	Clean reflector and emitter
Thick black smoke	Blockage in burner	Remove blockage and clean burner inside and outside



WARNING:

FOR YOUR SAFETY:

- **Do NOT touch or move heater for at least 45 minutes after use.**
- **Dome is hot to the touch.**
- **Allow dome to cool before touching.**

Maintenance

To enjoy years of outstanding performance from your heater, make sure you perform the following maintenance activities on a regular basis:

Keep exterior surfaces clean.

Use warm soapy water for cleaning. Never use flammable or corrosive cleaning agents.

While cleaning your unit, be sure to keep the area around the burner and pilot assembly dry at all times. Do not submerge the control valve assembly. If the gas control is submerged in water, do NOT use it. It must be replaced.

Air flow must be unobstructed. Keep controls, burner, and circulating air passageways clean. Signs of possible blockage include:

Gas odor with extreme yellow tipping of flame.

Heater does NOT reach the desired temperature.

Heater glow is excessively uneven.

Heater makes popping noises.

Spiders and insects can nest in burner or orifices. This dangerous condition can damage heater and render it unsafe for use. Clean burner holes by using a heavy-duty pipe cleaner. Compressed air may help clear away smaller particles.

Carbon deposits may create a fire hazard. Clean dome and emitter with warm soapy water if any carbon deposits develop.

Note: In a salt-air environment (such as near an ocean), corrosion occurs more quickly than normal. Frequently check for corroded areas and repair them promptly.

TIP:

Use high-quality automobile wax to help maintain the appearance of your heater. Apply to exterior surfaces from the pole down. Do not apply to emitter screen or domes.

**Contact 1-800-762-1142 for assistance.
Do not return to place of purchase.**

Endless Summer 

Storage

Between uses:

Turn Control Knob OFF.

Disconnect LP source.

Store heater upright in an area sheltered from direct contact with inclement weather (such as rain, sleet, hail, snow, dust and debris).

If desired, cover heater to protect exterior surfaces and to help prevent build up in air passages.

Note: Wait until heater is cool before covering.

During periods of extended inactivity or when transporting:

Turn Control Knob OFF.

Disconnect LP source and move to a secure, well-ventilated location outdoors.

Store heater upright in an area sheltered from direct contact with inclement weather (such as rain, sleet, hail, snow, dust and debris).

If desired, cover heater to protect exterior surfaces and to help prevent build up in air passages.

Never leave LP cannister exposed to direct sunlight or excessive heat.

Note: Wait until heater is cool before covering.

Service

To learn how to service and procure parts for worn out, defective or damaged components contact 1-800-762-1142 for assistance or e-mail CustomerService@BlueRhino.com. Please supply model number and serial ID number for best service support. These numbers can be found on a label on the rear of the Valve Housing.

Caution: Use only original equipment replacement parts. Use of unauthorized parts or modification of parts will void warranty and create an unsafe condition.

Caution: Always allow heater to cool before attempting service.

Warranty

Warranty Period

Heater's warranty extends for 2 years from date of purchase by original purchaser.

Warranty Terms

Manufactured by Blue Rhino Global Sourcing, 104 Cambridge Plaza Drive, Winston-Salem, NC 27104 USA. 1-800-762-1142.

Manufacturer will cover: All parts found to be defective due to materials or workmanship for 2 years from the date of original purchase.

Proof of purchase is required before warranty performance will be rendered. Sales receipt and validation of product registration are valid forms of proof of purchase.

Manufacturer will repair or replace parts returned prepaid freight in the U.S.A. at its sole discretion.

There are no other express or implied warranties.

Warranty Exclusion

Manufacturer will NOT cover:

Assembly or start-up

Normal adjustment to burner

Cleaning and/or general maintenance

Shipping damage

Any misuse which will be determined at the sole discretion of manufacturer

Damage or repairs due to service by an unauthorized agency or the use of unauthorized parts

Improper assembly, such as: improper hook-up, etc.

Damage or repairs related to spider or insect nesting

Damage due to weather conditions

Warranty Procedures

For service or replacement parts, please call 1-800-762-1142 for return authorization and further instructions.

All returns must be sent via prepaid freight.

Legal Rights

No one else is authorized to make any warranties on behalf of manufacturer.

THIS WARRANTY IS IN LIEU OF ANY OTHER WARRANTY, EXPRESS OR IMPLIED, ORAL OR WRITTEN, INCLUDING, BUT NOT LIMITED TO, ANY WARRANTY OF MERCHANTABILITY OR FITNESS FOR A PARTICULAR PURPOSE.

BLUE RHINO GLOBAL SOURCING SHALL NOT BE LIABLE FOR ANY INCIDENTAL OR CONSEQUENTIAL DAMAGES RESULTING FROM ANY DEFECTIVE PRODUCT, INCLUDING, BUT NOT LIMITED TO, LOST REVENUE OR PROFITS, BUSINESS INTERRUPTION, OR ANY LEGAL THEORY UPON WHICH ANY CLAIM MAY BE BASED.

PURCHASER ASSUMES ALL RISK IN THE ASSEMBLY AND OPERATION OF THIS UNIT. FAILURE TO FOLLOW THIS MANUAL'S WARNINGS AND INSTRUCTIONS CAN RESULT IN SEVERE PERSONAL INJURY, DEATH OR PROPERTY DAMAGE.

Some states do not allow limitations on how long an implied warranty lasts, or the exclusion or limitation relevant to incidental or consequential damages.

This warranty gives you specific legal rights. You may also have other legal rights which vary from state to state.

Since product improvement is an ongoing process at the manufacturer, we reserve the right to change this product's specifications or design without notice.

**Contact 1-800-762-1142 for assistance.
Do not return to place of purchase.**

Endless Summer 

Specifications

Certifications:

CSA International Requirement 5.90
Canadian National Standard CAN1-2.23-M82

Rating:

40,000 BTU/hr. input at 7.0" W.C.

Heat Range:

Up to 20 foot diameter

Fuel:

Natural Gas

Inlet gas supply pressure:

Maximum – 10.5" W.C.
Minimum – 7.0" W.C.

Manifold Pressure:

11.00 in. W.C.

Engine:

IPP E3

Safety Features:

100% Burner shut-off

Manufacturer:

Blue Rhino Global Sourcing

Made In:

China

Blue Rhino Global Sourcing
A wholly owned subsidiary of Blue Rhino Corporation (NASDAQ-RINO)
104 Cambridge Plaza Drive, Winston-Salem, NC 27104 USA
1.800.762.1142, www.bluerhino.com

© 2003 CPD Associates, All Rights Reserved
Made in China

Blue Rhino Global Sourcing
Empresa filial y enteramente propiedad de Blue Rhino Corporation
(NASDAQ-RINO)
104 Cambridge Plaza Drive, Winston-Salem, NC 27104 USA
1.800.762.1142, www.bluerhino.com

© 2003 CPD Associates, Todos los Derechos Reservados
Fabricado en China