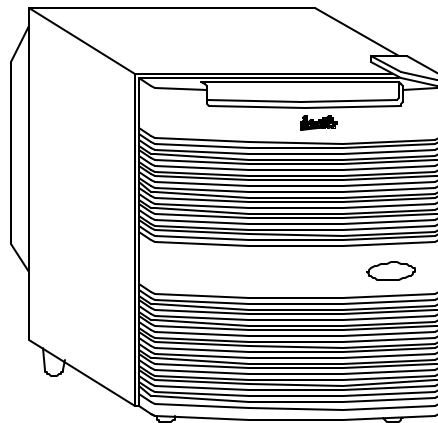




**INSTRUCTION MANUAL  
MANUAL DE INSTRUCCIONES**

**Model Number/ No. de Modelo: EC15W-2**

**THERMOELECTRIC REFRIGERATOR  
REFRIGERADOR TERMOELECTRICO**



**BEFORE USE, PLEASE READ AND FOLLOW ALL SAFETY RULES AND OPERATING INSTRUCTIONS.**

La sección en español empieza en la página 15.

Avanti has a policy of continuous improvement on its products and reserves the right to change materials and specifications without notice.

---

**Avanti Products, A Division of the Mackle Co., Inc.  
P.O. Box 520604- Miami, Florida 33152  
[www.avantiproducts.com](http://www.avantiproducts.com)**

---

## REGISTRATION INFORMATION

Thank you for purchasing this fine Avanti product. Please fill out this card and return it within 100 days of purchase and receive these important benefits to the following address:

**Avanti Products, A Division of The Mackle Co., Inc.**  
**P.O. Box 520604- Miami, Florida 33152 USA**

✂ **Protect your product:**

We will keep the model number and date of purchase of your new Avanti product on file to help you refer to this information in the event of an insurance claim such as fire or theft.

✂ **Promote better products:**

We value your input. Your responses will help us develop products designed to best meet your future needs.

------(detach here)-----

### Avanti Registration Card

Name	Model #	Serial #
Address	Date Purchased	Store/Dealer Name
City	State	Zip
Area Code	Occupation	
<b>As Your Primary Residence, Do You:</b>		
<input type="checkbox"/> Own <input type="checkbox"/> Rent		
<b><u>Did You Purchase An Additional Warranty:</u></b>		
<input type="checkbox"/> Extended <input type="checkbox"/> Food Loss <input type="checkbox"/> None		
<b><u>Reason For Choosing This Avanti Product:</u></b>		
Please indicate the most important factors that influenced your decision to purchase this product.		
<input type="checkbox"/> Price		
<input type="checkbox"/> Product Features		
<input type="checkbox"/> Avanti Reputation		
<input type="checkbox"/> Product Quality		
<input type="checkbox"/> Salesperson Recommendation		
<input type="checkbox"/> Friend/Relative Recommendation		
<input type="checkbox"/> Warranty		
<input type="checkbox"/> Other _____		
<b><u>Your Age:</u></b>		
<input type="checkbox"/> under 18 <input type="checkbox"/> 18-25 <input type="checkbox"/> 26-30		
<input type="checkbox"/> 31-35 <input type="checkbox"/> 36-50 <input type="checkbox"/> over 50		
<b><u>Marital Status:</u></b>		
<input type="checkbox"/> Married <input type="checkbox"/> Single		
<b><u>Is This Product Used In The:</u></b>		
<input type="checkbox"/> Home <input type="checkbox"/> Business		
<b><u>How Did You Learn About This Product:</u></b>		
<input type="checkbox"/> Advertising		
<input type="checkbox"/> In Store Demo <input type="checkbox"/> Personal Demo		
<input type="checkbox"/> Other _____		
Comments _____		
_____		
_____		



---

## HELP US HELP YOU...

### Read this guide carefully.

It is intended to help you operate and maintain your new refrigerator properly.

Keep it handy to answer your questions. If you don't understand something or you need more assistance, please call:

**Avanti Customer Service  
800-220-5570**

Keep proof of original purchase date (such as your sales slip) with this guide to establish the warranty period.

### **CAUTION:**

**THIS REFRIGERATOR IS NOT DESIGNED FOR THE STORAGE OF MEDICINE OR OTHER MEDICAL PRODUCTS.**

### Write down the model and serial numbers.

You'll find them on a plate located on the rear outside wall of the refrigerator.

Please write these numbers here:

\_\_\_\_\_

Date of Purchase

\_\_\_\_\_

Model Number

\_\_\_\_\_

Serial Number

Use these numbers in any correspondence or service calls concerning your refrigerator.

If you received a damaged refrigerator, immediately contact the dealer (or builder) that sold you the refrigerator.

Save time and money. Before you call for service, check the Troubleshooting Guide. It lists causes of minor operating problems that you can correct yourself.

---

## IF YOU NEED SERVICE

We're proud of our service and want you to be pleased. If for some reason you are not happy with the service you receive, here are some steps to follow for further assistance.

FIRST, contact the people who serviced your refrigerator. Explain why you are not pleased. In most cases, this will solve the problem.

NEXT, if you are still not pleased, write all the details, including your telephone number, and send it to:

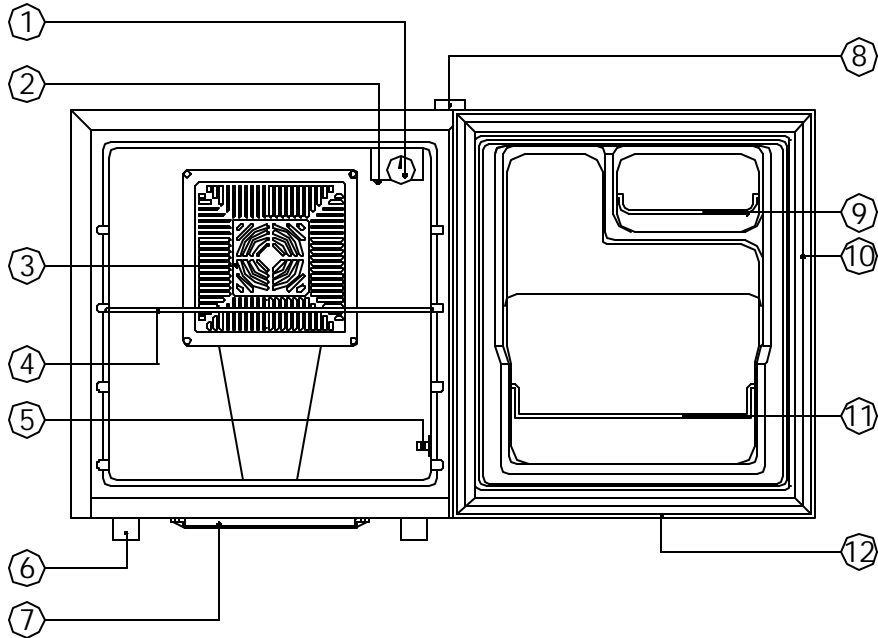
**Customer Service  
Avanti Products  
10880 NW 30 Street  
Miami, FL 33172 USA**

## TABLE OF CONTENTS

### Registration Information

_____	Error! Bookmark not defined.
<b>Help Us Help You ...</b> _____	<b>4</b>
<b>Parts &amp; Features</b> _____	<b>6</b>
<b>Important Safety Instructions</b> _____	<b>7</b>
<b>Installation Instructions</b> _____	<b>7</b>
<b>Before Using Your Refrigerator</b> _____	<b>7</b>
<b>Installing Your Refrigerator</b> _____	<b>7</b>
<b>Electrical Connection</b> _____	<b>8</b>
<b>Reversing The Door Swing Of Your Appliance</b> _____	<b>8</b>
<b>Operating Your Refrigerator</b> _____	<b>8</b>
<b>Temperature Control</b> _____	<b>8</b>
<b>Setting The Temperature Control</b> _____	<b>8</b>
<b>Interior Light</b> _____	<b>9</b>
<b>Care And Maintenance</b> _____	<b>9</b>
<b>Defrosting Your Refrigerator</b> _____	<b>9</b>
<b>Cleaning Your Refrigerator</b> _____	<b>9</b>
<b>Cleaning The Heat Sink Air Filter</b> _____	<b>9</b>
<b>Power Failure</b> _____	<b>9</b>
<b>Vacation Time</b> _____	<b>10</b>
<b>Moving Your Refrigerator</b> _____	<b>10</b>
<b>Energy Saving Tips</b> _____	<b>10</b>
<b>Troubleshooting Guide</b> _____	<b>10</b>
<b>Service For Your Refrigerator</b> _____	<b>11</b>
<b>Your Avanti Products Warranty</b> _____	<b>12</b>
<b>Wiring Diagram</b> _____	<b>13</b>
<b>INSTRUCCIONES EN ESPAÑOL</b> _____	<b>14~15</b>

## PARTS & FEATURES



1. Temperature Control Knob
2. Light
3. Cold Sink Fan Cover
4. Shelf
5. Light Switch
6. Legs

7. Water Drip Tray (Toward Back of Unit)
8. Upper Hinge Cover
9. Small Bottle Rack
10. Door Gasket
11. Large Bottle Rack
12. Door

## IMPORTANT SAFETY INSTRUCTIONS



### WARNING

To reduce the risk of fire, electrical shock, or injury when using your refrigerator, follow these basic precautions:

- ? Read all instructions before using the refrigerator.
- ? **DANGER or WARNING:** Risk of child entrapment. Child entrapment and suffocation are not problems of the past. Junked or abandoned appliances are still dangerous . . . even if they will “just sit in the garage a few days”.
- ? **Before you throw away your old refrigerator:** Take off the door. Leave the shelf in place so that children may not easily climb inside.
- ? Never allow children to operate, play with, or crawl inside the refrigerator.
- ? Never clean refrigerator parts with flammable fluids. The fumes can create a fire hazard or explosion.
- ? Do not store or use gasoline or any other flammable vapors and liquids in the vicinity of this or any other refrigerator. The fumes can create a fire hazard or explosion.
- ? Do not repair or replace any part of the refrigerator or attempt any servicing unless specifically recommended in the user-maintenance instructions or in published user-repair instructions. Replace the fuse with the same type.

-Save these instructions-

## INSTALLATION INSTRUCTIONS

### Before Using Your Refrigerator

- ? Remove the exterior and interior packing.
- ? Check to be sure you have all of the following parts:
  - ? 1 Shelf
  - ? 1 Instruction manual
- ? Clean the interior surface with lukewarm water using a soft cloth.

### Installing Your Refrigerator

- ? This appliance is designed to be free standing only, and should not be recessed or built-in (Fully recessed).
- ? Place your refrigerator on a floor that is strong enough to support the refrigerator when it is fully loaded.
- ? Allow 5 inches of space between the back of the refrigerator and 2 inches of space between the sides of the refrigerator, which allows the proper air circulation to cool the heat sink.
- ? Locate the refrigerator away from direct sunlight and sources of heat (stove, heater, radiator, etc.). Direct sunlight may affect the acrylic coating and heat sources may increase electrical consumption. Extreme cold ambient temperatures may also cause the refrigerator not to perform properly.
- ? This refrigerator uses electronic refrigeration technology (no compressor) and is not designed for storage in hot areas like garages, warehouses or outdoors since it is designed to operate at a maximum of 30 degrees below the ambient temperature.
- ? Avoid locating the refrigerator in moist areas.
- ? Plug the refrigerator into an exclusive, properly installed-grounded wall outlet. Do not under any circumstances cut or remove the third (ground) prong from the power cord. Any questions concerning power and/or grounding should be directed toward a certified electrician or an authorized Avanti Products service center.
- ? After plugging the appliance into a wall outlet, allow the unit to cool down for 2-3 hours before placing food in the refrigerator compartment.

### Electrical Connection

#### **Warning**

Improper use of the grounded plug can result in the risk of electrical shock. If the power cord is damaged, have it replaced by an authorized Avanti Products service center.

This refrigerator should be properly grounded for your safety. The power cord of this refrigerator is equipped with a three-prong plug which mates with standard three prong wall outlets to minimize the possibility of electrical shock.

Do not under any circumstances cut or remove the third ground prong from the power cord supplied.

This refrigerator requires a standard 115/120 Volt A.C. ~/60Hz electrical outlet with three-prong ground.

The cord should be secured behind the refrigerator and not left exposed or dangling to prevent accidental injury.

Never unplug the refrigerator by pulling the power cord. Always grip the plug firmly and pull straight out from the receptacle.

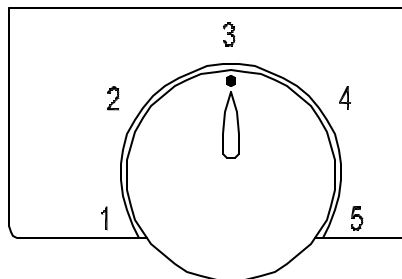
Do not use an extension cord with this appliance. If the power cord is too short, have a qualified electrician or service technician install an outlet near the appliance.

### Reversing the Door Swing of Your Appliance

This refrigerator has the capability of the door opening from either the left or right side. The unit is delivered to you with the door opening from the left side. Should you desire to reverse the opening direction, please call customer service for reversal instructions.

## OPERATING YOUR REFRIGERATOR

### Temperature Control



### Setting the Temperature Control

- ? Your refrigerator has only one control for regulating the temperature. The temperature control is located on the upper right hand corner of the compartment.
- ? To control the internal temperature, adjust the control knob according to the ambient temperature or purpose of use.
- ? The first time you turn the unit on, set the temperature control to "5".
- ? The range of the temperature control is from position "1" to "5". After 2 hours, adjust the temperature control to the setting that best suites your needs. The setting of "3" should be appropriate for home or office refrigerator use.



### ✍ Interior Light

This refrigerator is provided with a LED light located on the upper right hand corner of the compartment. The light will be on when the door is opened and be off when the door is closed.

## CARE AND MAINTENANCE

### ✍ Defrosting Your Refrigerator

This model is thermoelectric cooling system with automatic defrosting system and no need to defrost manually.

### ✍ Cleaning Your Refrigerator

- ? **UNPLUG** the refrigerator, and remove the food and shelf.
- ? Wash the inside surfaces with a warm water and baking soda solution. The solution should be about 2 tablespoons of baking soda to a quart of water.
- ? Wash the shelf with a mild detergent solution.
- ? The outside of the refrigerator should be cleaned with mild detergent and warm water.
- ? Wring excess water out of the sponge or cloth before cleaning the area of the controls, or any electrical parts.
- ? Wash the outside cabinet with warm water and mild liquid detergent. Rinse well and wipe dry with a clean soft cloth.

### **CAUTION**

**Failure to unplug the refrigerator could result in electrical shock or personal injury.**

### ✍ Cleaning the Heat Sink Air Filter

If the air filter becomes clogged with dust, airflow is obstructed and reduces cooling effect. The air filter should be cleaned once every two months. More frequent cleaning may be necessary depending on indoor air quality.

*The air filter is located under the air intake of back grille.*

*To remove the air filter, grasp the filter sides and slide the air filter out. (See Fig. 1)*

*To replace the air filter, reverse the above procedure.*

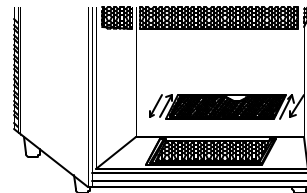


Fig. 1

Remove dust clogged in the filter by tapping it or vacuum clean it.

Wash the filter well with lukewarm water below 40°C (104°F) while rubbing lightly. For better results, wash it with soapy water or a neutral cleaning agent. Rinse the filter well using clean water, then dry completely.

**CAUTION:** DO NOT operate the refrigerator without a filter because dirt and lint will clog it and reduce performance.

### ✍ Power Failure

Most power failures are corrected within a few hours and should not affect the temperature of your refrigerator if you minimize the number of times the door is opened. If the power is going to be off for a longer period of time, you need to take the proper steps to protect your food.

### ✍ Vacation Time

- ? **Short vacations:** Leave the refrigerator operating during vacations of less than three weeks.
- ? **Long vacations:** If the appliance will not be used for several months, remove all food and unplug the power cord. Clean and dry the interior thoroughly. To prevent odor and mold growth, leave the door open slightly: blocking it open if necessary.

✍ **Moving Your Refrigerator**

- ? Remove all the food.
- ? Securely tape down all loose items inside your refrigerator.
- ? Tape the door shut.
- ? Protect the outside of refrigerator with a blanket, or similar item.

✍ **Energy Saving Tips**

- ? The refrigerator should be located in the coolest area of the room, away from heat producing appliances, and out of the direct sunlight.
- ? Overloading the refrigerator forces the thermoelectric cooling system to run longer.
- ? Reduce door openings and extended searches, remove as many items as needed at one time, and close the door as soon as possible.
- ? One characteristic of thermoelectric units is the length of time it requires to recover from having the door opened and shut frequently. It may be necessary to wait longer for the temperature to return to its former level once the door has been opened for too long. This is normal for the type of unit. Thermoelectric technology costs just pennies to operate.
- ? It is environmentally friendly due to the lack of CFC's.

## PROBLEMS WITH YOUR REFRIGERATOR?

You can solve many common refrigerator problems easily, saving you the cost of a possible service call. Try the suggestions below to see if you can solve the problem before calling the servicer.

### TROUBLESHOOTING GUIDE

PROBLEM	POSSIBLE CAUSE
Refrigerator does not operate.	Not plugged in. The circuit breaker tripped or a blown fuse.
Refrigerator is not cold enough.	The room temperature is hotter than normal. The door is opened too often. The door is not closed completely. The temperature control is not set correctly. The door gasket does not seal properly. The refrigerator does not have the correct clearances. Abnormal voltage.
The light does not work.	Not plugged in. The circuit breaker tripped or a blown fuse. The LED light has burned out.
Vibrations.	Check to assure that the refrigerator is level.
The door will not close properly.	The refrigerator is not level. The door was reversed and not properly installed. The gasket is dirty. The shelves, bins, or baskets are out of position.

## SERVICE FOR YOUR REFRIGERATOR

We are proud of our customer service organization and the network of professional service technicians that provide service on your Avanti refrigerators. With the purchase of your Avanti refrigerator, you can be confident that if you ever need additional information or assistance, the Avanti Products Customer Service team will be here for you. Just call us toll-free.

### AVANTI PRODUCTS CUSTOMER SERVICES

Product Information 800-323-5029	Whatever your questions are about our products, help is available.
Part Orders 800-220-5570	You may order parts and accessories that will be delivered directly to your home, by personal check, money order, Master Card, or Visa.
In-Home Repair Service 800-220-5570	An Avanti Products authorized service center will provide expert repair service, scheduled at a time that is convenient for you. Our trained servicers know your refrigerator inside and out.

**YOUR Avanti Products WARRANTY**

Staple your sales receipt here. Proof of original purchase date is needed to obtain service under warranty.

**WHAT IS COVERED**  
**LIMITED ONE-YEAR**  
**WARRANTY**

For one year from the date of purchase by the original owner, Avanti Products will, at its option, repair or replace any part of the refrigerator, which proves to be defective in material or workmanship under normal use. During this period Avanti Products will provide all parts and labor necessary to correct such defects free of charge, so long as the refrigerator has been installed and operated in accordance with the written instructions in this manual. In rental or commercial use, the warranty period is 90 days. All Avanti Appliances of 3.5 cubic feet capacity or less must be brought/sent to the appliance service shop for repair.

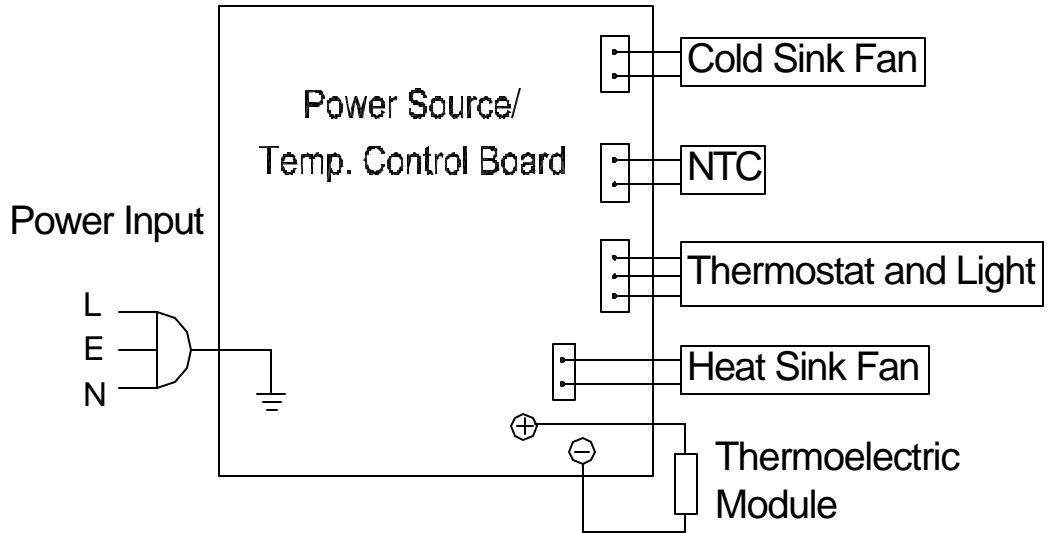
**LIMITED SECOND THROUGH**  
**FIFTH YEAR WARRANTY**

---

**WHAT IS NOT COVERED**

- ? Content losses of food due to spoilage.
- ? Incidental or consequential damages.
- ? Parts and labor costs for the following will not be considered as warranty:
  - ? Evaporator doors, door springs, and/or frames.
  - ? Inner door panels, door shelves, door rails, and/or door supports.
  - ? Light and/or plastic housing.
  - ? Plastic cabinet liners.
  - ? Punctured evaporator that voids the warranty on the complete sealed system.
- ? Repairs performed by unauthorized servicers.
- ? Service calls that do not involve defects in material or workmanship such as customer education, door reversal, or proper installation.
- ? Service calls that are related to external problems, such as abuse, misuse, inadequate electrical power, accidents, fire, floods, or acts of God.
- ? Replacement of house fuses or resetting circuit breakers.
- ? Failure of the product if it is used for other than its intended purpose.
- ? This warranty does not apply outside the Continental USA.

# WIRING DIAGRAM



## **INSTRUCCIONES EN ESPAÑOL**

### **INSTALACION**

Retire los accesorios de empaque (plásticos protectores, cartón y tiras engomadas). Limpie el exterior con un trapo suave y seco, y el interior con un trapo húmedo y tibio.

### **UBICACION**

1. Seleccione un lugar con un piso firme y nivelado.
2. Su refrigerador requiere ventilación. Deje un espacio mínimo de 5" hacia arriba y espacio suficiente en el respaldo para permitir la circulación de aire.
3. Las bodegas termoeléctricas necesitan cierto tiempo de recuperación cuando la puerta se abre y se deja abierta por mucho tiempo. Esto es normal para este tipo de unidad.
4. Evite luz directa del sol o calor. La luz directa del sol puede afectar la capa de pintura. Las fuentes de calor en su proximidad causarán un consumo mayor de electricidad.
5. Para un mejor desempeño, nivele el refrigerador utilizando las patas ajustables o tornillos niveladores. Para verificar el nivel, abra la puerta hasta la mitad, debe regresar sola.

### **INSTRUCCIONES PARA LA CONECCION A TIERRA**

Este aparato electrodoméstico debe estar conectado a tierra. En caso de un cortocircuito eléctrico, la conexión a tierra reduce el riesgo de choque eléctrico proporcionando un cable de escape para la corriente eléctrica. Este aparato viene equipado con un cordón que posee un cable a tierra con un enchufe de conexión a tierra. Este enchufe debe estar conectado en un tomacorriente instalado correctamente y conectado a tierra.

### **ADVERTENCIA**

El uso inadecuado del enchufe de conexión a tierra puede resultar en un riesgo de choque eléctrico. Consulte con un electricista si no comprende bien las instrucciones de conexión a tierra o si existe alguna duda sobre si el aparato está conectado a tierra correctamente.

### **NO USE UN CORDON DE EXTENSION ELECTRICA**

Use un tomacorriente de pared exclusivo. No conecte su refrigerador a cordones de prolongación eléctrica o junto a cualquier otro electrodoméstico en el mismo tomacorriente de pared.

### **ADVERTENCIA IMPORTANTE:**

Un refrigerador vacío es una atracción muy peligrosa para los niños. Quite los sellos magnéticos, puertas o cerraduras de todo electrodoméstico que esté en uso.

### **OPERACION**

Enchufe el cable a la toma de corriente, que debe ser 115-120v A/C, 10 AMP ó más. Para evitar vibraciones, la caja debe estar bien nivelada. Para encender el refrigerador, gire el control de temperatura a la posición "5". Después de 2 horas, gire la perilla a la posición deseada. Se recomienda la posición "3" bajo condiciones normales.

### COMO DESCONGELAR

Coloque el dial del termostato on "OFF" (apagado) o "DEF" (deshielo). El descongelado generalmente tarda pocas horas. Para descongelar rápido vacíe el refrigerador y deje la puerta abierta. **Nunca use un cuchillo u otro instrumento metálico para rascar el hielo o la escarcha del congelador.** Luego de descongelar, vacíe el agua de la bandeja de goteo y vuelva a colocar el dial del termostato en la posición deseada.

### CUIDADOS EN LOS PERIODOS DE AUSENCIA

- ? Para cortos períodos de ausencia (menos de 21 días) el congelador podrá quedar funcionando. Coloque el botón de control de temperaturas en la posición mínima.
- ? En períodos de ausencia más largos, se aconseja dejar el refrigerador limpio y desconectado.
- ? Saque todo lo que tenga adentro del refrigerador y haga el deshielo y la limpieza general. También retire las cubeteras, limpie bien y séquelas internamente.
- ? Deje la puerta entreabierta para que penetre el aire y así evitar la formación de olores.

### ECONOMIA DE ENERGIA

- ? Evite dejar por mucho tiempo la puerta abierta.
- ? Evite aperturas frecuentes de la puerta.
- ? Nunca coloque alimentos calientes dentro del refrigerador. Espere que estén a una temperatura ambiental.
- ? Coloque el botón de control de temperaturas en la posición adecuada.

### SI USTED SE VA DE VACACIONES

- ? Saque todos los artículos del refrigerador-congelador si Ud. se va de vacaciones por un mes o más.
- ? Desconecte el refrigerador del tomacorriente y limpie el refrigerador bien.
- ? Deje la puerta abierta para evitar la formación de olores, condensación o moho.

### SI USTED SE MUDA

- ? Desconecte el refrigerador del tomacorriente y limpie el refrigerador bien, incluyendo la bandeja del congelador.
- ? Saque todas las partes movibles y empaquételas para que no se muevan durante la transportación.
- ? Cierre la puerta del refrigerador y séllela con cinta adhesiva.
- ? Asegúrese que el refrigerador va parado durante el viaje y cúbralo con una frazada.

### COMO CAMBIAR LA DIRECCION DE APERTURA DE LA PUERTA

EN CASO DE QUE NECESITE CAMBIAR EL LADO DE APERTURA DE LA PUERTA, POR FAVOR CONSULTE AL SERVICIO POSVENTA DE SU LOCALIDAD O AL EMPLEADO QUE LE VENDIO LA UNIDAD.

PRINTED IN CHINA