



**FWV160 wine cooling drawer**  
**Manual for Installation, Use and Maintenance**

**|C|D|A|**

## Important

The CDA Group Ltd cannot be held responsible for injuries or losses caused by incorrect use or installation of this product. Please note that CDA reserve the right to invalidate the guarantee supplied with this product following incorrect installation or misuse of the appliance or use in a commercial environment.

This appliance is not designed to be used by people (including children) with reduced physical, sensorial or mental capacity, or who lack experience or knowledge about it, unless they have had supervision or instructions on how to use the appliance by someone who is responsible for their safety.

Under no circumstances should any external covers be removed for servicing or maintenance except by suitably qualified personnel.

Do not use the appliance if the plug, the mains cord or the appliance itself is damaged. If the mains cord is damaged, you must have it replaced by the manufacturer, or an authorised service centre or similarly qualified persons in order to avoid a hazard.

Children should be supervised to ensure that they do not play with the appliance. Keep the mains cord out of the reach of children. Do not let the mains cord hang over the edge of the table or worktop on which the appliance stands.

### Appliance information:

Please enter the details on the appliance rating plate below for reference, to assist CDA Customer Care in the event of a fault with your appliance and to register your appliance for guarantee purposes.

Appliance Model

Serial Number


### CE Declarations of Conformity:

This appliance has been designed, constructed and marketed in compliance with safety requirements of EEC Directive 2006/95/EEC (Low voltage) and requirements of EMC Directive 2004/108/EEC.

IMPORTANT INFORMATION FOR CORRECT DISPOSAL OF THE PRODUCT IN ACCORDANCE WITH EC DIRECTIVE 2002/96/EC.

Please render the appliance unusable before disposal. This includes removing the plug and breaking the door fixings to prevent children being trapped inside the appliance during play, or any other risk of injury.

At the end of its working life, the product must not be disposed of as urban waste. It must be taken to a special local authority differentiated waste collection centre or to a dealer providing this service.

Disposing of a household appliance separately avoids possible negative consequences for the environment and health deriving from inappropriate disposal and enables the constituent materials to be recovered to obtain significant savings in energy and resources. As a reminder of the need to dispose of household appliances separately, the product is marked with a crossed-out wheeled dustbin. 



## Before first use

It is recommended that you remove all internal and external packaging and clean the interior of the appliance prior to first use, using a solution of bicarbonate of soda and warm water and then thoroughly dry the interior.

The appliance may have an odour to it at first use. This will disappear as the appliance cools.

### Please note:

- The appliance will work continuously until it gets to the correct temperature.
- The LED display may not show the selected temperature whilst the appliance first gets to the correct temperature. This is normal, and the display will be corrected automatically once the appliance has run for a few hours.

### Use

- This appliance is intended to be used exclusively for the storage of wine.
- In the event of a power failure, leave the drawer closed as much as possible to maintain the internal working temperature. Should the power failure continue for a prolonged period, you should take steps to protect the contents of the wine drawer against a rise in temperature. The wine cooler will remember the selected temperature settings and revert to these settings once the power is restored
- Only store wine in sealed containers positioned on the storage racks
- Do not overload the drawer
- Only open the drawer when necessary

This appliance is suitable for use in an extended temperature climate (N) and has a normal operating ambient temperature of 16-32C. Use of the appliance below 10C° or above 25C° may cause performance issues that are not indicative of a fault. Normal operation will resume once the appliance is within the specified range.

## Use and Controls

### To switch the power on/off

- Touch and hold the power button.

### To change the temperature

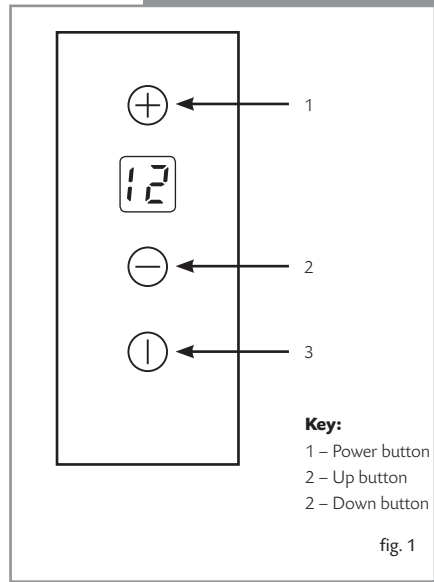
- Press the up or down buttons until the required temperature is as shown on the display.

### Optimal temperature selection

Whilst wine is best stored at temperatures between 13 and 15°C, your wine can also be stored at drinking temperature. For red wine this is between 15 and 17°C, and for white wine between 12 and 13°C.

### The cooling drawer is designed to store:


- Either 5 standard bottles of wine
- Or 3 standard wine bottles and 2 champagne bottles
- Or 4 champagne bottles





## Care and Cleaning

**Always disconnect the appliance from the mains electrical supply before any cleaning or maintenance.**

- Do not use abrasive products or detergents. After washing, rinse and dry thoroughly.
  - The exterior of the appliance and the seal should be cleaned using mild soapy water and dried thoroughly.
  - The interior should be cleaned using a solution of bicarbonate of soda and lukewarm water.
  - Ensure that the cloth is only moist when cleaning the control panel and electrical parts, and that all water is thoroughly dried off before reconnecting the power.
  - Once cleaning is complete, reconnect the mains electrical supply.
  - If the appliance is not to be used for prolonged periods of time, unplug and clean the appliance thoroughly. The drawer should be left slightly ajar to prevent the formation of odours or condensation.
- 



## Troubleshooting

**If you have any problems with your appliance, you should check the troubleshooting guide prior to calling CDA Customer Care to prevent unnecessary service calls and potential cost.**

### **If the appliance is not working, check**

- There is power to the appliance
- The house fuses or circuit breakers are intact and the fuse in the plug has not blown.
- The plug socket is functioning correctly. To check this, plug another electrical appliance in to see if the socket is working.
- The ambient temperature is between 16° and 32°C.

### **The appliance is working, but not very well, check**

- The appliance is not overloaded.
- The thermostat is set to an appropriate temperature.
- The drawer is closing properly.
- The drawer seal is sealing properly
- There is enough ventilation at the side and rear walls.
- The ambient temperature is between 16° and 32°C.

### **The appliance is noisy, check**

- The appliance is level and stable.

### **The light does not work, check**

- There is power to the appliance
- The house fuses or circuit breakers are intact and the fuse in the plug has not blown.

#### **Please note:**

The LED lighting cannot be replaced without a service call. If the light fails, contact CDA Customer Care.

### **The drawer will not close properly, check**

- The appliance is level and stable.
- If the drawer has been removed, it may not have been correctly refitted
- The drawer seal is clean

## Installation

This appliance should be installed in a well ventilated, dry room.

This appliance must not be installed:

1. In direct sunlight
2. Adjacent to a heat source (oven or radiator)
3. Below a hob unit

This appliance is intended to be built in to a standard kitchen under counter drawer unit. The standard gap between a worktop and the top of a fascia panel is 4mm. This product has been designed to work with fascia panels of 140mm

Ensure the fixings used are appropriate to support the weight of the unit when fully loaded.

Ensure that there is an adequate flow of air at the rear of the cabinet.

**IMPORTANT: Failure to follow the instructions regarding installation and ventilation may invalidate the warranty supplied with your appliance.**

To ensure the proper functioning of the appliance, air vents should never be blocked or covered.

### Installing the appliance

1. Remove the drawer of the cabinet and the top rail where the appliance is to be installed.
2. Remove the two existing drawer guides.
3. Fasten the support brackets into position as shown in figure 3. Adjust the brackets so that the distance from the top of the bracket to the underside of the worktop is 160mm.
4. Slide the unit into position on the brackets and fix to the units using two appropriate screws (not supplied).
5. Secure the appliance to the cabinet with two screws (not supplied) as shown in figure 4.

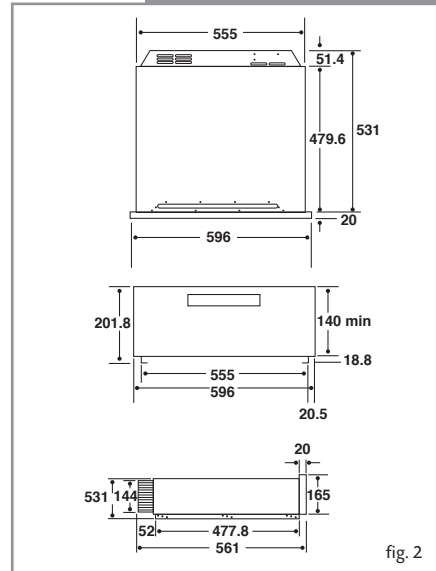


fig. 2

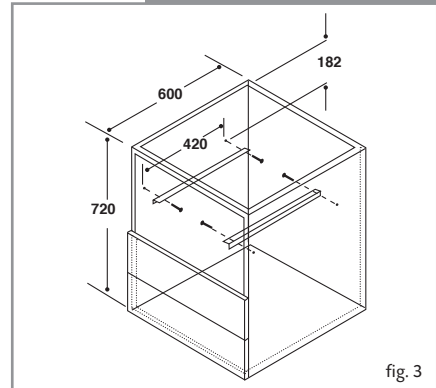


fig. 3

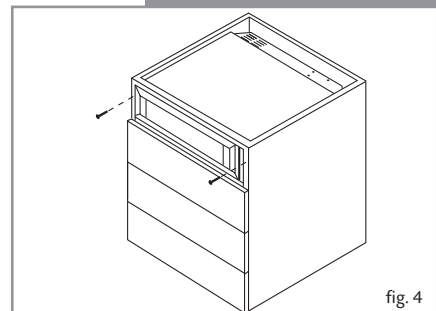
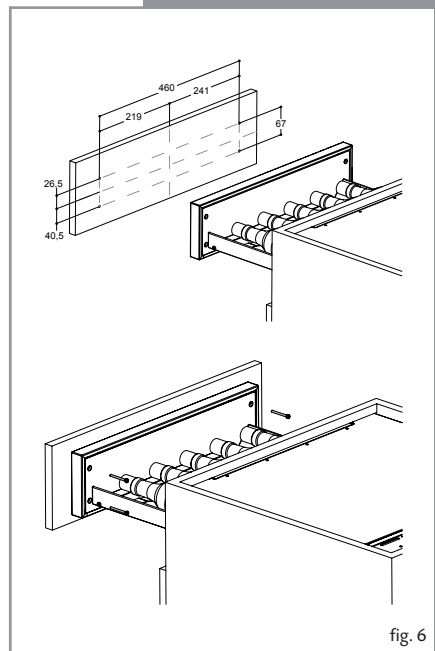
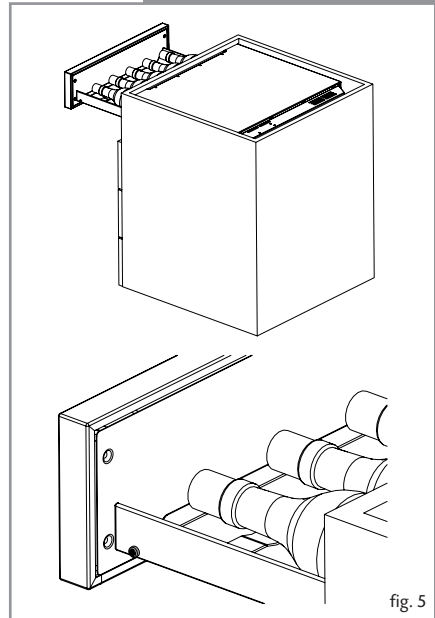


fig. 4

### Mounting the fascia

6. Open the drawer and remove the screws located on either side, as shown in figure 5, to allow the drawer to be removed completely.
7. Locate the fascia panel on the front of the appliance and secure with four screws, as shown in figure 6, ensuring that it aligns with adjacent fascia panels and that the lower edge of the fascia panel aligns with the lower edge of the drawer front (for 140mm fascia panels)
8. Connect to the mains supply.





## Mains Electricity Connection

THIS APPLIANCE MUST BE CONNECTED TO THE MAINS SUPPLY BY A COMPETENT PERSON, USING FIXED WIRING VIA A DOUBLE POLE SWITCHED FUSE SPUR OUTLET AND PROTECTED BY A 3A FUSE.

We recommend that the appliance is connected by a qualified electrician, who is a member of the N.I.C.E.I.C. and who will comply with the I.E.E. and local regulations.

The wires in the mains lead of this appliance are coloured in accordance with the following code:

**Green & Yellow = Earth, Blue = Neutral, Brown = Live.**

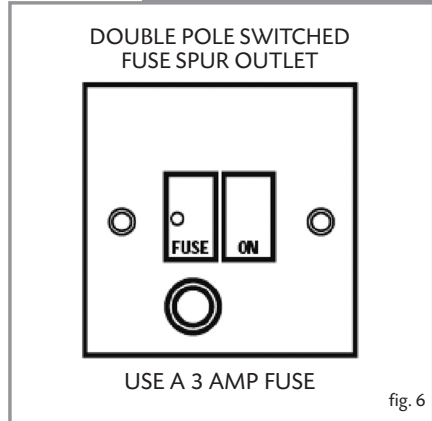
As the colours of the wires in the mains lead for the appliance may not correspond with the coloured markings identifying the terminals connecting to the fuse spur, proceed as follows:

- The wire which is coloured green and yellow must be connected to the terminal marked E (Earth) or coloured green.
- The wire which is coloured blue must be connected to the terminal marked N (Neutral), or coloured black.
- The wire which is coloured brown must be connected to the terminal marked L (Live), or coloured red.

### **Note: Use a 3A Fuse**

Assembly and electrical connection should be carried out by specialised personnel.

When installing this product we recommend you seek the help of another individual.









# |C|D|A|

To contact our Customer Care Department, or for Service,  
please contact us on the details below.