

Master View KVM Switch

USER MANUAL

CS-914

FCC INFORMATION

This equipment has been tested and found to comply with the limits for a Class B digital device, pursuant to Part 15 of the FCC Rules. These limits are designed to provide reasonable protection against harmful interference in a residential installation. This equipment generates, uses and can radiate radio frequency energy, and if not installed and used in accordance with the instruction manual, may cause interference to radio communications. However, there is no guarantee that interference will not occur in a particular installation. If this equipment does cause harmful interference to radio or television reception, which can be determined by turning the equipment off and on, the user is encouraged to try to correct the interference by one or more of the following measures:

- ◆ Reorient or relocate the receiving antenna;
- ◆ Increase the separation between the equipment and receiver;
- ◆ Connect the equipment into an outlet on a circuit different from that which the receiver is connected;
- ◆ Consult the dealer or an experienced radio/television technician for help.

ROHS

This product is RoHS compliant.

SJ/T 11364-2006

The following contains information that relates to China.

部件名称	有毒有害物质或元素					
	铅	汞	镉	六价铬	多溴联苯	多溴二苯醚
电器部件	●	○	○	○	○	○
机构部件	○	○	○	○	○	○

○: 表示该有毒有害物质在该部件所有均质材料中的含量均在SJ/T 11363-2006规定的限量要求之下。

●: 表示符合欧盟的豁免条款, 但该有毒有害物质至少在该部件的某一均质材料中的含量超出SJ/T 11363-2006的限量要求。

×: 表示该有毒有害物质至少在该部件的某一均质材料中的含量超出SJ/T 11363-2006的限量要求。



CS-914 USER MANUAL

ONLINE REGISTRATION

You can register your product at our online support center:

International		http://support.aten.com
North America	ATEN TECH	http://www.aten-usa.com/ product_registration
	ATEN NJ	http://support.aten.com

ONLINE SUPPORT

INTERNATIONAL

Email Support		support@aten.com
Online Support	Technical Support	http://support.aten.com
	Troubleshooting Documentation Software Updates	http://www.aten.com
Telephone Support		886-2-8692-6959

NORTH AMERICA

Email Support		ATEN TECH	support@aten-usa.com
		ATEN NJ	sales@aten.com
Online Support	Technical Support	ATEN TECH	http://www.aten-usa.com/support
		ATEN NJ	http://support.aten.com
	Troubleshooting Documentation SW Updates	ATEN TECH	http://www.aten-usa.com
		ATEN NJ	http://www.aten.com
Telephone Support		ATEN TECH	1-888-999-ATEN
		ATEN NJ	1-732-356-1703

PACKAGE CONTENTS

The Master View CS-914 Mini KVM Switch package contains the following items:

- ◆ 1 Master View CS-914 Mini KVM Switch
- ◆ 1 User Manual*
- ◆ 2 1.8 m PS/2 KVM Cables
- ◆ 2 1.2 m PS/2 KVM Cables

Check to make sure that all the components are present and that nothing got damaged in shipping. If you encounter a problem, contact your dealer.

Read this manual thoroughly and follow the installation and operation procedures carefully to prevent any damage to the unit, and/or any of the devices connected to it.

* Features may have been added to the CS-914 since this manual was printed. Please visit our website to download the most up-to-date version of the manual.

Copyright © 2007 ATEN® International Co., Ltd.
Manual Part No. PAPE-1167-100
Printing Date: 11/2007

ATEN and the ATEN logo are trademarks of ATEN International Co., Ltd. All rights reserved. All other trademarks are the property of their respective owners.

OVERVIEW

The Master View CS-914 Mini KVM Switch is a control unit that allows access to four computer systems from a single console (keyboard, mouse, and monitor). Before the development of the Master View, the only way to control multiple computer configurations from a single console was through a complex and costly network system. Now, with the Master View CS-914, you can easily access up to four computers in a cost effective manner.

The Master View CS-914 provides two convenient methods to access the computers connected to the system: using the Port Selection Pushbutton located on the unit's right panel; and entering Hotkey combinations from the keyboard.

Setup is fast and easy – plugging cables into their appropriate ports is all that is entailed. There is no software to configure, no installation routines, and no incompatibility problems. Since the Master View CS-914 intercepts keyboard input directly, it works on any hardware platform and with all operating systems.

There is no better way to save time and money than with a Master View CS-914 installation. By allowing a single console to manage all of the attached computers, the CS-914 eliminates the expense of purchasing a separate keyboard, monitor, and mouse for each system. Additionally, it saves all the extra space they would take up, and eliminates the inconvenience and wasted effort involved in constantly having to move from one computer to the other.

FEATURES

- ◆ One PS/2 console controls 4 computers
- ◆ Computer selection via pushbuttons and hotkeys
- ◆ Superior video quality – up to 1920 x 1440 resolution, DDC2B
- ◆ Supports Microsoft IntelliMouse, Logitech Mouseman, FirstMouse, IBM Scrollpoint Mouse
- ◆ Keyboard and mouse emulation for error free computer booting
- ◆ Easy to install – no software required – standard cables to connect to the computers is all it takes
- ◆ Auto Scan function to monitor computer operation
- ◆ Compatible with all operating platforms
- ◆ LED display for easy status monitoring
- ◆ Saves time, space, power, and equipment costs
- ◆ Non-powered
- ◆ Hot pluggable

SYSTEM REQUIREMENTS

CONSOLES

- ◆ 1 VGA, SVGA, or Multisync monitor capable of the highest resolution that you will be using on any computer in the installation
- ◆ 1 PS/2 mouse
- ◆ 1 PS/2 keyboard

COMPUTERS

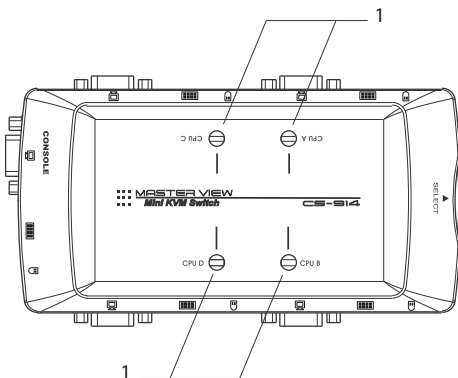
The following equipment must be installed on each computer that is to be connected to the system:

- ◆ 1 VGA, SVGA or Multisync card
- ◆ 1 PS/2 mouse port
- ◆ 1 PS/2 keyboard port

Note: The Master View CS-914 Mini KVM Switch only supports PS/2 mice – it does not support serial mice.

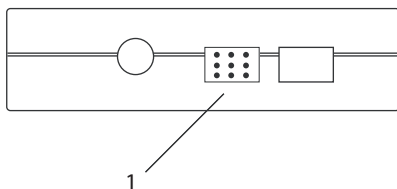
COMPONENTS

CS-914 TOP VIEW



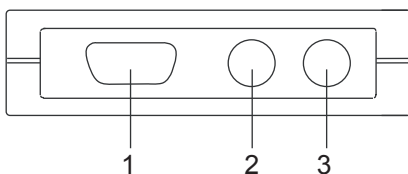
No.	Description	Function	
1	KVM (CPU) Port LEDs	Each KVM (CPU) Port has a corresponding LED. Depending on the Port status, the LED will flash according to a specific pattern, as follows:	
		Off	Port is not selected
		On (Steady)	Port is connected to an active computer
		Flashing (On and Off, evenly)	Port is connected to an active computer and being accessed in Auto Scan mode
Flashing (On long; Off short)	Port is connected to an active computer and is being accessed in Last/Next mode.		

CS-914 RIGHT SIDE VIEW



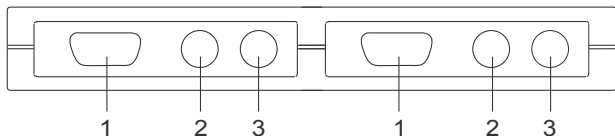
No.	Description	Function
1	Port Selection Pushbutton	Pressing this pushbutton cycles through the four KVM (CPU) ports (A→B→C→D→A, etc.) to select the active port.

CS-914 LEFT SIDE VIEW



No.	Description	Function
1	Video Port	The console monitor plugs into this port.
2	Keyboard Port	The console keyboard plugs into this port.
3	Mouse port	The console mouse plugs into this port.

CS-914 FRONT / REAR VIEW



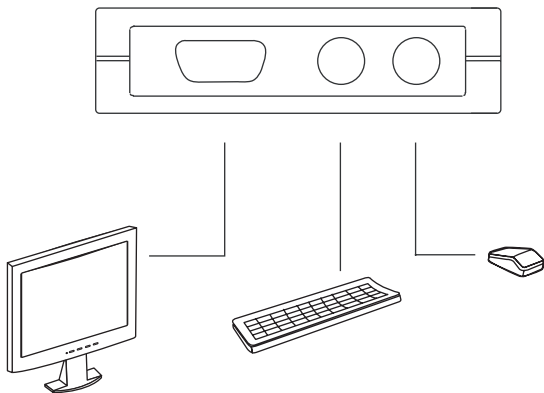
No.	Description	Function
1	Video Port	The computer monitors plug into these ports.
2	Keyboard Port	The computer keyboards plug into these ports.
3	Mouse Port	The computer mice plug into these ports.

INSTALLATION



1. Make sure that the power to any device that you connect to the installation has been turned off. You must unplug the power cords of any computers that have the *Keyboard Power On* function.
2. Make sure that all devices you will be installing are properly grounded.

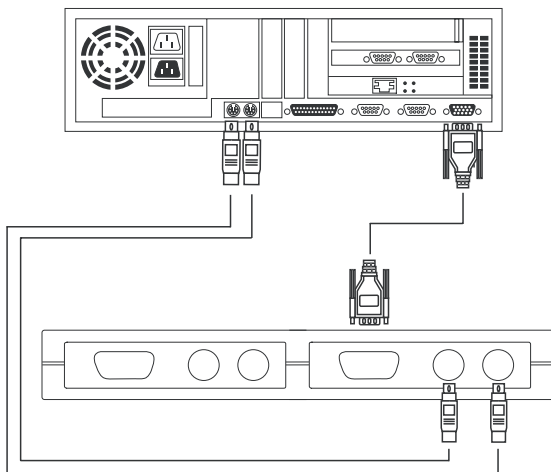
1. Plug the monitor, keyboard, and mouse into the Console port connectors (located on the left side panel) of the CS-914.



(continues on next page)

(continued from previous page)

2. Use the KVM cables to connect the monitor, keyboard and mouse ports of the computers to the KVM (CPU) Ports (on the front and rear panels of the CS-914).



3. Turn on the power to the monitors and the computers.

Note: The Power On default is to link to Port A. If the computer attached to Port A is inactive, the monitor will be blank. Use one of the Port Selection methods (described under *Operation*), to switch to an active computer on one of the other ports (B, C, or D).

OPERATION

Controlling the computers in your CS-914 installation from a single console could not be easier. Two port selection methods that provide instant access to the computers are available:

MANUAL PORT SELECTION

With Manual Port Selection, you simply press the Port Selection button on the Master View's right panel to cycle among the computers (A→B→C→D→A, etc.). The Selected LED on the top panel lights to indicate which port is active.

HOTKEY PORT SELECTION

Hot Key navigation allows you to select the active computer directly from the keyboard, instead of having to manually select it by pressing the Port Selection button. The CS-914 provides several Hotkey navigation features. These are:

- ◆ Selecting the Active Port
- ◆ Auto Scan Mode
- ◆ Last/Next Mode

Note: 1. All Hotkey operations begin by pressing and releasing the Alt→Ctrl→Shift combination in sequence (i.e. press Alt, release Alt, press Ctrl, release Ctrl, press Shift, release Shift). Do not press the keys simultaneously.

2. Use all keys on the same side (i.e. Left Alt→Left Ctrl→Left Shift, or Right Alt→Right Ctrl→Right Shift)

SELECTING THE ACTIVE PORT

Each KVM (CPU) port is assigned an alpha ID (A, B, C, D). A Port ID Number is associated with each letter (see table, below). You access the computer attached to a port by specifying the Port ID in the following Hotkey combination:

1. Press and release Alt→Ctrl→Shift in sequence.

2. Key in the appropriate Port ID Number (1, 2, 3, or 4).

Note: The keypad number keys on the right of the keyboard do not function in the Hotkey sequence; use the regular number keys along the top of the keyboard.

3. Press [Enter].

Port ID numbers correspond to following port letters:

Port Letter	Port ID Number
A	1
B	2
C	3
D	4

Auto Scan Mode

The Auto Scan feature automatically switches among the four computers at regular intervals so that you can monitor their activity without having to take the trouble of switching yourself.

To invoke Auto Scan Mode, key in the following Hotkey combination:

1. Press and release Alt→Ctrl→Shift in sequence.
2. Press and release 0 (zero.)
3. Press [Enter].

Once scanning begins, it continues until you press the [Spacebar] to exit Auto Scan Mode. The port that was currently active at the time scanning stopped remains active.

Note: While Auto Scan Mode is in effect, none of the other keyboard keys will function. You must exit Auto Scan Mode by pressing the **[Spacebar]** in order to use the console for anything else.

Last/Next Mode

The Last/Next feature enables you to quickly switch back and forth between computers in order to monitor them manually, instead of using Auto Scan Mode. This method lets you dwell on a particular port for as long or as little as you like – as opposed to Auto Scan Mode, which switches after a fixed interval.

To invoke Last/Next Mode, key in the following Hotkey combination:

1. Press and release Alt→Ctrl→Shift in sequence.
2. Press and release 9.
3. Press [Enter].

Once Last/Next Mode is active, pressing the left Shift key (LShift) switches to the previous computer (from the currently active one); pressing the right Shift key (RShift) switches to the next computer in the installation.

Note: While Last/Next Mode is in effect, none of the other keyboard keys will function. You must exit Last/Next Mode by pressing [Spacebar] in order to use the console for anything else.

SPECIFICATIONS

Function		CS-914	
Computer Connections		4	
Port Selection		Side panel pushbutton / Hotkeys	
LEDs		4 Selected (Red)	
Connectors	Console	Keyboard	1 x 6-pin mini-DIN Female (Purple)
		Video	1 x HDB-15 Female (Blue)
		Mouse	1 x 6-pin mini-DIN Female (Green)
	KVM (CPU) Ports	Keyboard	4 x 6-pin mini-DIN Female (Purple)
		Video	4 x HDB-15 Female (Blue)
		Mouse	4 x 6-pin mini-DIN Female (Green)
Environment	Operating Temperature	0–50°C	
	Storage Temperature	-20–60°C	
	Humidity	0–80% RH, Non-condensing	
Physical Properties	Housing	Plastic	
	Weight	0.25 kg	
	Dimensions (L x W x H)	17.80 x 8.70 x 2.80 cm	

TROUBLESHOOTING

Note: If you are experiencing problems, first make sure that there are no problems with the cables and that they are all properly connected.

Symptom	Possible Cause	Action
Keyboard not responding	Loose cables	Check all keyboard cable connections to make sure that they are completely seated in their ports.
	Keyboard needs to be reset	Unplug the keyboard from the Console Keyboard Port, then plug it back in.
	CS-914 needs to be reset	Turn off the computers; wait five seconds; then turn the computers back on.
	CS-914 is in Auto Scan mode or Next/Last mode	Press the [Spacebar] to exit Auto Scan mode or Next/Last mode.
Pressing Hotkeys gets no response	Selected port connects to a Powered Off computer	Change the port manually by pressing the appropriate Port Selection switch. Resent the Hotkey command selecting a port that has a Powered On computer.
	Hotkey sequence input incorrectly	Resent the Hotkey command – press and release each key in the sequence individually: [Ctrl] then [Shift] then [Alt] then the Port ID number, then [Enter].
	CS-914 is in Auto Scan mode or Next/Last mode	Press the [Spacebar] to exit Auto Scan mode or Next/Last mode.
Video problems	Resolution and/or bandwidth set too high	The CS-914 supports VGA, SVGA, Multisync and XGA (interlaced), with resolutions up to 1280 x 1024 @ 80 Hz. The maximum bandwidth is 150 MHz.
	Cable quality not good enough	We strongly recommend that you use high quality cables to eliminate possible video problems.

(continues on next page)

(continued from previous page)

Symptom	Possible Causes	Action
Mouse not detected or does not respond correctly	Loose cables	Check all mouse cables to make sure that they are correctly seated in their ports.
	Use of mouse port adapters	The CS-914 is designed to work only with PS/2 mice and computers with PS/2 mouse ports. PS/2 mouse signals and serial signals are different – adapters will not convert the signals – therefore, the computer must be equipped with a PS/2 mouse port. Serial mouse ports with PS/2 ports cannot be used.
	Mouse needs to be reset	Unplug the mouse from the Console Mouse Port, then plug it back in.
	CS-914 needs to be reset	Turn off the computers; wait five seconds; then turn the computers back on.
	Mouse set to serial mode	Some mice can be set to act as either a PS/2 or serial mouse. Make sure that the mouse is set to PS/2.
	Incorrect mouse driver	Check your Device Manager to be sure that the correct driver for your mouse (obtained from the manufacturer, or supplied by the operating system), has been installed.

Note: Some notebook computers have trouble working with the CS-914 when their mouse and keyboard ports are used simultaneously. To avoid this problem, only connect the mouse port *or* the keyboard port to the CS-914. If you connect the mouse port, you will need to use the notebook's keyboard when the notebook becomes the active computer.

LIMITED WARRANTY

IN NO EVENT SHALL THE DIRECT VENDOR'S LIABILITY EXCEED THE PRICE PAID FOR THE PRODUCT FROM THE DIRECT, INDIRECT, SPECIAL, INCIDENTAL OR CONSEQUENTIAL DAMAGES RESULTING FROM THE USE OF THE PRODUCT, DISK OR ITS DOCUMENTATION.

The direct vendor makes no warranty or representation, expressed, implied, or statutory with respect to the contents or use of this documentation, and specially disclaims its quality, performance, merchantability, or fitness for any particular purpose.

The direct vendor also reserves the right to revise or update the device or documentation without obligation to notify any individual or entity of such revisions, or update. For further inquires please contact your direct vendor.