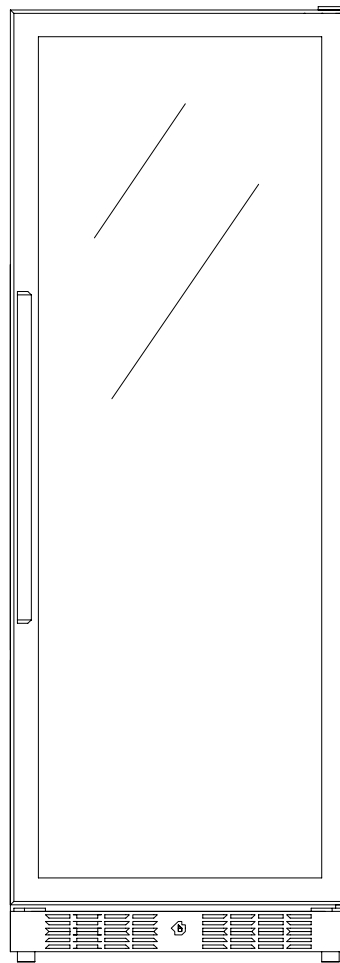




SENSING THE DIFFERENCE



ARC 1800

Built in Wine Cooler Instruction Manual

A. IMPORTANT SAFETY INFORMATION

The appliance which you have purchased is a wine cooler – a professional appliance intended exclusively for keeping wines. This manual contains important information regarding safety, the use and maintenance of your appliance. Read the manual and keep it in an easily accessible place for future consultation.

BEFORE USING YOUR WINE CELLAR

- Remove the exterior and interior packing.
- After unpacking the appliance, make sure that the door closes. Inform your retailer of any damage within 24 hours.
- Wait for at least 24 hours before switching the appliance on, so that the cooling circuit has time to reach full efficiency.
- Clean the interior surface with lukewarm water using a soft cloth.
- Make sure that the installation and electrical connection are carried out by a qualified engineer according to the manufacturer's instructions and the local rules in force.
- When disposing your appliance, please choose an authorized disposal site.

GENERAL PRECAUTIONS AND SUGGESTIONS

- Use the wine cellar for storing wines only. Do not put any other type of food into it.
- Be careful not to cover or obstruct the appliance's ventilation openings.
- Do not allow children to play or hide inside the appliance to avoid the risk of suffocation or being trapped. Children should be supervised to ensure that they do not play with the appliance.
- Before any maintenance or cleaning, unplug the plug from the power socket or switch off the electrical power.
- Only an authorized person can replace the power supply cable.
- Do not keep explosive substances in the appliance or clean appliance parts with flammable fluids. The fumes can create a fire hazard or explosion.
- Be careful when moving the appliance in order not to damage flooring (e.g. parquet).
- Do not use extensions or multiple adapters.
- The appliance is not intended for use by young children or unsupervised infirm people.
- Do not damage the cooling fluid circuit.
- Do not use electrical appliances inside the wine cooler, if they are not of the type recommended by the manufacturer.

- Locate the wine cooler away from direct sunlight and sources of heat (stove, heater, radiator, etc.). Direct sunlight may affect the acrylic coating and heat sources may increase electrical consumption. Extreme cold ambient temperatures may also cause the unit not to perform properly. Operate the wine cooler in ambient temperatures specified by its temperature class marked on the rating plate.

Class	Symbol	Ambient Temperatures range (°C)
Extended Temperature	SN	10 to 32
Temperature	N	16 to 32
Subtropical	ST	16 to 38
Tropical	T	16 to 43

- Avoid locating the wine cooler in moist areas.
- If large amounts of wine are put in the appliance, it may take several days for it to reach a constant temperature.
- The storage temperature must never drop below +5°C.
- Store wine in sealed bottles.
- Do not overload the cabinet.
- Do not open the door unless necessary.
- Do not cover shelves with aluminum foil or any other shelf material which may prevent air circulation.
- If the wine cooler is to be stored without use for long periods, it is suggested, after a careful cleaning, to leave the door ajar to allow air to circulate inside the cabinet in order to avoid possible formations of condensation, mold or odors.
- To prevent damaging the door gasket, make sure to have the door all the way opened when pulling shelves out of the rail compartment.
- If the supply cord is damaged, it must be replaced by manufacturer of its service agent or a similarly qualified person in order to avoid a hazard.
- This wine cooler is for household use only, not for commercial use.
- When the appliance is working, drops of dew or frost may form on the inner liner wall. This depends on the operation. There is no need to scrape the frost off or dry off the dew. The back wall defrosts automatically. The defrost water is automatically conveyed to a drain hole, and then collected in a container where it evaporates.
- Condensation formed on glass door is normal, especially when humidity level is high or when there is a huge temperature difference.

REMEMBER WHEN ARRANGING

- Place the bottles in a central position on the rack.
- When closing the door make sure that the bottles do not touch the glass door.
- Highly concentrated alcohol must be kept hermetically closed and in a vertical position.
- Always store bottled wines individually and not in cases or cardboard boxes.

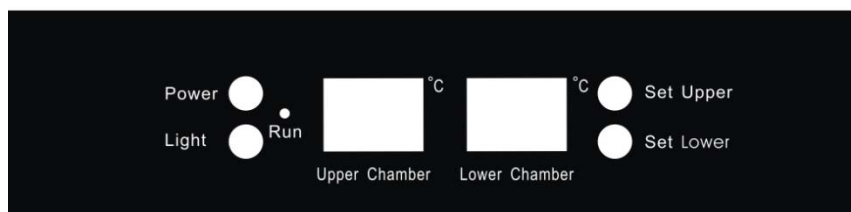
TABLE OF THE BEST SERVING TEMPERATURES FOR WINES

The table below gives the indicative temperatures at which the wine should be served. If the wine must be served at a higher temperature than that set inside the cooler, it should be left out for as long as is necessary.

Barolo	17° C	Verdicchio	8° C
Barbaresco	17° C	White Trentino wines	11° C
Beaujolais	13° C	White Franciacorta wines	11° C
White Dry Bordeaux	8° C	Dry white wines	8° C
Red Bordeaux	17° C	Friuli wines	11° C
White Burgundy	11° C	Rhone wines	15° C
Red Burgundy	18° C	Dry White Loire wines	10° C
Brunello	17° C	Liqueur Loire wines	7° C
Champagne	6° C	Red Loire wines	14° C
Chianti Classico	16° C	Liqueur raisin wines	8-18° C
Passito di Pantelleria	6° C	Vins Nouveaux	12° C
Rosé Cote de Provence	12° C	Light Red wines, without much tannin	14° C
Dry and Sweet Spumanti	6° C	Quite full-bodied Red wines, with some tannin	16° C

B. OPERATING INSTRUCTIONS

CONTROL PANEL



Run	Indicator light illuminates to signify the cooling mode is currently in operation
Light	To turn on/ off the inner light
Power	To switch on/ off the appliance (press and hold for approximately 3 seconds)
Set Upper	To set the temperature of the upper chamber
Set Lower	To set the temperature of the lower chamber
Upper Chamber	To display the actual temperature in the upper compartment
Lower Chamber	To display the actual temperature in the lower compartment

TEMPERATURE SETTING

- The default temperature of the upper compartment is 6 °C while the default temperature of the lower compartment is 12 °C. Once the appliance is unplugged, the system will return to the default temperature setting.
- To set the temperature of the upper or lower compartment, press the “Set Upper” or “Set Lower” button. The LED display will flash and display the temperature being set.
- Press the button once to decrease or increase the temperature by 1 °C. When the minimum value that can be set has been exceeded, it will jump to the highest adjustable temperature value automatically. The LED display will stop flashing once the button has not been pressed for 5 seconds. It will revert back to displaying the actual temperature of the upper or lower compartment.
- The temperature of the upper compartment can be adjusted from 5 °C to 18 °C.
- The temperature of the lower compartment can be adjusted from 5 °C to 18 °C.

Attention:

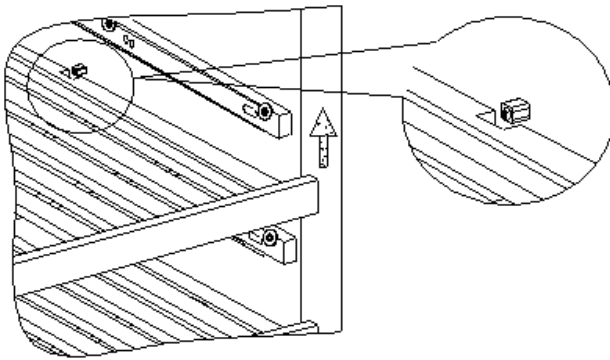
- If the appliance is unplugged or power lost occurred, you must wait 3 to 5 minutes before restarting the appliance. If you attempt to restart before this time delay, the wine cooler will not start. For first time use or long period of non-use, the temperature will differ between the setting temperature and the LED display temperature. The temperature will revert back to normal after running for a period.

REMOVING SHELVES

Attention:

- To prevent damaging the door gasket, make sure to have the door all the way opened when pulling shelves out of the rail compartment.
- For easy access to the storage content, you must pull the shelves approximately 1/3 out of the rail compartment, however this unit was designed with a notch on each sides of the shelf tracks to prevent bottles from falling.

Put the shelf gap (left and right) under the square plastic block, up tilt the shelf, then pull the shelf from the wine cooler.



REVERSING THE DOOR

The appliance delivered to you has the door opening from the left side. Should you desire to reverse the opening direction, please follow the below instructions.

Fig.A

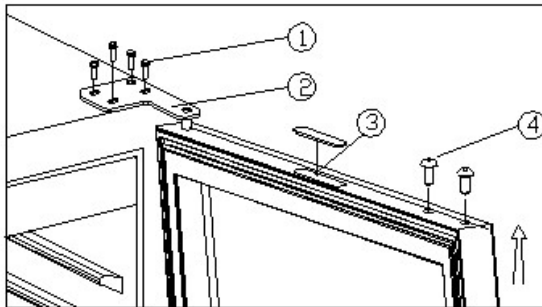


Fig.B

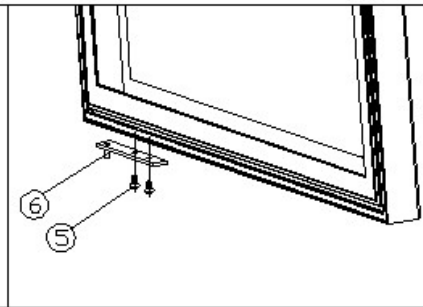


Fig.C

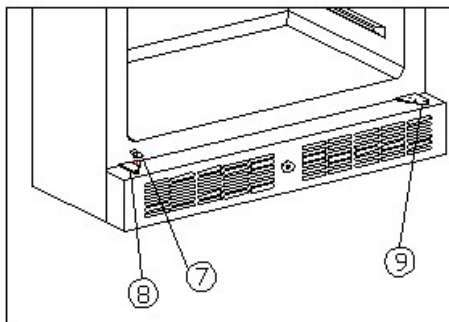
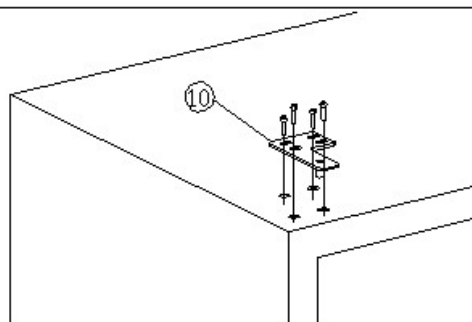


Fig.D

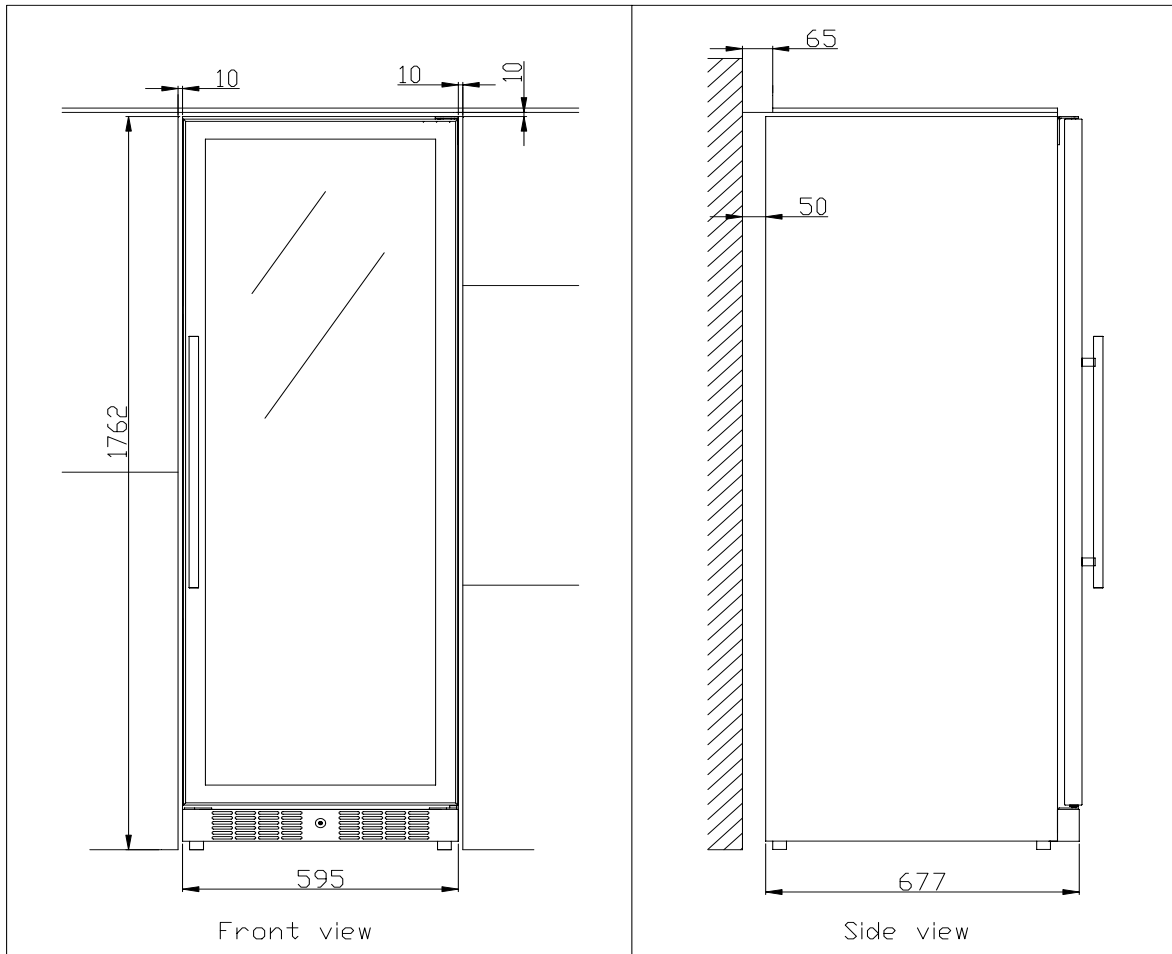


1. Screws	2. Top hinge (right)	3. Lock hole decorative cover
4. Decorative nails	5. Screws	6. Door axis (right)
7. Door bracket	8. Lower hinge (left)	9. Lower hinge (right)
10. Top hinge (left)		

1. Take out the 4 screws (1) from the top hinge (right) (2) and remove the top hinge (right), then remove the door. (Fig.A)
2. Store the door safety and take out the lock hole decorative cover (3) and the decorative nails (4) from the top of the door frame, unscrew the 2 screws (5) at bottom and remove the door axis (right) (6), then install the lock hole decorative cover (3) and the decorative nails (4) at bottom. Please install the spare left door axis at the top of the door frame. (Fig.B)
3. Remove the door bracket (7) from the lower hinge (left)(8) and install it into the lower hinge (right)(9). (Fig.C)
4. Rotate the door 180 degrees, install the door axis at the lower hinge (left) and install the door onto the lower hinge (left), then close the door carefully.
5. Fix the spare top hinge (left) (10) onto the top of the cabinet (left) with the 4 screws (1), then adjust the door. (Fig. D)

Note: This is a two person operation.

C. INSTALLATION



INSTALLATION PRECAUTION

- Place the wine cooler on a floor that is strong enough to support it when it is fully loaded. To level your wine cooler, adjust the front leveling leg at the bottom of the wine cooler.
- Do not move your wine cooler while loaded with wine. The wine cooler should be installed in a suitable place in order to avoid touching the compressor with hand.

D. CARE & MAINTENANCE

CLEANING OF THE WINE COOLER

- Switch off the power, unplug the appliance and remove all items including shelves and rack.
- Wash the inside surfaces with warm water and mild solution.
- Wash the shelves with mild detergent solution.
- Wipe excess water with a sponge or cloth when cleaning area of the control or any electrical parts.
- Wash the outside cabinet with warm water and mild liquid detergent. Rinse well and wipe dry with a clean soft cloth.

POWER FAILURE

- Most power failures are corrected within a few hours and should not affect the temperature of your appliance if you minimize the number of times the door is opened. If the power is going to be off for a long period of time, you need to take the proper steps to protect your contents.

VACATION TIME

- Short vacations: Leave the wine cooler operating during vacations of less than three weeks.
- If the appliance will not be used for several months, remove all items and turn off the appliance. Clean and dry the interior thoroughly. To prevent odor and mold growth, leave the door slightly open.

MOVING THE WINE COOLER

- Remove all items.
- Take out the loose items inside the wine cooler (such as shelf) or fix the loose items with foam.
- Turn the adjustable leg up to the base to avoid damage.
- Tape the door shut.
- Be sure the appliance stays secure in an upright position during transportation. Also protect the outside of appliance with a blanket or similar items.

ENERGY SAVING TIPS

- The wine cooler should be located in the coolest area of the room, away from producing appliances and out of the direct sunlight.

E. TROUBLESHOOTING GUIDE

Problem	Possible Cause
Wine Cooler does not operate	<ul style="list-style-type: none"> - The plug is not plugged into the socket properly. - The appliance is switched off. - There is a power cut.
Wine Cooler is not cold enough	<ul style="list-style-type: none"> - Temperature control setting is not set properly. - The door is opened too often. - The door is not closed completely. - The door gasket does not seal properly. - The appliance has been installed near a heat source.
Compressor turns on and off frequently	<ul style="list-style-type: none"> - The room temperature is hotter than normal. - The cabinet is overloaded. - The door is opened too often. - The door is not closed completely. - Temperature control setting is not set correctly. - The door gasket does not seal properly.
The light does not work	<ul style="list-style-type: none"> - The plug is not plugged into the socket properly. - There is a power cut. - The bulb has burned out. - The light button is “OFF”
Vibrations	<ul style="list-style-type: none"> - The wine cooler is not installed on a level surface.
Too much noise	<ul style="list-style-type: none"> - The rattling noise may come from the flow of the refrigerant, which is normal. - As each cycle ends, you may hear gurgling sounds caused by the flow of the refrigerant. - The wine cooler is not correctly installed. - The wine cooler is not installed on a level surface.
The door will not close properly	<ul style="list-style-type: none"> - The wine cooler is not installed on a level surface. - The door is reversed and not properly installed. - The gasket is dirty. - The shelves are out of position.