

7535 G2

Hand-Held Computer

Quick Reference Guide

May 29, 2006 PN 8000076.A



ISO 9001 Certified
Quality Management System



© Copyright 2006 by Psion Teklogix Inc., Mississauga, Ontario, Canada

This document and the information it contains is the property of Psion Teklogix Inc., is issued in strict confidence, and is not to be reproduced or copied, in whole or in part, except for the sole purpose of promoting the sale of Psion Teklogix manufactured goods and services. Furthermore, this document is not to be used as a basis for design, manufacture, or sub-contract, or in any manner detrimental to the interests of Psion Teklogix Inc.

All trademarks are the property of their respective holders.

Return-To-Factory Warranty

Psion Teklogix provides a return to factory warranty on this product for a period of twelve (12) months in accordance with the Statement of Limited Warranty and Limitation of Liability provided at www.pSIONteklogix.com/warranty. (If you are *not* already a member of Teknet and you attempt to view this warranty, you will be asked to register. As a member of Teknet, you'll have access to helpful information about your Psion Teklogix products at no charge to you.) In some regions, this warranty may exceed this period. Please contact your local Psion Teklogix office for details. For a list of offices, refer to "Support Services & Worldwide Offices" on page 56. The warranty on Psion Teklogix manufactured equipment does not extend to any product that has been tampered with, altered, or repaired by any person other than an employee of an authorized Psion Teklogix service organization. See Psion Teklogix terms and conditions of sale for full details.

Important: *To ensure prompt warranty service in North America, please register the serial number of this device to activate its warranty coverage by contacting Psion Teklogix at 1-800-835-5644 ext. 209, or via web-link americascontracts@teklogix.com. Failure to do so could affect the ability of Psion Teklogix' to effectively service, repair, or support this device.*

Service

Psion Teklogix provides a complete range of product support services to its customers. For detailed information, please refer to "Support Services & Worldwide Offices" on page 56. This section also provides information about accessing support services through the Psion Teklogix web site.



Waste Electrical and Electronic Equipment (WEEE) Directive 2002/96/EC

This Product, and its accessories, comply with the requirements of the Waste Electrical and Electronic Equipment (WEEE) Directive 2002/96/EC.

If your end-of-life Psion Teklogix product or accessory carries a label as shown here, please contact your local country representative for details on how to arrange recycling.

For a list of international subsidiaries, please go to:

www.pSIONteklogix.com/public.aspx?s=us&p=Contacts

Restriction On Hazardous Substances (RoHS) Directive 2002/95/EC

What is RoHS?

The European Union has mandated that high environmental standards be met in the design and manufacture of electronic and electrical products sold in Europe, to reduce hazardous substances from entering the environment. The “Restriction on Hazardous Substances Directive (RoHS)” prescribes the maximum trace levels of lead, cadmium, mercury, hexavalent chromium, and flame retardants PBB and PBDE that may be contained in a product. Only products meeting these high environmental standards may be “placed on the market” in EU member states after July 1, 2006.



RoHS Logo

Although there is no legal requirement to mark RoHS-compliant products, Psion Teklogix Inc. indicates its compliance with the directive as follows:

The RoHS logo located either on the back of the product or under-

neath the battery in the battery compartment (or on a related accessory such as the charger or docking station) signifies that the product is RoHS-compliant as per the EU directive. Other than as noted below, a Psion Teklogix product that does not have an accompanying RoHS logo signifies that it was placed on the EU market prior to July 1, 2006, and is thereby exempt from the directive.

Note: *Not all accessories or peripherals will have a RoHS logo due to physical space limitations or as a result of their exempt status.*

Disclaimer

Every effort has been made to make this material complete, accurate, and up-to-date. In addition, changes are periodically added to the information herein; these changes will be incorporated into new editions of the publication.

Psion Teklogix Inc. reserves the right to make improvements and/or changes in the product(s) and/or the program(s) described in this document without notice, and shall not be responsible for any damages, including but not limited to consequential damages, caused by reliance on the material presented, including but not limited to typographical errors.

Table Of Contents

Approval	3
Safety Summary	4
Program License Agreements	11
1. Basic Preparation	19
1.1 Charging The Battery	19
1.2 Attaching The Hand Strap	19
1.3 Attaching A Pistol Grip	21
1.4 The Battery	22
1.5 Switching The 7535 G2 On	23
1.6 Switching The 7535 G2 Off	24
1.7 Connecting To An 802.11 Network	25
2. Getting To Know Your 7535 G2	25
2.1 7535 G2 Features	25
2.2 The Keyboard	26
2.3 The Display	31
2.4 7535 G2 Indicators	33
2.5 Monitoring The Network Connection	39
2.6 Checking The Scanner	40
3. Navigating In Windows CE	42
3.1 Navigating A Touchscreen	42
3.2 Navigating Using The Keyboard	42
3.3 The Startup Desktop	44
3.4 The Start Menu	46
3.5 Using A Dialog Box	52
4. Scanner Specifications	54

4.1 SE 1200HP, LR & ALR	54
4.2 SE 1224HP, SE 2223 PDF & SE 1524ER	54
4.3 EV15 & SX5303.....	55
5. General Maintenance.....	55
5.1 Caring For The Touchscreen	55
5.2 Cleaning The 7535 G2	56
6. Support Services & Worldwide Offices	56
6.1 Technical Support.....	56
6.2 Product Repairs.....	57
6.3 Worldwide Offices	57

Approval

FCC DECLARATION OF CONFORMITY (DoC)

Applicant's Name & Address:

PSION TEKLOGIX
2100 Meadowvale Blvd.
Mississauga, Ontario
Canada L5N 7J9
Contact Person: Iain Roy
Telephone No.: (905) 813-9900

US Representative's Name & Address:

1810 Airport Exchange Blvd., Suite 500
Erlanger, KY, 41018,
USA
Contact Person: Kyle Day
Telephone No.: (859) 372-4329

Equipment Type/Environment:

Computing Devices

Trade Name / Model No.:

7535 G2 Hand Held Micro-computer with Portable Docking Module

Year of Manufacture:

2006

Standard(s) to which Conformity is Declared:

The 7535 G2 Hand Held Micro-computer with Portable Docking Module, supplied by Psion Teklogix, has been tested and found to comply with **FCC PART 15, SUBPART B - UNINTENTIONAL RADIATORS, CLASS B COMPUTING DEVICES FOR HOME & OFFICE USE.**

I, the undersigned, hereby declare that the equipment as tested is representative within manufacturing tolerance to these units.

Applicant

Legal Representative in U.S.

Signature	Signature
<u>Mike Doyle</u>	<u>Kyle Day</u>
Full Name	Full Name
<u>Vice President of Engineering</u>	<u>V.P. Channel Sales</u>
Position	Position
<u>Mississauga, Ontario, Canada</u>	<u>Erlanger, KY 41018, USA</u>
Place	Place
<u>March 22, 2006</u>	<u>March 22, 2006</u>
Date	Date

Safety Summary

CE Marking

When used in a residential, commercial or light industrial environment the product and its approved UK and European peripherals fulfil all requirements for CE marking.

R&TTE Directive 1999/5/EC

This equipment complies with the essential requirements of EU Directive 1999/5/EC (Declaration available: www.pSIONTEKLOGIX.COM).

Cet équipement est conforme aux principales caractéristiques définies dans la Directive européenne RTTE 1999/5/CE. (Déclaration disponible sur le site: www.pSIONTEKLOGIX.COM).

Die Geräte erfüllen die grundlegenden Anforderungen der RTTE-Richtlinie (1999/5/EG). (Den Wortlaut der Richtlinie finden Sie unter: www.pSIONTEKLOGIX.COM).

Questa apparecchiatura è conforme ai requisiti essenziali della Direttiva Europea R&TTE 1999/5/CE. (Dichiarazione disponibile sul sito: www.pSIONTEKLOGIX.COM).

Este equipo cumple los requisitos principales de la Directiva 1995/5/CE de la UE, “Equipos de Terminales de Radio y Telecomunicaciones”. (Declaración disponible en: www.pSIONTEKLOGIX.COM).

Este equipamento cumpre os requisitos essenciais da Directiva 1999/5/CE do Parlamento Europeu e do Conselho (Directiva RTT). (Declaração disponível no endereço: www.pSIONTEKLOGIX.COM).

Ο εξοπλισμός αυτός πληροί τις βασικές απαιτήσεις της κοινοτικής οδηγίας EU R&TTE 1999/5/EK. (Η δήλωση συμμόρφωσης διατίθεται στη διεύθυνση: www.pSIONTEKLOGIX.COM)

Deze apparatuur voldoet aan de noodzakelijke vereisten van EU-richtlijn betreffende radioapparatuur en telecommunicatie-eindapparatuur 199/5/EG. (verklaring beschikbaar: www.pSIONTEKLOGIX.COM).

Dette udstyr opfylder de Væsentlige krav i EU's direktiv 1999/5/EC om Radio- og teleterminaludstyr. (Erklæring findes på: www.pSIONteklogix.com).

Dette udstyret er i overensstemmelse med hovedkravene i R&TTE-direktivet (1999/5/EC) fra EU. (Erklæring findes på: www.pSIONteklogix.com).

Utrustningen uppfyller kraven för EU-direktivet 1999/5/EC om ansluten teleutrustning och ömsesidigt erkännande av utrustningens överensstämmelse (R&TTE). (Förklaringen finns att läsa på: www.pSIONteklogix.com).


Tämä laite vastaa EU:n radio- ja telepäätelaitedirektiivin (EU R&TTE Directive 1999/5/EC) vaatimuksia. (Julkilausuma nähtävillä osoitteessa: www.pSIONteklogix.com).

PSION TEKLOGIX tímto prohlašuje, že 7535 G2 je ve shodě se základními požadavky a dalšími příslušnými ustanoveními směrnice 1995/5/ES (NV č. 426/2000 Sb.) a Prohlášení o shodě je k dispozici na www.PsionTeklogix.com.

Toto zařízení lze provozovat v České republice na základě generální licence č. GL - 12/R/2000.

PSION TEKLOGIX týmto vyhlasuje, že 7535 G2 splňa základné požiadavky a všetky príslušné ustanovenia Smernice 1995/5/ES (NV č. 443/2001 Z.z.) a Vyhlásenie o zhode je k dispozícii na www.PsionTeklogix.com.

Toto zariadenie je možné prevádzkovať v Slovenskej republike na základe Všeobecného povolenia č. VPR-01/2001.

 Use of the 802.11 7535 G2 in France: Owing to French Government restrictions, the 802.11 7535 G2 is limited to indoor use. They may be used outdoors, on private property, only with prior authorization from the French Ministry of Defense.

FCC Information To Users

Federal Communication Commission Interference Statement

This equipment has been tested and found to comply with the limits for a Class B digital device, pursuant to Part 15 of the FCC Rules. These limits are designed to provide reasonable protection against harmful interference in a residential installation. This equipment generates, uses and can radiate radio frequency energy and, if not installed and used in accordance with the instructions, may cause harmful interference to radio communications. However, there is no guarantee that interference will not occur in a particular installation. If this equipment does cause harmful interference to radio or television reception, which can be determined by turning the equipment off and on, the user is encouraged to try to correct the interference by one of the following measures:

- Reorient or relocate the receiving antenna.
- Increase the separation between the equipment and receiver.
- Connect the equipment into an outlet on a circuit different from that to which the receiver is connected.
- Consult the dealer or an experienced radio/TV technician for help.

This device complies with Part 15 of the FCC Rules. Operation is subject to the following two conditions: (1) This device may not cause harmful interference, and (2) this device must accept any interference received, including interference that may cause undesired operation.

FCC Caution: Any changes or modifications not expressly approved by the party responsible for compliance could void the user's authority to operate this equipment.

IMPORTANT NOTE:

FCC Radiation Exposure Statement:

This equipment complies with FCC radiation exposure limits set forth for an uncontrolled environment under 47 CFR 2.1093 para-

graph (d)(2), for use in a PDA. End users must follow the specific operating instructions for satisfying RF exposure compliance.

This transmitter must not be co-located or operating in conjunction with any other antenna or transmitter.

Some equipment in hospitals and aircraft are not shielded from radio frequency energy. Do not use the 7535 G2 hand-held onboard aircraft, or in hospitals, without first obtaining permission.

Do not use near pacemakers. The product may affect the operation of some medically implanted devices such as pacemakers, causing them to malfunction. Avoid placing your product next to such devices. Keep a minimum distance of 20 cm between the device and the product to reduce the risk of interference. If you have any reason to suspect that interference is taking place, turn off the 7535 G2 hand-held and contact your cardiologist for assistance.

Note: *To maintain compliance with the FCC RF exposure guidelines, if you wear the 7535 G2 on your body, use the Psion Teklogix approved carrying case.*

Use of non-approved accessories may violate FCC RF exposure guidelines.

Emissions Information For Canada

This Class B digital apparatus meets all requirements of the Canadian Interference-Causing Equipment Regulations. When using the 802.11 radio option, to prevent radio interference, this device is intended to be operated indoors and away from windows to provide maximum shielding. Equipment (or its transmit antenna) that is installed outdoors is subject to licensing.

Cet appareil numérique de la classe B respecte toutes les exigences du Règlement sur le matériel brouilleur du Canada. En cas d'utilisation du module radio 802.11, afin d'éviter toute interférence radio avec le service autorisé, l'appareil doit être utilisé à l'intérieur, tout en tant éloigné de toute fenêtre afin de garantir le maximum de protection. Si cet équipement (ou son antenne émettrice) est installé à l'extérieur, il est alors soumis à licence.

Warning to Users

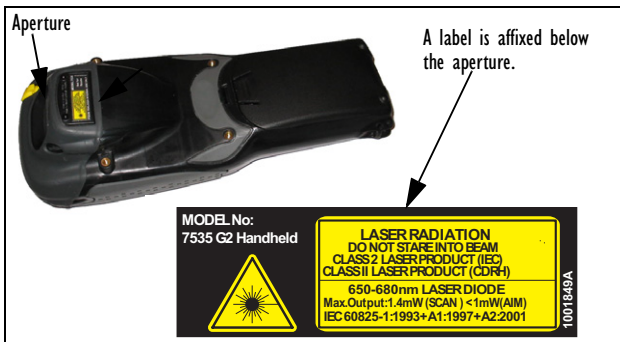
This product is a Class I/Class II laser product according to CDRH 21 CFR 1040.10 and 1040.11 and Class I/Class 2 laser product according to IEC 60825-1:1993+A1:1997+A2:2001

Laser Warnings

For your own safety, it is **critical** that you comply with the following warnings:

Caution!

Do not look into the laser beam or point the beam at people or animals.



Caution!

Using controls or adjustments, or performing procedures other than those specified herein may result in hazardous radiation exposure.

Caution!

The use of optical instruments with this product will increase eye hazard.

Do Not Operate In An Explosive Atmosphere

Operating Psion Teklogix equipment where explosive gas is present may result in an explosion.

Do Not Remove Covers Or Open Enclosures

To avoid injury, the equipment covers and enclosures should only be removed by qualified service personnel. Do not operate the equipment without the covers and enclosures properly installed.

Caution!

Danger of explosion if a 7535 G2 battery is incorrectly handled, charged, disposed of or replaced. Replace only with the same or equivalent type recommended by the manufacturer. Dispose of used batteries according to the instructions described in “The Battery” on page 22. Carefully review all battery safety issues.

Vorsicht!

Explosionsgefahr bei unsachgemäßem Austausch der Batterie
Ersatz nur durch denselben oder einen vom Hersteller empfohlenen gleichwertigen Typ. Entsorgung gebrauchter Batterien nach Angaben des Herstellers.

Lithium-Ion Battery Safety Precautions

Important: *Before charging or using the battery pack, it is critical that the safety information in this section is reviewed and that all warnings are strictly followed.*

Warning: ***BATTERIES ARE CONSIDERED HAZARDOUS WASTE and must be returned to Psion Teklogix for proper disposal. Forward all used batteries to one of:***

Psion Teklogix Inc.
2100 Meadowvale Blvd.
Mississauga, Ontario
Canada
L5N 7J9

Psion Teklogix Corp.
1810 Airport Exchange Blvd.
Suite 500
Erlanger, Kentucky
USA 41018

Psion Teklogix S.A.
La Duranne; 135 Rue Rene Descartes;
BP 421000
13591 Aix-En-Provence
Cedex 3; France

Warning: *TO PREVENT the battery from leaking acid, generating heat or exploding, adhere to precautions below.*

- The battery incorporates built-in safety devices. To ensure their proper function, do not disassemble or alter any parts of the battery.
- Do not short-circuit the battery by directly connecting any of the exposed terminals with metal objects such as wire. Do not transport or store the battery together with metal objects such as necklaces, hair pins, etc.
- Do not dispose of batteries in fire.
- Do not use or leave the battery near a heat source such as a fire or heater.
- Do not immerse the battery in water.
- When charging, use the battery charger specifically designed for the battery.
- Do not pierce, strike, throw or step on the battery.
- Do not directly solder the battery.
- Do not connect the battery to an electrical outlet, vehicle cigarette lighter, etc.
- Do not put battery into a microwave oven or pressurized container.
- Do not use the battery in combination with primary batteries (such as dry-cell batteries) or batteries of different capacities or brands.
- Immediately remove the battery from the device or battery charger and stop use if the battery gives off an odour, generates heat, becomes discoloured or deformed, or in any way appears abnormal during use.
- Do not continue charging the battery if it does not recharge within the specified charge time.
- The battery may burst or ignite if the battery leaks. Always ensure that it is away from any exposed flames.

- If leaking electrolyte sprays into your eyes, rinse them with clean running water, and immediately seek medical attention.
- Do not store the battery in extremely high temperatures (e.g., a vehicle, strong direct sunlight, etc.). This may cause the battery to overheat or ignite, and it may also reduce the performance and service life of the battery.
- Do not use in areas where static electricity is greater than what the manufacturer guarantees.
- Keep batteries out of reach of children.
- Always switch the unit off *before* changing the battery.

Program License Agreements

Microsoft's End User License Agreement

You have acquired a device (“DEVICE”) that includes software licensed by Psion Teklogix Inc. from Microsoft Licensing Inc. or its affiliates (“MS”). Those installed software products of MS origin, as well as associated media, printed materials, and “online” or electronic documentation (“SOFTWARE”) are protected by international intellectual property laws and treaties. The SOFTWARE is licensed, not sold. All rights reserved.

IF YOU DO NOT AGREE TO THIS END USER LICENSE AGREEMENT (“EULA”), DO NOT USE THE DEVICE OR COPY THE SOFTWARE. INSTEAD, PROMPTLY CONTACT PSION TEKLOGIX INC. FOR INSTRUCTIONS ON RETURN OF THE UNUSED DEVICE(S) FOR A REFUND. ANY USE OF THE SOFTWARE, INCLUDING BUT NOT LIMITED TO USE ON THE DEVICE, WILL CONSTITUTE YOUR AGREEMENT TO THIS EULA (OR RATIFICATION OF ANY PREVIOUS CONSENT).

GRANT OF SOFTWARE LICENSE. This EULA grants you the following license:

- You may use the SOFTWARE only on the DEVICE.
- **NOT FAULT TOLERANT.** THE SOFTWARE IS NOT FAULT TOLERANT. PSION TEKLOGIX INC. HAS INDEPENDENTLY DETERMINED HOW TO USE THE SOFTWARE IN THE DEVICE, AND MS HAS RELIED UPON PSION TEKLOGIX INC.

TO CONDUCT SUFFICIENT TESTING TO DETERMINE THAT THE SOFTWARE IS SUITABLE FOR SUCH USE.

- **NO WARRANTIES FOR THE SOFTWARE. THE SOFTWARE is provided “AS IS” and with all faults. THE ENTIRE RISK AS TO SATISFACTORY QUALITY, PERFORMANCE, ACCURACY, AND EFFORT (INCLUDING LACK OF NEGLIGENCE) IS WITH YOU. ALSO, THERE IS NO WARRANTY AGAINST INTERFERENCE WITH YOUR ENJOYMENT OF THE SOFTWARE OR AGAINST INFRINGEMENT. IF YOU HAVE RECEIVED ANY WARRANTIES REGARDING THE DEVICE OR THE SOFTWARE, THOSE WARRANTIES DO NOT ORIGINATE FROM, AND ARE NOT BINDING ON, MS.**
- **Note on Java Support.** The SOFTWARE may contain support for programs written in Java. Java technology is not fault tolerant and is not designed, manufactured, or intended for use or resale as online control equipment in hazardous environments requiring fail-safe performance, such as in the operation of nuclear facilities, aircraft navigation or communication systems, air traffic control, direct life support machines, or weapons systems, in which the failure of Java technology could lead directly to death, personal injury, or severe physical or environmental damage. Sun Microsystems, Inc. has contractually obligated MS to make this disclaimer.
- **No Liability for Certain Damages. EXCEPT AS PROHIBITED BY LAW, MS SHALL HAVE NO LIABILITY FOR ANY INDIRECT, SPECIAL, CONSEQUENTIAL OR INCIDENTAL DAMAGES ARISING FROM OR IN CONNECTION WITH THE USE OR PERFORMANCE OF THE SOFTWARE. THIS LIMITATION SHALL APPLY EVEN IF ANY REMEDY FAILS OF ITS ESSENTIAL PURPOSE. IN NO EVENT SHALL MS BE LIABLE FOR ANY AMOUNT IN EXCESS OF U.S. TWO HUNDRED FIFTY DOLLARS (U.S. \$250.00).**
- **Limitations on Reverse Engineering, Decompilation, and Disassembly.** You may not reverse engineer, decompile, or disassemble the SOFTWARE, except and only to the extent that such activity is expressly permitted by applicable law notwithstanding this limitation.
- **SOFTWARE TRANSFER ALLOWED BUT WITH RESTRICTIONS.** You may permanently transfer rights under this EULA only as part of a permanent sale or transfer of the Device, and only if the

recipient agrees to this EULA. If the SOFTWARE is an upgrade, any transfer must also include all prior versions of the SOFTWARE.

- **EXPORT RESTRICTIONS.** You acknowledge that SOFTWARE is subject to U.S. export jurisdiction. You agree to comply with all applicable international and national laws that apply to the SOFTWARE, including the U.S. Export Administration Regulations, as well as end-user, end-use and destination restrictions issued by U.S. and other governments. For additional information see <http://www.microsoft.com/exporting/>.

Psion Teklogix Inc. End User License Agreement

IMPORTANT - READ CAREFULLY:

This License Agreement (“Agreement”) is a legal agreement between you and Psion Teklogix (“we”), the licensor of this software package (“Software”), for your use of the Software only as authorized in this Agreement.

By clicking on the “Accept” or other appropriate assent button and/or installing the Software, you agree to be and are hereby bound by the terms and conditions of this Agreement. If you do not agree with this Agreement, we do not grant you a license to the Software, and you may not install or use the Software or any accompanying documentation.

The Software is the property of Psion Teklogix Inc. or its licensors and is protected by copyright laws and international copyright treaties, as well as other intellectual property laws and treaties. The Software is licensed, not sold. Psion Teklogix Inc. provides the Software and licenses its use worldwide. You assume responsibility for the selection of the Software to achieve your intended results, and for the use and results obtained from it.

1. GRANT OF LICENSE

We hereby grant you and you hereby accept a non-exclusive, non-transferable, limited license to install and use the Software in object code form only, subject to the terms and restrictions set forth in this Agreement. Except as explicitly set forth below, (i) you are not permitted to copy, sell, lease or rent, distribute or sublicense the Software or to use the Software in a time-sharing arrangement or in any other unauthorized manner; (ii) no license is granted to you in the human readable code of the Software (source code); and (iii) this Agreement does not grant you any rights to patents, copyrights, trade secrets, trademarks, intellectual property or any other ownership rights with respect to the Software.

2. DESCRIPTION OF REQUIREMENTS, RESTRICTIONS, RIGHTS AND LIMITATIONS

- a. **Copy.** The right and license granted to you shall be limited to installation and use of the Software up to but not exceeding the number of copies you have licensed. However, you may make a copy of the Software for backup or archival purposes. You shall not remove any copyright notice or proprietary notices, labels or marks in or on the Software.
- b. **Evaluation.** As part of evaluation, you may install and use the Software only during the specified evaluation period. Unless you register the license as described below, the evaluation license shall expire upon the expiration of the evaluation period.
- c. **License Registration.** You will be required to provide a license ID, unique to each device, for registering your Software license. As part of your software license registration, we will provide you a corresponding license key for each device.
- d. **No Modifications.** You may not modify or create any derivative work of the Software or any copy or portion thereof nor may you remove any Software identification, copyright or other notices.
- e. **No Distribution.** You may not distribute the Software, in whole or in part, to any other third party.
- f. **Virus Program.** You may not develop or knowingly incorporate any virus program that may be harmful to a computer or a network in conjunction with the Software, or use the Software for any other purpose as which may be harmful to a third party.
- g. **Assignment.** You may not assign or transfer the Software to a third party or allow a third party to use the same.
- h. **Reverse Engineering.** Modification, reverse engineering, reverse compiling, disassembly, unbundling or extraction of the Software is expressly prohibited.
- i. **Export Restrictions.** You agree to comply with all applicable laws and regulations and that you will not export or re-export the Software, or any part or copies thereof, or any products utilizing the Software in violation of applicable laws or regulations of the United States or the country in which you obtained them.

3. HIGH RISK ACTIVITIES

The Software is not fault-tolerant and is not designed, manufactured or intended for use or resale as on-line control equipment in hazardous environments requiring fail-safe performance, such as in the operation of nuclear facilities, aircraft navigation or communication systems, air traffic control, direct life support machines, or weapons systems, in which the failure of the Software could lead to death, personal injury, or severe physical or environmental damage (“High Risk Activities”). We specifically disclaim any express or implied warranty of fitness for High Risk Activities.

4. DISCLAIMER OF WARRANTY

We do not warrant uninterrupted or error free operation of the Software nor do we warrant that the Software will meet your requirements. THE SOFTWARE IS PROVIDED “AS-IS” WITHOUT ANY WARRANTY WHATSOEVER AND WITHOUT ANY TECHNICAL SUPPORT OF ANY KIND. WE DISCLAIM ANY AND ALL REPRESENTATIONS, WARRANTIES AND CONDITIONS, WHETHER EXPRESS OR IMPLIED, INCLUDING, BUT NOT LIMITED TO, THE IMPLIED WARRANTIES OR CONDITIONS OF MERCHANTABILITY OR FITNESS FOR A PARTICULAR PURPOSE. WE DO NOT WARRANT OR MAKE ANY REPRESENTATIONS REGARDING THE USE OR THE RESULTS OF THE USE OF THE SOFTWARE IN TERMS OF ITS CORRECTNESS, ACCURACY, RELIABILITY, USE WITH FUTURE PSION TEKLOGIX DEVICES INTRODUCED, OR OTHERWISE. YOU EXPRESSLY ACKNOWLEDGE AND AGREE THAT USE OF THE SOFTWARE IS AT YOUR SOLE RISK AND YOU ARE RESPONSIBLE FOR INSTALLATION OF THE SOFTWARE ON YOUR COMPUTER.

5. LIMITATION OF LIABILITY

We are liable for no more than the value of the license fee that you paid for the Software. This limitation is cumulative and our responsibility for multiple claims will not exceed in aggregate this limit.

Under no circumstances are we or our third party suppliers liable for damages of third parties claimed against you, or for harm to your records or data, or special, incidental, indirect, or consequential damages, including but not limited to lost profits, lost business revenue or failure to realize expected savings, loss of data, loss of use of the Software or any associated equipment, downtime and user's time, even if you informed us of their possibility, or for breach of any express or implied warranty, breach of contract, negligence, strict liability or any other legal theory related to the Software. This limitation

applies whether you are entitled to claim damages from us or our third party suppliers as a matter of contract or tort.

6. COPYRIGHTS, OWNERSHIP AND PROPRIETARY RIGHTS

All title and copyrights in and to the Software, and any copies thereof, are owned by Psion Teklogix Inc. or its suppliers. The Software also contains copyrighted material licensed from our suppliers or obtained from open source and all rights to such copyrighted material rests with such suppliers. Additional third party license terms and conditions may apply. We retain title to the Software and any copies made from it. Any copies of the Software you made are subject to the restrictions of this Agreement.

WE DISCLAIM ALL WARRANTIES AND INDEMNITIES, EXPRESS, IMPLIED OR STATUTORY, FOR PATENT OR COPYRIGHT INFRINGEMENT.

7. CONFIDENTIALITY

You agree not to use or disclose any proprietary information provided by us, except for the purposes of this Agreement. You agree not to reproduce any of the copyrighted materials unless expressly permitted by this Agreement.

8. ENDING THIS AGREEMENT

We may terminate this Agreement and your license immediately without notice if (a) you fail to comply with any term of this Agreement, or (b) your rights are assigned by you, by operation of law or otherwise. In such event, you must return or destroy all copies and component parts of the Software and documentation, as well as any other Psion Teklogix proprietary information in your possession, within fourteen (14) days of the date of termination. Any rights and obligations under this Agreement that by their nature continue after it ends will remain in effect until they are completed.

9. GENERAL

The laws of the Province of Ontario and the federal laws applicable therein, excluding the conflict of laws provisions, govern this Agreement. If any provision of this Agreement is deemed invalid or unenforceable by any country, that particular provision will be deemed modified to the extent necessary to make the provision valid and enforceable, and the remaining provisions will remain in full force and effect. Failure by us to insist on strict performance or to exercise a right when entitled, does not prevent us from doing so at a later time, either in relation to that default or any subsequent one.

No modifications of this Agreement shall be effective unless in writing and approved by us.

You acknowledge that you have read this Agreement, understand it, and that it is the complete agreement between you and Psion Teklogix with respect to the subject matter hereof and supersedes all prior agreements, oral or written.

I. Basic Preparation

Important: *All approval and safety information is outlined in the ‘7535 G2 Hand-Held Computer User Manual’ – part number 8000075. It is important that you review all safety guidelines before charging a battery or operating a scanner.*

This quick start guide provides basic information on the operation and features of the Psion Teklogix 7535 G2 hand-held computer. For more detailed information, refer to the *7535 G2 Hand-Held Computer User Manual*, the online help, or the documentation supplied with the application you are using.

Typically, 7535 G2 hand-helds are configured at the factory and arrive ready for use. Although the 7535 G2 is equipped with an internal Compact Flash and SD I/O slot, these slots are not intended for user modification. If a device needs to be changed or added in these slots, contact qualified Psion Teklogix personnel.

I.1 Charging The Battery

Batteries shipped from the factory are not charged. They must be fully charged prior to use. Full capacity may not be reached until at least 5 full charge/discharge cycles have been performed.

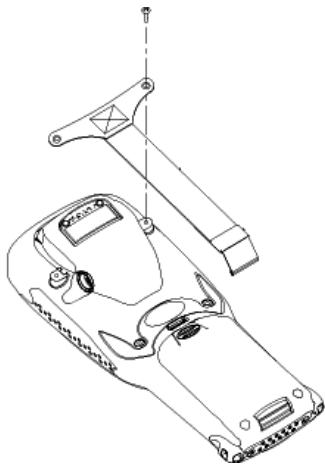
Batteries can be charged using a variety of chargers and docking stations. Refer to *‘Peripheral Devices And Accessories’* in the *7535 G2 Hand-Held Computer User Manual* (PN 8000075) for details about the chargers and docking stations recommended for your hand-held.

I.2 Attaching The Hand Strap

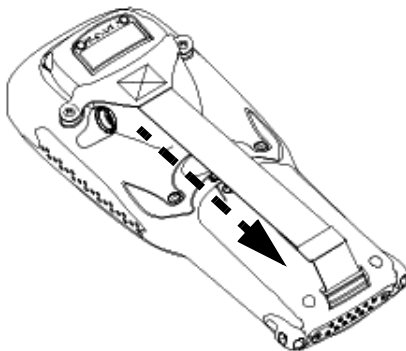
Important: *Do not use adhesives such as Loctite to secure the screws on the carrying accessories. These chemicals may damage the plastic casing.*

Two Phillips head screws are provided with the hand strap.

- Use a Phillips screwdriver to attach the strap to the two threaded inserts at the back of the 7535 G2 at the top of the unit.



- Stretch the handstrap toward the base of the 7535 G2, and hook the bottom of the handstrap into the slot near the base of the battery pack.

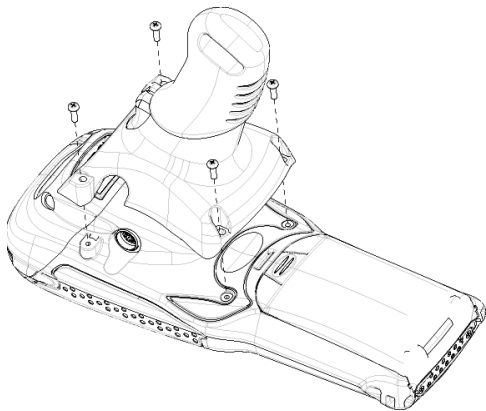


1.3 Attaching A Pistol Grip

The pistol grip is attached to the back of the 7535 G2 using the four threaded inserts in the upper part of the 7535 G2 casing. Four black #4-40 Phillips head screws are provided with this accessory.

Note: *Prior to installation, make sure the trigger mechanism is securely snapped into the pistol grip body and that the trigger operates properly.*

- Position the pistol grip so that it fits snugly over the back of the unit and the inserts on the back of the 7535 G2 align with the holes in the pistol grip.



- Use a Phillips screwdriver to securely fasten the pistol grip to the back of the 7535 G2.

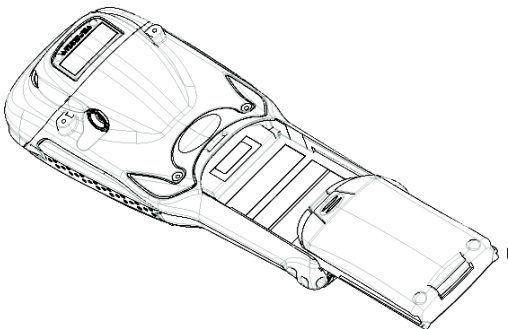
1.4 The Battery

Important: *It is critical that you review “Lithium-Ion Battery Safety Precautions” on page 9 before handling a 7535 G2 battery.*

The 7535 G2 hand-held operates with a Lithium-Ion battery pack. Preparing the hand-held unit for operation requires that a battery pack be charged and installed in the unit.

1.4.1 Installing The Battery

- Slide the **charged** battery with the contoured plastic facing you into the 7535 G2.
- Click the battery into place.



1.4.2 Battery Swap And Runtime

Important: Always switch the unit off before changing the battery. While the battery is being replaced, the 7535 G2 will save its current data for at least 20 minutes.

The 7535 G2 battery will operate for 8 hours under typical operating conditions after a full charge. Typical battery life is 300 charge cycles or 2 years average use. A full charge is completed in 4 hours with a typical charge time of 1.5 hours.

1.5 Switching The 7535 G2 On

- Press and hold down [ENTER] for at least one second.
- When all four LEDs flash yellow, release the [ENTER] key.

A splash screen displaying the Psion Teklogix logo and the Windows CE logo appears followed by the startup desktop.

Note: *If the 7535 G2 is in suspend state, pressing [ENTER] ‘wakes’ the unit from this state. The screen in which you were working before the computer entered suspend state is displayed.*

1.6 Switching The 7535 G2 Off

Important: *Keep in mind that turning off the 7535 G2 does not result in a complete reboot; rather, the unit enters a power-saving, “suspend” state. When the hand-held is turned on from suspend state, operation resumes within a few seconds.*

To switch off the 7535 G2:

- Press the [BLUE] key, and then press the [ENTER] key.

Important: *If the word ‘BLUE’ is displayed in uppercase in the taskbar area at the bottom of the screen, this key is locked “on”—the 7535 G2 will not switch off. Press the [BLUE] key again to unlock it; then press [BLUE] [ENTER] to switch the 7535 G2 off.*

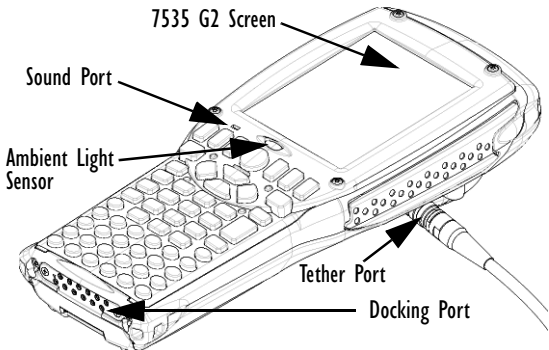
If the ‘BLUE’ option is enabled in the ‘One Shots’ dialog box (accessible through the ‘Keyboard’ Control Panel icon) the 7535 G2 can be turned off when the [BLUE] key is locked on.

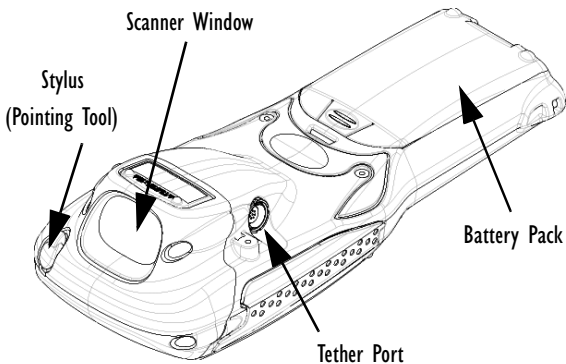
1.7 Connecting To An 802.11 Network

In most cases, the 7535 G2 must be configured before it can connect to an 802.11 wireless network. Chapter 2, Section 2.2.2, “Configuring An IEEE 802.11 Radio Installed In The 7535 G2” in the *7535 G2 Hand-Held Computer User Manual* (PN 8000075) describes this configuration process. Once the 7535 G2 is properly configured, it automatically connects to your wireless network within a few moments of switching on. A radio icon in the taskbar indicates a successful network connection along with the quality of the radio reception.

2. Getting To Know Your 7535 G2

2.1 7535 G2 Features





2.2 The Keyboard

Note: Refer to “Navigating Using The Keyboard” on page 42 for details about using keys to move around Windows CE.

The 7535 G2 offers two types of keyboard layouts—a 58-key keyboard and a 36-key, large button keyboard.

The [BLUE] and [ORANGE] modifier keys provide access to additional keys and system functions. These functions are colour coded in *orange* and *blue* print above the keyboard keys.

2.2.1 Modifier Keys

The [SHIFT], [CTRL], [ALT], [BLUE] and [ORANGE] keys are *modifier* keys. Pressing a modifier key changes the function of the next key pressed. For example, on a 58-key keyboard, a square bracket is printed in *orange* print above the [4] key. Pressing the [ORANGE] key followed by the [4] key displays a square bracket rather than the number 4.

The [SHIFT], [CTRL] and [ALT] keys operate much like a desktop keyboard except that they are not chorded (two keys held down simultaneously). The modifier key must be pressed first followed by the key whose function you want modified.

Activating Modifier Keys

When a modifier key is pressed once, it is displayed in lowercase letters in the taskbar at the bottom of the 7535 G2 screen. For example, if the [CTRL] key is pressed, `ctrl` key is displayed at the bottom of the unit screen. Once the next key is pressed, the modifier key becomes inactive and disappears from the taskbar.

Locking Modifier Keys

When a modifier key is pressed twice, it is ‘locked’ on. A ‘locked’ modifier key is displayed in uppercase letters in the taskbar. For example, pressing the [BLUE] key twice locks it on—it is displayed as `BLUE KEY` in the taskbar at the bottom of the computer screen.

The locked modifier key will remain active until it is pressed a third time to unlock or turn it off.

2.2.2 The Keys

The [SHIFT] Key

Used to display uppercase alpha characters and provide access to the symbols above the numeric keys.

The Arrow Keys

Move the cursor around the screen in the direction of the arrow—up, down, left and right.

The [BKSP/DEL] Key

Moves the cursor one character to the left, erasing the incorrectly-entered key stroke.

[DEL] key ([BLUE] [BKSP]) erases the character at the cursor position.

The [CTRL] And [ALT] Key

Modify the function of the next key pressed and are application-dependent.

The [TAB] Key

Usually moves the cursor to the next field to the right or downward.

The [ESC] Key

Generally used as a keyboard shortcut to close the current menu, dialog box or activity and return to the previous one.

The [SPACE] Key

Inserts a blank space between characters. In a Windows dialog box, the [SPACE] key enables or disables a checkbox.

The [SCAN] Key

Activates the scanner beam while pressed. For units without internal scanners, pressing this key has no affect.

2.2.3 The 58-Key Keyboard

In addition to alphanumeric keys that are directly accessible on the keyboard (no key combination is required) and the keys described in this chapter, the 58-key keyboard also provides function keys and macro keys. They can be custom-defined for each application.

2.2.4 The 36-Key Keyboard

On 36-key 7535 G2s, all alpha characters are printed on the unit plastic in orange typeface above the numeric keys. An indicator in the left corner of the taskbar displays the currently selected character. To access an alpha character, first press the [ORANGE] key and then press the numeric key above which the alpha character you want to type is printed.

Choosing A Single Alpha Character

Note: *The following examples assume that the [ORANGE] key is enabled as 'Lock' mode in the 'One Shot' screen (accessible through the Control Panel 'Keyboard' icon). In 'Lock' mode, pressing the [ORANGE] key once locks it 'on'.*

The examples below illustrate how to access A, B and C, all of which are printed in *orange* characters above the numeric key, [2].

To choose the letter 'a':

- Press the [ORANGE] key, and press the numeric key [2].
- Press the [ORANGE] key again to unlock or turn it off.

To choose the letter 'b':

- Press the [ORANGE] key, and press [2] twice.
- Press the [ORANGE] key again to unlock or turn it off.

To choose the letter 'c':

- Press the [ORANGE] key, and press [2] three times.
- Press the [ORANGE] key again to unlock or turn it off.

Creating Uppercase Letters

To display a capital letter:

- Press the [ORANGE] key and then the [SHIFT] key before typing the alpha character.

Note: *If you want to use uppercase characters at all times, press [BLUE] [SHIFT]. An icon of an uppercase 'A' is displayed in the taskbar indicating that all letters will be displayed as uppercase characters.*

Choosing Multiple Characters From The Same Key

If you need to choose more than one alpha character from a single key, you'll need to press the 'Accept' key between alpha selections. The 'Accept' key is presented as an arrow \Rightarrow symbol above the '0' (zero) key.

For example, suppose you want to type the letters ‘a’, ‘b’ and ‘c’. These letters are all accessible from the numeric key, [2].

To type the letter ‘a’:

- Press the [ORANGE] key, and then press the numeric key, [2].
- Press the ‘Accept’ key [⇒] (zero key) to indicate that the letter ‘a’ should be accepted and that another letter from the same key will be chosen.

To type the letter ‘b’:

- Press the [2] key twice, and press [⇒] to accept the letter ‘b’.

To type the letter ‘c’:

- Press the [2] key three times.

When you have completed your alpha selections *from this key*, you can do one of the following:

- If you want to choose additional alpha characters from **another** key(s), leave the [ORANGE] key ‘on’, and press the numeric key with the alpha character you require, **or**
- If you **do not** want to choose any additional alpha characters, press [ORANGE] again to unlock or turn ‘off’ the key and end alpha selection.

Choosing Multiple Characters From A Range Of Keys

If you plan on choosing alpha characters from a number of different keys, you are **not** required to press the ‘Accept’ [⇒] key after each alpha selection. The [⇒] key is only required when you are choosing more than one alpha character from the **same** key—e.g., ‘a’, ‘b’ and ‘c’ from the [2] key.

Suppose you want to type the letters ‘a’, ‘d’ and ‘g’. These alpha characters are accessed from the numeric keys [2], [3] and [4].

- With the [ORANGE] key locked ‘on’, press [2] to type the letter ‘a’.
- Press [3] to type ‘d’, and press [4] to type the letter ‘g’.
- To end alpha selection, press the [ORANGE] key again to unlock it.

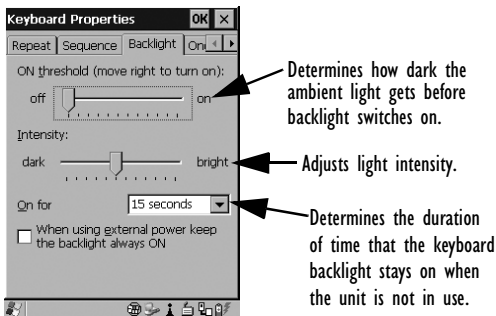
2.2.5 Adjusting The Keypad Backlight

To adjust the intensity of the keypad backlight and the conditions under which this backlight is activated.

- In the *Control Panel*, choose the **Keyboard** icon.

Note: Access may be restricted to supervisory use.

- In the *Keyboard Properties* dialog box, open the **Backlight** tab.



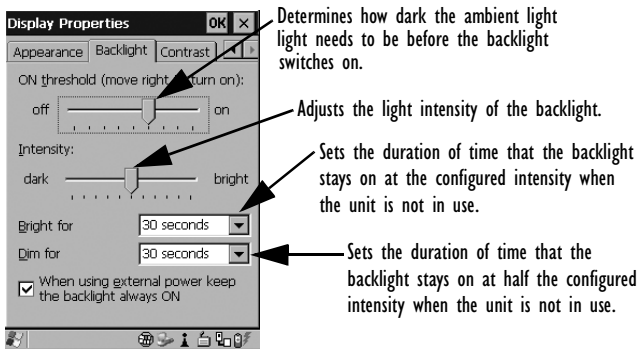
2.3 The Display

7535 G2s are equipped with display backlighting to improve character visibility in low light conditions. The backlight switches on when a key is pressed and the ambient light is below the set threshold. The contrast can also be adjusted to further improve character visibility.

2.3.1 Adjusting The Display Backlight



- In the Windows CE *Control Panel*, choose the **Display** icon and select the **Backlight** tab.

Note: *Keep in mind that this option may be restricted to supervisory use only.*



2.3.2 Adjusting The Contrast

The display contrast can be adjusted from the unit keyboard using the [BLUE] key and function keys [F1] and [F2].

- Press the [BLUE] key twice to lock it on, and then press [F1]  to darken or [F2]  to lighten the display.
- When you're satisfied with the contrast adjustment, press [BLUE] again.

2.3.3 Calibrating The Touchscreen

Note: *This function may be restricted to supervisory use.*

If your 7535 G2 touchscreen has never been calibrated or if you find that the stylus pointer is not accurate when you tap on an item:

- In the *Control Panel*, choose the **Stylus** icon, and select the **Calibration** tab, and then choose the [Recalibrate] button.



- Follow the onscreen directions to calibrate the display.

2.4 7535 G2 Indicators

7535 G2s use LEDs (Light Emitting Diodes), onscreen messages and audio tones as indicators.

2.4.1 LEDs

The 7535 G2 is equipped with four tri-coloured LEDs. This section outlines what these LEDs indicate.

Important: *If an LED is illuminated in red, the operator should be cautious as this generally indicates an abnormal operating condition or active laser emission.*



Charge LED

The lower-right LED is reserved for internal charger/power status..

Function	Charge LED Behaviour
External power not available.	LED off.
Fully charged to within 95% of charge capacity.	LED displays solid green colour.
Quick charge successfully completed to within 75% of charge capacity.	LED flashes slow green.
Charge in progress.	LED displays solid yellow colour.
Cell temperature out of range for charge.	LED flashes yellow.
Unable to charge battery.	LED displays solid red colour.
Charge circuit failure.	LED flashes fast red.

Radio Traffic LED

The upper-left LED on your 7535 G2 flashes either orange (transmit) or green (receive).

Note: *Keep in mind that while the standard 802.11.g radio supports the transmit/receive LED, not all radios support this function.*

Scan LED

Successful scans are indicated in two ways—with a scan LED and with an audio tone.

Function	Scan LED Behaviour
Scan in progress	LED displays solid red during scan.
Successful scan	LED displays solid green after decode. Off when scan ended.
Unsuccessful scan	LED flashes red.

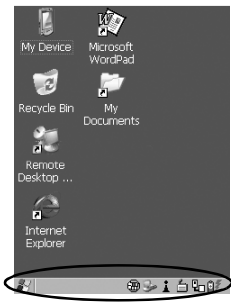
User Application LED

The behaviour of the user application LED is dependent on the application program installed in your 7535 G2. Your supervisor will be able to explain how this LED behaves with your application.

2.4.2 Onscreen Indicators

The taskbar at the bottom of the screen displays a variety of system status indicators.

Note: *If you double-tap a taskbar icon (touchscreen) or use the keys to access the system tray, more information is displayed in a dialog box.*



The taskbar changes dynamically, and only those icons that are applicable are displayed. For example, if a radio is not installed in your 7535 G2, the radio signal icon is not displayed in the taskbar.

Windows Start Button

The Windows *Start* button in the taskbar displays the *Start Menu*. Keep in mind that this button is visible only if the configuration of the computer allows it. Keep in mind also that operator access to *Start Menu* options may be very limited depending on the security setting assigned to the computer.



Modifier Key Indicators

[SHIFT], [CTRL], [ALT], [BLUE] and [ORANGE] are modifier keys that have onscreen indicators to show when a key is active or locked.

If a modifier key is pressed once to activate it, the key is displayed in the taskbar in *lowercase* characters. If a modifier key is pressed

twice, it is 'locked on' and the onscreen indicator is displayed in *uppercase* letters in the taskbar.

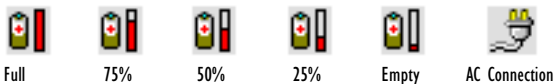
blue
key BLUE
KEY

Battery Gauge

The battery-shaped icon displayed in the taskbar provides a visual indication of the remaining battery power.

When the battery level is low—approximately 15 minutes from empty—a warning window pops up. When the battery power is completely depleted, a final warning window indicates that the 7535 G2 will be powered down.

If the 7535 G2 is using external AC power, an AC icon is displayed.



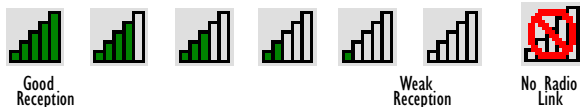
Battery Charge

The battery charge icon is displayed in the taskbar when the 7535 G2 hand-held battery is being charged.



Radio Signal Quality

Increasing radio signal quality is represented by longer, filled bars within this icon.



Tethered Devices

When a peripheral is attached to the tether port and activated, an associated icon appears in the taskbar.



Scanner



USB Device



RFID



Serial Device

Docking Device

When a 7535 G2 is inserted in a docking station, charger or cradle, an associated icon like some of the samples below appears in the taskbar.



Combo Charger &
Combo Docking Station



Quad Docking Station



Power Cradle



Portable Docking
Module (PDM)

Security Level

Security levels can be set to limit access and prevent inadvertent changes to application settings.



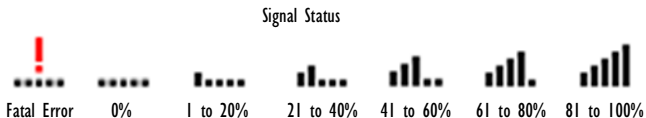
Bluetooth Radio

This icon indicates that the Bluetooth radio installed in your unit is enabled.



Wireless WAN

These icons provide access to and information about the 7535 G2 GSM/GPRS (if your unit is equipped with a GSM radio).





2.4.3 Audio Indicators

The 7535 G2 beeper provides a variety of sounds and can be configured to emit a sound under a variety of conditions. Refer to ‘Volume Adjustment’ in Chapter 5 of the *7535 G2 Hand-Held Computer User Manual* for details about determining when your unit will beep.

Adjusting The Beeper Volume

The volume function keys located along the top of the keyboard are used to adjust the beeper volume emitted from your 7535 G2.

The *increase volume* function key is labelled with a plus sign  and the *decrease volume* function key is labelled with a minus sign .

To adjust the beeper volume:

- Press the [BLUE] key twice to lock it ‘on’.
- Press the *increase volume* function key or the *decrease volume* function key until the volume meets your needs.
- Press the [BLUE] key again to ‘unlock’ it.

2.5 Monitoring The Network Connection

If your hand-held is equipped with a wireless LAN radio, it will typically associate with the nearest access point. The radio signal

quality meter in the taskbar indicates the relative strength of the communication link.

To access the radio signal icon from the keyboard:

- Press [BLUE] [0]. Choose **Shortcuts>System Tray** from the *Start Menu*.
- Use the arrow keys to highlight the radio signal icon in the taskbar.
- Press [ENTER] to display the radio quality dialog box.

If you're using a touchscreen:

- Tap on the radio icon in the taskbar to display the radio quality dialog box.

Note: *Moving in and out of the radio coverage area can have varying effects on a network session. At times, you may need to renew your connection by logging in again.*

2.6 Checking The Scanner

If your 7535 G2 is equipped with an internal scanner, you can test it to ensure that it is operating properly. Point the scanner window at a bar code that your scanner was designed to decode – for example, a 1D UPC bar code or 2D bar code. Press the SCAN button or the pistol trigger, and check for a valid decode on the hand-held screen.

2.6.1 Scanning Techniques

Note: *The scanning techniques described here apply to internal and external scanners.*

- Hold the scanner at an angle. Do not hold it perpendicular to the bar code.
- Do *not* hold the scanner directly over the bar code. In this position, light can reflect back into the scanner's exit window and prevent a successful decode.
- Scan the entire bar code. If you are using a 1D or 2D scanner, make certain that the scan beam crosses every bar and space

on the bar code, including the margins on either end of the symbol.

- If you are using a 2D imaging scanner, make certain the red, oval-shaped framing mark is centered within the bar code you want to scan.
- When using imaging scanners, do not move the scanner while decoding the bar code. Movement blurs the image.
- Hold the scanner farther away for larger bar codes.
- Hold the scanner closer for bar codes with bars that are close together.

2.6.2 Scan LED Indicators

The 7535 G2 scanner LED (the lower-left LED) indicates whether or not your scan is successful. The LED behaves as follows:

- Scan In Progress: scan LED displays solid red colour.
- Successful Scan: scan LED displays solid green colour and turns off when the scan is ended.
- Unsuccessful scan: scan LED flashes red.

A bar code icon appears on the screen during a scan. While the scanner beam is active, the onscreen message states—SCANNING. If the scan is successful, the bar code data is displayed on the screen until the scan button (or pistol trigger) is released.

Note: *If you prefer not to display the ‘SCANNING’ message and/or the bar code data on the screen, these options can be disabled using the ‘Scan Indication’ and ‘Scan Result’ parameters, respectively. Refer to the user guide provided with your unit for details about these parameters.*

3. Navigating In Windows CE

Graphic user interfaces like Windows CE for portable devices and desktop Windows (2000, XP, etc.) utilize ‘point and click’ navigation. On 7535 G2s, the ‘point and click’ action is accomplished by tapping the stylus on the touchscreen rather than using a mouse.

An equivalent keyboard shortcut is also available for every ‘point and click’ action. Actions can be performed using any combination of keyboard shortcuts or touchscreen tapping (provided your unit is equipped with a touchscreen).

3.1 Navigating A Touchscreen

Note: *If the touchscreen is not registering your screen taps accurately, it may need recalibration. Refer to “Calibrating The Touchscreen” on page 33.*

The touchscreen is an *optional* feature. A 7535 G2 equipped with a touchscreen has a *stylus*—a pointing tool that looks like a pen—stored in a slot at the top of the unit. It is used to select objects on the touchscreen.

Note: *To prevent damage to the touchscreen, use only the stylus (pen) supplied with your 7535 G2.*

To open a file, launch an applet or open a folder:

- Double-tap on the appropriate icon.

3.2 Navigating Using The Keyboard

Note: *Refer to “The Keyboard” on page 26 for more detail about the keyboard keys.*

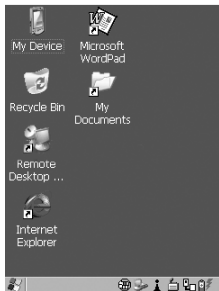
If your 7535 G2 has a standard screen (rather than a touchscreen), choosing icons and navigating dialog boxes, displaying the desktop, and so on requires keyboard input.

Keep in mind that unlike a desktop computer, the 7535 G2 does not support key chording (pressing two keys at the same time). You must press one key followed by the next in sequence.

Operation	Key or Key Combination
Switch between applications	[ALT] [TAB]
Open the task manager screen	[ALT] [ESC]
Move the cursor	Arrow keys
Open file, folder or icon	[ENTER]
Exit & Save	[ENTER]
Close/Exit & Do Not Save	[ESC]
Navigate Dialog Boxes	[TAB] To move cursor up: [SHIFT][TAB] To display the next 'tab' in a dialog box: [CTRL][TAB]
Select Radio Button/ Press Button	[SPACE]
Go to Start Menu	[BLUE][0]

3.3 The Startup Desktop

When the 7535 G2 boots up, the startup desktop is displayed. Any applications stored in the Startup folder will start up immediately. The Startup folder is located in \Windows\Startup and \Flash Disk\Startup.



3.3.1 Accessing Desktop Icons

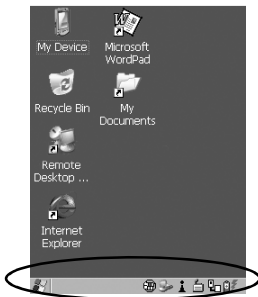
- Use the arrow keys to highlight the icon, and press [ENTER] to launch the highlighted icon.

Note: *If the arrow keys do not highlight the desktop icons, the desktop may not be selected. Press [BLUE] 0 (zero) to display the Start Menu, and choose Desktop. Now the desktop will be “in focus” and the arrow keys will highlight the icons.*

If you're using a touchscreen:

- Tap the icon to select it, or double-tap on it to open a window or, in the case of an application icon, launch an application.

3.3.2 The Taskbar



The 7535 G2 is equipped with a taskbar at the bottom of the screen. It displays icons through which you can view the security level, battery capacity and radio signal quality of your unit. A 7535 G2 attached to a charger, cradle, docking station or PDM displays the associated icon.

The taskbar also displays active modifier keys—[SHIFT], [ALT], [CTRL], [BLUE] and [ORANGE]. Keys that have been locked “on” are displayed in *uppercase* letters.

Using The Taskbar

- Press [BLUE] [0] to display the *Start Menu*.
- Press the [DOWN] arrow key to highlight the Shortcut menu. Press the [RIGHT] arrow key to display the sub-menu. Type [Y] to choose *System Tray* from the menu.
- Press the [LEFT] and [RIGHT] arrow keys to highlight the icon in the taskbar about which you’d like more information.

A *tooltip* is displayed as each taskbar icon is highlighted. The tooltip provides the status of each icon.

- Press [ENTER] to display the associated dialog box.

If you're using a touchscreen:

- Tap and hold the stylus on an icon to display the icon's tooltip. Double-tap the icon to open the *Control Panel* dialog box associated with the icon.

3.4 The Start Menu

The *Start Menu* lists operations you can access and work with. It is available from the startup desktop or from within any application.

To display the menu:

- Press [BLUE] [0] (zero).



- Use the arrow keys to highlight a menu item, and press [ENTER], *or*

If the menu item has an underlined character:

- Type the underlined alpha character—for example, to display Security, type the letter **s**.

If you're using a touchscreen:

- Tap on the **Start** button in the taskbar. Tap on the item in the menu with which you want to work.

The Desktop

Choosing **D**esktop from the *Start Menu* displays the 7535 G2 desktop.

Security Settings

To assign a security level:

- Choose **S**ecurity from the *Start Menu*.



- Choose a security level from the dialog box. To allow access to all the *Start Menu* and taskbar options, choose the *Supervisor* security level.
- Type the appropriate password in the *Password:* text box, and press [ENTER].

To change the password:

Note: *Keep in mind that this is the same password as that assigned through the Password control panel applet.*

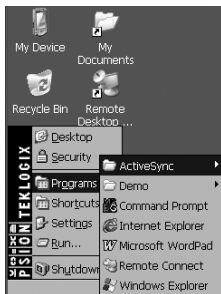
- Choose a **security level**, and enter the existing password in the **Password** field.
- Choose the [Set Password] button.

In the *Password Properties* dialog box:

- Type the new password in the **Password:** text box, and retype the new password in the **Confirm Password:** text box.

Programs

The *Programs* menu contains a sub-menu of programs available on your hand-held.



Shortcuts

Choosing *Shortcuts* provides access to the *System Tray*, *Cycle Tasks* and the *Task Manager*.



The System Tray

The *System Tray* option allows access to the icons in the taskbar at the bottom of the screen. The taskbar displays indicators such as a battery capacity gauge and the security level. These indicators are attached to dialog boxes that provide additional information.

- Choose **System Tray** from the *Start Menu*.

When *System Tray* is chosen, the taskbar icons become accessible. To display the dialog box attached to an icon:

- Use the [LEFT] and [RIGHT] arrow keys to highlight an icon—for example, the security icon.
- Press [ENTER] to display the security level dialog box.

If you're using a touchscreen, you don't need to use *System Tray*: You have direct access to the icons in the taskbar.

- Tap on the icon with which you want to work. The associated dialog box is displayed.

Cycle Tasks

When *Cycle Tasks* is selected (and the Task Manager is not open), you can cycle through active applications.

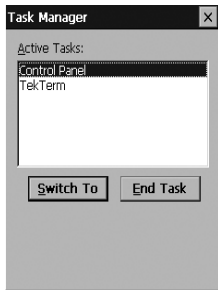
- Press [BLUE] [0] (zero) [T] [C] to cycle to the next active task, **or**
Press [ALT][TAB].

The Task Manager

The *Task Manager* option allows you to switch to another task or to end an active task. To display the task manager window:

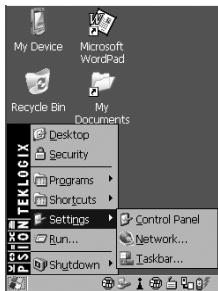
- Press [BLUE] [0] (zero) [T] [T], **or**

Press [ALT][ESC].



Settings

The *Settings* menu provides access to the *Control Panel* applets, lets you configure your radio (*Network and Dial-up Connections*) and customize the *Taskbar and Start Menu*.

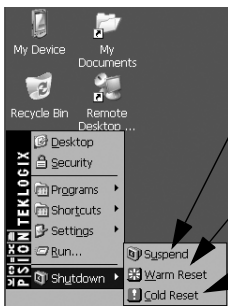


Run

Choosing the Run option displays a dialog box in which you can enter the name of the program, folder or document you want to open.



Shutdown



Suspends the 7535 G2 immediately — equivalent to turning the unit off.

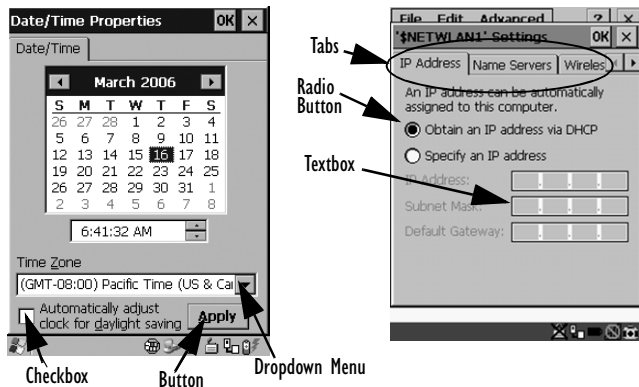
Resets the 7535 G2, leaving all saved files and (registry) settings intact. Unsaved data is lost.

Resets the 7535 G2. Files stored outside of permanent memory are lost.

Note: The Shutdown menu varies depending on the security level chosen. At 'Supervisor' security level, a sub-menu like the one in the sample screen is displayed. At 'User' security level, choosing 'Suspend' causes the computer to shut down immediately. A sub-menu is not available.

3.5 Using A Dialog Box

A dialog box appears when you need to make selections and enter further information.



Important: *If you're using a touchscreen, use the stylus to tap on an element in a dialog box to select or deselect it, display dropdown menus, save your selections, and so on. If you're using a keyboard, follow the directions below.*

Dialog boxes contain one or more of the following elements:

Tab: A tab separates different elements of a dialog box. Press the [TAB] key until a tab in the dialog box is highlighted. To display adjoining tabs, press the [RIGHT] or [LEFT] arrow key.

To display the information in the next tab from anywhere in the window, press [CTRL] [TAB].

Textbox: A textbox requires that you type information. Press the [TAB] key to highlight the textbox and then type the appropriate information.

Dropdown: This type of menu is identified by up and down arrows next to the dropdown menu to indicate that additional options are available. Press the [TAB] key to highlight the menu, and use the arrow keys on your keyboard to cycle through the options.

Checkbox: This box allows you to select or deselect an option. To select or deselect a checkbox, press the [TAB] key to highlight the checkbox, and press the [SPACE] key to select or deselect it.

Radio buttons: These buttons allow you to choose from a number of options. For example, in the sample screen under section 3.5 on page 52, you can choose to ‘Obtain an IP address via DHCP’ or ‘Specify an IP address’. Press the [TAB] key to highlight a radio button option, and then select a radio button by pressing the arrow keys to highlight the appropriate option.

Buttons: This type of button allows you to ‘Save’, ‘Delete’ and so on the options you’ve chosen in a dialog box. Use the [TAB] key to highlight the button you want to use. Press the [ENTER] key to activate it.

Saving Your Choices: Once you’ve made all your changes, press the [ENTER] key to save your changes and exit the window.

Note: *A dialog box item that is displayed in grey text indicates that it is not currently available.*

4. Scanner Specifications

4.1 SE 1200HP, LR & ALR

Parameter	SE 1200HP	SE 1200LR	SE 1200ALR
Type	Laser Class 2	Laser Class 2	Laser Class 2
Light Source	Visible laser diode 650 nm	Visible laser diode 650 nm	Visible laser diode 650 nm
Output Power	0.83 mW	1.33 mW	1.35 mW
Scan Patterns	Linear	Linear	Linear
Scan Angle/ Field of View	42° ± 2°	23° ± 2°	13° ± 2°
Symbologies Supported	Most linear codes	Most linear codes	Most linear codes

4.2 SE 1224HP, SE 2223 PDF & SE 1524ER

Parameter	SE 1224HP	SE 2223 PDF	SE 1524ER
Type	Laser Class 2	Laser Class 2	Laser Class 2
Light Source	Visible laser diode 650 nm	Visible laser diode 650 nm	Visible laser diode 650 nm
Output Power	1.35 mW	0.86 mW	1.26 mW
Scan Patterns	Linear	Linear & smart raster	Linear
Scan Angle/ Field of View	42° typical, 30° narrow	34° horizontal, 12.5° vertical	13.5° ± 0.7°
Symbologies Supported	Most linear codes	Most linear codes & PDF417, Micro PDF, composites	Most linear codes

4.3 EV15 & SX5303

Parameter	EV15	SX5303
Type	Imager LED Class 1	Imager LED Class 1
Light Source	Visible LED 617 nm	Visible LED 623 nm
Scan Patterns	Linear	Image capture field
Scan Angle/ Field of View	40°	26cm x 21cm @ 15cm
Symbologies Supported	Most linear codes, PDF417 & MicroPDF417	Most linear codes & most 2D codes

5. General Maintenance

5.1 Caring For The Touchscreen

The top of the touchscreen is a thin, flexible polyester plastic sheet with a conductive coating on the inside. The polyester can be permanently damaged by harsh chemicals and is susceptible to abrasions and scratches. Using sharp objects on the touchscreen can scratch or cut the plastic, or crack the internal conductive coating.

Protect the touchscreen from the following chemicals:

- mustard, ketchup etc.,
- sodium hydroxide,
- concentrated caustic solutions,
- benzyl alcohol, and
- concentrated acids.

If touchscreens are used in harsh environments, apply disposable screen protectors (PN HU6110). They reduce the clarity of the display slightly but will dramatically extend the life of the touchscreen. When they become damaged, they are easily removed and replaced.

5.2 Cleaning The 7535 G2

Important: *Do not immerse the unit in water. Dampen a soft cloth with mild detergent to wipe the unit clean.*

- Use **only** mild detergent or soapy water to clean the hand-held unit.
- Avoid abrasive cleaners, solvents or strong chemicals for cleaning. The 7535 G2 has a plastic case that is susceptible to harsh chemicals. The plastic is partially soluble in oils, mineral spirits and gasoline. The plastic slowly decomposes in strong alkaline solutions.

To clean ink marks from the units keypad and touchscreen, use isopropyl alcohol.

6. Support Services & Worldwide Offices

Psion Teklogix provides a complete range of product support services to its customers worldwide. These services include technical support and product repairs.

6.1 Technical Support

Technical Support for Mobile Computing Products is provided via e-mail through the Psion Teklogix customer and partner extranets. To reach the website, go to www.pSIONteklogix.com and click on the appropriate Teknet link on the home page. Then click on the “Log-in” button or the “Register” button, depending on whether you have previously registered for Teknet. Once you have logged in, search for the “Support Request Form”.

6.2 Product Repairs

International

For technical support outside of Canada or the U.S.A., please contact your local Psion Teklogix office listed on our worldwide website:

www.pSIONteklogix.com

Click on the heading labelled “Contacts” to choose a Psion Teklogix technical support representative closest to you.

Canada/U.S.A

Canadian and U.S. customers can receive access to repair services by calling the toll-free number below or through our secure website (see “Technical Support” on page 56).

***Note:** Before calling the toll-free number, have your Psion Teklogix customer number or trouble ticket number available.*

Voice: 1 800 387-8898 (press option “2”)

Fax: 1 905 812-6304

6.3 Worldwide Offices

COMPANY HEADQUARTERS AND CANADIAN SERVICE CENTRE

Psion Teklogix Inc.

2100 Meadowvale Blvd.

Mississauga, Ontario

Canada L5N 7J9

Tel: +1 905 813 9900

Fax: +1 905 812 6300

E-mail: salescdn@psion.com

NORTH AMERICAN HEADQUARTERS AND U.S. SERVICE CENTRE

Psion Teklogix Corp.
1810 Airport Exchange Boulevard
Suite 500
Erlanger, Kentucky
USA 41018
Tel: +1 859 371 6006
Fax: +1 859 371 6422
E-mail: salesusa@psion.com

INTERNATIONAL SUBSIDIARIES (SEE ALSO WWW.PSIONTEKLOGIX.COM)

Psion Teklogix S.A.
La Duranne
135 Rue Rene Descartes
BP 421000
13591 Aix-En-Provence
Cedex 3; France
Tel: +33 4 42 90 88 09
Fax: +33 4 42 90 88 88
E-mail: tekeuro@psion.com