



CRAFTSMAN®

**Oil Lubricated
Two Stage
Stationary
AIR COMPRESSOR**

**Model No.
919.167801**

- **Safety Guidelines**
- **Assembly**
- **Operation**
- **Maintenance**
- **Service and Adjustments**
- **Troubleshooting**
- **Repair Parts**

CAUTION: Read the Safety Guidelines and All Instructions Carefully Before Operating.

Sears, Roebuck and Co., Hoffman Estates, IL 60179 U.S.A.
Visit our Craftsman website: www.sears.com/craftsman

TABLE OF CONTENTS

WARRANTY2
SPECIFICATION CHART3
SAFETY GUIDELINES3-8
GLOSSARY9
ACCESSORIES9
DUTY CYCLE9
ASSEMBLY10
INSTALLATION11-12
OPERATION13-15
MAINTENANCE16-17
SERVICE AND ADJUSTMENTS18-19
STORAGE20
TROUBLESHOOTING GUIDE21-23
REPAIR PARTS24-27
ESPAÑOL28-49
NOTES/NOTAS50-51
HOW TO ORDER REPAIR PARTSback cover

WARRANTY

FULL ONE YEAR WARRANTY AIR COMPRESSOR

If this air compressor fails due to a defect in material or workmanship within one year from the date of purchase, RETURN IT TO THE NEAREST SEARS REPAIR CENTER THROUGHOUT THE UNITED STATES AND SEARS WILL REPAIR IT, FREE OF CHARGE. If purchased from Orchard Supply Hardware, return to the nearest Orchard Store and Orchard will repair it, free of charge.

If this air compressor is used for commercial or rental purposes, the warranty will apply for ninety days from the date of purchase.

This warranty gives you specific legal rights and you may have other rights which vary from state to state.

Sears, Roebuck and Co., Dept. 817WA, Hoffman Estates, IL 60179

SPECIFICATION CHART

Model No.	919-167801
Max. Developed HP	7
Bore	4.134"
Stroke	2.165"
Voltage-Single Phase	240/60/1
Minimum Branch Circuit Requirement	30 amps
Fuse Type	Time Delay
Air Tank Capacity	80
Approx. Cut-In	140
Approx. Cut-out	175
SCFM @ 100 psig	17.4
SCFM @ 175 psig	16.9

SAFETY GUIDELINES - DEFINITIONS

This manual contains information that is important for you to know and understand. This information relates to protecting **YOUR SAFETY** and **PREVENTING EQUIPMENT PROBLEMS**. To help you recognize this information, we use the symbols below. Please read the manual and pay attention to these sections.

<p>⚠ DANGER Indicates an imminently hazardous situation which, if not avoided, <u>will</u> result in <u>death or serious injury</u>.</p>	<p>⚠ CAUTION Indicates a potentially hazardous situation which, if not avoided, <u>may</u> result in <u>minor or moderate injury</u>.</p>
<p>⚠ WARNING Indicates a potentially hazardous situation which, if not avoided, <u>could</u> result in <u>death or serious injury</u>.</p>	<p>CAUTION Used without the safety alert symbol indicates a potentially hazardous situation which, if not avoided, <u>may</u> result in <u>property damage</u>.</p>

IMPORTANT SAFETY INSTRUCTIONS



SAVE THESE INSTRUCTIONS



IMPROPER OPERATION OR MAINTENANCE OF THIS PRODUCT COULD RESULT IN SERIOUS INJURY AND PROPERTY DAMAGE. READ AND UNDERSTAND ALL WARNINGS AND OPERATING INSTRUCTIONS BEFORE USING THIS EQUIPMENT.

⚠ WARNING Some dust created by power sanding, sawing, grinding, drilling, and other construction activities contains chemicals known (to the State of California) to cause cancer, birth defects or other reproductive harm. Some example of these chemicals are:

- lead from lead-based paints
- crystalline silica from bricks and cement and other masonry products
- arsenic and chromium from chemically-treated lumber

Your risk from these exposures varies, depending on how often you do this type of work. To reduce your exposure to these chemicals: work in a well ventilated area, and work with approved safety equipment, always wear **MSHA/NIOSH** approved, properly fitting face mask or respirator when using such tools.

When using air tools, basic safety precautions should always be followed to reduce the risk of of personal injury.

IMPORTANT SAFETY INSTRUCTIONS



Save these instructions



Improper operation or maintenance of this product could result in serious injury and property damage. Read and understand all warnings and operation instructions before using this equipment.

HAZARD

WARNING: Risk of Explosion or Fire



What Could Happen	How To Prevent It
<p>It is normal for electrical contacts within the motor and pressure switch to spark.</p>	<p>Always operate the compressor in a well ventilated area free of combustible materials, gasoline, or solvent vapors.</p>
<p>If electrical sparks from compressor come into contact with flammable vapors, they may ignite, causing fire or explosion.</p>	<p>If spraying flammable materials, locate compressor at least 20 feet away from spray area. An additional length of hose may be required. Store flammable materials in a secure location away from compressor.</p>
<p>Restricting any of the compressor ventilation openings will cause serious overheating and could cause fire.</p>	<p>Never place objects against or on top of compressor. Operate compressor in an open area at least 12 inches away from any wall or obstruction that would restrict the flow of fresh air to the ventilation openings. Operate compressor in a clean, dry well ventilated area. Do not operate unit indoors or in any confined area.</p>
<p>Unattended operation of this product could result in personal injury or property damage. To reduce the risk of fire, do not allow the compressor to operate unattended.</p>	<p>Always remain in attendance with the product when it is operating. Always disconnect electrical power by moving pressure switch lever to the off position and drain tank daily or after each use.</p>

HAZARD

WARNING: Risk of Bursting



Air Tank: The following conditions could lead to a weakening of the tank, and result in a violent tank explosion and could cause property damage or serious injury.

What Could Happen	How To Prevent It
<p>1. Failure to properly drain condensed water from tank, causing rust and thinning of the steel tank.</p>	<p>Drain tank daily or after each use. If tank develops a leak, replace it immediately with a new tank or replace the entire compressor.</p>
<p>2. Modifications or attempted repairs to the tank.</p> <p>3. Unauthorized modifications to the unloader valve, safety valve, or any other components which control tank pressure.</p>	<p>Never drill into, weld, or make any modifications to the tank or its attachments.</p>
<p>4. Excessive vibration can weaken the air tank and cause rupture or explosion</p>	<p>The tank is designed to withstand specific operating pressures. Never make adjustments or parts substitutions to alter the factory set operating pressures.</p>
<p><u>ATTACHMENTS & ACCESSORIES:</u> Exceeding the pressure rating of air tools, spray guns, air operated accessories, tires, and other inflatables can cause them to explode or fly apart, and could result in serious injury.</p>	<p>For essential control of air pressure, you must install a pressure regulator and pressure gauge to the air outlet (if not equipped) of your compressor. Follow the equipment manufacturers recommendation and never exceed the maximum allowable pressure rating of attachments. Never use compressor to inflate small low pressure objects such as children's toys, footballs, basketballs, etc.</p>

HAZARD

WARNING: Risk from Flying Objects



WHAT CAN HAPPEN	HOW TO PREVENT IT
<p>The compressed air stream can cause soft tissue damage to exposed skin and can propel dirt, chips, loose particles, and small objects at high speed, resulting in property damage or personal injury.</p>	<p>Always wear ANSI Z87.1 approved safety glasses with side shields when using the compressor.</p> <p>Never point any nozzle or sprayer toward any part of the body or at other people or animals.</p> <p>Always turn the compressor off and bleed pressure from the air hose and tank before attempting maintenance, attaching tools or accessories.</p>

HAZARD

WARNING: Risk of Electrical Shock



WHAT CAN HAPPEN	HOW TO PREVENT IT
Your air compressor is powered by electricity . Like any other electrically powered device, if it is not used properly it may cause electric shock .	Never operate the compressor outdoors when it is raining or in wet conditions . Never operate compressor with protective covers removed or damaged .
Repairs attempted by unqualified personnel can result in serious injury or death by electrocution .	Any electrical wiring or repairs required on this product should be performed by authorized service center personnel in accordance with national and local electrical codes.
Electrical Grounding: Failure to provide adequate grounding to this product could result in serious injury or death from electrocution . See grounding instructions.	Make certain that the electrical circuit to which the compressor is connected provides proper electrical grounding, correct voltage and adequate fuse protection .

HAZARD

WARNING: Risk to Breathing



WHAT CAN HAPPEN	HOW TO PREVENT IT
The compressed air directly from your compressor is not safe for breathing . The air stream may contain carbon monoxide, toxic vapors, or solid particles from the tank. Breathing these contaminants can cause serious injury or death .	Air obtained directly from the compressor should never be used to supply air for human consumption . In order to use air produced by this compressor for breathing, suitable filters and in-line safety equipment must be properly installed . In-line filters and safety equipment used in conjunction with the compressor must be capable of treating air to all applicable local and federal codes prior to human consumption .
Sprayed materials such as paint, paint solvents, paint remover, insecticides, weed killers, may contain harmful vapors and poisons .	Work in an area with good cross ventilation . Read and follow the safety instructions provided on the label or safety data sheets for the materials you are spraying . Use a NIOSH/ MSHA approved respirator designed for use with your specific application.

HAZARD

WARNING: Risk of Burns



WHAT CAN HAPPEN	HOW TO PREVENT IT
<p>Touching exposed metal such as the compressor head or outlet tubes, can result in serious burns.</p>	<p>Never touch any exposed metal parts on compressor during or immediately after operation. Compressor will remain hot for several minutes after operation. Do not reach around protective shrouds or attempt maintenance until unit has been allowed to cool.</p>

HAZARD

WARNING: Risk from Moving Parts



WHAT CAN HAPPEN	HOW TO PREVENT IT
<p>Moving parts such as the pulley, flywheel, and belt can cause serious injury if they come into contact with you or your clothing.</p>	<p>Never operate the compressor with guards or covers which are damaged or removed.</p>
<p>Attempting to operate compressor with damaged or missing parts or attempting to repair compressor with protective shrouds removed can expose you to moving parts and can result in serious injury.</p>	<p>Any repairs required on this product should be performed by authorized service center personnel.</p>

HAZARD

WARNING: Risk of Falling



WHAT CAN HAPPEN	HOW TO PREVENT IT
<p>A portable compressor can fall from a table, workbench or roof causing damage to the compressor and could result in serious injury or death to the operator.</p>	<p>Always operate compressor in a stable secure position to prevent accidental movement of the unit. Never operate compressor on a roof or other elevated position. Use additional air hose to reach high locations.</p>

HAZARD

WARNING: RISK OF SERIOUS INJURY OR PROPERTY DAMAGE WHEN TRANSPORTING COMPRESSOR

(Fire, Inhalation, Damage to Vehicle Surfaces)



WHAT CAN HAPPEN	HOW TO PREVENT IT
<p>Oil can leak or spill and could result in fire or breathing hazard; serious injury or death can result. Oil leaks will damage carpet, paint or other surfaces in vehicles or trailers.</p>	<p>Always place compressor on a protective mat when transporting to protect against damage to vehicle from leaks. Remove compressor from vehicle immediately upon arrival at your destination.</p>

HAZARD

WARNING: Risk of Unsafe Operation



WHAT CAN HAPPEN	HOW TO PREVENT IT
<p>Unsafe operation of your air compressor could lead to serious injury or death to you or others.</p>	<p>Review and understand all instructions and warnings in this manual.</p> <p>Become familiar with the operation and controls of the air compressor.</p> <p>Keep operating area clear of all persons, pets, and obstacles.</p> <p>Keep children away from the air compressor at all times.</p> <p>Do not operate the product when fatigued or under the influence of alcohol or drugs. Stay alert at all times.</p> <p>Never defeat the safety features of this product.</p> <p>Equip area of operation with a fire extinguisher.</p> <p>Do not operate machine with missing, broken, or unauthorized parts.</p>

GLOSSARY

Become familiar with these terms before operating the unit.

CFM: Cubic feet per minute.

SCFM: Standard cubic feet per minute; a unit of measure of air delivery.

PSIG: Pounds per square inch gauge; a unit of measure of pressure.

Code Certification: Products that bear one or more of the following marks: UL, CUL, ETL, CETL, have been evaluated by OSHA certified independent safety laboratories and meet the applicable Underwriters Laboratories Standards for Safety.

Cut-In Pressure: While the motor is off, air tank pressure drops as you continue to use your accessory. When the tank pressure drops to a certain low level the motor will restart

automatically. The low pressure at which the motor automatically restarts is called "cut-in" pressure.

Cut-Out Pressure: When an air compressor is turned on and begins to run, air pressure in the air tank begins to build. It builds to a certain high pressure before the motor automatically shuts off - protecting your air tank from pressure higher than its capacity. The high pressure at which the motor shuts off is called "cut-out" pressure.

Branch Circuit: Circuit carrying electricity from electrical panel to outlet.

To Lock Out Power: Place a lock on the line power switch so no one else can turn on the power.

DUTY CYCLE

Air compressors should be operated on not more than a 50% duty cycle. This means an air compressor that pumps air more than 50% of one

hour is considered misuse, because the air compressor is undersized for the required air demand. Maximum compressor pumping time per hour is 30 minutes.

ACCESSORIES

Accessories for this unit are available at the store the unit was purchased.

ASSEMBLY

Contents of Carton

- 1 - Air Compressor
- 1 - Parts bag containing:
 - 1 - Operator's Manual
 - 1 - Parts Manual
- 4 - 5/8" Washers

Tools Required for Assembly

- 1 - 9/16" socket or open end wrench
- 1 - electric drill

Unpacking

- 1. Remove all packaging.

CAUTION It may be necessary to brace or support one side of the outfit when removing the pallet because the air compressor will have a tendency to tip.

- 2. Remove and discard the (4) screws and washers holding the compressor to the pallet.
- 3. With the help of another person carefully remove air compressor from pallet and place on a level surface.

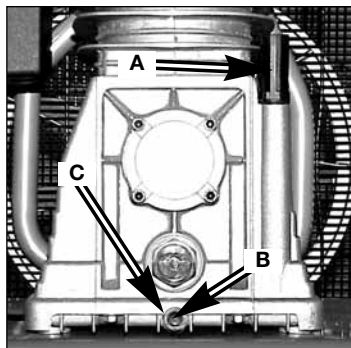
To Add Oil To Pump

CAUTION Compressors are shipped without oil.

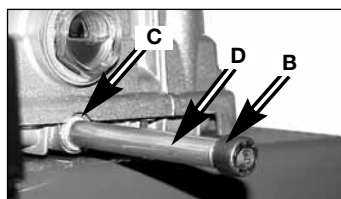
A small amount of oil may be present in the pump upon receipt of the air compressor. This is due to plant testing and does not mean the pump contains oil. Do not attempt to operate this air compressor without first adding oil to the crankcase. Serious damage can result from even limited operation unless filled with oil and broken in correctly. Make sure to closely follow initial start-up procedures.

CAUTION Multi-Viscosity motor oils, like 10W 30, should not be used in an air compressor. They leave carbon deposits on critical components, thus reducing performance and compressor life. Use air compressor oil only.

- 1. Remove the oil drain plug (B) and washer (C).



- 2. Obtain the drain plug extension (D), from the parts bag.



- 3. Apply thread sealant tape to the threads of the drain plug extension (D).
- 4. Assemble the washer (C), drain plug extension (D), and drain plug (B) as shown in Figure.
- 5. Tighten securely.
- 6. Remove the oil fill plug (A).
- 7. Fill the crankcase with the recommended oil. **NOTE:** Use an air compressor oil such as SAE-30 (API CG/CD heavy duty motor oil). Under extreme winter conditions use SAE-20 weight oil.
- 8. Replace the oil fill plug (A) and tighten securely.

INSTALLATION

HOW TO SET UP YOUR UNIT

Location of the Air Compressor

- Locate the air compressor in a clean, dry, and well ventilated area.
- Locate the air compressor at least 12" away from the wall or other obstructions that will interfere with the flow of air.
- Locate the air compressor as close to the main power supply as possible to avoid using long lengths of electrical wiring.
NOTE: Long lengths of electrical wiring could cause power loss to the motor.
- The air filter must be kept clear of obstructions which could reduce air flow to the air compressor.

Anchoring of the Air Compressor

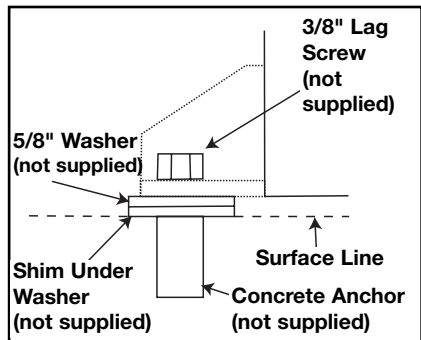
⚠ WARNING Excessive Vibration can weaken the air tank and cause an explosion. The compressor must be properly mounted.

The air compressor **MUST** be bolted to a solid, level surface.

Hardware needed:

- 4 - Concrete anchors (not supplied)
- 4 - 3/8" Lag screw to fit concrete anchors (not supplied)
- 4 - 5/8" Washer shims (found in parts bag, if needed)

1. Place the air compressor on on a solid, level surface.
2. Mark the surface using the holes in the air compressor feet as a template.
3. Drill holes in the surface for the concrete anchors. Install concrete anchors.
4. Line-up holes in surface with holes in air compressor feet.
5. Place the (4) washers (not supplied) between the floor and air compressor feet. If needed, solid shims may be placed between the washers and floor to evenly distribute weight on all four feet. See next figure.



6. Place the (4) 3/8" lag screws through the air compressor feet, washers, shims, and into the anchors.
7. Torque 3/8" lag screws to 7-10 ft.-lbs.

Wiring Instructions

⚠ DANGER RISK OF ELECTRICAL

SHOCK. Improper electrical grounding can result in electrical shock. The wiring should be done by a qualified electrician to comply with national and local electrical codes.

A qualified electrician needs to know the following before wiring:

1. The amperage rating of the electrical box should be adequate. Refer to the product specifications, found in the front of this manual, for this information.
2. The supply line should have the same electrical characteristics (voltage, cycle, phase) as the motor. Refer to the motor nameplate, on side of motor, for this information.

NOTE: The wiring must be the same as the motor nameplate voltage plus or minus 10%. Refer to local codes for recommended wire sizes, correct wire size, and maximum wire run; undersize wire causes high amp draw and overheating to the motor.

⚠ CAUTION **Electrical wiring must be located away from hot surfaces such as manifold assembly, compressor outlet tubes, heads, or cylinders.**

GROUNDING INSTRUCTIONS

This product should be connected to a metallic, permanent wiring system, or an equipment-grounding terminal or lead on the product and comply with national and local electrical codes.

Refer to the product specification found in the front of this manual for the voltage and minimum branch circuit requirements.

Air Distribution System

⚠ WARNING Plastic or PVC pipe is not designed for use with compressed air.

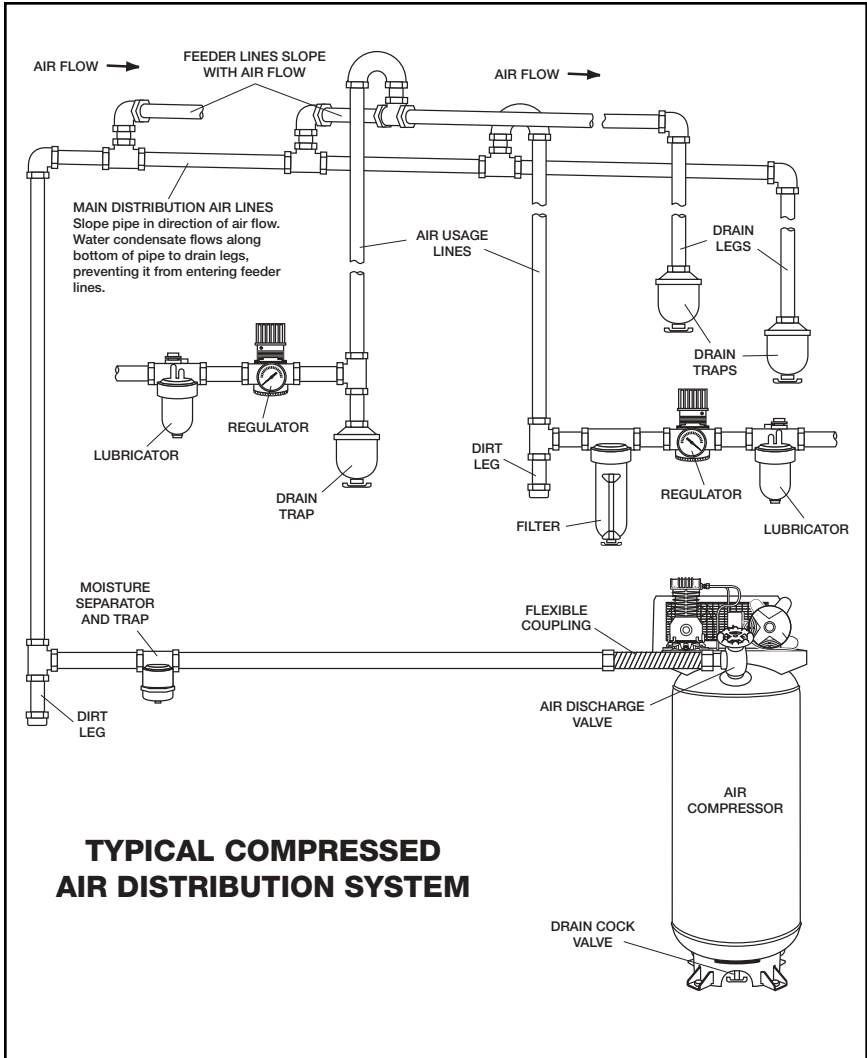
Regardless of its indicated pressure rating, plastic pipe can burst from air pressure. Use only metal pipe for air distribution lines.

The next figure represents a typical air distribution system. The following are tips to remember when setting up the air compressor's air distribution system.

- Use pipe that is the same size as the air tank outlet. Piping that is too small will restrict the flow of air.
- If piping is over 100 feet long, use the next larger size.
- Bury underground lines below the frost line and avoid pockets where condensation can gather and freeze. Fill lines with air pressure before covering to make sure pipe joints are free from leaks.
- Install a flexible coupling between the air discharge outlet and main air distribution line to allow for vibration.

NOTE: The shut-off valve is not supplied with this unit. You must purchase the shut-off valve separately.

- A separate regulator is recommended to control the air pressure. Air pressure from the air tank is usually too high for individual air driven tools.



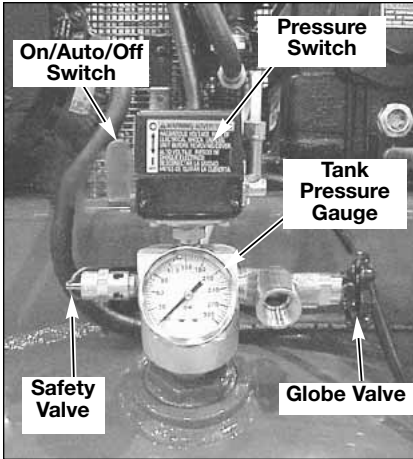
OPERATION

Know Your Air Compressor

READ THIS OWNER'S MANUAL AND SAFETY RULES BEFORE OPERATING YOUR UNIT. Compare the illustrations with your unit to familiarize yourself with the location of various controls and adjustments. Save this manual for future reference.

Description of Operation

Become familiar with these controls before operating the unit.



On/Auto/Off Switch: Turn this switch ON to provide automatic power to the pressure switch and OFF to remove power at the end of each use.

Pressure Switch: The pressure switch automatically starts the motor when the air tank pressure drops below the factory set "cut-in" pressure. It stops the motor when the air tank pressure reaches the factory set "cut-out" pressure.

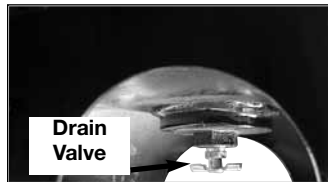
Safety Valve: If the pressure switch does not shut off the air compressor at its "cut-out" pressure setting, the safety valve will protect against high pressure by "popping out" at its factory set pressure (slightly higher than the pressure switch "cut-out" setting).

Tank Pressure Gauge: The tank pressure gauge indicates the reserve air pressure in the tank.

Globe Valve (sold separately): Opens and closes air discharge valve. Turn knob counter-clockwise to open and clockwise to close.

Regulator (sold separately, not shown): An air pressure regulator or a separate air transformer which combines the functions of air regulation and/or moisture and dirt removal is recommended for most applications.

Drain Valve: The drain valve is located at the base of the air tank and is used to drain condensation at the end of each use.

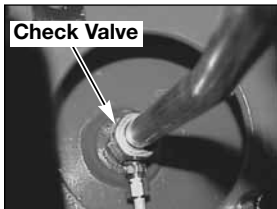


Cooling System (not shown): This compressor contains an advanced design cooling system. At the heart of this cooling system is an engineered fan. It is perfectly normal for this fan to blow air through the vent holes in large amounts. You know that the cooling system is working when air is being expelled.

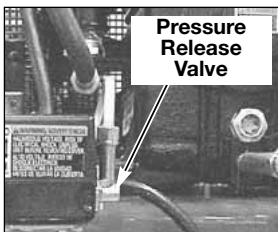
Air Compressor Pump (not shown):

Compresses air into the air tank. Working air is not available until the compressor has raised the air tank pressure above that required at the air outlet.

Check Valve: When the air compressor is operating, the check valve is "open", allowing compressed air to enter the air tank. When the air compressor reaches "cut-out" pressure, the check valve "closes", allowing air pressure to remain inside the air tank.



Pressure Release Valve: The pressure release valve, located on the side of the pressure switch, is designed to automatically release compressed air from the compressor head and the outlet tube when the air compressor reaches "cut-out" pressure or is shut off. The pressure release valve allows the motor to restart freely. When the motor stops running, air will be heard escaping from this valve for a few seconds. No air should be heard leaking when the motor is running, or continuous leaking after unit reaches "cut-out" pressure.



Air Intake Filter (not shown) This filter is designed to clean air coming into the pump. This filter must always be clean and ventilation openings free from obstructions. See "Maintenance".

How to Use Your Unit

How to Stop:

1. Set the On/Auto/Off lever to "OFF".

Before Starting

Break-in Procedure

⚠ WARNING Serious damage may result if the following break-in instructions are not closely followed.

This procedure is required **before** the air compressor is put into service and when the check valve or a complete compressor pump has been replaced.

1. Make sure the On/Auto/Off lever is in the "OFF" position.
2. Recheck all wiring. Make sure wires are secure at all terminals connections. Make sure all contacts move freely and are not obstructed.
3. Open the globe valve fully to permit air to escape and prevent air pressure build up in the air tank during the break-in period.

NOTE: The shut-off valve is not supplied with this unit. You must purchase the shut-off valve separately.

4. Move the On/Auto/Off lever to "ON/AUTO" position. The compressor will start.

5. Run the compressor for 20 minutes. Make sure the globe valve is open and there is minimal air pressure build-up in tank.
6. Check all air line fittings and connections/piping for air leaks by applying a soap solution. Correct if necessary. **NOTE:** Minor leaks can cause the air compressor to overwork, resulting in premature breakdown or inadequate performance.
7. Check for excessive vibration. Readjust or shim air compressor feet, if necessary.
8. After 20 minutes, close the globe valve. The air receiver will fill to "cut-out" pressure and the motor will stop.

Before Each Start-Up:

1. Place On/Auto/Off lever to "OFF".
2. Close the globe valve.
3. Attach hose and accessories. **NOTE:** A regulator **MUST** be installed when using accessories rated at less than 175 PSI.

▲ WARNING Too much air pressure causes a hazardous risk of bursting. Check the manufacturer's maximum pressure rating for air tools and accessories. The regulator outlet pressure must never exceed the maximum pressure rating.

How to Start

1. Turn the On/Auto/Off lever to "AUTO" and allow tank pressure to build. Motor will stop when tank pressure reaches "cut-out" pressure.
2. When the tank pressure reaches "cut-out" pressure open the globe valve.

IMPORTANT: When using regulator and other accessories refer to the manufacturer-s instructions.

NOTE: Always operate the air compressor in well-ventilated areas free of gasoline or other combustible vapors. If the compressor is being used to operate a sprayer, DO NOT place compressor near the spray area.

MAINTENANCE

Customer Responsibilities

	Before each use	Every 8 hours	Every 40 hours	Every 100 hours	Every 160 hours	Every 500 hours	Yearly
Check Safety Valve	●						
Drain Tank		●					
Check Oil		●					
Change Oil				● ²		● ²	
Unusual Noise and/or Vibration		●					
Air Filter			● ¹				
Drive Belt-Condition			●				
Motor Pulley/Flywheel alignment					●		
Air compressor pump intake and exhaust valves							●
Inspect air lines and fittings for leaks	●						
Head Bolts - Check the torques of the head bolts after the first five hours of operation.							
1- more frequent in dusty or humid conditions							
2- more frequent if humidity or operating conditions are extreme.							

⚠ CAUTION Unit cycles automatically when power is on. When performing maintenance, you may be exposed to voltage sources, compressed air, or moving parts. Personal injuries can occur. Before performing any maintenance or repair, disconnect power source from the compressor and bleed off all air pressure.

To ensure efficient operation and longer life of the air compressor outfit, a routine maintenance schedule should be prepared and followed. The following routine maintenance schedule is geared to an outfit in a normal working environment operating on a daily basis. If necessary, the schedule should be modified to suit the conditions under which your compressor is used. The modifications will depend upon the hours of operation and the working environment. Compressor outfits in an extremely dirty and/or hostile environment will require a greater frequency of all maintenance checks.

NOTE: See "Operation" section for the location of controls.

To Check Safety Valve

⚠ WARNING If the safety valve does not work properly, over-pressurization may occur, causing air tank rupture or an explosion.

1. Before starting compressor, pull the ring on the safety valve to make sure that the safety valve operates freely. If the valve is stuck or does not operate smoothly, it must be replaced with the same type of valve.

To Drain Tank

NOTE: Operation of the air compressor will cause condensation to build up in the air tank. Always drain tank on a washable surface or in a suitable container to prevent damaging or staining surfaces.

1. Set the On/Auto/Off lever to "OFF".
2. Close the globe valve.
3. Remove the air tool or accessory.
4. Open the globe valve and allow the air to slowly bleed from the air tank until tank pressure is approximately 20 psi.
5. Close the globe valve.
6. Drain water from air tank by opening drain valve (counter-clockwise) on bottom of tank.

⚠ WARNING Water will condense in the air tank. If not drained, water will corrode and weaken the air tank causing a risk of air tank rupture.

7. After the water has been drained, close the drain valve (clockwise). The air compressor can now be stored.

NOTE: If drain valve is plugged, release all air pressure. The valve can then be removed, cleaned, then reinstalled.

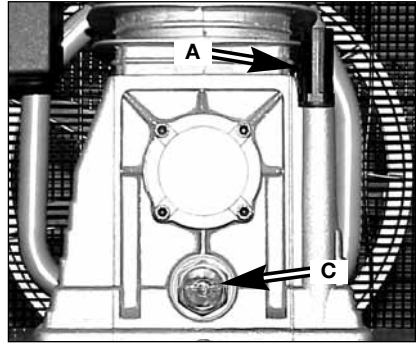
Oil

NOTE: Use a air compressor oil such as SAE-30 (API CG/CD heavy duty motor oil). Under extreme winter conditions use SAE-20 weight oil.

NOTE: Crankcase oil capacity is approximately 60 fluid ounces (1.8 l).

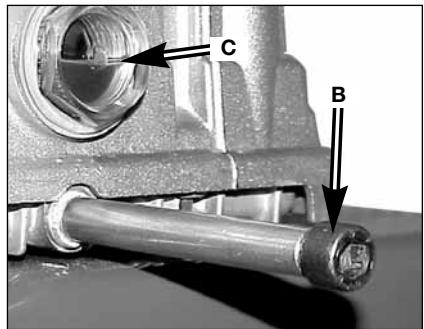
Checking

1. The oil level should be to the middle of the sight glass (C).
2. If needed remove oil fill plug (A) and slowly add oil until it reaches the middle of the sight glass.



Changing

1. Remove the oil fill plug (A).
2. Remove the oil drain plug (B) and drain oil into a suitable container.



3. Replace the oil drain plug (B) and tighten securely
4. Slowly add compressor oil until the oil level is in the middle of the sightglass (C). **NOTE:** When filling the crankcase, the oil flows very slowly into the pump. If the oil is added too quickly, it will overflow and appear to be full.

⚠ CAUTION Overfilling with oil will cause premature compressor failure. Do not overfill.

5. Replace oil fill plug (A) and tighten securely.

Air Filter - Inspection and Replacement

⚠ WARNING Hot surfaces. Risk of burn.

Compressor heads are exposed when filter cover is removed. Allow compressor to cool prior to servicing.

A dirty air filter will not allow the compressor to operate at full capacity. Keep the air filter clean at all times.

1. Remove the air filter cover.
2. Remove the air filter from filter cover.

IMPORTANT: Do not operate the compressor with the air filter removed.

3. Place new air filter into filter cover. Refer to the "Repair Parts" for the correct part number.
4. Replace air filter cover and lock into place.

Belt - Replacement

(Refer to the Outfit Parts Manual for replacement belt part number.)

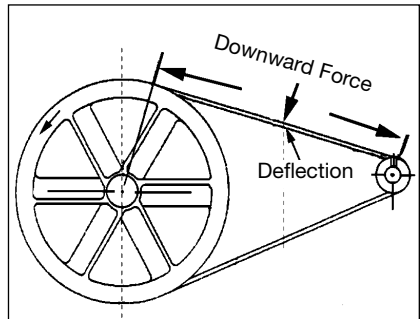
⚠ WARNING Serious injury or damage may occur if parts of the body or loose items get caught in moving parts. Never operate the outfit with the belt guard removed. The belt guard should be removed only when the AIR compressor power is disconnected.

1. Turn air compressor off, lock out the power supply, and relieve all air pressure from the air tank.
2. Remove the belt guard.
3. Mark pump position on saddle.
4. Loosen the motor mounting screws and slide the motor toward the air compressor.

5. Remove the belt and replace with a new one.
6. See the "Adjust Belt Tension" before tightening motor mounting screws.

Adjusting Belt Tension

1. Slide motor into original position, line the motor up with the mark made earlier on saddle.
2. Tighten two outside motor mounting screws enough to hold the motor in place for checking pulley and flywheel alignment.
3. The belt should deflect $3/16"$ at midway between the pulley and the flywheel when a 5 pound weight is applied at the midway point.



4. When proper belt tension is achieved, tighten all four motor mounting screws. See Parts manual for torque specifications.

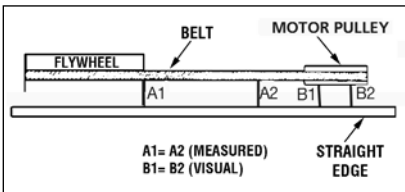
NOTE: Once the engine pulley has been moved from its factory set location, the grooves of the flywheel and pulley must be aligned to within $1/16"$ to prevent excessive belt wear. Verify the alignment by performing the following Pulley and Flywheel - Alignment.

Motor Pulley/Flywheel Alignment

NOTE: Once the motor pulley has been moved from its factory set location, the grooves of the flywheel and pulley must be aligned to within 1/16" to prevent excessive belt wear.

The air compressor flywheel and motor pulley must be in-line (in the same plane) within 1/16" to assure belt retention within flywheel belt grooves. To check alignment, perform the following steps:

1. Turn air compressor off, lock out the power supply, and relieve all air pressure from the air tank.
2. Remove belt guard
3. Place a straightedge against the outside of the flywheel and the motor drive pulley.



4. Measure the distance between the edge of the belt and the straightedge at points A1 and A2 in figure. The difference between measurements should be no more than 1/16".
5. If the difference is greater or less than 1/16" loosen the set screw holding the motor drive pulley to the shaft and adjust the pulley's position on the shaft until the A1 and A2 measurements are within 1/16" of each other.
6. Tighten the motor drive pulley set screw. See Parts manual for torque specifications.

7. Visually inspect the motor drive pulley to verify that it is perpendicular to the drive motor shaft. Points B1 and B2 of Figure should appear to be equal. If they are not, loosen the setscrew of the motor drive pulley and equalize B1 and B2, using care not to disturb the belt alignment performed in step 2.
8. Retighten the motor drive pulley setscrew. See Parts manual for torque specifications.
9. Reinstall belt guard.

Air Compressor Pump Intake and Exhaust Valves

Once a year have a Trained Service Technician check the air compressor pump intake and exhaust valves.

Inspect Air Lines and Fittings for Leaks

1. Turn air compressor off, lock out the power supply, and relieve all air pressure from the air tank.
2. Apply a soap solution to all air line fittings and connections/piping.
3. Correct any leaks found.

IMPORTANT: Even minor leaks can cause the air compressor to overwork, resulting in premature breakdown or inadequate performance.

Air compressor Head Bolts - Torquing

The air compressor pump head bolts should be kept properly torqued. Check the torques of the head bolts after the first five hours of operation. Retighten if necessary. See Parts manual for torque specifications.

SERVICE AND ADJUSTMENTS

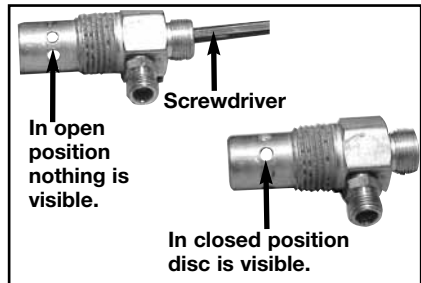
⚠ WARNING Unit cycles automatically when power is on. When doing Maintenance, you may be exposed to voltage sources, compressed air or moving parts. Personal injuries can occur. Before performing any Maintenance or repair, unplug the compressor and bleed off all air pressure.

ALL MAINTENANCE AND REPAIR OPERATIONS NOT LISTED MUST BE PERFORMED BY TRAINED SERVICE TECHNICIAN.

⚠ WARNING Before servicing:
Unplug or disconnect electrical supply to the air compressor.
Bleed tank of pressure.
Allow the air compressor to cool.

To Replace or Clean Check Valve

1. Release all air pressure from air tank. See "To Drain Tank" in the Maintenance section.
2. Turn air compressor off, lock out the power supply, and relieve all air pressure from the air tank.
3. Using an adjustable wrench loosen outlet tube nut at air tank and pump. Carefully move outlet tube away from check valve.
4. Using an adjustable wrench loosen pressure relief tube nut at air tank and pressure switch. Carefully move pressure relief tube away from check valve.
5. Unscrew the check valve (turn counterclockwise) using a 7/8" open end wrench. **Note** the orientation for reassembly.
6. Using a screwdriver, carefully push the valve disc up and down. **NOTE:** The valve disc should move freely up and down on a spring which holds the valve disc in the closed position, if not the check valve needs to be cleaned or replaced.

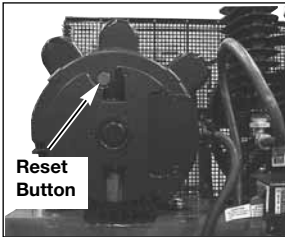


7. Clean or replace the check valve. A solvent, such as paint or varnish remover can be used to clean the check valve.
8. Apply sealant to the check valve threads. Reinstall the check valve (turn clockwise).
9. Replace the pressure release tube. Tighten nuts.
10. Replace the outlet tube and tighten nuts.
11. Perform the Break-in Procedure. See "Break-in Procedure" in the Operation section.

Motor

This motor has a manual thermal overload protector. If the motor overheats for any reason, the overload protector will shut off the motor. The motor must be allowed to cool down before restarting. To restart:

1. Place the On/Auto/Off lever in the Off position.
2. Allow the motor to cool.
3. Depress the red reset button on the motor.



4. Place the On/Auto/Off lever in the On/Auto position to restart the motor.

IMPORTANT: If the overload protector shuts the motor off frequently, check for a possible voltage problem. Low voltage can also be suspected when:

1. The motor does not get up to full power or speed.
2. Fuses blow out when starting the motor; lights dim and remain dim when motor is started and is running.

Additional Service

Disassembly or service of the air compressor beyond what is covered in this manual is not recommended. If additional service is required, contact your nearest Authorized Warranty Service Center.

STORAGE

Before you store the air compressor, make sure you do the following:

1. Review the "Maintenance" section on the preceding pages and perform scheduled maintenance as necessary.
2. Set the On/Auto/Off lever to "OFF".
3. Close the globe valve.
4. Remove the air tool or accessory.
5. Open the globe valve and allow the air to slowly bleed from the air tank until tank pressure is approximately 20 psi.
6. Drain water from air tank by opening drain valve (counterclockwise) on bottom of tank.

⚠ WARNING Water will condense in the air tank. If not drained, water will corrode and weaken the air tank causing a risk of air tank rupture.

7. After the water has been drained, close the drain or drain valve.

NOTE: If drain valve is plugged, release all air pressure. The valve can then be removed, cleaned, then reinstalled.

8. Protect the air hose from damage (such as being stepped on or run over).

TROUBLESHOOTING

⚠ WARNING Performing repairs may expose voltage sources, moving parts or compressed air sources, moving parts or compressed air sources. Personal injury may occur. Prior to attempting any repairs, unplug the air compressor and bleed off all air tank air pressure.

PROBLEM	CAUSE	CORRECTION
Excessive tank pressure - (safety valve) pops off.	<p>Pressure switch does not shut off motor when compressor reaches "cut-out" pressure.</p> <p>Pressure switch "cut-out" too high.</p>	<p>Move On/Auto/Off lever to the "OFF" position, if the outfit does not shut off contact a Trained Service Technician.</p> <p>Contact a Trained Service Technician.</p>
Air leaks at fittings.	Tube fittings are not tight enough.	Tighten fittings where air can be heard escaping. Check fittings with soapy water solution. DO NOT OVERTIGHTEN.
Air leaks at or inside check valve.	Check valve seat damaged.	A defective check valve results in a constant air leak at the pressure release valve when there is pressure in the tank and the compressor is shut off. Replace check valve. Refer the "To Replace or Clean Check Valve" in the "Operation" section.
Air leaks at pressure switch release valve. (if equipped)	Defective pressure switch release valve.	Contact a Trained Service Technician.
Air leaks in air tank or at air tank welds.	Defective air tank.	<p>Air tank must be replaced. Do not repair the leak.</p> <p>⚠ WARNING Do not drill into, weld or otherwise modify air tank or it will weaken. The tank can rupture or explode.</p>
Air leaks between head and valve plate.	Leaking seal.	Contact a Trained Service Technician.

PROBLEM	CAUSE	CORRECTION
Pressure reading on the regulated pressure gauge (if equipped) drops when an accessory is used.	It is normal for "some" pressure drop to occur.	If there is an excessive amount of pressure drop when the accessory is used, adjust the regulator as instructed in the Operation section. NOTE: Adjust the regulated pressure under flow conditions (while accessory is being used).
Air leak from safety valve.	Possible defect in safety valve.	Operate safety valve manually by pulling on ring. If valve still leaks, it should be replaced.
Compressor is not supplying enough air to operate accessories.	<p>Prolonged excessive use of air. Compressor is not large enough for air requirement.</p> <p>Hole in hose.</p> <p>Check valve restricted.</p> <p>Air leaks.</p> <p>Restricted air intake filter</p> <p>Loose belt.</p>	<p>Decrease amount of air usage.</p> <p>Check the accessory air requirement. If it is higher than the SCFM or pressure supplied by your air compressor, you need a larger compressor. Check and replace if required.</p> <p>Remove and clean, or replace.</p> <p>Tighten fittings.</p> <p>Clean or replace air intake filter. Do not operate the air compressor with the filter removed. Refer to the "Air Filter" paragraph in the "Maintenance " section.</p> <p>Check belt tension, see Adjusting Belt Tension in the Maintenance section.</p>
Restricted air intake.	Dirty air filter.	Clean or replace. See Air Filter paragraph in the Maintenance section.
Safety Valve on pump "pops" out.	Pressure switch, check valve, or pump could be in need of servicing.	Have checked by a Trained Service Technician.

PROBLEM	CAUSE	CORRECTION
<p>Motor will not run.</p>	<p>Motor overload protection switch has tripped.</p> <p>Tank pressure exceeds pressure switch "cut-in" pressure.</p> <p>Check valve stuck open.</p> <p>Loose electrical connections.</p> <p>Possible defective motor or starting capacitor.</p> <p>Paint spray on internal motor parts.</p> <p>Pressure release valve on pressure switch has not unloaded head pressure.</p> <p>Fuse blown, circuit breaker tripped.</p>	<p>Let motor cool off and overload switch will automatically reset.</p> <p>Motor will start automatically when tank pressure drops below "cut-in" pressure of pressure switch.</p> <p>Remove and clean, or replace.</p> <p>Check wiring connection inside pressure switch and terminal box area.</p> <p>Have checked by a Trained Service Technician.</p> <p>Have checked by a Trained Service Technician. Do not operate the compressor in the paint spray area. See flammable vapor warning.</p> <p>Bleed the line by pushing the lever on the pressure switch to the "off" position; if the valve does not open, replace switch.</p> <ol style="list-style-type: none"> 1. Check fuse box for blown fuse and replace as necessary. Reset circuit breaker. Do not use a fuse or circuit breaker with higher rating than that specified for your particular branch circuit. 2. Check for proper fuse. You should use a time delay fuse. 3. Check for low voltage conditions and/or proper extension cord. 4. Disconnect the other electrical appliances from circuit or operate the compressor on its own branch circuit.

PROBLEM	CAUSE	CORRECTION
Knocking Noise.	Possible defect in safety valve.	Operate safety valve manually by pulling on ring. If valve still leaks, it should be replaced.
	Defective check valve.	Remove and clean, or replace.
	Loose pulley.	Tighten pulley set screw, 145-165 in.-lbs.
	Loose flywheel.	Tighten flywheel screw, 33-37 ft.-lbs.
	Compressor mounting screws loose.	Tighten mounting screws, 20-25 ft.-lbs.
	Loose belt.	Check belt tension, see Adjusting Belt Tension in the Maintenance section
	Carbon build-up in pump.	Have checked by a Trained Service Technician.
Excessive belt wear.	Belt too tight.	Check belt tension, see Adjusting Belt Tension in the Maintenance section.
	Loose belt.	Check belt tension, see Adjusting Belt Tension in the Maintenance section.
	Tight belt.	Check belt tension, see Adjusting Belt Tension in the Maintenance section.
	Loose pulley.	Have checked by a Trained Service Technician.
Squealing sound.	Pulley misalignment.	See Motor Pulley/Flywheel Alignment paragraph in the Maintenance section.
	Compressor pump has no oil.	See Oil-Checking paragraph in the Maintenance section.
	Loose belt.	Check belt tension, see Adjusting Belt Tension in the Maintenance section.

NOTES

CONTENIDO

GARANTÍA	28
CUADRO DE ESPECIFICACIONES	29
DEFINICIONES DE NORMAS DE SEGURIDAD	29
IMPORTANTES INSTRUCCIONES DE SEGURIDAD	29-34
GLOSARIO	35
ACCESORIOS	35
CICLO DE SERVICIO	35
ENSAMBLADO	36
INSTALACIÓN	37-38
OPERACIÓN	39-41
MANTENIMIENTO	42-43
SERVICIOS Y REGULACIONES	44-45
ALMACENAJE	46
GUÍA DE DIAGNÓSTICO DE PROBLEMAS	47-49
NOTES/NOTAS	50-51
LISTA DE PARTES	24-27
COMO SOLICITAR PIEZAS PARA REPARACIÓN	contratapa

GARANTÍA

GARANTÍA COMPLETA POR UN AÑO COMPRESOR DE AIRE

Si este compresor de aire fallara por defectos en materiales o mano de obra dentro del lapso de un año a partir de la fecha de su compra, DEVUÉLVALO AL CENTRO DE REPARACIONES SEARS MAS CERCANO DENTRO DE LOS ESTADOS UNIDOS, Y SEARS LO REPARARÁ, LIBRE DE CARGO. Si se hubiese comprado a Orchard Supply Hardware, devuélvalo al comercio Orchard más cercano y Orchard lo reparará, libre de cargo.

Si este compresor de aire fuese utilizado para propósitos comerciales o de alquiler, la garantía solo tendrá validez por noventa días a partir de la compra.

Esta garantía le otorga derechos legales específicos, aunque usted podrá tener otros derechos que podrían variar entre estados.

Sears, Roebuck and Co., Dept. 817WA, Hoffman Estates, IL 60179

CUADRO DE ESPECIFICACIONES

Modelo N°	919-167801
Máx. HP desarrollado	7
Diámetro interior	4,134 po (60,4mm)
Carrera	2,165 po (34,3mm)
Tensión monofásica	240/60/1
Circuito mínimo requerido	30A
Tipo de Fusible	Acción Retardada
Capacidad de aire en el tanque	80 Galones (113,6 litros)
Presión de corte de entrada	140
Presión de corte de salida	175
SCFM @ 100 psig	17,4 Calibre de libras por pulgada cuadrada
SCFM @ 175 psig	16,9 Calibre de libra por pulgada cuadrada

DEFINICIONES DE NORMAS DE SEGURIDAD

SEGURIDAD Y PREVENCIÓN DE PROBLEMAS DEL EQUIPO: Para ayudar al reconocimiento de esta información, hemos utilizado los símbolos mostrados abajo. Sírvase leer el manual y prestar atención a dichas secciones.

<p>⚠ PELIGRO Indica una situación de inminente riesgo, la cual, si no es evitada, causará la <u>muerte o lesiones serias.</u></p>	<p>⚠ PRECAUCIÓN Indica una situación potencialmente peligrosa, la cual, si no es evitada, podría resultar en <u>lesiones menores o moderadas.</u></p>
<p>⚠ ADVERTENCIA Indica una situación potencialmente riesgosa, que si no es evitada, podría resultar en la <u>muerte o lesiones serias.</u></p>	<p>⚠ PRECAUCIÓN Usado sin el símbolo de seguridad de alerta indica una situación potencialmente riesgosa la que, si no es evitada, podría causar <u>daños en la propiedad.</u></p>

IMPORTANTES INSTRUCCIONES DE SEGURIDAD

⚠ ADVERTENCIA Algunos tipos de aserrín creados por máquinas eléctricas de lijado, aserrado, amolado, perforado u otras actividades de la construcción, contienen materiales químicos conocidos (en el Estado de California) como causantes de cáncer, defectos de nacimiento u otros daños del aparato reproductivo. Algunos ejemplos de dichos productos químicos son:

- El plomo contenido en algunas pinturas con base de plomo
- Sílice cristalizado proveniente de los ladrillos, el cemento y otros productos de albañilería
- Arsénico y cromo provenientes del tratamiento químico dado a la madera

Su riesgo a dichas exposiciones variará dependiendo de la frecuencia con la que usted realice diferentes tipos de trabajo. Para reducir su exposición a la acción de dichos agentes químicos: trabaje en zonas bien ventiladas, y hágalo con equipo de seguridad aprobado, use siempre protección facial o respirador **MSHA / NIOSH** aprobados cuando deba utilizar dichas herramientas.

Al utilizar herramientas neumáticas también deben tomarse precauciones básicas de seguridad, a fin de reducir la posibilidad de riesgo de lesiones personales.

INSTRUCCIONES IMPORTANTES DE SEGURIDAD



GUARDE ESTAS INSTRUCCIONES



LA OPERACIÓN O EL MANTENIMIENTO INADECUADOS DE ESTE PRODUCTO PODRÍAN OCASIONAR SERIAS LESIONES Y DAÑOS A LA PROPIEDAD. LEA Y COMPRENDA TODAS LAS ADVERTENCIAS E INSTRUCCIONES DE FUNCIONAMIENTO ANTES DE UTILIZAR ESTE EQUIPO.

PELIGRO

ADVERTENCIA: Riesgo de explosión o incendio



¿QUE PUEDE OCURRIR?	¿CÓMO PREVENIRLO?
<p>Para los contactos eléctricos es normal la existencia de chispas entre el motor y el interruptor a presión.</p>	<p>Opere siempre el compresor en un sector bien ventilado y libre de materiales combustibles, gasolina o emanaciones de solvente.</p>
<p>Si las chispas eléctricas provenientes del compresor toman contacto con emanaciones de materiales inflamables, ellos podrían arder originando incendio o explosión.</p>	<p>En un área de rociado de materiales inflamables, ubique al compresor por lo menos a 6,1m (20 pies) de distancia del área de rociado. Podría requerirse una extensión de la manguera.</p> <p>Almacene los materiales inflamables en una ubicación segura, alejados del compresor.</p>
<p>Restringir cualquiera de las aberturas de ventilación causará un serio recalentamiento y podría producir un incendio.</p>	<p>Jamás coloque objetos apoyados o sobre el compresor. Opere el compresor en un sector abierto, por lo menos a 30 cm (12 pulgadas) alejado de cualquier pared u obstrucción que restrinja el flujo de aire fresco a las aberturas de ventilación.</p> <p>Opere el compresor en un sector limpio, seco, y bien ventilado. No opere la unidad en espacios cerrados o cualquier área confinada.</p>
<p>Dejar desatenido este producto mientras el mismo está en funcionamiento puede resultar en lesiones personales o daños a la propiedad. Para reducir el riesgo de incendio, no permita que el compresor opere desatendido.</p>	<p>Manténgase siempre alerta cada vez que el producto este funcionando.</p> <p>Desconecte siempre el suministro eléctrico moviendo la palanca conmutadora de presión a la posición de apagado (off), y drene el tanque diariamente o después de cada uso.</p>

PELIGRO

ADVERTENCIA: Riesgo de explosión



TANQUE DE AIRE: LAS SIGUIENTES CONDICIONES PODRÍAN, CAUSAR EL DEBILITAMIENTO DEL TANQUE, Y DETERMINAR SU EXPLOSIÓN VIOLENTA, DAÑOS A LA PROPIEDAD O SERIAS LESIONES.

¿QUÉ PUEDE OCURRIR?	¿CÓMO PREVENIRLO?
1. Drenaje inadecuado del agua condensada en el tanque, siendo la causa del óxido que reduce el espesor del tanque de acero.	Drene el tanque diariamente o después de cada uso. Si el tanque genera una pérdida, reemplácelo inmediatamente con un nuevo tanque o reemplace el compresor completo.
2. Modificaciones o intento de reparaciones al tanque.	Jamás perfore, suelde, o efectúe modificación alguna al tanque o sus accesorios.
3. Modificaciones no autorizadas a la válvula de descarga, válvula de seguridad o cualquier otro componente que controle la presión del tanque.	Jamás perfore, suelde, o efectúe modificación alguna al tanque o sus accesorios.
4. La vibración excesiva puede debilitar el tanque de aire y causar su ruptura o explosión.	El tanque está diseñado para resistir presiones operativas específicas. Jamás efectúe ajustes o sustituya partes que alteren las regulaciones de presión originales de fábrica.
AGREGADOS Y ACCESORIOS El exceso a los valores de presión establecidos para las herramientas neumáticas, pistolas rociadoras, accesorios activados por aire, cubiertas y otros objetos inflables, puede causar su explosión o ser arrojados, pudiendo ocasionar serias lesiones.	Para un control esencial de la presión, debe usted instalar un regulador y un medidor de presión a la salida del aire de su compresor. (Si no estuviere equipado) Siga las recomendaciones de los fabricantes de su equipo y jamás exceda los valores máximos de presión permitidos para los accesorios. Jamás use el compresor para inflar objetos que requieren poca o baja presión, tales como juguetes para los niños, pelotas de fútbol, pelotas de basquet, etc.

PELIGRO

ADVERTENCIA: Riesgo de objetos arrojados por el aire.



¿QUÉ PUEDE OCURRIR?	¿CÓMO PREVENIRLO?
El chorro de aire comprimido puede causar daños sobre los tejidos blandos de la piel expuesta, y puede propulsar suciedad, astillas, partículas sueltas y pequeños objetos a alta velocidad, ocasionando daños a la propiedad o lesiones personales.	Al utilizar el compresor, use siempre anteojos de seguridad ansi Z87.1 aprobados, con protección lateral. Jamás apunte ninguna boquilla o pulverizador hacia partes del cuerpo, a otras personas o animales. Apague siempre el compresor y purgue la presión de la manguera del aire y del tanque, antes de intentar el mantenimiento, el acople de herramientas o accesorios.

PELIGRO

ADVERTENCIA: Riesgo de descarga eléctrica



¿QUÉ PUEDE OCURRIR?	¿CÓMO PREVENIRLO?
Su compresor de aire está accionado por electricidad. Como cualquier otro dispositivo eléctrico impulsado eléctricamente, si no se lo utiliza adecuadamente, podría causarle una descarga eléctrica.	Jamás opere el compresor a la intemperie cuando está lloviendo o en condiciones de humedad. Nunca opere el compresor sin sus defensas o sus cubiertas removidas o dañadas.
Las reparaciones intentadas por personal no calificado podrían ocasionar serias lesiones o la muerte por electrocución.	Cualquier conexión eléctrica o reparación requerida por este producto debe ser efectuada por personal autorizado de los servicios de acuerdo a los códigos eléctricos nacionales y locales.
CONEXIÓN A TIERRA: Dejar de proveer una adecuada conexión a tierra a este producto podría ocasionar lesiones serias o la muerte por electrocución. Ver instrucciones para la puesta a tierra.	Asegúrese que el circuito eléctrico al cual está conectado el compresor, suministra apropiada conexión a tierra, tensión correcta y una adecuada protección de fusibles.

PELIGRO

ADVERTENCIA: Riesgo de inhalación



¿QUÉ PUEDE OCURRIR?	¿CÓMO PREVENIRLO?
El aire comprimido proveniente del compresor no es sano para respirar. El chorro de aire puede contener monóxido de carbono, vapores tóxicos o partículas sólidas provenientes del tanque. La inhalación de dichos contaminantes puede llegar a causar serias lesiones o la muerte.	El aire obtenido directamente del compresor jamás deberá ser utilizado para proveer aire para consumo humano. Para poder utilizar el aire producido por este compresor y hacerlo respirable, deberán instalarse un filtro adecuado y un equipo de seguridad intercalado. Los filtros intercalados tanto como el equipo de seguridad utilizado en conjunto con el compresor, deberán ser capaces de procesar el tratamiento del aire de acuerdo a todos los códigos locales y federales, previo al consumo humano.
El rociado de materiales tales como pintura, solventes, removedores de pintura, insecticidas, mata hierbas, contienen emanaciones dañinas y venenosas.	Trabaje en un área con buena ventilación cruzada. Lea y siga las instrucciones de seguridad provistas en el rótulo o en los datos de las hojas de seguridad del material que está pulverizando. Use el respirador aprobado NIOSH/MSHA designado para utilizarse con su aplicación específica.

PELIGRO

ADVERTENCIA: RIESGO DE QUEMADURAS



¿QUÉ PUEDE OCURRIR?	¿CÓMO PREVENIRLO?
<p>Touchar el metal expuesto tal como el cabezal del compresor o los tubos de salida del escape, puede ocasionarle serias quemaduras.</p>	<p>Jamás toque partes de metal expuestas en el compresor durante o inmediatamente después de la operación. el compresor permanecerá caliente por varios minutos luego de la operación.</p> <p>No lo cubra con fundas protectoras o intente el mantenimiento hasta que la unidad haya alcanzado su enfriamiento.</p>

PELIGRO

ADVERTENCIA: Riesgo de quemaduras



¿QUÉ PUEDE OCURRIR?	¿CÓMO PREVENIRLO?
<p>Partes movibles tales como la polea, el volante y la correa podrían ser la causa de serias lesiones si ellas entraran en contacto con usted o sus ropas.</p>	<p>Nunca opere el compresor sin sus defensas o sus cubiertas removidas o dañadas.</p>
<p>Intentar operar el compresor con sus partes dañadas o faltantes, o la reparación del compresor con sus protecciones removidas, puede exponerlo a usted a partes movibles, que podrían resultar en lesiones serias.</p>	<p>Cualquier reparación requerida por este producto debe ser efectuada por personal autorizado de los servicentros.</p>

PELIGRO

ADVERTENCIA: Riesgo de caída



¿QUÉ PUEDE OCURRIR?	¿CÓMO PREVENIRLO?
<p>Un compresor portátil puede caerse de la mesa, el banco de trabajo o del techo dañando al compresor y pudiendo resultar en serias lesiones o la muerte del operador.</p>	<p>Opere siempre el compresor en una posición estable y segura a fin de prevenir el movimiento accidental de la unidad. Jamás opere el compresor sobre un techo u otra posición elevada. Utilice mangueras adicionales de aire para alcanzar posiciones altas.</p>

PELIGRO

ADVERTENCIA: Riesgo de daños a la propiedad al transportar el compresor

(Fuego, inhalación, daño a la superficie de vehículos)



¿QUÉ PUEDE OCURRIR?	¿CÓMO PREVENIRLO?
<p>el aceite puede derramarse y ello podría resultar en serias lesiones o la muerte debido al riesgo de incendio o inhalación. El derrame de aceite daña alfombras, pinturas u otras superficies de vehículos o remolques.</p>	<p>Deposite el compresor sobre una alfombrilla protectora cuando lo transporte. a fin de proteger al vehículo de pérdidas por goteo, Retire el compresor del vehículo inmediatamente después de su arribo al destino.</p>

PELIGRO

ADVERTENCIA: Riesgo de operación insegura



¿QUÉ PUEDE OCURRIR?

La **operación insegura** de su compresor de aire podría ocasionarle **serias lesiones o la muerte** a usted u otros.

¿CÓMO PREVENIRLO?

Revise y comprenda todas las instrucciones y advertencias contenidas en este manual.

Familiarícese con los métodos de operación y control del compresor de aire.

Mantenga libre la zona de operaciones de persona alguna, animales domésticos y obstáculos.

Mantenga alejados a los niños del compresor de aire en todo momento.

No opere el producto cuando se encuentre fatigado o bajo la influencia del alcohol o drogas. Esté alerta en todo momento.

Jamás altere los elementos de seguridad de este producto.

Equipe la zona de operaciones con un extinguidor de fuego.

No opere la máquina si ésta tiene partes faltantes, rotas o no autorizadas.

GLOSARIO

Familiarícese con los siguientes términos, antes de operar la unidad:

CFM: (Cubic feet per minute) Pies cúbicos por minuto.

SCFM: (Standard cubic feet per minute) Pies cúbicos estándar por minuto; una unidad de medida que permite medir la cantidad de entrega de aire.

PSIG: (Pounds Per Square Inch Gauge) - Presión manométrica efectiva en libras por pulgada cuadrada; una medida de la entrega de aire.

Código de certificación: Los productos que usan una o más de las siguientes marcas: UL, CUL, ETL, CETL, han sido evaluados por OSHA, laboratorios independientes certificados en seguridad, y reúnen los estándares suscriptos por Underwriters Laboratories Standards for safety.

Presión mínima de corte: Cuando el motor está apagado, la presión del tanque de aire baja a medida que usted continúa usando su accesorio. Cuando la presión

del tanque baja al valor fijado en fábrica como punto bajo, el motor volverá a arrancar automáticamente. La presión baja a la cual el motor arranca automáticamente, se llama presión "mínima de corte".

Presión máxima de corte: Cuando un compresor de aire se enciende y comienza a funcionar, la presión de aire en el tanque comienza a aumentar. Aumenta hasta un valor de presión alto fijado en fábrica antes de que el motor automáticamente se apague protegiendo a su tanque de aire de presiones más altas que su capacidad. La presión alta a la cual el motor se apaga se llama presión "máxima de corte".

Ramal: Circuito eléctrico que transporta electricidad desde el panel de control hasta el tomacorriente.

Cómo bloquear la alimentación: Coloque un cerrojo en el interruptor de alimentación para impedir que alguien pueda encenderlo."

CICLO DE SERVICIO

Los compresores de aire deben ser operados a no más del 50% de su ciclo de servicio. Eso significa que si un compresor de aire bombea aire por más del 50% en una hora, está considerado de

uso inadecuado, porque el compresor de aire está subdimensionado para la demanda requerida. 30 minutos por hora debe ser el tiempo máximo de bombeo de un compresor.

ACCESORIOS

Los accesorios pueden encontrarse en el comercio donde fue comprada la unidad.

ENSAMBLADO

Contenido de la Caja

- 1 - Compresor de aire
- 1 - Bolsa de piezas conteniendo losiguiente:
- 1 - Manual del operador
- 1 - Manual de piezas
- 4 - Arandelas de 5/8 plug.

Herramientas necesarias para el ensamble

- 1 - llave de tubo o de boca de 9/16 plug, taladro eléctrico
- 1 - eléctricos taladros

Desembalaje

1. Extraiga todo el embalaje

⚠ PRECAUCIÓN Podrá ser necesario apuntalar o soportar un lado del equipo al extraer la plataforma, porque el compresor de aire tenderá a inclinarse.

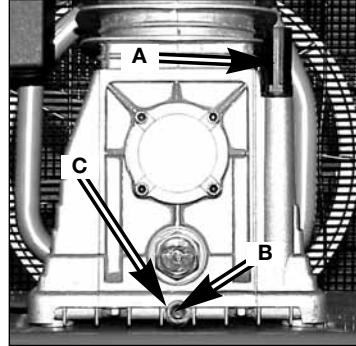
2. Extraiga y descarte los (4) tornillos y arandelas que sujetan el compresor a la plataforma.
3. Con la ayuda de otra persona, remueva cuidadosamente el compresor de aire de su plataforma y colóquelo sobre una plataforma nivelada.

Para agregar aceite a la bomba

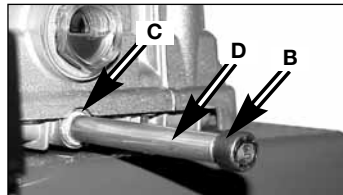
⚠ PRECAUCIÓN Los compresores se envían sin aceite. Al recibir el compresor de aire, puede haber un poco de aceite en la bomba. Esto se debe a las pruebas en la fábrica y no significa que la bomba tiene aceite. No intentar operar este compresor de aire sin antes haberle agregado aceite al cárter. Pueden ocurrir serios daños, inclusive con operaciones limitadas, si no se llena de aceite y no se asienta correctamente. Cerciorarse de seguir cuidadosamente los procedimientos para el arranque inicial.

⚠ PRECAUCIÓN No se deben usar aceites de viscosidad múltiple como 10W30 en ningún compresor de aire. Estos aceites dejan depósitos de carbono en componentes críticos, reduciendo el rendimiento y la vida útil del compresor. Sólo usar aceite para compresor de aire.

1. Extraiga el tapón del aceite (B) y la arandela (C).



2. Tome la extensión del tapón de drenaje de aceite (D), de la bolsa de piezas.



3. Aplique cinta selladora sobre los filetes de rosca de la extensión del tapón de drenaje (D).
4. Ensamble la arandela (C), la extensión del tapón (D) y el tapón de drenaje (B) tal como se muestra en la Fig.
5. Ajuste firmemente.
6. Extraiga el tapón de llenado de aceite (A).
7. Llene la carcasa con el aceite recomendado. **NOTA:** Use aceite para compresor tipo SAE-30 (API CG/CD de servicio pesado para motor). Para condiciones extremas invernales use aceite pesado SAE-20.
8. Reponga el tapón de llenado de aceite (A) y ajuste firmemente.

INSTALACIÓN

Ubicación del compresor de aire

- Instale el compresor de aire en una zona limpia, seca y bien ventilada.
- Instale el compresor de aire a una distancia no menor de 12 plug. (30 cm) de la pared u otras obstrucciones que pudiesen interferir con el flujo del aire.
- Instale el compresor de aire lo más cerca posible del sitio de alimentación eléctrica, a fin de evitar el uso de largas extensiones de cableado eléctrico. **NOTA:** Las extensiones eléctricas demasiado largas pueden causar una caída de tensión perjudicial para la alimentación del motor.
- El filtro de aire debe mantenerse libre de obstrucciones que pudiesen reducir el flujo del aire al compresor.

Anclaje del compresor de aire

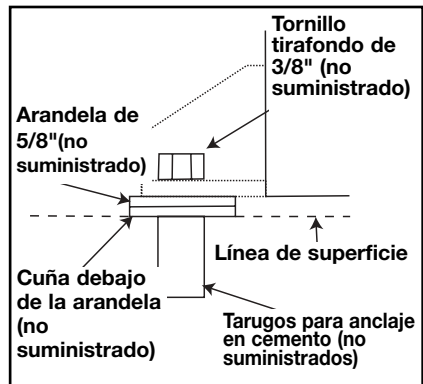
⚠ ADVERTENCIA La vibración excesiva puede debilitar al tanque de aire y causar su explosión. El compresor debe estar montado adecuadamente.

El compresor de aire DEBE estar abulonado a una superficie sólida y nivelada.

Elementos necesarios:

- 4 - Tarugos para anclajes en cemento (No Provisitos)
- 4 - Tornillos tirafondo de 3/8 plug. capaces de llenar los tarugos para anclaje en cemento (no provistos)
- 4 - Arandelas 5/8 plug. (en la bolsa de piezas)
 - Cuñas (en caso de ser necesario)

1. Instale el compresor de aire sobre una superficie sólida y nivelada.
2. Marque la superficie utilizando como plantilla, los orificios existentes en las patas del compresor de aire.
3. Perfore la superficie, a fin de penetrar los tarugos para anclaje en el cemento. Coloque los tarugos en el cemento.
4. Haga coincidir la alineación de los orificios de la superficie, con el de las patas del compresor de aire.
5. Coloque las (4) arandelas (no suministrado) entre el piso y las patas del compresor. Si fuese necesario, pueden colocarse cuñas sólidas entre las arandelas y el piso a fin de distribuir en forma pareja el peso sobre las cuatro patas. Vea la figura siguiente.



6. Coloque los (4) tornillos tirafondo de 3/8 plug. (9 mm) a través de las patas del compresor de aire; de las arandelas y cuñas, hasta llegar a los tarugos de anclaje.
7. Aplique un torque de 7-10 pies-lbs. sobre los tornillos tirafondo de 3/8 plug. (9 mm).

Instrucciones para la conexión eléctrica

⚠ PELIGRO RIESGO DE ELECTROCUCIÓN. Una conexión a tierra inadecuada puede ocasionar electrocución. Las conexiones deberán ser efectuadas por un electricista calificado, para cumplir con los códigos eléctricos nacional y local.

Antes de efectuar las conexiones, un electricista calificado debe conocer lo siguiente:

1. Que el valor promedio del amperaje en la caja eléctrica sea el adecuado. Para obtener dicha información deberá referirse a la hoja de especificaciones del manual de piezas que se encuentra al principio de este manual.
2. Que la línea de suministro eléctrico tenga idénticas características eléctricas (voltaje, ciclos, fases) que las del motor. Para obtener dicha información deberá referirse a la placa de identificación del motor, ubicada sobre el lateral del mismo.

NOTA: La conexión eléctrica debe corresponder al mismo voltaje indicado sobre la placa de identificación del motor mas o menos 10%. Para informarse acerca de las extensiones y calibres de cable recomendadas y máxima extensión del circuito, deberá referirse a los códigos locales; un circuito subdimensionado origina una caída elevada del amperaje y un recalentamiento del motor.

⚠ PRECAUCIÓN La conexión eléctrica debe estar ubicada fuera de superficies calientes, tales como silenciadores de escape, tubos de salida de compresores de aire, cabezales o cilindros.

INSTRUCCIONES PARA CONECTAR A TIERRA

Este artefacto debe conectarse al terminal metálico de un sistema de cableado permanente a tierra para equipos o al terminal del artefacto.

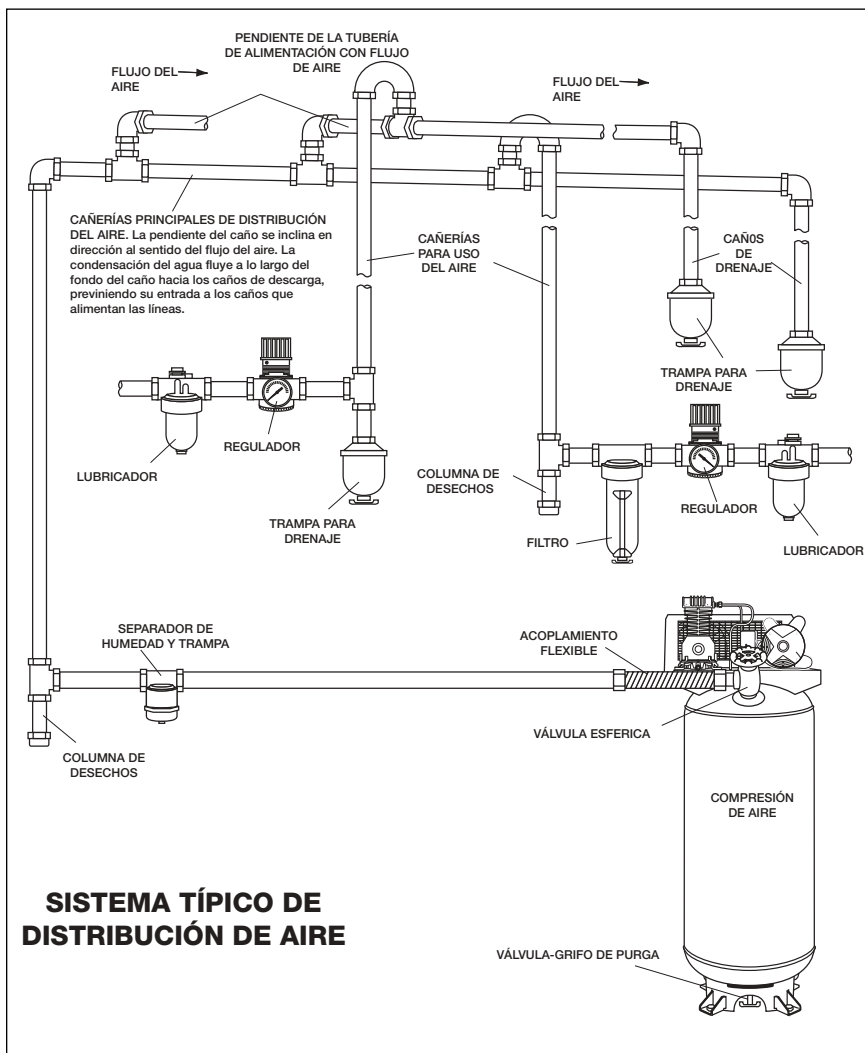
La conexión a tierra está claramente indicada sobre el compresor.

Sistema de distribución de aire

⚠ ADVERTENCIA Los tubos de plástico o PVC no han sido diseñados para usarlos con aire comprimido. Independientemente de lo que esté indicado como especificación de presión, las cañerías de plástico pueden explotar debido a la presión del aire. Utilice solamente caños de metal para los ramales de distribución.

La siguiente imagen representa un sistema típico de distribución de aire. Las siguientes son pautas para tener presente al montar el sistema de distribución del compresor de aire.

- Utilice caño de la misma medida que el de la salida del tanque de aire. Una cañería demasiado angosta restringirá el paso del aire.
 - Si la cañería tiene más de 100 pies (30 m) de longitud, utilice la medida inmediata superior.
 - Entierre la cañería por debajo de la línea de congelamiento y evite huecos en los que la condensación se pudiese acumular y congelar. Efectúe pruebas de presión antes de cubrir la cañería, a fin de asegurarse que todas las uniones de la misma se encuentran libres de fugas.
 - Se recomienda la instalación de un acoplamiento flexible, entre la salida de descarga del aire y la línea principal de distribución del mismo, a fin de aliviar eventuales vibraciones.
- NOTA:** La válvula de corte no se suministra con esta unidad. Debe comprarse por separado.
- Se recomienda la instalación de un segundo regulador para el control de la presión del aire. La presión de salida del tanque es - usualmente - demasiado alta para las herramientas individuales de acción neumática.



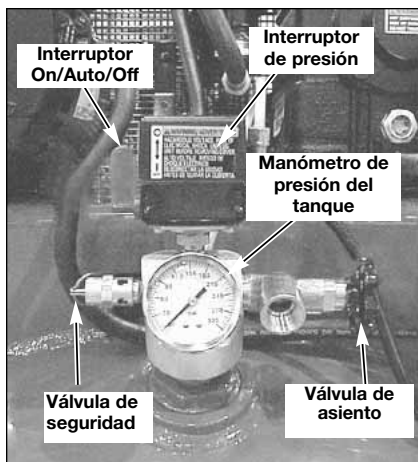
OPERACIÓN

Conozca su compresor de aire

LEA ESTE MANUAL DEL PROPIETARIO Y SUS NORMAS DE SEGURIDAD ANTES DE OPERAR LA UNIDAD. Compare las ilustraciones contra su unidad a fin de familiarizarse con la ubicación de los distintos controles y regulaciones. Conserve este manual para referencias futuras.

Descripción de operaciones

Familiarícese con estos controles antes de operar la unidad.



Interruptor On/Auto/Off: Mueva este interruptor a la posición ON para dar contacto automático al interruptor de presión, y OFF para interrumpir la energía eléctrica al término del uso.

Interruptor de presión: El interruptor de presión permite el arranque automático del motor cuando la presión del tanque disminuye por debajo del valor de la presión de conexión regulada en fábrica. El motor se detendrá cuando la presión del tanque alcance los valores de presión de corte, regulado en fábrica para su desconexión.

Válvula de seguridad: Si el interruptor de presión dejara de cortar el suministro de presión del compresor conforme a los valores prefijados para la presión de corte, la válvula de seguridad protegerá contra la presión elevada, "saltando" de acuerdo a los valores prefijados en fábrica (ligeramente superiores a los de presión de corte de la llave interruptora.)

Manómetro de la presión del tanque: El manómetro que controla la presión del tanque indica la reserva de presión del tanque de aire.

Válvula de asiento: Abre y cierra la válvula de descarga de aire. Gire la perilla en sentido antihorario para abrir, y en sentido horario para cerrar.

Regulador (vendido por separado, no mostrado): Para la mayoría de aplicaciones se recomienda usar un regulador de presión o un transformador de aire separado que combine las funciones de regulación de aire y/o eliminación de humedad y tierra.

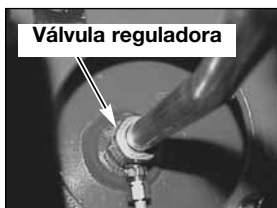
Válvula de drenaje (vendido por separado): La válvula de drenaje se encuentra ubicada sobre la base del tanque de aire y se usa para drenar la condensación al fin de cada uso.



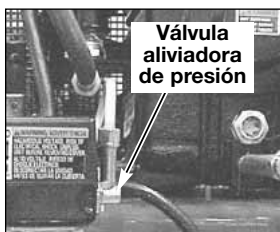
Sistema de enfriamiento (no mostrado): Este compresor contiene un sistema de avanzada para el control de enfriamiento. En el núcleo de este sistema de enfriamiento hay un ventilador especialmente diseñado. Resulta perfectamente normal - para este ventilador - soplar aire en grandes cantidades a través de los orificios de ventilación. De tal manera se podrá saber que el sistema de enfriamiento trabaja cuando el aire está siendo expelido.

Bomba de compresión del aire (no mostrada): Comprime el aire dentro del tanque. El aire de trabajo no se encuentra disponible hasta que el compresor haya alcanzado a llenar el tanque hasta un nivel de presión por encima del requerido para la salida del aire.

Válvula reguladora: Cuando el compresor de aire se encuentra funcionando, la válvula reguladora esta "abierta", permitiendo la entrada del aire comprimido al tanque de aire. Cuando el nivel de presión del tanque alcanza el punto de "corte", la válvula reguladora "se cierra", reteniendo la presión del aire dentro del tanque.



Válvula aliviadora de presión: La válvula aliviadora de presión se encuentra ubicada en el costado del interruptor de presión; ha sido diseñada para liberar automáticamente el aire comprimido de la cabeza compresora y el tubo de salida, cuando el compresor de aire alcanza la presión de "corte" o es apagado. La válvula aliviadora de presión permite el arranque libre del motor. Cuando el motor se detiene, debería escucharse el escape del aire a través de dicha válvula durante unos segundos. No debe escucharse escape alguno mientras el motor está en marcha, ni pérdidas continuas una vez que se alcanzó la presión "de corte".



Filtro para la entrada del aire (no mostrado) Este filtro está diseñado para limpiar el aire que entra a la bomba. Dicho filtro debe estar siempre limpio y los orificios de ventilación libres de obstrucciones. Vea "Mantenimiento".

Cómo utilizar su unidad

Cómo detenerla:

1. Coloque la posición de la llave interruptora On/Auto/Off en la posición "OFF".

Antes de poner en marcha

Procedimiento para el asentamiento

⚠ ADVERTENCIA Si las siguientes instrucciones no fuesen seguidas estrictamente, podrán ocurrir serios daños. Este procedimiento es necesario antes de poner en servicio al compresor de aire, y cuando la válvula reguladora o la bomba completa del compresor haya sido reemplazada.

1. Asegúrese que la palanca On/Auto/Off esté en la posición "OFF".
2. Vuelva a verificar todas las conexiones. Asegúrese que los cables estén firmes en todas los terminales de sus conexiones. Asegúrese que todos los contactos se muevan libremente y que no existan obstrucciones.
3. Abra completamente la válvula de asiento a fin de permitir el escape del aire y prevenir la acumulación de presión de aire dentro del tanque de aire, durante el periodo de asentamiento. **NOTA: La válvula de corte no se suministra con esta unidad. Debe comprarse por separado.**
4. Mueva la palanca On/Auto/Off a la posición 'ON/AUTO'. El compresor se pondrá en marcha.
5. Haga funcionar el compresor durante 20 minutos. Asegúrese que la válvula de asiento esté abierta y que la presión de aire dentro del tanque sea mínima.
6. Aplicando una solución jabonosa, verifique todas las uniones de las cañerías y las conexiones / cañerías a fin de detectar fugas de aire. Corrija si fuese necesario.

NOTA: Pérdidas menores pueden causar una carga adicional de trabajo al compresor, dando como resultado su rotura prematura o una performance inadecuada.

7. Verifique la existencia de vibración excesiva. Reajuste o acuñe el pie del compresor, si ello fuera necesario.
8. Luego de 20 minutos, cierre la válvula de asiento. El aire recibido elevará la presión hasta el punto de "presión de corte", y ello hará detener al motor.

El compresor estará ahora listo para ser usado.

Antes de cada puesta en marcha

1. Coloque el interruptor On/Auto/Off en la posición "OFF" y cierre el regulador de aire.
2. Cierre la válvula de asiento.
3. Conecte la manguera y accesorios.
NOTA: Cuando se utilicen accesorios especificados para menos de 175 PSI deberá instalarse un regulador.

⚠ ADVERTENCIA

Demasiada presión de aire

podrá ser la causa de riesgo de explosión. Verifique los valores de máxima presión dados por el fabricante de las herramientas neumáticas y los accesorios. La presión de salida del regulador jamás debe exceder los valores de máxima presión especificados.

Cómo poner en marcha

1. Mueva la palanca On/Auto/Off a la posición "AUTO" y deje que se incremente la presión del tanque. El motor se detendrá una vez alcanzado el valor de presión "de corte" del tanque.
2. Cuando la presión del tanque alcanza el valor de "presión de corte" se abre la válvula de asiento.

IMPORTANTE: Al utilizar un regulador y otros accesorios, refiérase a las instrucciones del fabricante.

NOTA: Opere siempre el compresor de aire en áreas bien ventiladas, libres de gasolina u otras emanaciones combustibles. Si el compresor será utilizado para utilizar un rociador, NO lo coloque en las cercanías de la zona de rociado.

MANTENIMIENTO

Responsabilidades del cliente

	Antes de cada uso	Cada 8 horas	Cada 40 horas	Cada 100 horas	Cada 160 horas	Cada 500 horas	Anualmente
Verifique la válvula de seguridad	●						
Drenaje del tanque		●					
Verifique el aceite		●					
Cambio de aceite				● ²		● ²	
Ruido inusual y/o vibración		●					
Filtro de aire			● ¹				
Estado de la correa			●				
Alineado de la polea/volante del motor					●		
Válvulas de entrada y escape de la bomba del compresor de aire							●
Inspección de eventuales fugas en las cañerías de aire y las conexiones.	●						
Pernos del Cabezal-Verificar el torque de los pernos del cabezal después de las primeras 5 horas de operación.							
1- Más frecuente en condiciones polvorrientas o húmedas.							
2- Plus fréquemment si l'humidité ou les conditions d'utilisation sont extrêmes.							

⚠ ADVERTENCIA La unidad funciona automáticamente en ciclos cuando está conectada a la energía. Cuando se realizan trabajos de mantenimiento, usted puede estar expuesto a fuentes de voltaje, aire comprimido o piezas en movimiento. Pueden ocurrir lesiones personales. Antes de realizar cualquier trabajo de mantenimiento o reparación, desconecte la fuente de energía del compresor y purgue toda la presión de aire.

Para asegurar una operación eficiente y una vida útil más prolongada del equipamiento de su compresor de aire debe prepararse y seguirse un programa de mantenimiento de rutina. El siguiente programa de mantenimiento de rutina está diseñado para un equipo funcionando diariamente en un ambiente normal de trabajo. Si fuese necesario, el programa deberá ser modificado para adaptarse a las condiciones bajo las cuales se usa su compresor. Las modificaciones dependerán de las horas de operación y del ambiente de trabajo. Los equipos de compresión funcionando en un ambiente sumamente sucio y hostil requerirán mayor frecuencia de todas las verificaciones de mantenimiento.

NOTA: Vea en la sección "Operación" para la ubicación de los controles.

Cómo verificar la válvula de seguridad

⚠ ADVERTENCIA Si la válvula de seguridad no trabaja adecuadamente, ello podrá determinar la sobrepresión del tanque, creando el riesgo de su ruptura o explosión.

1. Antes de poner en marcha el motor, tire del anillo de la válvula de seguridad para confirmar la seguridad de que la misma opera libremente, si la válvula quedase trabada o no trabajara cómodamente, deberá ser reemplazada por el mismo tipo de válvula.

Cómo drenar el tanque

NOTA: La operación del compresor de aire causa condensación que se acumula dentro del tanque de aire. Drene siempre el tanque sobre una superficie lavable o dentro de un contenedor apropiado, con el objeto de prevenir daños o el manchado de superficies.

1. Coloque la palanca On/Auto/Off en la posición "OFF".
2. Cierre la válvula de asiento.
3. Remueva la herramienta neumática o el accesorio.
4. Abra la válvula de asiento y lentamente deje purgar el aire del tanque de aire, hasta que la presión del mismo llegue aproximadamente a 20 PSI.
5. Cierre la válvula de asiento.
6. Drene el agua contenida en el tanque de aire, abriendo la válvula de drenaje ubicada en la base del tanque (en sentido contrario a las agujas de reloj).

▲ ADVERTENCIA El agua se condensa dentro del tanque de aire. Si no se la drena, lo corroerá debilitando sus paredes, poniendo en riesgo la ruptura del tanque de aire.

7. Una vez drenada el agua, cierre la válvula de drenaje (girando en sentido horario). Ahora el compresor de aire podrá ser guardado.

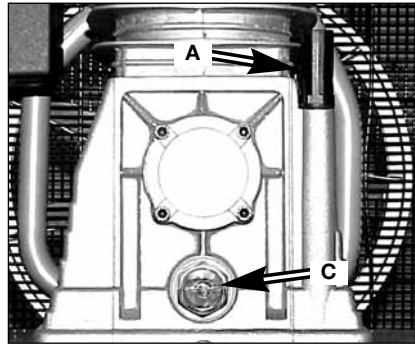
NOTA: Si la válvula de drenaje fuera del tipo enchufe, elimine toda la presión de aire. La válvula podrá entonces ser extraída, limpiada y finalmente reinstalada.

Aceite

NOTA: Use aceite para compresor de aire tal como aceite para motor para servicio pesado SAE-30 (API CG/CD). Bajo extremas condiciones de invierno use aceite pesado SAE-20. **NOTA:** La capacidad de aceite del cárter del cigüeñal es de aproximadamente 60 onzas fluidas (1,8 litros).

Verificación

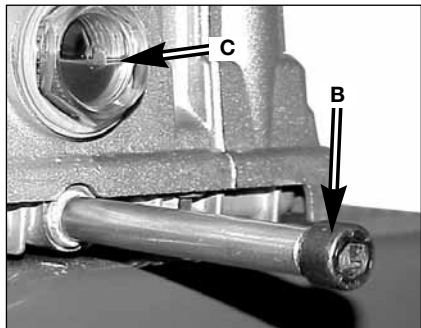
1. El nivel de aceite deberá llegar a la mitad del visor de vidrio (C).



2. En caso de necesidad quite el tapón de llenado de aceite (A) y agregue lentamente aceite hasta alcanzar la mitad del visor de vidrio.

Cambio

1. Extraiga el tapón del aceite (A).
2. Extraiga del tapón de drenaje del aceite (B) y drene el aceite en un recipiente adecuado.
3. Reponga el tapón de drenaje del aceite (B) y ajústelo firmemente.



4. Agregue aceite lentamente al compresor hasta que el nivel alcance la mitad del visor de vidrio (C). **NOTA:** Al llenar el cárter del cigüeñal, el aceite fluye muy lentamente dentro de la bomba. Si el aceite fuese agregado rápidamente rebalsará y aparentará haberse llenado.

▲ PRECAUCIÓN Sobrepasar el nivel de aceite causará la falla prematura del compresor. No exceda su llenado.

5. Reponga el tapón del aceite (A) y ajústelo firmemente.

Filtro de Aire - Inspección y reemplazo

⚠ ADVERTENCIA

Superficies calientes.

Riesgo de quemaduras. Las cabezas del compresor están expuestas cuando se retira la cubierta del filtro. Deje enfriar al compresor antes de darle servicio.

Un filtro de aire sucio no permitirá que el compresor opere a plena capacidad. Mantenga el filtro de aire limpio en todo momento.

1. Retire la tapa del filtro de aire.
2. Extraiga el filtro de aire de la cubierta.

IMPORTANTE: No opere el compresor sin su filtro de aire.

3. Instale un nuevo filtro de aire dentro la cubierta del filtro. Para obtener el número de pieza correcto. Refiérase a "Piezas de reparación"
4. Reponga la cubierta del filtro de aire y sujétela en su sitio.

Correa - Reemplazo

(Referirse al manual de partes de la unidad para obtener el número de parte de la correa de repuesto.)

⚠ ADVERTENCIA

Pueden ocurrir serios daños

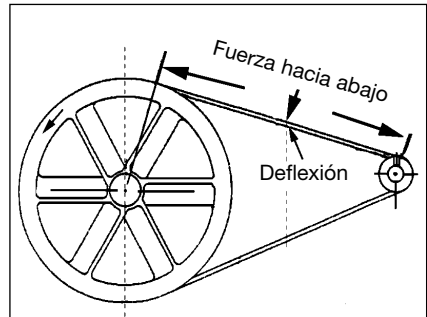
personales si las piezas móviles atrapan partes del cuerpo o artículos sueltos. Nunca opere el equipo sin el cobertor de la correa. Sólo debe quitarse el cobertor de la correa cuando se desconecta el compresor de aire.

1. Apagar el compresor de aire, desconectar el suministro eléctrico, y liberar toda presión de aire dentro del tanque.
2. Extraiga la protección de la correa.
3. Marque la posición de la bomba sobre el montante.
4. Afloje los tornillos montantes del motor y deslice éste hacia el compresor.

5. Retire la correa y reemplácela por una nueva.
6. Vea "Regulación de la tensión de la correa" antes de ajustar los tornillos montantes del motor.

Regulación de la Tensión de la Correa

1. Deslice el motor a su posición original; alinéelo con la marca efectuada antes sobre el montante.
2. Ajuste los dos tornillos exteriores del motor, lo suficiente para sostener a éste en posición hasta verificar la alineación de la polea y el volante.
3. La correa debe flexionarse 4,8 mm (3/16 plug.) en el punto medio de la distancia entre la polea y el volante, cuando, en dicho punto, se le aplica una fuerza de 2,3 Kg (5 libras).



4. Una vez lograda la tensión adecuada, ajuste los cuatro tornillos montantes. Vea el Manual de partes para informarse acerca de las especificaciones de torque.

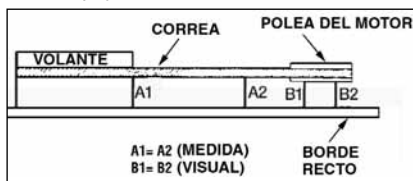
NOTA: Una vez que la polea del motor ha sido movida, a partir de su instalación original de fábrica, las ranuras del volante y la polea deben alinearse dentro un rango de variación de 1/16 plug. (1,6 mm), para prevenir un excesivo desgaste de la correa. Verifique la alineación ejecutando el siguiente procedimiento de alineación polea-volante.

Polea y volante – Alineación

NOTA: Una vez que la polea del motor ha sido movida, punto de su instalación original de fábrica, las ranuras del volante y la polea deben alinearse dentro un rango de variación de 1/16 plug. (1,6 mm), para prevenir un excesivo desgaste de la correa.

El volante del compresor de aire y la polea del motor deben estar en línea (en el mismo plano) dentro de una variación de 1/16 plug. (1,6 mm), para asegurar la retención de la correa dentro de las ranuras del volante. Para verificar la alineación ejecute los siguientes pasos:

1. Apagar el compresor de aire, desconectar el suministro eléctrico, y liberar toda presión de aire dentro del tanque.
2. Remueva la defensa de la correa.
3. Coloque una regla contra el lado exterior del volante y la polea de empuje del motor.



4. Mida la distancia entre el borde de la correa y la regla, en el punto A1-A2 de la figura ser. La diferencia entre las mediciones no debe mayor que 1/16 plug. (1,6 mm).
5. Si la diferencia es mayor o menor que 1/16 plug. (1,6mm), afloje los tornillos de fijación que sostienen la polea de empuje del motor al eje, y ajuste la polea sobre este hasta que las medidas de A1 y A2 se encuentren comprendidas entre 1/16 plug. (1,6 mm).
6. Ajuste los tornillos de fijación de la polea del motor. Vea el Manual de partes para informarse de las especificaciones de torque.
7. Verifique visualmente que la polea de empuje del motor esté perpendicular al eje del mismo. Los puntos B1 y B2 de la figura deben parecer iguales. Si así no fuera, afloje el juego de tornillos de fijación de la polea de empuje del motor e iguale B1 y B2, teniendo cuidado de no alterar la alineación de la correa ejecutada en el paso 2.

8. Reajuste los tornillos de fijación de la polea de empuje del motor. Vea el Manual de partes para informarse de las especificaciones de torque.
9. Reinstale la defensa de la correa.

Válvulas de entrada y salida de la bomba del compresor de aire

Una vez al año haga que un técnico capacitado de servicio inspeccione las válvulas de entrada y salida de la bomba del compresor de aire.

Inspección de las cañerías de aire y las conexiones para detectar fugas

1. Apagar el compresor de aire, desconectar el suministro eléctrico, y liberar toda presión de aire dentro del tanque.
2. Aplique una solución jabonosa a todos los acoplamientos de aire y las conexiones / cañerías.
3. Corrija cualquier pérdida encontrada.

IMPORTANTE: Incluso pérdidas menores, pueden causar una carga adicional de trabajo al compresor, dando como resultado su rotura prematura o una performance inadecuada.

Tornillos del cabezal del compresor de aire. - Torque

Los tornillos del cabezal del compresor de aire deben mantenerse debidamente ajustados. Verifique el torque de los tornillos del cabezal luego de las primeras cinco horas de operación. Reajústelos si fuese necesario. Vea el Manual de partes para informarse de las especificaciones de torque.

SERVICIO Y AJUSTES

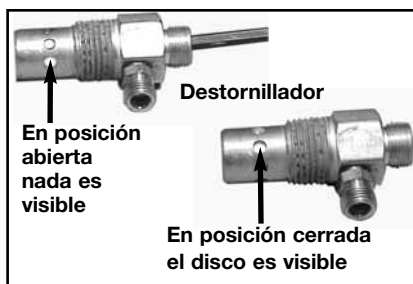
⚠ ADVERTENCIA La unidad cicla automáticamente en cuanto la energía eléctrica es conectada. Al efectuar el mantenimiento, usted quedará expuesto a tensión viva, aire comprimido o partes en movimiento. Debido a tales circunstancias, podrían ocurrirle lesiones personales. Antes de efectuar mantenimiento o reparación alguna, desenchufe el compresor y purgue cualquier presión de aire.

TODO TIPO DE MANTENIMIENTO Y OPERACIONES DE REPARACIÓN NO MENCIONADOS, DEBERÁN SER EFECTUADOS POR PERSONAL TÉCNICO ESPECIALIZADO.

- ⚠ ADVERTENCIA** Antes de dar (servicio):
- Desenchufe o desconecte el suministro eléctrico al compresor de aire.
 - Purgue la presión del tanque.
 - Deje enfriar al compresor de aire.
 - Deje enfriar al compresor de aire.

Para reemplazar o limpiar la válvula de retención

1. Libere toda la presión del tanque de aire. Vea "Cómo Drenar el Tanque" en la sección "Mantenimiento".
2. Desenchufe el equipo.
3. Utilizando una llave regulable, afloje la tuerca del tubo de salida del tanque de aire y la bomba. Retire cuidadosamente la tubería de salida de la válvula de retención.
4. Utilizando una llave regulable, afloje la tuerca del tubo aliviador de presión en el tanque de aire y el interruptor de presión. Retire cuidadosamente la tubería de alivio de presión de la válvula de retención.
5. Desenrosque la válvula de retención girándola hacia la izquierda usando una llave de boca de 7/8 plug. (22 mm). Tome **nota** de la orientación para volverla a ensamblar.
6. Usando un destornillador, empuje con cuidado el disco de la válvula hacia arriba y hacia abajo. **NOTA:** El disco de la válvula debe moverse libremente hacia arriba y hacia abajo sobre un resorte que detiene el disco de la válvula en la posición cerrada. Si no lo hace, la válvula de retención necesita ser limpiada o reemplazada.
7. Limpie o reemplace la válvula de retención. Un solvente, tal como un removedor de pintura o de barniz puede usarse para limpiar la válvula de retención.
8. Aplique sellador a las roscas de la válvula de retención. Vuelva a instalar la válvula de retención (gire a la derecha).
9. Vuelva a instalar la tubería de alivio de presión. Ajuste las tuercas.
10. Vuelva a instalar la tubería de salida y ajuste las tuercas.
11. Ejecute el procedimiento de puesta en marcha. Vea Procedimiento de Puesta en Marcha" en la sección "Operación".



Motor

Este motor tiene un protector manual de sobrecarga térmica. Si el motor se sobrecalienta por cualquier motivo, el protector de sobrecarga apaga el motor. Debe permitirse que el motor enfríe antes de volverlo a arrancar de la siguiente forma:

1. Mover la palanquita de On/Auto/Off a la posición de Off.
2. Permitir que el motor se enfríe.
3. Presionar el botón rojo de Reinicialización (Reset) que está en el motor.
4. Para arrancar el motor mover la palanquita de On/Auto/Off a la posición de On/Auto.



NOTA: Si el protector de sobrecarga apaga el motor con mucha frecuencia, verifique si hay algún posible problema de voltaje. También se puede sospechar de bajo voltaje cuando:

1. El motor no alcanza toda su potencia o velocidad.
2. Los fusibles se queman cuando se arranca el motor; las luces se atenúan y siguen atenuadas cuando el motor es arrancado y está en funcionamiento.

Servicio Adicional

No se recomienda desarmar ni darle servicio a este compresor de aire más allá de lo tratado en este manual. Si se requiere de servicios adicionales, contactarse con el Centro de Servicios de Garantía Autorizado más cercano.

ALMACENAJE

Antes de guardar su compresor de aire, asegúrese de hacer lo siguiente:

1. Revise la sección "Mantenimiento" de las páginas precedentes y ejecute el mantenimiento programado de acuerdo a la necesidad.
2. Coloque la palanca On/Auto/Off en la posición "OFF".
3. Cierre la válvula de asiento
4. Extraiga la herramienta neumática o el accesorio.
5. Abra la válvula de asiento y lentamente deje purgar el aire del tanque de aire, hasta que la presión del mismo llegue aproximadamente a 20 PSI.
6. Drene el agua del tanque de aire abriendo la válvula de drenaje ubicada en el fondo del tanque.

⚠ ADVERTENCIA El agua se condensa dentro del tanque de aire. Si no se drena, ella corroerá debilitando las paredes del tanque de aire, originando un riesgo de ruptura de sus paredes.

7. Una vez que el agua haya sido drenada, cierre la válvula de drenaje.

NOTA: Si la válvula de drenaje estuviese enchufada, libere toda la presión de aire. La válvula podrá ser extraída, limpiada y luego reinstalada.

8. Proteja la manguera del aire de daños (tales como ser pisoteada o caminar por encima).

Almacene el compresor de aire en un sitio limpio y seco.

GUÍA DE DIAGNÓSTICO DE PROBLEMAS

⚠ ADVERTENCIA

El desarrollo de reparaciones puede exponer a sitios con corriente viva, partes en movimiento o fuentes de aire comprimido que podrían ocasionar lesiones personales. Antes de intentar reparación alguna, desenchufe el compresor de aire y purgue toda la presión de aire del tanque.

PROBLEMA	CAUSA	CORRECCIÓN
Presión excesiva del tanque - la válvula de seguridad se dispara.	<p>El interruptor de presión no interrumpe al motor cuando el compresor alcanza la presión "de corte".</p> <p>El interruptor de presión "de corte" esta calibrado demasiado alto.</p>	<p>Mueva la palanca On/Auto/Off a la posición "OFF", si el equipo no corta, contacte a un técnico calificado para el servicio.</p> <p>Contacte a un técnico de servicio calificado.</p>
Las conexiones pierden aire.	Las conexiones de los tubos no están suficientemente ajustadas	Ajuste las conexiones en las que el aire puede ser escuchado escapándose. Verifique las conexiones con solución jabonosa y agua. NO SOBREAJUSTE.
Hay fugas de aire en la válvula de retención o dentro de ella.	Compruebe si el asiento de la válvula está dañado.	Una válvula de retención defectuosa causa una fuga constante de aire en la válvula de alivio de presión cuando hay presión en el tanque y se apaga el compresor. Reemplace la válvula de retención. Consulte "Cómo Reemplazar o Limpiar la Válvula de Retención" en la sección "Operación".
Pérdida de presión de aire en el interruptor de la válvula aliviadora.	Un interruptor de presión defectuoso libera la válvula.	Contacte a un técnico calificado en servicio.
Pérdida de aire en el tanque de aire o en las soldaduras del tanque de aire.	Tanque de aire defectuoso.	<p>El tanque de aire debe ser reemplazado. No repare la pérdida.</p> <p style="text-align: center;">⚠ ADVERTENCIA</p> <p>No efectúe perforación alguna sobre la soldadura o cosa semejante sobre el tanque de aire, ello lo debilitará. El tanque podría romperse o explotar.</p>
Pérdida de aire entre el cabezal y el plato de válvula.	Pérdida en el sellado.	Contacte a un técnico calificado en servicio.

PROBLEMA	CAUSA	CORRECCIÓN
La lectura de la presión sobre el manómetro regulado (si viene equipado con él) descendiende al utilizar un accesorio.	Es normal que ocurra algún descenso en la presión.	Si se trata de una excesiva cantidad en la merma de presión cuando se agrega el uso de un accesorio, ajuste el regulador de acuerdo a las instrucciones dadas en la sección Operación. NOTA: Ajuste la presión regulada bajo condiciones de flujo (mientras se esté usando el accesorio).
Pérdida de aire en la válvula de seguridad.	Probable defecto en la válvula de seguridad.	Opere manualmente la válvula de seguridad tirando de su anillo. Si la válvula aun pierde, deberá ser reemplazada.
El compresor no esta suministrando suficiente cantidad de aire para operar los accesorios.	<p>Excesivo y prolongado uso del aire.</p> <p>El compresor no tiene suficiente capacidad para el requerimiento de aire al que está sometido.</p> <p>Orificio en la manguera.</p> <p>Válvula reguladora restringida.</p> <p>Pérdida de aire.</p> <p>Filtro de entrada de aire restringido.</p> <p>Correa suelta.</p>	<p>Disminuya la cantidad de uso de aire.</p> <p>Verifique el requerimiento de aire del accesorio. Si es mayor que SCFM o la presión suministrada por su compresor de aire, se necesita un compresor de mayor capacidad.</p> <p>Verifique y reemplace si fuese necesario.</p> <p>Extraiga, limpie o reemplace.</p> <p>Ajuste las conexiones.</p> <p>Limpie o reemplace el filtro de entrada de aire. No opere el compresor de aire sin el filtro. Consulte el párrafo "Filtro de Aire" en la sección "Mantenimiento".</p> <p>Afloje la tuerca mariposa y luego ajústela hasta que contacte a la arandela plana, más un giro.</p>
Toma de aire restringida.	Filtro de aire sucio.	Limpie o reemplace. Ver el párrafo "filtro de aire" en la sección Mantenimiento.
Salta la válvula de seguridad (si viene equipado con ella).	El interruptor de presión, la válvula de retención o la bomba pueden estar necesitando mantenimiento.	Contacte a un técnico calificado en servicio.

PROBLEMA	CAUSA	CORRECCIÓN
<p>El motor no funciona.</p>	<p>El interruptor de protección des obrecarga del motor se ha abierto.</p> <p>La presión del tanque excede la presión de "corte máximo" del interruptor de presión.</p> <p>La válvula de retención se ha quedado abierta.</p> <p>Conexiones eléctricas sueltas.</p> <p>Posible motor o capacitor de arranque defectuosos.</p> <p>Rociado de pintura en las partes internas del motor.</p> <p>La válvula de liberación de presión en el interruptor de presión no ha descargado la carga de presión.</p> <p>Fusible quemado, disyuntor abierto.</p>	<p>Deje enfriar el motor y el interruptor de sobrecarga se reajustará automáticamente.</p> <p>El motor arrancará automáticamente cuando la presión del tanque caiga por debajo de la presión de corte máxima del interruptor de presión.</p> <p>Retire y limpie, o reemplace.</p> <p>Compruebe la conexión de cableado dentro del interruptor de presión y del área de la caja de terminales.</p> <p>Haga inspeccionar por un técnico capacitado de servicio.</p> <p>Haga inspeccionar por un técnico capacitado de servicio. No haga funcionar el compresor en el área de pintura por rociado. Vea la advertencia acerca de vapores inflamables.</p> <p>Purgue la línea empujando la palanca en el interruptor de presión a la posición "Off" [Apagado]; si la válvula no se abre, reemplace el interruptor.</p> <ol style="list-style-type: none"> 1. Inspeccione la caja de fusibles para determinar si hay fusibles quemados y replácelos según sea necesario. Reajuste el disyuntor. No use un fusible o disyuntor con capacidad mayor que la especificada para su circuito especificado. 2. Compruebe si el fusible es el correcto. Debe usar un fusible de acción retardada. 3. Compruebe si existen condiciones de bajo voltaje y/o si el cordón de extensión es el correcto. 4. Desconecte todos los otros artefactos eléctricos del circuito u opere el compresor en su propio circuito.

PROBLEMA	CAUSA	CORRECCIÓN
Golpeteo.	Posible defecto en la válvula de seguridad.	Opere la válvula de seguridad manualmente tirando de su anillo. Si la válvula aun pierde, deberá ser reemplazada.
	Posible defecto en la válvula de seguridad.	Extraiga y limpie o reemplace.
	Polea floja.	Ajuste el tornillo de la polea a, 33-37 pulg.-lbs.
	Volante flojo.	Ajuste el tornillo del volante, 20-25 pies-lbs.
	Tornillos montantes del compresor flojos.	Ajustar los tornillos de montaje a , 20-25 pies-lbs.
	Correa floja.	Verifique la tensión de la correa; vea Regulación de la tensión de la correa, en la sección Mantenimiento.
	Acumulación de carbón en la bomba. Correa demasiado ajustada.	Hágala verificar por un técnico entrenado. Verifique la tensión de la correa; vea Regulación de la tensión de la correa, en la sección Mantenimiento.
Excesivo desgaste de la correa.	Correa suelta.	Verifique la tensión de la correa; vea Regulación de la tensión de la correa, en la sección Mantenimiento.
	Correa demasiado ajustada.	Verifique la tensión de la correa; vea Regulación de la tensión de la correa, en la sección Mantenimiento.
	Polea floja.	Hágala verificar por un técnico entrenado.
	Polea desalineada.	Ver el párrafo "alineación de polea/volante del motor" en la sección Mantenimiento.
Sonido a chiflido.	La bomba del compresor no tiene aceite.	Ver "verificación del aceite" en la sección Mantenimiento.
	Correa suelta.	Verifique la tensión de la correa; vea Regulación de la tensión de la correa, en la sección Mantenimiento.

NOTAS

NOTAS

NOTAS

Get it fixed, at your home or ours!

Your Home

For repair – **in your home** – of **all** major brand appliances, lawn and garden equipment, or heating and cooling systems, **no matter who made it, no matter who sold it!**

For the replacement parts, accessories and owner's manuals that you need to do-it-yourself.

For Sears professional installation of home appliances and items like garage door openers and water heaters.

1-800-4-MY-HOME[®] Anytime, day or night
(1-800-469-4663) (U.S.A. and Canada)
www.sears.com **www.sears.ca**

Our Home

For repair of carry-in products like vacuums, lawn equipment, and electronics, call or go on-line for the nearest **Sears Parts and Repair Center.**

1-800-488-1222 Anytime, day or night (U.S.A. only)
www.sears.com

To purchase a protection agreement on a product serviced by Sears:

1-800-827-6655 (U.S.A.) **1-800-361-6665** (Canada)

Para pedir servicio de reparación a domicilio, y para ordenar piezas:

1-888-SU-HOGARSM
(1-888-784-6427)

Au Canada pour service en français:

1-800-LE-FOYER^{MC}
(1-800-533-6937)
www.sears.ca

SEARS

© Sears, Roebuck and Co.

® Registered Trademark / ™ Trademark / SM Service Mark of Sears, Roebuck and Co.

© Marca Registrada / ™ Marca de Fábrica / SM Marca de Servicio de Sears, Roebuck and Co.

^{MC} Marque de commerce / ^{MD} Marque déposée de Sears, Roebuck and Co.