

SAMSUNG

COLOR TELEVISION RECEIVER

Chassis : KS1A(P)
Model : CS15K8SX/XHK CS21S1SX/XSG
CS21S1ZX/AWE CS21S4WX/BWT
CZ21S4TX/BOB CS21S4STX/AWE
CS21S4SX/AWE CS21S4ZX/AWE
CZ21D8TX/BOB CS21D8SX/XSG
CS21D8ZX/AWE

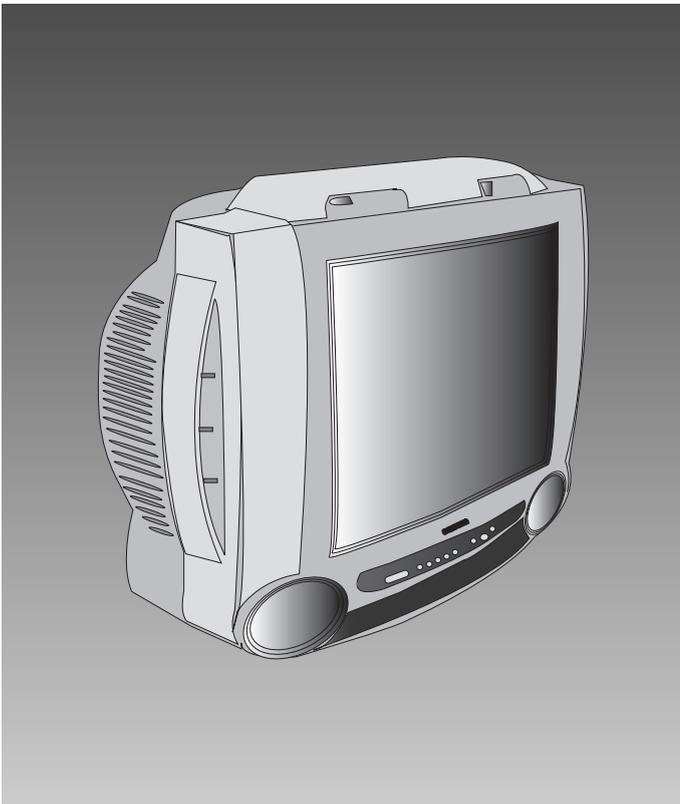
QQ :376315150

2007.04.26

手机:13942296513

SERVICE *Manual*

COLOR TELEVISION RECEIVER



CONTENTS

1. Precautions
2. Specifications and IC Data
3. Disassembly and Reassembly
4. Alignment and Adjustment
5. Troubleshooting
6. Exploded View and Parts List
7. Electrical Parts List
8. Block Diagram
9. Wiring Diagram
10. Schematic Diagrams



ELECTRONICS

1. Precautions

Follow these safety, servicing and ESD precautions to prevent damage and protect against potential hazards such as electrical shock and X-rays.

1-1 Safety Precautions

1. Be sure that all of the built-in protective devices are replaced. Restore any missing protective shields.
2. When reinstalling the chassis and its assemblies, be sure to restore all protective devices, including: nonmetallic control knobs and compartment covers.
3. Make sure that there are no cabinet openings through which people—particularly children—might insert fingers and contact dangerous voltages. Such openings include the spacing between the picture tube and the cabinet mask, excessively wide cabinet ventilation slots, and improperly fitted back covers.

If the measured resistance is less than 1.0 megohm or greater than 5.2 megohms, an abnormality exists that must be corrected before the unit is returned to the customer.

4. Leakage Current Hot Check (Figure 1-1):
Warning: Do not use an isolation transformer during this test. Use a leakage-current tester or a metering system that complies with American National Standards Institute (ANIS C101.1, Leakage Current for Appliances), and Underwriters Laboratories (UL Publication UL1410, 59.7).
5. With the unit completely reassembled, plug the AC line cord directly into the power outlet. With the unit's AC switch first in the ON position and then OFF, measure the current between a known earth ground (metal water pipe, conduit, etc.) and all exposed metal parts, including: antennas, handle brackets, metal cabinets, screwheads and control shafts. The current measured should not exceed 0.5 milliamp. Reverse the power-plug prongs in the AC outlet and repeat the test.

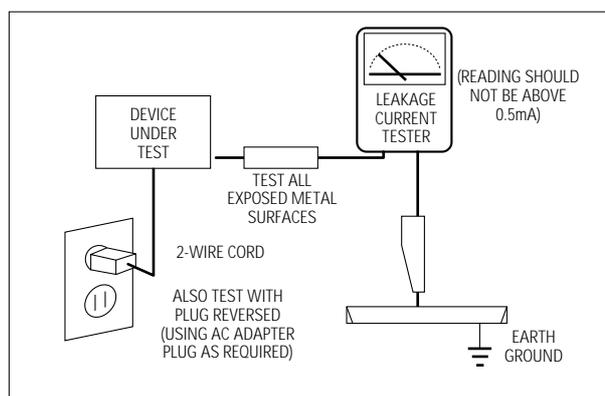


Fig. 1-1 AC Leakage Test

6. Antenna Cold Check:
With the unit's AC plug disconnected from the AC source, connect an electrical jumper across the two AC prongs. Connect one lead of the ohmmeter to an AC prong. Connect the other lead to the coaxial connector.
7. X-ray Limits:
The picture tube is especially designed to prohibit X-ray emissions. To ensure continued X-ray protection, replace the picture tube only with one that is the same type as the original. Carefully reinstall the picture tube shields and mounting hardware; these also provide X-ray protection.
8. High Voltage Limits:
High voltage must be measured each time servicing is done on the B+, horizontal deflection or high voltage circuits. Correct operation of the X-ray protection circuits must be reconfirmed whenever they are serviced.
(X-ray protection circuits also may be called "horizontal disable" or "hold-down".)

Heed the high voltage limits. These include the X-ray Protection Specifications Label, and the Product Safety and X-ray Warning Note on the service data schematic.

1-1 Safety Precautions (Continued)

9. High voltage is maintained within specified limits by close-tolerance, safety-related components and adjustments. If the high voltage exceeds the specified limits, check each of the special components.
10. Design Alteration Warning:
Never alter or add to the mechanical or electrical design of this unit. Example: Do not add auxiliary audio or video connectors. Such alterations might create a safety hazard. Also, any design changes or additions will void the manufacturer's warranty.
11. Hot Chassis Warning:
Some TV receiver chassis are electrically connected directly to one conductor of the AC power cord. If an isolation transformer is not used, these units may be safely serviced only if the AC power plug is inserted so that the chassis is connected to the ground side of the AC source.

To confirm that the AC power plug is inserted correctly, do the following: Using an AC voltmeter, measure the voltage between the chassis and a known earth ground. If the reading is greater than 1.0V, remove the AC power plug, reverse its polarity and reinsert. Re-measure the voltage between the chassis and ground.
12. Some TV chassis are designed to operate with 85 volts AC between chassis and ground, regardless of the AC plug polarity. These units can be safely serviced only if an isolation transformer inserted between the receiver and the power source.
13. Some TV chassis have a secondary ground system in addition to the main chassis ground. This secondary ground system is not isolated from the AC power line. The two ground systems are electrically separated by insulating material that must not be defeated or altered.
14. Components, parts and wiring that appear to have overheated or that are otherwise damaged should be replaced with parts that meet the original specifications. Always determine the cause of damage or overheating, and correct any potential hazards.
15. Observe the original lead dress, especially near the following areas: Antenna wiring, sharp edges, and especially the AC and high voltage power supplies. Always inspect for pinched, out-of-place, or frayed wiring. Do not change the spacing between components and the printed circuit board. Check the AC power cord for damage. Make sure that leads and components do not touch thermally hot parts.
16. Picture Tube Implosion Warning:
The picture tube in this receiver employs "integral implosion" protection. To ensure continued implosion protection, make sure that the replacement picture tube is the same as the original.
17. Do not remove, install or handle the picture tube without first putting on shatterproof goggles equipped with side shields. Never handle the picture tube by its neck. Some "in-line" picture tubes are equipped with a permanently attached deflection yoke; do not try to remove such "permanently attached" yokes from the picture tube.
18. Product Safety Notice:
Some electrical and mechanical parts have special safety-related characteristics which might not be obvious from visual inspection. These safety features and the protection they give might be lost if the replacement component differs from the original—even if the replacement is rated for higher voltage, wattage, etc.

Components that are critical for safety are indicated in the circuit diagram by shading, () or ().
Use replacement components that have the same ratings, especially for flame resistance and dielectric strength specifications. A replacement part that does not have the same safety characteristics as the original might create shock, fire or other hazards.

1-2 Servicing Precautions

Warning1: First read the "Safety Precautions" section of this manual. If some unforeseen circumstance creates a conflict between the servicing and safety precautions, always follow the safety precautions.

Warning2: An electrolytic capacitor installed with the wrong polarity might explode.

1. Servicing precautions are printed on the cabinet. Follow them.
2. Always unplug the unit's AC power cord from the AC power source before attempting to: (a) Remove or reinstall any component or assembly, (b) Disconnect an electrical plug or connector, (c) Connect a test component in parallel with an electrolytic capacitor.
3. Some components are raised above the printed circuit board for safety. An insulation tube or tape is sometimes used. The internal wiring is sometimes clamped to prevent contact with thermally hot components. Reinstall all such elements to their original position.
4. After servicing, always check that the screws, components and wiring have been correctly reinstalled. Make sure that the portion around the serviced part has not been damaged.
5. Check the insulation between the blades of the AC plug and accessible conductive parts (examples: metal panels, input terminals and earphone jacks).
6. Insulation Checking Procedure: Disconnect the power cord from the AC source and turn the power switch ON. Connect an insulation resistance meter (500V) to the blades of the AC plug.

The insulation resistance between each blade of the AC plug and accessible conductive parts (see above) should be greater than 1 megohm.
7. Never defeat any of the B+ voltage interlocks. Do not apply AC power to the unit (or any of its assemblies) unless all solid-state heat sinks are correctly installed.
8. Always connect a test instrument's ground lead to the instrument chassis ground before connecting the positive lead; always remove the instrument's ground lead last.

1-3 Precautions for Electrostatically Sensitive Devices (ESDs)

1. Some semiconductor (“solid state”) devices are easily damaged by static electricity. Such components are called Electrostatically Sensitive Devices (ESDs); examples include integrated circuits and some field-effect transistors. The following techniques will reduce the occurrence of component damage caused by static electricity.
2. Immediately before handling any semiconductor components or assemblies, drain the electrostatic charge from your body by touching a known earth ground. Alternatively, wear a discharging wrist-strap device. (Be sure to remove it prior to applying power—this is an electric shock precaution.)
3. After removing an ESD-equipped assembly, place it on a conductive surface such as aluminum foil to prevent accumulation of electrostatic charge.
4. Do not use freon-propelled chemicals. These can generate electrical charges that damage ESDs.
5. Use only a grounded-tip soldering iron when soldering or unsoldering ESDs.
6. Use only an anti-static solder removal device. Many solder removal devices are not rated as “anti-static”; these can accumulate sufficient electrical charge to damage ESDs.
7. Do not remove a replacement ESD from its protective package until you are ready to install it. Most replacement ESDs are packaged with leads that are electrically shorted together by conductive foam, aluminum foil or other conductive materials.
8. Immediately before removing the protective material from the leads of a replacement ESD, touch the protective material to the chassis or circuit assembly into which the device will be installed.
9. Minimize body motions when handling unpackaged replacement ESDs. Motions such as brushing clothes together, or lifting a foot from a carpeted floor can generate enough static electricity to damage an ESD.

2. Specifications and IC Data

2-1 Specifications

Television System:

MODEL	SYSTEM
CI	PAL-I (UHF)
CII	PAL-I (VHF/UHF)
CX	PAL-B/G, SECAM-B/G
CK	PAL-B/G, D/K, SECAM-B/G, D/K
CW	PAL-B/G, D/K, SECAM-B/G, D/K, NT 4.43
CS	PAL-B/G, D/K, SECAM-B/G, D/K, NT4.43, NT3.58

Channels:

System Band	PAL/SECAM-B/G,I	PAL, SECAM- D/K	SECAM-K1, PAL-D	NTSC - M
VHF	2 - 12	1 - 13	2 - 9	2 - 13
UHF	21 - 69	21 - 69	13 - 57	14-69

Intermediate Frequencies (MHz) :

SYSTEM IF Carrier Frequency	PAL/ SECAM- B/G	PAL/SECAM-D/K, SECAM-K1	PAL - I	NTSC - M
Picture IF Carrier	38.90	38.90	38.90	38.90
Sound IF Carrier	33.40	32.40	32.90	34.40
Color Sub Carrier	34.47	34.47	34.47	35.32

Picture Tube:

14 Inch	A34KQV42X	Quick start, in-line-gun, Black stripe, 90°degree deflection
20 Inch	A48KRD82X(H)	
21 Inch	A51KQJ63X	

Power Requirements:

AC 100-240V, 50/60Hz

Antenna Input Impedance:

VHF, UHF : Telescopic dipole antenna (75 ohm unbalanced type)

Speaker Impedance

8 ohm, 5W+5W (Dual Type)
16 ohm, 3W (Monitor Type & Dual Type)

2-2 IC Line Up

Table 2-1 IC Line-Up			
Loc. No	Specification	Description	Remark
HC101	PAP103	IF PRE-AMP	
IC201S	SPM802ER	TTX, English/Croatian/Romanian/Hungarian/Polish/Czech/ Bulgarian/Russian/Portugal	Philips
	SPM802ERN	W/O TTX, English/Croatian/Romanian/Hungarian/Polish/Czech/ Bulgarian/Russian/Portugal	
IC301	LA7840	VERTICAL OUTPUT	Sanyo
IC501	TDA6107Q	RGB DRIVE AMP	Philips
IC601	TDA7266S	SOUND-AMP (3W x 1CH or 3W x 2CH or 5W x 2CH)	
IC801S	KA5Q0765R	POWER IC (STR)	
IC802	KA7632	CUSTOM REGULATOR (5V, 8V, 3.3V)	
IC902	24C08/KS28C040	EEPROM	
PC801S	TCET1108 / LTV817B	PHOTO COUPLER	
IC101	U4468B	SIF - IC	TEMIC

2-3 Semiconductor Base Diagrams

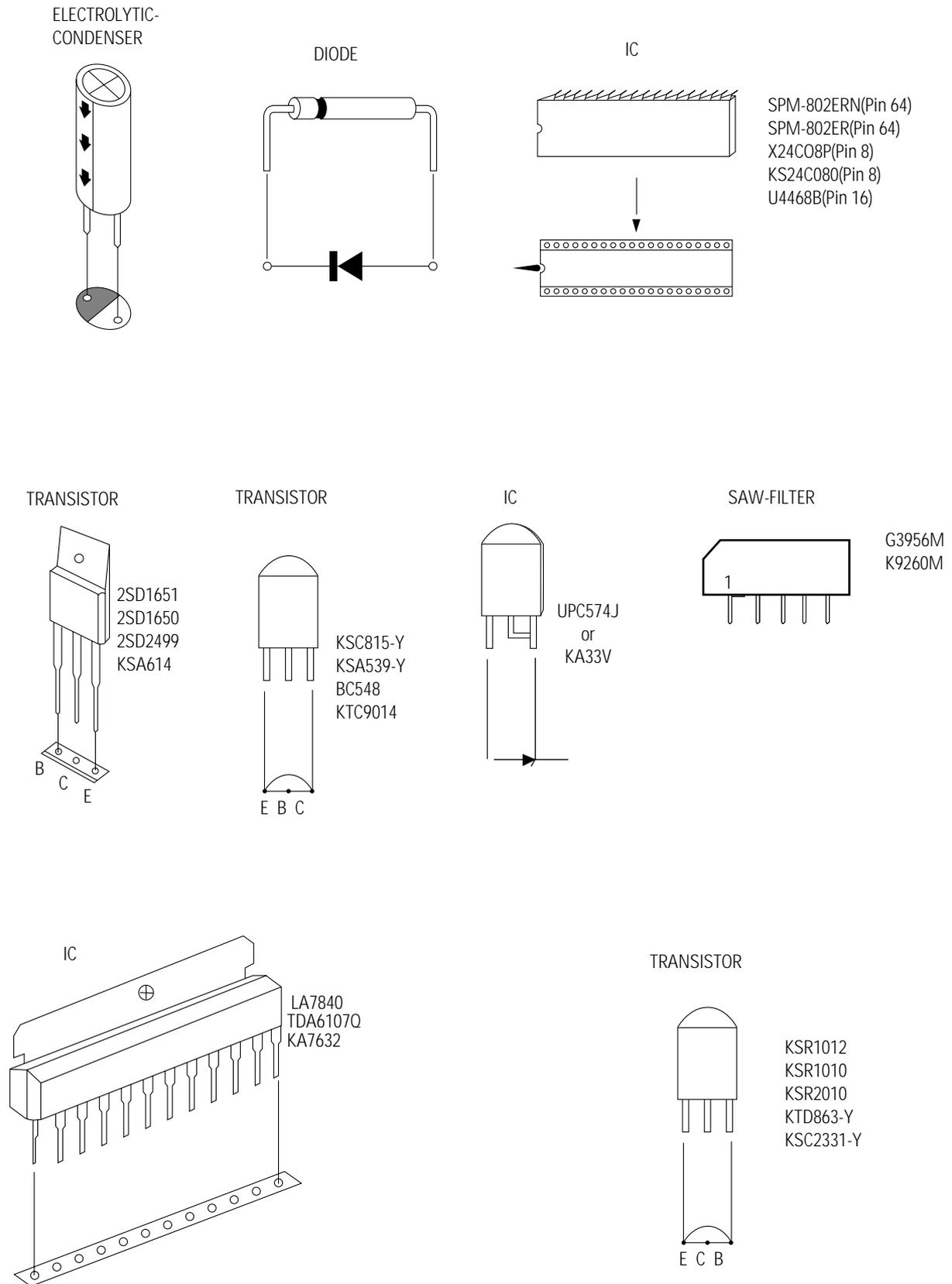
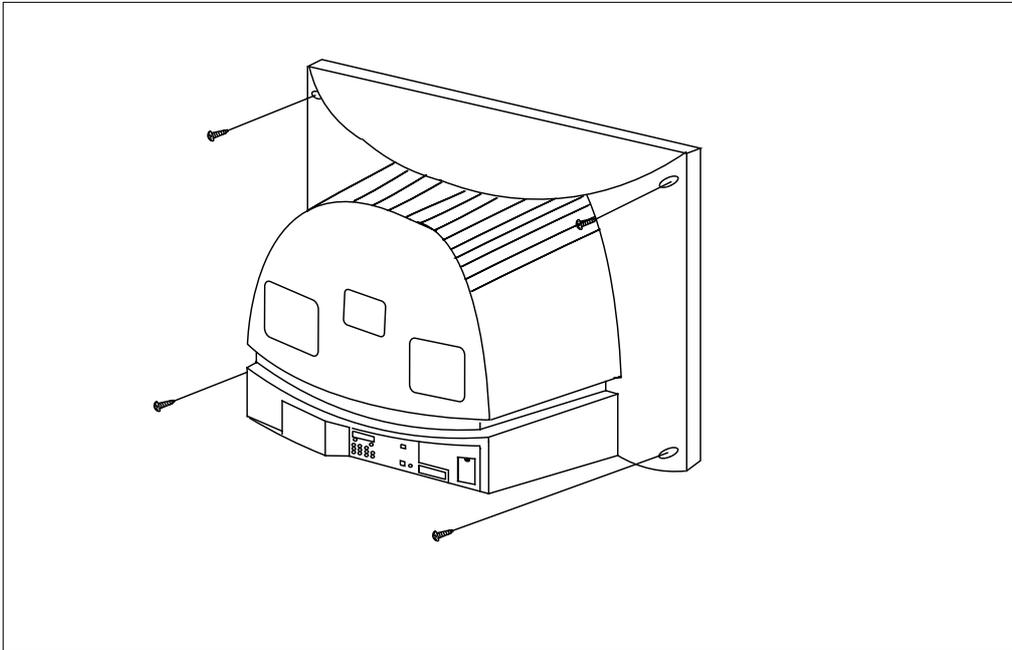


Fig. 2-1 Semiconductor Base Diagrams

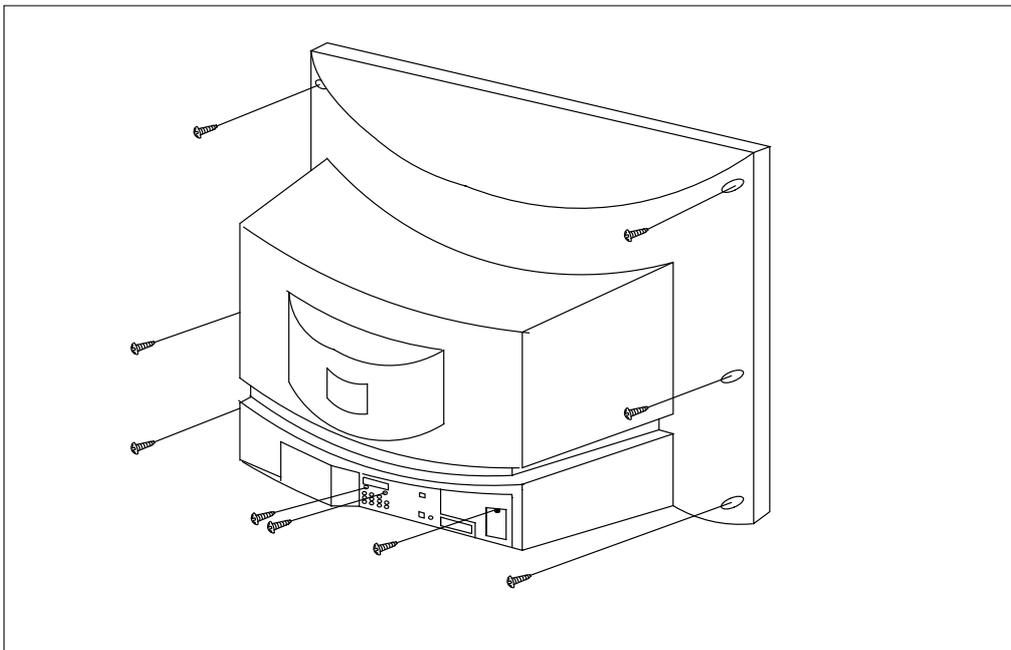
MEMO

3. Disassembly and Reassembly

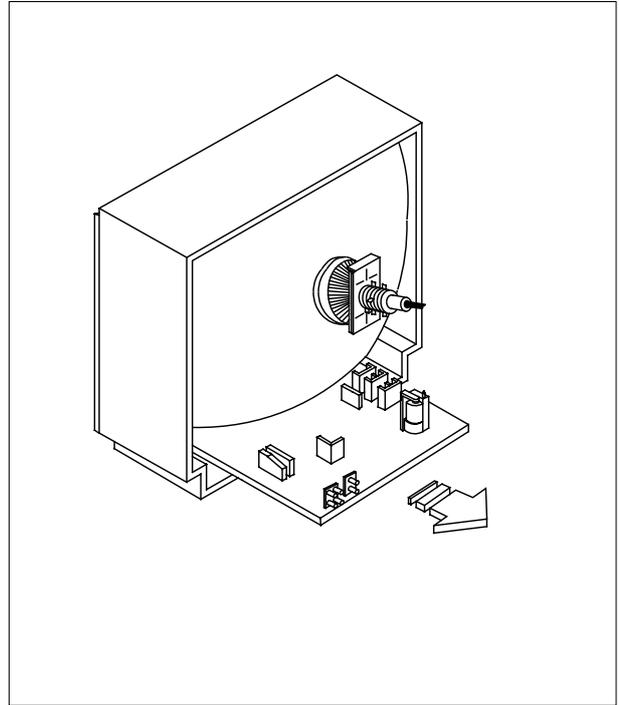
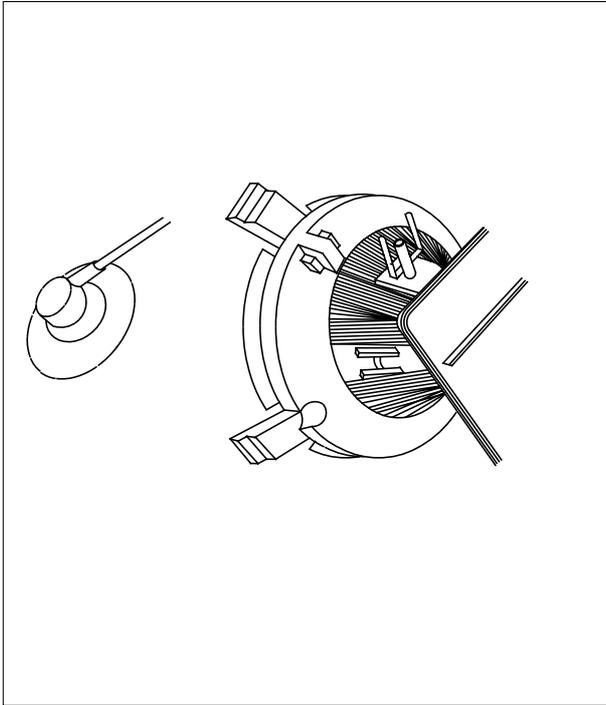
3-1 Back Cover Removal



1. After removing the screws, press the tension rib and pull the cabinet backwards.
2. To reassemble, press the tension rib (see diagram).



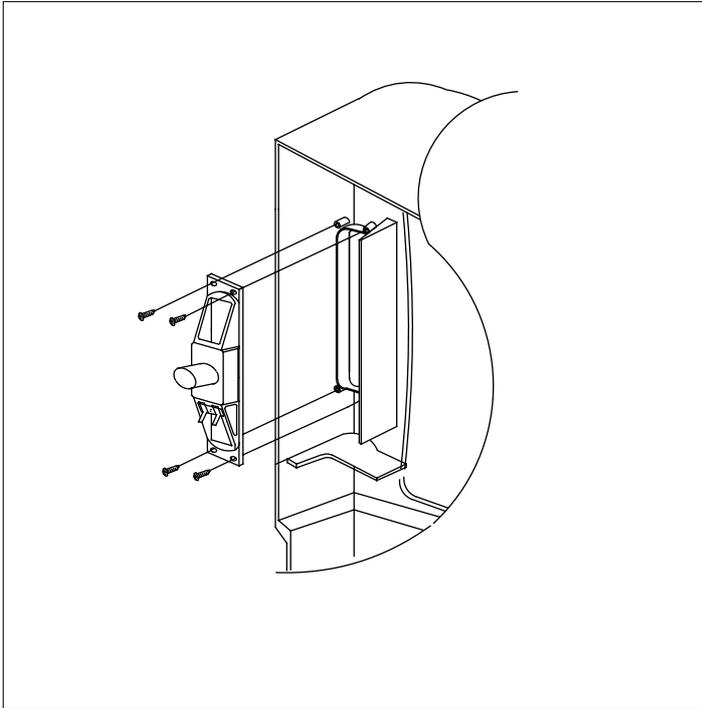
3-2 Main Board Removal



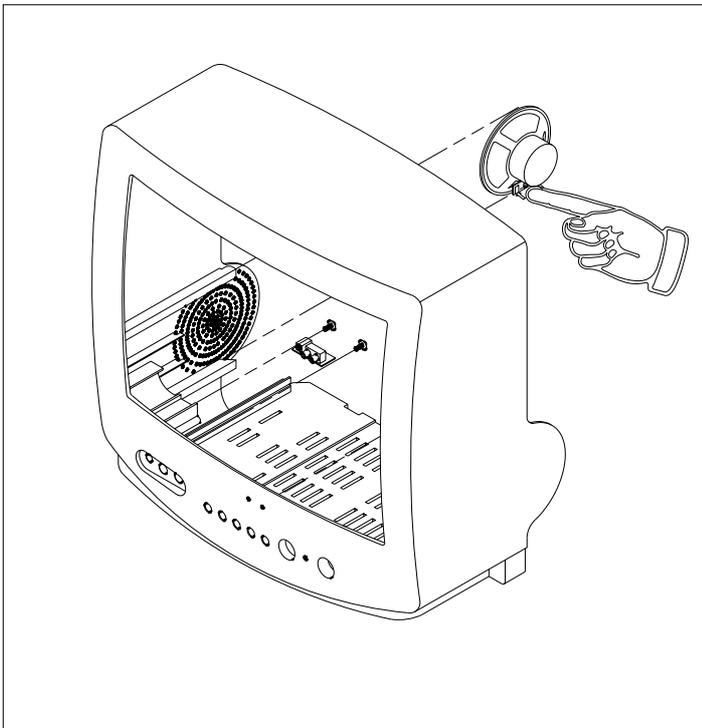
1. Separate the socket board from the CRT neck.
2. Remove the Anode Cap from the CRT.
3. Remove the main board by pulling it with both hands.

Warning: The FBT is charged with high voltage. Before removing the Anode Cap, discharge the voltage through one of the heat sinks on the main board.

3-3 Speaker Removal

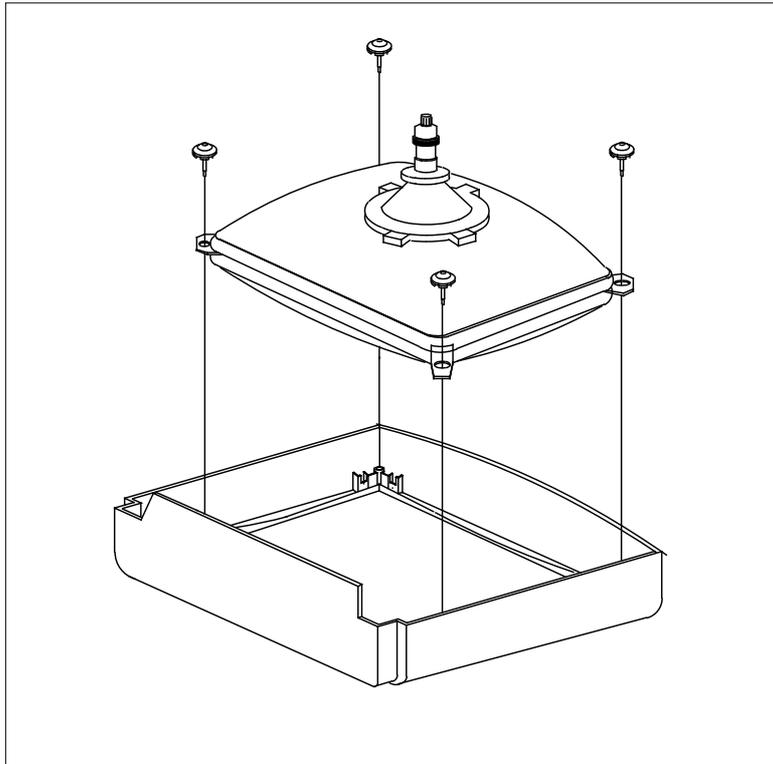


1. Remove the speaker by pressing the tension rib.



1. Remove the screws.
2. Remove the speaker by pressing the tension rib.

3-4 CRT Removal



1. Spread a soft mat on the floor. Place the TV set face down.
2. Remove the 4 nuts mounting the CRT to the front cabinet. Lift the CRT.
3. **Caution:** Because of the high vacuum and large surface area of the picture tube, be careful while handling it: (1) Always lift the picture tube by grasping it firmly around the faceplate, (2) Never lift the tube by its neck. (3) Do not scratch the picture tube or apply excessive pressure. Fractures of the glass may cause an implosion.

4. Alignment and Adjustments

4-1 Preadjustment

4-1-1 Factory Mode

1. Do not attempt these adjustments in the Video Mode.
2. The Factory Mode adjustments are necessary when either the EEPROM (IC902) or the CRT is replaced.
3. Do not tamper with the "Adjustment" screen of the Factory Mode menu. This screen is intended only for factory use.

4-1-2 When EEPROM (IC902) Is Replaced

1. When IC902 is replaced all adjustment data revert to initial values. It is necessary to re-program this data.
2. After IC902 is replaced, warm up the TV for 10 seconds.

4-1-3 When CRT Is Replaced

1. Make the following adjustments AFTER setting up after setting up purity and convergence :

White Balance
 Sub-Brightness
 Vertical Center
 Vertical Size
 Horizontal Size
 Fail Safe (This adjustment must be the last step).

2. If the EEPROM or CRT is replaced, set PVA to 40 (factory mode) and set SC as follows.

14 inch : 0
 20 inch : 9
 21 inch : 9

4-2 Factory/Service Mode

4-2-1 Procedure for the "Adjustment" Mode

1. This mode uses the standard remote control. The Service Mode is activated by entering the following remote-control sequence :
 - (1) DISPLAY→FACTORY.
 - (2) STAND-BY→ DISPLAY→ MENU→ MUTE →POWER ON.
2. The "SERVICE (FACTORY)" message will be displayed. The Service Mode has four components: ADJUST, OPTION and Reset.
3. Access the Adjustment Mode by pressing the "VOLUME" keys (Up or Down). The adjustment parameters are listed in the accompanying table, and selected by pressing the CHANNEL keys (▲ , ▼).

4. Selection sequences for the all system:

DOWN or UP key:
 SCT>SBT>BLR>BLB>RG>GG>BG>VSL>
 VS>VA>HS>SC>SDL>STT>SSP>PDL>
 NDL>PSR>NSR>AGC>VOL>LCO>TXP

5. The VOLUME keys increase or decrease the adjustment values (stored in the non-volatile memory) when Adjustment Mode is cancelled.
6. Cancel the Adjustment Mode by re-pressing the "FACTORY" or "Power OFF" keys.

4-2-2 Main Adjustment Parameter

OSD	FUNCTION	RANGE	INITIAL DATA	REMARK
SCT	Sub Contrast	0 ~ 23	13	
SBT	Sub Brightness	0 ~ 23	9	
BLR	Black Level offset Blue	0 ~ 15	9	
BLB	Black Level offset Red	0 ~ 15	7	
RG	Red Gain	0 ~ 63	32	
GG	Green Gain	0 ~ 63	25(Fix)	
BG	Blue Gain	0 ~ 63	31	
VSL	Vertical Slope	0 ~ 63	19	
VS	Vertical Shift	0 ~ 63	38	
VA	Vertical Amplitude	0 ~ 63	40(Fix)	
HS	Horizontal Shift	0 ~ 63	30	
SC	S-Correction	0 ~ 63	9	
CDL	Cathode Drive Level	0 ~ 15	9	
STT	Sub Tint	0 ~ 7	3	
SSP	Sub Sharpness	0 ~ 7	0	
PDL	PAL Delay	0 ~ 15	15(Fix)	
NDL	NTSC Delay	0 ~ 15	10	
PSR	PAL Sub color	0 ~ 23	2	
NSR	NTSC Sub color	0 ~ 23	5	
AGC	Automatic Gain Control	0 ~ 63	23	
VOL	Volume pre setting	0 ~ 63	10	
LCO	SECAM-L Vision IF	0 ~ 1	0	
TXP	TTX Position	0 ~ 15	9	

NOTE : PVS,PVA, PHS, parameters must be aligned using the 50Hz vertical-field rates.

4-2-3 Option Bytes

In the Service Mode, various can be selected via the Option Table. Example:

Option Table : xx xx xx xx

1	LNA	ON
2	SYSTEM	CZ
3	AUDIO	MONO
4	JACK	RCA
5	ZOOM	NOR/ZOOM/16:9
6	AUTO POWER	ON
7	SBL	OFF
8	2nd SIF	ON
9	HOTEL MODE	OFF
10	BKS	ON

4-2-4 RESET

The Reset Mode is used during factory inspection.
Function Reset:

1. Picture	Custom
2. Auto Volume	Off
3. Color System	Auto (option)
4. Sound System	D/K (option)
5. Blue Screen	Off
6. Low Noise AMP	Off (option)
7. Volume	10
8. CH. Skip	Erased
9. CH. Lock	Off
10. Timer	Off

4-3 Other Adjustments

4-3-1 General

1. Usually, a color TV needs only slight touch-up adjustment upon installation. Check the basic characteristics such as height, horizontal and vertical sync and focus.
2. The picture should have good black and white details. There should be no objectionable color shading; if color shading is present, perform the purity and convergence adjustments described below.
3. Use the specified test equipment or its equivalent.
4. Correct impedance matching is essential.
5. Avoid overload. Excessive signal from a sweep generator might overload the front-end of the TV. When inserting signal markers, do not allow the marker generator to distort test results.
6. Connect the TV only to an AC power source with voltage and frequency as specified on the backcover nameplate.
7. Do not attempt to connect or disconnect any wires while the TV is turned on. Make sure that the power cord is disconnected before replacing any parts.
8. To protect against shock hazard, use an isolation transformer.

4-3-2 Automatic Degaussing

A degaussing coil is mounted around the picture tube, so that external degaussing after moving the TV should be unnecessary. But the receiver must be properly degaussed upon installation.

The degaussing coil operates for about 1 second after the power is switched ON. If the set has been moved or turned in a different direction, disconnect its AC power for at least 30 minutes.

If the chassis or parts of the cabinet become magnetized, poor color purity will result. If this happens, use an external degaussing coil. Slowly move the degaussing coil around the faceplate of the picture tube and the sides and front of the receiver. Slowly withdraw the coil to a distance of about 6 feet before removing power.

4-3-3 High Voltage Check

CAUTION: There is no high voltage adjustment on this chassis. The B+ power supply must be set to +125 volts (Full color bar input and normal picture level).

1. Connect a digital voltmeter to the second anode of the picture tube.
2. Turn on the TV. Set the Brightness and Contrast controls to minimum (zero beam current).
3. The high voltage should not exceed 27.5KV.
4. Adjust the Brightness and contrast controls to both extremes. Ensure that the high voltage does not exceed 27.5KV under any conditions.

4-3-4 FOCUS Adjustment

1. Input a black and white signal.
2. Adjust the tuning control for the clearest picture.
3. Adjust the FOCUS control for well defined scanning lines in the center area of the screen.

4-3-5 Cathode Voltage Adjustment (Screen Adjustment)

1. Connect CRT socket pin GK to an oscilloscope probe.
2. Input a gray scale pattern. (Use a pattern generator, PM5518)
3. Use the P mode key (on the remote control) for the STANDARD picture.
4. Adjust the Screen VR (on the FBT) so that the voltage on the oscilloscope becomes $120 \pm 2.5V$ (See Fig. 4-1).

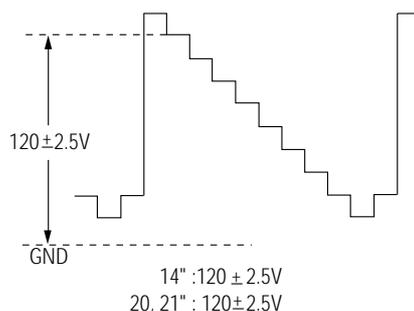


Fig. 4-1

4-3-6 Purity Adjustment

1. Warm up the receiver for at least 20 minutes.
2. Plug in the CRT deflection yoke and tighten the clamp screw.
3. Plug the convergence yoke into the CRT and set in as shown in Fig. 4-2.
4. Input a black and white signal.
5. Fully demagnetize the receiver by applying an external degaussing coil.
6. Turn the CONTRAST and BRIGHTNESS controls to maximum.
7. Loosen the clamp screw holding the yoke. Slide the yoke backward or forward to provide vertical green belt. (Fig. 4-3).
8. Tighten the convergence yoke.
9. Slowly move the deflection yoke forward, and adjust for the best overall green screen.
10. Temporarily tighten the deflection yoke.
11. Produce blue and red rasters by adjusting the low-light controls. Check for good purity in each field.
12. Tighten the deflection yoke.

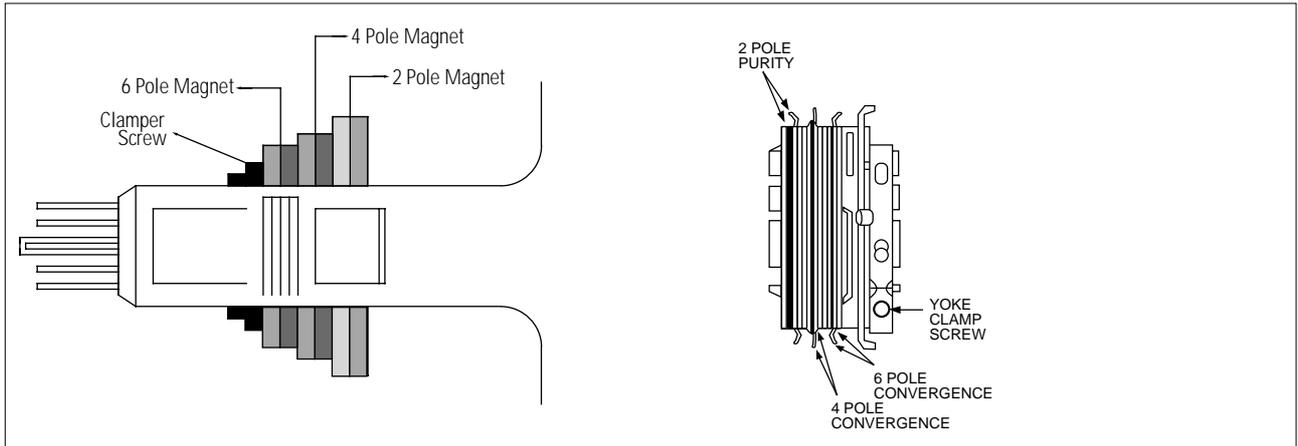


Fig. 4-2 Convergence Magnet Assembly

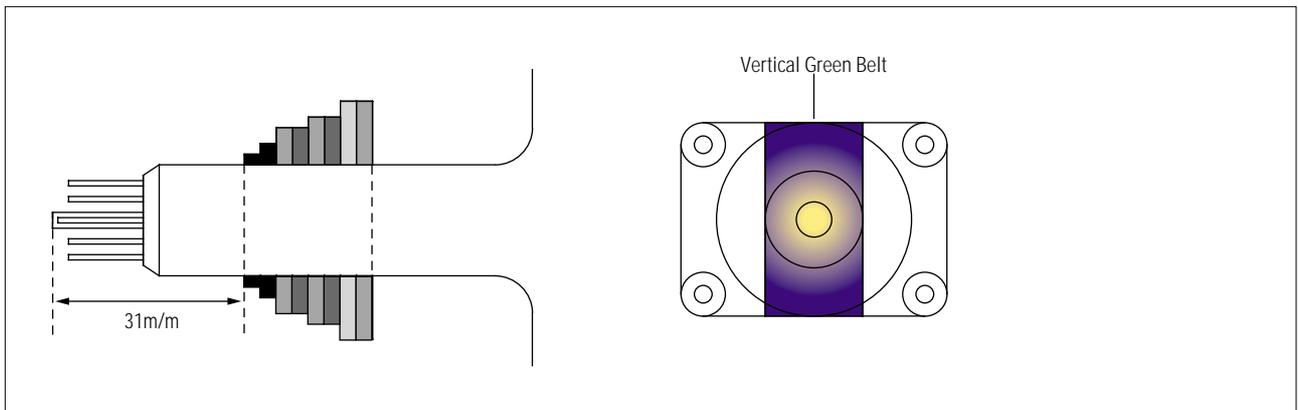


Fig. 4-3 Center Convergence Adjustment

4-3-7 White Balance Adjustment

(a) Set up

1. Warm up the TV for at least 30 minutes in the Aging Mode (OSD White). This mode is displayed by entering the following sequence:

DISPLAY →FACTORY → FACTORY

2. Input a Toshiba pattern.

(b) Low-Light Adjustment

1. Set SBT to 3.5 ± 0.5 fL in the Factory Service Mode with using CA100. See Fig. 4-4 ②.
2. Adjust RG,BG so that the levels are suitable to each local area.

(c) High-Light Adjustment

1. Set SCT to 55 FL (20". 21"), 65 FL(14") in the Factory Service Mode with using CA100. See Fig. 4-4 ①.

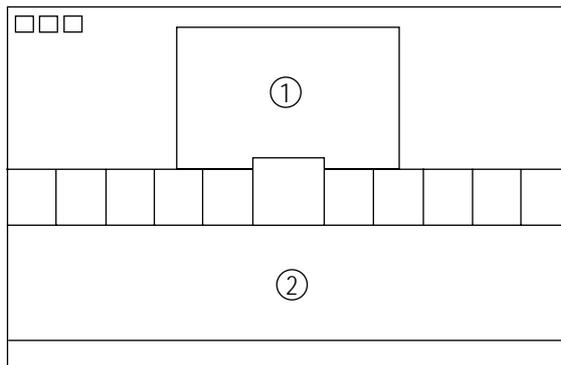


Fig. 4-4

4-3-8 Center Convergence Adjustment

1. Warm up the receiver for at least 20 minutes.
2. Adjust the two tabs of the 4 pole magnets to change the angle between them. Superimpose the red and blue vertical lines in the center area of the screen.
3. Adjust the Brightness and Contrast controls for a well defined picture.
4. Adjust the two-tab pairs of the 4 pole magnets, and change the angle between them. Superimpose the red and the blue vertical lines in the center area of the screen.
5. Turn the both tabs at the same time, keeping the angle constant, and superimpose the red and blue horizontal line in the center of the screen.
6. Adjust the two-tab pairs of the 6-pole magnets to superimpose the red and blue line onto the green. (Changing the angle affects the vertical lines, and rotating both magnets affects the horizontal lines.)
7. Repeat adjustments 2~6, if necessary.
8. Since the 4-pole magnets and 6-pole magnets interact, the dot movement is complex (Fig. 4-5).



Fig. 4-5 Center Convergence Adjustment

4-3-9 RF AGC Adjustment

Set the AGC data to 23 (Factory Mode).

4-3-10 Sub-Color Adjustment

Set $\frac{PSR}{NSR}$ data to $\frac{2}{5}$ (Factory Mode).

4-3-11 Geometry Adjustment

SC → VS → VSL → HS

1. Input a lion head pattern (in the PAL channel).
2. Set the SC (S-Correction) as follows : 9 (21"), 9 (20"), 0 (14") and VA 40 so that the lion head circle becomes oval.
3. Adjust with VSL (Vertical-Slope) so that the bottom margin of the picture is 4.

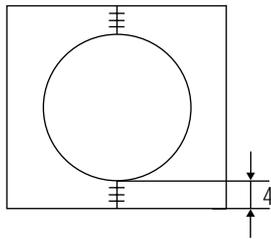


Fig. 4-7

4. Adjust with VS (Vertical shift) so that the top margin of the picture is 4.

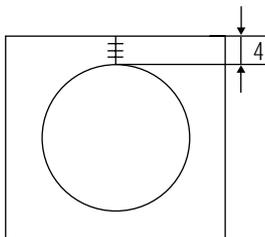


Fig. 4-8

5. Adjust with HS (Horizontal Shift) so that the lion-head pattern and CRT centers are aligned.

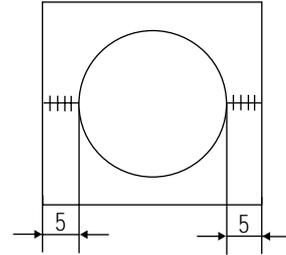
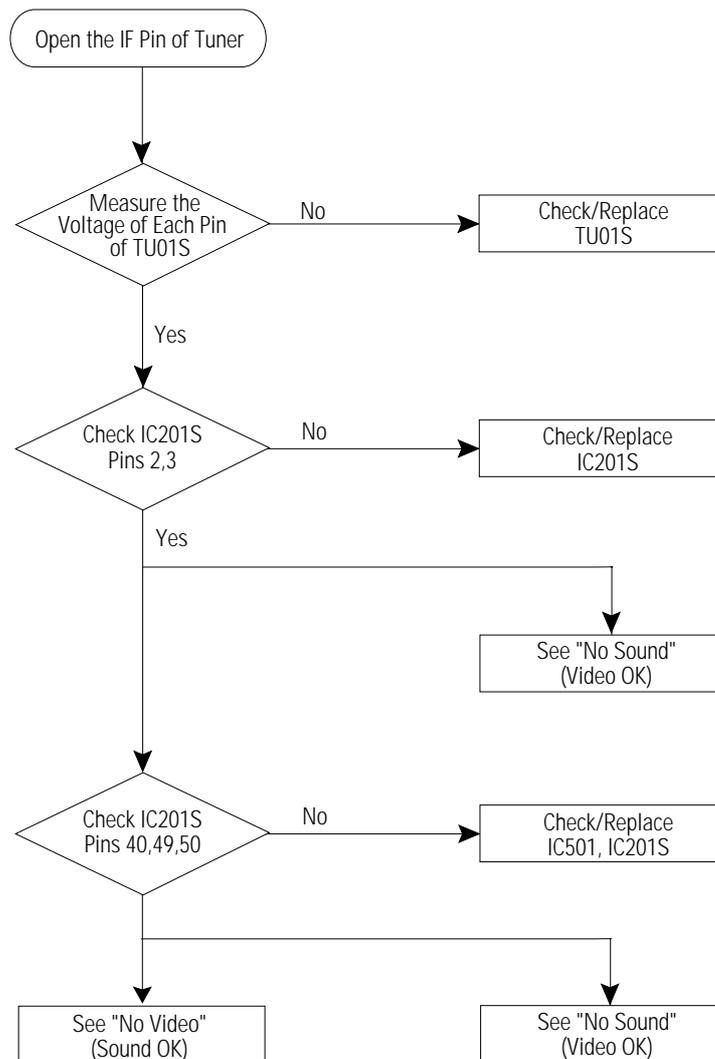


Fig. 4-9

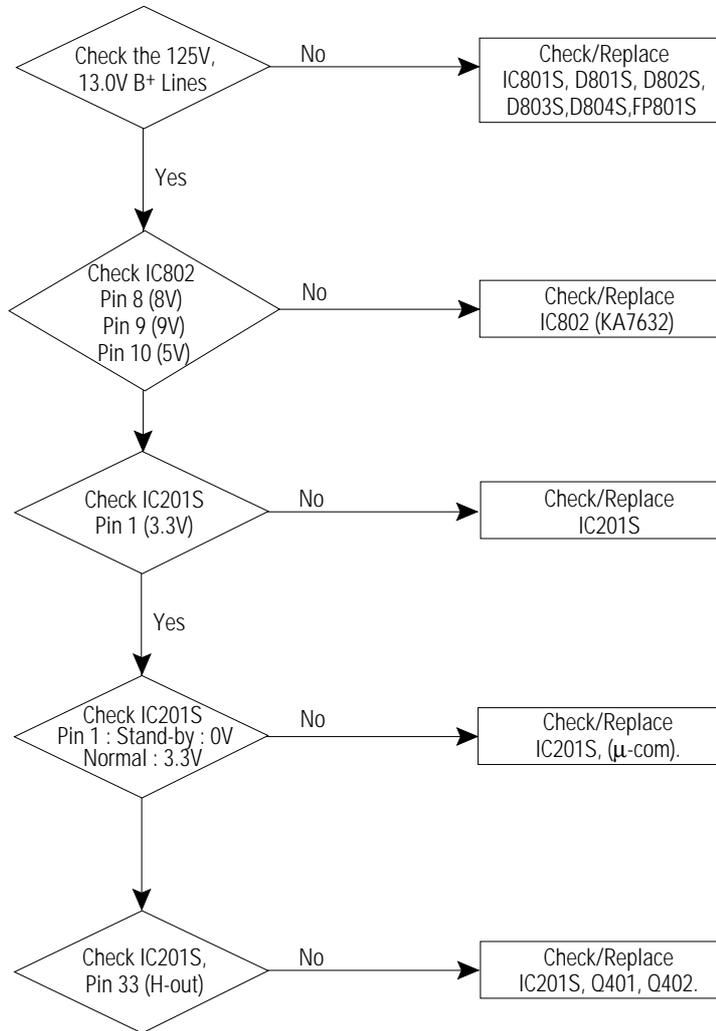
6. Adjust HS (using the width coil) so that the left and right margins of the picture are 5.

5. Troubleshooting

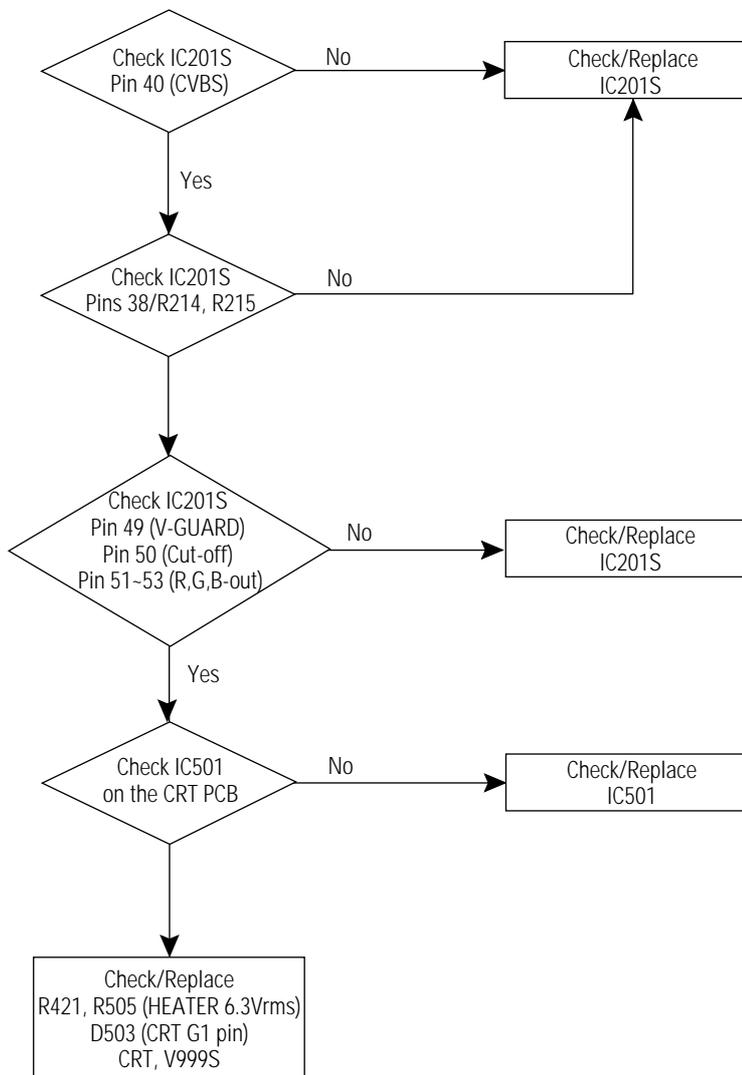
5-1 No Video (Raster On, No Sound)



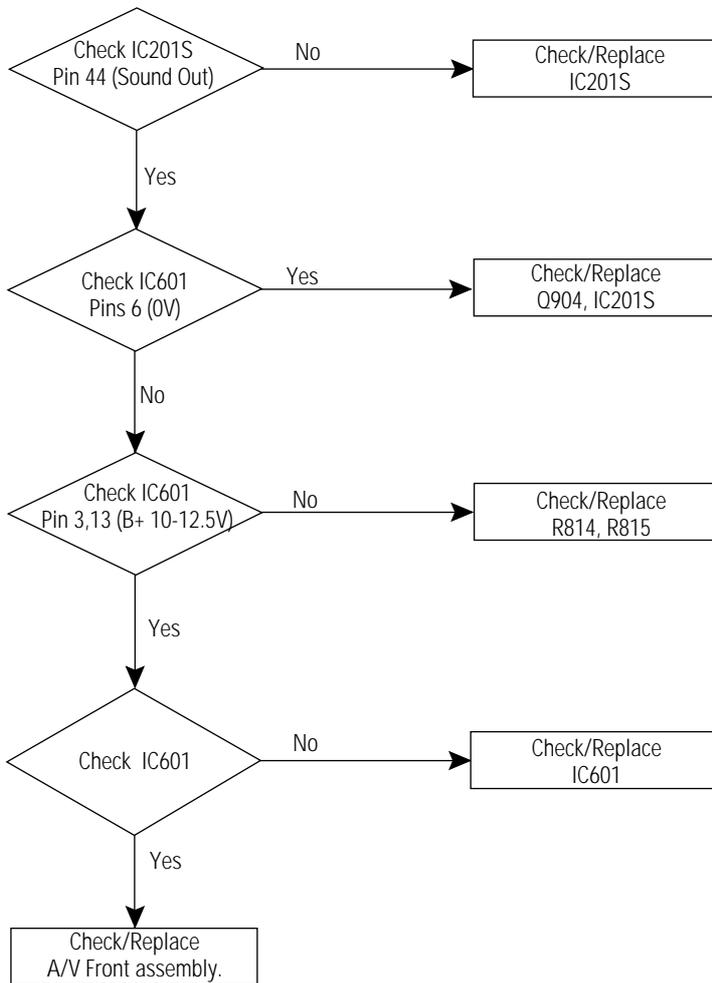
5-2 No Power



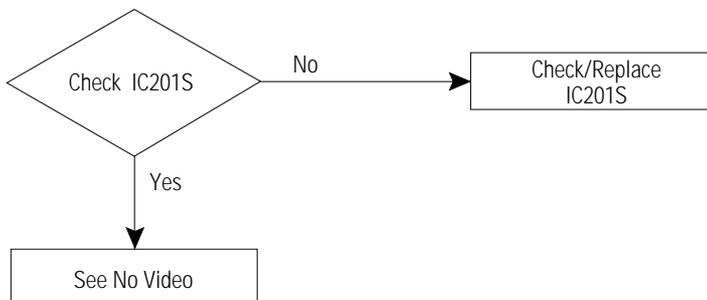
5-3 No Video (Sound OK)



5-4 No Sound (Video OK)

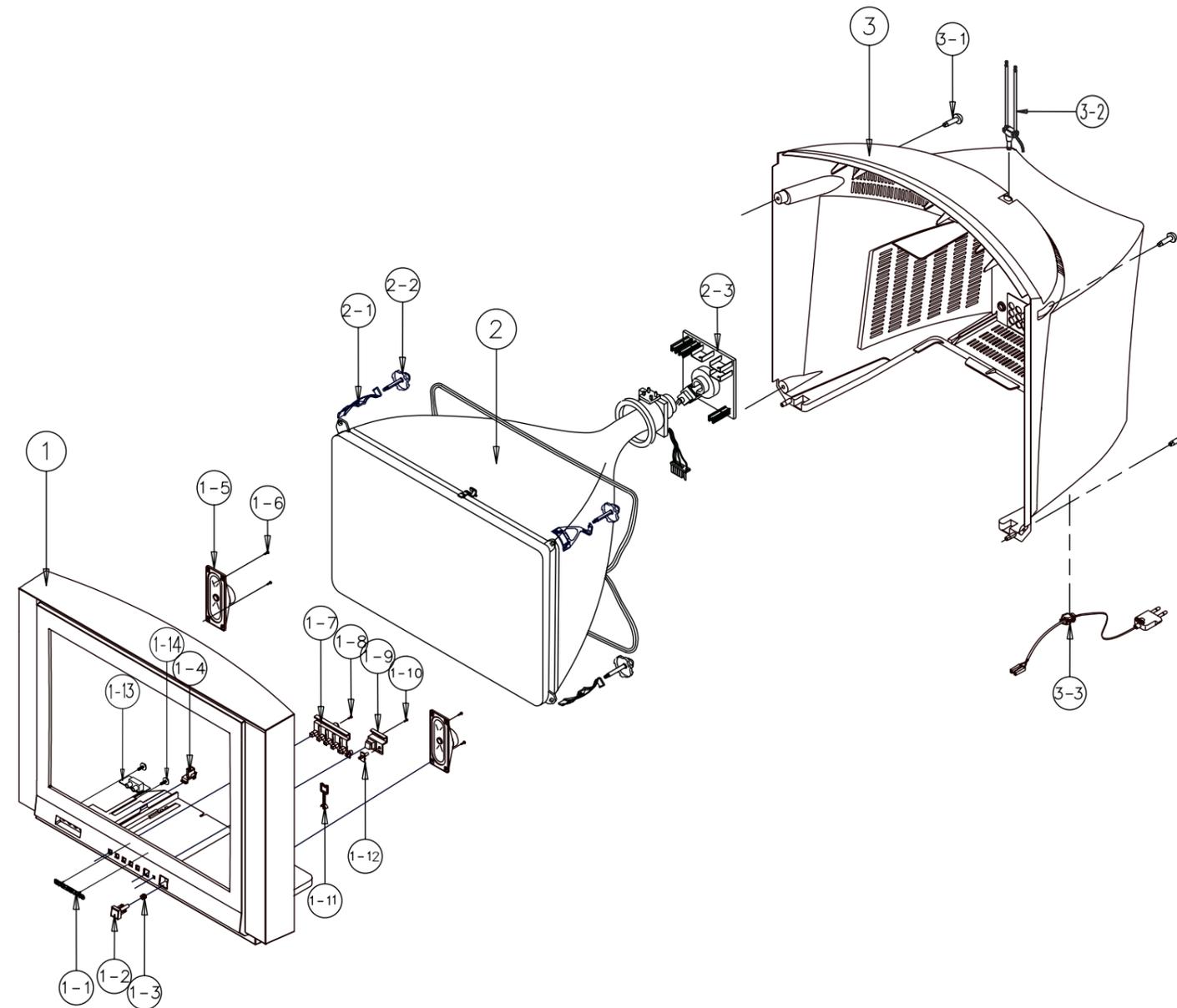


5-5 No TTX



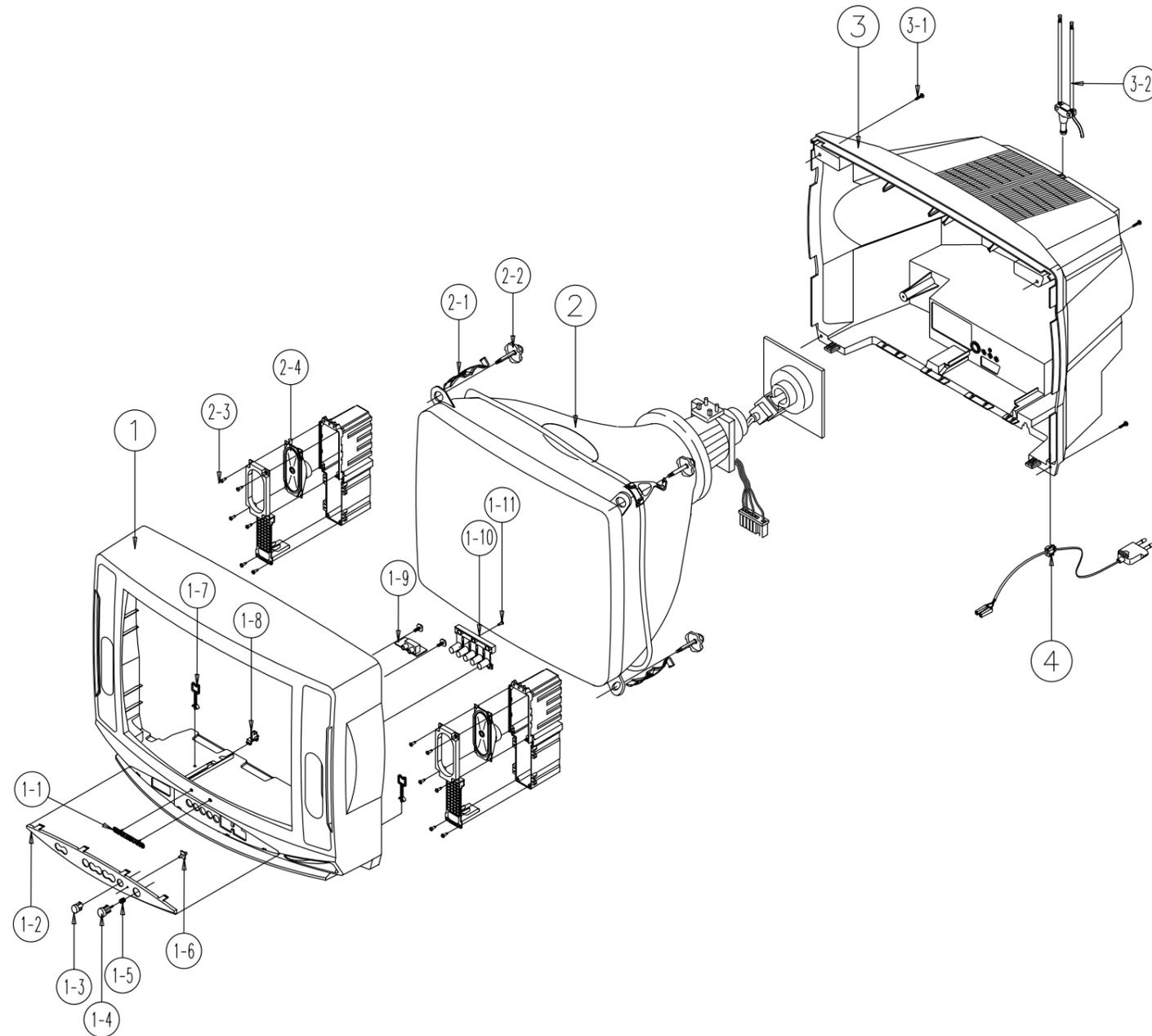
6. Exploded View & Parts List

6-1 CS15K8SX/XHK



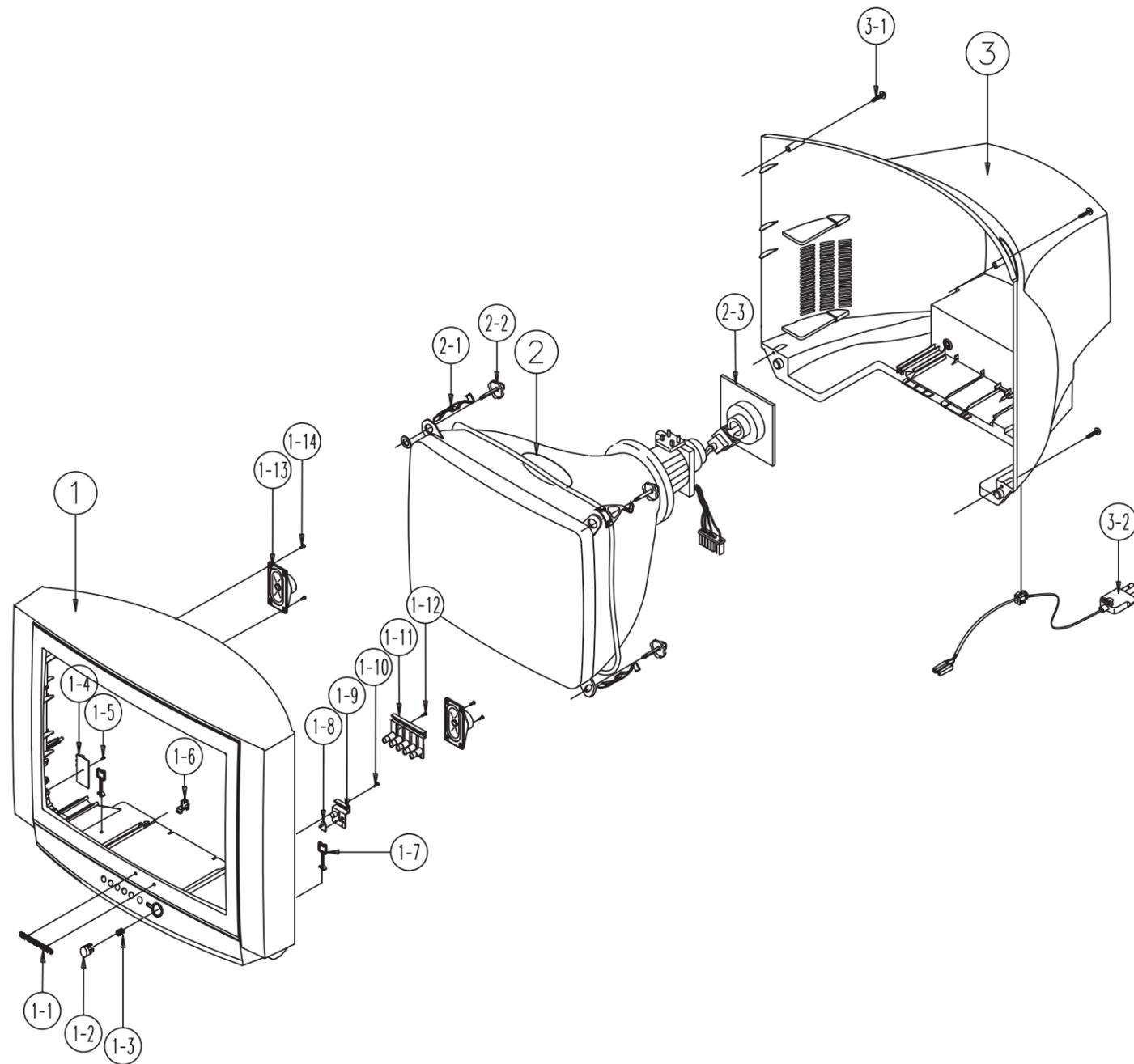
No	Code No	Description	Specification	Q'ty	Remark
1	AA91-00619K	ASSY CABINET FRONT;15K8 EPP,(SPK)SV012P		1	
1*	AA64-01730K	CABINET-FRONT;15K8,HIPS,HB,G4309,SV012P+		1	
1-1	AA64-70127A	BADGE-BRAND;-AL,-,L=40,SAMSUNG,SILVER		1	
1-2	AA64-01371E	KNOB POWER;15K8,ABS,HB,G3676,SVM3012		1	
1-3	AA61-60003J	SPRING-CS;-SUS304,-,OD6,N7,OD6,-,-,-		1	
1-4	AA61-40113A	STOPPER-PCB;501H,HIPS,-,HB,NTR,-		1	
1-5	AA96-10137B	ASSY-SPEAKER;-80HM,3W,3001-001020,AA39-		1	
1-6	6003-001019	SCREW-TAPTITE;RH,+,B,M4,L12,ZPC(BLK),SWR		8	SPK+CF
1-7	AA64-01370E	KNOB CONTROL;15K8,ABS,HB,G3676,SVM3012		1	
1-8	6003-001019	SCREW-TAPTITE;RH,+,B,M4,L12,ZPC(BLK),SWR		1	KC+CF
1-9	AA64-00816B	WINDOW REMOCON;-21A8,-,PC,V0,VIOLET,-		1	
1-10	6003-001019	SCREW-TAPTITE;RH,+,B,M4,L12,ZPC(BLK),SWR		1	WIN+CF
1-11	AA65-00011C	CLAMP-WIRE;ALL MODEL,NYLON 66,V2,-,NTR,2		1	
1-12	AA64-00818B	INDICATOR LED;21A8,ACRYL,-,CLR,-,-,-		1	
1-14	6006-001095	SCREW-ASS'Y TAPT;WP,BH,+,M4,L12,ZPC(YEL)		2	AV+CF
2	AA91-02805A	ASSY CPT;CS15K8SX/ELT		1	
2-1	AA65-30107A	CLAMP-D,COIL;20~22 INCH,NYLON 66,V2,-,NT		2	
2-2	AA60-10050R	SCREW-ASSY;-SWRCH18A,M5,L31.5,HH,+,WC,-		4	CRT+CF
2-3	3704-001105	SOCKET-CRT;11P,20PI,26.5PI,NI,-		1	V999S
3	AA64-01731H	CABINET BACK;15K8,HIPS,V0,G4309		1	
3-1	AA60-10050T	SCREW-TAPPING;-SWRCH18A,M4,L20,RH,+,2S,		4	CB+CF
3-2	AA42-00003A	ANT ROD;-3S,720mm,ABS,UL/CSA,-		1	
3-3	AA96-20126J	ASSY POWER CORD;-EP3/YES(HK),H/C 250MM,		1	

6-2 CS21S1SX/XSG



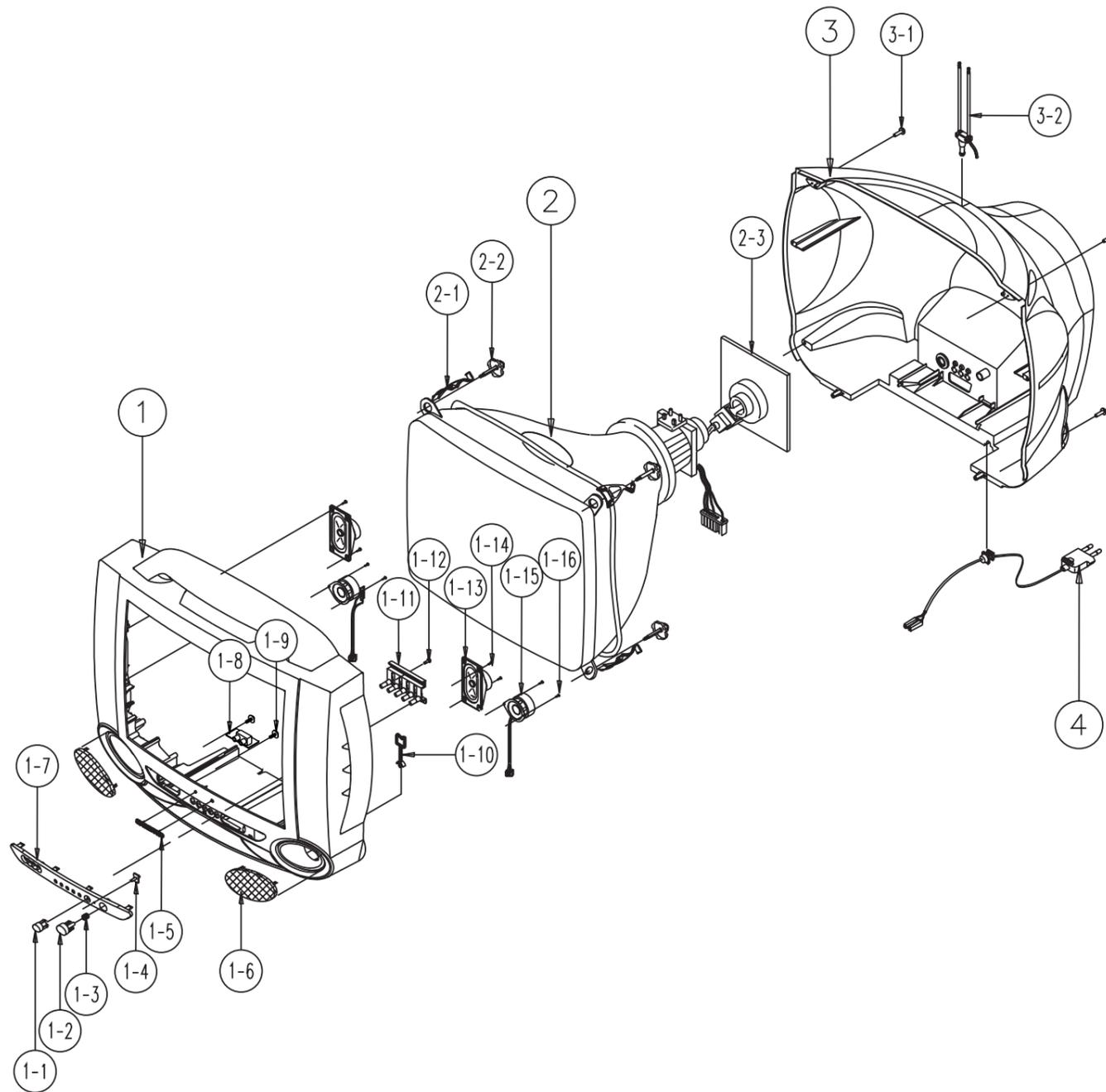
No	Code No	Description	Specification	Q'ty	Remark
1	AA91-00118V	ASSY CABINET FRONT;21S1 L/S KS1A,(SPK)S		1	
1*	AA64-31326M	CABINET-FRONT;53S1,HIPS,HB,G4309,SV704P		1	
1-1	AA64-70123B	BADGE-BRAND;-AL,-,-,L=50,SAMSUNG,SILVER		1	
1-2	AA64-01183D	DECORATION-FRONT;21S1 L/S,HIPS,-,-,-,HB,		1	
1-3	AA64-40513B	WINDOW-REMOCON;-50S1,-,PC,V0,VIOLET,-		1	
1-4	AA64-10790D	KNOB POWER;50.53S1,ABS,-,-,-,HB,G3676,-,		1	
1-5	AA61-60003J	SPRING-CS;-SUS304,-,-,OD6,N7,OD6,-,-,-,		1	KNOPOW
1-6	AA64-40514A	INDICATOR-LED;CT50S1,ACRYL,-,CLR,-,-,-		1	
1-7	AA65-30105A	CLAMP-WIRE;ALL MODEL,NYLON 66,V2,-,NTR,1		1	
1-8	AA61-40113A	STOPPER-PCB;501H,HIPS,-,-,-,HB,NTR,-		1	
1-9	AA95-01783Q	ASSY SUB-PCB,A/V FRONT;S15ALINE-STEREO,		1	
1-10	6006-001095	SCREW-ASS'Y TAPT;WP,BH,+M4,L12,ZPC(YEL)		2	PA+CF
1-11	AA64-10789B	KNOB CONTROL;50.53S1,ABS,-,-,-,HB,G3676,		1	
1-12	6003-001026	SCREW-TAPTITE;RH,+B,M4,L15,ZPC(BLK),SWR		1	KC+CF
1-13	AA63-50356B	GRILLE WOOFFER;21S1,SECC,T0.5,-,-,-,SV7		2	
1-14	AA96-00163B	ASSY SPEAKER;-8ohm,6W,3001-001034,350/7		1	
1-15	6003-001026	SCREW-TAPTITE;RH,+B,M4,L15,ZPC(BLK),SWR		8	SPK+CF
2	AA91-02945A	ASSY CPT;CS21S1SX/TAW		1	
2-1	AA65-30107A	CLAMP-D,COIL;20~22 INCH,NYLON 66,V2,-,NT		4	
2-2	AA60-10050R	SCREW-ASSY;-SWRCH18A,M5,L31.5,HH,+WC,-		4	CRT+CF
2-3	3704-001105	SOCKET-CRT;11P,20PI,26.5PI,NI,-		1	V999S
3	AA64-31327U	CABINET BACK;21S1,HIPS,HB,G4309,D/S		1	
3-1	6003-001026	SCREW-TAPTITE;RH,+B,M4,L15,ZPC(BLK),SWR		6	CB+CF
3-2	AA96-20109B	ASSY-POWER,CORD;-CP2/NO(4.0),H/C250,KKP		1	

6-3 CZ21D8TX/BOB



No	Code No	Description	Specification	Q'ty	Remark
1	AA91-00589Q	ASSY CABINET FRONT;21D8 GUJU PET-X,(SPK		1	
1*	AA64-01423W	CABINET-FRONT;21D8,HIPS,HB,G4309,SV012P		1	
1-1	AA64-70123B	BADGE-BRAND;-AL,-,-,L=50,SAMSUNG,SILVER		1	
1-2	AA64-01425F	KNOB POWER;21D8,ABS,HB,G3676,SV012P		1	
1-3	AA61-60003J	SPRING-CS;-SUS304,-,-,OD6,N7,OD6,-,-,-		1	POWER
1-4	6003-001268	SCREW-TAPTITE;TH,+,B,M4.0,L12.0,ZPC(YEL)		1	AV+CF
1-5	AA61-40113A	STOPPER-PCB;501H,HIPS,-,-,HB,NTR,-		1	
1-6	AA65-30105A	CLAMP-WIRE;ALL MODEL,NYLON 66,V2,-,NTR,1		1	
1-7	AA64-01011B	INDICATOR LED;29D8,ACRYL,-,CLR,-,-,-		1	
1-8	AA64-01426B	WINDOW REMOCON;21D8,PC,-,-,-,VOILET,-,-		1	
1-9	6003-001026	SCREW-TAPTITE;RH,+,B,M4,L15,ZPC(BLK),SWR		1	WIN+CF
1-10	AA64-01012H	KNOB CONTROL;21.29D8,ABS,HB,G3676,SV012P		1	
1-11	6003-001026	SCREW-TAPTITE;RH,+,B,M4,L15,ZPC(BLK),SWR		1	KC+CF
1-12	AA96-10146C	ASSY SPEAKER;-8ohm,5W,3001-000274,350/7		1	
1-13	6003-001019	SCREW-TAPTITE;RH,+,B,M4,L12,ZPC(BLK),SWR		8	SPK+CF
2	AA91-03045A	ASSY CPT;CZ21D8TX/BOB		1	
2-1	AA65-30107A	CLAMP-D,COIL;20~22 INCH,NYLON 66,V2,-,NT		4	D-COIL
2-2	AA60-10050R	SCREW-ASSY;-SWRCH18A,M5,L31.5,HH,+,WC,-		4	CRT+CF
2-3	3704-001105	SOCKET-CRT;11P,20PI,26.5PI,NI,-		1	V999S
3	AA64-01422J	CABINET BACK;21D8,HIPS,V2,G4309		1	
3-1	AA60-10050T	SCREW-TAPPING;-SWRCH18A,M4,L20,RH,+,2S,		4	CB+CF
3-2	AA96-20109B	ASSY-POWER,CORD;-CP2/NO(4.0),H/C250,KKP		1	

6-4 CZ21S4TX/BOB



No	Code No	Description	Specification	Q'ty	Remark
1*	AA64-00706M	CABINET-FRONT;21S4,S5,HIPS,HB,G4309,SV70		1	
1-1	AA64-00713B	WINDOW REMOCON;-;21S4,-,PC,V0,VIOLET,-		1	
1-2	AA64-00711C	KNOB POWER;21S4,ABS,-,-,HB,G3676,-,NO-		1	
1-3	AA61-60003J	SPRING-CS;-;SUS304,-,-,OD6,N7,OD6,-,-,-,		1	
1-4	AA64-00714B	INDICATOR LED;21S4,ACRYL,-,CLR,-,-,-		1	
1-5	AA64-70123B	BADGE-BRAND;-;AL,-,-,L=50,SAMSUNG,SILVER		1	
1-6	AA63-00208B	GRILLE WOOFER-L;21S4,SECC,TO.5,-,-,-,SV7		1	
1-6*	AA63-00209B	GRILLE WOOFER-R;21S4,SECC,TO.5,-,-,-,SV7		1	
1-7	AA63-00323D	COVER-CONTROL;21S4,HIPS HB,-,-,-,GRAY,		1	
1-8	AA95-01724A	ASSY SUB-A/V,FRONT;S4,KS1A,MONO,AA95-014		1	
1-9	6006-001095	SCREW-ASS'Y TAPT;WP,BH,+;M4,L12,ZPC(YEL)		2	PA+CF
1-10	AA65-00011C	CLAMP-WIRE;ALL MODEL,NYLON 66,V2,-,NTR,2		1	
1-11	AA64-00709B	KNOB CONTROL;21S4,ABS,-,-,HB,G3676,-,-		1	
1-12	6003-001026	SCREW-TAPTITE;RH,+;B,M4,L15,ZPC(BLK),SWR		1	KC+CF
1-13	AA96-00626A	ASSY SPEAKER;-;80HM,15W,001115/001088,35		1	
1-14	6003-001026	SCREW-TAPTITE;RH,+;B,M4,L15,ZPC(BLK),SWR		8	SPK+CF
1-15	3001-001115	SPEAKER;15W,8ohm,93dB,110		2	
1-16	6003-001026	SCREW-TAPTITE;RH,+;B,M4,L15,ZPC(BLK),SWR		4	TW+CF
2	AA91-03011A	ASSY CPT;CZ21S4TX/BOB		1	
2-1	AA65-30107A	CLAMP-D,COIL;20~22 INCH,NYLON 66,V2,-,NT		4	D-COIL
2-2	AA60-10050R	SCREW-ASSY;-;SWRCH18A,M5,L31.5,HH,+;WC,-		4	CRT+CF
2-3	3704-001105	SOCKET-CRT;11P,20PI,26.5PI,NI,-		1	V999S
3	AA64-00707F	CABINET BACK;21S4,HIPS,V2,G4309		1	
3-1	AA60-10050T	SCREW-TAPPING;-;SWRCH18A,M4,L20,RH,+;2S,		6	CB+CF
4	AA96-20109B	ASSY-POWER,CORD;-;CP2/NO(4.0),H/C250,KKP		1	

7. Electrical Parts List

7-1 CS15K8SX/XHK

Level	Loc. No.	Code No.	Description ; Specification	Remark	Level	Loc. No.	Code No.	Description ; Specification	Remark
ASSY CHASSIS									
1	*	AA91-03365A	ASSY CHASSIS;CS15K8SX/XHK,HONGKONG,KS1A	5	LS03	2701-000114	INDUCTOR-AXIAL;10uH,10%,2.5x3.4mm	
..2		AA94-07650A	ASSY PCB MAIN;CS15K8SX/XHK,KS1A,HONGKONG	S.N.A5	LS04	2701-000184	INDUCTOR-AXIAL;4.7uH,10%,2.5x3.4mm	
...3	C901	2305-000412	C-FILM,MPEF;470nF,5%,63V,TP,-,5mm	5	PCB	AA41-00139A	PCB-STEREO/LINE-ST/MTS-M;DREAM-1,1L,FR-1	S.N.A
...3	CLAMP	AA65-30018A	CLAMP-WIRE;DONG-A,NYLON-66,-,-,DATL-60	S.N.A5	RS01	2001-000429	R-CARBON;1KOHM,5%,1/8W,AA,TP,1.8X3.2MM	
...3	CN501	AA39-20620C	LEAD CONNECTOR-ASSY;9PYBNH250-09,S,500	5	RS02	2001-000281	R-CARBON;100OHM,5%,1/8W,AA,TP,1.8X3.2MM	
△	D806	AA96-00243D	ASSY H/S;-;BRIDGE,AA62-00045A,D06U20S,DR	S.N.A5	RS03	2001-000281	R-CARBON;100OHM,5%,1/8W,AA,TP,1.8X3.2MM	
....4		0205-000129	GREASE-SILICON;SC102,JAPAN	S.N.A5	RS04	2001-000290	R-CARBON;10KOHM,5%,1/8W,AA,TP,1.8X3.2MM	
....4		0402-001374	DIODE-RECTIFIER;FFP06U20S,200V,6A,TO-22	5	RS06	2001-000281	R-CARBON;100OHM,5%,1/8W,AA,TP,1.8X3.2MM	
....4		6003-000335	SCREW-TAPTITE;RH,+2S,M3,L8,ZPC(YEL),SWR	S.N.A5	RS07	2001-000281	R-CARBON;100OHM,5%,1/8W,AA,TP,1.8X3.2MM	
....4		AA62-00045A	HEAT SINK-PS;-;T1.0,-,D1(DREAM,-,-,-,-	S.N.A5	RS08	2001-000780	R-CARBON;470OHM,5%,1/8W,AA,TP,1.8X3.2MM	
△	IC201S	AA09-00244A	IC MICOM;SPM-802EAN1.CS5339S,64P,3.3V &	S.N.A5	RS09	2001-000780	R-CARBON;470OHM,5%,1/8W,AA,TP,1.8X3.2MM	
...3	IC301	AA96-00244A	ASSY H/S;-;AA62-00046A,LA7840,-	S.N.A5	RS14	2001-000515	R-CARBON;220OHM,5%,1/8W,AA,TP,1.8X3.2MM	
....4		0205-000129	GREASE-SILICON;SC102,JAPAN	S.N.A5	RS15	2001-000429	R-CARBON;1KOHM,5%,1/8W,AA,TP,1.8X3.2MM	
....4		1204-001483	IC-VERTICAL PROCESSOR;LA7840,SIP,7P,708MI	4		0202-000187	SOLDER-WIRE FLUX;-;RS60S,D1,2.63Sn/37Pb	S.N.A
....4		6003-000335	SCREW-TAPTITE;RH,+2S,M3,L8,ZPC(YEL),SWR	S.N.A3		0202-000187	SOLDER-WIRE FLUX;-;RS60S,D1,2.63Sn/37Pb	S.N.A
....4		AA62-00046A	HEAT SINK-PS;-;T1.0,-,D1(DREAM) 60X25X	S.N.A4	C801	2401-003339	C-AL;220uF,20%,400V,GPST,30x35,10	S.N.A
....4		AA62-00046A	HEAT SINK-PS;-;T1.0,-,D1(DREAM) 60X25X	S.N.A	△	CN701	3711-000628	CONNECTOR-HEADER;-;11P,1R,2.5mm,STRAIGHT	
...3	IC601	AA96-00244G	ASSY H/S;-;AUDIO,AA62-00046A,TA8944J,BR	S.N.A	△	CR402S	2306-000350	C-FILM,MPPF;270nF,5%,400V,TP,26X18.5X10M	
....4		AA62-00046A	HEAT SINK-PS;-;T1.0,-,D1(DREAM) 60X25X	S.N.A	△	CR410S	2301-001456	C-FILM,MPE-PPF;5.1nF,5%,1.6kV,TP,29x9x16	
....4		AA61-10162B	BRACKET-IC;-;SBHG-1,T1.0,-,-,100	S.N.A	△	CX801S	2306-000318	C-FILM,MPPF;220nF,20%,250V,TP,-,22.5mm	
....4		6003-000335	SCREW-TAPTITE;RH,+2S,M3,L8,ZPC(YEL),SWR	S.N.A	△	CY801S	2201-000446	C-CERAMIC,DISC;3.3nF,20%,400V,Y5U,TP,15x	
....4		1201-001741	IC-AUDIO AMP;TA8944J,DBS,17P,937MIL,DUA		△	FP801S	3601-000281	FUSE-CARTRIDGE;250V,4A,TIME-LAG,GLASS,5.	
....4		0205-000129	GREASE-SILICON;SC102,JAPAN	S.N.A4	IC101	1204-001583	IC-IF CIRCUIT;U4468B,DIP,16P,-,PLASTIC,5	
...3	JS701	3722-001138	JACK-PIN;6P,3.4mm,SN,BLK,#16-22	4	IC501	AA96-50311A	ASSY H/S;-;VIDEO,AA62-30175D,TA6A107Q,-	S.N.A
△	LC801S	AA27-00077A	COIL DEGAUSSING;-;4.3mH,20%,70T,90HM,-	5		1201-001159	IC-VIDEO AMP;6107,ZSIP,9P,-,SINGLE,-,PLA	
△	LR401S	AA27-00122A	COIL LINEARITY;90UH,90UH,L81 DR10x10,7.5	5		6003-000334	SCREW-TAPTITE;RH,+2S,M3,L6,ZPC(YEL),SWR	S.N.A
△	Q401	0502-001160	TR-POWER;2SD2499,NPN,50000mW,TO-3P,BK,8-	5		AA62-30175D	HEAT-SINK-PS;-;SECC,T1.0,-,33X15X30 FT-2	S.N.A
△	T444S	AA26-00065A	TRANS FBT;-;FSV-14A004C(S),14-22,125V		△	IC801S	AA96-00242A	ASSY H/S;-;AA62-30186B,KA500765R,-	S.N.A
...3	Z	AA65-30018A	CLAMP-WIRE;DONG-A,NYLON-66,-,-,DATL-60	S.N.A5		0205-000129	GREASE-SILICON;SC102,JAPAN	S.N.A
....4	CN702	AA95-01763A	ASSY SUB-PCB LINE STEREO;20S4,C5,15A9,K8	S.N.A5		1203-001932	IC-PWM CONTROLLER;5Q0765,TO-220F,5P,185M	
....4	CN705	3711-002708	CONNECTOR-HEADER;NOWALL,10P,1R,2.5mm,ANG	5		6003-000333	SCREW-TAPTITE;RH,+2S,M3,L10,ZPC(YEL),SW	S.N.A
....4	CN706	3711-002706	CONNECTOR-HEADER;NOWALL,8P,1R,2.5mm,ANGL	5		AA62-30186B	HEAT SINK-ES;-;SILVER,171J + COVER-H	S.N.A
....4	CN707	AA39-00276A	LEAD CONNECTOR ASSY;-;UL1185#26,UL/CSA,6P		△	IC802	AA96-00245A	ASSY H/S;-;AA62-00055A,KA7632,-	S.N.A
....4	ICS01	1204-001639	IC-SOUND PROCESSOR;BSP3505D-B3,DIP,52P,-	5		1203-001939	IC-POS.FIXED REG.;7632,SIP,10P,-,PLASTI	
....4	XS01	2801-003903	CRYSTAL-UNIT;18.432MHz,25ppm,28-AAAM,12pF	5		6003-000334	SCREW-TAPTITE;RH,+2S,M3,L6,ZPC(YEL),SWR	S.N.A
....4		AA97-05525A	ASSY AUTO-SUB;20S4,C5,15A9,K8,S1,KS1A,LI	S.N.A5		AA62-00055A	HEAT SINK-PS;-;T1.0,-,35*15*25,D1,-,-	S.N.A
....5	CS01	2201-000180	C-CERAMIC,DISC;10nF,10%,50V,Y5V,TP,7x3,5	4	IC902	1103-001200	IC-EEPROM;M24C08-WBNE,1024x8Bit,DIP,8P,3	
....5	CS03	2401-002594	C-AL;220uF,20%,16V,GP,TP,8x11.5,5		△	LD901	AA96-00555A	ASSY LED GUIDE;-;UED-LX-030,GREEN	
....5	CS06	2401-001026	C-AL;3.3uF,20%,50V,GP,TP,5x11,5		△	LX801S	AA29-30001D	FILTER-LINE NOISE;SQ1913;-;6.0MH,0.8A,-	
....5	CS07	2201-000982	C-CERAMIC,DISC;10nF,+80-20%,50V,Y5V,TP,4		△	NT802S	1404-001045	THERMISTOR-NTC;4.7ohm,15%,2900K,35.0mW,T	
....5	CS09	2301-000111	C-FILM,PEF;1.8nF,5%,50V,TP,6.5x3.0x5.5mm		△	P803S	1404-001156	THERMISTOR-PTC;90HM,+30%/+20%,220Vrms,27	
....5	CS11	2401-000486	C-AL;10uF,20%,50V,GP,TP,6.3x7mm,5		△	PC801S	0604-001032	PHOTO-COULER;TR,170-2600,300mW,DIP-4,ST	
....5	CS12	2401-000486	C-AL;10uF,20%,50V,GP,TP,6.3x7mm,5		△	RM901	AA32-00009A	MODULE REMOCON;FRP-3521H,38KHZ,940NM,ME	
....5	CS13	2401-000486	C-AL;10uF,20%,50V,GP,TP,6.3x7mm,5		△	SF101S	2904-001143	FILTER-SAW AV;38.9MHz,SIP5K,ST,18dB,B/G,	
....5	CS14	2401-000486	C-AL;10uF,20%,50V,GP,TP,6.3x7mm,5		△	SF102S	2904-001224	FILTER-SAW AV;38.9MHz,SIP5K,ST,16.3dB,B/	
....5	CS15	2301-000383	C-FILM,PEF;10nF,5%,50V,TP,6x7x3.2mm,5mm		△	SW801S	3403-001107	SWITCH-PUSH;250V,5A,DPST,-,KDC-A04	
....5	CS16	2401-002144	C-AL;47uF,20%,16V,GP,TP,5x11,5		△	T401	AA26-50001B	TRANS-HORIZ.DRIVE;-;7.1mH,-,102uH,	
....5	CS17	2305-000665	C-FILM,MPEF;100nF,5%,63V,TP,7.5x4.0x5.0m		△	T801S	AA26-00043A	TRANS SWITCHING;-;AC90-260V,125/12.5	
....5	CS18	2401-001026	C-AL;3.3uF,20%,50V,GP,TP,5x11,5		△	TU01S	AA40-00070A	TUNER;TEDE9-203A,PAL,181CH,38.9MHz,75OHM	
....5	CS19	2401-000027	C-AL;4.7uF,20%,50V,GP,TP,5x11,5		△	V999S	3704-001105	SOCKET-CRT;11P,20PI,26.5PI,NI,-	
....5	CS20	2201-000472	C-CERAMIC,DISC;0.33nF,5%,50V,SL,TP,8.5x3	4		AA97-06484A	ASSY AUTO-MAIN;CS15K8SX/ELE,KS1A,BANGLAD	S.N.A
....5	CS21	2401-000027	C-AL;4.7uF,20%,50V,GP,TP,5x11,5	5	C101	2401-001101	C-AL;330uF,20%,16V,GP,TP,8x11.5,5	
....5	CS22	2201-000472	C-CERAMIC,DISC;0.33nF,5%,50V,SL,TP,8.5x3	5	C102	2202-000279	C-CERAMIC,MLC-AXIAL;47pF,5%,50V,SL,TP,3.	
....5	CS23	2305-000665	C-FILM,MPEF;100nF,5%,63V,TP,7.5x4.0x5.0m	5	C103	2305-000665	C-FILM,MPEF;100nF,5%,63V,TP,7.5x4.0x5.0m	
....5	CS24	2401-000480	C-AL;10uF,20%,50V,GP,TP,5x11,5	5	C104	2202-000796	C-CERAMIC,MLC-AXIAL;1nF,10%,50V,Y5P,TP,3	
....5	CS25	2401-002144	C-AL;47uF,20%,16V,GP,TP,5x11,5	5	C105	2202-000127	C-CERAMIC,MLC-AXIAL;10nF,+80-20%,25V,Y5V	
....5	CS26	2201-000112	C-CERAMIC,DISC;1.5nF,10%,50V,Y5V,TP,5x3.	5	C106	2202-000127	C-CERAMIC,MLC-AXIAL;10nF,+80-20%,25V,Y5V	
....5	CS27	2202-000121	C-CERAMIC,MLC-AXIAL;100pF,10%,50V,Y5P,TP	5	C107	2202-000127	C-CERAMIC,MLC-AXIAL;10nF,+80-20%,25V,Y5V	
....5	CS28	2202-000286	C-CERAMIC,MLC-AXIAL;56pF,5%,50V,SL,TP,1.	5	C109	2301-000224	C-FILM,PEF;22nF,5%,50V,TP,7.4x3.9x13mm,5	
....5	CS29	2201-000304	C-CERAMIC,DISC;0.001nF,0.25pF,50V,NP0,TP	5	C110	2401-000914	C-AL;22uF,20%,16V,GP,TP,5x11,5	
....5	CS30	2201-000304	C-CERAMIC,DISC;0.001nF,0.25pF,50V,NP0,TP	5	C111	2202-000127	C-CERAMIC,MLC-AXIAL;10nF,+80-20%,25V,Y5V	
....5	CS35	2301-000111	C-FILM,PEF;1.8nF,5%,50V,TP,6.5x3.0x5.5mm	5	C113	2401-000914	C-AL;22uF,20%,16V,GP,TP,5x11,5	
....5	ICS02	1203-000515	IC-VOL. DETECTOR;7042,TO-92,3P,177MIL,PL	5	C115	2202-000632	C-CERAMIC,MLC-AXIAL;100nF,20%,50V,Z5U,TP	
....5	LS01	2701-000184	INDUCTOR-AXIAL;4.7uH,10%,2.5x3.4mm	5	C117	2202-000127	C-CERAMIC,MLC-AXIAL;10nF,+80-20%,25V,Y5V	
				5	C118	2301-000383	C-FILM,PEF;10nF,5%,50V,TP,6x7x3.2mm,5mm	

Electrical Parts List

Level	Loc. No.	Code No.	Description ; Specification	Remark	Level	Loc. No.	Code No.	Description ; Specification	Remark
....5	C119	2401-000027	C-AL;4.7uF;20%,50V,GP,TP;5x11,5	5	C817	2401-000302	C-AL;100uF;20%,25V,GP,TP;6.3x11,5	
....5	C120	2401-000027	C-AL;4.7uF;20%,50V,GP,TP;5x11,5	5	C818	2401-003028	C-AL;100uF;20%,25V,WT,TP;6.3x11,5	
....5	C121	2305-000412	C-FILM,MPEF;470nF;5%,63V,TP,-,5mm	5	C819	2305-000665	C-FILM,MPEF;100nF;5%,63V,TP;7.5x4.0x5.0mm	
....5	C203	2401-001176	C-AL;33uF;20%,25V,GP,TP;5x11,5	5	C820	2401-000480	C-AL;10uF;20%,50V,GP,TP;5x11,5	
....5	C207	2305-000412	C-FILM,MPEF;470nF;5%,63V,TP,-,5mm	5	C821	2401-003028	C-AL;100uF;20%,25V,WT,TP;6.3x11,5	
....5	C208	2305-000665	C-FILM,MPEF;100nF;5%,63V,TP;7.5x4.0x5.0mm	5	C822	2401-000711	C-AL;220uF;20%,25V,GP,TP;16x25,7,5	
....5	C209	2401-001840	C-AL;100uF;20%,16V,GP,TP;6.3x11,5	5	C823	2401-000302	C-AL;100uF;20%,25V,GP,TP;6.3x11,5	
....5	C210	2305-000665	C-FILM,MPEF;100nF;5%,63V,TP;7.5x4.0x5.0mm	5	C825	2401-003028	C-AL;100uF;20%,25V,WT,TP;6.3x11,5	
....5	C211	2202-000632	C-CERAMIC,MLC-AXIAL;100nF;20%,50V,Z5U,TP	5	C826	2202-000632	C-CERAMIC,MLC-AXIAL;100nF;20%,50V,Z5U,TP	
....5	C213	2401-001840	C-AL;100uF;20%,16V,GP,TP;6.3x11,5	5	C827	2401-000927	C-AL;22uF;20%,250V,GP,TP;13x20,5	
....5	C214	2401-001840	C-AL;100uF;20%,16V,GP,TP;6.3x11,5	5	C903	2401-001840	C-AL;100uF;20%,16V,GP,TP;6.3x11,5	
....5	C215	2305-000289	C-FILM,MPEF;220nF;5%,63V,TP,-,5mm	5	C904	2301-000383	C-FILM,PEF;10nF;5%,50V,TP;6.7x3.2mm,5mm	
....5	C216	2305-000289	C-FILM,MPEF;220nF;5%,63V,TP,-,5mm	5	C906	2202-000796	C-CERAMIC,MLC-AXIAL;1nF;10%,50V,Y5P,TP3	
....5	C217	2301-000342	C-FILM,PEF;2.2nF;5%,50V,TP;7.4x3.9x13mm,5	5	C908	2201-000573	C-CERAMIC,DISC;0.047nF;5%,50V,NP0,TP;5x3	
....5	C218	2305-000665	C-FILM,MPEF;100nF;5%,63V,TP;7.5x4.0x5.0mm	5	C909	2201-000573	C-CERAMIC,DISC;0.047nF;5%,50V,NP0,TP;5x3	
....5	C219	2401-000603	C-AL;1uF;20%,50V,GP,TP;5x11,5	5	C910	2401-001840	C-AL;100uF;20%,16V,GP,TP;6.3x11,5	
....5	C220	2401-002235	C-AL;10uF;20%,16V,GP,TP;5x11mm,5mm	5	C911	2202-000632	C-CERAMIC,MLC-AXIAL;100nF;20%,50V,Z5U,TP	
....5	C221	2401-000660	C-AL;2.2uF;20%,50V,GP,TP;5x11,5	5	C912	2202-000121	C-CERAMIC,MLC-AXIAL;100pF;10%,50V,Y5P,TP	
....5	C222	2401-000758	C-AL;220nF;20%,50V,GP,TP;5x11,5	5	C913	2305-000665	C-FILM,MPEF;100nF;5%,63V,TP;7.5x4.0x5.0mm	
....5	C223	2202-000796	C-CERAMIC,MLC-AXIAL;1nF;10%,50V,Y5P,TP3	5	C915	2401-000302	C-AL;100uF;20%,25V,GP,TP;6.3x11,5	
....5	C224	2202-000796	C-CERAMIC,MLC-AXIAL;1nF;10%,50V,Y5P,TP3	5	CN602	3711-002643	CONNECTOR-HEADER;BOX,4P,1R,2.5mm,STRAIGH	
....5	C225	2309-000138	C-FILM,PE-PPF;100nF;5%,50V,TP;20x16x8.5,	5	CN707A	3711-002645	CONNECTOR-HEADER;BOX,6P,1R,2.5mm,STRAIGH	
....5	C229	2401-001840	C-AL;100uF;20%,16V,GP,TP;6.3x11,5	5	CR404S	2201-000639	C-CERAMIC,DISC;0.68nF;10%,2kV,Y5P,TP;9x5	
....5	C230	2305-000665	C-FILM,MPEF;100nF;5%,63V,TP;7.5x4.0x5.0mm		△	CR406S	2305-000382	C-FILM,MPEF;4.7nF;5%,400V,TP,-,5mm	
....5	C233	2305-000289	C-FILM,MPEF;220nF;5%,63V,TP,-,5mm	5	D101	0401-000005	DIODE-SWITCHING;1N4148,100V,200mA,DO-35,	
....5	C234	2301-000342	C-FILM,PEF;2.2nF;5%,50V,TP;7.4x3.9x13mm,5	5	D103	0401-000005	DIODE-SWITCHING;1N4148,100V,200mA,DO-35,	
....5	C248	2301-000445	C-FILM,PEF;4.7nF;5%,50V,TP;5.5x7.3mm,5mm	5	D201	0401-000005	DIODE-SWITCHING;1N4148,100V,200mA,DO-35,	
....5	C301	2305-000285	C-FILM,MPEF;220nF;5%,100V,TP;10.5X5.5X15	5	D301	0402-001105	DIODE-RECTIFIER;ERB43-04SV1,400V,1.0A,-,	
....5	C302	2201-000259	C-CERAMIC,DISC;0.18nF;10%,500V,Y5P,TP5,	5	D302	0402-001352	DIODE-RECTIFIER;GUF15G-20A,400V,1.5A,DO-	
....5	C303	2201-000556	C-CERAMIC,DISC;0.47nF;10%,500V,Y5P,TP5,	5	D303	0402-000132	DIODE-RECTIFIER;1N4004,400V,1A,DO-41,TP	
....5	C304	2401-002288	C-AL;470uF;20%,25V,WT,TP;10x20,5	5	D304	0402-001105	DIODE-RECTIFIER;ERB43-04SV1,400V,1.0A,-,	
....5	C305	2201-000556	C-CERAMIC,DISC;0.47nF;10%,500V,Y5P,TP5,	5	D305	0401-000005	DIODE-SWITCHING;1N4148,100V,200mA,DO-35,	
....5	C306	2401-002288	C-AL;470uF;20%,25V,WT,TP;10x20,5		△	D401	0402-001105	DIODE-RECTIFIER;ERB43-04SV1,400V,1.0A,-,	
....5	C307	2401-000365	C-AL;100uF;20%,50V,WT,TP;10x12.5mm,	5	D501	0402-000254	DIODE-RECTIFIER;RGP10J,600V,1A,DO-41,TP	
....5	C308	2401-000360	C-AL;100uF;20%,50V,GP,TP;8x11.5,5	5	D502	0402-001105	DIODE-RECTIFIER;ERB43-04SV1,400V,1.0A,-,	
....5	C309	2301-000254	C-FILM,PEF;39nF;5%,50V,TP;7.5x3.5x6.5mm,	5	D503	0402-001105	DIODE-RECTIFIER;ERB43-04SV1,400V,1.0A,-,	
....5	C310	2401-000223	C-AL;100nF;20%,50V,LL,TP;5x11mm,5mm	5	D504	0402-001105	DIODE-RECTIFIER;ERB43-04SV1,400V,1.0A,-,	
....5	C312	2305-000149	C-FILM,MPEF;100nF;5%,100V,TP;12x12.5x6.5		△	D801S	0402-001111	DIODE-RECTIFIER;1N5397GP;600V,1.5A,DO-20	
....5	C403	2401-000560	C-AL;1uF;20%,160V,GP,TP;6.3x11,5		△	D802	0402-001111	DIODE-RECTIFIER;1N5397GP;600V,1.5A,DO-20	
....5	C406	2401-002619	C-AL;47uF;20%,25V,GP,TP;5x11,5		△	D802S	0402-001111	DIODE-RECTIFIER;1N5397GP;600V,1.5A,DO-20	
....5	C407	2301-000383	C-FILM,PEF;10nF;5%,50V,TP;6.7x3.2mm,5mm		△	D803	0402-000254	DIODE-RECTIFIER;RGP10J,600V,1A,DO-41,TP	
....5	C408	2201-000599	C-CERAMIC,DISC;0.56nF;10%,500V,Y5P,TP5,		△	D803S	0402-001111	DIODE-RECTIFIER;1N5397GP;600V,1.5A,DO-20	
....5	C420	2301-001065	C-FILM,MPEF;47nF;5%,630V,TP;19x15.5x7.7,		△	D804	0401-000005	DIODE-SWITCHING;1N4148,100V,200mA,DO-35,	
....5	C502	2301-000213	C-FILM,PEF;220nF;5%,250V,TP;21.5x11,5		△	D804S	0402-001111	DIODE-RECTIFIER;1N5397GP;600V,1.5A,DO-20	
....5	C503	2201-000723	C-CERAMIC,DISC;4.7nF;20%,3kV,Y5U,TP;16x5		△	D805	0402-000540	DIODE-RECTIFIER;RU20A,600V,1.5A,-,TP	
....5	C504	2401-001232	C-AL;4.7uF;20%,250V,GP,TP;10x12.5,5		△	D808	0401-000005	DIODE-SWITCHING;1N4148,100V,200mA,DO-35,	
....5	C505	2202-000825	C-CERAMIC,MLC-AXIAL;680pF;10%,50V,Y5P,TP		△	D809	0402-000132	DIODE-RECTIFIER;1N4004,400V,1A,DO-41,TP	
....5	C506	2401-000430	C-AL;10uF;20%,250V,GP,TP;10x16mm,5mm		△	D811	0401-000005	DIODE-SWITCHING;1N4148,100V,200mA,DO-35,	
....5	C601	2401-001998	C-AL;1000uF;20%,25V,GP,TP;10x20,5mm		△	D812	0402-001105	DIODE-RECTIFIER;ERB43-04SV1,400V,1.0A,-,	
....5	C603	2305-000289	C-FILM,MPEF;220nF;5%,63V,TP,-,5mm	5	D901	0401-000005	DIODE-SWITCHING;1N4148,100V,200mA,DO-35,	
....5	C604	2401-000660	C-AL;2.2uF;20%,50V,GP,TP;5x11,5	5	DZ101	0403-000700	DIODE-ZENER;TZP33A,33V,31-35V,1W,DO-41,T	
....5	C605	2401-000660	C-AL;2.2uF;20%,50V,GP,TP;5x11,5	5	DZ201	0403-000720	DIODE-ZENER;MTZJ9.1B.9.1V;8.57-9.01V,500	
....5	C606	2301-000314	C-FILM,PEF;8.2nF;5%,50V,TP;6.5x3.0x5.5mm	5	DZ203	0403-001322	DIODE-ZENER;MTZJ8.2B.7.78-8.19V;500mW,DO	
....5	C607	2305-000289	C-FILM,MPEF;220nF;5%,63V,TP,-,5mm	5	DZ204	0403-000720	DIODE-ZENER;MTZJ9.1B.9.1V;8.57-9.01V,500	
....5	C610	2301-000314	C-FILM,PEF;8.2nF;5%,50V,TP;6.5x3.0x5.5mm	5	DZ205	0403-000720	DIODE-ZENER;MTZJ9.1B.9.1V;8.57-9.01V,500	
....5	C611	2305-000289	C-FILM,MPEF;220nF;5%,63V,TP,-,5mm	5	DZ207	0403-000720	DIODE-ZENER;MTZJ9.1B.9.1V;8.57-9.01V,500	
....5	C612	2401-000480	C-AL;10uF;20%,50V,GP,TP;5x11,5	5	DZ301	0403-001328	DIODE-ZENER;MTZJ22A.20.15-21.20V;500mW,D	
....5	C613	2305-000289	C-FILM,MPEF;220nF;5%,63V,TP,-,5mm	5	DZ302	0403-001221	DIODE-ZENER;UZ398SB,35.36-37.19V;500mW,D	
....5	C618	2305-000665	C-FILM,MPEF;100nF;5%,63V,TP;7.5x4.0x5.0mm	5	DZ303	0403-000700	DIODE-ZENER;TZP33A,33V,31-35V,1W,DO-41,T	
....5	C619	2305-000665	C-FILM,MPEF;100nF;5%,63V,TP;7.5x4.0x5.0mm	5	DZ305	0403-001328	DIODE-ZENER;MTZJ22A.20.15-21.20V;500mW,D	
....5	C701	2202-000121	C-CERAMIC,MLC-AXIAL;100pF;10%,50V,Y5P,TP	5	DZ306	0403-000720	DIODE-ZENER;MTZJ9.1B.9.1V;8.57-9.01V,500	
....5	C702	2202-000210	C-CERAMIC,MLC-AXIAL;270pF;10%,50V,Y5P,TP	5	DZ307	0403-000720	DIODE-ZENER;MTZJ9.1B.9.1V;8.57-9.01V,500	
....5	C703	2202-000121	C-CERAMIC,MLC-AXIAL;100pF;10%,50V,Y5P,TP	5	DZ401	0403-000508	DIODE-ZENER;MTZJ5.6B.5.6V;5.45-5.73V,500	
....5	C704	2202-000121	C-CERAMIC,MLC-AXIAL;100pF;10%,50V,Y5P,TP	5	DZ402	0403-000508	DIODE-ZENER;MTZJ5.6B.5.6V;5.45-5.73V,500	
....5	C707	2301-000445	C-FILM,PEF;4.7nF;5%,50V,TP;5.5x7.3mm,5mm	5	DZ501	0403-000720	DIODE-ZENER;MTZJ9.1B.9.1V;8.57-9.01V,500	
....5	C802	2401-001192	C-AL;33uF;20%,50V,GP,TP;6.3x11,5	5	DZ502	0403-000720	DIODE-ZENER;MTZJ9.1B.9.1V;8.57-9.01V,500	
....5	C803	2305-000665	C-FILM,MPEF;100nF;5%,63V,TP;7.5x4.0x5.0mm	5	DZ503	0403-000720	DIODE-ZENER;MTZJ9.1B.9.1V;8.57-9.01V,500	
....5	C804	2301-000224	C-FILM,PEF;22nF;5%,50V,TP;7.4x3.9x13mm,5	5	DZ504	0403-000720	DIODE-ZENER;MTZJ9.1B.9.1V;8.57-9.01V,500	
....5	C805	2301-000235	C-FILM,PEF;3.9nF;5%,50V,TP;6.5x3.0x5.5mm	5	DZ704	0403-000720	DIODE-ZENER;MTZJ9.1B.9.1V;8.57-9.01V,500	
....5	C806	2301-001435	C-FILM,PPF;1.5nF;5%,1.2kV,TP;15x8x12.5mm	5	DZ801	0403-001140	DIODE-ZENER;RD10ESAB-T4,10V,9.19-10.30V,	
....5	C810	2301-000192	C-FILM,PEF;1nF;5%,50V,TP;5.3x10mm,5mm	5	DZ802	0403-001318	DIODE-ZENER;MTZJ4.3B.4.17-4.43V;500mW,DO	
....5	C811	2201-000991	C-CERAMIC,DISC;0.56nF;10%,2kV,Y5P,TP;7,5	5	DZ803	0403-000699	DIODE-ZENER;TZP27B,27V,27-30.8V,1W,DO-41	
....5	C812	2401-000262	C-AL;100uF;20%,160V,HR,TP;16x25,7,5	5	DZ804	0403-000510	DIODE-ZENER;MTZJ6.2B.6.2V;5.96-6.27V,500	
....5	C813	2401-002290	C-AL;47uF;20%,160V,GP,TP;13x20,5	5	DZ805	0403-001327	DIODE-ZENER;MTZJ18A,16.22-17.06V;500mW,D	
....5	C814	2201-000991	C-CERAMIC,DISC;0.56nF;10%,2kV,Y5P,TP;7,5	5	DZ806	0403-001317	DIODE-ZENER;MTZJ3.0B,3.01-3.22V;500mW,DO	
....5	C816	2201-000375	C-CERAMIC,DISC;0.22nF;5%,50V,RH,TP;12.5x	5	DZ807	0403-000508	DIODE-ZENER;MTZJ5.6B.5.6V;5.45-5.73V,500	

Level	Loc. No.	Code No.	Description ; Specification	Remark	Level	Loc. No.	Code No.	Description ; Specification	Remark
....5	DZ808	0403-000720	DIODE-ZENER;MTZJ9.1B,9.1V,8.57-9.01V,500	5	GT302	AA60-40014A	PIN-GT,ASSY;1P,-,AUTO	S.N.A
....5	DZ809	0403-000508	DIODE-ZENER;MTZJ5.6B,5.6V,5.45-5.73V,500	5	GT401	AA60-40014A	PIN-GT,ASSY;1P,-,AUTO	S.N.A
....5	DZ810	0403-000508	DIODE-ZENER;MTZJ5.6B,5.6V,5.45-5.73V,500	5	GT402	AA60-40014A	PIN-GT,ASSY;1P,-,AUTO	S.N.A
....5	DZ901	0403-001319	DIODE-ZENER;MTZJ4.7C,4.68-4.93V,500mW,DO	5	GT501	AA60-40014A	PIN-GT,ASSY;1P,-,AUTO	S.N.A
....5	DZ903	0403-000508	DIODE-ZENER;MTZJ5.6B,5.6V,5.45-5.73V,500	5	GT502	AA60-40014A	PIN-GT,ASSY;1P,-,AUTO	S.N.A
....5	DZ904	0403-000508	DIODE-ZENER;MTZJ5.6B,5.6V,5.45-5.73V,500	5	GT801	AA60-40014A	PIN-GT,ASSY;1P,-,AUTO	S.N.A
....5	DZ905	0403-000508	DIODE-ZENER;MTZJ5.6B,5.6V,5.45-5.73V,500	5	GT802	AA60-40014A	PIN-GT,ASSY;1P,-,AUTO	S.N.A
....5	DZ906	0403-001319	DIODE-ZENER;MTZJ4.7C,4.68-4.93V,500mW,DO	5	GT803	AA60-40014A	PIN-GT,ASSY;1P,-,AUTO	S.N.A
....5	DZ907	0403-001319	DIODE-ZENER;MTZJ4.7C,4.68-4.93V,500mW,DO	5	GT804	AA60-40014A	PIN-GT,ASSY;1P,-,AUTO	S.N.A
....5	DZ908	0403-001319	DIODE-ZENER;MTZJ4.7C,4.68-4.93V,500mW,DO	5	GT805	AA60-40014A	PIN-GT,ASSY;1P,-,AUTO	S.N.A
....5	EL301	AA60-40011B	EYELET;ID2.2,OD3.2,-,BSP-	S.N.A5	GT806	AA60-40014A	PIN-GT,ASSY;1P,-,AUTO	S.N.A
....5	EL302	AA60-40011B	EYELET;ID2.2,OD3.2,-,BSP-	S.N.A5	GT807	AA60-40014A	PIN-GT,ASSY;1P,-,AUTO	S.N.A
....5	EL403	AA60-40011B	EYELET;ID2.2,OD3.2,-,BSP-	S.N.A5	HIC01	AA13-20004W	IC-HYBRID,-,PAP103T,SIP6PPRE-AMPTP	
....5	EL404	AA60-40011B	EYELET;ID2.2,OD3.2,-,BSP-	S.N.A	△	IC803	1203-001217	IC-POS1,ADJUST REG.;431,TO-92,3P4.58MIL	
....5	EL407	AA60-40011B	EYELET;ID2.2,OD3.2,-,BSP-	S.N.A5	J125	2001-000016	R-CARBON(S);10OHM,5%,1/2W,AA,TP,2.4X6.4MM	
....5	EL408	AA60-40011B	EYELET;ID2.2,OD3.2,-,BSP-	S.N.A5	J137	2001-000281	R-CARBON;100OHM,5%,1/8W,AA,TP,1.8X3.2MM	
....5	EL501	AA60-40011B	EYELET;ID2.2,OD3.2,-,BSP-	S.N.A5	J142	2701-000115	INDUCTOR-AXIAL;10uH,10%,3x7mm	
....5	EL502	AA60-40011B	EYELET;ID2.2,OD3.2,-,BSP-	S.N.A5	J910	3301-000287	CORE-FERRITE BEAD;AA,3.5x1.0x6.0mm,1500,	
....5	EL601	AA60-40011B	EYELET;ID2.2,OD3.2,-,BSP-	S.N.A5	L101	2701-000326	INDUCTOR-AXIAL;560nH,10%,2.3x3.4mm	
....5	EL602	AA60-40011B	EYELET;ID2.2,OD3.2,-,BSP-	S.N.A5	L102	2701-000159	INDUCTOR-AXIAL;22uH,10%,4.2x9.8mm	
....5	EL801	AA60-40011B	EYELET;ID2.2,OD3.2,-,BSP-	S.N.A5	L103	2701-000114	INDUCTOR-AXIAL;10uH,10%,2.5x3.4mm	
....5	EL802	AA60-40011B	EYELET;ID2.2,OD3.2,-,BSP-	S.N.A5	L104	2701-000168	INDUCTOR-AXIAL;3.3uH,5%,2.5x3.4mm	
....5	EL804	AA60-40011B	EYELET;ID2.2,OD3.2,-,BSP-	S.N.A5	L201	2701-000159	INDUCTOR-AXIAL;22uH,10%,4.2x9.8mm	
....5	EY101	AA60-40011A	EYELET;ID2.0,OD2.8,-,BST-	S.N.A5	L202	2701-000114	INDUCTOR-AXIAL;10uH,10%,2.5x3.4mm	
....5	EY401	AA60-40011A	EYELET;ID2.0,OD2.8,-,BST-	S.N.A5	L203	2701-000127	INDUCTOR-AXIAL;15uH,10%,2.5x3.4mm	
....5	EY402	AA60-40011A	EYELET;ID2.0,OD2.8,-,BST-	S.N.A5	L204	2701-000184	INDUCTOR-AXIAL;4.7uH,10%,2.5x3.4mm	
....5	EY403	AA60-40011A	EYELET;ID2.0,OD2.8,-,BST-	S.N.A5	L205	2701-000159	INDUCTOR-AXIAL;22uH,10%,4.2x9.8mm	
....5	EY404	AA60-40011A	EYELET;ID2.0,OD2.8,-,BST-	S.N.A5	L301	2701-000142	INDUCTOR-AXIAL;1uH,10%,2.5x3.4mm	
....5	EY405	AA60-40011A	EYELET;ID2.0,OD2.8,-,BST-	S.N.A5	L302	2701-000142	INDUCTOR-AXIAL;1uH,10%,2.5x3.4mm	
....5	EY406	AA60-40011A	EYELET;ID2.0,OD2.8,-,BST-	S.N.A	△	L403	2901-000297	FILTER-EMI ON BOARD;-3A,-,3.5x5,TP-	
....5	EY407	AA60-40011A	EYELET;ID2.0,OD2.8,-,BST-	S.N.A5	L404	2701-000142	INDUCTOR-AXIAL;1uH,10%,2.5x3.4mm	
....5	EY408	AA60-40011A	EYELET;ID2.0,OD2.8,-,BST-	S.N.A5	L405	2701-000159	INDUCTOR-AXIAL;22uH,10%,4.2x9.8mm	
....5	EY409	AA60-40011A	EYELET;ID2.0,OD2.8,-,BST-	S.N.A5	L701	2701-000184	INDUCTOR-AXIAL;4.7uH,10%,2.5x3.4mm	
....5	EY410	AA60-40011A	EYELET;ID2.0,OD2.8,-,BST-	S.N.A5	L702	2701-000184	INDUCTOR-AXIAL;4.7uH,10%,2.5x3.4mm	
....5	EY411	AA60-40011A	EYELET;ID2.0,OD2.8,-,BST-	S.N.A5	L703	2701-000184	INDUCTOR-AXIAL;4.7uH,10%,2.5x3.4mm	
....5	EY412	AA60-40011A	EYELET;ID2.0,OD2.8,-,BST-	S.N.A5	L704	2701-000184	INDUCTOR-AXIAL;4.7uH,10%,2.5x3.4mm	
....5	EY414	AA60-40011A	EYELET;ID2.0,OD2.8,-,BST-	S.N.A5	L802	3301-000287	CORE-FERRITE BEAD;AA,3.5x1.0x6.0mm,1500,	
....5	EY415	AA60-40011A	EYELET;ID2.0,OD2.8,-,BST-	S.N.A5	L803	3301-000287	CORE-FERRITE BEAD;AA,3.5x1.0x6.0mm,1500,	
....5	EY416	AA60-40011A	EYELET;ID2.0,OD2.8,-,BST-	S.N.A5	L804	2701-001030	INDUCTOR-AXIAL;43uH,10%,5x14mm	
....5	EY417	AA60-40011A	EYELET;ID2.0,OD2.8,-,BST-	S.N.A5	L806	2901-000297	FILTER-EMI ON BOARD;-3A,-,3.5x5,TP-	
....5	EY419	AA60-40011A	EYELET;ID2.0,OD2.8,-,BST-	S.N.A5	L807	2701-001030	INDUCTOR-AXIAL;43uH,10%,5x14mm	
....5	EY420	AA60-40011A	EYELET;ID2.0,OD2.8,-,BST-	S.N.A5	L808	2901-000297	FILTER-EMI ON BOARD;-3A,-,3.5x5,TP-	
....5	EY421	AA60-40011A	EYELET;ID2.0,OD2.8,-,BST-	S.N.A5	L902	2701-000114	INDUCTOR-AXIAL;10uH,10%,2.5x3.4mm	
....5	EY422	AA60-40011A	EYELET;ID2.0,OD2.8,-,BST-	S.N.A5	L903	2701-000158	INDUCTOR-AXIAL;22uH,10%,2.5x3.4mm	
....5	EY423	AA60-40011A	EYELET;ID2.0,OD2.8,-,BST-	S.N.A5	L904	2701-000114	INDUCTOR-AXIAL;10uH,10%,2.5x3.4mm	
....5	EY501	AA60-40011A	EYELET;ID2.0,OD2.8,-,BST-	S.N.A5	PCB	AA41-00131H	PCB-MAIN;CS21DB,FR,1,1L,H,1.6T,245X245,K	S.N.A
....5	EY801	AA60-40011A	EYELET;ID2.0,OD2.8,-,BST-	S.N.A5	Q101	0501-000389	TR-SMALL SIGNAL;KSC815,NPN,400mW,TO-92,T	
....5	EY802	AA60-40011A	EYELET;ID2.0,OD2.8,-,BST-	S.N.A5	Q102	0501-000389	TR-SMALL SIGNAL;KSC815,NPN,400mW,TO-92,T	
....5	EY803	AA60-40011A	EYELET;ID2.0,OD2.8,-,BST-	S.N.A5	Q201	0501-000283	TR-SMALL SIGNAL;KSA539,PNP,400mW,TO-92,T	
....5	EY807	AA60-40011A	EYELET;ID2.0,OD2.8,-,BST-	S.N.A5	Q202	0501-000389	TR-SMALL SIGNAL;KSC815,NPN,400mW,TO-92,T	
....5	EY808	AA60-40011A	EYELET;ID2.0,OD2.8,-,BST-	S.N.A5	Q203	0501-000283	TR-SMALL SIGNAL;KSA539,PNP,400mW,TO-92,T	
....5	EY809	AA60-40011A	EYELET;ID2.0,OD2.8,-,BST-	S.N.A5	Q204	0501-000389	TR-SMALL SIGNAL;KSC815,NPN,400mW,TO-92,T	
....5	EY810	AA60-40011A	EYELET;ID2.0,OD2.8,-,BST-	S.N.A5	Q205	0501-000389	TR-SMALL SIGNAL;KSC815,NPN,400mW,TO-92,T	
....5	EY813	AA60-40011A	EYELET;ID2.0,OD2.8,-,BST-	S.N.A5	Q206	0501-000283	TR-SMALL SIGNAL;KSA539,PNP,400mW,TO-92,T	
....5	EY818	AA60-40011A	EYELET;ID2.0,OD2.8,-,BST-	S.N.A5	Q301	0501-000283	TR-SMALL SIGNAL;KSA539,PNP,400mW,TO-92,T	
....5	EY819	AA60-40011A	EYELET;ID2.0,OD2.8,-,BST-	S.N.A5	Q402	0501-000369	TR-SMALL SIGNAL;KSC2331-Y,NPN,1000mW,TO-	
....5	EY821	AA60-40011A	EYELET;ID2.0,OD2.8,-,BST-	S.N.A5	Q802	0501-000389	TR-SMALL SIGNAL;KSC815,NPN,400mW,TO-92,T	
....5	EY822	AA60-40011A	EYELET;ID2.0,OD2.8,-,BST-	S.N.A5	Q803	0502-000242	TR-POWER;KSA614,PNP,25W,TO-220,TF,40-24	
....5	EY823	AA60-40011A	EYELET;ID2.0,OD2.8,-,BST-	S.N.A5	Q901	0501-000283	TR-SMALL SIGNAL;KSA539,PNP,400mW,TO-92,T	
....5	EY824	AA60-40011A	EYELET;ID2.0,OD2.8,-,BST-	S.N.A5	Q902	0504-000123	TR-DIGITAL;KSR1010,NPN,300mW,10K,TO-92,T	
....5	EY825	AA60-40011A	EYELET;ID2.0,OD2.8,-,BST-	S.N.A5	Q903	0501-000389	TR-SMALL SIGNAL;KSC815,NPN,400mW,TO-92,T	
....5	EY827	AA60-40011A	EYELET;ID2.0,OD2.8,-,BST-	S.N.A5	Q905	0501-000389	TR-SMALL SIGNAL;KSC815,NPN,400mW,TO-92,T	
....5	EY828	AA60-40011A	EYELET;ID2.0,OD2.8,-,BST-	S.N.A5	R103	2001-000008	R-CARBON;15KOHM,5%,1/8W,AA,TP,1.8X3.2MM	
....5	EY829	AA60-40011A	EYELET;ID2.0,OD2.8,-,BST-	S.N.A5	R104	2001-000429	R-CARBON;1KOHM,5%,1/8W,AA,TP,1.8X3.2MM	
....5	EY830	AA60-40011A	EYELET;ID2.0,OD2.8,-,BST-	S.N.A5	R105	2001-000577	R-CARBON;2KOHM,5%,1/8W,AA,TP,1.8X3.2MM	
....5	EY833	AA60-40011A	EYELET;ID2.0,OD2.8,-,BST-	S.N.A5	R106	2001-000290	R-CARBON;10KOHM,5%,1/8W,AA,TP,1.8X3.2MM	
....5	EY850	AA60-40011A	EYELET;ID2.0,OD2.8,-,BST-	S.N.A5	R108	2001-000947	R-CARBON;7.5KOHM,5%,1/8W,AA,TP,1.8X3.2MM	
....5	EY851	AA60-40011A	EYELET;ID2.0,OD2.8,-,BST-	S.N.A5	R109	2001-000786	R-CARBON;47KOHM,5%,1/8W,AA,TP,1.8X3.2MM	
....5	EY852	AA60-40011A	EYELET;ID2.0,OD2.8,-,BST-	S.N.A5	R110	2001-000924	R-CARBON;680OHM,5%,1/8W,AA,TP,1.8X3.2MM	
....5	EY853	AA60-40011A	EYELET;ID2.0,OD2.8,-,BST-	S.N.A5	R111	2001-000008	R-CARBON;15KOHM,5%,1/8W,AA,TP,1.8X3.2MM	
....5	EY860	AA60-40011A	EYELET;ID2.0,OD2.8,-,BST-	S.N.A5	R112	2001-000577	R-CARBON;2KOHM,5%,1/8W,AA,TP,1.8X3.2MM	
....5	EY861	AA60-40011A	EYELET;ID2.0,OD2.8,-,BST-	S.N.A5	R113	2001-000429	R-CARBON;1KOHM,5%,1/8W,AA,TP,1.8X3.2MM	
....5	F801A	3602-000114	FUSE-HOLDER,-,30mohm	5	R114	2001-000290	R-CARBON;10KOHM,5%,1/8W,AA,TP,1.8X3.2MM	
....5	F801B	3602-000114	FUSE-HOLDER,-,30mohm	5	R117	2001-000924	R-CARBON;680OHM,5%,1/8W,AA,TP,1.8X3.2MM	
△	FD801S	3601-001163	FUSE-AXIAL LEAD;125V,7A,-,EPOXY,2.4X7.1MM	S.N.A5	R202	2001-000689	R-CARBON;390KOHM,5%,1/8W,AA,TP,1.8X3.2MM	
....5	GT101	AA60-40014A	PIN-GT,ASSY;1P,-,AUTO	S.N.A5	R203	2001-000857	R-CARBON;560OHM,5%,1/8W,AA,TP,1.8X3.2MM	
....5	GT301	AA60-40014A	PIN-GT,ASSY;1P,-,AUTO	S.N.A5	R204	2001-000857	R-CARBON;560OHM,5%,1/8W,AA,TP,1.8X3.2MM	

Level	Loc. No.	Code No.	Description ; Specification	Remark	Level	Loc. No.	Code No.	Description ; Specification	Remark
....5	R205	2001-000011	R-CARBON;75KOHM,5%,1/8W,AA,TP1.8X3.2MM	5	R817	2004-004089	R-METAL(S);123Kohm,1%,1/2W,AA,TP2.5x6.5	
....5	R206	2001-000563	R-CARBON;27KOHM,5%,1/8W,AA,TP1.8X3.2MM	5	R818	2004-001399	R-METAL(S);5.1Kohm,1%,1/2W,AA,TP2.4x6.4	
....5	R207	2001-000005	R-CARBON;390ohm,5%,1/8W,AA,TP1.8X3.2mm	5	R819	2004-001390	R-METAL(S);1Kohm,2%,1/2W,AA,TP2.4x6.4mm	
....5	R208	2001-000591	R-CARBON;3.3KOHM,5%,1/8W,AA,TP1.8X3.2MM	5	R821	2001-001125	R-CARBON(S);300KOHM,5%,1/2W,AA,TP2.4X6.	
....5	R209	2001-000793	R-CARBON;470HM,5%,1/8W,AA,TP1.8X3.2MM	5	R822	2004-001983	R-METAL(S);2.49Kohm,1%,1/2W,AA,TP2.4x6.	
....5	R210	2001-000857	R-CARBON;560OHM,5%,1/8W,AA,TP1.8X3.2MM	5	R823	2001-000037	R-CARBON(S);330OHM,5%,1/2W,AA,TP2.4X6.4	
....5	R211	2001-000281	R-CARBON;100OHM,5%,1/8W,AA,TP1.8X3.2MM	5	R824	2008-000294	R-FUSIBLE(S);33ohm,5%,2W,AF,TP3.9x10mm	
....5	R212	2001-000405	R-CARBON;180OHM,5%,1/8W,AA,TP1.8X3.2MM	5	R825	2008-000266	R-FUSIBLE(S);1ohm,5%,2W,AF,TP3.9x10mm	
....5	R213	2001-000938	R-CARBON;680HM,5%,1/8W,AA,TP1.8X3.2MM	5	R826	2001-000290	R-CARBON;10KOHM,5%,1/8W,AA,TP1.8X3.2MM	
....5	R214	2001-000325	R-CARBON;120OHM,5%,1/8W,AA,TP1.8X3.2MM	5	R827	2003-000998	R-METAL OXIDE;300ohm,5%,2W,AF,TP3.9x10m	
....5	R215	2001-000281	R-CARBON;100OHM,5%,1/8W,AA,TP1.8X3.2MM	5	R828	2001-000290	R-CARBON;10KOHM,5%,1/8W,AA,TP1.8X3.2MM	
....5	R218	2001-000008	R-CARBON;15KOHM,5%,1/8W,AA,TP1.8X3.2MM	5	R829	2001-000563	R-CARBON;27KOHM,5%,1/8W,AA,TP1.8X3.2MM	
....5	R219	2004-001914	R-METAL;39Kohm,2%,1/8W,AA,TP1.8x3.5mm	5	R830	2001-000734	R-CARBON;4.7KOHM,5%,1/8W,AA,TP1.8X3.2MM	
....5	R222	2001-000947	R-CARBON;7.5KOHM,5%,1/8W,AA,TP1.8X3.2MM	5	R831	2001-001192	R-CARBON(S);820OHM,5%,1/2W,AA,TP2.4X6.4	
....5	R223	2001-000281	R-CARBON;100OHM,5%,1/8W,AA,TP1.8X3.2MM	5	R832	2001-001088	R-CARBON(S);1KOHM,5%,1/2W,AA,TP2.4X6.4M	
....5	R224	2001-000290	R-CARBON;10KOHM,5%,1/8W,AA,TP1.8X3.2MM	5	R834	2003-001040	R-METAL OXIDE(S);47Kohm,5%,2W,AF,TP3.9x	
....5	R225	2001-000281	R-CARBON;100OHM,5%,1/8W,AA,TP1.8X3.2MM	5	R837	2003-002064	R-METAL OXIDE;7.5ohm,5%,2W,AF,TP10x3.9m	
....5	R227	2001-000739	R-CARBON;4.7MOHM,5%,1/8W,AA,TP1.8X3.2MM	5	R838	2003-002064	R-METAL OXIDE;7.5ohm,5%,2W,AF,TP10x3.9m	
....5	R228	2001-000739	R-CARBON;4.7MOHM,5%,1/8W,AA,TP1.8X3.2MM	5	R839	2003-002064	R-METAL OXIDE;7.5ohm,5%,2W,AF,TP10x3.9m	
....5	R230	2001-000221	R-CARBON;1.2KOHM,5%,1/8W,AA,TP1.8X3.2MM	5	R840	2001-001078	R-CARBON(S);15KOHM,5%,1/2W,AA,TP2.4X6.4	
....5	R301	2001-000016	R-CARBON(S);1OHM,5%,1/2W,AA,TP2.4X6.4MM	5	R841	2001-000734	R-CARBON;4.7KOHM,5%,1/8W,AA,TP1.8X3.2MM	
....5	R302	2004-004366	R-METAL(S);1.3Kohm,1%,1/2W,AA,TP2.5x6.5	5	R843	2001-000019	R-CARBON(S);10OHM,5%,1/2W,AA,TP2.4X6.4M	
....5	R303	2003-002070	R-METAL OXIDE;1ohm,5%,2W,AF,TP3.9x10mm	5	R850	2001-001170	R-CARBON(S);6.8OHM,5%,1/2W,AA,TP2.4X6.4	
....5	R304	2008-000253	R-FUSIBLE(S);0.47ohm,5%,1W,AF,TP3.9x10m	5	R901	2001-000472	R-CARBON;2.7KOHM,5%,1/8W,AA,TP1.8X3.2MM	
....5	R305	2008-000253	R-FUSIBLE(S);0.47ohm,5%,1W,AF,TP3.9x10m	5	R902	2001-000241	R-CARBON;1.5KOHM,5%,1/8W,AA,TP1.8X3.2MM	
....5	R306	2004-004366	R-METAL(S);1.3Kohm,1%,1/2W,AA,TP2.5x6.5	5	R903	2001-000472	R-CARBON;2.7KOHM,5%,1/8W,AA,TP1.8X3.2MM	
....5	R307	2001-000290	R-CARBON;10KOHM,5%,1/8W,AA,TP1.8X3.2MM	5	R904	2001-000241	R-CARBON;1.5KOHM,5%,1/8W,AA,TP1.8X3.2MM	
....5	R308	2001-001093	R-CARBON(S);2.2KOHM,5%,1/2W,AA,TP2.4X6.	5	R905	2001-000005	R-CARBON;390ohm,5%,1/8W,AA,TP1.8x3.2mm	
....5	R313	2001-000258	R-CARBON;1.8KOHM,5%,1/8W,AA,TP1.8X3.2MM	5	R906	2001-000005	R-CARBON;390ohm,5%,1/8W,AA,TP1.8x3.2mm	
....5	R314	2003-000537	R-METAL OXIDE(S);1Kohm,5%,1W,AF,TP3.3x9	5	R907	2001-000472	R-CARBON;2.7KOHM,5%,1/8W,AA,TP1.8X3.2MM	
....5	R315	2003-002009	R-METAL OXIDE(S);390ohm,5%,2W,AF,TP3.9x	5	R908	2001-000472	R-CARBON;2.7KOHM,5%,1/8W,AA,TP1.8X3.2MM	
....5	R316	2003-002009	R-METAL OXIDE(S);390ohm,5%,2W,AF,TP3.9x	5	R909	2001-000281	R-CARBON;100OHM,5%,1/8W,AA,TP1.8X3.2MM	
....5	R402	2003-002178	R-METAL OXIDE(S);1Kohm,5%,2W,AG,TP3.9x1	5	R910	2001-000290	R-CARBON;10KOHM,5%,1/8W,AA,TP1.8X3.2MM	
....5	R403	2003-001093	R-METAL OXIDE(S);12Kohm,5%,2W,AF,TP3.9x	5	R911	2001-000281	R-CARBON;100OHM,5%,1/8W,AA,TP1.8X3.2MM	
....5	R405	2001-001116	R-CARBON(S);270HM,5%,1/2W,AA,TP2.4X6.4M	5	R912	2001-000281	R-CARBON;100OHM,5%,1/8W,AA,TP1.8X3.2MM	
....5	R407	2003-002209	R-METAL OXIDE(S);47Kohm,5%,2W,AG,TP3.9X	5	R913	2001-000281	R-CARBON;100OHM,5%,1/8W,AA,TP1.8X3.2MM	
....5	R408	2001-001037	R-CARBON(S);0.39OHM,5%,1/2W,AA,TP2.4X6.	5	R914	2001-000281	R-CARBON;100OHM,5%,1/8W,AA,TP1.8X3.2MM	
....5	R409	2001-000022	R-CARBON(S);330HM,5%,1/2W,AA,TP2.4X6.4M	5	R915	2001-000924	R-CARBON;680OHM,5%,1/8W,AA,TP1.8X3.2MM	
....5	R411	2001-001114	R-CARBON(S);270OHM,5%,1/2W,AA,TP2.4X6.4	5	R916	2001-000449	R-CARBON;2.2KOHM,5%,1/8W,AA,TP1.8X3.2MM	
....5	R413	2003-002130	R-METAL OXIDE(S);15ohm,5%,2W,AF,TP3.9x1	5	R917	2001-000449	R-CARBON;2.2KOHM,5%,1/8W,AA,TP1.8X3.2MM	
....5	R414	2001-001078	R-CARBON(S);15KOHM,5%,1/2W,AA,TP2.4X6.4	5	R918	2001-000429	R-CARBON;1KOHM,5%,1/8W,AA,TP1.8X3.2MM	
....5	R420	2008-001110	R-FUSIBLE(S);68ohm,5%,2W,AG,TP3.9X12mm	5	R919	2001-000290	R-CARBON;10KOHM,5%,1/8W,AA,TP1.8X3.2MM	
....5	R421	2008-001112	R-FUSIBLE(S);2.4ohm,5%,2W,AG,TP3.9x12mm	5	R920	2001-000290	R-CARBON;10KOHM,5%,1/8W,AA,TP1.8X3.2MM	
....5	R423	2004-002011	R-METAL(S);110Kohm,1%,1/2W,AA,TP2.4x6.4	5	R921	2001-000290	R-CARBON;10KOHM,5%,1/8W,AA,TP1.8X3.2MM	
....5	R424	2004-001402	R-METAL(S);6.8Kohm,1%,1/2W,AA,TP2.4x6.4	5	R922	2001-000290	R-CARBON;10KOHM,5%,1/8W,AA,TP1.8X3.2MM	
....5	R501	2001-000281	R-CARBON;100OHM,5%,1/8W,AA,TP1.8X3.2MM	5	R923	2001-000273	R-CARBON;100KOHM,5%,1/8W,AA,TP1.8X3.2MM	
....5	R501H	2002-001008	R-COMPOSITION;1.8Kohm,10%,1/2W,AA,TP3.7	5	R924	2001-000290	R-CARBON;10KOHM,5%,1/8W,AA,TP1.8X3.2MM	
....5	R502	2001-000281	R-CARBON;100OHM,5%,1/8W,AA,TP1.8X3.2MM	5	R925	2001-000734	R-CARBON;4.7KOHM,5%,1/8W,AA,TP1.8X3.2MM	
....5	R502H	2002-001008	R-COMPOSITION;1.8Kohm,10%,1/2W,AA,TP3.7	5	R926	2001-000429	R-CARBON;1KOHM,5%,1/8W,AA,TP1.8X3.2MM	
....5	R503	2002-001008	R-COMPOSITION;1.8Kohm,10%,1/2W,AA,TP3.7	5	R927	2001-000793	R-CARBON;470HM,5%,1/8W,AA,TP1.8X3.2MM	
....5	R504	2001-001062	R-CARBON(S);10MOHM,5%,1/2W,AA,TP2.4X6.4	5	R928	2001-000290	R-CARBON;10KOHM,5%,1/8W,AA,TP1.8X3.2MM	
....5	R505	2008-001015	R-FUSIBLE(S);1.5ohm,5%,2W,AF,TP3.9x10mm	5	R929	2001-000563	R-CARBON;27KOHM,5%,1/8W,AA,TP1.8X3.2MM	
....5	R506	2001-000281	R-CARBON;100OHM,5%,1/8W,AA,TP1.8X3.2MM	5	R931	2001-000429	R-CARBON;1KOHM,5%,1/8W,AA,TP1.8X3.2MM	
....5	R510	2001-000281	R-CARBON;100OHM,5%,1/8W,AA,TP1.8X3.2MM	5	R932	2001-000325	R-CARBON;120OHM,5%,1/8W,AA,TP1.8X3.2MM	
....5	R511	2001-000281	R-CARBON;100OHM,5%,1/8W,AA,TP1.8X3.2MM	5	R933	2001-000281	R-CARBON;100OHM,5%,1/8W,AA,TP1.8X3.2MM	
....5	R512	2001-000281	R-CARBON;100OHM,5%,1/8W,AA,TP1.8X3.2MM	5	R934	2001-000281	R-CARBON;100OHM,5%,1/8W,AA,TP1.8X3.2MM	
....5	R601	2001-000878	R-CARBON;6.2KOHM,5%,1/8W,AA,TP1.8X3.2MM	5	R938	2001-000281	R-CARBON;100OHM,5%,1/8W,AA,TP1.8X3.2MM	
....5	R602	2001-000258	R-CARBON;1.8KOHM,5%,1/8W,AA,TP1.8X3.2MM		△	RX801S	2002-001011	R-COMPOSITION;3.3Mohm,5%,1/2W,AA,TP3.7x	
....5	R605	2001-000258	R-CARBON;1.8KOHM,5%,1/8W,AA,TP1.8X3.2MM		△	RY801S	2002-001012	R-COMPOSITION;8.2Mohm,5%,1/2W,AA,TP3.7x	
....5	R607	2001-000878	R-CARBON;6.2KOHM,5%,1/8W,AA,TP1.8X3.2MM	5	SW901	3404-000244	SWITCH-TACT;15V,20mA,90-170gf,7.5x7mm,SP	
....5	R618	2001-000019	R-CARBON(S);10OHM,5%,1/2W,AA,TP2.4X6.4M	5	SW902	3404-000244	SWITCH-TACT;15V,20mA,90-170gf,7.5x7mm,SP	
....5	R619	2001-000019	R-CARBON(S);10OHM,5%,1/2W,AA,TP2.4X6.4M	5	SW903	3404-000244	SWITCH-TACT;15V,20mA,90-170gf,7.5x7mm,SP	
....5	R702	2001-000969	R-CARBON;750HM,5%,1/8W,AA,TP1.8X3.2MM	5	SW904	3404-000244	SWITCH-TACT;15V,20mA,90-170gf,7.5x7mm,SP	
....5	R712	2001-000857	R-CARBON;560OHM,5%,1/8W,AA,TP1.8X3.2MM	5	SW905	3404-000244	SWITCH-TACT;15V,20mA,90-170gf,7.5x7mm,SP	
....5	R715	2001-000857	R-CARBON;560OHM,5%,1/8W,AA,TP1.8X3.2MM	5	T101	AA26-00025A	TRANS-IF;7MG,-,-,10pf,-,58.35MHz,7.7x7	
....5	R719	2001-000969	R-CARBON;750HM,5%,1/8W,AA,TP1.8X3.2MM		△	VX801S	1405-000187	VARISTOR;750V,1250A,12.5x7mm,TP	
....5	R720	2001-000969	R-CARBON;750HM,5%,1/8W,AA,TP1.8X3.2MM	5	X901	2801-003937	CRYSTAL-UNIT;12MHz,25ppm,28-AAAM,30pf,30o	
....5	R801	2003-002171	R-METAL OXIDE(S);150ohm,5%,2W,AG,TP3.9x	5	Z201	2903-000129	FILTER-CERAMIC;BR,4.5MHz,-,-,TP-	
....5	R803	2003-000994	R-METAL OXIDE(S);33Kohm,5%,2W,AF,TP3.9x	5	Z202	2903-001240	FILTER-CERAMIC;TR,5.5MHz,-,28dB,-,TP-	
....5	R804	2003-000994	R-METAL OXIDE(S);33Kohm,5%,2W,AF,TP3.9x	5	Z203	2903-001246	FILTER-CERAMIC;TR,5.5MHz,-,-,TP,multi.	
....5	R805	2001-001170	R-CARBON(S);6.8OHM,5%,1/2W,AA,TP2.4X6.4	3	AA65-30009A	CLAMP-FBT;-ABS,VO,-,BLK,-	S.N.A	
....5	R808	2001-000109	R-CARBON(S);470OHM,5%,1/2W,AA,TP2.4X6.4	3	AA39-20010D	LEAD CONNECTOR-ASSY;1PYFH800-01,S,400,		
....5	R809	2001-001150	R-CARBON(S);470KOHM,5%,1/2W,AA,TP2.4X6.	3	AA65-30111A	CLAMP-WIRE;ALL MODEL,NYLON,VO,-,WHHT,1T1	S.N.A	
....5	R810	2001-001150	R-CARBON(S);470KOHM,5%,1/2W,AA,TP2.4X6.	2	AA95-01724B	ASSY SUB-A/VFRONT;S4,KS1ASTERE0,AA95-01	S.N.A	
....5	R814	2008-001087	R-FUSIBLE(S);1.8ohm,5%,2W,AG,TP3.9x12mm	3	CN702	AA39-20461C	LEAD CONNECTOR-ASSY;11PYBNH250-11,6709	
....5	R815	2008-001087	R-FUSIBLE(S);1.8ohm,5%,2W,AG,TP3.9x12mm	3	CN704A	AA39-00094A	LEAD CONNECTOR-ASSY;3(2)PYBNH250-03,35	

Level	Loc. No.	Code No.	Description ; Specification	Remark	Level	Loc. No.	Code No.	Description ; Specification	Remark
...	JE601	3722-000143	JACK-PHONE;1P(VER);3.4PI,AG,BLK,NO						
...	JR01	3722-001031	JACK-PIN;3P;3.6mm,#18,AU						
...		AA97-07200A	ASSY AUTO-A/V FRONT;KS1A,PAL,AA95-01435	S.N.A					
...	CE01	2401-001840	C-AL;100uF,20%,16V,GP,TP6.3x11,5		1	*	AA92-04016A	ASSY ACCESSORY;CS15K8SX/XHK,CS-15K8S,HON	S.N.A
...	CE02	2401-001840	C-AL;100uF,20%,16V,GP,TP6.3x11,5		..2		AA68-01602B	MANUAL USERS;ENG,W/P100G,ALL1,B5,KS1A,3	S.N.A
...	CE04	2202-000121	C-CERAMIC,MLC-AXIAL;100pF,10%,50V,Y5P,TP		..2		AA59-00104M	REMOCON;TM59,KS2A,29,L/GRAY,NON-TTX,GRA	
...	CE05	2202-000121	C-CERAMIC,MLC-AXIAL;100pF,10%,50V,Y5P,TP		..2		AA42-00003A	ANT ROD;-.3S,720mm,ABS,UL/CSA,-	
...	CE07	2202-000222	C-CERAMIC,MLC-AXIAL;3.3nF,20%,16V,Y5P,TP		..2		AA26-90002A	TRANS-MATCHING;-.75-300ohm,PAL,40-890MHZ	S.N.A
...	CE08	2202-000222	C-CERAMIC,MLC-AXIAL;3.3nF,20%,16V,Y5P,TP						
...	LE01	2701-000158	INDUCTOR-AXIAL;22uH,10%,2.5x3.4mm						
...	LE02	2701-000158	INDUCTOR-AXIAL;22uH,10%,2.5x3.4mm						
...	LE04	2701-000114	INDUCTOR-AXIAL;10uH,10%,2.5x3.4mm						
...	LE05	2701-000114	INDUCTOR-AXIAL;10uH,10%,2.5x3.4mm						
...	PCB	AA41-00568A	PCB-FRONT AV;S4/C5,FR-1,1LA,1.6T,245X24	S.N.A					
...	RE01	2001-001153	R-CARBON(S);47OHM,5%,1/2W,AA,TP,2.4X6.4MM						
...	RE02	2001-001153	R-CARBON(S);47OHM,5%,1/2W,AA,TP,2.4X6.4MM						
...		0202-000187	SOLDER-WIRE FLUX;-.RS60S,D1,2.63Sn/37Pb	S.N.A					
△	..2	AA96-20126J	ASSY POWER CORD;-.EP3/YES(HK),H/C 250MM,	S.N.A					
...	...	3811-000401	WIRE-PVC CU;BCWA,300V,ROLL,17/0.16mm,#22	S.N.A					
...	...	AA61-20284A	HOLDER;P-CORD,PP;-.BLK,VO,KE-002	S.N.A					
...	...	AA39-10007X	POWER-CORD;-.EP3/YES(HK),HQ3VWH2-F,2.4m,						

ASSY ACCESSORY

ASSY CPT

1	*	AA91-02805A	ASSY CPT;CS15K8SX/ELT	S.N.A
..2		AA91-02166F	ASSY CPT;A36QDT351X,15,+380MG,BARE,CT-1	S.N.A
..3		AA63-60028A	SPACER-DY;-.NEOPRENE,-,-,BLK,-,-,VO W1	S.N.A
△	..3	AA27-00161A	DEFLECTION YOKE;15DF,CDY-MT1501A,ST-3,A3	
..3		AA27-00002A	MAGNET-CONVERGENCE;-.JH291-SC-OB,29.1MM	
..3		AA03-00146A	CRT COLOR;A36QDT351X,+380mG,2.5mH,22.5mH	
..2		AA98-70014G	ASSY TBC WIRE(P);-.15inch,NTSC,1PKS2A/C	S.N.A
..2		AA27-00077A	COIL DEGAUSSING;-.4.3mH,20%,70T,90HM,-	

ASSY COVER REAR

1	*	AA90-01975W	ASSY COVER REAR;CS15K8SX/XHK	
..2		AA64-01731H	CABINET BACK;15K8,HIPS,VO,G4309	S.N.A
..2		AA64-60385B	INLAY-BACK;50.5366,PS,T0.3,-,-,BLK,LINE	S.N.A
..2		AA65-30008A	CLAMP-CORD;-.PE,HB,-,BLK,-	S.N.A

ASSY COVER FRONT

1	*	AA90-01813W	ASSY COVER FRONT;CS15K8SX/XHK	
..2	AV+CF	6006-001095	SCREW-ASSY TAPT;WP,BH,+M4,L12,ZPC(YEL)	S.N.A
..2	CB+CF	AA60-10050T	SCREW-TAPPING;-.SWRCH18A,M4,L20,RH,+2S,	S.N.A
..2	CB+JCK	6003-001026	SCREW-TAPTITE;RH,+B,M4,L15,ZPC(BLK),SWR	S.N.A
..2	CRT+CF	AA60-10050R	SCREW-ASSY;-.SWRCH18A,M5,L31.5,HH,+WC,-	S.N.A
..2		AA65-30107A	CLAMP-D,COIL,20-22 INCH,NYLON 66,V2,-,NT	S.N.A
..2		AA91-00619K	ASSY CABINET FRONT;15K8 EPP(SPK)SV012P	
..3	KC+CF	6003-001019	SCREW-TAPTITE;RH,+B,M4,L12,ZPC(BLK),SWR	S.N.A
..3	SPK+CF	6003-001019	SCREW-TAPTITE;RH,+B,M4,L12,ZPC(BLK),SWR	S.N.A
..3	WIN+CF	6003-001019	SCREW-TAPTITE;RH,+B,M4,L12,ZPC(BLK),SWR	S.N.A
..3		AA64-01371E	KNOB POWER;15K8,ABS,HB,G3676,SVM3012	
..3		AA64-01730K	CABINET-FRONT;15K8,HIPS,HB,G4309,SV012P+	S.N.A
..3		AA64-70127A	BADGE-BRAND;-.AL,-,-,L=40,SAMSUNG,SILVER	S.N.A
..3		AA65-00011C	CLAMP-WIRE;ALL MODEL,NYLON 66,V2,-,NTR,2	S.N.A
..3		AA96-10137B	ASSY-SPEAKER;-.8OHM,3W,3001-001020,AA39-3001-001020	S.N.A
..4		3001-001020	SPEAKER;3W,8ohm,90dB,140Hz	
..4		AA39-20505M	LEAD CONNECTOR-ASSY;4PYSH025-04,REC,35	
..3		AA65-30105A	CLAMP-WIRE;ALL MODEL,NYLON 66,V2,-,NTR,1	S.N.A
..3		AA64-01370E	KNOB CONTROL;15K8,ABS,HB,G3676,SVM3012	
..3		AA61-40113A	STOPPER-PCB;501H,HIPS,-,-,HB,NTR,-	S.N.A
..3		AA61-60003J	SPRING-CS;-.SUS304,-,-,OD6,N7,OD6,-,-,-	S.N.A
..3		AA64-00816B	WINDOW REMOCON;-.21A8,-,PC,VO,VIOLET,-	S.N.A
..4		AA83-00009A	LP-RESIN PC;LEXAN 121R,VIOLET	S.N.A
..3		AA64-00818B	INDICATOR LED;21A8,ACRYL,-,CLR,-,-,-	
..4		AA83-00010A	LP-RESIN;OROGLAS,VM-100 ZHN 2	S.N.A

7-2 CS21S1ZX/AWE

Level	Loc. No.	Code No.	Description ; Specification	Remark	Level	Loc. No.	Code No.	Description ; Specification	Remark
ASSY CHASSIS									
1	*	AA91-01696T	ASSY CHASSIS;CS21S1ZX/AWE	S.N.A5	C108	2202-000127	C-CERAMIC,MLC-AXIAL;10nF,+80-20%,25V,Y5V	
..2		AA94-075980	ASSY PCB MAIN;CS21S1ZX/AWE,KS1A,NIGERIA	5	C109	2301-000224	C-FILM,PEF;22nF,5%,50V,TP;7.4x3.9x13mm,5	
...3	C901	2305-000412	C-FILM,MPEF;470nF,5%,63V,TP,-5mm	5	C110	2401-000914	C-AL;22uF,20%,16V,GPTP;5x11,5	
...3	CLAMP	AA65-30018A	CLAMP-WIRE;DONG-A,NYLON-66,-,-,DATL-60	S.N.A5	C111	2202-000127	C-CERAMIC,MLC-AXIAL;10nF,+80-20%,25V,Y5V	
...3	CN501	AA39-20620C	LEAD CONNECTOR-ASSY;9P;YBNH250-09,S,500	5	C113	2401-000914	C-AL;22uF,20%,16V,GPTP;5x11,5	
△...3	D806	AA96-00243D	ASSY H/S;-BRIDGE,AA62-00045A,D06U20S,DR	S.N.A5	C114	2201-000611	C-CERAMIC,DISC;0.056nF,5%,50V,NPQ,TP;7x3	
....4		0205-000129	GREASE-SILICON;SC102,JAPAN	S.N.A5	C115	2202-000632	C-CERAMIC,MLC-AXIAL;100nF,20%,50V,Z5U,TP	
....4		0402-001374	DIODE-RECTIFIER;FFP06U20S,200V6A,TO-22	S.N.A5	C117	2202-000127	C-CERAMIC,MLC-AXIAL;10nF,+80-20%,25V,Y5V	
....4		6003-000335	SCREW-TAPTITE;RH,+2S,M3,L8,ZPC(YEL),SWR	S.N.A5	C118	2301-000383	C-FILM,PEF;10nF,5%,50V,TP;6x7x3.2mm,5mm	
....4		AA62-00045A	HEAT SINK-PS;-;T1.0,-,-,DREAM,-,-,-,-	S.N.A5	C119	2401-000027	C-AL;4.7uF,20%,50V,GPTP;5x11,5	
△...3	IC201S	AA09-000222A	IC MICOM;SPM802MAN1-0527,SPM802MAN1-0527	S.N.A5	C120	2401-000027	C-AL;4.7uF,20%,50V,GPTP;5x11,5	
...3	IC301	AA96-00244A	ASSY H/S;-;AA62-00046A,LA7840,-	S.N.A5	C121	2305-000412	C-FILM,MPEF;470nF,5%,63V,TP,-5mm	
....4		0205-000129	GREASE-SILICON;SC102,JAPAN	S.N.A5	C203	2401-001176	C-AL;33uF,20%,25V,GPTP;5x11,5	
....4		1204-001483	IC-VERTICAL PROCESSOR;LA7840,SIF;7P,708MI	5	C204	2305-000665	C-FILM,MPEF;100nF,5%,63V,TP;7.5x4.0x5.0m	
....4		6003-000335	SCREW-TAPTITE;RH,+2S,M3,L8,ZPC(YEL),SWR	S.N.A5	C205	2305-000665	C-FILM,MPEF;100nF,5%,63V,TP;7.5x4.0x5.0m	
....4		AA62-00046A	HEAT SINK-PS;-;T1.0,-,D1(DREAM) 60X25X	S.N.A5	C206	2401-002235	C-AL;10uF,20%,16V,GPTP;5x11mm,5mm	
...3	IC601	AA96-00244G	ASSY H/S;-;AUDIO,AA62-00046A,TDA8944J,BR	S.N.A5	C207	2305-000412	C-FILM,MPEF;470nF,5%,63V,TP,-5mm	
....4		AA62-00046A	HEAT SINK-PS;-;T1.0,-,D1(DREAM) 60X25X	S.N.A5	C208	2305-000665	C-FILM,MPEF;100nF,5%,63V,TP;7.5x4.0x5.0m	
....4		AA61-10162B	BRACKET-IC;-;SBHG-1,T1.0,-,-,100	S.N.A5	C209	2401-001840	C-AL;100uF,20%,16V,GPTP;6.3x11,5	
....4		6003-000335	SCREW-TAPTITE;RH,+2S,M3,L8,ZPC(YEL),SWR	S.N.A5	C210	2305-000665	C-FILM,MPEF;100nF,5%,63V,TP;7.5x4.0x5.0m	
....4		1201-001741	IC-AUDIO AMP;TDA8944J,DBS;17P;937MIL,DUA	S.N.A5	C211	2202-000632	C-CERAMIC,MLC-AXIAL;100nF,20%,50V,Z5U,TP	
....4		0205-000129	GREASE-SILICON;SC102,JAPAN	S.N.A5	C212	2401-000647	C-AL;2.2uF,20%,50V,BPT;5x11,5	
△...3	Q401	0502-001160	TR-POWER;2SD499,NPN,50000mV,TO-3PBK,8-	5	C213	2401-001840	C-AL;100uF,20%,16V,GPTP;6.3x11,5	
△...3	T444S	AA26-00098A	TRANS FBT;FSA38032M,-;3.53mH,-,-,125V,	5	C214	2401-001840	C-AL;100uF,20%,16V,GPTP;6.3x11,5	
...3		AA97-03293A	ASSY ROBOT-MAIN;CS21S1ZX/AWE,KS1A,NIGERI	S.N.A5	C215	2305-000289	C-FILM,MPEF;220nF,5%,63V,TP,-5mm	
....4	C801	2401-003339	C-AL;220uF,20%,400V,GP,ST;30x35,10	5	C216	2305-000289	C-FILM,MPEF;220nF,5%,63V,TP,-5mm	
....4	CR402S	2306-000188	C-FILM,MPPF;330nF,5%,400V,TP;26x19.5x11,	5	C217	2301-000342	C-FILM,PEF;2.2nF,5%,50V,TP;7.4x3.9x13mm,	
....4	CR410S	2303-001015	C-FILM,PPF;5.5nF,5%,1.6kV,TP;29x9.5x17,2	5	C218	2305-000665	C-FILM,MPEF;100nF,5%,63V,TP;7.5x4.0x5.0m	
....4	CX801S	2306-000318	C-FILM,MPPF;220nF,20%,250V,TP,-22.5mm	5	C219	2401-000603	C-AL;1uF,20%,50V,GPTP;5x11,5	
....4	CY801S	2201-000446	C-CERAMIC,DISC;3.3nF,20%,400V,Y5U,TP;15x	5	C220	2401-002235	C-AL;10uF,20%,16V,GPTP;5x11mm,5mm	
....4	FP801S	3601-000281	FUSE-CARTRIDGE;250V,4A,TIME-LAG,GLASS,5.	5	C221	2401-000660	C-AL;2.2uF,20%,50V,GPTP;5x11,5	
....4	IC101	1204-001583	IC-IF CIRCUIT;U4468B,DIP;16P,-,PLASTIC,5	5	C222	2401-000758	C-AL;220nF,20%,50V,GPTP;5x11,5	
....4	IC501	AA96-50311A	ASSY-H/S;-;VIDEO,AA62-30175D,TDA6107Q,-	S.N.A5	C223	2202-000796	C-CERAMIC,MLC-AXIAL;1nF,10%,50V,Y5P,TP;3	
....5		1201-001159	IC-VIDEO AMP;6107,ZSIP;9P,-,SINGLE,-,PLA	5	C224	2202-000796	C-CERAMIC,MLC-AXIAL;1nF,10%,50V,Y5P,TP;3	
....5		6003-000334	SCREW-TAPTITE;RH,+2S,M3,L6,ZPC(YEL),SWR	S.N.A5	C225	2309-000138	C-FILM,PE-PPF;100nF,5%,50V,TP;20x16x8.5,	
....5		AA62-30175D	HEAT-SINK-PS;-;SECC,T1.0,-,33X15X30 FT-2	S.N.A5	C226	2202-000829	C-CERAMIC,MLC-AXIAL;82nF,10%,50V,Y5P,TP	
△...4	IC801S	AA96-00242A	ASSY H/S;-;AA62-30186B,KA500765R,-	S.N.A5	C227	2301-000445	C-FILM,PEF;4.7nF,5%,50V,TP;5.5x7x3mm,5mm	
....5		0205-000129	GREASE-SILICON;SC102,JAPAN	S.N.A5	C229	2401-001840	C-AL;100uF,20%,16V,GPTP;6.3x11,5	
....5		1203-001932	IC-PWM CONTROLLER;500765,TO-220F;5P;185M	5	C230	2305-000665	C-FILM,MPEF;100nF,5%,63V,TP;7.5x4.0x5.0m	
....5		6003-000333	SCREW-TAPTITE;RH,+2S,M3,L10,ZPC(YEL),SW	S.N.A5	C231	2305-000665	C-FILM,MPEF;100nF,5%,63V,TP;7.5x4.0x5.0m	
....5		AA62-30186B	HEAT SINK-ES;-;SILVER,171J + COVER-H	S.N.A5	C233	2305-000289	C-FILM,MPEF;220nF,5%,63V,TP,-5mm	
△...4	IC802	AA96-00245A	ASSY H/S;-;AA62-00055A,KA7632,-	S.N.A5	C234	2301-000342	C-FILM,PEF;2.2nF,5%,50V,TP;7.4x3.9x13mm,	
....5		1203-001939	IC-POS.FIXED REG.;7632,SIP;10P,-,PLASTI	5	C248	2301-000445	C-FILM,PEF;4.7nF,5%,50V,TP;5.5x7x3mm,5mm	
....5		6003-000334	SCREW-TAPTITE;RH,+2S,M3,L6,ZPC(YEL),SWR	S.N.A5	C301	2305-000285	C-FILM,MPEF;100nF,5%,100V,TP;10.5x5.5x15	
....5		AA62-00055A	HEAT SINK-PS;-;T1.0,-,35*15*25,D1,-,-	S.N.A5	C302	2201-000259	C-CERAMIC,DISC;0.18nF,10%,500V,Y5P,TP;5	
....4	IC902	1103-001200	IC-EEPROM;M24C08-WBN6,1024x8BIT,DIP;8P;3	5	C303	2201-000556	C-CERAMIC,DISC;0.47nF,10%,500V,Y5P,TP;5	
....4	JS701	3722-000183	JACK-SCART;21P;4mm,SN,BLK,NO	5	C304	2401-002288	C-AL;470uF,20%,25V,WT,TP;10x20,5	
....4	LD901	AA96-00555A	ASSY LED GUIDE;-;JEX-LD-030,GREEN	S.N.A5	C305	2201-000556	C-CERAMIC,DISC;0.47nF,10%,500V,Y5P,TP;5	
△...4	LR401S	AA27-00053A	COIL-LINEARLITY;-;193uH,DR10X10 C.4.35,7	5	C306	2401-002288	C-AL;470uF,20%,25V,WT,TP;10x20,5	
△...4	LX801S	AA29-30001D	FILTER-LINE NOISE;SQ1913,-,6.0MH,0.8A,-	5	C307	2401-000360	C-AL;100uF,20%,50V,GPTP;8x11,5,5	
△...4	NT802S	1404-001045	THERMISTOR-NTC;4.7ohm,15%,2900K,35.0mW,T	5	C308	2401-000360	C-AL;100uF,20%,50V,GPTP;8x11,5,5	
△...4	P803S	1404-001156	THERMISTOR-PTC;90HM,+30%/-20%,220V RMS,27	5	C309	2301-000254	C-FILM,PEF;39nF,5%,50V,TP;7.5x3.5x6.5mm,	
△...4	PC801S	0604-001032	PHOTO-COUPLER;TR,170-260%,300mW,DIP,4,ST	5	C310	2401-000223	C-AL;100nF,20%,50V,LL,TP;5x11mm,5mm	
△...4	RM901	AA32-00009A	MODULE REMOCON;FRP-3521H3,38KHZ,940NM,ME	5	C312	2305-000149	C-FILM,MPEF;100nF,5%,100V,TP;12x12.5x6.5	
△...4	SF101S	2904-001143	FILTER-SAW AV;38.9MHz,SIP5K,ST,18dB,B/G,	5	C403	2401-000560	C-AL;1uF,20%,160V,GPTP;6.3x11,5	
△...4	SF102S	2904-001224	FILTER-SAW AV;38.9MHz,SIP5K,ST,16.3dB,B/	5	C406	2401-002619	C-AL;47uF,20%,25V,GPTP;5x11,5	
△...4	SW801S	3403-001107	SWITCH-PUSH;250V,5A,DPST,-,KDC-A04	5	C407	2301-000383	C-FILM,PEF;10nF,5%,50V,TP;6x7x3.2mm,5mm	
△...4	T401	AA26-50001B	TRANS-HORIZ.DRIVE;-;7.1mH,-,-,102uH,	5	C408	2201-000599	C-CERAMIC,DISC;0.56nF,10%,500V,Y5P,TP;5	
△...4	T801S	AA26-00043A	TRANS SWITCHING;-;AC90-260V,125/12.5	5	C420	2301-001065	C-FILM,MPPF;47nF,5%,630V,TP;19x15.5x7.7	
△...4	TU01S	AA40-00076A	TUNER;TECC0949PG35A(S),PAL,181CH,38.9MHZ	5	C502	2301-000213	C-FILM,PEF;220nF,5%,250V,TP;21.5x11,7,5	
△...4	V999S	3704-001105	SOCKET-CRT;11P;20P,26.5PI,NL,-	5	C503	2201-000723	C-CERAMIC,DISC;4.7nF,20%,3KV,Y5U,TP;16x5	
....4		AA97-04658A	ASSY AUTO-MAIN;CS21S1ZX/AWE,KS1A,NIGERIA	S.N.A5	C504	2401-001232	C-AL;4.7uF,20%,250V,GPTP;10x12.5,5	
....5	C101	2401-001101	C-AL;330uF,20%,16V,GPTP;8x11,5,5	5	C505	2202-000825	C-CERAMIC,MLC-AXIAL;680pF,10%,50V,Y5P,TP	
....5	C102	2202-000279	C-CERAMIC,MLC-AXIAL;47pF,5%,50V,SL,TP;3.	5	C506	2401-000430	C-AL;10uF,20%,250V,GPTP;10x16mm,5m	
....5	C103	2305-000665	C-FILM,MPEF;100nF,5%,63V,TP;7.5x4.0x5.0m	5	C601	2401-001998	C-AL;1000uF,20%,25V,GPTP;10x20,5mm	
....5	C104	2202-000796	C-CERAMIC,MLC-AXIAL;1nF,10%,50V,Y5P,TP;5	5	C603	2305-000289	C-FILM,MPEF;220nF,5%,63V,TP,-5mm	
....5	C105	2202-000127	C-CERAMIC,MLC-AXIAL;10nF,+80-20%,25V,Y5V	5	C604	2401-000660	C-AL;2.2uF,20%,50V,GPTP;5x11,5	
....5	C106	2202-000127	C-CERAMIC,MLC-AXIAL;10nF,+80-20%,25V,Y5V	5	C605	2401-000660	C-AL;2.2uF,20%,50V,GPTP;5x11,5	
....5	C107	2202-000796	C-CERAMIC,MLC-AXIAL;1nF,10%,50V,Y5P,TP;3	5	C606	2301-000289	C-FILM,PEF;5.6nF,5%,50V,TP;7x6x3,5	
....5				5	C607	2305-000289	C-FILM,MPEF;220nF,5%,63V,TP,-5mm	
....5				5	C610	2301-000289	C-FILM,PEF;5.6nF,5%,50V,TP;7x6x3,5	
....5				5	C611	2305-000289	C-FILM,MPEF;220nF,5%,63V,TP,-5mm	

Level	Loc. No.	Code No.	Description ; Specification	Remark	Level	Loc. No.	Code No.	Description ; Specification	Remark	
....5	C612	2401-000480	C-AL;10uF,20%,50V,GP,TP;5x11,5	5	DZ302	0403-001221	DIODE-ZENER;UZ39BSB,35.36-37.19V,500MW,DO		
....5	C613	2305-000289	C-FILM,MPEF;220nF,5%,63V,TP;7.5x4.0x5.0m	5	DZ303	0403-000700	DIODE-ZENER;TZP33A,33V,31-35V,1W,DO-41,T		
....5	C618	2305-000665	C-FILM,MPEF;100nF,5%,63V,TP;7.5x4.0x5.0m	5	DZ305	0403-001328	DIODE-ZENER;MTZJ22A,20.15-21.20V,500mW,DO		
....5	C619	2305-000665	C-FILM,MPEF;100nF,5%,63V,TP;7.5x4.0x5.0m	5	DZ306	0403-000720	DIODE-ZENER;MTZJ9.1B,9.1V,8.57-9.01V,500		
....5	C702	2202-000210	C-CERAMIC,MLC-AXIAL;270pF,10%,50V,Y5P,TP	5	DZ307	0403-000720	DIODE-ZENER;MTZJ9.1B,9.1V,8.57-9.01V,500		
....5	C703	2202-000121	C-CERAMIC,MLC-AXIAL;100pF,10%,50V,Y5P,TP	5	DZ401	0403-000508	DIODE-ZENER;MTZJ5.6B,5.6V,5.45-5.73V,500		
....5	C704	2202-000121	C-CERAMIC,MLC-AXIAL;100pF,10%,50V,Y5P,TP	5	DZ402	0403-000508	DIODE-ZENER;MTZJ5.6B,5.6V,5.45-5.73V,500		
....5	C706	2401-001989	C-AL;4.7uF,20%,50V,BP,TP;5x11,5	5	DZ501	0403-000720	DIODE-ZENER;MTZJ9.1B,9.1V,8.57-9.01V,500		
....5	C707	2301-000204	C-FILM,PEF;2.7nF,5%,50V,TP;7.4x3.9x13mm,	5	DZ502	0403-000720	DIODE-ZENER;MTZJ9.1B,9.1V,8.57-9.01V,500		
....5	C709	2401-000480	C-AL;10uF,20%,50V,GP,TP;5x11,5	5	DZ503	0403-000720	DIODE-ZENER;MTZJ9.1B,9.1V,8.57-9.01V,500		
....5	C802	2401-001192	C-AL;33uF,20%,50V,GP,TP;6.3x11,5	5	DZ504	0403-000720	DIODE-ZENER;MTZJ9.1B,9.1V,8.57-9.01V,500		
....5	C803	2305-000665	C-FILM,MPEF;100nF,5%,63V,TP;7.5x4.0x5.0m	5	DZ701	0403-000720	DIODE-ZENER;MTZJ9.1B,9.1V,8.57-9.01V,500		
....5	C804	2301-000224	C-FILM,PEF;22nF,5%,50V,TP;7.4x3.9x13mm,5	5	DZ702	0403-000720	DIODE-ZENER;MTZJ9.1B,9.1V,8.57-9.01V,500		
....5	C805	2301-000235	C-FILM,PEF;3.9nF,5%,50V,TP;6.5x3.0x5.5mm	5	DZ703	0403-000720	DIODE-ZENER;MTZJ9.1B,9.1V,8.57-9.01V,500		
....5	C806	2301-001435	C-FILM,PPF;1.5nF,5%,1.2kV,TP;15x8x12.5mm	5	DZ704	0403-000720	DIODE-ZENER;MTZJ9.1B,9.1V,8.57-9.01V,500		
....5	C810	2301-000192	C-FILM,PEF;1nF,5%,50V,TP;5.3x10mm,5mm	5	DZ801	0403-001140	DIODE-ZENER;RD10ESAB-T4,10V,9.19-10.30V,		
....5	C811	2201-000991	C-CERAMIC,DISC;0.56nF,10%,2kV,Y5P,TP;7.5	5	DZ802	0403-001318	DIODE-ZENER;MTZJ4.3B,4.17-4.43V,500mW,DO		
....5	C812	2401-000262	C-AL;100uF,20%,160V,HR,TP;16x25,7,5	5	DZ803	0403-000699	DIODE-ZENER;TZP27B,27V,27-30.8V,1W,DO-41		
....5	C813	2401-000290	C-AL;47uF,20%,160V,GP,TP;13x20,5	5	DZ804	0403-000510	DIODE-ZENER;MTZJ6.2B,6.2V,5.96-6.27V,500		
....5	C814	2201-000991	C-CERAMIC,DISC;0.56nF,10%,2kV,Y5P,TP;7.5	5	DZ805	0403-001327	DIODE-ZENER;MTZJ18A,16.22-17.06V,500mW,DO		
....5	C816	2201-000375	C-CERAMIC,DISC;0.22nF,5%,50V,RH,TP;12.5x	5	DZ806	0403-001317	DIODE-ZENER;MTZJ3.0B,3.01-3.22V,500mW,DO		
....5	C817	2401-000302	C-AL;100uF,20%,25V,GP,TP;6.3x11,5	5	DZ807	0403-000508	DIODE-ZENER;MTZJ5.6B,5.6V,5.45-5.73V,500		
....5	C818	2401-000328	C-AL;100uF,20%,25V,WT,TP;6.3x11,5	5	DZ808	0403-000720	DIODE-ZENER;MTZJ9.1B,9.1V,8.57-9.01V,500		
....5	C819	2305-000665	C-FILM,MPEF;100nF,5%,63V,TP;7.5x4.0x5.0m	5	DZ810	0403-000508	DIODE-ZENER;MTZJ5.6B,5.6V,5.45-5.73V,500		
....5	C820	2401-000480	C-AL;10uF,20%,50V,GP,TP;5x11,5	5	DZ901	0403-001319	DIODE-ZENER;MTZJ4.7C,4.68-4.93V,500mW,DO		
....5	C821	2401-000328	C-AL;100uF,20%,25V,WT,TP;6.3x11,5	5	DZ903	0403-000508	DIODE-ZENER;MTZJ5.6B,5.6V,5.45-5.73V,500		
....5	C822	2401-000711	C-AL;2200uF,20%,25V,GP,TP;16x25,7,5	5	DZ904	0403-000508	DIODE-ZENER;MTZJ5.6B,5.6V,5.45-5.73V,500		
....5	C823	2401-000302	C-AL;100uF,20%,25V,GP,TP;6.3x11,5	5	DZ905	0403-000508	DIODE-ZENER;MTZJ5.6B,5.6V,5.45-5.73V,500		
....5	C827	2401-000927	C-AL;22uF,20%,250V,GP,TP;13x20,5	5	DZ906	0403-001319	DIODE-ZENER;MTZJ4.7C,4.68-4.93V,500mW,DO		
....5	C903	2401-001840	C-AL;100uF,20%,16V,GP,TP;6.3x11,5	5	DZ907	0403-001319	DIODE-ZENER;MTZJ4.7C,4.68-4.93V,500mW,DO		
....5	C904	2301-000383	C-FILM,PEF;10nF,5%,50V,TP;6x7x3.2mm,5mm	5	DZ908	0403-001319	DIODE-ZENER;MTZJ4.7C,4.68-4.93V,500mW,DO		
....5	C906	2202-000796	C-CERAMIC,MLC-AXIAL;1nF,10%,50V,Y5P,TP;3	5	EL301	AA60-40011B	EYELET;ID2.2,0D3.2,-,BSP-	S.N.A	
....5	C908	2201-000573	C-CERAMIC,DISC;0.047nF,5%,50V,NP0,TP;5x3	5	EL302	AA60-40011B	EYELET;ID2.2,0D3.2,-,BSP-	S.N.A	
....5	C909	2201-000573	C-CERAMIC,DISC;0.047nF,5%,50V,NP0,TP;5x3	5	EL403	AA60-40011B	EYELET;ID2.2,0D3.2,-,BSP-	S.N.A	
....5	C910	2401-001840	C-AL;100uF,20%,16V,GP,TP;6.3x11,5	5	EL404	AA60-40011B	EYELET;ID2.2,0D3.2,-,BSP-	S.N.A	
....5	C911	2202-000632	C-CERAMIC,MLC-AXIAL;100nF,20%,50V,Z5U,TP	5	EL407	AA60-40011B	EYELET;ID2.2,0D3.2,-,BSP-	S.N.A	
....5	C912	2202-000121	C-CERAMIC,MLC-AXIAL;100pF,10%,50V,Y5P,TP	5	EL408	AA60-40011B	EYELET;ID2.2,0D3.2,-,BSP-	S.N.A	
....5	C913	2305-000665	C-FILM,MPEF;100nF,5%,63V,TP;7.5x4.0x5.0m	5	EL501	AA60-40011B	EYELET;ID2.2,0D3.2,-,BSP-	S.N.A	
....5	C915	2401-000302	C-AL;100uF,20%,25V,GP,TP;6.3x11,5	5	EL502	AA60-40011B	EYELET;ID2.2,0D3.2,-,BSP-	S.N.A	
....5	CN602	3711-002643	CONNECTOR-HEADER;BOX,4P,1R,2.5mm,STRAIGH	5	EL601	AA60-40011B	EYELET;ID2.2,0D3.2,-,BSP-	S.N.A	
....5	CN703	3711-002646	CONNECTOR-HEADER;BOX,7P,1R,2.5mm,STRAIGH	5	EL602	AA60-40011B	EYELET;ID2.2,0D3.2,-,BSP-	S.N.A	
△5	CF404S	2201-000639	C-CERAMIC,DISC;0.68nF,10%,2kV,Y5P,TP;9x5	5	EL801	AA60-40011B	EYELET;ID2.2,0D3.2,-,BSP-	S.N.A
△5	CF405S	2305-000382	C-FILM,MPEF;4.7nF,5%,400V,TP;-5mm	5	EL802	AA60-40011B	EYELET;ID2.2,0D3.2,-,BSP-	S.N.A
△5	CF409S	2201-002028	C-CERAMIC,DISC;0.47nF,10%,2kV,Y5P,TP;7.5	5	EL804	AA60-40011B	EYELET;ID2.2,0D3.2,-,BSP-	S.N.A
....5	D101	0401-000005	DIODE-SWITCHING;1N4148,100V,200mA,DO-35,	5	EY101	AA60-40011A	EYELET;ID2.0,0D2.8,-,BST-	S.N.A	
....5	D103	0401-000005	DIODE-SWITCHING;1N4148,100V,200mA,DO-35,	5	EY401	AA60-40011A	EYELET;ID2.0,0D2.8,-,BST-	S.N.A	
....5	D201	0401-000005	DIODE-SWITCHING;1N4148,100V,200mA,DO-35,	5	EY402	AA60-40011A	EYELET;ID2.0,0D2.8,-,BST-	S.N.A	
....5	D301	0402-001105	DIODE-RECTIFIER;ERB43-04SV1,400V,1.0A,-,	5	EY403	AA60-40011A	EYELET;ID2.0,0D2.8,-,BST-	S.N.A	
....5	D302	0402-001352	DIODE-RECTIFIER;GUF15G-20A,400V,1.5A,DO-	5	EY404	AA60-40011A	EYELET;ID2.0,0D2.8,-,BST-	S.N.A	
....5	D303	0402-000132	DIODE-RECTIFIER;1N4004,400V,1A,DO-41,TP	5	EY405	AA60-40011A	EYELET;ID2.0,0D2.8,-,BST-	S.N.A	
....5	D304	0402-001105	DIODE-RECTIFIER;ERB43-04SV1,400V,1.0A,-,	5	EY406	AA60-40011A	EYELET;ID2.0,0D2.8,-,BST-	S.N.A	
....5	D305	0401-000005	DIODE-SWITCHING;1N4148,100V,200mA,DO-35,	5	EY407	AA60-40011A	EYELET;ID2.0,0D2.8,-,BST-	S.N.A	
△5	D401	0402-001105	DIODE-RECTIFIER;ERB43-04SV1,400V,1.0A,-,	5	EY408	AA60-40011A	EYELET;ID2.0,0D2.8,-,BST-	S.N.A
....5	D501	0402-000254	DIODE-RECTIFIER;RGP10J,600V,1A,DO-41,TP	5	EY409	AA60-40011A	EYELET;ID2.0,0D2.8,-,BST-	S.N.A	
....5	D502	0402-001105	DIODE-RECTIFIER;ERB43-04SV1,400V,1.0A,-,	5	EY410	AA60-40011A	EYELET;ID2.0,0D2.8,-,BST-	S.N.A	
....5	D503	0402-001105	DIODE-RECTIFIER;ERB43-04SV1,400V,1.0A,-,	5	EY411	AA60-40011A	EYELET;ID2.0,0D2.8,-,BST-	S.N.A	
....5	D504	0402-001105	DIODE-RECTIFIER;ERB43-04SV1,400V,1.0A,-,	5	EY412	AA60-40011A	EYELET;ID2.0,0D2.8,-,BST-	S.N.A	
△5	D801S	0402-001111	DIODE-RECTIFIER;1N5397GP600V,1.5A,DO-20	5	EY414	AA60-40011A	EYELET;ID2.0,0D2.8,-,BST-	S.N.A
△5	D802	0402-001111	DIODE-RECTIFIER;1N5397GP600V,1.5A,DO-20	5	EY415	AA60-40011A	EYELET;ID2.0,0D2.8,-,BST-	S.N.A
△5	D802S	0402-001111	DIODE-RECTIFIER;1N5397GP600V,1.5A,DO-20	5	EY416	AA60-40011A	EYELET;ID2.0,0D2.8,-,BST-	S.N.A
△5	D803	0402-000254	DIODE-RECTIFIER;RGP10J,600V,1A,DO-41,TP	5	EY417	AA60-40011A	EYELET;ID2.0,0D2.8,-,BST-	S.N.A
△5	D803S	0402-001111	DIODE-RECTIFIER;1N5397GP600V,1.5A,DO-20	5	EY419	AA60-40011A	EYELET;ID2.0,0D2.8,-,BST-	S.N.A
△5	D804	0401-000005	DIODE-SWITCHING;1N4148,100V,200mA,DO-35,	5	EY420	AA60-40011A	EYELET;ID2.0,0D2.8,-,BST-	S.N.A
△5	D804S	0402-001111	DIODE-RECTIFIER;1N5397GP600V,1.5A,DO-20	5	EY421	AA60-40011A	EYELET;ID2.0,0D2.8,-,BST-	S.N.A
△5	D805	0402-000540	DIODE-RECTIFIER;RU20A,600V,1.5A,-,TP	5	EY422	AA60-40011A	EYELET;ID2.0,0D2.8,-,BST-	S.N.A
△5	D808	0401-000005	DIODE-SWITCHING;1N4148,100V,200mA,DO-35,	5	EY423	AA60-40011A	EYELET;ID2.0,0D2.8,-,BST-	S.N.A
△5	D809	0402-000132	DIODE-RECTIFIER;1N4004,400V,1A,DO-41,TP	5	EY501	AA60-40011A	EYELET;ID2.0,0D2.8,-,BST-	S.N.A
△5	D811	0401-000005	DIODE-SWITCHING;1N4148,100V,200mA,DO-35,	5	EY801	AA60-40011A	EYELET;ID2.0,0D2.8,-,BST-	S.N.A
△5	D812	0402-001105	DIODE-RECTIFIER;ERB43-04SV1,400V,1.0A,-,	5	EY802	AA60-40011A	EYELET;ID2.0,0D2.8,-,BST-	S.N.A
△5	D901	0401-000005	DIODE-SWITCHING;1N4148,100V,200mA,DO-35,	5	EY803	AA60-40011A	EYELET;ID2.0,0D2.8,-,BST-	S.N.A
....5	DZ101	0403-000700	DIODE-ZENER;TZP33A,33V,31-35V,1W,DO-41,T	5	EY807	AA60-40011A	EYELET;ID2.0,0D2.8,-,BST-	S.N.A	
....5	DZ201	0403-000720	DIODE-ZENER;MTZJ9.1B,9.1V,8.57-9.01V,500	5	EY808	AA60-40011A	EYELET;ID2.0,0D2.8,-,BST-	S.N.A	
....5	DZ203	0403-001322	DIODE-ZENER;MTZJ8.2B,7.78-8.19V,500mW,DO	5	EY809	AA60-40011A	EYELET;ID2.0,0D2.8,-,BST-	S.N.A	
....5	DZ204	0403-000720	DIODE-ZENER;MTZJ9.1B,9.1V,8.57-9.01V,500	5	EY810	AA60-40011A	EYELET;ID2.0,0D2.8,-,BST-	S.N.A	
....5	DZ205	0403-000720	DIODE-ZENER;MTZJ9.1B,9.1V,8.57-9.01V,500	5	EY813	AA60-40011A	EYELET;ID2.0,0D2.8,-,BST-	S.N.A	
....5	DZ207	0403-000720	DIODE-ZENER;MTZJ9.1B,9.1V,8.57-9.01V,500	5	EY818	AA60-40011A	EYELET;ID2.0,0D2.8,-,BST-	S.N.A	
....5	DZ301	0403-001328	DIODE-ZENER;MTZJ22A,20.15-21.20V,500mW,DO	5	EY819	AA60-40011A	EYELET;ID2.0,0D2.8,-,BST-	S.N.A	

Electrical Parts List

Level	Loc. No.	Code No.	Description ; Specification	Remark	Level	Loc. No.	Code No.	Description ; Specification	Remark
....5	EY821	AA60-40011A	EYELET;ID2.0,OD2.8,-,-,BST,-	S.N.A5	Q701	0501-000389	TR-SMALL SIGNAL;KSC815,NPN,400mW,TO-92,T	
....5	EY822	AA60-40011A	EYELET;ID2.0,OD2.8,-,-,BST,-	S.N.A5	Q802	0501-000389	TR-SMALL SIGNAL;KSC815,NPN,400mW,TO-92,T	
....5	EY823	AA60-40011A	EYELET;ID2.0,OD2.8,-,-,BST,-	S.N.A5	Q901	0501-000283	TR-SMALL SIGNAL;KSA539,PNP,400mW,TO-92,T	
....5	EY824	AA60-40011A	EYELET;ID2.0,OD2.8,-,-,BST,-	S.N.A5	Q902	0504-000123	TR-DIGITAL;KSR1010,NPN,300mW,10K,TO-92,T	
....5	EY825	AA60-40011A	EYELET;ID2.0,OD2.8,-,-,BST,-	S.N.A5	Q903	0501-000389	TR-SMALL SIGNAL;KSC815,NPN,400mW,TO-92,T	
....5	EY827	AA60-40011A	EYELET;ID2.0,OD2.8,-,-,BST,-	S.N.A5	Q905	0501-000389	TR-SMALL SIGNAL;KSC815,NPN,400mW,TO-92,T	
....5	EY828	AA60-40011A	EYELET;ID2.0,OD2.8,-,-,BST,-	S.N.A5	R103	2001-000008	R-CARBON;15KOHM,5%,1/8W,AA,TP1.8X3.2MM	
....5	EY829	AA60-40011A	EYELET;ID2.0,OD2.8,-,-,BST,-	S.N.A5	R104	2001-000429	R-CARBON;1KOHM,5%,1/8W,AA,TP1.8X3.2MM	
....5	EY830	AA60-40011A	EYELET;ID2.0,OD2.8,-,-,BST,-	S.N.A5	R105	2001-000577	R-CARBON;2KOHM,5%,1/8W,AA,TP1.8X3.2MM	
....5	EY833	AA60-40011A	EYELET;ID2.0,OD2.8,-,-,BST,-	S.N.A5	R106	2001-000290	R-CARBON;10KOHM,5%,1/8W,AA,TP1.8X3.2MM	
....5	EY850	AA60-40011A	EYELET;ID2.0,OD2.8,-,-,BST,-	S.N.A5	R108	2001-000947	R-CARBON;7.5KOHM,5%,1/8W,AA,TP1.8X3.2MM	
....5	EY851	AA60-40011A	EYELET;ID2.0,OD2.8,-,-,BST,-	S.N.A5	R109	2001-000786	R-CARBON;47KOHM,5%,1/8W,AA,TP1.8X3.2MM	
....5	EY852	AA60-40011A	EYELET;ID2.0,OD2.8,-,-,BST,-	S.N.A5	R110	2001-000924	R-CARBON;680OHM,5%,1/8W,AA,TP1.8X3.2MM	
....5	EY853	AA60-40011A	EYELET;ID2.0,OD2.8,-,-,BST,-	S.N.A5	R111	2001-000008	R-CARBON;15KOHM,5%,1/8W,AA,TP1.8X3.2MM	
....5	EY860	AA60-40011A	EYELET;ID2.0,OD2.8,-,-,BST,-	S.N.A5	R112	2001-000577	R-CARBON;2KOHM,5%,1/8W,AA,TP1.8X3.2MM	
....5	EY861	AA60-40011A	EYELET;ID2.0,OD2.8,-,-,BST,-	S.N.A5	R113	2001-000429	R-CARBON;1KOHM,5%,1/8W,AA,TP1.8X3.2MM	
....5	F801A	3602-000114	FUSE-HOLDER;-,30mohm	5	R114	2001-000290	R-CARBON;10KOHM,5%,1/8W,AA,TP1.8X3.2MM	
....5	F801B	3602-000114	FUSE-HOLDER;-,30mohm	5	R117	2001-000924	R-CARBON;680OHM,5%,1/8W,AA,TP1.8X3.2MM	
△	FD801S	3601-001163	FUSE-AXIAL LEAD;125V,7A,-,EPOXY,2.4X7.1MM	S.N.A5	R202	2001-000689	R-CARBON;390KOHM,5%,1/8W,AA,TP1.8X3.2MM	
....5	GT101	AA60-40014A	PIN-GT,ASSY;1P,-,-,AUTO	S.N.A5	R203	2001-000857	R-CARBON;560OHM,5%,1/8W,AA,TP1.8X3.2MM	
....5	GT301	AA60-40014A	PIN-GT,ASSY;1P,-,-,AUTO	S.N.A5	R204	2001-000857	R-CARBON;560OHM,5%,1/8W,AA,TP1.8X3.2MM	
....5	GT302	AA60-40014A	PIN-GT,ASSY;1P,-,-,AUTO	S.N.A5	R205	2001-000011	R-CARBON;75KOHM,5%,1/8W,AA,TP1.8X3.2MM	
....5	GT401	AA60-40014A	PIN-GT,ASSY;1P,-,-,AUTO	S.N.A5	R206	2001-000563	R-CARBON;27KOHM,5%,1/8W,AA,TP1.8X3.2MM	
....5	GT402	AA60-40014A	PIN-GT,ASSY;1P,-,-,AUTO	S.N.A5	R207	2001-000005	R-CARBON;390ohm,5%,1/8W,AA,TP1.8X3.2mm	
....5	GT501	AA60-40014A	PIN-GT,ASSY;1P,-,-,AUTO	S.N.A5	R208	2001-000591	R-CARBON;3.3KOHM,5%,1/8W,AA,TP1.8X3.2MM	
....5	GT502	AA60-40014A	PIN-GT,ASSY;1P,-,-,AUTO	S.N.A5	R209	2001-000793	R-CARBON;470HM,5%,1/8W,AA,TP1.8X3.2MM	
....5	GT801	AA60-40014A	PIN-GT,ASSY;1P,-,-,AUTO	S.N.A5	R210	2001-000857	R-CARBON;560OHM,5%,1/8W,AA,TP1.8X3.2MM	
....5	GT802	AA60-40014A	PIN-GT,ASSY;1P,-,-,AUTO	S.N.A5	R211	2001-000281	R-CARBON;100OHM,5%,1/8W,AA,TP1.8X3.2MM	
....5	GT803	AA60-40014A	PIN-GT,ASSY;1P,-,-,AUTO	S.N.A5	R212	2001-000405	R-CARBON;180OHM,5%,1/8W,AA,TP1.8X3.2MM	
....5	GT804	AA60-40014A	PIN-GT,ASSY;1P,-,-,AUTO	S.N.A5	R213	2001-000938	R-CARBON;680HM,5%,1/8W,AA,TP1.8X3.2MM	
....5	GT805	AA60-40014A	PIN-GT,ASSY;1P,-,-,AUTO	S.N.A5	R214	2001-000325	R-CARBON;120OHM,5%,1/8W,AA,TP1.8X3.2MM	
....5	GT806	AA60-40014A	PIN-GT,ASSY;1P,-,-,AUTO	S.N.A5	R215	2001-000281	R-CARBON;100OHM,5%,1/8W,AA,TP1.8X3.2MM	
....5	GT807	AA60-40014A	PIN-GT,ASSY;1P,-,-,AUTO	S.N.A5	R218	2001-000008	R-CARBON;15KOHM,5%,1/8W,AA,TP1.8X3.2MM	
....5	HIC01	AA13-20004WV	IC-HYBRID,-,PAP103T,SIP,6PPRE-AMP,TP	5	R219	2004-001914	R-METAL;39Kohm,2%,1/8W,AA,TP1.8x3.5mm	
△	IC803	1203-001217	IC-POS.LADJUST REG.,431,TO-92,3P,4.58MILL	5	R220	2001-000472	R-CARBON;2.7KOHM,5%,1/8W,AA,TP1.8X3.2MM	
....5	J125	2001-000016	R-CARBON(S);10HM,5%,1/2W,AA,TP2.4X6.4MM	5	R222	2001-000947	R-CARBON;7.5KOHM,5%,1/8W,AA,TP1.8X3.2MM	
....5	J137	2001-000281	R-CARBON;100OHM,5%,1/8W,AA,TP1.8X3.2MM	5	R223	2001-000281	R-CARBON;100OHM,5%,1/8W,AA,TP1.8X3.2MM	
....5	J142	2701-000115	INDUCTOR-AXIAL;10uH,10%,3x7mm	5	R224	2001-000290	R-CARBON;10KOHM,5%,1/8W,AA,TP1.8X3.2MM	
....5	J910	3301-000287	CORE-FERRITE BEAD;AA,3.5x1.0x6.0mm,1500,	5	R225	2001-000281	R-CARBON;100OHM,5%,1/8W,AA,TP1.8X3.2MM	
....5	L101	2701-000326	INDUCTOR-AXIAL;560nH,10%,2.3x3.4mm	5	R227	2001-000739	R-CARBON;4.7MOHM,5%,1/8W,AA,TP1.8X3.2MM	
....5	L102	2701-000159	INDUCTOR-AXIAL;22uH,10%,4.2x9.8mm	5	R228	2001-000739	R-CARBON;4.7MOHM,5%,1/8W,AA,TP1.8X3.2MM	
....5	L103	2701-000114	INDUCTOR-AXIAL;10uH,10%,2.5x3.4mm	5	R230	2001-000221	R-CARBON;1.2KOHM,5%,1/8W,AA,TP1.8X3.2MM	
....5	L104	2701-000168	INDUCTOR-AXIAL;3.3uH,5%,2.5x3.4mm	5	R301	2001-000016	R-CARBON(S);10HM,5%,1/2W,AA,TP2.4X6.4MM	
....5	L201	2701-000159	INDUCTOR-AXIAL;22uH,10%,4.2x9.8mm	5	R302	2004-004366	R-METAL(S);1.3Kohm,2%,1/2W,AA,TP2.5x6.5	
....5	L202	2701-000114	INDUCTOR-AXIAL;10uH,10%,2.5x3.4mm	5	R303	2003-002070	R-METAL OXIDE;1ohm,5%,2W,AF,TP3.9x10mm	
....5	L203	2701-000127	INDUCTOR-AXIAL;15uH,10%,2.5x3.4mm	5	R304	2008-000253	R-FUSIBLE(S);0.47ohm,5%,1W,AF,TP3.9x10mm	
....5	L204	2701-000184	INDUCTOR-AXIAL;4.7uH,10%,2.5x3.4mm	5	R305	2008-000253	R-FUSIBLE(S);0.47ohm,5%,1W,AF,TP3.9x10mm	
....5	L205	2701-000159	INDUCTOR-AXIAL;22uH,10%,4.2x9.8mm	5	R306	2004-004366	R-METAL(S);1.3Kohm,1%,1/2W,AA,TP2.5x6.5	
....5	L301	2701-000142	INDUCTOR-AXIAL;1uH,10%,2.5x3.4mm	5	R307	2001-000290	R-CARBON;10KOHM,5%,1/8W,AA,TP1.8X3.2MM	
....5	L302	2701-000142	INDUCTOR-AXIAL;1uH,10%,2.5x3.4mm	5	R308	2001-001093	R-CARBON(S);2.2KOHM,5%,1/2W,AA,TP2.4X6.4	
△	L403	2901-000297	FILTER-EMI ON BOARD,-,3A,-,-,3.5x5,TP,-	5	R313	2001-000258	R-CARBON;1.8KOHM,5%,1/8W,AA,TP1.8X3.2MM	
....5	L404	2701-000142	INDUCTOR-AXIAL;1uH,10%,2.5x3.4mm	5	R314	2003-000537	R-METAL OXIDE(S);1Kohm,5%,1W,AF,TP3.3x9	
....5	L405	2701-000159	INDUCTOR-AXIAL;22uH,10%,4.2x9.8mm	5	R315	2003-002009	R-METAL OXIDE(S);390ohm,5%,2W,AF,TP3.9x	
....5	L702	2701-000184	INDUCTOR-AXIAL;4.7uH,10%,2.5x3.4mm	5	R316	2003-002009	R-METAL OXIDE(S);390ohm,5%,2W,AF,TP3.9x	
....5	L703	2701-000184	INDUCTOR-AXIAL;4.7uH,10%,2.5x3.4mm	5	R402	2003-002178	R-METAL OXIDE(S);1Kohm,5%,2W,AG,TP3.9x1	
....5	L704	2701-000184	INDUCTOR-AXIAL;4.7uH,10%,2.5x3.4mm	5	R403	2003-000784	R-METAL OXIDE(S);7.5Kohm,5%,2W,AF,TP4x1	
....5	L706	2701-000184	INDUCTOR-AXIAL;4.7uH,10%,2.5x3.4mm	5	R405	2001-001116	R-CARBON(S);270OHM,5%,1/2W,AA,TP2.4X6.4M	
....5	L802	3301-000287	CORE-FERRITE BEAD;AA,3.5x1.0x6.0mm,1500,	5	R407	2003-002209	R-METAL OXIDE(S);47Kohm,5%,2W,AG,TP3.9X	
....5	L803	3301-000287	CORE-FERRITE BEAD;AA,3.5x1.0x6.0mm,1500,	5	R408	2001-001037	R-CARBON(S);0.39OHM,5%,1/2W,AA,TP2.4X6.4	
....5	L804	2701-001030	INDUCTOR-AXIAL;43uH,10%,5x14mm	5	R409	2001-000022	R-CARBON(S);330HM,5%,1/2W,AA,TP2.4X6.4M	
....5	L806	2901-000297	FILTER-EMI ON BOARD,-,3A,-,-,3.5x5,TP,-	5	R411	2001-001114	R-CARBON(S);270OHM,5%,1/2W,AA,TP2.4X6.4	
....5	L807	2701-001030	INDUCTOR-AXIAL;43uH,10%,5x14mm	5	R413	2003-002130	R-METAL OXIDE(S);15ohm,5%,2W,AF,TP3.9x1	
....5	L808	2901-000297	FILTER-EMI ON BOARD,-,3A,-,-,3.5x5,TP,-	5	R414	2001-001078	R-CARBON(S);15KOHM,5%,1/2W,AA,TP2.4X6.4	
....5	L902	2701-000114	INDUCTOR-AXIAL;10uH,10%,2.5x3.4mm	5	R420	2008-001110	R-FUSIBLE(S);68ohm,5%,2W,AG,TP3.9X12mm	
....5	L903	2701-000158	INDUCTOR-AXIAL;22uH,10%,2.5x3.4mm	5	R421	2008-001114	R-FUSIBLE(S);1.5ohm,5%,2W,AG,TP3.9x12mm	
....5	L904	2701-000114	INDUCTOR-AXIAL;10uH,10%,2.5x3.4mm	5	R423	2004-001373	R-METAL(S);100Kohm,1%,1/2W,AA,TP2.4x6.4	
....5	PCB	AA41-00131H	PCB-MAIN;CS21D8,FR-1,1L,H,1.6T,245X245,K	S.N.A5	R424	2004-001402	R-METAL(S);6.8Kohm,1%,1/2W,AA,TP2.4x6.4	
....5	Q101	0501-000389	TR-SMALL SIGNAL;KSC815,NPN,400mW,TO-92,T	5	R501	2001-000281	R-CARBON;100OHM,5%,1/8W,AA,TP1.8X3.2MM	
....5	Q102	0501-000389	TR-SMALL SIGNAL;KSC815,NPN,400mW,TO-92,T	5	R501H	2002-001008	R-COMPOSITION;1.8Kohm,10%,1/2W,AA,TP3.7	
....5	Q201	0501-000283	TR-SMALL SIGNAL;KSA539,PNP,400mW,TO-92,T	5	R502	2001-000281	R-CARBON;100OHM,5%,1/8W,AA,TP1.8X3.2MM	
....5	Q202	0501-000389	TR-SMALL SIGNAL;KSC815,NPN,400mW,TO-92,T	5	R502H	2002-001008	R-COMPOSITION;1.8Kohm,10%,1/2W,AA,TP3.7	
....5	Q203	0501-000283	TR-SMALL SIGNAL;KSA539,PNP,400mW,TO-92,T	5	R503	2002-001008	R-COMPOSITION;1.8Kohm,10%,1/2W,AA,TP3.7	
....5	Q204	0501-000389	TR-SMALL SIGNAL;KSC815,NPN,400mW,TO-92,T	5	R504	2001-001062	R-CARBON(S);10MOHM,5%,1/2W,AA,TP2.4X6.4	
....5	Q205	0501-000389	TR-SMALL SIGNAL;KSC815,NPN,400mW,TO-92,T	5	R505	2008-001011	R-FUSIBLE(S);0.18ohm,10%,2W,AF,TP3.9x10	
....5	Q301	0501-000283	TR-SMALL SIGNAL;KSA539,PNP,400mW,TO-92,T	5	R506	2001-000281	R-CARBON;100OHM,5%,1/8W,AA,TP1.8X3.2MM	
....5	Q402	0501-000369	TR-SMALL SIGNAL;KSC2331-Y,NPN,1000mW,TO-	5	R510	2001-000281	R-CARBON;100OHM,5%,1/8W,AA,TP1.8X3.2MM	

Level	Loc. No.	Code No.	Description ; Specification	Remark	Level	Loc. No.	Code No.	Description ; Specification	Remark	
....5	R511	2001-000281	R-CARBON;1000HM,5%,1/8W,AA,TP,1.8X3.2MM	5	R933	2001-000281	R-CARBON;1000HM,5%,1/8W,AA,TP,1.8X3.2MM		
....5	R512	2001-000281	R-CARBON;1000HM,5%,1/8W,AA,TP,1.8X3.2MM	5	R934	2001-000281	R-CARBON;1000HM,5%,1/8W,AA,TP,1.8X3.2MM		
....5	R601	2001-000878	R-CARBON;6.2KOHM,5%,1/8W,AA,TP,1.8X3.2MM	5	R937	2001-000290	R-CARBON;10KOHM,5%,1/8W,AA,TP,1.8X3.2MM		
....5	R602	2001-000591	R-CARBON;3.3KOHM,5%,1/8W,AA,TP,1.8X3.2MM	5	RW701	2011-001133	R-NETWORK;33K/24K/75x3.5%,1/8W,X,SIP6P,		
....5	R605	2001-000591	R-CARBON;3.3KOHM,5%,1/8W,AA,TP,1.8X3.2MM		△5	RX801S	2002-001011	R-COMPOSITION;3.3Mohm,5%,1/2W,AA,TP,3.7x	
....5	R607	2001-000878	R-CARBON;6.2KOHM,5%,1/8W,AA,TP,1.8X3.2MM		△5	RY801S	2002-001012	R-COMPOSITION;8.2Mohm,5%,1/2W,AA,TP,3.7x	
....5	R618	2001-000019	R-CARBON(S);100HM,5%,1/2W,AA,TP,2.4X6.4M	5	SW901	3404-000244	SWITCH-TACT;15V,20mA,90-170gf,7.5x7mm,SP		
....5	R619	2001-000019	R-CARBON(S);100HM,5%,1/2W,AA,TP,2.4X6.4M	5	SW902	3404-000244	SWITCH-TACT;15V,20mA,90-170gf,7.5x7mm,SP		
....5	R701	2001-000969	R-CARBON;750HM,5%,1/8W,AA,TP,1.8X3.2MM	5	SW903	3404-000244	SWITCH-TACT;15V,20mA,90-170gf,7.5x7mm,SP		
....5	R702	2001-000969	R-CARBON;750HM,5%,1/8W,AA,TP,1.8X3.2MM	5	SW904	3404-000244	SWITCH-TACT;15V,20mA,90-170gf,7.5x7mm,SP		
....5	R708	2001-000281	R-CARBON;1000HM,5%,1/8W,AA,TP,1.8X3.2MM	5	SW905	3404-000244	SWITCH-TACT;15V,20mA,90-170gf,7.5x7mm,SP		
....5	R713	2001-000857	R-CARBON;5600HM,5%,1/8W,AA,TP,1.8X3.2MM	5	T101	AA26-00025A	TRANS-IF;7MG,-,-,10pF,-,58.35MHz,7.7x7		
....5	R715	2001-000857	R-CARBON;5600HM,5%,1/8W,AA,TP,1.8X3.2MM		△5	VX801S	1405-000187	VARISTOR;750V,1250A,12.5x7mm,TP	
....5	R717	2001-000429	R-CARBON;1KOHM,5%,1/8W,AA,TP,1.8X3.2MM	5	X901	2801-003937	CRYSTAL-UNIT;12MHz,25ppm,28-AAAM,30pF,30o		
....5	R718	2001-000281	R-CARBON;1000HM,5%,1/8W,AA,TP,1.8X3.2MM	5	Z201	2903-000129	FILTER-CERAMIC;BR,4.5MHz,-,-,TP,-		
....5	R719	2001-000969	R-CARBON;750HM,5%,1/8W,AA,TP,1.8X3.2MM	5	Z202	2903-001240	FILTER-CERAMIC;TR,5.5MHz,-,28dB,-,TP,-		
....5	R720	2001-000969	R-CARBON;750HM,5%,1/8W,AA,TP,1.8X3.2MM	5	Z203	2903-001246	FILTER-CERAMIC;TR,5.5MHz,-,-,TP,multi.		
....5	R721	2001-000734	R-CARBON;4.7KOHM,5%,1/8W,AA,TP,1.8X3.2MM	3	AA65-30111A	CLAMP-WIRE;ALL MODEL,NYLON,V0,-,WHT,1T 1	S.N.A		
....5	R801	2003-002171	R-METAL OXIDE(S);150ohm,5%,2W,AG,TP,3.9x	3	AA65-30018A	CLAMP-WIRE;DONG-A,NYLON-66,-,-,DATL-60	S.N.A		
....5	R803	2003-000994	R-METAL OXIDE(S);33Kohm,5%,2W,AF,TP,3.9x	3	0202-000187	SOLDER-WIRE FLUX;-RS60S,D1.2,63Sn/37Pb	S.N.A		
....5	R804	2003-000994	R-METAL OXIDE(S);33Kohm,5%,2W,AF,TP,3.9x	3	AA39-20010D	LEAD CONNECTOR-ASSY;1,PHYH800-01,S,400,			
....5	R805	2001-001170	R-CARBON(S);6.8OHM,5%,1/2W,AA,TP,2.4X6.4	3	AA65-30009A	CLAMP-FBT;-ABS,V0,-,BLK,-	S.N.A		
....5	R808	2001-000109	R-CARBON(S);470OHM,5%,1/2W,AA,TP,2.4X6.4	2	AA95-01782G	ASSY SUB-PCB,A/V FRONT;20S1,KS1AAA95-000	S.N.A		
....5	R809	2001-001150	R-CARBON(S);470KOHM,5%,1/2W,AA,TP,2.4X6.4	3	CN702	AA39-20070A	LEAD CONNECTOR-ASSY;7,YBNH025-07,67096		
....5	R810	2001-001150	R-CARBON(S);470KOHM,5%,1/2W,AA,TP,2.4X6.4	3	JA702	3722-000506	JACK-PIN;2P;3.6mm,-,AG		
....5	R814	2003-002228	R-METAL OXIDE(S);0.47ohm,5%,2W,AG,TP,3.9x	3	AA97-07120A	ASSY AUTO-A/V FRONT;20S1,KS1A,AA95-01047	S.N.A		
....5	R815	2003-002228	R-METAL OXIDE(S);0.47ohm,5%,2W,AG,TP,3.9x	4	CE06	2202-000121	C-CERAMIC,MLC-AXIAL;100pF,10%,50V,5P7P		
....5	R817	2004-004089	R-METAL(S);123Kohm,1%,1/2W,AA,TP,2.5x6.5	4	PCB	AA41-10903B	PCB-A/V FRONT;S15A,1L,FR,1,245x245x1.6T,	S.N.A	
....5	R818	2004-001399	R-METAL(S);5.1Kohm,1%,1/2W,AA,TP,2.4x6.4	4	RED4	2701-000114	INDUCTOR-AXIAL;10uH,10%,2.5x3.4mm		
....5	R819	2004-001390	R-METAL(S);1Kohm,2%,1/2W,AA,TP,2.4x6.4mm	3	0202-000187	SOLDER-WIRE FLUX;-RS60S,D1.2,63Sn/37Pb	S.N.A		
....5	R821	2001-001125	R-CARBON(S);300KOHM,5%,1/2W,AA,TP,2.4X6.4	2	AA96-20109B	ASSY-POWER,CORD;-CP2/NO(4,0),H/C250,KKP	S.N.A		
....5	R822	2004-001983	R-METAL(S);2.49Kohm,1%,1/2W,AA,TP,2.4x6.4	3	3811-000401	WIRE-PVC CU;BCWA,300V,ROLL,17/0.16mm,#22	S.N.A		
....5	R823	2001-000037	R-CARBON(S);330OHM,5%,1/2W,AA,TP,2.4X6.4	3	AA39-10006X	POWER-CORD;-KKP419C,KLCE-2F,2.286MT,3P,			
....5	R824	2008-000294	R-FUSIBLE(S);33ohm,5%,2W,AF,TP,3.9x10mm	3	AA61-20284A	HOLDER;P-CORD,PP,-,-,BLK,V0,KE-002	S.N.A		
....5	R825	2008-000266	R-FUSIBLE(S);1ohm,5%,2W,AF,TP,3.9x10mm							
....5	R827	2003-000998	R-METAL OXIDE;300ohm,5%,2W,AF,TP,3.9x10m							
....5	R828	2001-000290	R-CARBON;10KOHM,5%,1/8W,AA,TP,1.8X3.2MM							
....5	R829	2001-000563	R-CARBON;27KOHM,5%,1/8W,AA,TP,1.8X3.2MM							
....5	R830	2001-000734	R-CARBON;4.7KOHM,5%,1/8W,AA,TP,1.8X3.2MM							
....5	R831	2001-001192	R-CARBON(S);820OHM,5%,1/2W,AA,TP,2.4X6.4		1	*	AA90-02086K	ASSY COVER REAR;CS2S12X/AWE	S.N.A	
....5	R832	2001-001088	R-CARBON(S);1KOHM,5%,1/2W,AA,TP,2.4X6.4M	2		AA64-31327P	CABINET BACK;53S1,HIPS,-,-,HB,BLK,M-AS		
....5	R834	2003-001040	R-METAL OXIDE(S);47Kohm,5%,2W,AF,TP,3.9x	2		AA65-30008A	CLAMP-CORD;-PE,HB,-,BLK,-	S.N.A	
....5	R840	2001-001078	R-CARBON(S);15KOHM,5%,1/2W,AA,TP,2.4X6.4							
....5	R841	2001-000734	R-CARBON;4.7KOHM,5%,1/8W,AA,TP,1.8X3.2MM							
....5	R843	2001-000019	R-CARBON(S);100HM,5%,1/2W,AA,TP,2.4X6.4M							
....5	R850	2001-001170	R-CARBON(S);6.8OHM,5%,1/2W,AA,TP,2.4X6.4							
....5	R901	2001-000472	R-CARBON;2.7KOHM,5%,1/8W,AA,TP,1.8X3.2MM		1	*	AA90-01923K	ASSY COVER FRONT;CS2S12X/AWE	S.N.A	
....5	R902	2001-000241	R-CARBON;1.5KOHM,5%,1/8W,AA,TP,1.8X3.2MM	2	CB+CF	6003-001026	SCREW-TAPTITE,RH,+B,M4,L15,ZPC(BLK),SWR	S.N.A	
....5	R903	2001-000472	R-CARBON;2.7KOHM,5%,1/8W,AA,TP,1.8X3.2MM	2	CRT+CF	AA60-10050R	SCREW-ASSY;-SWRCH18A,M5,L31.5,HH,+WC,-	S.N.A	
....5	R904	2001-000241	R-CARBON;1.5KOHM,5%,1/8W,AA,TP,1.8X3.2MM	2	PA+CF	6006-001095	SCREW-ASSY TAPT;WPBH,+M4,L12,ZPC(YEL)	S.N.A	
....5	R905	2001-000005	R-CARBON;390ohm,5%,1/8W,AA,TP,1.8x3.2mm	2		AA65-30107A	CLAMP-D,COIL;20-22 INCH,NYLON 66,V2,-,NT	S.N.A	
....5	R906	2001-000005	R-CARBON;390ohm,5%,1/8W,AA,TP,1.8x3.2mm	2		AA91-00118T	ASSY CABINET FRONT;21S1 KS1A,(SPK)BK708		
....5	R907	2001-000472	R-CARBON;2.7KOHM,5%,1/8W,AA,TP,1.8X3.2MM	3	KC+CF	6003-001026	SCREW-TAPTITE,RH,+B,M4,L15,ZPC(BLK),SWR	S.N.A	
....5	R908	2001-000472	R-CARBON;2.7KOHM,5%,1/8W,AA,TP,1.8X3.2MM	3	KNOPOW	AA61-60003J	SPRING-CS;-SUS304,-,-,OD6,N7,OD6,-,-,-	S.N.A	
....5	R909	2001-000281	R-CARBON;1000HM,5%,1/8W,AA,TP,1.8X3.2MM	3	SPK+CF	6003-001026	SCREW-TAPTITE,RH,+B,M4,L15,ZPC(BLK),SWR	S.N.A	
....5	R910	2001-000290	R-CARBON;10KOHM,5%,1/8W,AA,TP,1.8X3.2MM	3		AA64-40513B	WINDOW-REMOCON;-50S1,-,PC,V0,VIOLET,-	S.N.A	
....5	R911	2001-000281	R-CARBON;1000HM,5%,1/8W,AA,TP,1.8X3.2MM	3		AA64-40514A	INDICATOR-LED;CT50S1,ACRYL,-,CLR,-,-,-		
....5	R912	2001-000281	R-CARBON;1000HM,5%,1/8W,AA,TP,1.8X3.2MM	3		AA64-40515T	DECORATION-FRONT;21S1,HIPS,-,-,HB,BLK,		
....5	R913	2001-000281	R-CARBON;1000HM,5%,1/8W,AA,TP,1.8X3.2MM	3		AA64-70123D	BADGE-BRAND;-AL,-,L=50,SAMSUNG,GOLD,R	S.N.A	
....5	R914	2001-000281	R-CARBON;1000HM,5%,1/8W,AA,TP,1.8X3.2MM	3		AA96-00163B	ASSY SPEAKER;-8ohm,6W,3001-001034,350/7	S.N.A	
....5	R915	2001-000924	R-CARBON;680OHM,5%,1/8W,AA,TP,1.8X3.2MM	4		3001-001034	SPEAKER;6W,8ohm,90dB,140HZ		
....5	R916	2001-000449	R-CARBON;2.2KOHM,5%,1/8W,AA,TP,1.8X3.2MM	4		AA39-20505M	LEAD CONNECTOR-ASSY;4PYSH025-04,REC,35		
....5	R917	2001-000449	R-CARBON;2.2KOHM,5%,1/8W,AA,TP,1.8X3.2MM	3		AA65-30105A	CLAMP-WIRE;ALL MODEL,NYLON,66,V2,-,NTR,1	S.N.A	
....5	R918	2001-000429	R-CARBON;1KOHM,5%,1/8W,AA,TP,1.8X3.2MM	3		AA61-40113A	STOPPER-PCB;501H,HIPS,-,-,HB,NTR,-	S.N.A	
....5	R919	2001-000290	R-CARBON;10KOHM,5%,1/8W,AA,TP,1.8X3.2MM	3		AA63-50356A	GRILLE-WOOFER;53S1,SECC,T0.5,-,-,BLK,-	S.N.A	
....5	R920	2001-000290	R-CARBON;10KOHM,5%,1/8W,AA,TP,1.8X3.2MM	3		AA64-10789A	KNOB-CONTROL;50S1,ABS,-,-,HB,M/BROWN,-		
....5	R921	2001-000290	R-CARBON;10KOHM,5%,1/8W,AA,TP,1.8X3.2MM	3		AA64-10790C	KNOB-POWER;33.50S1,ABS,-,-,HB,M/BROWN,-		
....5	R922	2001-000290	R-CARBON;10KOHM,5%,1/8W,AA,TP,1.8X3.2MM	3		AA64-31326P	CABINET-FRONT;53S1,HIPS,HB,BLK,BK708P,KS	S.N.A	
....5	R923	2001-000273	R-CARBON;100KOHM,5%,1/8W,AA,TP,1.8X3.2MM							
....5	R924	2001-000290	R-CARBON;10KOHM,5%,1/8W,AA,TP,1.8X3.2MM							
....5	R925	2001-000734	R-CARBON;4.7KOHM,5%,1/8W,AA,TP,1.8X3.2MM							
....5	R926	2001-000429	R-CARBON;1KOHM,5%,1/8W,AA,TP,1.8X3.2MM							
....5	R927	2001-000793	R-CARBON;470HM,5%,1/8W,AA,TP,1.8X3.2MM							
....5	R928	2001-000290	R-CARBON;10KOHM,5%,1/8W,AA,TP,1.8X3.2MM		1	*	AA91-02947A	ASSY CPT;CS2S12X/AWE	S.N.A	
....5	R929	2001-000563	R-CARBON;27KOHM,5%,1/8W,AA,TP,1.8X3.2MM	2		AA91-02169Y	ASSY CPT;A51KQJ63X(H),21,0MG,BARE	S.N.A	
....5	R931	2001-000429	R-CARBON;1KOHM,5%,1/8W,AA,TP,1.8X3.2MM	3		AA63-60028A	SPACER-DY;-NEOPRENE,-,-,BLK,-,-,V0 W1	S.N.A	
....5	R932	2001-000325	R-CARBON;120OHM,5%,1/8W,AA,TP,1.8X3.2MM							

ASSY COVER REAR

ASSY COVER FRONT

ASSY CPT

Level	Loc. No.	Code No.	Description ; Specification	Remark
...	...	AA27-50005K	DEFLECTION-YOKE,-,CDY-S2192M,ST-3,A51KQJ	
△	...	AA27-00002A	MAGNET-CONVERGENCE,-,JH291-SC-OB,29.1MM	
...	...	AA03-10027E	CRT-COLOR;A51KQJ63X(H),0mG,2.28mH,22.7mH	
...	...	AA98-70014C	ASSY-TBC,WIRE(P);-,21',NTSC,1PTVI	S.N.A
...	...	AA27-00144A	COIL DEGAUSSING,-,48T,90HM,21INCH,110/220	

Level	Loc. No.	Code No.	Description ; Specification	Remark	
ASSY ACCESSORY					
...	1	*	AA92-03226T	ASSY ACCESSORY;CS21S1ZX/AWE	S.N.A
...	...	AA68-01795A	MANUAL USERS,-,FRE,-,W/P100G,ALL1,B5,KS1A,	S.N.A	
...	...	AA68-01602B	MANUAL USERS,-,ENG,W/P100G,ALL1,B5,KS1A,3	S.N.A	
...	...	AA59-00104D	REMOCON;-,-,TM59,SIM806E,24,L/GRAY,-,PAL-M		
...	...	AA26-90001C	TRANS-MATCHING;-,-,300ohm/75ohm,PAL,40-890		

7-3 CS21S1SX/XSG

Level	Loc. No.	Code No.	Description ; Specification	Remark
ASSY CHASSIS				
1	*	AA91-03963A	ASSY CHASSIS;CS21S1SX/XSG,U.A.E,KS1A	
...	...	AA94-07598G	ASSY PCB MAIN;CS21S1SX/TAW,KS1A,LEBANON	S.N.A
...	C901	2305-000412	C-FILM,MPEF;470nF,5%,63V,TP;-,-,5mm	
...	CLAMP	AA65-30018A	CLAMP-WIRE;DONG-A,NYLON-66,-,-,DATL-60	S.N.A
...	CN501	AA39-20620C	LEAD CONNECTOR-ASSY;9PYBNH250-09,S,500	
△	D806	AA96-00243D	ASSY H/S;-,-,BRIDGE,AA62-00045A,D06U20S,DR	S.N.A
...	...	0205-000129	GREASE-SILICON;SC102,JAPAN	S.N.A
...	...	0402-001374	DIODE-RECTIFIER;FFP06U20S,200V,6A,TO-22	
...	...	6003-000335	SCREW-TAPTITE,RH,+2S,M3,L8,ZPC(YEL),SWR	S.N.A
...	...	AA62-00045A	HEAT SINK-PS;-,-,T1.0,-,-,DREAM,-,-,-,-,-	S.N.A
△	IC201S	AA09-00222A	IC MICOM;SPM802MAN1-0527,SPM802MAN1-0527	
...	IC301	AA96-00244A	ASSY H/S;-,-,AA62-00046A,LA7840,-	S.N.A
...	...	0205-000129	GREASE-SILICON;SC102,JAPAN	S.N.A
...	...	1204-001483	IC-VERTICAL PROCESSO;LA7840,SIP7P;708MI	
...	...	6003-000335	SCREW-TAPTITE,RH,+2S,M3,L8,ZPC(YEL),SWR	S.N.A
...	...	AA62-00046A	HEAT SINK-PS;-,-,T1.0,-,-,D1(DREAM) 60X25X	S.N.A
...	IC601	AA96-00244G	ASSY H/S;-,-,AUDIO,AA62-00046A,TDA8944J,BR	S.N.A
...	...	AA62-00046A	HEAT SINK-PS;-,-,T1.0,-,-,D1(DREAM) 60X25X	S.N.A
...	...	AA61-10162B	BRACKET-IC;-,-,SBHG-1,T1.0,-,-,-,100	S.N.A
...	...	6003-000335	SCREW-TAPTITE,RH,+2S,M3,L8,ZPC(YEL),SWR	S.N.A
...	...	1201-001741	IC-AUDIO AMP;TDA8944J,DBS,17P;937MIL,DUA	
...	...	0205-000129	GREASE-SILICON;SC102,JAPAN	S.N.A
...	JS701	3722-001138	JACK-PIN;6P3,4mm,SN,BLK,#16-22	
...	Q401	0502-001160	TR-POWER;2SD2499,NPN,50000mV,TO-3PBK,8-	
△	T444S	AA26-00098A	TRANS FBT;FSA38032M,-,-,3.53mH,-,-,-,125V,	S.N.A
...	...	AA95-01763A	ASSY SUB-PCB LINE STEREO;20S4,C5,15A9,K8	
...	CN702	AA39-00095A	LEAD CONNECTOR-ASSY;3(2)PYBNH250-03,35	
...	CN705	3711-002708	CONNECTOR-HEADER;NOWALL,10P,1R,2.5mm,ANG	
...	CN706	3711-002706	CONNECTOR-HEADER;NOWALL,8P,1R,2.5mm,ANGL	
...	CN707	AA39-00276A	LEAD CONNECTOR ASSY;UL1185#26,UL/CSA,6P	
...	ICS01	1204-001639	IC-SOUND PROCESSOR;BSP3505D-B3,DIP;52P;	
...	XS01	2801-003903	CRYSTAL-UNIT;18.432MHz,25ppm,28-AAAM,12pF	
...	...	AA97-05525A	ASSY AUTO-SUB;20S4,C5,15A9,K8,S1,KS1A,LI	S.N.A
...	CS01	2201-000180	C-CERAMIC,DISC;10nF,10%,50V,Y5V,TP;7x3,5	
...	CS03	2401-002594	C-AL;220uF,20%,16V,GP;TP8x11,5,5	
...	CS06	2401-001026	C-AL;3.3UF,20%,50V,GP;TP5X11,5	
...	CS07	2201-000982	C-CERAMIC,DISC;10nF,+80-20%,50V,Y5V,TP4	
...	CS09	2301-000111	C-FILM,PEF;1.8nF,5%,50V,TP6,5x3,0x5.5mm	
...	CS11	2401-000486	C-AL;10uF,20%,50V,GP;TP6,3x7mm,5	
...	CS12	2401-000486	C-AL;10uF,20%,50V,GP;TP6,3x7mm,5	
...	CS13	2401-000486	C-AL;10uF,20%,50V,GP;TP6,3x7mm,5	
...	CS14	2401-000486	C-AL;10uF,20%,50V,GP;TP6,3x7mm,5	
...	CS15	2301-000383	C-FILM,PEF;10nF,5%,50V,TP6x7x3.2mm,5mm	
...	CS16	2401-002144	C-AL;47uF,20%,16V,GP;TP5x11,5	
...	CS17	2305-000665	C-FILM,MPEF;100nF,5%,63V,TP7,5x4,0x5.0m	
...	CS18	2401-001026	C-AL;3.3UF,20%,50V,GP;TP5X11,5	
...	CS19	2401-000027	C-AL;4.7uF,20%,50V,GP;TP5x11,5	
...	CS20	2201-000472	C-CERAMIC,DISC;0.33nF,5%,50V,SL,TP8,5x3	
...	CS21	2401-000027	C-AL;4.7uF,20%,50V,GP;TP5x11,5	
...	CS22	2201-000472	C-CERAMIC,DISC;0.33nF,5%,50V,SL,TP8,5x3	
...	CS23	2305-000665	C-FILM,MPEF;100nF,5%,63V,TP7,5x4,0x5.0m	
...	CS24	2401-000480	C-AL;10uF,20%,50V,GP;TP5x11,5	

Level	Loc. No.	Code No.	Description ; Specification	Remark	
...	...	CS25	2401-002144	C-AL;47uF,20%,16V,GP;TP5x11,5	
...	...	CS26	2201-000112	C-CERAMIC,DISC;1.5nF,10%,50V,Y5V,TP5x3,	
...	...	CS27	2202-000121	C-CERAMIC,MLC-AXIAL;100pF,10%,50V,Y5F,TP	
...	...	CS28	2202-000286	C-CERAMIC,MLC-AXIAL;56pF,5%,50V,SL,TP,1,	
...	...	CS29	2201-000304	C-CERAMIC,DISC;0.001nF,0.25pF,50V,NP0,TP	
...	...	CS30	2201-000304	C-CERAMIC,DISC;0.001nF,0.25pF,50V,NP0,TP	
...	...	CS35	2301-000111	C-FILM,PEF;1.8nF,5%,50V,TP6,5x3,0x5.5mm	
...	...	ICS02	1203-000515	IC-VOL. DETECTOR;7042,TO-92,3P;177MIL,PL	
...	...	LS01	2701-000184	INDUCTOR-AXIAL;4.7uH,10%,2.5x3.4mm	
...	...	LS03	2701-000114	INDUCTOR-AXIAL;10uH,10%,2.5x3.4mm	
...	...	LS04	2701-000184	INDUCTOR-AXIAL;4.7uH,10%,2.5x3.4mm	
...	...	PCB	AA41-00139A	PCB-STEREO/LINE-ST/MTS-M;DREAM-1,1L,FR-1	S.N.A
...	...	RS01	2001-000429	R-CARBON;1KOHM,5%,1/8W,AA,TP,1.8X3.2MM	
...	...	RS02	2001-000281	R-CARBON;100OHM,5%,1/8W,AA,TP,1.8X3.2MM	
...	...	RS03	2001-000281	R-CARBON;100OHM,5%,1/8W,AA,TP,1.8X3.2MM	
...	...	RS04	2001-000290	R-CARBON;1KOHM,5%,1/8W,AA,TP,1.8X3.2MM	
...	...	RS06	2001-000281	R-CARBON;100OHM,5%,1/8W,AA,TP,1.8X3.2MM	
...	...	RS07	2001-000281	R-CARBON;100OHM,5%,1/8W,AA,TP,1.8X3.2MM	
...	...	RS08	2001-000780	R-CARBON;470OHM,5%,1/8W,AA,TP,1.8X3.2MM	
...	...	RS09	2001-000780	R-CARBON;470OHM,5%,1/8W,AA,TP,1.8X3.2MM	
...	...	RS14	2001-000515	R-CARBON;220OHM,5%,1/8W,AA,TP,1.8X3.2MM	
...	...	RS15	2001-000429	R-CARBON;1KOHM,5%,1/8W,AA,TP,1.8X3.2MM	
...	0202-000187	SOLDER-WIRE FLUX;-,-,RSG05,D1.2,63Sn/37Pb	S.N.A
...	AA65-30018A	CLAMP-WIRE;DONG-A,NYLON-66,-,-,DATL-60	S.N.A
...	AA65-30111A	CLAMP-WIRE;ALL MODEL,NYLON,VO,-,WHT,1T 1	S.N.A
...	AA97-03487A	ASSY ROBOT-MAIN;CS21S1SX/TAW,KS1A,LEBANO	S.N.A
...	...	C801	2401-003339	C-AL;220uF,20%,400V,GP;ST,30x35,10	
...	...	CN701	3711-000628	CONNECTOR-HEADER;-,-,1P,1R,2.5mm,STRAIGHT	
△	...	CR402S	2306-000188	C-FILM,MPPF;330nF,5%,400V,TP;26x19.5x11,	
△	...	CR410S	2303-001015	C-FILM,PPF;5.5nF,5%,1.6kV,TP;29x9.5x17,2	
△	...	CX801S	2306-000318	C-FILM,MPPF;220nF,20%,250V,TP,-,-,2.5mm	
△	...	CY801S	2201-000446	C-CERAMIC,DISC;3.3nF,20%,400V,Y5U,TP15x	
△	...	FP801S	3601-000281	FUSE-CARTRIDGE;250V,4A,TIME-LAG,GLASS,5,	
...	...	IC101	1204-001583	IC-IF CIRCUIT;U4468B,DIP;16P,-,PLASTIC,5	
...	...	IC501	AA96-50311A	ASSY H/S;-,-,VIDEO,AA62-30175D,TDA6107Q,-	S.N.A
...	1201-001159	IC-VIDEO AMP;6107,ZSIP9P,-,SINGLE,-,PLA	
...	6003-000334	SCREW-TAPTITE,RH,+2S,M3,L6,ZPC(YEL),SWR	S.N.A
...	AA62-30175D	HEAT-SINK,PS;-,-,SECC,T1.0,-,-,33X15X30 FT-2	S.N.A
△	IC801S	AA96-00242A	ASSY H/S;-,-,AA62-30186B,KA50Q765R,-	S.N.A	
...	0205-000129	GREASE-SILICON;SC102,JAPAN	S.N.A
...	1203-001932	IC-PWM CONTROLLER;500765,TO-220F;5P;185M	
...	6003-000333	SCREW-TAPTITE,RH,+2S,M3,L10,ZPC(YEL),SW	S.N.A
...	AA62-30186B	HEAT SINK-ES;-,-,SILVER,171J + COVER-H	S.N.A
△	IC802	AA96-00245A	ASSY H/S;-,-,AA62-00055A,KA7632,-	S.N.A	
...	1203-001939	IC-POS.FIXED REG.;7632,SIP;10P,-,PLASTI	
...	6003-000334	SCREW-TAPTITE,RH,+2S,M3,L6,ZPC(YEL),SWR	S.N.A
...	AA62-00055A	HEAT SINK-PS;-,-,T1.0,-,-,35*15*25,D1,-,-	S.N.A
...	...	IC902	1103-001200	IC-EEPROM;M24C08-WBN6,1024x8Bit,DIP;8P;3	
...	...	LD901	AA96-00555A	ASSY LED GUIDE;-,-,UEJ-LD-030,GREEN	S.N.A
△	LR401S	AA27-00053A	COIL-LINEARLITY;-,-,193uH,DR10X10 C:4.35,7		
△	LX801S	AA29-30001D	FILTER-LINE NOISE;SQ1913,-,6.0MH,0.8A,-		
△	NT802S	1404-001045	THERMISTOR-NTC;4.7ohm,15%,2900K,35.0mW,T		
△	P803S	1404-001156	THERMISTOR-PTC;90HM,+30%/-20%,220V,RMS,27		
△	PC801S	0604-001032	PHOTO-COUPLER;TR,170-260%,300mV,DIP,4,ST		
...	RM901	AA32-00009A	MODULE REMOCON;FRP-3521H,38KHz,940NM,ME		

Level	Loc. No.	Code No.	Description ; Specification	Remark	Level	Loc. No.	Code No.	Description ; Specification	Remark	
△	...4	SF101S	2904-001143	FILTER-SAW AV;38.9MHz,SIP5K,ST,18dB,B/G,	...	C610	2301-000289	C-FILM,PEF;5.6nf;5%,50V,TP;7x6x3,5		
△	...4	SF102S	2904-001224	FILTER-SAW AV;38.9MHz,SIP5K,ST,16.3dB,B/B	...	C611	2305-000289	C-FILM,MPEF;220nf;5%,63V,TP;5mm		
△	...4	SW801S	3403-001107	SWITCH-PUSH;250V,5A,DPST,-,KDC-A04	...	C612	2401-000480	C-AL;10uf;20%,50V,GP,TP;5x11,5		
△	...4	T401	AA26-50001B	TRANS-HORIZ.DRIVE;---,7.1mH;---,102uH,	...	C613	2305-000289	C-FILM,MPEF;220nf;5%,63V,TP;5mm		
△	...4	T801S	AA26-00043A	TRANS SWITCHING;---,AC90-260V,125/12.5	...	C618	2305-000665	C-FILM,MPEF;100nf;5%,63V,TP;7.5x4.0x5.0m		
△	...4	TU01S	AA40-00070A	TUNER;TEDE9-203A,PAL,181CH,38.9MHz,75OHM	...	C619	2305-000665	C-FILM,MPEF;100nf;5%,63V,TP;7.5x4.0x5.0m		
△	...4	V999S	3704-001105	SOCKET-CRT;11P20P1,26.5PI,NL,-	...	C701	2202-000121	C-CERAMIC,MLC-AXIAL;100pf;10%,50V,Y5P,TP		
...	AA97-04865A	ASSY AUTO-MAIN;CS21S1SX/TAW,KS1A,LEBANON	S.N.A	C702	2202-000210	C-CERAMIC,MLC-AXIAL;270pf;10%,50V,Y5P,TP		
...	...	C101	2401-001101	C-AL;330uf;20%,16V,GP,TP;8x11.5,5		C703	2202-000121	C-CERAMIC,MLC-AXIAL;100pf;10%,50V,Y5P,TP		
...	...	C102	2202-000279	C-CERAMIC,MLC-AXIAL;47pf;5%,50V,SL,TP;3,		C704	2202-000121	C-CERAMIC,MLC-AXIAL;100pf;10%,50V,Y5P,TP		
...	...	C103	2305-000665	C-FILM,MPEF;100nf;5%,63V,TP;7.5x4.0x5.0m		C707	2301-000445	C-FILM,PEF;4.7nf;5%,50V,TP;5.5x7x3mm,5mm		
...	...	C104	2202-000796	C-CERAMIC,MLC-AXIAL;1NF;10%,50V,Y5P,TP;3		C802	2401-001192	C-AL;33uf;20%,50V,GP,TP;6.3x11.5		
...	...	C105	2202-000127	C-CERAMIC,MLC-AXIAL;10nf;+80-20%,25V,Y5V		C803	2305-000665	C-FILM,MPEF;100nf;5%,63V,TP;7.5x4.0x5.0m		
...	...	C106	2202-000127	C-CERAMIC,MLC-AXIAL;10nf;+80-20%,25V,Y5V		C804	2301-000224	C-FILM,PEF;22nf;5%,50V,TP;7.4x3.9x13mm,5		
...	...	C107	2202-000796	C-CERAMIC,MLC-AXIAL;1NF;10%,50V,Y5P,TP;3		C805	2301-000235	C-FILM,PEF;3.9nf;5%,50V,TP;6.5x3.0x5.5mm		
...	...	C108	2202-000127	C-CERAMIC,MLC-AXIAL;10nf;+80-20%,25V,Y5V		C806	2301-001435	C-FILM,PEF;1.5nf;5%,1.2kV,TP;15x8x12.5mm		
...	...	C109	2301-000224	C-FILM,PEF;22nf;5%,50V,TP;7.4x3.9x13mm,5		C810	2301-000192	C-FILM,PEF;1nf;5%,50V,TP;5.3x10mm,5mm		
...	...	C110	2401-000914	C-AL;22uf;20%,16V,GP,TP;5x11.5		C811	2201-000991	C-CERAMIC,DISC;0.56nf;10%,2kV,Y5P,TP;7,5		
...	...	C111	2202-000127	C-CERAMIC,MLC-AXIAL;10nf;+80-20%,25V,Y5V		C812	2401-000262	C-AL;100uf;20%,160V,VHR,TP;16x25,7,5		
...	...	C113	2401-000914	C-AL;22uf;20%,16V,GP,TP;5x11.5		C813	2401-002290	C-AL;47uf;20%,160V,GP,TP;13x20,5		
...	...	C115	2202-000632	C-CERAMIC,MLC-AXIAL;100nf;20%,50V,Z5U,TP		C814	2201-000991	C-CERAMIC,DISC;0.56nf;10%,2kV,Y5P,TP;7,5		
...	...	C117	2202-000127	C-CERAMIC,MLC-AXIAL;10nf;+80-20%,25V,Y5V		C816	2201-000375	C-CERAMIC,DISC;0.22nf;5%,50V,RH,TP;12,5x		
...	...	C118	2301-000383	C-FILM,PEF;10nf;5%,50V,TP;6x7x3.2mm,5mm		C817	2401-000302	C-AL;100uf;20%,25V,GP,TP;6.3x11.5		
...	...	C119	2401-000027	C-AL;4.7uf;20%,50V,GP,TP;5x11,5		C818	2401-003028	C-AL;100uf;20%,25V,WT,TP;6.3x11,5		
...	...	C120	2401-000027	C-AL;4.7uf;20%,50V,GP,TP;5x11,5		C819	2305-000665	C-FILM,MPEF;100nf;5%,63V,TP;7.5x4.0x5.0m		
...	...	C121	2305-000412	C-FILM,MPEF;470nf;5%,63V,TP;5mm		C820	2401-000480	C-AL;10uf;20%,50V,GP,TP;5x11,5		
...	...	C203	2401-001176	C-AL;33uf;20%,25V,GP,TP;5x11,5		C821	2401-003028	C-AL;100uf;20%,25V,WT,TP;6.3x11,5		
...	...	C207	2305-000412	C-FILM,MPEF;470nf;5%,63V,TP;5mm		C822	2401-000711	C-AL;220uf;20%,25V,GP,TP;16x25,7,5		
...	...	C208	2305-000665	C-FILM,MPEF;100nf;5%,63V,TP;7.5x4.0x5.0m		C823	2401-000302	C-AL;100uf;20%,25V,GP,TP;6.3x11,5		
...	...	C209	2401-001840	C-AL;100uf;20%,16V,GP,TP;6.3x11,5		C825	2401-003028	C-AL;100uf;20%,25V,WT,TP;6.3x11,5		
...	...	C210	2305-000665	C-FILM,MPEF;100nf;5%,63V,TP;7.5x4.0x5.0m		C826	2202-000632	C-CERAMIC,MLC-AXIAL;100nf;20%,50V,Z5U,TP		
...	...	C211	2202-000632	C-CERAMIC,MLC-AXIAL;100nf;20%,50V,Z5U,TP		C827	2401-000927	C-AL;22uf;20%,250V,GP,TP;13x20,5		
...	...	C213	2401-001840	C-AL;100uf;20%,16V,GP,TP;6.3x11,5		C903	2401-001840	C-AL;100uf;20%,16V,GP,TP;6.3x11,5		
...	...	C214	2401-001840	C-AL;100uf;20%,16V,GP,TP;6.3x11,5		C904	2301-000383	C-FILM,PEF;10nf;5%,50V,TP;6x7x3.2mm,5mm		
...	...	C215	2305-000289	C-FILM,MPEF;220nf;5%,63V,TP;5mm		C906	2202-000796	C-CERAMIC,MLC-AXIAL;1NF;10%,50V,Y5P,TP;3		
...	...	C216	2305-000289	C-FILM,MPEF;220nf;5%,63V,TP;5mm		C908	2201-000573	C-CERAMIC,DISC;0.047nf;5%,50V,NP,TP;5x3		
...	...	C217	2301-000342	C-FILM,PEF;2.2nf;5%,50V,TP;7.4x3.9x13mm,		C909	2201-000573	C-CERAMIC,DISC;0.047nf;5%,50V,NP,TP;5x3		
...	...	C218	2305-000665	C-FILM,MPEF;100nf;5%,63V,TP;7.5x4.0x5.0m		C910	2401-001840	C-AL;100uf;20%,16V,GP,TP;6.3x11,5		
...	...	C219	2401-000603	C-AL;1uf;20%,50V,GP,TP;5x11,5		C911	2202-000632	C-CERAMIC,MLC-AXIAL;100nf;20%,50V,Z5U,TP		
...	...	C220	2401-002235	C-AL;10uf;20%,16V,GP,TP;5x11,5		C912	2202-000121	C-CERAMIC,MLC-AXIAL;100pf;10%,50V,Y5P,TP		
...	...	C221	2401-000660	C-AL;2.2uf;20%,50V,GP,TP;5x11,5		C913	2305-000665	C-FILM,MPEF;100nf;5%,63V,TP;7.5x4.0x5.0m		
...	...	C222	2401-000758	C-AL;220nf;20%,50V,GP,TP;5x11,5		C915	2401-000302	C-AL;100uf;20%,25V,GP,TP;6.3x11,5		
...	...	C223	2202-000796	C-CERAMIC,MLC-AXIAL;1NF;10%,50V,Y5P,TP;3		CN602	3711-002643	CONNECTOR-HEADER;BOX,4P;1R,2.5mm,STRAIGH		
...	...	C224	2202-000796	C-CERAMIC,MLC-AXIAL;1NF;10%,50V,Y5P,TP;3		CN707A	3711-002645	CONNECTOR-HEADER;BOX,6P;1R,2.5mm,STRAIGH		
...	...	C225	2309-000138	C-FILM,PE-PPF;100nf;5%,50V,TP;20x16x8,5,		△	CR404S	2201-000639	C-CERAMIC,DISC;0.68nf;10%,2kV,Y5P,TP;9x5	
...	...	C229	2401-001840	C-AL;100uf;20%,16V,GP,TP;6.3x11,5		△	CR405S	2305-000382	C-FILM,MPEF;4.7nf;5%,400V,TP;5mm	
...	...	C230	2305-000665	C-FILM,MPEF;100nf;5%,63V,TP;7.5x4.0x5.0m		△	CR409S	2201-002028	C-CERAMIC,DISC;0.47nf;10%,2kV,Y5P,TP;7,5	
...	...	C233	2305-000289	C-FILM,MPEF;220nf;5%,63V,TP;5mm		D101	0401-000005	DIODE-SWITCHING;1N4148,100V,200mA,DO-35,		
...	...	C234	2301-000342	C-FILM,PEF;2.2nf;5%,50V,TP;7.4x3.9x13mm,		D103	0401-000005	DIODE-SWITCHING;1N4148,100V,200mA,DO-35,		
...	...	C248	2301-000445	C-FILM,PEF;4.7nf;5%,50V,TP;5.5x7x3mm,5mm		D201	0401-000005	DIODE-SWITCHING;1N4148,100V,200mA,DO-35,		
...	...	C301	2305-000285	C-FILM,MPEF;220nf;5%,100V,TP;10.5X5.5X15		D301	0402-001105	DIODE-RECTIFIER;ERB43-04Sv1,400V,1.0A,-,		
...	...	C302	2201-000259	C-CERAMIC,DISC;0.18nf;10%,500V,Y5P,TP;5,		D302	0402-001352	DIODE-RECTIFIER;GU15G-20A,400V,1.5A,DO-		
...	...	C303	2201-000556	C-CERAMIC,DISC;0.47nf;10%,500V,Y5P,TP;5,		D303	0402-000132	DIODE-RECTIFIER;1N4004,400V,1A,DO-41,TP		
...	...	C304	2401-002288	C-AL;470uf;20%,25V,WT,TP;10x20,5		D304	0402-001105	DIODE-RECTIFIER;ERB43-04Sv1,400V,1.0A,-,		
...	...	C305	2201-000556	C-CERAMIC,DISC;0.47nf;10%,500V,Y5P,TP;5,		D305	0401-000005	DIODE-SWITCHING;1N4148,100V,200mA,DO-35,		
...	...	C306	2401-002288	C-AL;470uf;20%,25V,WT,TP;10x20,5		△	D401	0402-001105	DIODE-RECTIFIER;ERB43-04Sv1,400V,1.0A,-,	
...	...	C307	2401-000360	C-AL;100uf;20%,50V,GP,TP;8x11.5,5		D501	0402-000254	DIODE-RECTIFIER;RGP10J,600V,1A,DO-41,TP		
...	...	C308	2401-000360	C-AL;100uf;20%,50V,GP,TP;8x11.5,5		D502	0402-001105	DIODE-RECTIFIER;ERB43-04Sv1,400V,1.0A,-,		
...	...	C309	2301-000254	C-FILM,PEF;39nf;5%,50V,TP;7.5x3.5x6.5mm,		D503	0402-001105	DIODE-RECTIFIER;ERB43-04Sv1,400V,1.0A,-,		
...	...	C310	2401-000223	C-AL;100nf;20%,50V,LL,TP;5x11mm,5mm		D504	0402-001105	DIODE-RECTIFIER;ERB43-04Sv1,400V,1.0A,-,		
...	...	C312	2305-000149	C-FILM,MPEF;100nf;5%,100V,TP;12x12.5x6.5		△	D801S	0402-001111	DIODE-RECTIFIER;1N5397GP600V,1.5A,DO-20	
...	...	C403	2401-000560	C-AL;1uf;20%,160V,GP,TP;5x11,5		△	D802	0402-001111	DIODE-RECTIFIER;1N5397GP600V,1.5A,DO-20	
...	...	C406	2401-002619	C-AL;47uf;20%,25V,GP,TP;5x11,5		△	D802S	0402-001111	DIODE-RECTIFIER;1N5397GP600V,1.5A,DO-20	
...	...	C407	2301-000383	C-FILM,PEF;10nf;5%,50V,TP;6x7x3.2mm,5mm		△	D803	0402-000254	DIODE-RECTIFIER;RGP10J,600V,1A,DO-41,TP	
...	...	C408	2201-000599	C-CERAMIC,DISC;0.56nf;10%,500V,Y5P,TP;5,		△	D803S	0402-001111	DIODE-RECTIFIER;1N5397GP600V,1.5A,DO-20	
...	...	C420	2301-001065	C-FILM,MPPF;47nf;5%,630V,TP;19x15.5x7.7,		△	D804	0401-000005	DIODE-SWITCHING;1N4148,100V,200mA,DO-35,	
...	...	C502	2301-000213	C-FILM,PEF;220nf;5%,250V,TP;21.5x11,7,5		△	D804S	0402-001111	DIODE-RECTIFIER;1N5397GP600V,1.5A,DO-20	
...	...	C503	2201-000723	C-CERAMIC,DISC;4.7nf;20%,3KV,Y5U,TP;16x5		△	D805	0402-000540	DIODE-RECTIFIER;RUB20A,600V,1.5A,-,TP	
...	...	C504	2401-001232	C-AL;4.7uf;20%,250V,GP,TP;10x12.5,5		△	D808	0401-000005	DIODE-SWITCHING;1N4148,100V,200mA,DO-35,	
...	...	C505	2202-000825	C-CERAMIC,MLC-AXIAL;680pf;10%,50V,Y5P,TP		△	D809	0402-000132	DIODE-RECTIFIER;1N4004,400V,1A,DO-41,TP	
...	...	C506	2401-000430	C-AL;10uf;20%,250V,GP,TP;10x16mm,5m		△	D811	0401-000005	DIODE-SWITCHING;1N4148,100V,200mA,DO-35,	
...	...	C601	2401-001998	C-AL;1000uf;20%,25V,GP,TP;10x20,5mm		△	D812	0402-001105	DIODE-RECTIFIER;ERB43-04Sv1,400V,1.0A,-,	
...	...	C603	2305-000289	C-FILM,MPEF;220nf;5%,63V,TP;5mm		△	D901	0401-000005	DIODE-SWITCHING;1N4148,100V,200mA,DO-35,	
...	...	C604	2401-000660	C-AL;2.2uf;20%,50V,GP,TP;5x11,5		DZ101	0403-000700	DIODE-ZENER;TZP33A,33V,31-35V,1W,DO-41,T		
...	...	C605	2401-000660	C-AL;2.2uf;20%,50V,GP,TP;5x11,5		DZ201	0403-000720	DIODE-ZENER;MTZJ9.1B,9.1V,8.57-9.01V,500		
...	...	C606	2301-000289	C-FILM,PEF;5.6nf;5%,50V,TP;7x6x3,5		DZ203	0403-001322	DIODE-ZENER;MTZJ9.1B,7.78-7.8V,1.9V,500mW,DO		
...	...	C607	2305-000289	C-FILM,MPEF;220nf;5%,63V,TP;5mm		DZ204	0403-000720	DIODE-ZENER;MTZJ9.1B,9.1V,8.57-9.01V,500		

Level	Loc. No.	Code No.	Description ; Specification	Remark	Level	Loc. No.	Code No.	Description ; Specification	Remark
....5	DZ205	0403-000720	DIODE-ZENER;MTZJ9.1B,9.1V,8.57-9.01V,500	5	EY818	AA60-40011A	EYELET;ID2.0,0D2.8,-,BST-	S.N.A
....5	DZ207	0403-000720	DIODE-ZENER;MTZJ9.1B,9.1V,8.57-9.01V,500	5	EY819	AA60-40011A	EYELET;ID2.0,0D2.8,-,BST-	S.N.A
....5	DZ301	0403-001328	DIODE-ZENER;MTZJ22A,20.15-21.20V,500mW,D	5	EY821	AA60-40011A	EYELET;ID2.0,0D2.8,-,BST-	S.N.A
....5	DZ302	0403-001221	DIODE-ZENER;UZ39BSB,35.36-37.19V,500mW,D	5	EY822	AA60-40011A	EYELET;ID2.0,0D2.8,-,BST-	S.N.A
....5	DZ303	0403-000700	DIODE-ZENER;TZP33A,33V,31-35V,1W,DO-41,T	5	EY823	AA60-40011A	EYELET;ID2.0,0D2.8,-,BST-	S.N.A
....5	DZ305	0403-001328	DIODE-ZENER;MTZJ22A,20.15-21.20V,500mW,D	5	EY824	AA60-40011A	EYELET;ID2.0,0D2.8,-,BST-	S.N.A
....5	DZ306	0403-000720	DIODE-ZENER;MTZJ9.1B,9.1V,8.57-9.01V,500	5	EY825	AA60-40011A	EYELET;ID2.0,0D2.8,-,BST-	S.N.A
....5	DZ307	0403-000720	DIODE-ZENER;MTZJ9.1B,9.1V,8.57-9.01V,500	5	EY827	AA60-40011A	EYELET;ID2.0,0D2.8,-,BST-	S.N.A
....5	DZ401	0403-000508	DIODE-ZENER;MTZJ5.6B,5.6V,5.45-5.73V,500	5	EY828	AA60-40011A	EYELET;ID2.0,0D2.8,-,BST-	S.N.A
....5	DZ402	0403-000508	DIODE-ZENER;MTZJ5.6B,5.6V,5.45-5.73V,500	5	EY829	AA60-40011A	EYELET;ID2.0,0D2.8,-,BST-	S.N.A
....5	DZ501	0403-000720	DIODE-ZENER;MTZJ9.1B,9.1V,8.57-9.01V,500	5	EY830	AA60-40011A	EYELET;ID2.0,0D2.8,-,BST-	S.N.A
....5	DZ502	0403-000720	DIODE-ZENER;MTZJ9.1B,9.1V,8.57-9.01V,500	5	EY833	AA60-40011A	EYELET;ID2.0,0D2.8,-,BST-	S.N.A
....5	DZ503	0403-000720	DIODE-ZENER;MTZJ9.1B,9.1V,8.57-9.01V,500	5	EY850	AA60-40011A	EYELET;ID2.0,0D2.8,-,BST-	S.N.A
....5	DZ504	0403-000720	DIODE-ZENER;MTZJ9.1B,9.1V,8.57-9.01V,500	5	EY851	AA60-40011A	EYELET;ID2.0,0D2.8,-,BST-	S.N.A
....5	DZ704	0403-000720	DIODE-ZENER;MTZJ9.1B,9.1V,8.57-9.01V,500	5	EY852	AA60-40011A	EYELET;ID2.0,0D2.8,-,BST-	S.N.A
....5	DZ801	0403-001140	DIODE-ZENER;RD10ESAB-T4,10V,9.19-10.30V,	5	EY853	AA60-40011A	EYELET;ID2.0,0D2.8,-,BST-	S.N.A
....5	DZ802	0403-001318	DIODE-ZENER;MTZJ4.3B,4.17-4.43V,500mW,DO	5	EY860	AA60-40011A	EYELET;ID2.0,0D2.8,-,BST-	S.N.A
....5	DZ803	0403-000699	DIODE-ZENER;TZP27B,27V,27-30.8V,1W,DO-41	5	EY861	AA60-40011A	EYELET;ID2.0,0D2.8,-,BST-	S.N.A
....5	DZ804	0403-000510	DIODE-ZENER;MTZJ6.2B,6.2V,5.96-6.27V,500	5	F801A	3602-000114	FUSE-HOLDER,-,30mohm	
....5	DZ805	0403-001327	DIODE-ZENER;MTZJ18A,16.22-17.06V,500mW,D	5	F801B	3602-000114	FUSE-HOLDER,-,30mohm	
....5	DZ806	0403-001317	DIODE-ZENER;MTZJ3.0B,3.01-3.22V,500mW,DO	5	FD801S	3601-001163	FUSE-AXIAL LEAD;125V7A,-,EPOXY,2.4X7.1M	S.N.A
....5	DZ807	0403-000508	DIODE-ZENER;MTZJ5.6B,5.6V,5.45-5.73V,500	5	GT101	AA60-40014A	PIN-GT,ASSY;1P,-,AUTO	S.N.A
....5	DZ808	0403-000720	DIODE-ZENER;MTZJ9.1B,9.1V,8.57-9.01V,500	5	GT301	AA60-40014A	PIN-GT,ASSY;1P,-,AUTO	S.N.A
....5	DZ809	0403-000508	DIODE-ZENER;MTZJ5.6B,5.6V,5.45-5.73V,500	5	GT302	AA60-40014A	PIN-GT,ASSY;1P,-,AUTO	S.N.A
....5	DZ810	0403-000508	DIODE-ZENER;MTZJ5.6B,5.6V,5.45-5.73V,500	5	GT401	AA60-40014A	PIN-GT,ASSY;1P,-,AUTO	S.N.A
....5	DZ901	0403-001319	DIODE-ZENER;MTZJ4.7C,4.68-4.93V,500mW,DO	5	GT402	AA60-40014A	PIN-GT,ASSY;1P,-,AUTO	S.N.A
....5	DZ903	0403-000508	DIODE-ZENER;MTZJ5.6B,5.6V,5.45-5.73V,500	5	GT501	AA60-40014A	PIN-GT,ASSY;1P,-,AUTO	S.N.A
....5	DZ904	0403-000508	DIODE-ZENER;MTZJ5.6B,5.6V,5.45-5.73V,500	5	GT502	AA60-40014A	PIN-GT,ASSY;1P,-,AUTO	S.N.A
....5	DZ905	0403-000508	DIODE-ZENER;MTZJ5.6B,5.6V,5.45-5.73V,500	5	GT801	AA60-40014A	PIN-GT,ASSY;1P,-,AUTO	S.N.A
....5	DZ906	0403-001319	DIODE-ZENER;MTZJ4.7C,4.68-4.93V,500mW,DO	5	GT802	AA60-40014A	PIN-GT,ASSY;1P,-,AUTO	S.N.A
....5	DZ907	0403-001319	DIODE-ZENER;MTZJ4.7C,4.68-4.93V,500mW,DO	5	GT803	AA60-40014A	PIN-GT,ASSY;1P,-,AUTO	S.N.A
....5	DZ908	0403-001319	DIODE-ZENER;MTZJ4.7C,4.68-4.93V,500mW,DO	5	GT804	AA60-40014A	PIN-GT,ASSY;1P,-,AUTO	S.N.A
....5	EL301	AA60-40011B	EYELET;ID2.2,0D3.2,-,BSP-	S.N.A5	GT805	AA60-40014A	PIN-GT,ASSY;1P,-,AUTO	S.N.A
....5	EL302	AA60-40011B	EYELET;ID2.2,0D3.2,-,BSP-	S.N.A5	GT806	AA60-40014A	PIN-GT,ASSY;1P,-,AUTO	S.N.A
....5	EL403	AA60-40011B	EYELET;ID2.2,0D3.2,-,BSP-	S.N.A5	GT807	AA60-40014A	PIN-GT,ASSY;1P,-,AUTO	S.N.A
....5	EL404	AA60-40011B	EYELET;ID2.2,0D3.2,-,BSP-	S.N.A5	HIC01	AA13-20004V	IC-HYBRID,-,PAP1031,SIP6P,PRE-AMP,TP	
....5	EL407	AA60-40011B	EYELET;ID2.2,0D3.2,-,BSP-	S.N.A5	IC803	1203-001217	IC-POSIA,JUST REG.;431,TO-92,3P4.58MIL	
....5	EL408	AA60-40011B	EYELET;ID2.2,0D3.2,-,BSP-	S.N.A5	J125	2001-000016	R-CARBON(S);10HM,5%,1/2W,AA,TP,2.4X6.4MM	
....5	EL501	AA60-40011B	EYELET;ID2.2,0D3.2,-,BSP-	S.N.A5	J137	2001-000281	R-CARBON;1000HM,5%,1/8W,AA,TP,1.8X3.2MM	
....5	EL502	AA60-40011B	EYELET;ID2.2,0D3.2,-,BSP-	S.N.A5	J142	2701-000115	INDUCTOR-AXIAL;10uH,10%,3x7mm	
....5	EL601	AA60-40011B	EYELET;ID2.2,0D3.2,-,BSP-	S.N.A5	J910	3301-000287	CORE-FERRITE BEAD;AA,3.5x1.0x6.0mm,1500,	
....5	EL602	AA60-40011B	EYELET;ID2.2,0D3.2,-,BSP-	S.N.A5	L101	2701-000326	INDUCTOR-AXIAL;560nH,10%,2.3x3.4mm	
....5	EL801	AA60-40011B	EYELET;ID2.2,0D3.2,-,BSP-	S.N.A5	L102	2701-000159	INDUCTOR-AXIAL;22uH,10%,4.2x9.8mm	
....5	EL802	AA60-40011B	EYELET;ID2.2,0D3.2,-,BSP-	S.N.A5	L103	2701-000114	INDUCTOR-AXIAL;10uH,10%,2.5x3.4mm	
....5	EL804	AA60-40011B	EYELET;ID2.2,0D3.2,-,BSP-	S.N.A5	L104	2701-000168	INDUCTOR-AXIAL;3.3uH,5%,2.5x3.4mm	
....5	EY101	AA60-40011A	EYELET;ID2.0,0D2.8,-,BST-	S.N.A5	L201	2701-000159	INDUCTOR-AXIAL;22uH,10%,4.2x9.8mm	
....5	EY401	AA60-40011A	EYELET;ID2.0,0D2.8,-,BST-	S.N.A5	L202	2701-000114	INDUCTOR-AXIAL;10uH,10%,2.5x3.4mm	
....5	EY402	AA60-40011A	EYELET;ID2.0,0D2.8,-,BST-	S.N.A5	L203	2701-000127	INDUCTOR-AXIAL;15uH,10%,2.5x3.4mm	
....5	EY403	AA60-40011A	EYELET;ID2.0,0D2.8,-,BST-	S.N.A5	L204	2701-000184	INDUCTOR-AXIAL;4.7uH,10%,2.5x3.4mm	
....5	EY404	AA60-40011A	EYELET;ID2.0,0D2.8,-,BST-	S.N.A5	L205	2701-000159	INDUCTOR-AXIAL;22uH,10%,4.2x9.8mm	
....5	EY405	AA60-40011A	EYELET;ID2.0,0D2.8,-,BST-	S.N.A5	L301	2701-000142	INDUCTOR-AXIAL;1uH,10%,2.5x3.4mm	
....5	EY406	AA60-40011A	EYELET;ID2.0,0D2.8,-,BST-	S.N.A5	L302	2701-000142	INDUCTOR-AXIAL;1uH,10%,2.5x3.4mm	
....5	EY407	AA60-40011A	EYELET;ID2.0,0D2.8,-,BST-	S.N.A5	L403	2901-000297	FILTER-EMI ON BOARD,-,3A,-,3.5x5,TP-	
....5	EY408	AA60-40011A	EYELET;ID2.0,0D2.8,-,BST-	S.N.A5	L404	2701-000142	INDUCTOR-AXIAL;1uH,10%,2.5x3.4mm	
....5	EY409	AA60-40011A	EYELET;ID2.0,0D2.8,-,BST-	S.N.A5	L405	2701-000159	INDUCTOR-AXIAL;22uH,10%,4.2x9.8mm	
....5	EY410	AA60-40011A	EYELET;ID2.0,0D2.8,-,BST-	S.N.A5	L701	2701-000184	INDUCTOR-AXIAL;4.7uH,10%,2.5x3.4mm	
....5	EY411	AA60-40011A	EYELET;ID2.0,0D2.8,-,BST-	S.N.A5	L702	2701-000184	INDUCTOR-AXIAL;4.7uH,10%,2.5x3.4mm	
....5	EY412	AA60-40011A	EYELET;ID2.0,0D2.8,-,BST-	S.N.A5	L703	2701-000184	INDUCTOR-AXIAL;4.7uH,10%,2.5x3.4mm	
....5	EY414	AA60-40011A	EYELET;ID2.0,0D2.8,-,BST-	S.N.A5	L704	2701-000184	INDUCTOR-AXIAL;4.7uH,10%,2.5x3.4mm	
....5	EY415	AA60-40011A	EYELET;ID2.0,0D2.8,-,BST-	S.N.A5	L802	3301-000287	CORE-FERRITE BEAD;AA,3.5x1.0x6.0mm,1500,	
....5	EY416	AA60-40011A	EYELET;ID2.0,0D2.8,-,BST-	S.N.A5	L803	3301-000287	CORE-FERRITE BEAD;AA,3.5x1.0x6.0mm,1500,	
....5	EY417	AA60-40011A	EYELET;ID2.0,0D2.8,-,BST-	S.N.A5	L804	2701-001030	INDUCTOR-AXIAL;43uH,10%,5x14mm	
....5	EY419	AA60-40011A	EYELET;ID2.0,0D2.8,-,BST-	S.N.A5	L806	2901-000297	FILTER-EMI ON BOARD,-,3A,-,3.5x5,TP-	
....5	EY420	AA60-40011A	EYELET;ID2.0,0D2.8,-,BST-	S.N.A5	L807	2701-001030	INDUCTOR-AXIAL;43uH,10%,5x14mm	
....5	EY421	AA60-40011A	EYELET;ID2.0,0D2.8,-,BST-	S.N.A5	L808	2901-000297	FILTER-EMI ON BOARD,-,3A,-,3.5x5,TP-	
....5	EY422	AA60-40011A	EYELET;ID2.0,0D2.8,-,BST-	S.N.A5	L902	2701-000114	INDUCTOR-AXIAL;10uH,10%,2.5x3.4mm	
....5	EY423	AA60-40011A	EYELET;ID2.0,0D2.8,-,BST-	S.N.A5	L903	2701-000158	INDUCTOR-AXIAL;22uH,10%,2.5x3.4mm	
....5	EY501	AA60-40011A	EYELET;ID2.0,0D2.8,-,BST-	S.N.A5	L904	2701-000114	INDUCTOR-AXIAL;10uH,10%,2.5x3.4mm	
....5	EY801	AA60-40011A	EYELET;ID2.0,0D2.8,-,BST-	S.N.A5	PCB	AA41-00131H	PCB-MAIN;CS21DB,FR-1,1L,H,1.6T,245X245,K	S.N.A
....5	EY802	AA60-40011A	EYELET;ID2.0,0D2.8,-,BST-	S.N.A5	0101	0501-000389	TR-SMALL SIGNAL;KSC815,NPN,400mW,TO-92,T	
....5	EY803	AA60-40011A	EYELET;ID2.0,0D2.8,-,BST-	S.N.A5	0102	0501-000389	TR-SMALL SIGNAL;KSC815,NPN,400mW,TO-92,T	
....5	EY807	AA60-40011A	EYELET;ID2.0,0D2.8,-,BST-	S.N.A5	0201	0501-000283	TR-SMALL SIGNAL;KSA539,PNP,400mW,TO-92,T	
....5	EY808	AA60-40011A	EYELET;ID2.0,0D2.8,-,BST-	S.N.A5	0202	0501-000389	TR-SMALL SIGNAL;KSC815,NPN,400mW,TO-92,T	
....5	EY809	AA60-40011A	EYELET;ID2.0,0D2.8,-,BST-	S.N.A5	0203	0501-000283	TR-SMALL SIGNAL;KSA539,PNP,400mW,TO-92,T	
....5	EY810	AA60-40011A	EYELET;ID2.0,0D2.8,-,BST-	S.N.A5	0204	0501-000389	TR-SMALL SIGNAL;KSC815,NPN,400mW,TO-92,T	
....5	EY813	AA60-40011A	EYELET;ID2.0,0D2.8,-,BST-	S.N.A5	0205	0501-000389	TR-SMALL SIGNAL;KSC815,NPN,400mW,TO-92,T	

Level	Loc. No.	Code No.	Description ; Specification	Remark	Level	Loc. No.	Code No.	Description ; Specification	Remark
....5	Q206	0501-000283	TR-SMALL SIGNAL;KSA539,PNP,400mW,TO-92,T	5	R510	2001-000281	R-CARBON;1000HM,5%,1/8W,AA,TP,1.8X3.2MM	
....5	Q301	0501-000283	TR-SMALL SIGNAL;KSA539,PNP,400mW,TO-92,T	5	R511	2001-000281	R-CARBON;1000HM,5%,1/8W,AA,TP,1.8X3.2MM	
....5	Q402	0501-000369	TR-SMALL SIGNAL;KSC2331-Y,NPN,1000mW,TO-	5	R512	2001-000281	R-CARBON;1000HM,5%,1/8W,AA,TP,1.8X3.2MM	
....5	Q802	0501-000389	TR-SMALL SIGNAL;KSC815,NPN,400mW,TO-92,T	5	R601	2001-000878	R-CARBON;6.2KOHM,5%,1/8W,AA,TP,1.8X3.2MM	
....5	Q803	0502-000242	TR-POWER;KSA614,PNP,25W,TO-220,TP,40-24	5	R602	2001-000591	R-CARBON;3.3KOHM,5%,1/8W,AA,TP,1.8X3.2MM	
....5	Q901	0501-000283	TR-SMALL SIGNAL;KSA539,PNP,400mW,TO-92,T	5	R605	2001-000591	R-CARBON;3.3KOHM,5%,1/8W,AA,TP,1.8X3.2MM	
....5	Q902	0504-000123	TR-DIGITAL;KSR1010,NPN,300mW,10K,TO-92,T	5	R607	2001-000878	R-CARBON;6.2KOHM,5%,1/8W,AA,TP,1.8X3.2MM	
....5	Q903	0501-000389	TR-SMALL SIGNAL;KSC815,NPN,400mW,TO-92,T	5	R618	2001-000019	R-CARBON(S);100HM,5%,1/2W,AA,TP,2.4X6.4M	
....5	Q905	0501-000389	TR-SMALL SIGNAL;KSC815,NPN,400mW,TO-92,T	5	R619	2001-000019	R-CARBON(S);100HM,5%,1/2W,AA,TP,2.4X6.4M	
....5	R103	2001-000008	R-CARBON;15KOHM,5%,1/8W,AA,TP,1.8X3.2MM	5	R702	2001-000969	R-CARBON;750HM,5%,1/8W,AA,TP,1.8X3.2MM	
....5	R104	2001-000429	R-CARBON;1KOHM,5%,1/8W,AA,TP,1.8X3.2MM	5	R712	2001-000857	R-CARBON;5600HM,5%,1/8W,AA,TP,1.8X3.2MM	
....5	R105	2001-000577	R-CARBON;2KOHM,5%,1/8W,AA,TP,1.8X3.2MM	5	R715	2001-000857	R-CARBON;5600HM,5%,1/8W,AA,TP,1.8X3.2MM	
....5	R106	2001-000290	R-CARBON;10KOHM,5%,1/8W,AA,TP,1.8X3.2MM	5	R719	2001-000969	R-CARBON;750HM,5%,1/8W,AA,TP,1.8X3.2MM	
....5	R108	2001-000947	R-CARBON;7.5KOHM,5%,1/8W,AA,TP,1.8X3.2MM	5	R720	2001-000969	R-CARBON;750HM,5%,1/8W,AA,TP,1.8X3.2MM	
....5	R109	2001-000786	R-CARBON;47KOHM,5%,1/8W,AA,TP,1.8X3.2MM	5	R801	2003-002171	R-METAL OXIDE(S);150ohm,5%,2W,AG,TP,3.9x	
....5	R110	2001-000924	R-CARBON;6800HM,5%,1/8W,AA,TP,1.8X3.2MM	5	R803	2003-000994	R-METAL OXIDE(S);33Kohm,5%,2W,AF,TP,3.9x	
....5	R111	2001-000008	R-CARBON;15KOHM,5%,1/8W,AA,TP,1.8X3.2MM	5	R804	2003-000994	R-METAL OXIDE(S);33Kohm,5%,2W,AF,TP,3.9x	
....5	R112	2001-000577	R-CARBON;2KOHM,5%,1/8W,AA,TP,1.8X3.2MM	5	R805	2001-001170	R-CARBON(S);6.80HM,5%,1/2W,AA,TP,2.4X6.4	
....5	R113	2001-000429	R-CARBON;1KOHM,5%,1/8W,AA,TP,1.8X3.2MM	5	R808	2001-000109	R-CARBON(S);4700HM,5%,1/2W,AA,TP,2.4X6.4	
....5	R114	2001-000857	R-CARBON;10KOHM,5%,1/8W,AA,TP,1.8X3.2MM	5	R809	2001-001150	R-CARBON(S);470KOHM,5%,1/2W,AA,TP,2.4X6.4	
....5	R117	2001-000924	R-CARBON;6800HM,5%,1/8W,AA,TP,1.8X3.2MM	5	R810	2001-001150	R-CARBON(S);470KOHM,5%,1/2W,AA,TP,2.4X6.4	
....5	R202	2001-000689	R-CARBON;390KOHM,5%,1/8W,AA,TP,1.8X3.2MM	5	R814	2003-002228	R-METAL OXIDE(S);0.47ohm,5%,2W,AG,TP,3.9	
....5	R203	2001-000857	R-CARBON;5600HM,5%,1/8W,AA,TP,1.8X3.2MM	5	R815	2003-002228	R-METAL OXIDE(S);0.47ohm,5%,2W,AG,TP,3.9	
....5	R204	2001-000857	R-CARBON;5600HM,5%,1/8W,AA,TP,1.8X3.2MM	5	R817	2004-004089	R-METAL(S);123Kohm,1%,1/2W,AA,TP,2.5x6.5	
....5	R205	2001-000011	R-CARBON;75KOHM,5%,1/8W,AA,TP,1.8X3.2MM	5	R818	2004-001399	R-METAL(S);5.1Kohm,1%,1/2W,AA,TP,2.4x6.4	
....5	R206	2001-000563	R-CARBON;27KOHM,5%,1/8W,AA,TP,1.8X3.2MM	5	R819	2004-001390	R-METAL(S);1Kohm,2%,1/2W,AA,TP,2.4x6.4mm	
....5	R207	2001-000005	R-CARBON;390ohm,5%,1/8W,AA,TP,1.8x3.2mm	5	R821	2001-001125	R-CARBON(S);300KOHM,5%,1/2W,AA,TP,2.4X6.4	
....5	R208	2001-000591	R-CARBON;3.3KOHM,5%,1/8W,AA,TP,1.8X3.2MM	5	R822	2004-001983	R-METAL(S);2.49Kohm,1%,1/2W,AA,TP,2.4x6.4	
....5	R209	2001-000793	R-CARBON;470HM,5%,1/8W,AA,TP,1.8X3.2MM	5	R823	2001-000037	R-CARBON(S);3300HM,5%,1/2W,AA,TP,2.4X6.4	
....5	R210	2001-000857	R-CARBON;5600HM,5%,1/8W,AA,TP,1.8X3.2MM	5	R824	2008-000294	R-FUSIBLE(S);33ohm,5%,2W,AF,TP,3.9x10mm	
....5	R211	2001-000281	R-CARBON;1000HM,5%,1/8W,AA,TP,1.8X3.2MM	5	R825	2008-000266	R-FUSIBLE(S);1ohm,5%,2W,AF,TP,3.9x10mm	
....5	R212	2001-000405	R-CARBON;1800HM,5%,1/8W,AA,TP,1.8X3.2MM	5	R826	2001-000290	R-CARBON;10KOHM,5%,1/8W,AA,TP,1.8X3.2MM	
....5	R213	2001-000938	R-CARBON;680HM,5%,1/8W,AA,TP,1.8X3.2MM	5	R827	2003-000998	R-METAL OXIDE;300ohm,5%,2W,AF,TP,3.9x10m	
....5	R214	2001-000325	R-CARBON;1200HM,5%,1/8W,AA,TP,1.8X3.2MM	5	R828	2001-000290	R-CARBON;10KOHM,5%,1/8W,AA,TP,1.8X3.2MM	
....5	R215	2001-000281	R-CARBON;1000HM,5%,1/8W,AA,TP,1.8X3.2MM	5	R829	2001-000563	R-CARBON;27KOHM,5%,1/8W,AA,TP,1.8X3.2MM	
....5	R218	2001-000008	R-CARBON;15KOHM,5%,1/8W,AA,TP,1.8X3.2MM	5	R830	2001-000734	R-CARBON;4.7KOHM,5%,1/8W,AA,TP,1.8X3.2MM	
....5	R219	2004-001914	R-METAL;39Kohm,2%,1/8W,AA,TP,1.8x3.5mm	5	R831	2001-001192	R-CARBON(S);8200HM,5%,1/2W,AA,TP,2.4X6.4	
....5	R222	2001-000947	R-CARBON;7.5KOHM,5%,1/8W,AA,TP,1.8X3.2MM	5	R832	2001-001088	R-CARBON(S);1KOHM,5%,1/2W,AA,TP,2.4X6.4M	
....5	R223	2001-000281	R-CARBON;1000HM,5%,1/8W,AA,TP,1.8X3.2MM	5	R834	2003-001040	R-METAL OXIDE(S);47Kohm,5%,2W,AF,TP,3.9x	
....5	R224	2001-000290	R-CARBON;10KOHM,5%,1/8W,AA,TP,1.8X3.2MM	5	R837	2003-002064	R-METAL OXIDE;7.5ohm,5%,2W,AF,TP,10x3.9m	
....5	R225	2001-000281	R-CARBON;1000HM,5%,1/8W,AA,TP,1.8X3.2MM	5	R838	2003-002064	R-METAL OXIDE;7.5ohm,5%,2W,AF,TP,10x3.9m	
....5	R227	2001-000739	R-CARBON;4.7MOHM,5%,1/8W,AA,TP,1.8X3.2MM	5	R839	2003-002064	R-METAL OXIDE;7.5ohm,5%,2W,AF,TP,10x3.9m	
....5	R228	2001-000739	R-CARBON;4.7MOHM,5%,1/8W,AA,TP,1.8X3.2MM	5	R840	2001-001078	R-CARBON(S);15KOHM,5%,1/2W,AA,TP,2.4X6.4	
....5	R230	2001-000221	R-CARBON;1.2KOHM,5%,1/8W,AA,TP,1.8X3.2MM	5	R841	2001-000734	R-CARBON;4.7KOHM,5%,1/8W,AA,TP,1.8X3.2MM	
....5	R301	2001-000016	R-CARBON(S);10HM,5%,1/2W,AA,TP,2.4X6.4MM	5	R843	2001-000019	R-CARBON(S);100HM,5%,1/2W,AA,TP,2.4X6.4M	
....5	R302	2004-004366	R-METAL(S);1.3Kohm,1%,1/2W,AA,TP,2.5x6.5	5	R850	2001-001170	R-CARBON(S);6.80HM,5%,1/2W,AA,TP,2.4X6.4	
....5	R303	2003-002070	R-METAL OXIDE;1ohm,5%,2W,AF,TP,3.9x10mm	5	R901	2001-000472	R-CARBON;2.7KOHM,5%,1/8W,AA,TP,1.8X3.2MM	
....5	R304	2008-000253	R-FUSIBLE(S);0.47ohm,5%,1W,AF,TP,3.9x10m	5	R902	2001-000241	R-CARBON;1.5KOHM,5%,1/8W,AA,TP,1.8X3.2MM	
....5	R305	2008-000253	R-FUSIBLE(S);0.47ohm,5%,1W,AF,TP,3.9x10m	5	R903	2001-000472	R-CARBON;2.7KOHM,5%,1/8W,AA,TP,1.8X3.2MM	
....5	R306	2004-004366	R-METAL(S);1.3Kohm,1%,1/2W,AA,TP,2.5x6.5	5	R904	2001-000241	R-CARBON;1.5KOHM,5%,1/8W,AA,TP,1.8X3.2MM	
....5	R307	2001-000290	R-CARBON;10KOHM,5%,1/8W,AA,TP,1.8X3.2MM	5	R905	2001-000005	R-CARBON;390ohm,5%,1/8W,AA,TP,1.8x3.2mm	
....5	R308	2001-001093	R-CARBON(S);2.2KOHM,5%,1/2W,AA,TP,2.4X6.4	5	R906	2001-000005	R-CARBON;390ohm,5%,1/8W,AA,TP,1.8x3.2mm	
....5	R313	2001-000258	R-CARBON;1.8KOHM,5%,1/8W,AA,TP,1.8X3.2MM	5	R907	2001-000472	R-CARBON;2.7KOHM,5%,1/8W,AA,TP,1.8X3.2MM	
....5	R314	2003-000537	R-METAL OXIDE(S);1Kohm,5%,1W,AF,TP,3.3x9	5	R908	2001-000472	R-CARBON;2.7KOHM,5%,1/8W,AA,TP,1.8X3.2MM	
....5	R315	2003-002009	R-METAL OXIDE(S);390ohm,5%,2W,AF,TP,3.9x	5	R909	2001-000281	R-CARBON;1000HM,5%,1/8W,AA,TP,1.8X3.2MM	
....5	R316	2003-002009	R-METAL OXIDE(S);390ohm,5%,2W,AF,TP,3.9x	5	R910	2001-000290	R-CARBON;10KOHM,5%,1/8W,AA,TP,1.8X3.2MM	
....5	R402	2003-002178	R-METAL OXIDE(S);1Kohm,5%,2W,AG,TP,3.9x1	5	R911	2001-000281	R-CARBON;1000HM,5%,1/8W,AA,TP,1.8X3.2MM	
....5	R403	2003-000784	R-METAL OXIDE(S);7.5Kohm,5%,2W,AF,TP,4x1	5	R912	2001-000281	R-CARBON;1000HM,5%,1/8W,AA,TP,1.8X3.2MM	
....5	R405	2001-001116	R-CARBON(S);270HM,5%,1/2W,AA,TP,2.4X6.4M	5	R913	2001-000281	R-CARBON;1000HM,5%,1/8W,AA,TP,1.8X3.2MM	
....5	R407	2003-002209	R-METAL OXIDE(S);47Kohm,5%,2W,AG,TP,3.9X	5	R914	2001-000281	R-CARBON;1000HM,5%,1/8W,AA,TP,1.8X3.2MM	
....5	R408	2001-001037	R-CARBON(S);0.390HM,5%,1/2W,AA,TP,2.4X6.4	5	R915	2001-000924	R-CARBON;6800HM,5%,1/8W,AA,TP,1.8X3.2MM	
....5	R409	2001-000022	R-CARBON(S);330HM,5%,1/2W,AA,TP,2.4X6.4M	5	R916	2001-000449	R-CARBON;2.2KOHM,5%,1/8W,AA,TP,1.8X3.2MM	
....5	R411	2001-001114	R-CARBON(S);2700HM,5%,1/2W,AA,TP,2.4X6.4	5	R917	2001-000449	R-CARBON;2.2KOHM,5%,1/8W,AA,TP,1.8X3.2MM	
....5	R413	2003-002130	R-METAL OXIDE(S);15ohm,5%,2W,AF,TP,3.9x1	5	R918	2001-000429	R-CARBON;1KOHM,5%,1/8W,AA,TP,1.8X3.2MM	
....5	R414	2001-001078	R-CARBON(S);15KOHM,5%,1/2W,AA,TP,2.4X6.4	5	R919	2001-000290	R-CARBON;10KOHM,5%,1/8W,AA,TP,1.8X3.2MM	
....5	R420	2008-001110	R-FUSIBLE(S);68ohm,5%,2W,AG,TP,3.9X12mm	5	R920	2001-000290	R-CARBON;10KOHM,5%,1/8W,AA,TP,1.8X3.2MM	
....5	R421	2008-001114	R-FUSIBLE(S);1.5ohm,5%,2W,AG,TP,3.9x12mm	5	R921	2001-000290	R-CARBON;10KOHM,5%,1/8W,AA,TP,1.8X3.2MM	
....5	R423	2004-001373	R-METAL(S);100Kohm,1%,1/2W,AA,TP,2.4x6.4	5	R922	2001-000290	R-CARBON;10KOHM,5%,1/8W,AA,TP,1.8X3.2MM	
....5	R424	2004-001402	R-METAL(S);6.8Kohm,1%,1/2W,AA,TP,2.4x6.4	5	R923	2001-000273	R-CARBON;100KOHM,5%,1/8W,AA,TP,1.8X3.2MM	
....5	R501	2001-0000281	R-CARBON;1000HM,5%,1/8W,AA,TP,1.8X3.2MM	5	R924	2001-000290	R-CARBON;100KOHM,5%,1/8W,AA,TP,1.8X3.2MM	
....5	R501H	2002-001008	R-COMPOSITION;1.8Kohm,10%,1/2W,AA,TP,3.7	5	R925	2001-000734	R-CARBON;4.7KOHM,5%,1/8W,AA,TP,1.8X3.2MM	
....5	R502	2001-000281	R-CARBON;1000HM,5%,1/8W,AA,TP,1.8X3.2MM	5	R926	2001-000429	R-CARBON;1KOHM,5%,1/8W,AA,TP,1.8X3.2MM	
....5	R502H	2002-001008	R-COMPOSITION;1.8Kohm,10%,1/2W,AA,TP,3.7	5	R927	2001-000793	R-CARBON;470HM,5%,1/8W,AA,TP,1.8X3.2MM	
....5	R503	2002-001008	R-COMPOSITION;1.8Kohm,10%,1/2W,AA,TP,3.7	5	R928	2001-000290	R-CARBON;10KOHM,5%,1/8W,AA,TP,1.8X3.2MM	
....5	R504	2001-001062	R-CARBON(S);10MOHM,5%,1/2W,AA,TP,2.4X6.4	5	R929	2001-000563	R-CARBON;27KOHM,5%,1/8W,AA,TP,1.8X3.2MM	
....5	R505	2008-001011	R-FUSIBLE(S);0.18ohm,10%,2W,AF,TP,3.9x10	5	R931	2001-000429	R-CARBON;1KOHM,5%,1/8W,AA,TP,1.8X3.2MM	
....5	R506	2001-000281	R-CARBON;1000HM,5%,1/8W,AA,TP,1.8X3.2MM	5	R932	2001-000325	R-CARBON;1200HM,5%,1/8W,AA,TP,1.8X3.2MM	

Level	Loc. No.	Code No.	Description ; Specification	Remark	Level	Loc. No.	Code No.	Description ; Specification	Remark
....5	R933	2001-000281	R-CARBON;1000HM,5%,1/8W,AA,TP;1.8X3.2MM	4		3001-001034	SPEAKER;6W;8ohm,90dB,140Hz	
....5	R934	2001-000281	R-CARBON;1000HM,5%,1/8W,AA,TP;1.8X3.2MM	4	AA39-20505M	LEAD CONNECTOR-ASSY;4PYSH025-04,REC,35		
....5	R938	2001-000281	R-CARBON;1000HM,5%,1/8W,AA,TP;1.8X3.2MM		...3	AA65-30105A	CLAMP-WIRE;ALL MODEL,NYLON 66,V2,-,NTR,1	S.N.A	
△	RX801S	2002-001011	R-COMPOSITION;3.3Mohm,5%,1/2W,AA,TP;3.7x		...3	AA61-40113A	STOPPER-PCB;501H,HIPS,-,-,HB,NTR,-	S.N.A	
△	RY801S	2002-001012	R-COMPOSITION;8.2Mohm,5%,1/2W,AA,TP;3.7x		...3	AA63-50356B	GRILLE WOOFFER;21S1,SECC,T0.5,-,-,-,SV7	S.N.A	
....5	SW901	3404-000244	SWITCH-TACT;15V,20mA,90-170gf,7.5x7mm,SP		...3	AA64-01183D	DECORATION-FRONT;21S1 L/S,HIPS,-,-,-,HB,	S.N.A	
....5	SW902	3404-000244	SWITCH-TACT;15V,20mA,90-170gf,7.5x7mm,SP		...3	AA64-10789B	KNOB CONTROL;50.53S1,ABS,-,-,-,HB,G3676,		
....5	SW903	3404-000244	SWITCH-TACT;15V,20mA,90-170gf,7.5x7mm,SP		...3	AA64-10790D	KNOB POWER;50.53S1,ABS,-,-,-,HB,G3676,-,		
....5	SW904	3404-000244	SWITCH-TACT;15V,20mA,90-170gf,7.5x7mm,SP						
....5	SW905	3404-000244	SWITCH-TACT;15V,20mA,90-170gf,7.5x7mm,SP						
....5	T101	AA26-00025A	TRANS-IF;7MG,-,-,-,10pF,-,58.35MHz,7.7x7						
△	VX801S	1405-000187	VARIATOR;750V,1250A,12.5x7mm,TP						
....5	X901	2801-003937	CRYSTAL-UNIT;12MHz,25ppm,28-AAM,30pF,30o						
....5	Z201	2903-000129	FILTER-CERAMIC;BR,4.5MHz,-,-,-,TP,-		1	*	AA92-03225Y	ASSY ACCESSORY;CS21D8SX/XSG	S.N.A
....5	Z202	2903-001240	FILTER-CERAMIC;TR,5.5MHz,-,28dB,-,TP,-		..2		AA68-01696B	MANUAL USERS;ARB.,W/P100G,ALL1,B5,KS1A,	S.N.A
....5	Z203	2903-001246	FILTER-CERAMIC;TR,5.5MHz,-,-,-,TP,multi.		..2		AA68-01602B	MANUAL USERS;ENG,W/P100G,ALL1,B5,KS1A,3	S.N.A
...3		0202-000187	SOLDER-WIRE FLUX;-RS60S,D1.2,63Sn/37Pb	S.N.A	..2		AA59-00104M	REMOCON;-TM59,KS2A,29,L/GRAY,NON-TTX,GRA	
...3		AA39-20010D	LEAD CONNECTOR-ASSY;1P,YFH800-01,S,400,		..2		AA26-90001C	TRANS-MATCHING;-300ohm/75ohm,PAL,40-890	
...3		AA65-30009A	CLAMP-FBT;-ABS,VO,-,BLK,-	S.N.A					
..2		AA95-017830	ASSY SUB-PCB,A/V FRONT;S15ALINE-STEREO,	S.N.A					
...3	CE01	2202-000121	C-CERAMIC,MLC-AXIAL;100pF,10%,50V,Y5P,TP						
...3	CE02	2202-000121	C-CERAMIC,MLC-AXIAL;100pF,10%,50V,Y5P,TP						
...3	CN701	AA39-00094A	LEAD CONNECTOR-ASSY;3(2P)YBNH250-03,35						
...3	CN702	AA39-20461C	LEAD CONNECTOR-ASSY;11P,YBNH250-11,6709						
...3	JA702	3722-001031	JACK-PIN;3P;3.6mm,#18,AU						
...3	LE01	2701-000114	INDUCTOR-AXIAL;10uH,10%,2.5x3.4mm						
...3	LE02	2701-000114	INDUCTOR-AXIAL;10uH,10%,2.5x3.4mm						
...3	PCB	AA41-10813A	PCB-A/V;SCT13B,1L,FR-1,245x245x1.6T,-,	S.N.A					
...3		0202-000187	SOLDER-WIRE FLUX;-RS60S,D1.2,63Sn/37Pb	S.N.A					
..2		AA96-20109B	ASSY-POWER,CORD;-CP2/NO(4.0),H/C250,KKP	S.N.A					
...3		3811-000401	WIRE-PVC CU;BCWA,300V,ROLL,17/0.16mm,#22	S.N.A					
...3		AA39-10006X	POWER-CORD;-KCP419C,KLCE-2F,2.286MT,3P,						
...3		AA61-20284A	HOLDER;P-CORD,PP,-,-,-,BLK,VO,KE-002	S.N.A					

ASSY ACCESSORY

ASSY CPT

1	*	AA91-02945A	ASSY CPT;CS21S1SX/TAW	S.N.A
..2		AA91-02170B	ASSY CPT;A51KQJ63X(H),21,+380MG,BARE	S.N.A
...3		AA63-60028A	SPACER-DY;-NEOPRENE,-,-,-,BLK,-,VO W1	S.N.A
...3		AA27-50005K	DEFLECTION-YOKE;-CDY-S2192M,ST-3,A51KQJ	
△	...3	AA27-00002A	MAGNET-CONVERGENCE;-JH291-SC-0B,29.1MM	
...3		AA03-10024T	CRT-COLOR;A51KQJ63X(H),+380mG,2.28mH,22	
..2		AA98-70014C	ASSY-TBC,WIRE(P);-21',NTSC,1P,TVI	S.N.A
..2		AA27-00144A	COIL DEGAUSSING;48T,90HM,21INCH,110/220	

ASSY COVER REAR

1	*	AA90-02086G	ASSY COVER REAR;21S1,HB G4309 D/S,LINE-S	S.N.A
..2		AA64-31327U	CABINET BACK;21S1,HIPS,HB,G4309,D/S	
..2		AA64-60385B	INLAY-BACK;50.5366,PS,T0.3,-,-,BLK,LINE	S.N.A
..2		AA65-30008A	CLAMP-CORD;-PE,HB,-,BLK,-	S.N.A

ASSY COVER FRONT

1	*	AA90-01923T	ASSY COVER FRONT;CS21S1SX/XSG	
..2	CB+CF	6003-001026	SCREW-TAPTITE;RH,+B,M4,L15,ZPC(BLK),SWR	S.N.A
..2	CRT+CF	AA60-10050R	SCREW-ASSY;-SWRCH18A,M5,L31.5,HH,+WC,-	S.N.A
..2	PA+CF	6006-001095	SCREW-ASSY TAPT;WPBH,+M4,L12,ZPC(YEL)	S.N.A
..2		AA65-30107A	CLAMP-D,COIL;20-22 INCH,NYLON 66,V2,-,NT	S.N.A
..2		AA91-00118V	ASSY CABINET FRONT;21S1 L/S KS1A,(SPK)S	
...3	KC+CF	6003-001026	SCREW-TAPTITE;RH,+B,M4,L15,ZPC(BLK),SWR	S.N.A
...3	KNOPOW	AA61-60003J	SPRING-CS;-SUS304,-,-,OD6,N7,OD6,-,-,-	S.N.A
...3	SPK+CF	6003-001026	SCREW-TAPTITE;RH,+B,M4,L15,ZPC(BLK),SWR	S.N.A
...3		AA64-31326M	CABINET-FRONT;53S1,HIPS,HB,G4309,SV704P	S.N.A
...3		AA64-40513B	WINDOW-REMOCON;-50S1,-,PC,VO,VIOLET,-	S.N.A
...3		AA64-40514A	INDICATOR-LED;CT50S1,ACRYL,-,CLR,-,-,-	
...3		AA64-70123B	BADGE-BRAND;-AL,-,L=50,SAMSUNG,SILVER	S.N.A
...3		AA96-00163B	ASSY SPEAKER;-8ohm,6W,3001-001034,350/7	S.N.A

7-4 CS21S4SX/AWE

Level	Loc. No.	Code No.	Description ; Specification	Remark	Level	Loc. No.	Code No.	Description ; Specification	Remark
ASSY CHASSIS									
1	*	AA91-03369A	ASSY CHASSIS;CS21S4SX/AWE,NIGERIA,KS1A	5	C104	2202-000796	C-CERAMIC,MLC-AXIAL;1Nf,10%,50V,Y5P,TP3	
.2		AA94-07652A	ASSY PCB MAIN;CS21S4SX/AWE,KS1A,NIGERIA	S.N.A5	C105	2202-000127	C-CERAMIC,MLC-AXIAL;10nF,+80-20%,25V,Y5V	
...3	C901	2305-000412	C-FILM,MPEF;470nF,5%,63V,TP,-,5mm	5	C106	2202-000127	C-CERAMIC,MLC-AXIAL;10nF,+80-20%,25V,Y5V	
...3	CLAMP	AA65-30018A	CLAMP-WIRE;DONG-A,NYLON-66,-,-,DATL-60	S.N.A5	C107	2202-000796	C-CERAMIC,MLC-AXIAL;1Nf,10%,50V,Y5P,TP3	
...3	CN501	AA39-20620C	LEAD CONNECTOR-ASSY;9PYBNH250-09,S,500	5	C108	2202-000127	C-CERAMIC,MLC-AXIAL;10nF,+80-20%,25V,Y5V	
△	D806	AA96-00243D	ASSY H/S;-;BRIDGE,AA62-00045A,D06U20S,DR	S.N.A5	C109	2301-000224	C-FILM,PEF;22nF,5%,50V,TP7.4x3.9x13mm,5	
....4		0205-000129	GREASE-SILICON;SC102,JAPAN	S.N.A5	C110	2401-000914	C-AL;22uF,20%,16V,GPTP,5x11.5	
....4		0402-001374	DIODE-RECTIFIER;FFP06U20S,200V,6A,TO-22	5	C111	2202-000127	C-CERAMIC,MLC-AXIAL;10nF,+80-20%,25V,Y5V	
....4		6003-000335	SCREW-TAPTITE;RH,+2S,M3,L8,ZPC(YEL),SWR	S.N.A5	C113	2401-000914	C-AL;22uF,20%,16V,GPTP,5x11.5	
....4		AA62-00045A	HEAT SINK-PS;-;T1.0,-,-,DREAM,-,-,-,-	S.N.A5	C115	2202-000632	C-CERAMIC,MLC-AXIAL;100nF,20%,50V,Z5U,TP	
△	IC201S	AA09-00222A	IC MICOM;SPM802MAN1-0527,SPM802MAN1-0527	5	C117	2202-000127	C-CERAMIC,MLC-AXIAL;10nF,+80-20%,25V,Y5V	
...3	IC301	AA96-00244A	ASSY H/S;-;AA62-00046A,LA7840,-	S.N.A5	C118	2301-000383	C-FILM,PEF;10nF,5%,50V,TP6x7x3.2mm,5mm	
....4		0205-000129	GREASE-SILICON;SC102,JAPAN	S.N.A5	C119	2401-000027	C-AL;4.7uF,20%,50V,GPTP,5x11.5	
....4		1204-001483	IC-VERTICAL PROCESSOR;LA7840,SIP7P708MI	5	C120	2401-000027	C-AL;4.7uF,20%,50V,GPTP,5x11.5	
....4		6003-000335	SCREW-TAPTITE;RH,+2S,M3,L8,ZPC(YEL),SWR	S.N.A5	C121	2305-000412	C-FILM,MPEF;470nF,5%,63V,TP,-,5mm	
....4		AA62-00046A	HEAT SINK-PS;-;T1.0,-,D1(DREAM) 60X25X	S.N.A5	C203	2401-001176	C-AL;33uF,20%,25V,GPTP,5x11.5	
...3	IC601	AA96-00244G	ASSY H/S;-;AUDIO,AA62-00046A,TDA8944J,BR	S.N.A5	C204	2305-000665	C-FILM,MPEF;100nF,5%,63V,TP,7.5x4.0x5.0mm	
....4		AA62-00046A	HEAT SINK-PS;-;T1.0,-,D1(DREAM) 60X25X	S.N.A5	C205	2305-000665	C-FILM,MPEF;100nF,5%,63V,TP,7.5x4.0x5.0mm	
....4		AA61-10162B	BRACKET-IC;-;SBHG-1,T1.0,-,-,-,100	S.N.A5	C207	2305-000412	C-FILM,MPEF;470nF,5%,63V,TP,-,5mm	
....4		6003-000335	SCREW-TAPTITE;RH,+2S,M3,L8,ZPC(YEL),SWR	S.N.A5	C208	2305-000665	C-FILM,MPEF;100nF,5%,63V,TP,7.5x4.0x5.0mm	
....4		1201-001741	IC-AUDIO AMP;TDA8944J,DBS,17P,937MIL,DUA	5	C209	2401-001840	C-AL;100uF,20%,16V,GPTP,6.3x11.5	
....4		0205-000129	GREASE-SILICON;SC102,JAPAN	S.N.A5	C210	2305-000665	C-FILM,MPEF;100nF,5%,63V,TP,7.5x4.0x5.0mm	
△	LC801S	AA27-00144A	COIL DEGAUSSING;48T,90HM,21INCH,110/220	5	C211	2202-000632	C-CERAMIC,MLC-AXIAL;100nF,20%,50V,Z5U,TP	
...3	Q401	0502-001160	TR-POWER;2SD2499,NPN,50000mW,TO-3P,BK,8-	5	C213	2401-001840	C-AL;100uF,20%,16V,GPTP,6.3x11.5	
...3	R600	2006-001020	R-CEMENT;3.9OHM,5%,5W,CJ,TP,10.5X14X23.5	5	C214	2401-001840	C-AL;100uF,20%,16V,GPTP,6.3x11.5	
△	T444S	AA26-00098A	TRANS FBT;FSA38032M,-,3.53mH,-,-,-,125V,	5	C215	2305-000289	C-FILM,MPEF;220nF,5%,63V,TP,-,5mm	
△	T801S	AA26-00043B	TRANS SWITCHING;CS21S5T,80-280V,PM2,PL3	5	C216	2305-000289	C-FILM,MPEF;220nF,5%,63V,TP,-,5mm	
...3	Z	AA65-30018A	CLAMP-WIRE;DONG-A,NYLON-66,-,-,DATL-60	S.N.A5	C217	2301-000342	C-FILM,PEF;2.2nF,5%,50V,TP7.4x3.9x13mm,	
...3		AA97-06872A	ASSY ROBOT-MAIN;CS21S4SX/AWE,KS1A,NIGERI	S.N.A5	C218	2305-000665	C-FILM,MPEF;100nF,5%,63V,TP,7.5x4.0x5.0mm	
....4	C801	2401-003339	C-AL;220uF,20%,400V,GPST,30x35,10	5	C219	2401-000603	C-AL;1uF,20%,50V,GPTP,5x11.5	
....4	CN701	3711-000628	CONNECTOR-HEADER;-;11P,1R,2.5mm,STRAIGHT	5	C220	2401-002235	C-AL;10uF,20%,16V,GPTP,5x11mm,5mm	
△	CR402S	2306-000188	C-FILM,MPPF;330nF,5%,400V,TP,26x19.5x11,	5	C221	2401-000660	C-AL;2.2uF,20%,50V,GPTP,5x11.5	
△	CR410S	2303-001015	C-FILM,PPF;5.5nF,5%,1.6kV,TP,29x9.5x17.2	5	C222	2401-000758	C-AL;220nF,20%,50V,GPTP,5x11.5	
△	CX801S	2306-000318	C-FILM,MPPF;220nF,20%,250V,TP,-,22.5mm	5	C223	2202-000796	C-CERAMIC,MLC-AXIAL;1Nf,10%,50V,Y5P,TP3	
△	CY801S	2201-000446	C-CERAMIC,DISC;3.3nF,20%,400V,Y5U,TP15x	5	C224	2202-000796	C-CERAMIC,MLC-AXIAL;1Nf,10%,50V,Y5P,TP3	
△	FP801S	3601-000281	FUSE-CARTRIDGE;250V,4A,TIME-LAG,GLASS,5.	5	C225	2309-000138	C-FILM,PE-PPF;100nF,5%,50V,TP,20x16x8.5,	
....4	IC101	1204-001583	IC-IF CIRCUIT;U4468B,DIP,16P,-,PLASTIC,5	5	C229	2401-001840	C-AL;100uF,20%,16V,GPTP,6.3x11.5	
....4	IC501	AA96-50311A	ASSY-H/S;-;VIDEO,AA62-30175D,TDA6107Q,-	S.N.A5	C230	2305-000665	C-FILM,MPEF;100nF,5%,63V,TP,7.5x4.0x5.0mm	
....5		1201-001159	IC-VIDEO AMP;G107,ZSIP9P,-,SINGLE,-,PLA	5	C231	2305-000665	C-FILM,MPEF;100nF,5%,63V,TP,7.5x4.0x5.0mm	
....5		6003-000334	SCREW-TAPTITE;RH,+2S,M3,L6,ZPC(YEL),SWR	S.N.A5	C233	2305-000289	C-FILM,MPEF;220nF,5%,63V,TP,-,5mm	
....5		AA62-30175D	HEAT-SINK,PS;-;SECC,T1.0,-,33X15X30 FT-2	S.N.A5	C234	2301-000342	C-FILM,PEF;2.2nF,5%,50V,TP7.4x3.9x13mm,	
△	IC801S	AA96-00242A	ASSY H/S;-;AA62-30186B,KA500765R,-	S.N.A5	C248	2301-000445	C-FILM,PEF;4.7nF,5%,50V,TP5.5x7x3mm,5mm	
....5		0205-000129	GREASE-SILICON;SC102,JAPAN	S.N.A5	C301	2305-000285	C-FILM,MPEF;220nF,5%,100V,TP,10.5X5.5X15	
....5		1203-001932	IC-PWM CONTROLLER;5Q0765,TO-220F,5P,185M	5	C302	2201-000259	C-CERAMIC,DISC;0.18nF,10%,500V,Y5P,TP5	
....5		6003-000333	SCREW-TAPTITE;RH,+2S,M3,L10,ZPC(YEL),SW	S.N.A5	C303	2201-000556	C-CERAMIC,DISC;0.47nF,10%,500V,Y5P,TP5	
....5		AA62-30186B	HEAT SINK-ES;-;SILVER,171J + COVER-H	S.N.A5	C304	2401-002288	C-AL;470uF,20%,25V,WT,TP,10x20,5	
△	IC802	AA96-00245A	ASSY H/S;-;AA62-00055A,KA7632,-	S.N.A5	C305	2201-000556	C-CERAMIC,DISC;0.47nF,10%,500V,Y5P,TP5	
....5		1203-001939	IC-POS.FIXED REG.;7632,SIP,10P,-,PLASTI	5	C306	2401-002288	C-AL;470uF,20%,25V,WT,TP,10x20,5	
....5		6003-000334	SCREW-TAPTITE;RH,+2S,M3,L6,ZPC(YEL),SWR	S.N.A5	C307	2401-000360	C-AL;100uF,20%,50V,GPTP,8x11.5,5	
....5		AA62-00055A	HEAT SINK-PS;-;T1.0,-,35*15*25,D1,-,-	S.N.A5	C308	2401-000360	C-AL;100uF,20%,50V,GPTP,8x11.5,5	
....4	IC902	1103-001200	IC-EEPROM;M24C08-WBNG,1024x8Bit,DIP,8P;3	5	C309	2301-000254	C-FILM,PEF;39nF,5%,50V,TP,7.5x3.5x6.5mm,	
....4	JS701	3722-000183	JACK-SCART;21P,4mm,SN,BLK,NO	5	C310	2401-000223	C-AL;100nF,20%,50V,LL,TP,5x11mm,5mm	
....4	LD901	AA96-00555A	ASSY LED GUIDE;-;UJEX-LD-030,GREEN	S.N.A5	C312	2305-000149	C-FILM,MPEF;100nF,5%,100V,TP,12x12.5x6.5	
△	LR401S	AA27-00053A	COIL-LINEARLITY;-;193uH,DR10X10 C.4.35,7	5	C403	2401-000560	C-AL;1uF,20%,160V,GPTP,6.3x11.5	
△	LX801S	AA29-30001D	FILTER-LINE NOISE;SQ1913,-,6.0MH,0.8A,-	5	C406	2401-002619	C-AL;47uF,20%,25V,GPTP,5x11.5	
△	NT802S	1404-001045	THERMISTOR-NTC;4.7ohm,15%,2900K,35.0mW,T	5	C407	2301-000383	C-FILM,PEF;10nF,5%,50V,TP6x7x3.2mm,5mm	
△	P803S	1404-001156	THERMISTOR-PTC;90HM,+30%/-20%,220V,RMS,27	5	C408	2201-000599	C-CERAMIC,DISC;0.56nF,10%,500V,Y5P,TP5	
△	PC801S	0604-001032	PHOTO-COUPLER;TR,170-260%,300mV,DIP,4,ST	5	C420	2301-001065	C-FILM,MPPF;47nF,5%,630V,TP,19x15.5x7.7	
....4	RM901	AA32-00009A	MODULE REMOCON;FRP-3521H3,38KHZ,940NM,ME	5	C502	2301-000213	C-FILM,PEF;220nF,5%,250V,TP21.5x11.7,5	
....4	SF101S	2904-001143	FILTER-SAW AV;38.9MHz,SIP5K,ST,18dB,B/G,	5	C503	2201-000723	C-CERAMIC,DISC;4.7nF,20%,3KV,Y5U,TP,16x5	
....4	SF102S	2904-001224	FILTER-SAW AV;38.9MHz,SIP5K,ST,16.3dB,B/	5	C504	2401-001232	C-AL;4.7uF,20%,250V,GPTP,10x12.5,5	
△	SW801S	3403-001107	SWITCH-PUSH;250V,5A,DPST,-,KDC-A04	5	C505	2202-000825	C-CERAMIC,MLC-AXIAL;680pF,10%,50V,Y5P,TP	
△	T401	AA26-50001B	TRANS-HORIZ.DRIVE;-;7.1mH,-,102uH,	5	C506	2401-000430	C-AL;10uF,20%,250V,GPTP,10x16mm,5m	
△	TU01S	AA40-00070A	TUNER;TEDE9-203A,PAL,181CH,38.9MHz,750HM	5	C601	2401-001998	C-AL;1000uF,20%,50V,GPTP,10x20,5mm	
△	V999S	3704-001105	SOCKET-CRT;11P20PI,26.5PI,NI,-	5	C603	2305-000289	C-FILM,MPEF;220nF,5%,63V,TP,-,5mm	
....4		AA97-06873A	ASSY AUTO-MAIN;CS21S4SX/AWE,KS1A,NIGERIA	S.N.A5	C604	2401-000660	C-AL;2.2uF,20%,50V,GPTP,5x11.5	
....4	C101	2401-001101	C-AL;330uF,20%,16V,GPTP,8x11.5,5	5	C605	2401-000660	C-AL;2.2uF,20%,50V,GPTP,5x11.5	
....5	C102	2202-000279	C-CERAMIC,MLC-AXIAL;47pF,5%,50V,SL,TP,3	5	C606	2301-000383	C-FILM,PEF;10nF,5%,50V,TP,6x7x3.2mm,5mm	
....5	C103	2305-000665	C-FILM,MPEF;100nF,5%,63V,TP,7.5x4.0x5.0mm	5	C607	2305-000289	C-FILM,MPEF;220nF,5%,63V,TP,-,5mm	
				5	C610	2301-000383	C-FILM,PEF;10nF,5%,50V,TP,6x7x3.2mm,5mm	
				5	C611	2305-000289	C-FILM,MPEF;220nF,5%,63V,TP,-,5mm	
				5	C612	2401-000480	C-AL;10uF,20%,50V,GPTP,5x11.5	

Electrical Parts List

Level	Loc. No.	Code No.	Description ; Specification	Remark	Level	Loc. No.	Code No.	Description ; Specification	Remark
....5	C613	2305-000289	C-FILM,MPEF;220nF,5%,63V,TP,5mm	5	DZ302	0403-001221	DIODE-ZENER;UZ39BSB,35.36-37.19V,500mW,D	
....5	C618	2305-000665	C-FILM,MPEF;100nF,5%,63V,TP,7.5x4.0x5.0m	5	DZ303	0403-000700	DIODE-ZENER;TZP33A,33V,31-35V,1W,DO-41,T	
....5	C619	2305-000665	C-FILM,MPEF;100nF,5%,63V,TP,7.5x4.0x5.0m	5	DZ305	0403-001328	DIODE-ZENER;MTZJ22A,20.15-21.20V,500mW,D	
....5	C701	2202-000121	C-CERAMIC,MLC-AXIAL;100pF,10%,50V,Y5P,TP	5	DZ306	0403-000720	DIODE-ZENER;MTZJ9.1B,9.1V,8.57-9.01V,500	
....5	C702	2202-000210	C-CERAMIC,MLC-AXIAL;270pF,10%,50V,Y5P,TP	5	DZ307	0403-000720	DIODE-ZENER;MTZJ9.1B,9.1V,8.57-9.01V,500	
....5	C703	2202-000121	C-CERAMIC,MLC-AXIAL;100pF,10%,50V,Y5P,TP	5	DZ401	0403-000508	DIODE-ZENER;MTZJ5.6B,5.6V,5.45-5.73V,500	
....5	C704	2202-000121	C-CERAMIC,MLC-AXIAL;100pF,10%,50V,Y5P,TP	5	DZ402	0403-000508	DIODE-ZENER;MTZJ5.6B,5.6V,5.45-5.73V,500	
....5	C707	2301-000445	C-FILM,PEF;4.7nF,5%,50V,TP,5.5x7.3mm,5mm	5	DZ501	0403-000720	DIODE-ZENER;MTZJ9.1B,9.1V,8.57-9.01V,500	
....5	C802	2401-001192	C-AL;33uF,20%,50V,GP,TP,6.3x11.5	5	DZ502	0403-000720	DIODE-ZENER;MTZJ9.1B,9.1V,8.57-9.01V,500	
....5	C803	2305-000665	C-FILM,MPEF;100nF,5%,63V,TP,7.5x4.0x5.0m	5	DZ503	0403-000720	DIODE-ZENER;MTZJ9.1B,9.1V,8.57-9.01V,500	
....5	C804	2301-000224	C-FILM,PEF;22nF,5%,50V,TP,7.4x3.9x1.3mm,5	5	DZ504	0403-000720	DIODE-ZENER;MTZJ9.1B,9.1V,8.57-9.01V,500	
....5	C805	2301-000235	C-FILM,PEF;3.9nF,5%,50V,TP,6.5x3.0x5.5mm	5	DZ701	0403-000720	DIODE-ZENER;MTZJ9.1B,9.1V,8.57-9.01V,500	
....5	C806	2301-001435	C-FILM,PPF;1.5nF,5%,1.2kV,TP,15x8x12.5mm	5	DZ702	0403-000720	DIODE-ZENER;MTZJ9.1B,9.1V,8.57-9.01V,500	
....5	C810	2301-000192	C-FILM,PEF;1nF,5%,50V,TP,5.3x10mm,5mm	5	DZ703	0403-000720	DIODE-ZENER;MTZJ9.1B,9.1V,8.57-9.01V,500	
....5	C811	2201-000991	C-CERAMIC,DISC;0.56nF,10%,2kV,Y5P,TP,7.5	5	DZ704	0403-000720	DIODE-ZENER;MTZJ9.1B,9.1V,8.57-9.01V,500	
....5	C812	2401-000262	C-AL;100uF,20%,160V,HR,TP,16x25,7.5	5	DZ801	0403-001140	DIODE-ZENER;RD10ESAB-T4,10V,9.19-10.30V,	
....5	C813	2401-000290	C-AL;47uF,20%,160V,GP,TP,13x20,5	5	DZ802	0403-001318	DIODE-ZENER;MTZJ4.3B,4.1V-4.43V,500mW,DO	
....5	C814	2201-000991	C-CERAMIC,DISC;0.56nF,10%,2kV,Y5P,TP,7.5	5	DZ803	0403-000699	DIODE-ZENER;TZP27B,27V,27-30.8V,1W,DO-41	
....5	C816	2201-000375	C-CERAMIC,DISC;0.22nF,5%,50V,RH,TP,12.5x	5	DZ804	0403-000720	DIODE-ZENER;MTZJ9.1B,9.1V,8.57-9.01V,500	
....5	C817	2401-000302	C-AL;100uF,20%,25V,GP,TP,6.3x11.5	5	DZ805	0403-001327	DIODE-ZENER;MTZJ18A,16.22-17.06V,500mW,D	
....5	C818	2401-003028	C-AL;100uF,20%,25V,WT,TP,6.3x11.5	5	DZ806	0403-001317	DIODE-ZENER;MTZJ3.0B,3.01-3.22V,500mW,DO	
....5	C819	2305-000665	C-FILM,MPEF;100nF,5%,63V,TP,7.5x4.0x5.0m	5	DZ807	0403-000508	DIODE-ZENER;MTZJ5.6B,5.6V,5.45-5.73V,500	
....5	C820	2401-000480	C-AL;10uF,20%,50V,GP,TP,5x11.5	5	DZ808	0403-000720	DIODE-ZENER;MTZJ9.1B,9.1V,8.57-9.01V,500	
....5	C821	2401-003028	C-AL;100uF,20%,25V,WT,TP,6.3x11.5	5	DZ809	0403-000508	DIODE-ZENER;MTZJ5.6B,5.6V,5.45-5.73V,500	
....5	C822	2401-000711	C-AL;2200uF,20%,25V,GP,TP,16x25,7.5	5	DZ810	0403-000508	DIODE-ZENER;MTZJ5.6B,5.6V,5.45-5.73V,500	
....5	C823	2401-000302	C-AL;100uF,20%,25V,GP,TP,6.3x11.5	5	DZ901	0403-001319	DIODE-ZENER;MTZJ4.7C,4.68-4.93V,500mW,DO	
....5	C825	2401-003028	C-AL;100uF,20%,25V,WT,TP,6.3x11.5	5	DZ903	0403-000508	DIODE-ZENER;MTZJ5.6B,5.6V,5.45-5.73V,500	
....5	C827	2401-000927	C-AL;22uF,20%,250V,GP,TP,13x20,5	5	DZ904	0403-000508	DIODE-ZENER;MTZJ5.6B,5.6V,5.45-5.73V,500	
....5	C903	2401-001840	C-AL;100uF,20%,16V,GP,TP,6.3x11.5	5	DZ905	0403-000508	DIODE-ZENER;MTZJ5.6B,5.6V,5.45-5.73V,500	
....5	C904	2301-000383	C-FILM,PEF;10nF,5%,50V,TP,6x7x3.2mm,5mm	5	DZ906	0403-001319	DIODE-ZENER;MTZJ4.7C,4.68-4.93V,500mW,DO	
....5	C906	2202-000796	C-CERAMIC,MLC-AXIAL;1nF,10%,50V,Y5P,TP,3	5	DZ907	0403-001319	DIODE-ZENER;MTZJ4.7C,4.68-4.93V,500mW,DO	
....5	C908	2201-000573	C-CERAMIC,DISC;0.047nF,5%,50V,NP,0,TP,5x3	5	DZ908	0403-001319	DIODE-ZENER;MTZJ4.7C,4.68-4.93V,500mW,DO	
....5	C909	2201-000573	C-CERAMIC,DISC;0.047nF,5%,50V,NP,0,TP,5x3	5	EL301	AA60-40011B	EYELET;ID2.0,OD3.2,-,BSP,	S.N.A
....5	C910	2401-001840	C-AL;100uF,20%,16V,GP,TP,6.3x11.5	5	EL302	AA60-40011B	EYELET;ID2.0,OD3.2,-,BSP,	S.N.A
....5	C911	2202-000632	C-CERAMIC,MLC-AXIAL;100nF,20%,50V,Z5U,TP	5	EL403	AA60-40011B	EYELET;ID2.0,OD3.2,-,BSP,	S.N.A
....5	C912	2202-000121	C-CERAMIC,MLC-AXIAL;100pF,10%,50V,Y5P,TP	5	EL404	AA60-40011B	EYELET;ID2.0,OD3.2,-,BSP,	S.N.A
....5	C913	2305-000665	C-FILM,MPEF;100nF,5%,63V,TP,7.5x4.0x5.0m	5	EL407	AA60-40011B	EYELET;ID2.0,OD3.2,-,BSP,	S.N.A
....5	C915	2401-000302	C-AL;100uF,20%,25V,GP,TP,6.3x11.5	5	EL408	AA60-40011B	EYELET;ID2.0,OD3.2,-,BSP,	S.N.A
....5	CN602	3711-002643	CONNECTOR-HEADER;BOX,4P,1R,2.5mm,STRAIGH	5	EL501	AA60-40011B	EYELET;ID2.0,OD3.2,-,BSP,	S.N.A
....5	CN707A	3711-002645	CONNECTOR-HEADER;BOX,6P,1R,2.5mm,STRAIGH	5	EL502	AA60-40011B	EYELET;ID2.0,OD3.2,-,BSP,	S.N.A
△	CR404S	2201-000639	C-CERAMIC,DISC;0.68nF,10%,2kV,Y5P,TP,9x5	5	EL601	AA60-40011B	EYELET;ID2.0,OD3.2,-,BSP,	S.N.A
△	CR405S	2305-000382	C-FILM,MPEF;4.7nF,5%,400V,TP,5mm	5	EL602	AA60-40011B	EYELET;ID2.0,OD3.2,-,BSP,	S.N.A
△	CR408S	2201-002028	C-CERAMIC,DISC;0.47nF,10%,2kV,Y5P,TP,7.5	5	EL801	AA60-40011B	EYELET;ID2.0,OD3.2,-,BSP,	S.N.A
....5	D101	0401-000005	DIODE-SWITCHING;1N4148,100V,200mA,DO-35,	5	EL802	AA60-40011B	EYELET;ID2.0,OD3.2,-,BSP,	S.N.A
....5	D103	0401-000005	DIODE-SWITCHING;1N4148,100V,200mA,DO-35,	5	EL804	AA60-40011B	EYELET;ID2.0,OD3.2,-,BSP,	S.N.A
....5	D201	0401-000005	DIODE-SWITCHING;1N4148,100V,200mA,DO-35,	5	EY101	AA60-40011A	EYELET;ID2.0,OD2.8,-,BST,	S.N.A
....5	D301	0402-001105	DIODE-RECTIFIER;ERB43-04SV1,400V,1.0A,-,	5	EY401	AA60-40011A	EYELET;ID2.0,OD2.8,-,BST,	S.N.A
....5	D302	0402-001352	DIODE-RECTIFIER;GUF15G-20A,400V,1.5A,DO-	5	EY402	AA60-40011A	EYELET;ID2.0,OD2.8,-,BST,	S.N.A
....5	D303	0402-000132	DIODE-RECTIFIER;1N4004,400V,1A,DO-41,TP	5	EY403	AA60-40011A	EYELET;ID2.0,OD2.8,-,BST,	S.N.A
....5	D304	0402-001105	DIODE-RECTIFIER;ERB43-04SV1,400V,1.0A,-,	5	EY404	AA60-40011A	EYELET;ID2.0,OD2.8,-,BST,	S.N.A
....5	D305	0401-000005	DIODE-SWITCHING;1N4148,100V,200mA,DO-35,	5	EY405	AA60-40011A	EYELET;ID2.0,OD2.8,-,BST,	S.N.A
△	D401	0402-001105	DIODE-RECTIFIER;ERB43-04SV1,400V,1.0A,-,	5	EY406	AA60-40011A	EYELET;ID2.0,OD2.8,-,BST,	S.N.A
....5	D501	0402-000254	DIODE-RECTIFIER;RGP10J,600V,1A,DO-41,TP	5	EY407	AA60-40011A	EYELET;ID2.0,OD2.8,-,BST,	S.N.A
....5	D502	0402-001105	DIODE-RECTIFIER;ERB43-04SV1,400V,1.0A,-,	5	EY408	AA60-40011A	EYELET;ID2.0,OD2.8,-,BST,	S.N.A
....5	D503	0402-001105	DIODE-RECTIFIER;ERB43-04SV1,400V,1.0A,-,	5	EY409	AA60-40011A	EYELET;ID2.0,OD2.8,-,BST,	S.N.A
....5	D504	0402-001105	DIODE-RECTIFIER;ERB43-04SV1,400V,1.0A,-,	5	EY410	AA60-40011A	EYELET;ID2.0,OD2.8,-,BST,	S.N.A
△	D801S	0402-001111	DIODE-RECTIFIER;1N5397GP,600V,1.5A,DO-20	5	EY411	AA60-40011A	EYELET;ID2.0,OD2.8,-,BST,	S.N.A
△	D802	0402-001111	DIODE-RECTIFIER;1N5397GP,600V,1.5A,DO-20	5	EY412	AA60-40011A	EYELET;ID2.0,OD2.8,-,BST,	S.N.A
△	D802S	0402-001111	DIODE-RECTIFIER;1N5397GP,600V,1.5A,DO-20	5	EY414	AA60-40011A	EYELET;ID2.0,OD2.8,-,BST,	S.N.A
△	D803	0402-000254	DIODE-RECTIFIER;RGP10J,600V,1A,DO-41,TP	5	EY415	AA60-40011A	EYELET;ID2.0,OD2.8,-,BST,	S.N.A
△	D803S	0402-001111	DIODE-RECTIFIER;1N5397GP,600V,1.5A,DO-20	5	EY416	AA60-40011A	EYELET;ID2.0,OD2.8,-,BST,	S.N.A
△	D804	0401-000005	DIODE-SWITCHING;1N4148,100V,200mA,DO-35,	5	EY417	AA60-40011A	EYELET;ID2.0,OD2.8,-,BST,	S.N.A
△	D804S	0402-001111	DIODE-RECTIFIER;1N5397GP,600V,1.5A,DO-20	5	EY419	AA60-40011A	EYELET;ID2.0,OD2.8,-,BST,	S.N.A
△	D805	0402-000540	DIODE-RECTIFIER;RU20A,600V,1.5A,-,TP	5	EY420	AA60-40011A	EYELET;ID2.0,OD2.8,-,BST,	S.N.A
△	D808	0401-000005	DIODE-SWITCHING;1N4148,100V,200mA,DO-35,	5	EY421	AA60-40011A	EYELET;ID2.0,OD2.8,-,BST,	S.N.A
△	D809	0402-000132	DIODE-RECTIFIER;1N4004,400V,1A,DO-41,TP	5	EY422	AA60-40011A	EYELET;ID2.0,OD2.8,-,BST,	S.N.A
△	D811	0401-000005	DIODE-SWITCHING;1N4148,100V,200mA,DO-35,	5	EY423	AA60-40011A	EYELET;ID2.0,OD2.8,-,BST,	S.N.A
△	D812	0402-001105	DIODE-RECTIFIER;ERB43-04SV1,400V,1.0A,-,	5	EY501	AA60-40011A	EYELET;ID2.0,OD2.8,-,BST,	S.N.A
....5	D901	0401-000005	DIODE-SWITCHING;1N4148,100V,200mA,DO-35,	5	EY801	AA60-40011A	EYELET;ID2.0,OD2.8,-,BST,	S.N.A
....5	DZ101	0403-000700	DIODE-ZENER;TZP33A,33V,31-35V,1W,DO-41,T	5	EY802	AA60-40011A	EYELET;ID2.0,OD2.8,-,BST,	S.N.A
....5	DZ201	0403-000720	DIODE-ZENER;MTZJ9.1B,9.1V,8.57-9.01V,500	5	EY803	AA60-40011A	EYELET;ID2.0,OD2.8,-,BST,	S.N.A
....5	DZ203	0403-001322	DIODE-ZENER;MTZJ8.2B,7.78-8.19V,500mW,DO	5	EY807	AA60-40011A	EYELET;ID2.0,OD2.8,-,BST,	S.N.A
....5	DZ204	0403-000720	DIODE-ZENER;MTZJ9.1B,9.1V,8.57-9.01V,500	5	EY808	AA60-40011A	EYELET;ID2.0,OD2.8,-,BST,	S.N.A
....5	DZ205	0403-000720	DIODE-ZENER;MTZJ9.1B,9.1V,8.57-9.01V,500	5	EY809	AA60-40011A	EYELET;ID2.0,OD2.8,-,BST,	S.N.A
....5	DZ207	0403-000720	DIODE-ZENER;MTZJ9.1B,9.1V,8.57-9.01V,500	5	EY810	AA60-40011A	EYELET;ID2.0,OD2.8,-,BST,	S.N.A
....5	DZ301	0403-001328	DIODE-ZENER;MTZJ22A,20.15-21.20V,500mW,D	5	EY813	AA60-40011A	EYELET;ID2.0,OD2.8,-,BST,	S.N.A

Level	Loc. No.	Code No.	Description ; Specification	Remark	Level	Loc. No.	Code No.	Description ; Specification	Remark
....5	EY818	AA60-40011A	EYELET;ID2.0,OD2.8,-,-,BST-	S.N.A5	Q402	0501-000369	TR-SMALL SIGNAL;KSC2331-Y,NPN,1000mW,TO-	
....5	EY819	AA60-40011A	EYELET;ID2.0,OD2.8,-,-,BST-	S.N.A5	Q802	0501-000389	TR-SMALL SIGNAL;KSC815,NPN,400mW,TO-92,T	
....5	EY821	AA60-40011A	EYELET;ID2.0,OD2.8,-,-,BST-	S.N.A5	Q803	0502-000242	TR-POWER;KSA614,PNP,25W,TO-220,TP,40-24	
....5	EY822	AA60-40011A	EYELET;ID2.0,OD2.8,-,-,BST-	S.N.A5	Q901	0501-000283	TR-SMALL SIGNAL;KSA539,PNP,400mW,TO-92,T	
....5	EY823	AA60-40011A	EYELET;ID2.0,OD2.8,-,-,BST-	S.N.A5	Q902	0504-000123	TR-DIGITAL;KSR1010,NPN,300mW,10K,TO-92,T	
....5	EY824	AA60-40011A	EYELET;ID2.0,OD2.8,-,-,BST-	S.N.A5	Q903	0501-000389	TR-SMALL SIGNAL;KSC815,NPN,400mW,TO-92,T	
....5	EY825	AA60-40011A	EYELET;ID2.0,OD2.8,-,-,BST-	S.N.A5	Q905	0501-000389	TR-SMALL SIGNAL;KSC815,NPN,400mW,TO-92,T	
....5	EY827	AA60-40011A	EYELET;ID2.0,OD2.8,-,-,BST-	S.N.A5	R103	2001-000008	R-CARBON;15KOHM,5%,1/8W,AA,TP,1.8X3.2MM	
....5	EY828	AA60-40011A	EYELET;ID2.0,OD2.8,-,-,BST-	S.N.A5	R104	2001-000429	R-CARBON;1KOHM,5%,1/8W,AA,TP,1.8X3.2MM	
....5	EY829	AA60-40011A	EYELET;ID2.0,OD2.8,-,-,BST-	S.N.A5	R105	2001-000577	R-CARBON;2KOHM,5%,1/8W,AA,TP,1.8X3.2MM	
....5	EY830	AA60-40011A	EYELET;ID2.0,OD2.8,-,-,BST-	S.N.A5	R106	2001-000290	R-CARBON;10KOHM,5%,1/8W,AA,TP,1.8X3.2MM	
....5	EY833	AA60-40011A	EYELET;ID2.0,OD2.8,-,-,BST-	S.N.A5	R108	2001-000947	R-CARBON;7.5KOHM,5%,1/8W,AA,TP,1.8X3.2MM	
....5	EY850	AA60-40011A	EYELET;ID2.0,OD2.8,-,-,BST-	S.N.A5	R109	2001-000786	R-CARBON;47KOHM,5%,1/8W,AA,TP,1.8X3.2MM	
....5	EY851	AA60-40011A	EYELET;ID2.0,OD2.8,-,-,BST-	S.N.A5	R110	2001-000924	R-CARBON;680OHM,5%,1/8W,AA,TP,1.8X3.2MM	
....5	EY852	AA60-40011A	EYELET;ID2.0,OD2.8,-,-,BST-	S.N.A5	R111	2001-000008	R-CARBON;15KOHM,5%,1/8W,AA,TP,1.8X3.2MM	
....5	EY853	AA60-40011A	EYELET;ID2.0,OD2.8,-,-,BST-	S.N.A5	R112	2001-000577	R-CARBON;2KOHM,5%,1/8W,AA,TP,1.8X3.2MM	
....5	EY860	AA60-40011A	EYELET;ID2.0,OD2.8,-,-,BST-	S.N.A5	R113	2001-000429	R-CARBON;1KOHM,5%,1/8W,AA,TP,1.8X3.2MM	
....5	EY861	AA60-40011A	EYELET;ID2.0,OD2.8,-,-,BST-	S.N.A5	R114	2001-000290	R-CARBON;10KOHM,5%,1/8W,AA,TP,1.8X3.2MM	
....5	F801A	3602-000114	FUSE-HOLDER;-,30mohm	5	R117	2001-000924	R-CARBON;680OHM,5%,1/8W,AA,TP,1.8X3.2MM	
....5	F801B	3602-000114	FUSE-HOLDER;-,30mohm	5	R202	2001-000689	R-CARBON;390KOHM,5%,1/8W,AA,TP,1.8X3.2MM	
....5	FD801S	3601-001163	FUSE-AXIAL LEAD;125V,7A,-,EPOXY,2.4X7.1MM	S.N.A5	R203	2001-000857	R-CARBON;560OHM,5%,1/8W,AA,TP,1.8X3.2MM	
....5	GT101	AA60-40014A	PIN-GT,ASSY;1P,-,AUTO	S.N.A5	R204	2001-000857	R-CARBON;560OHM,5%,1/8W,AA,TP,1.8X3.2MM	
....5	GT301	AA60-40014A	PIN-GT,ASSY;1P,-,AUTO	S.N.A5	R205	2001-000011	R-CARBON;75KOHM,5%,1/8W,AA,TP,1.8X3.2MM	
....5	GT302	AA60-40014A	PIN-GT,ASSY;1P,-,AUTO	S.N.A5	R206	2001-000563	R-CARBON;27KOHM,5%,1/8W,AA,TP,1.8X3.2MM	
....5	GT401	AA60-40014A	PIN-GT,ASSY;1P,-,AUTO	S.N.A5	R207	2001-000005	R-CARBON;390ohm,5%,1/8W,AA,TP,1.8x3.2mm	
....5	GT402	AA60-40014A	PIN-GT,ASSY;1P,-,AUTO	S.N.A5	R208	2001-000591	R-CARBON;3.3KOHM,5%,1/8W,AA,TP,1.8X3.2MM	
....5	GT501	AA60-40014A	PIN-GT,ASSY;1P,-,AUTO	S.N.A5	R209	2001-000793	R-CARBON;47OHM,5%,1/8W,AA,TP,1.8X3.2MM	
....5	GT502	AA60-40014A	PIN-GT,ASSY;1P,-,AUTO	S.N.A5	R210	2001-000857	R-CARBON;560OHM,5%,1/8W,AA,TP,1.8X3.2MM	
....5	GT801	AA60-40014A	PIN-GT,ASSY;1P,-,AUTO	S.N.A5	R211	2001-000281	R-CARBON;100OHM,5%,1/8W,AA,TP,1.8X3.2MM	
....5	GT802	AA60-40014A	PIN-GT,ASSY;1P,-,AUTO	S.N.A5	R212	2001-000405	R-CARBON;180OHM,5%,1/8W,AA,TP,1.8X3.2MM	
....5	GT803	AA60-40014A	PIN-GT,ASSY;1P,-,AUTO	S.N.A5	R213	2001-000938	R-CARBON;680OHM,5%,1/8W,AA,TP,1.8X3.2MM	
....5	GT804	AA60-40014A	PIN-GT,ASSY;1P,-,AUTO	S.N.A5	R214	2001-000325	R-CARBON;120OHM,5%,1/8W,AA,TP,1.8X3.2MM	
....5	GT805	AA60-40014A	PIN-GT,ASSY;1P,-,AUTO	S.N.A5	R215	2001-000281	R-CARBON;100OHM,5%,1/8W,AA,TP,1.8X3.2MM	
....5	GT806	AA60-40014A	PIN-GT,ASSY;1P,-,AUTO	S.N.A5	R218	2001-000008	R-CARBON;15KOHM,5%,1/8W,AA,TP,1.8X3.2MM	
....5	GT807	AA60-40014A	PIN-GT,ASSY;1P,-,AUTO	S.N.A5	R219	2004-001914	R-METAL;39Kohm,2%,1/8W,AA,TP,1.8x3.5mm	
....5	HIC01	AA13-20004W	IC-HYBRID;-,PAP103T,SIP,6PP,PRE-AMP,TP	5	R222	2001-000947	R-CARBON;7.5KOHM,5%,1/8W,AA,TP,1.8X3.2MM	
....5	IC803	1203-001217	IC-POS,ADJUST REG,431,TO-92,3P4.58MIL	5	R223	2001-000281	R-CARBON;100OHM,5%,1/8W,AA,TP,1.8X3.2MM	
....5	J125	2001-000016	R-CARBON(S);10HM,5%,1/2W,AA,TP,2.4X6.4MM	5	R224	2001-000290	R-CARBON;10KOHM,5%,1/8W,AA,TP,1.8X3.2MM	
....5	J137	2001-000281	R-CARBON;100OHM,5%,1/8W,AA,TP,1.8X3.2MM	5	R225	2001-000281	R-CARBON;100OHM,5%,1/8W,AA,TP,1.8X3.2MM	
....5	J142	2701-000115	INDUCTOR-AXIAL;10uH,10%,3x7mm	5	R227	2001-000739	R-CARBON;4.7MOHM,5%,1/8W,AA,TP,1.8X3.2MM	
....5	J910	3301-000287	CORE-FERRITE BEAD;AA,3.5x1.0x6.0mm,1500,	5	R228	2001-000739	R-CARBON;4.7MOHM,5%,1/8W,AA,TP,1.8X3.2MM	
....5	L101	2701-000326	INDUCTOR-AXIAL;560nH,10%,2.3x3.4mm	5	R230	2001-000221	R-CARBON;1.2KOHM,5%,1/8W,AA,TP,1.8X3.2MM	
....5	L102	2701-000159	INDUCTOR-AXIAL;22uH,10%,4.2x9.8mm	5	R301	2001-000016	R-CARBON(S);1OHM,5%,1/2W,AA,TP,2.4X6.4MM	
....5	L103	2701-000114	INDUCTOR-AXIAL;10uH,10%,2.5x3.4mm	5	R302	2004-004366	R-METAL(S);1.3Kohm,1%,1/2W,AA,TP,2.5x6.5	
....5	L104	2701-000168	INDUCTOR-AXIAL;3.3uH,5%,2.5x3.4mm	5	R303	2003-002070	R-METAL OXIDE;1ohm,5%,2W,AF,TP,3.9x10mm	
....5	L201	2701-000159	INDUCTOR-AXIAL;22uH,10%,4.2x9.8mm	5	R304	2008-000253	R-FUSIBLE(S);0.47ohm,5%,1W,AF,TP,3.9x10mm	
....5	L202	2701-000114	INDUCTOR-AXIAL;10uH,10%,2.5x3.4mm	5	R305	2008-000253	R-FUSIBLE(S);0.47ohm,5%,1W,AF,TP,3.9x10mm	
....5	L203	2701-000127	INDUCTOR-AXIAL;15uH,10%,2.5x3.4mm	5	R306	2004-004366	R-METAL(S);1.3Kohm,1%,1/2W,AA,TP,2.5x6.5	
....5	L204	2701-000184	INDUCTOR-AXIAL;4.7uH,10%,2.5x3.4mm	5	R307	2001-000290	R-CARBON;10KOHM,5%,1/8W,AA,TP,1.8X3.2MM	
....5	L205	2701-000159	INDUCTOR-AXIAL;22uH,10%,4.2x9.8mm	5	R308	2001-001093	R-CARBON(S);2.2KOHM,5%,1/2W,AA,TP,2.4X6.4	
....5	L301	2701-000142	INDUCTOR-AXIAL;1uH,10%,2.5x3.4mm	5	R313	2001-000258	R-CARBON;1.8KOHM,5%,1/8W,AA,TP,1.8X3.2MM	
....5	L302	2701-000142	INDUCTOR-AXIAL;1uH,10%,2.5x3.4mm	5	R314	2003-000537	R-METAL OXIDE(S);1Kohm,5%,1W,AF,TP,3.9x9	
....5	L403	2901-000297	FILTER-EMI ON BOARD;-,3A,-,-,3.5x5,TP-	5	R315	2003-002009	R-METAL OXIDE(S);390ohm,5%,2W,AF,TP,3.9x	
....5	L404	2701-000142	INDUCTOR-AXIAL;1uH,10%,2.5x3.4mm	5	R316	2003-002009	R-METAL OXIDE(S);390ohm,5%,2W,AF,TP,3.9x	
....5	L405	2701-000159	INDUCTOR-AXIAL;22uH,10%,4.2x9.8mm	5	R402	2003-002178	R-METAL OXIDE(S);1Kohm,5%,2W,AG,TP,3.9x1	
....5	L701	2701-000184	INDUCTOR-AXIAL;4.7uH,10%,2.5x3.4mm	5	R403	2003-000784	R-METAL OXIDE(S);7.5Kohm,5%,2W,AF,TP,4x1	
....5	L702	2701-000184	INDUCTOR-AXIAL;4.7uH,10%,2.5x3.4mm	5	R405	2001-001116	R-CARBON(S);27OHM,5%,1/2W,AA,TP,2.4X6.4MM	
....5	L703	2701-000184	INDUCTOR-AXIAL;4.7uH,10%,2.5x3.4mm	5	R407	2003-002209	R-METAL OXIDE(S);47Kohm,5%,2W,AG,TP,3.9X	
....5	L704	2701-000184	INDUCTOR-AXIAL;4.7uH,10%,2.5x3.4mm	5	R408	2001-001037	R-CARBON(S);0.390HM,5%,1/2W,AA,TP,2.4X6.4	
....5	L802	3301-000287	CORE-FERRITE BEAD;AA,3.5x1.0x6.0mm,1500,	5	R409	2001-000022	R-CARBON(S);33OHM,5%,1/2W,AA,TP,2.4X6.4MM	
....5	L803	3301-000287	CORE-FERRITE BEAD;AA,3.5x1.0x6.0mm,1500,	5	R411	2001-001114	R-CARBON(S);270OHM,5%,1/2W,AA,TP,2.4X6.4	
....5	L804	2701-001030	INDUCTOR-AXIAL;43uH,10%,5x14mm	5	R413	2003-002130	R-METAL OXIDE(S);15ohm,5%,2W,AF,TP,3.9x1	
....5	L806	2901-000297	FILTER-EMI ON BOARD;-,3A,-,-,3.5x5,TP-	5	R414	2001-001078	R-CARBON(S);15KOHM,5%,1/2W,AA,TP,2.4X6.4	
....5	L807	2701-001030	INDUCTOR-AXIAL;43uH,10%,5x14mm	5	R420	2008-001110	R-FUSIBLE(S);68ohm,5%,2W,AG,TP,3.9X12mm	
....5	L808	2901-000297	FILTER-EMI ON BOARD;-,3A,-,-,3.5x5,TP-	5	R421	2008-001114	R-FUSIBLE(S);1.5ohm,5%,2W,AG,TP,3.9x12mm	
....5	L902	2701-000114	INDUCTOR-AXIAL;10uH,10%,2.5x3.4mm	5	R423	2004-001373	R-METAL(S);100Kohm,1%,1/2W,AA,TP,2.4x6.4	
....5	L903	2701-000158	INDUCTOR-AXIAL;22uH,10%,2.5x3.4mm	5	R424	2004-001402	R-METAL(S);6.8Kohm,1%,1/2W,AA,TP,2.4x6.4	
....5	L904	2701-000114	INDUCTOR-AXIAL;10uH,10%,2.5x3.4mm	5	R501	2001-000281	R-CARBON;100OHM,5%,1/8W,AA,TP,1.8X3.2MM	
....5	PCB	AA41-00131H	PCB-MAIN;CS21D8,FR-1,1L,H,1.6T,245X245,K	S.N.A5	R501H	2002-001008	R-COMPOSITION;1.8Kohm,10%,1/2W,AA,TP,3.7	
....5	Q101	0501-000389	TR-SMALL SIGNAL;KSC815,NPN,400mW,TO-92,T	5	R502	2001-000281	R-CARBON;100OHM,5%,1/8W,AA,TP,1.8X3.2MM	
....5	Q102	0501-000389	TR-SMALL SIGNAL;KSC815,NPN,400mW,TO-92,T	5	R502H	2002-001008	R-COMPOSITION;1.8Kohm,10%,1/2W,AA,TP,3.7	
....5	Q201	0501-000283	TR-SMALL SIGNAL;KSA539,PNP,400mW,TO-92,T	5	R503	2002-001008	R-COMPOSITION;1.8Kohm,10%,1/2W,AA,TP,3.7	
....5	Q202	0501-000389	TR-SMALL SIGNAL;KSC815,NPN,400mW,TO-92,T	5	R504	2001-001062	R-CARBON(S);10MOHM,5%,1/2W,AA,TP,2.4X6.4	
....5	Q203	0501-000283	TR-SMALL SIGNAL;KSA539,PNP,400mW,TO-92,T	5	R505	2008-001011	R-FUSIBLE(S);0.18ohm,10%,2W,AF,TP,3.9x12	
....5	Q204	0501-000389	TR-SMALL SIGNAL;KSC815,NPN,400mW,TO-92,T	5	R506	2001-000281	R-CARBON;100OHM,5%,1/8W,AA,TP,1.8X3.2MM	
....5	Q205	0501-000389	TR-SMALL SIGNAL;KSC815,NPN,400mW,TO-92,T	5	R510	2001-000281	R-CARBON;100OHM,5%,1/8W,AA,TP,1.8X3.2MM	
....5	Q301	0501-000283	TR-SMALL SIGNAL;KSA539,PNP,400mW,TO-92,T	5	R511	2001-000281	R-CARBON;100OHM,5%,1/8W,AA,TP,1.8X3.2MM	

Level	Loc. No.	Code No.	Description ; Specification	Remark	Level	Loc. No.	Code No.	Description ; Specification	Remark
....5	R512	2001-000281	R-CARBON;1000HM,5%,1/8W,AA,TP1.8X3.2MM	5	R933	2001-000281	R-CARBON;1000HM,5%,1/8W,AA,TP1.8X3.2MM	
....5	R601	2001-000878	R-CARBON;6.2KOHM,5%,1/8W,AA,TP1.8X3.2MM	5	R934	2001-000281	R-CARBON;1000HM,5%,1/8W,AA,TP1.8X3.2MM	
....5	R602	2001-000472	R-CARBON;2.7KOHM,5%,1/8W,AA,TP1.8X3.2MM	5	RW701	2011-001133	R-NETWORK;33K/24K/75x3,5%,1/8W,X,SIP6P	
....5	R605	2001-000472	R-CARBON;2.7KOHM,5%,1/8W,AA,TP1.8X3.2MM		△	RX801S	2002-001011	R-COMPOSITION;3.3Mohm,5%,1/2W,AA,TP3.7x	
....5	R607	2001-000878	R-CARBON;6.2KOHM,5%,1/8W,AA,TP1.8X3.2MM		△	RY801S	2002-001012	R-COMPOSITION;8.2Mohm,5%,1/2W,AA,TP3.7x	
....5	R618	2001-000019	R-CARBON(S);100HM,5%,1/2W,AA,TP2.4X6.4M	5	SW901	3404-000244	SWITCH-TACT;15V,20mA,90-170gf,7.5x7mm,SP	
....5	R619	2001-000019	R-CARBON(S);100HM,5%,1/2W,AA,TP2.4X6.4M	5	SW902	3404-000244	SWITCH-TACT;15V,20mA,90-170gf,7.5x7mm,SP	
....5	R702	2001-000969	R-CARBON;750HM,5%,1/8W,AA,TP1.8X3.2MM	5	SW903	3404-000244	SWITCH-TACT;15V,20mA,90-170gf,7.5x7mm,SP	
....5	R712	2001-000857	R-CARBON;5600HM,5%,1/8W,AA,TP1.8X3.2MM	5	SW904	3404-000244	SWITCH-TACT;15V,20mA,90-170gf,7.5x7mm,SP	
....5	R715	2001-000857	R-CARBON;5600HM,5%,1/8W,AA,TP1.8X3.2MM	5	SW905	3404-000244	SWITCH-TACT;15V,20mA,90-170gf,7.5x7mm,SP	
....5	R718	2001-000281	R-CARBON;1000HM,5%,1/8W,AA,TP1.8X3.2MM	5	T101	AA26-00025A	TRANS-IF;7MG,--,10pF,-58.35MHz,7.7x7	
....5	R719	2001-000969	R-CARBON;750HM,5%,1/8W,AA,TP1.8X3.2MM		△	VX801S	1405-000187	VARISTOR;750V,1250A,12.5x7mm,TP	
....5	R720	2001-000969	R-CARBON;750HM,5%,1/8W,AA,TP1.8X3.2MM	5	X901	2801-003937	CRYSTAL-UNIT;12MHz,25ppm,28-AAAM,30pF,30o	
....5	R801	2003-002171	R-METAL OXIDE(S);150ohm,5%,2W,AG,TP3.9x	5	Z201	2903-000129	FILTER-CERAMIC;BR,4.5MHz,--,TP-	
....5	R803	2003-000994	R-METAL OXIDE(S);33Kohm,5%,2W,AF,TP3.9x	5	Z202	2903-001240	FILTER-CERAMIC;TR,5.5MHz,-,28dB,-,TP-	
....5	R804	2003-000994	R-METAL OXIDE(S);33Kohm,5%,2W,AF,TP3.9x	5	Z203	2903-001246	FILTER-CERAMIC;TR,5.5MHz,--,TPmulti	
....5	R805	2001-001170	R-CARBON(S);6.80HM,5%,1/2W,AA,TP2.4X6.4		..3	AA65-30111A	CLAMP-WIRE ALL MODEL,NYLON,VO,-,WHT,1T1	S.N.A	
....5	R808	2001-000109	R-CARBON(S);4700HM,5%,1/2W,AA,TP2.4X6.4		..3	AA95-01763A	ASSY SUB-PCB LINE STEREO;20S4,C5,15A9,K8	S.N.A	
....5	R809	2001-001150	R-CARBON(S);470KOHM,5%,1/2W,AA,TP2.4X6.4		..4	CN702	AA39-00095A	LEAD CONNECTOR-ASSY;3(2P)YBNH250-03,35	
....5	R810	2001-001150	R-CARBON(S);470KOHM,5%,1/2W,AA,TP2.4X6.4		..4	CN705	3711-002708	CONNECTOR-HEADER;NOWALL,10P1R,2.5mm,ANG	
....5	R814	2008-001113	R-FUSIBLE(S);0.22ohm,10%,2W,AG,TP3.9x12		..4	CN706	3711-002706	CONNECTOR-HEADER;NOWALL,8P1R,2.5mm,ANGL	
....5	R815	2008-001113	R-FUSIBLE(S);0.22ohm,10%,2W,AG,TP3.9x12		..4	CN707	AA39-00276A	LEAD CONNECTOR ASSY;UL1185#26,UL/CSA 6P	
....5	R817	2004-004089	R-METAL(S);123Kohm,1%,1/2W,AA,TP2.5x6.5		..4	ICS01	1204-001639	IC-SOUND PROCESSOR;BSP3505D-B3,DFI52P-	
....5	R818	2004-001399	R-METAL(S);5.1Kohm,1%,1/2W,AA,TP2.4X6.4		..4	XS01	2801-003903	CRYSTAL-UNIT;18.432MHz,25ppm,28-AAAM,12pF	
....5	R819	2004-001390	R-METAL(S);1Kohm,2%,1/2W,AA,TP2.4x6.4mm		..4	AA97-05525A	ASSY AUTO-SUB;20S4,C5,15A9,K8,S1,KS1A,LI	S.N.A	
....5	R821	2001-001125	R-CARBON(S);300KOHM,5%,1/2W,AA,TP2.4X6.4	5	CS01	2201-000180	C-CERAMIC,DISC;10nf,10%,50V,Y5V,TP7x3,5	
....5	R822	2004-001983	R-METAL(S);2.49Kohm,1%,1/2W,AA,TP2.4x6.4	5	CS03	2401-002594	C-AL;220uF,20%,16V,GPTP8x11,5,5	
....5	R823	2001-000037	R-CARBON(S);3300HM,5%,1/2W,AA,TP2.4X6.4	5	CS06	2401-001026	C-AL;3.3UF,20%,50V,GPTP5x11,5	
....5	R824	2008-001062	R-FUSIBLE;39ohm,5%,2W,AF,TP3.9x10mm	5	CS07	2201-000982	C-CERAMIC,DISC;10nf,+80-20%,50V,Y5V,TP4	
....5	R825	2008-001076	R-FUSIBLE(S);1.8ohm,5%,2W,AF,TP3.9x10mm	5	CS09	2301-000111	C-FILM,PEF;1.8nf,5%,50V,TP6.5x3.0x5.5mm	
....5	R826	2001-000290	R-CARBON;10KOHM,5%,1/8W,AA,TP1.8X3.2MM	5	CS11	2401-000486	C-AL;10uF,20%,50V,GPTP6.3x7mm,5	
....5	R827	2003-000998	R-METAL OXIDE;300ohm,5%,2W,AF,TP3.9x10m	5	CS12	2401-000486	C-AL;10uF,20%,50V,GPTP6.3x7mm,5	
....5	R828	2001-000290	R-CARBON;10KOHM,5%,1/8W,AA,TP1.8X3.2MM	5	CS13	2401-000486	C-AL;10uF,20%,50V,GPTP6.3x7mm,5	
....5	R829	2001-000563	R-CARBON;27KOHM,5%,1/8W,AA,TP1.8X3.2MM	5	CS14	2401-000486	C-AL;10uF,20%,50V,GPTP6.3x7mm,5	
....5	R830	2001-000734	R-CARBON;4.7KOHM,5%,1/8W,AA,TP1.8X3.2MM	5	CS15	2301-000383	C-FILM,PEF;10nf,5%,50V,TP6x7x3.2mm,5mm	
....5	R831	2001-001192	R-CARBON(S);8200HM,5%,1/2W,AA,TP2.4X6.4	5	CS16	2401-002144	C-AL;47uF,20%,16V,GPTP5x11,5	
....5	R832	2001-001088	R-CARBON(S);1KOHM,5%,1/2W,AA,TP2.4X6.4M	5	CS17	2305-000665	C-FILM,MPEF;100nf,5%,63V,TP7.5x4.0x5.0m	
....5	R834	2003-001040	R-METAL OXIDE(S);47Kohm,5%,2W,AF,TP3.9x	5	CS18	2401-001026	C-AL;3.3UF,20%,50V,GPTP5x11,5	
....5	R837	2003-002064	R-METAL OXIDE;7.5ohm,5%,2W,AF,TP10x3.9m	5	CS19	2401-000027	C-AL;4.7uF,20%,50V,GPTP5x11,5	
....5	R838	2003-002064	R-METAL OXIDE;7.5ohm,5%,2W,AF,TP10x3.9m	5	CS20	2201-000472	C-CERAMIC,DISC;0.33nf,5%,50V,SL,TP8.5x3	
....5	R839	2003-002064	R-METAL OXIDE;7.5ohm,5%,2W,AF,TP10x3.9m	5	CS21	2401-000027	C-AL;4.7uF,20%,50V,GPTP5x11,5	
....5	R840	2001-001108	R-CARBON(S);22KOHM,5%,1/2W,AA,TP2.4X6.4	5	CS22	2201-000472	C-CERAMIC,DISC;0.33nf,5%,50V,SL,TP8.5x3	
....5	R841	2001-000734	R-CARBON;4.7KOHM,5%,1/8W,AA,TP1.8X3.2MM	5	CS23	2305-000665	C-FILM,MPEF;100nf,5%,63V,TP7.5x4.0x5.0m	
....5	R843	2001-000019	R-CARBON(S);100HM,5%,1/2W,AA,TP2.4X6.4M	5	CS24	2401-000480	C-AL;10uF,20%,50V,GPTP6.3x7mm,5	
....5	R850	2001-001170	R-CARBON(S);6.80HM,5%,1/2W,AA,TP2.4X6.4	5	CS25	2401-002144	C-AL;47uF,20%,16V,GPTP5x11,5	
....5	R901	2001-000472	R-CARBON;2.7KOHM,5%,1/8W,AA,TP1.8X3.2MM	5	CS26	2201-000112	C-CERAMIC,DISC;1.5nf,10%,50V,Y5V,TP5x3	
....5	R902	2001-000241	R-CARBON;1KOHM,5%,1/8W,AA,TP1.8X3.2MM	5	CS27	2202-000121	C-CERAMIC,MLC-AXIAL;100pF,10%,50V,Y5P,TP	
....5	R903	2001-000472	R-CARBON;2.7KOHM,5%,1/8W,AA,TP1.8X3.2MM	5	CS28	2202-000286	C-CERAMIC,MLC-AXIAL;56pF,5%,50V,SL,TP1	
....5	R904	2001-000241	R-CARBON;1.5KOHM,5%,1/8W,AA,TP1.8X3.2MM	5	CS29	2201-000304	C-CERAMIC,DISC;0.001nf,0.25pF,50V,NPO,TP	
....5	R905	2001-000005	R-CARBON;390ohm,5%,1/8W,AA,TP1.8X3.2mm	5	CS30	2201-000304	C-CERAMIC,DISC;0.001nf,0.25pF,50V,NPO,TP	
....5	R906	2001-000005	R-CARBON;390ohm,5%,1/8W,AA,TP1.8X3.2mm	5	CS35	2301-000111	C-FILM,PEF;1.8nf,5%,50V,TP6.5x3.0x5.5mm	
....5	R907	2001-000472	R-CARBON;2.7KOHM,5%,1/8W,AA,TP1.8X3.2MM	5	ICS02	1203-000515	IC-VOL. DETECTOR;7042,TO-92,3P177MIL,PL	
....5	R908	2001-000472	R-CARBON;2.7KOHM,5%,1/8W,AA,TP1.8X3.2MM	5	LS01	2701-000184	INDUCTOR-AXIAL;4.7uH,10%,2.5x3.4mm	
....5	R909	2001-000281	R-CARBON;1000HM,5%,1/8W,AA,TP1.8X3.2MM	5	LS03	2701-000114	INDUCTOR-AXIAL;10uH,10%,2.5x3.4mm	
....5	R910	2001-000290	R-CARBON;10KOHM,5%,1/8W,AA,TP1.8X3.2MM	5	LS04	2701-000184	INDUCTOR-AXIAL;4.7uH,10%,2.5x3.4mm	
....5	R911	2001-000281	R-CARBON;1000HM,5%,1/8W,AA,TP1.8X3.2MM	5	PCB	AA41-00139A	PCB-STEREO/LINE-ST/MTS-M;DREAM-1,1L,FR-1	S.N.A
....5	R912	2001-000281	R-CARBON;1000HM,5%,1/8W,AA,TP1.8X3.2MM	5	RS01	2001-000429	R-CARBON;1KOHM,5%,1/8W,AA,TP1.8X3.2MM	
....5	R913	2001-000281	R-CARBON;1000HM,5%,1/8W,AA,TP1.8X3.2MM	5	RS02	2001-000281	R-CARBON;1000HM,5%,1/8W,AA,TP1.8X3.2MM	
....5	R914	2001-000281	R-CARBON;1000HM,5%,1/8W,AA,TP1.8X3.2MM	5	RS03	2001-000281	R-CARBON;1000HM,5%,1/8W,AA,TP1.8X3.2MM	
....5	R915	2001-000924	R-CARBON;6800HM,5%,1/8W,AA,TP1.8X3.2MM	5	RS04	2001-000290	R-CARBON;10KOHM,5%,1/8W,AA,TP1.8X3.2MM	
....5	R916	2001-000449	R-CARBON;2.2KOHM,5%,1/8W,AA,TP1.8X3.2MM	5	RS06	2001-000281	R-CARBON;1000HM,5%,1/8W,AA,TP1.8X3.2MM	
....5	R917	2001-000449	R-CARBON;2.2KOHM,5%,1/8W,AA,TP1.8X3.2MM	5	RS07	2001-000281	R-CARBON;1000HM,5%,1/8W,AA,TP1.8X3.2MM	
....5	R918	2001-000429	R-CARBON;1KOHM,5%,1/8W,AA,TP1.8X3.2MM	5	RS08	2001-000780	R-CARBON;4700HM,5%,1/8W,AA,TP1.8X3.2MM	
....5	R919	2001-000290	R-CARBON;10KOHM,5%,1/8W,AA,TP1.8X3.2MM	5	RS09	2001-000780	R-CARBON;4700HM,5%,1/8W,AA,TP1.8X3.2MM	
....5	R920	2001-000290	R-CARBON;10KOHM,5%,1/8W,AA,TP1.8X3.2MM	5	RS14	2001-000515	R-CARBON;2200HM,5%,1/8W,AA,TP1.8X3.2MM	
....5	R921	2001-000290	R-CARBON;10KOHM,5%,1/8W,AA,TP1.8X3.2MM	5	RS15	2001-000429	R-CARBON;1KOHM,5%,1/8W,AA,TP1.8X3.2MM	
....5	R922	2001-000290	R-CARBON;10KOHM,5%,1/8W,AA,TP1.8X3.2MM		..4	0202-000187	SOLDER-WIRE FLUX;-RS60S,D1 2.63Sn/37Pb	S.N.A	
....5	R923	2001-000273	R-CARBON;100KOHM,5%,1/8W,AA,TP1.8X3.2MM		..3	0202-000187	SOLDER-WIRE FLUX;-RS60S,D1 2.63Sn/37Pb	S.N.A	
....5	R924	2001-000290	R-CARBON;10KOHM,5%,1/8W,AA,TP1.8X3.2MM		..3	AA39-20010D	LEAD CONNECTOR-ASSY;1PYFH800-01,S,400,		
....5	R925	2001-000734	R-CARBON;4.7KOHM,5%,1/8W,AA,TP1.8X3.2MM		..3	AA65-30009A	CLAMP-FBT;-ABS,VO,-,BLK-	S.N.A	
....5	R926	2001-000429	R-CARBON;1KOHM,5%,1/8W,AA,TP1.8X3.2MM		..2	AA95-01724B	ASSY SUB-A/V,FRONT;S4,KS1ASTEREO,AA95-01	S.N.A	
....5	R927	2001-000793	R-CARBON;470HM,5%,1/8W,AA,TP1.8X3.2MM		..3	CN702	AA39-20461C	LEAD CONNECTOR-ASSY;11P,YBNH250-11,6709	
....5	R928	2001-000290	R-CARBON;10KOHM,5%,1/8W,AA,TP1.8X3.2MM		..3	CN704A	AA39-00094A	LEAD CONNECTOR-ASSY;3(2P)YBNH250-03,35	
....5	R929	2001-000563	R-CARBON;27KOHM,5%,1/8W,AA,TP1.8X3.2MM		..3	JE601	3722-000143	JACK-PHONE;1P(VER);3,4PI,AG,BLK,NO	
....5	R931	2001-000429	R-CARBON;1KOHM,5%,1/8W,AA,TP1.8X3.2MM		..3	JR01	3722-001031	JACK-PIN;3P;3.6mm,#18,AU	
....5	R932	2001-000325	R-CARBON;1200HM,5%,1/8W,AA,TP1.8X3.2MM		..3	AA97-07200A	ASSY AUTO-A/V FRONT;KS1A,PAL,AA95-01435	S.N.A	

Level	Loc. No.	Code No.	Description ; Specification	Remark	Level	Loc. No.	Code No.	Description ; Specification	Remark
...4	CE01	2401-001840	C-AL;100uF,20%,16V,GPTP6.3x11.5						
...4	CE02	2401-001840	C-AL;100uF,20%,16V,GPTP6.3x11.5						
...4	CE04	2202-000121	C-CERAMIC,MLC-AXIAL;100pF,10%,50V,Y5P,TP						
...4	CE05	2202-000121	C-CERAMIC,MLC-AXIAL;100pF,10%,50V,Y5P,TP						
...4	CE07	2202-000222	C-CERAMIC,MLC-AXIAL;3.3nF,20%,16V,Y5P,TP						
...4	CE08	2202-000222	C-CERAMIC,MLC-AXIAL;3.3nF,20%,16V,Y5P,TP						
...4	LE01	2701-000158	INDUCTOR-AXIAL;22uH,10%,2.5x3.4mm						
...4	LE02	2701-000158	INDUCTOR-AXIAL;22uH,10%,2.5x3.4mm						
...4	LE04	2701-000114	INDUCTOR-AXIAL;10uH,10%,2.5x3.4mm						
...4	LE05	2701-000114	INDUCTOR-AXIAL;10uH,10%,2.5x3.4mm						
...4	PCB	AA41-00568A	PCB-FRONT AV;S4/C5,FR-1,1LA,1.6T,245X24	S.N.A					
...4	RE01	2001-001153	R-CARBON(S);470HM,5%,1/2W,AA,TP2.4X6.4M						
...4	RE02	2001-001153	R-CARBON(S);470HM,5%,1/2W,AA,TP2.4X6.4M						
...3		0202-000187	SOLDER-WIRE FLUX;-RS60S,D1.2,63Sn/37Pb	S.N.A					
...2		AA96-20109B	ASSY-POWER,CORD;-CP2/NO(4.0),H/C250,KKP	S.N.A					
...3		3811-000401	WIRES-PVC CU;BCWA,300V,ROLL,17/0.16mm,#22	S.N.A					
...3		AA39-10006X	POWER-CORD;-KKP419C,KLCE-2F,2.286MT,3P,						
...3		AA61-20284A	HOLDER;P-CORD,PP,-,-,BLK,VO,KE-002	S.N.A					

ASSY ACCESSORY

1	*	AA92-03229Q	ASSY ACCESSORY;CS21K3SDX/AWE	S.N.A
..2		AA68-01795A	MANUAL USERS;-FRE.,W/P100G,ALL1,B5,KS1A,	S.N.A
..2		AA68-01602B	MANUAL USERS;-ENG,W/P100G,ALL1,B5,KS1A,3	S.N.A
..2		AA59-00104M	REMOCON;-TM59,KS2A,29,L/GRAY,NON-TTX,GRA	
..2		AA26-90001C	TRANS-MATCHING;-300ohm/75ohm,PAL,40-890	

ASSY COVER FRONT

1	*	AA90-02481F	ASSY COVER FRONT;CS21S4SX/AWE	S.N.A
..2	CB+CF	AA60-10050T	SCREW-TAPPING;-SWRCH18A,M4,L20,RH,+2S,	S.N.A
..2	CRT+CF	AA60-10050R	SCREW-ASSY;-SWRCH18A,M5,L31.5,HH,+WC,-	S.N.A
..2	PA+CF	6006-001095	SCREW-ASSY TAPT;WPBH,+M4,L12,ZPC(YEL)	S.N.A
..2		AA91-00288W	ASSY CABINET FRONT;21S4 KS1A S/T,(SPK)S	
...3	KC+CF	6003-001026	SCREW-TAPTITE;RH,+B,M4,L15,ZPC(BLK),SWR	S.N.A
...3	SPK+CF	6003-001026	SCREW-TAPTITE;RH,+B,M4,L15,ZPC(BLK),SWR	S.N.A
...3	TW+CF	6003-001026	SCREW-TAPTITE;RH,+B,M4,L15,ZPC(BLK),SWR	S.N.A
...3		AA64-00711C	KNOB POWER;21S4,ABS,-,-,HB,G3676,-,NO-	
...3		AA64-00713B	WINDOW REMOCON;-21S4,-,PC,VO,VIOLET,-	S.N.A
...3		AA64-00714B	INDICATOR LED;21S4,ACRYL,-,CLR,-,-,-	
...3		AA64-70123B	BADGE-BRAND;-AL,-,-,L=50,SAMSUNG,SILVER	S.N.A
...3		AA65-00011C	CLAMP-WIRE;ALL MODEL,NYLON 66,V2,-,NTR,2	S.N.A
...3		AA65-30105A	CLAMP-WIRE;ALL MODEL,NYLON 66,V2,-,NTR,1	S.N.A
...3		AA96-00626A	ASSY SPEAKER;-80HM,15W,001115/001088,35	S.N.A
...4		3001-001088	SPEAKER;5W,8ohm,90dB,250Hz+50Hz	
...4		3001-001115	SPEAKER;15W,8ohm,93dB,110	
...4		AA39-00228A	LEAD CONNECTOR ASSY;4P/4.7UFYSH250-04,	
...3		AA60-00091J	SPACER-FELT;-FELT,330X10,-,-,BLK,T0.5,-	S.N.A
...3		AA61-60003J	SPRING-CS;-SUS304,-,-,OD6,N7,OD6,-,-,-	S.N.A
...3		AA63-00206L	COVER-CONTROL;21S4 KS1A S/T,HIPS,HB,GRAY	S.N.A
...3		AA63-00208B	GRILLE WOOFFER-L;21S4,SECC,T0.5,-,-,SV7	S.N.A
...3		AA63-00209B	GRILLE WOOFFER-R;21S4,SECC,T0.5,-,-,SV7	S.N.A
...3		AA64-00706M	CABINET-FRONT;21S4,S5,HIPS,HB,G4309,SV70	S.N.A
...3		AA64-00709B	KNOB CONTROL;21S4,ABS,-,-,HB,G3676,-,-	
..2		AA65-30107A	CLAMP-D,COIL;20-22 INCH,NYLON 66,V2,-,NT	S.N.A
..2		AA63-60004K	SPACER-GUM,CRT;-NTR RUBBER,-,-,-,BLK,T2	S.N.A

ASSY CPT

1	*	AA91-02939A	ASSY CPT;CS21D8ZX/AWE	S.N.A
..2		AA91-02169Y	ASSY CPT;A51KQJ63X(H),21.0MG,BARE	S.N.A
...3		AA63-60028A	SPACER-DY;-NEOPRENE,-,-,-,BLK,-,-,V0 W1	S.N.A
...3		AA27-50005K	DEFLECTION-YOKE;-CDY-S2192M,ST-3,A51KQJ	
△...3		AA27-00002A	MAGNET-CONVERGENCE;-JH291-SC-OB,29.1MM	
...3		AA03-10027E	CRT-COLOR;A51KQJ63X(H),0mG,2.28mH,22.7mH	
..2		AA98-70014C	ASSY-TBC,WIRE(P);-21',NTSC,1P,TVI	S.N.A
..2		AA27-00144A	COIL DEGAUSSING;48T,90HM,21INCH,110/220	

ASSY COVER REAR

1	*	AA90-02405F	ASSY COVER REAR;CS21S4SX/AWE	S.N.A
..2		AA64-00707E	CABINET BACK;21S4,HIPS,-,-,HB,G4309,-	
..2		AA65-30008A	CLAMP-CORD;-PE,HB,-,BLK,-	S.N.A

7-5 CS21S4STX/AWE(CS21S4SX/AWE and CS21S4STX/AWE Dissimilar parts)

Level	Loc. No.	Code No.	Description ; Specification	Remark	Level	Loc. No.	Code No.	Description ; Specification	Remark
ASSY CHASSIS									
1	*	AA91-03363A	ASSY CHASSIS;CS21S4STX/AWE,NIGERIA		...	RS06	2001-000281	R-CARBON;100OHM,5%,1/8W,AA,TP,1.8X3.2MM	
..2		AA94-07599Y	ASSY PCB MAIN;CS21S4STX/CBM,KS1A,SENEGAL	S.N.A	...	RS07	2001-000281	R-CARBON;100OHM,5%,1/8W,AA,TP,1.8X3.2MM	
...3	C901	2305-000412	C-FILM,MPEF;470nF,5%,63V,TP,5mm		...	RS08	2001-000780	R-CARBON;470OHM,5%,1/8W,AA,TP,1.8X3.2MM	
...3	CLAMP	AA65-30018A	CLAMP-WIRE;DONG-A,NYLON-66,-,-,DATL-60	S.N.A	...	RS09	2001-000780	R-CARBON;470OHM,5%,1/8W,AA,TP,1.8X3.2MM	
...3	CN501	AA39-20620C	LEAD CONNECTOR-ASSY;9PYBNH250-09,S,500		...	RS14	2001-000515	R-CARBON;220OHM,5%,1/8W,AA,TP,1.8X3.2MM	
△...3	D806	AA96-00243D	ASSY H/S;-BRIDGE,AA62-00045A,D06U20S,DR	S.N.A	...	RS15	2001-000429	R-CARBON;1KOHM,5%,1/8W,AA,TP,1.8X3.2MM	
...4		0205-000129	GREASE-SILICON;SC102,JAPAN	S.N.A	...	C801	2401-000339	C-AL;220uF,20%,400V,GP,ST,30x35,10	S.N.A
...4		0402-001374	DIODE-RECTIFIER;FFP06U20S,200V,6A,TO-22	S.N.A	△...4	CN701	3711-000628	CONNECTOR-HEADER;-11P,1R,2.5mm,STRAIGHT	
...4		6003-000335	SCREW-TAPTITE;RH,+,2S,M3,L8,ZPC(YEL),SWR	S.N.A	△...4	CR402S	2306-000188	C-FILM,MPPF;330nF,5%,400V,TP,26x19.5x11,	
...4		AA62-00045A	HEAT SINK-PS;-;T1.0,-,-,DREAM,-,-,-,-	S.N.A	△...4	CR410S	2303-001015	C-FILM,PPF;5.5nF,5%,1.6kV,TP,29x9.5x17.2,	
△...3	IC201S	AA09-00223A	IC MICOM;SPM802MA1-0528,SPM802MA1-0528,6		△...4	CX801S	2306-000318	C-FILM,MPPF;220nF,20%,250V,TP,22.5mm	
...3	IC301	AA96-00244A	ASSY H/S;-;AA62-00046A,LA7840,-	S.N.A	△...4	CY801S	2201-000446	C-CERAMIC,DISC;3.3nF,20%,400V,Y5U,TP,15x	
...4		0205-000129	GREASE-SILICON;SC102,JAPAN	S.N.A	△...4	FP801S	3601-000281	FUSE-CARTRIDGE;250V,4A,TIME-LAG,GLASS,5.	
...4		1204-001483	IC-VERTICAL PROCESSOR;LA7840,SIP,7P,708MI		...4	IC101	1204-001583	IC-IF CIRCUIT;U4468B,DIP,16P,-,PLASTIC,5	
...4		6003-000335	SCREW-TAPTITE;RH,+,2S,M3,L8,ZPC(YEL),SWR	S.N.A	...4	IC501	AA96-50311A	ASSY-H/S;-VIDEO,AA62-30175D,TDA6107Q,-	S.N.A
...4		AA62-00046A	HEAT SINK-PS;-;T1.0,-,D1(DREAM) 60X25X	S.N.A	...5		1201-001159	IC-VIDEO AMP;6107,ZSIP9P,-,SINGLE,-,PLA	
...3	IC601	AA96-00244G	ASSY H/S;-AUDIO,AA62-00046A,TDA8944J,BR	S.N.A	...5		6003-000334	SCREW-TAPTITE;RH,+,2S,M3,L6,ZPC(YEL),SWR	S.N.A
...4		AA62-00046A	HEAT SINK-PS;-;T1.0,-,D1(DREAM) 60X25X	S.N.A	...5		AA62-30175D	HEAT-SINK,PS;-;SECC,T1.0,-,33X15X30 FT-2	S.N.A
...4		AA61-10162B	BRACKET-IC;-;SBHG-1,T1.0,-,-,100	S.N.A	△...4	IC801S	AA96-00242A	ASSY H/S;-;AA62-30186B,KA50Q765R,-	S.N.A
...4		6003-000335	SCREW-TAPTITE;RH,+,2S,M3,L8,ZPC(YEL),SWR	S.N.A	...5		0205-000129	GREASE-SILICON;SC102,JAPAN	S.N.A
...4		1201-001741	IC-AUDIO AMP;TDA8944J,DBS,17P,937MIL,DUA		...5		1203-001932	IC-PWM CONTROLLER;500765,TO-220F,5P,185M	
...4		0205-000129	GREASE-SILICON;SC102,JAPAN	S.N.A	...5		6003-000333	SCREW-TAPTITE;RH,+,2S,M3,L10,ZPC(YEL),SW	S.N.A
...3	Q401	0502-001160	TR-POWER;2SD2499,NPN,50000mW,TO-3PBK,8-		...5		AA62-30186B	HEAT SINK-ES;-;SILVER,171J + COVER-H	S.N.A
...3	R600	2006-001020	R-CEMENT;3.9OHM,5%,5V,CJ,TP,10.5X14X23.5		△...4	IC802	AA96-00245A	ASSY H/S;-;AA62-00055A,KA7632,-	S.N.A
△...3	T444S	AA26-00098A	TRANS FBT;FSA38032M,-,3.53mH,-,-,125V,		...5		1203-001939	IC-POSI.FIXED REG.;7632,SIP,10P,-,PLASTI	
△...3	T801S	AA26-00043B	TRANS SWITCHING;CS21S5T,80-280V,PM2,PL3		...5		6003-000334	SCREW-TAPTITE;RH,+,2S,M3,L6,ZPC(YEL),SWR	S.N.A
...3		AA95-01763A	ASSY SUB-PCB LINE STEREO;20S4,C5,15A9,K8	S.N.A	...5		AA62-00055A	HEAT SINK-PS;-;T1.0,-,35*15*25,D1,-,-	S.N.A
...4	CN702	AA39-00095A	LEAD CONNECTOR-ASSY;-;3I2PYBNH250-03,35		...4	IC902	1103-001200	IC-EEPROM;M24C08-WBN6,1024x8Bit,DIP8P,3	
...4	CN705	3711-002708	CONNECTOR-HEADER;NOWALL,10P,1R,2.5mm,ANG		...4	JS701	3722-000183	JACK-SCART;21P,4mm,SN,BLK,NO	
...4	CN706	3711-002706	CONNECTOR-HEADER;NOWALL,8P,1R,2.5mm,ANGL		...4	LD901	AA96-00055A	ASSY LED GUIDE;-;LUX-LED-030,GREEN	S.N.A
...4	CN707	AA39-00276A	LEAD CONNECTOR ASSY;-;UL1185#26,UL/CSA,6P		△...4	LR401S	AA27-00053A	COIL-LEADILITY;-;193uH,DR10X10 C:4.35,7	
...4	ICS01	1204-001639	IC-SOUND PROCESSOR;BSP3505D-B3,DIP,52P-		△...4	LX801S	AA29-30001D	FILTER-LINE NOISE;SQ1913,-,6.0MH,0.8A,-	
...4	XS01	2801-003903	CRYSTAL-UNIT;18.432MHz,25ppm,28-AAM,12pF		△...4	NT802S	1404-001045	THERMISTOR-NTC;4.7ohm,15%,2900K,35.0mW,T	
...4		AA97-05525A	ASSY AUTO-SUB;20S4,C5,15A9,K8,S1,KS1A,LI	S.N.A	△...4	P803S	1404-001156	THERMISTOR-PTC;90HM,+30%/-20%,220VRMS,27	
...5	CS01	2201-000180	C-CERAMIC,DISC;10nF,10%,50V,Y5V,TP,7x3,5		△...4	PC801S	0604-001032	PHOTO-COUPLER;TR,170-260%,300mW,DIP-4,ST	
...5	CS03	2401-002594	C-AL;220uF,20%,16V,GP,TP,8x11.5,5		△...4	RM901	AA32-00009A	MODULE REMOCON;FRP-3521H3,38KHZ,940NM,ME	
...5	CS06	2401-001026	C-AL;3.3uF,20%,50V,GP,TP,5x11.5		△...4	SF101S	2904-001143	FILTER-SAW AV;38.9MHz,SIP5K,ST,18dB,B/G,	
...5	CS07	2201-000982	C-CERAMIC,DISC;10nF,+80-20%,50V,Y5V,TP,4		△...4	SF102S	2904-001224	FILTER-SAW AV;38.9MHz,SIP5K,ST,16.3dB,B/	
...5	CS09	2301-000111	C-FILM,PEF;1.8nF,5%,50V,TP,6.5x3.0x5.5mm		△...4	SW801S	3403-001107	SWITCH-PUSH;250V,5A,DPST,-,KDC-A04	
...5	CS11	2401-000486	C-AL;10uF,20%,50V,GP,TP,6.3x7mm,5		△...4	T401	AA26-50001B	TRANS-HORIZ.DRIVE;-;7.1mH,-,102uH,	
...5	CS12	2401-000486	C-AL;10uF,20%,50V,GP,TP,6.3x7mm,5		△...4	TU01S	AA40-00070A	TUNER;TEDE9-203A,PAL,181CH,38.9MHz,750HM	
...5	CS13	2401-000486	C-AL;10uF,20%,50V,GP,TP,6.3x7mm,5		△...4	V999S	3704-001105	SOCKET-CRT;11P,20PI,26.5PI,NI,-	
...5	CS14	2401-000486	C-AL;10uF,20%,50V,GP,TP,6.3x7mm,5		...4		AA97-04644A	ASSY AUTO-MAIN;CS21S4STX/CBM,KS1A,SENEGAL	S.N.A
...5	CS15	2301-000383	C-FILM,PEF;10nF,5%,50V,TP,6x7x3.2mm,5mm		...5	C101	2401-001101	C-AL;330uF,20%,16V,GP,TP,8x11.5,5	
...5	CS16	2401-002144	C-AL;47uF,20%,16V,GP,TP,5x11.5		...5	C102	2202-000279	C-CERAMIC,MLC-AXIAL;47pF,5%,50V,SL,TP,3	
...5	CS17	2305-000665	C-FILM,MPEF;100nF,5%,63V,TP,7.5x4.0x5.0m		...5	C103	2305-000665	C-FILM,MPEF;100nF,5%,63V,TP,7.5x4.0x5.0m	
...5	CS18	2401-001026	C-AL;3.3uF,20%,50V,GP,TP,5x11.5		...5	C104	2202-000796	C-CERAMIC,MLC-AXIAL;1nF,10%,50V,Y5P,TP,3	
...5	CS19	2401-000027	C-AL;4.7uF,20%,50V,GP,TP,5x11.5		...5	C105	2202-000127	C-CERAMIC,MLC-AXIAL;10nF,+80-20%,25V,Y5V	
...5	CS20	2201-000472	C-CERAMIC,DISC;0.33nF,5%,50V,SL,TP,8.5x3		...5	C106	2202-000127	C-CERAMIC,MLC-AXIAL;10nF,+80-20%,25V,Y5V	
...5	CS21	2401-000027	C-AL;4.7uF,20%,50V,GP,TP,5x11.5		...5	C107	2202-000796	C-CERAMIC,MLC-AXIAL;1nF,10%,50V,Y5P,TP,3	
...5	CS22	2201-000472	C-CERAMIC,DISC;0.33nF,5%,50V,SL,TP,8.5x3		...5	C108	2202-000127	C-CERAMIC,MLC-AXIAL;10nF,+80-20%,25V,Y5V	
...5	CS23	2305-000665	C-FILM,MPEF;100nF,5%,63V,TP,7.5x4.0x5.0m		...5	C109	2301-000224	C-FILM,PEF;22nF,5%,50V,TP,7.4x3.9x13mm,5	
...5	CS24	2401-000480	C-AL;10uF,20%,50V,GP,TP,5x11.5		...5	C110	2401-000914	C-AL;22uF,20%,16V,GP,TP,5x11.5	
...5	CS25	2401-002144	C-AL;47uF,20%,16V,GP,TP,5x11.5		...5	C111	2202-000127	C-CERAMIC,MLC-AXIAL;10nF,+80-20%,25V,Y5V	
...5	CS26	2201-000112	C-CERAMIC,DISC;1.5nF,10%,50V,Y5V,TP,5x3		...5	C113	2401-000914	C-AL;22uF,20%,16V,GP,TP,5x11.5	
...5	CS27	2202-000121	C-CERAMIC,MLC-AXIAL;100pF,10%,50V,Y5P,TP		...5	C115	2202-000632	C-CERAMIC,MLC-AXIAL;100nF,20%,50V,Z5U,TP	
...5	CS28	2202-000286	C-CERAMIC,MLC-AXIAL;56pF,5%,50V,SL,TP,1		...5	C117	2202-000127	C-CERAMIC,MLC-AXIAL;10nF,+80-20%,25V,Y5V	
...5	CS29	2201-000304	C-CERAMIC,DISC;0.001nF,0.25pF,50V,NP0,TP		...5	C118	2301-000383	C-FILM,PEF;10nF,5%,50V,TP,6x7x3.2mm,5mm	
...5	CS30	2201-000304	C-CERAMIC,DISC;0.001nF,0.25pF,50V,NP0,TP		...5	C119	2401-000027	C-AL;4.7uF,20%,50V,GP,TP,5x11.5	
...5	CS35	2301-000111	C-FILM,PEF;1.8nF,5%,50V,TP,6.5x3.0x5.5mm		...5	C120	2401-000027	C-AL;4.7uF,20%,50V,GP,TP,5x11.5	
...5	ICS02	1203-000515	IC-VOL. DETECTOR;7042,TO-92,3P,177MIL,PL		...5	C121	2305-000412	C-FILM,MPEF;470nF,5%,63V,TP,5mm	
...5	LS01	2701-000184	INDUCTOR-AXIAL;4.7uH,10%,2.5x3.4mm		...5	C203	2401-001176	C-AL;33uF,20%,25V,GP,TP,5x11.5	
...5	LS03	2701-000114	INDUCTOR-AXIAL;10uH,10%,2.5x3.4mm		...5	C204	2305-000665	C-FILM,MPEF;100nF,5%,63V,TP,7.5x4.0x5.0m	
...5	LS04	2701-000184	INDUCTOR-AXIAL;4.7uH,10%,2.5x3.4mm		...5	C205	2305-000665	C-FILM,MPEF;100nF,5%,63V,TP,7.5x4.0x5.0m	
...5	PCB	AA41-00139A	PCB-STEREO/LINE-ST/MTS-M;DREAM-1,1L,FR-1	S.N.A	...5	C207	2305-000412	C-FILM,MPEF;470nF,5%,63V,TP,5mm	
...5	RS01	2001-000429	R-CARBON;1KOHM,5%,1/8W,AA,TP,1.8X3.2MM		...5	C208	2305-000665	C-FILM,MPEF;100nF,5%,63V,TP,7.5x4.0x5.0m	
...5	RS02	2001-000281	R-CARBON;100OHM,5%,1/8W,AA,TP,1.8X3.2MM		...5	C209	2401-001840	C-AL;100uF,20%,16V,GP,TP,6.3x11.5	
...5	RS03	2001-000281	R-CARBON;100OHM,5%,1/8W,AA,TP,1.8X3.2MM		...5	C210	2305-000665	C-FILM,MPEF;100nF,5%,63V,TP,7.5x4.0x5.0m	
...5	RS04	2001-000290	R-CARBON;10KOHM,5%,1/8W,AA,TP,1.8X3.2MM		...5	C211	2202-000632	C-CERAMIC,MLC-AXIAL;100nF,20%,50V,Z5U,TP	

Level	Loc. No.	Code No.	Description ; Specification	Remark
....5	C213	2401-001840	C-AL;100uF20%,16V,GPTP6.3x11,5	
....5	C214	2401-001840	C-AL;100uF20%,16V,GPTP6.3x11,5	
....5	C215	2305-000289	C-FILM,MPEF;220nF,5%,63V,TP,-,5mm	
....5	C216	2305-000289	C-FILM,MPEF;220nF,5%,63V,TP,-,5mm	
....5	C217	2301-000342	C-FILM,PEF;2.2nF,5%,50V,TP,7.4x3.9x13mm,	
....5	C218	2305-000665	C-FILM,MPEF;100nF,5%,63V,TP,7.5x4.0x5.0m	
....5	C219	2401-000603	C-AL;1uF20%,50V,GPTP5x11,5	
....5	C220	2401-002235	C-AL;10uF20%,16V,GPTP5x11mm,5mm	
....5	C221	2401-000660	C-AL;2.2uF20%,50V,GPTP5x11,5	
....5	C222	2401-000758	C-AL;220nF20%,50V,GPTP5x11,5	
....5	C223	2202-000796	C-CERAMIC,MLC-AXIAL;1NF,10%,50V,Y5P,TP3	
....5	C224	2202-000796	C-CERAMIC,MLC-AXIAL;1NF,10%,50V,Y5P,TP3	
....5	C225	2309-000138	C-FILM,PE-PPF;100nF,5%,50V,TP20x16x8.5,	
....5	C229	2401-001840	C-AL;100uF20%,16V,GPTP6.3x11,5	
....5	C230	2305-000665	C-FILM,MPEF;100nF,5%,63V,TP,7.5x4.0x5.0m	
....5	C231	2305-000665	C-FILM,MPEF;100nF,5%,63V,TP,7.5x4.0x5.0m	
....5	C233	2305-000289	C-FILM,MPEF;220nF,5%,63V,TP,-,5mm	
....5	C234	2301-000342	C-FILM,PEF;2.2nF,5%,50V,TP,7.4x3.9x13mm,	
....5	C248	2301-000445	C-FILM,PEF;4.7nF,5%,50V,TP5.5x7x3mm,5mm	
....5	C301	2305-000285	C-FILM,MPEF;220NF,5%,100V,TP10.5X5.5X15	
....5	C302	2201-000259	C-CERAMIC,DISC;0.18nF,10%,500V,Y5P,TP5,	
....5	C303	2201-000556	C-CERAMIC,DISC;0.47nF,10%,500V,Y5P,TP5,	
....5	C304	2401-002288	C-AL;470uF20%,25V,WT,TP;10x20,5	
....5	C305	2201-000556	C-CERAMIC,DISC;0.47nF,10%,500V,Y5P,TP5,	
....5	C306	2401-002288	C-AL;470uF20%,25V,WT,TP;10x20,5	
....5	C307	2401-000360	C-AL;100uF20%,50V,GPTP8x11.5,5	
....5	C308	2401-000360	C-AL;100uF20%,50V,GPTP8x11.5,5	
....5	C309	2301-000254	C-FILM,PEF;39nF,5%,50V,TP,7.5x3.5x6.5mm,	
....5	C310	2401-000223	C-AL;100nF20%,50V,LL,TP5x11mm,5mm	
....5	C312	2305-000149	C-FILM,MPEF;100nF,5%,100V,TP12x12.5x6.5	
....5	C403	2401-000560	C-AL;1uF20%,160V,GPTP6.3x11,5	
....5	C406	2401-002619	C-AL;47uF20%,25V,GPTP5x11,5	
....5	C407	2301-000383	C-FILM,PEF;10nF,5%,50V,TP6x7x3.2mm,5mm	
....5	C408	2201-000599	C-CERAMIC,DISC;0.56nF,10%,500V,Y5P,TP5,	
....5	C420	2301-001065	C-FILM,MPEF;47nF,5%,630V,TP19x15.5x7.7,	
....5	C502	2301-000213	C-FILM,PEF;220nF,5%,250V,TP21.5x11,7,5	
....5	C503	2201-000723	C-CERAMIC,DISC;4.7nF,20%,3KV,Y5U,TP;16x5	
....5	C504	2401-001232	C-AL;4.7uF20%,250V,GPTP;10x12.5,5	
....5	C505	2202-000825	C-CERAMIC,MLC-AXIAL;680pF,10%,50V,Y5P,TP	
....5	C506	2401-000430	C-AL;10uF20%,250V,GPTP;10x16mm,5m	
....5	C601	2401-001998	C-AL;1000uF20%,25V,GPTP;10x20,5mm	
....5	C603	2305-000289	C-FILM,MPEF;220nF,5%,63V,TP,-,5mm	
....5	C604	2401-000660	C-AL;2.2uF20%,50V,GPTP5x11,5	
....5	C605	2401-000660	C-AL;2.2uF20%,50V,GPTP5x11,5	
....5	C606	2301-000383	C-FILM,PEF;10nF,5%,50V,TP6x7x3.2mm,5mm	
....5	C607	2305-000289	C-FILM,MPEF;220nF,5%,63V,TP,-,5mm	
....5	C610	2301-000383	C-FILM,PEF;10nF,5%,50V,TP6x7x3.2mm,5mm	
....5	C611	2305-000289	C-FILM,MPEF;220nF,5%,63V,TP,-,5mm	
....5	C612	2401-000480	C-AL;10uF20%,50V,GPTP5x11,5	
....5	C613	2305-000289	C-FILM,MPEF;220nF,5%,63V,TP,-,5mm	
....5	C618	2305-000665	C-FILM,MPEF;100nF,5%,63V,TP,7.5x4.0x5.0m	
....5	C619	2305-000665	C-FILM,MPEF;100nF,5%,63V,TP,7.5x4.0x5.0m	
....5	C701	2202-000121	C-CERAMIC,MLC-AXIAL;100pF,10%,50V,Y5P,TP	
....5	C702	2202-000210	C-CERAMIC,MLC-AXIAL;270pF,10%,50V,Y5P,TP	
....5	C703	2202-000121	C-CERAMIC,MLC-AXIAL;100pF,10%,50V,Y5P,TP	
....5	C704	2202-000121	C-CERAMIC,MLC-AXIAL;100pF,10%,50V,Y5P,TP	
....5	C707	2301-000445	C-FILM,PEF;4.7nF,5%,50V,TP5.5x7x3mm,5mm	
....5	C802	2401-001192	C-AL;33uF20%,50V,GPTP;6.3x11,5	
....5	C803	2305-000665	C-FILM,MPEF;100nF,5%,63V,TP,7.5x4.0x5.0m	
....5	C804	2301-000224	C-FILM,PEF;22nF,5%,50V,TP7.4x3.9x13mm,5	
....5	C805	2301-000235	C-FILM,PEF;3.9nF,5%,50V,TP6.5x3.0x5.5mm	
....5	C806	2301-001435	C-FILM,PPF;1.5nF,5%,1.2kV,TP15x8x12.5mm	
....5	C810	2301-000192	C-FILM,PEF;1nF,5%,50V,TP5.3x10mm,5mm	
....5	C811	2201-000991	C-CERAMIC,DISC;0.56nF,10%,2kV,Y5P,TP,7,5	
....5	C812	2401-000262	C-AL;100uF20%,160V,HR,TP;16x25,7,5	
....5	C813	2401-002290	C-AL;47uF20%,160V,GPTP;13x20,5	
....5	C814	2201-000991	C-CERAMIC,DISC;0.56nF,10%,2kV,Y5P,TP,7,5	
....5	C816	2201-000375	C-CERAMIC,DISC;0.22nF,5%,50V,RH,TP;12,5x	
....5	C817	2401-000302	C-AL;100uF20%,25V,GPTP6.3x11,5	
....5	C818	2401-003028	C-AL;100uF20%,25V,WT,TP6.3x11,5	
....5	C819	2305-000665	C-FILM,MPEF;100nF,5%,63V,TP,7.5x4.0x5.0m	
....5	C820	2401-000480	C-AL;10uF20%,50V,GPTP5x11,5	
....5	C821	2401-003028	C-AL;100uF20%,25V,WT,TP6.3x11,5	
....5	C822	2401-000711	C-AL;2200uF20%,25V,GPTP;16x25,7,5	
....5	C823	2401-000302	C-AL;100uF20%,25V,GPTP6.3x11,5	
....5	C825	2401-003028	C-AL;100uF20%,25V,WT,TP6.3x11,5	
....5	C827	2401-000927	C-AL;22uF20%,250V,GPTP;13x20,5	

Level	Loc. No.	Code No.	Description ; Specification	Remark
....5	C903	2401-001840	C-AL;100uF20%,16V,GPTP6.3x11,5	
....5	C904	2301-000383	C-FILM,PEF;10nF,5%,50V,TP6x7x3.2mm,5mm	
....5	C906	2202-000796	C-CERAMIC,MLC-AXIAL;1NF,10%,50V,Y5P,TP3	
....5	C908	2201-000573	C-CERAMIC,DISC;0.047nF,5%,50V,NP0,TP5x3	
....5	C909	2201-000573	C-CERAMIC,DISC;0.047nF,5%,50V,NP0,TP5x3	
....5	C910	2401-001840	C-AL;100uF20%,16V,GPTP6.3x11,5	
....5	C911	2202-000632	C-CERAMIC,MLC-AXIAL;100nF20%,50V,Z5U,TP	
....5	C912	2202-000121	C-CERAMIC,MLC-AXIAL;100pF,10%,50V,Y5P,TP	
....5	C913	2305-000665	C-FILM,MPEF;100nF,5%,63V,TP,7.5x4.0x5.0m	
....5	C915	2401-000302	C-AL;100uF20%,25V,GPTP;6.3x11,5	
....5	CN602	3711-002843	CONNECTOR-HEADER;BOX,4P,1R,2.5mm,STRAIGH	
....5	CN707A	3711-002645	CONNECTOR-HEADER;BOX,6P,1R,2.5mm,STRAIGH	
△	CR404S	2201-000639	C-CERAMIC,DISC;0.68nF,10%,2kV,Y5P,TP;9x5	
△	CR405S	2305-000382	C-FILM,MPEF;4.7nF,5%,400V,TP,-,5mm	
△	CR408S	2201-002028	C-CERAMIC,DISC;0.47nF,10%,2kV,Y5P,TP;7,5	
....5	D101	0401-000005	DIODE-SWITCHING;1N4148,100V,200mA,DO-35,	
....5	D103	0401-000005	DIODE-SWITCHING;1N4148,100V,200mA,DO-35,	
....5	D201	0401-000005	DIODE-SWITCHING;1N4148,100V,200mA,DO-35,	
....5	D301	0402-001105	DIODE-RECTIFIER;ERB43-04SV1,400V,1.0A,-,	
....5	D302	0402-001352	DIODE-RECTIFIER;GUF15G-20A,400V,1.5A,DO-	
....5	D303	0402-000132	DIODE-RECTIFIER;1N4004,400V,1A,DO-41,TP	
....5	D304	0402-001105	DIODE-RECTIFIER;ERB43-04SV1,400V,1.0A,-,	
....5	D305	0401-000005	DIODE-SWITCHING;1N4148,100V,200mA,DO-35,	
△	D401	0402-001105	DIODE-RECTIFIER;ERB43-04SV1,400V,1.0A,-,	
....5	D501	0402-000254	DIODE-RECTIFIER;RGP10J,600V,1A,DO-41,TP	
....5	D502	0402-001105	DIODE-RECTIFIER;ERB43-04SV1,400V,1.0A,-,	
....5	D503	0402-001105	DIODE-RECTIFIER;ERB43-04SV1,400V,1.0A,-,	
....5	D504	0402-001105	DIODE-RECTIFIER;ERB43-04SV1,400V,1.0A,-,	
△	D801S	0402-001111	DIODE-RECTIFIER;1N5397GP600V,1.5A,DO-20	
△	D802	0402-001111	DIODE-RECTIFIER;1N5397GP600V,1.5A,DO-20	
△	D802S	0402-001111	DIODE-RECTIFIER;1N5397GP600V,1.5A,DO-20	
△	D803	0402-000254	DIODE-RECTIFIER;RGP10J,600V,1A,DO-41,TP	
△	D803S	0402-001111	DIODE-RECTIFIER;1N5397GP600V,1.5A,DO-20	
△	D804	0401-000005	DIODE-SWITCHING;1N4148,100V,200mA,DO-35,	
△	D804S	0402-001111	DIODE-RECTIFIER;1N5397GP600V,1.5A,DO-20	
△	D805	0402-000540	DIODE-RECTIFIER;RU20A,600V,1.5A,-,TP	
△	D808	0401-000005	DIODE-SWITCHING;1N4148,100V,200mA,DO-35,	
△	D809	0402-000132	DIODE-RECTIFIER;1N4004,400V,1A,DO-41,TP	
△	D811	0401-000005	DIODE-SWITCHING;1N4148,100V,200mA,DO-35,	
△	D812	0402-001105	DIODE-RECTIFIER;ERB43-04SV1,400V,1.0A,-,	
....5	D901	0401-000005	DIODE-SWITCHING;1N4148,100V,200mA,DO-35,	
....5	DZ101	0403-000700	DIODE-ZENER;TZP33A,33V,31-35V,1W,DO-41,T	
....5	DZ201	0403-000720	DIODE-ZENER;MTZJ9.1B,9.1V,8.57-9.01V,500	
....5	DZ203	0403-001322	DIODE-ZENER;MTZJ8.2B,7.78-8.19V,500mW,DO	
....5	DZ204	0403-000720	DIODE-ZENER;MTZJ9.1B,9.1V,8.57-9.01V,500	
....5	DZ205	0403-000720	DIODE-ZENER;MTZJ9.1B,9.1V,8.57-9.01V,500	
....5	DZ207	0403-000720	DIODE-ZENER;MTZJ9.1B,9.1V,8.57-9.01V,500	
....5	DZ301	0403-001328	DIODE-ZENER;MTZJ22A,20.15-21.20V,500mW,D	
....5	DZ302	0403-001221	DIODE-ZENER;UZ39BS,35.36-37.19V,500mW,D	
....5	DZ303	0403-000700	DIODE-ZENER;TZP33A,33V,31-35V,1W,DO-41,T	
....5	DZ305	0403-001328	DIODE-ZENER;MTZJ22A,20.15-21.20V,500mW,D	
....5	DZ306	0403-000720	DIODE-ZENER;MTZJ9.1B,9.1V,8.57-9.01V,500	
....5	DZ307	0403-000720	DIODE-ZENER;MTZJ9.1B,9.1V,8.57-9.01V,500	
....5	DZ401	0403-000508	DIODE-ZENER;MTZJ5.6B,5.6V,5.45-5.73V,500	
....5	DZ402	0403-000508	DIODE-ZENER;MTZJ5.6B,5.6V,5.45-5.73V,500	
....5	DZ501	0403-000720	DIODE-ZENER;MTZJ9.1B,9.1V,8.57-9.01V,500	
....5	DZ502	0403-000720	DIODE-ZENER;MTZJ9.1B,9.1V,8.57-9.01V,500	
....5	DZ503	0403-000720	DIODE-ZENER;MTZJ9.1B,9.1V,8.57-9.01V,500	
....5	DZ504	0403-000720	DIODE-ZENER;MTZJ9.1B,9.1V,8.57-9.01V,500	
....5	DZ701	0403-000720	DIODE-ZENER;MTZJ9.1B,9.1V,8.57-9.01V,500	
....5	DZ702	0403-000720	DIODE-ZENER;MTZJ9.1B,9.1V,8.57-9.01V,500	
....5	DZ703	0403-000720	DIODE-ZENER;MTZJ9.1B,9.1V,8.57-9.01V,500	
....5	DZ704	0403-000720	DIODE-ZENER;MTZJ9.1B,9.1V,8.57-9.01V,500	
....5	DZ801	0403-001140	DIODE-ZENER;RD10ESAB-T4,10V,9.19-10.30V,	
....5	DZ802	0403-001318	DIODE-ZENER;MTZJ4.3B,4.17-4.43V,500mW,DO	
....5	DZ803	0403-000699	DIODE-ZENER;TZP27B,27V,27-30.8V,1W,DO-41	
....5	DZ804	0403-000720	DIODE-ZENER;MTZJ9.1B,9.1V,8.57-9.01V,500	
....5	DZ805	0403-001327	DIODE-ZENER;MTZJ18A,16.22-17.06V,500mW,D	
....5	DZ806	0403-001317	DIODE-ZENER;MTZJ3.0B,3.01-3.22V,500mW,DO	
....5	DZ807	0403-000508	DIODE-ZENER;MTZJ5.6B,5.6V,5.45-5.73V,500	
....5	DZ808	0403-000720	DIODE-ZENER;MTZJ9.1B,9.1V,8.57-9.01V,500	
....5	DZ809	0403-000508	DIODE-ZENER;MTZJ5.6B,5.6V,5.45-5.73V,500	
....5	DZ810	0403-000508	DIODE-ZENER;MTZJ5.6B,5.6V,5.45-5.73V,500	
....5	DZ901	0403-001319	DIODE-ZENER;MTZJ4.7C,4.68-4.93V,500mW,DO	
....5	DZ903	0403-000508	DIODE-ZENER;MTZJ5.6B,5.6V,5.45-5.73V,500	
....5	DZ904	0403-000508	DIODE-ZENER;MTZJ5.6B,5.6V,5.45-5.73V,500	
....5	DZ905	0403-000508	DIODE-ZENER;MTZJ5.6B,5.6V,5.45-5.73V,500	

Level	Loc. No.	Code No.	Description ; Specification	Remark	Level	Loc. No.	Code No.	Description ; Specification	Remark
....5	DZ906	0403-001319	DIODE-ZENER;MTZJ4.7C,4.68-4.93V,500mW,DO	5	GT802	AA60-40014A	PIN-GT,ASSY;1P,-,AUTO	S.N.A
....5	DZ907	0403-001319	DIODE-ZENER;MTZJ4.7C,4.68-4.93V,500mW,DO	5	GT803	AA60-40014A	PIN-GT,ASSY;1P,-,AUTO	S.N.A
....5	DZ908	0403-001319	DIODE-ZENER;MTZJ4.7C,4.68-4.93V,500mW,DO	5	GT804	AA60-40014A	PIN-GT,ASSY;1P,-,AUTO	S.N.A
....5	EL301	AA60-40011B	EYELET;ID2.2,OD3.2,-,BSP-	S.N.A5	GT805	AA60-40014A	PIN-GT,ASSY;1P,-,AUTO	S.N.A
....5	EL302	AA60-40011B	EYELET;ID2.2,OD3.2,-,BSP-	S.N.A5	GT806	AA60-40014A	PIN-GT,ASSY;1P,-,AUTO	S.N.A
....5	EL403	AA60-40011B	EYELET;ID2.2,OD3.2,-,BSP-	S.N.A5	GT807	AA60-40014A	PIN-GT,ASSY;1P,-,AUTO	S.N.A
....5	EL404	AA60-40011B	EYELET;ID2.2,OD3.2,-,BSP-	S.N.A5	HIC01	AA13-20004W	IC-HYBRID;-,PAP103T,SIP6PPRE-AMPTP	
....5	EL407	AA60-40011B	EYELET;ID2.2,OD3.2,-,BSP-	S.N.A	△	IC803	1203-001217	IC-POSIA,ADJUST REG.;431,TO-92,3P4.58MIL	
....5	EL408	AA60-40011B	EYELET;ID2.2,OD3.2,-,BSP-	S.N.A5	J125	2001-000016	R-CARBON(S);10HM,5%,1/2W,AA,TP2.4X6.4MM	
....5	EL501	AA60-40011B	EYELET;ID2.2,OD3.2,-,BSP-	S.N.A5	J137	2001-000281	R-CARBON;100OHM,5%,1/8W,AA,TP1.8X3.2MM	
....5	EL502	AA60-40011B	EYELET;ID2.2,OD3.2,-,BSP-	S.N.A5	J142	2701-000115	INDUCTOR-AXIAL;10uH,10%,3x7mm	
....5	EL601	AA60-40011B	EYELET;ID2.2,OD3.2,-,BSP-	S.N.A5	J910	3301-000287	CORE-FERRITE BEAD;AA,3.5x1.0x6.0mm,1500,	
....5	EL602	AA60-40011B	EYELET;ID2.2,OD3.2,-,BSP-	S.N.A5	L101	2701-000326	INDUCTOR-AXIAL;560nH,10%,2.3x3.4mm	
....5	EL801	AA60-40011B	EYELET;ID2.2,OD3.2,-,BSP-	S.N.A5	L102	2701-000159	INDUCTOR-AXIAL;22uH,10%,4.2x9.8mm	
....5	EL802	AA60-40011B	EYELET;ID2.2,OD3.2,-,BSP-	S.N.A5	L103	2701-000114	INDUCTOR-AXIAL;10uH,10%,2.5x3.4mm	
....5	EL804	AA60-40011B	EYELET;ID2.2,OD3.2,-,BSP-	S.N.A5	L104	2701-000168	INDUCTOR-AXIAL;3.3uH,5%,2.5x3.4mm	
....5	EY101	AA60-40011A	EYELET;ID2.0,OD2.8,-,BST-	S.N.A5	L201	2701-000159	INDUCTOR-AXIAL;22uH,10%,4.2x9.8mm	
....5	EY401	AA60-40011A	EYELET;ID2.0,OD2.8,-,BST-	S.N.A5	L202	2701-000114	INDUCTOR-AXIAL;10uH,10%,2.5x3.4mm	
....5	EY402	AA60-40011A	EYELET;ID2.0,OD2.8,-,BST-	S.N.A5	L203	2701-000127	INDUCTOR-AXIAL;15uH,10%,2.5x3.4mm	
....5	EY403	AA60-40011A	EYELET;ID2.0,OD2.8,-,BST-	S.N.A5	L204	2701-000168	INDUCTOR-AXIAL;3.3uH,5%,2.5x3.4mm	
....5	EY404	AA60-40011A	EYELET;ID2.0,OD2.8,-,BST-	S.N.A5	L205	2701-000159	INDUCTOR-AXIAL;22uH,10%,4.2x9.8mm	
....5	EY405	AA60-40011A	EYELET;ID2.0,OD2.8,-,BST-	S.N.A5	L301	2701-000142	INDUCTOR-AXIAL;1uH,10%,2.5x3.4mm	
....5	EY406	AA60-40011A	EYELET;ID2.0,OD2.8,-,BST-	S.N.A5	L302	2701-000142	INDUCTOR-AXIAL;1uH,10%,2.5x3.4mm	
....5	EY407	AA60-40011A	EYELET;ID2.0,OD2.8,-,BST-	S.N.A	△	L403	2901-000297	FILTER-EMI ON BOARD;-3A,-,-,3.5x5,TP-	
....5	EY408	AA60-40011A	EYELET;ID2.0,OD2.8,-,BST-	S.N.A5	L404	2701-000142	INDUCTOR-AXIAL;1uH,10%,2.5x3.4mm	
....5	EY409	AA60-40011A	EYELET;ID2.0,OD2.8,-,BST-	S.N.A5	L405	2701-000159	INDUCTOR-AXIAL;22uH,10%,4.2x9.8mm	
....5	EY410	AA60-40011A	EYELET;ID2.0,OD2.8,-,BST-	S.N.A5	L701	2701-000184	INDUCTOR-AXIAL;4.7uH,10%,2.5x3.4mm	
....5	EY411	AA60-40011A	EYELET;ID2.0,OD2.8,-,BST-	S.N.A5	L702	2701-000184	INDUCTOR-AXIAL;4.7uH,10%,2.5x3.4mm	
....5	EY412	AA60-40011A	EYELET;ID2.0,OD2.8,-,BST-	S.N.A5	L703	2701-000184	INDUCTOR-AXIAL;4.7uH,10%,2.5x3.4mm	
....5	EY414	AA60-40011A	EYELET;ID2.0,OD2.8,-,BST-	S.N.A5	L704	2701-000184	INDUCTOR-AXIAL;4.7uH,10%,2.5x3.4mm	
....5	EY415	AA60-40011A	EYELET;ID2.0,OD2.8,-,BST-	S.N.A5	L802	3301-000287	CORE-FERRITE BEAD;AA,3.5x1.0x6.0mm,1500,	
....5	EY416	AA60-40011A	EYELET;ID2.0,OD2.8,-,BST-	S.N.A5	L803	3301-000287	CORE-FERRITE BEAD;AA,3.5x1.0x6.0mm,1500,	
....5	EY417	AA60-40011A	EYELET;ID2.0,OD2.8,-,BST-	S.N.A5	L804	2701-001030	INDUCTOR-AXIAL;43uH,10%,5x14mm	
....5	EY419	AA60-40011A	EYELET;ID2.0,OD2.8,-,BST-	S.N.A5	L806	2901-000297	FILTER-EMI ON BOARD;-3A,-,-,3.5x5,TP-	
....5	EY420	AA60-40011A	EYELET;ID2.0,OD2.8,-,BST-	S.N.A5	L807	2701-001030	INDUCTOR-AXIAL;43uH,10%,5x14mm	
....5	EY421	AA60-40011A	EYELET;ID2.0,OD2.8,-,BST-	S.N.A5	L808	2901-000297	FILTER-EMI ON BOARD;-3A,-,-,3.5x5,TP-	
....5	EY422	AA60-40011A	EYELET;ID2.0,OD2.8,-,BST-	S.N.A5	L902	2701-000114	INDUCTOR-AXIAL;10uH,10%,2.5x3.4mm	
....5	EY423	AA60-40011A	EYELET;ID2.0,OD2.8,-,BST-	S.N.A5	L903	2701-000158	INDUCTOR-AXIAL;22uH,10%,2.5x3.4mm	
....5	EY501	AA60-40011A	EYELET;ID2.0,OD2.8,-,BST-	S.N.A5	L904	2701-000114	INDUCTOR-AXIAL;10uH,10%,2.5x3.4mm	
....5	EY801	AA60-40011A	EYELET;ID2.0,OD2.8,-,BST-	S.N.A5	PCB	AA41-00131H	PCB-MAIN;CS21D8,FR-1,1L,H,1.6T,245X245,K	S.N.A
....5	EY802	AA60-40011A	EYELET;ID2.0,OD2.8,-,BST-	S.N.A5	Q101	0501-000389	TR-SMALL SIGNAL;KSC815,NPN,400mW,TO-92,T	
....5	EY803	AA60-40011A	EYELET;ID2.0,OD2.8,-,BST-	S.N.A5	Q102	0501-000389	TR-SMALL SIGNAL;KSC815,NPN,400mW,TO-92,T	
....5	EY807	AA60-40011A	EYELET;ID2.0,OD2.8,-,BST-	S.N.A5	Q201	0501-000283	TR-SMALL SIGNAL;KSA539,PNP,400mW,TO-92,T	
....5	EY808	AA60-40011A	EYELET;ID2.0,OD2.8,-,BST-	S.N.A5	Q202	0501-000389	TR-SMALL SIGNAL;KSC815,NPN,400mW,TO-92,T	
....5	EY809	AA60-40011A	EYELET;ID2.0,OD2.8,-,BST-	S.N.A5	Q203	0501-000283	TR-SMALL SIGNAL;KSA539,PNP,400mW,TO-92,T	
....5	EY810	AA60-40011A	EYELET;ID2.0,OD2.8,-,BST-	S.N.A5	Q204	0501-000389	TR-SMALL SIGNAL;KSC815,NPN,400mW,TO-92,T	
....5	EY813	AA60-40011A	EYELET;ID2.0,OD2.8,-,BST-	S.N.A5	Q205	0501-000389	TR-SMALL SIGNAL;KSC815,NPN,400mW,TO-92,T	
....5	EY818	AA60-40011A	EYELET;ID2.0,OD2.8,-,BST-	S.N.A5	Q301	0501-000283	TR-SMALL SIGNAL;KSA539,PNP,400mW,TO-92,T	
....5	EY819	AA60-40011A	EYELET;ID2.0,OD2.8,-,BST-	S.N.A5	Q402	0501-000369	TR-SMALL SIGNAL;KSC2331-Y,NPN,1000mW,TO-	
....5	EY821	AA60-40011A	EYELET;ID2.0,OD2.8,-,BST-	S.N.A5	Q802	0501-000389	TR-SMALL SIGNAL;KSC815,NPN,400mW,TO-92,T	
....5	EY822	AA60-40011A	EYELET;ID2.0,OD2.8,-,BST-	S.N.A5	Q803	0502-000242	TR-POWER;KSA614,PNP,25W,TO-220,TP,40-24	
....5	EY823	AA60-40011A	EYELET;ID2.0,OD2.8,-,BST-	S.N.A5	Q901	0501-000283	TR-SMALL SIGNAL;KSA539,PNP,400mW,TO-92,T	
....5	EY824	AA60-40011A	EYELET;ID2.0,OD2.8,-,BST-	S.N.A5	Q902	0504-000123	TR-DIGITAL;KSR1010,NPN,300mW,10K,TO-92,T	
....5	EY825	AA60-40011A	EYELET;ID2.0,OD2.8,-,BST-	S.N.A5	Q903	0501-000389	TR-SMALL SIGNAL;KSC815,NPN,400mW,TO-92,T	
....5	EY827	AA60-40011A	EYELET;ID2.0,OD2.8,-,BST-	S.N.A5	Q905	0501-000389	TR-SMALL SIGNAL;KSC815,NPN,400mW,TO-92,T	
....5	EY828	AA60-40011A	EYELET;ID2.0,OD2.8,-,BST-	S.N.A5	R103	2001-000008	R-CARBON;15KOHM,5%,1/8W,AA,TP1.8X3.2MM	
....5	EY829	AA60-40011A	EYELET;ID2.0,OD2.8,-,BST-	S.N.A5	R104	2001-000429	R-CARBON;1KOHM,5%,1/8W,AA,TP1.8X3.2MM	
....5	EY830	AA60-40011A	EYELET;ID2.0,OD2.8,-,BST-	S.N.A5	R105	2001-000577	R-CARBON;2KOHM,5%,1/8W,AA,TP1.8X3.2MM	
....5	EY833	AA60-40011A	EYELET;ID2.0,OD2.8,-,BST-	S.N.A5	R106	2001-000290	R-CARBON;10KOHM,5%,1/8W,AA,TP1.8X3.2MM	
....5	EY850	AA60-40011A	EYELET;ID2.0,OD2.8,-,BST-	S.N.A5	R108	2001-000947	R-CARBON;7.5KOHM,5%,1/8W,AA,TP1.8X3.2MM	
....5	EY851	AA60-40011A	EYELET;ID2.0,OD2.8,-,BST-	S.N.A5	R109	2001-000786	R-CARBON;47KOHM,5%,1/8W,AA,TP1.8X3.2MM	
....5	EY852	AA60-40011A	EYELET;ID2.0,OD2.8,-,BST-	S.N.A5	R110	2001-000924	R-CARBON;680OHM,5%,1/8W,AA,TP1.8X3.2MM	
....5	EY853	AA60-40011A	EYELET;ID2.0,OD2.8,-,BST-	S.N.A5	R111	2001-000008	R-CARBON;15KOHM,5%,1/8W,AA,TP1.8X3.2MM	
....5	EY860	AA60-40011A	EYELET;ID2.0,OD2.8,-,BST-	S.N.A5	R112	2001-000577	R-CARBON;2KOHM,5%,1/8W,AA,TP1.8X3.2MM	
....5	EY861	AA60-40011A	EYELET;ID2.0,OD2.8,-,BST-	S.N.A5	R113	2001-000429	R-CARBON;1KOHM,5%,1/8W,AA,TP1.8X3.2MM	
....5	F801A	3602-000114	FUSE-HOLDER;-,-,30mohm	5	R114	2001-000290	R-CARBON;10KOHM,5%,1/8W,AA,TP1.8X3.2MM	
△	F801B	3602-000114	FUSE-HOLDER;-,-,30mohm	5	R117	2001-000924	R-CARBON;680OHM,5%,1/8W,AA,TP1.8X3.2MM	
△	F801S	3601-001163	FUSE-AXIAL LEAD;125V,7A,-,EPOXY,2.4X7.1MM	S.N.A5	R202	2001-000689	R-CARBON;390KOHM,5%,1/8W,AA,TP1.8X3.2MM	
....5	GT101	AA60-40014A	PIN-GT,ASSY;1P,-,AUTO	S.N.A5	R203	2001-000857	R-CARBON;560OHM,5%,1/8W,AA,TP1.8X3.2MM	
....5	GT301	AA60-40014A	PIN-GT,ASSY;1P,-,AUTO	S.N.A5	R204	2001-000857	R-CARBON;560OHM,5%,1/8W,AA,TP1.8X3.2MM	
....5	GT302	AA60-40014A	PIN-GT,ASSY;1P,-,AUTO	S.N.A5	R205	2001-000011	R-CARBON;75KOHM,5%,1/8W,AA,TP1.8X3.2MM	
....5	GT401	AA60-40014A	PIN-GT,ASSY;1P,-,AUTO	S.N.A5	R206	2001-000563	R-CARBON;27KOHM,5%,1/8W,AA,TP1.8X3.2MM	
....5	GT402	AA60-40014A	PIN-GT,ASSY;1P,-,AUTO	S.N.A5	R207	2001-000005	R-CARBON;390ohm,5%,1/8W,AA,TP1.8x3.2mm	
....5	GT501	AA60-40014A	PIN-GT,ASSY;1P,-,AUTO	S.N.A5	R208	2001-000591	R-CARBON;3.3KOHM,5%,1/8W,AA,TP1.8X3.2MM	
....5	GT502	AA60-40014A	PIN-GT,ASSY;1P,-,AUTO	S.N.A5	R209	2001-000793	R-CARBON;470OHM,5%,1/8W,AA,TP1.8X3.2MM	
....5	GT801	AA60-40014A	PIN-GT,ASSY;1P,-,AUTO	S.N.A5	R210	2001-000857	R-CARBON;560OHM,5%,1/8W,AA,TP1.8X3.2MM	

Level	Loc. No.	Code No.	Description ; Specification	Remark	Level	Loc. No.	Code No.	Description ; Specification	Remark
....5	R211	2001-000281	R-CARBON;100OHM,5%,1/8W,AA,TP,1.8X3.2MM	5	R824	2008-001062	R-FUSIBLE;39ohm,5%,2W,AF,TP,3.9x10mm	
....5	R212	2001-000405	R-CARBON;180OHM,5%,1/8W,AA,TP,1.8X3.2MM	5	R825	2008-001076	R-FUSIBLE(S);1.8ohm,5%,2W,AF,TP,3.9x10mm	
....5	R213	2001-000281	R-CARBON;100OHM,5%,1/8W,AA,TP,1.8X3.2MM	5	R826	2001-000290	R-CARBON;10KOHM,5%,1/8W,AA,TP,1.8X3.2MM	
....5	R214	2001-000325	R-CARBON;120OHM,5%,1/8W,AA,TP,1.8X3.2MM	5	R827	2003-000998	R-METAL OXIDE;300ohm,5%,2W,AF,TP,3.9x10m	
....5	R215	2001-000281	R-CARBON;100OHM,5%,1/8W,AA,TP,1.8X3.2MM	5	R828	2001-000290	R-CARBON;10KOHM,5%,1/8W,AA,TP,1.8X3.2MM	
....5	R218	2001-000008	R-CARBON;15KOHM,5%,1/8W,AA,TP,1.8X3.2MM	5	R829	2001-000563	R-CARBON;27KOHM,5%,1/8W,AA,TP,1.8X3.2MM	
....5	R219	2004-001914	R-METAL;39Kohm,2%,1/8W,AA,TP,1.8x3.5mm	5	R830	2001-000734	R-CARBON;4.7KOHM,5%,1/8W,AA,TP,1.8X3.2MM	
....5	R222	2001-000947	R-CARBON;7.5KOHM,5%,1/8W,AA,TP,1.8X3.2MM	5	R831	2001-001192	R-CARBON(S);820OHM,5%,1/2W,AA,TP,2.4X6.4	
....5	R223	2001-000281	R-CARBON;100OHM,5%,1/8W,AA,TP,1.8X3.2MM	5	R832	2001-001088	R-CARBON(S);1KOHM,5%,1/2W,AA,TP,2.4X6.4M	
....5	R224	2001-000290	R-CARBON;10KOHM,5%,1/8W,AA,TP,1.8X3.2MM	5	R834	2003-001040	R-METAL OXIDE(S);47Kohm,5%,2W,AF,TP,3.9x	
....5	R225	2001-000281	R-CARBON;100OHM,5%,1/8W,AA,TP,1.8X3.2MM	5	R837	2003-002064	R-METAL OXIDE;7.5ohm,5%,2W,AF,TP,10x3.9m	
....5	R227	2001-000739	R-CARBON;4.7MOHM,5%,1/8W,AA,TP,1.8X3.2MM	5	R838	2003-002064	R-METAL OXIDE;7.5ohm,5%,2W,AF,TP,10x3.9m	
....5	R228	2001-000739	R-CARBON;4.7MOHM,5%,1/8W,AA,TP,1.8X3.2MM	5	R839	2003-002064	R-METAL OXIDE;7.5ohm,5%,2W,AF,TP,10x3.9m	
....5	R230	2001-000221	R-CARBON;1.2KOHM,5%,1/8W,AA,TP,1.8X3.2MM	5	R840	2001-001108	R-CARBON(S);22KOHM,5%,1/2W,AA,TP,2.4X6.4	
....5	R301	2001-000016	R-CARBON(S);10HM,5%,1/2W,AA,TP,2.4X6.4MM	5	R841	2001-000734	R-CARBON;4.7KOHM,5%,1/8W,AA,TP,1.8X3.2MM	
....5	R302	2004-004366	R-METAL(S);1.3Kohm,1%,1/2W,AA,TP,2.5x6.5	5	R843	2001-000019	R-CARBON(S);100HM,5%,1/2W,AA,TP,2.4X6.4M	
....5	R303	2003-002070	R-METAL OXIDE;1ohm,5%,2W,AF,TP,3.9x10mm	5	R850	2001-001170	R-CARBON(S);6.8OHM,5%,1/2W,AA,TP,2.4X6.4	
....5	R304	2008-000253	R-FUSIBLE(S);0.47ohm,5%,1W,AF,TP,3.9x10m	5	R901	2001-000472	R-CARBON;2.7KOHM,5%,1/8W,AA,TP,1.8X3.2MM	
....5	R305	2008-000253	R-FUSIBLE(S);0.47ohm,5%,1W,AF,TP,3.9x10m	5	R902	2001-000241	R-CARBON;1.5KOHM,5%,1/8W,AA,TP,1.8X3.2MM	
....5	R306	2004-004366	R-METAL(S);1.3Kohm,1%,1/2W,AA,TP,2.5x6.5	5	R903	2001-000472	R-CARBON;2.7KOHM,5%,1/8W,AA,TP,1.8X3.2MM	
....5	R307	2001-000290	R-CARBON;10KOHM,5%,1/8W,AA,TP,1.8X3.2MM	5	R904	2001-000241	R-CARBON;1.5KOHM,5%,1/8W,AA,TP,1.8X3.2MM	
....5	R308	2001-001093	R-CARBON(S);2.2KOHM,5%,1/2W,AA,TP,2.4X6.4	5	R905	2001-000005	R-CARBON;390ohm,5%,1/8W,AA,TP,1.8x3.2mm	
....5	R313	2001-000258	R-CARBON;1.8KOHM,5%,1/8W,AA,TP,1.8X3.2MM	5	R906	2001-000005	R-CARBON;390ohm,5%,1/8W,AA,TP,1.8x3.2mm	
....5	R314	2003-000537	R-METAL OXIDE(S);1Kohm,5%,1W,AF,TP,3.3x9	5	R907	2001-000472	R-CARBON;2.7KOHM,5%,1/8W,AA,TP,1.8X3.2MM	
....5	R315	2003-002009	R-METAL OXIDE(S);390ohm,5%,2W,AF,TP,3.9x	5	R908	2001-000472	R-CARBON;2.7KOHM,5%,1/8W,AA,TP,1.8X3.2MM	
....5	R316	2003-002009	R-METAL OXIDE(S);390ohm,5%,2W,AF,TP,3.9x	5	R909	2001-000281	R-CARBON;100OHM,5%,1/8W,AA,TP,1.8X3.2MM	
....5	R402	2003-002178	R-METAL OXIDE(S);1Kohm,5%,2W,AG,TP,3.9x1	5	R910	2001-000290	R-CARBON;10KOHM,5%,1/8W,AA,TP,1.8X3.2MM	
....5	R403	2003-000784	R-METAL OXIDE(S);7.5Kohm,5%,2W,AF,TP,4x1	5	R911	2001-000281	R-CARBON;100OHM,5%,1/8W,AA,TP,1.8X3.2MM	
....5	R405	2001-001116	R-CARBON(S);270HM,5%,1/2W,AA,TP,2.4X6.4M	5	R912	2001-000281	R-CARBON;100OHM,5%,1/8W,AA,TP,1.8X3.2MM	
....5	R407	2003-002209	R-METAL OXIDE(S);47Kohm,5%,2W,AG,TP,3.9X	5	R913	2001-000281	R-CARBON;100OHM,5%,1/8W,AA,TP,1.8X3.2MM	
....5	R408	2001-001037	R-CARBON(S);0.390HM,5%,1/2W,AA,TP,2.4X6.4	5	R914	2001-000281	R-CARBON;100OHM,5%,1/8W,AA,TP,1.8X3.2MM	
....5	R409	2001-000022	R-CARBON(S);330OHM,5%,1/2W,AA,TP,2.4X6.4M	5	R915	2001-000924	R-CARBON;680OHM,5%,1/8W,AA,TP,1.8X3.2MM	
....5	R411	2001-001114	R-CARBON(S);270OHM,5%,1/2W,AA,TP,2.4X6.4	5	R916	2001-000449	R-CARBON;2.2KOHM,5%,1/8W,AA,TP,1.8X3.2MM	
....5	R413	2003-002130	R-METAL OXIDE(S);15ohm,5%,2W,AF,TP,3.9x1	5	R917	2001-000449	R-CARBON;2.2KOHM,5%,1/8W,AA,TP,1.8X3.2MM	
....5	R414	2001-001078	R-CARBON(S);15KOHM,5%,1/2W,AA,TP,2.4X6.4	5	R918	2001-000429	R-CARBON;1KOHM,5%,1/8W,AA,TP,1.8X3.2MM	
....5	R420	2008-001110	R-FUSIBLE(S);68ohm,5%,2W,AG,TP,3.9X12mm	5	R919	2001-000290	R-CARBON;10KOHM,5%,1/8W,AA,TP,1.8X3.2MM	
....5	R421	2008-001114	R-FUSIBLE(S);1.5ohm,5%,2W,AG,TP,3.9x12mm	5	R920	2001-000290	R-CARBON;10KOHM,5%,1/8W,AA,TP,1.8X3.2MM	
....5	R423	2004-001373	R-METAL(S);100Kohm,1%,1/2W,AA,TP,2.4x6.4	5	R921	2001-000290	R-CARBON;10KOHM,5%,1/8W,AA,TP,1.8X3.2MM	
....5	R424	2004-001402	R-METAL(S);6.8Kohm,1%,1/2W,AA,TP,2.4x6.4	5	R922	2001-000290	R-CARBON;10KOHM,5%,1/8W,AA,TP,1.8X3.2MM	
....5	R501	2001-000281	R-CARBON;100OHM,5%,1/8W,AA,TP,1.8X3.2MM	5	R923	2001-000273	R-CARBON;100KOHM,5%,1/8W,AA,TP,1.8X3.2MM	
....5	R501H	2002-001008	R-COMPOSITION;1.8Kohm,10%,1/2W,AA,TP,3.7	5	R924	2001-000290	R-CARBON;10KOHM,5%,1/8W,AA,TP,1.8X3.2MM	
....5	R502	2001-000281	R-CARBON;100OHM,5%,1/8W,AA,TP,1.8X3.2MM	5	R925	2001-000734	R-CARBON;4.7KOHM,5%,1/8W,AA,TP,1.8X3.2MM	
....5	R502H	2002-001008	R-COMPOSITION;1.8Kohm,10%,1/2W,AA,TP,3.7	5	R926	2001-000429	R-CARBON;1KOHM,5%,1/8W,AA,TP,1.8X3.2MM	
....5	R503	2002-001008	R-COMPOSITION;1.8Kohm,10%,1/2W,AA,TP,3.7	5	R927	2001-000793	R-CARBON;470HM,5%,1/8W,AA,TP,1.8X3.2MM	
....5	R504	2001-001062	R-CARBON(S);10MOHM,5%,1/2W,AA,TP,2.4X6.4	5	R928	2001-000290	R-CARBON;10KOHM,5%,1/8W,AA,TP,1.8X3.2MM	
....5	R505	2008-001011	R-FUSIBLE(S);0.18ohm,10%,2W,AF,TP,3.9x10	5	R929	2001-000563	R-CARBON;27KOHM,5%,1/8W,AA,TP,1.8X3.2MM	
....5	R506	2001-000281	R-CARBON;100OHM,5%,1/8W,AA,TP,1.8X3.2MM	5	R931	2001-000429	R-CARBON;1KOHM,5%,1/8W,AA,TP,1.8X3.2MM	
....5	R510	2001-000281	R-CARBON;100OHM,5%,1/8W,AA,TP,1.8X3.2MM	5	R932	2001-000325	R-CARBON;120OHM,5%,1/8W,AA,TP,1.8X3.2MM	
....5	R511	2001-000281	R-CARBON;100OHM,5%,1/8W,AA,TP,1.8X3.2MM	5	R933	2001-000281	R-CARBON;100OHM,5%,1/8W,AA,TP,1.8X3.2MM	
....5	R512	2001-000281	R-CARBON;100OHM,5%,1/8W,AA,TP,1.8X3.2MM	5	R934	2001-000281	R-CARBON;100OHM,5%,1/8W,AA,TP,1.8X3.2MM	
....5	R601	2001-000878	R-CARBON;6.2KOHM,5%,1/8W,AA,TP,1.8X3.2MM	5	RW701	2011-001133	R-NETWORK;33K/24K/75x3,5%,1/8W,X,SIP6P,	
....5	R602	2001-000472	R-CARBON;2.7KOHM,5%,1/8W,AA,TP,1.8X3.2MM		△	RX801S	2002-001011	R-COMPOSITION;3.3Mohm,5%,1/2W,AA,TP,3.7x	
....5	R605	2001-000472	R-CARBON;2.7KOHM,5%,1/8W,AA,TP,1.8X3.2MM		△	RY801S	2002-001012	R-COMPOSITION;8.2Mohm,5%,1/2W,AA,TP,3.7x	
....5	R607	2001-000878	R-CARBON;6.2KOHM,5%,1/8W,AA,TP,1.8X3.2MM	5	SW901	3404-000244	SWITCH-TACT;15V,20mA,90-170gf,7.5x7mm,SP	
....5	R618	2001-000019	R-CARBON(S);100HM,5%,1/2W,AA,TP,2.4X6.4M	5	SW902	3404-000244	SWITCH-TACT;15V,20mA,90-170gf,7.5x7mm,SP	
....5	R619	2001-000019	R-CARBON(S);100HM,5%,1/2W,AA,TP,2.4X6.4M	5	SW903	3404-000244	SWITCH-TACT;15V,20mA,90-170gf,7.5x7mm,SP	
....5	R702	2001-000969	R-CARBON;750HM,5%,1/8W,AA,TP,1.8X3.2MM	5	SW904	3404-000244	SWITCH-TACT;15V,20mA,90-170gf,7.5x7mm,SP	
....5	R712	2001-000857	R-CARBON;560OHM,5%,1/8W,AA,TP,1.8X3.2MM	5	SW905	3404-000244	SWITCH-TACT;15V,20mA,90-170gf,7.5x7mm,SP	
....5	R715	2001-000857	R-CARBON;560OHM,5%,1/8W,AA,TP,1.8X3.2MM	5	T101	AA26-00025A	TRANS-IF;7MG,-,-,10pF,-,58.35MHz,7.7x7	
....5	R718	2001-000281	R-CARBON;100OHM,5%,1/8W,AA,TP,1.8X3.2MM		△	VX801S	1405-000187	VARISTOR;750V,1250A,12.5x7mm,TP	
....5	R719	2001-000969	R-CARBON;750HM,5%,1/8W,AA,TP,1.8X3.2MM	5	X901	2801-003937	CRYSTAL-UNIT;12MHz,25ppm,28-AAM,30pF,30o	
....5	R720	2001-000969	R-CARBON;750HM,5%,1/8W,AA,TP,1.8X3.2MM	5	Z201	2903-000129	FILTER-CERAMIC;BR,4.5MHz,-,-,TP-	
....5	R801	2003-002171	R-METAL OXIDE(S);150ohm,5%,2W,AG,TP,3.9x	5	Z202	2903-001240	FILTER-CERAMIC;TR,5.5MHz,-,28dB,-,TP-	
....5	R803	2003-000994	R-METAL OXIDE(S);33Kohm,5%,2W,AF,TP,3.9x	5	Z203	2903-001246	FILTER-CERAMIC;TR,5.5MHz,-,-,TPmulti	
....5	R804	2003-000994	R-METAL OXIDE(S);33Kohm,5%,2W,AF,TP,3.9x	3	AA65-30111A	CLAMP-WIRE;ALL MODEL,NYLON,VD,-,WHT,1T 1	S.N.A	
....5	R805	2001-001170	R-CARBON(S);6.8OHM,5%,1/2W,AA,TP,2.4X6.4	3	AA39-20010D	LEAD CONNECTOR-ASSY;1PYFH800-01,S,400,		
....5	R808	2001-000109	R-CARBON(S);470OHM,5%,1/2W,AA,TP,2.4X6.4	3	AA65-30009A	CLAMP-FBT;-ABS,VO,-,BLK-	S.N.A	
....5	R809	2001-001150	R-CARBON(S);470KOHM,5%,1/2W,AA,TP,2.4X6.4	3	AA65-30018A	CLAMP-WIRE;DONG-A,NYLON-66,-,-,DATL-60	S.N.A	
....5	R810	2001-001150	R-CARBON(S);470KOHM,5%,1/2W,AA,TP,2.4X6.4						
....5	R814	2008-001113	R-FUSIBLE(S);0.22ohm,10%,2W,AG,TP,3.9x12						
....5	R815	2008-001113	R-FUSIBLE(S);0.22ohm,10%,2W,AG,TP,3.9x12						
....5	R817	2004-004089	R-METAL(S);123Kohm,1%,1/2W,AA,TP,2.5x6.5						
....5	R818	2004-001399	R-METAL(S);5.1Kohm,1%,1/2W,AA,TP,2.4x6.4						
....5	R819	2004-001390	R-METAL(S);1Kohm,2%,1/2W,AA,TP,2.4x6.4mm						
....5	R821	2001-001125	R-CARBON(S);300KOHM,5%,1/2W,AA,TP,2.4X6.4						
....5	R822	2004-001983	R-METAL(S);2.49Kohm,1%,1/2W,AA,TP,2.4x6.4						
....5	R823	2001-000037	R-CARBON(S);330OHM,5%,1/2W,AA,TP,2.4X6.4						

7-6 CS21S4ZX/AWE

Level	Loc. No.	Code No.	Description ; Specification	Remark
ASSY CHASSIS				
1	*	AA91-01697S	ASSY CHASSIS;CS21S4ZX/AWE	
.2		AA94-07598R	ASSY PCB MAIN;CS21S4ZX/AWE,KS1A,NIGERIA	S.N.A
...3	C901	2305-000412	C-FILM,MPEF;470nF,5%,63V,TP,-,5mm	
...3	CLAMP	AA65-30018A	CLAMP-WIRE;DONG-A,NYLON-66,-,-,DATL-60	S.N.A
...3	CN501	AA39-20620C	LEAD CONNECTOR-ASSY;9PYBNH250-09,S,500	
△	D806	AA96-00243D	ASSY H/S,-,BRIDGE,AA62-00045A,D06U20S,DR	S.N.A
...4		0205-000129	GREASE-SILICON;SC102,JAPAN	S.N.A
...4		0402-001374	DIODE-RECTIFIER;FFP06U20S,200V,6A,TO-22	
...4		6003-000335	SCREW-TAPTITE;RH,+2S,M3,L8,ZPC(YEL),SWR	S.N.A
...4		AA62-00045A	HEAT SINK-PS,-,T1.0,-,DREAM,-,-,-,-	S.N.A
△	IC201S	AA09-00222A	IC MICOM;SPM802MAN1-0527,SPM802MAN1-0527	
...3	IC301	AA96-00244A	ASSY H/S,-,AA62-00046A,LA7840,-	S.N.A
...4		0205-000129	GREASE-SILICON;SC102,JAPAN	S.N.A
...4		1204-001483	IC-VERTICAL PROCESSOR;LA7840,SIP;7P,708MI	
...4		6003-000335	SCREW-TAPTITE;RH,+2S,M3,L8,ZPC(YEL),SWR	S.N.A
...4		AA62-00046A	HEAT SINK-PS,-,T1.0,-,D1(DREAM) 60X25X	S.N.A
...3	IC601	AA96-00244G	ASSY H/S;-AUDIO,AA62-00046A,TDA8944J,BR	S.N.A
...4		AA62-00046A	HEAT SINK-PS,-,T1.0,-,D1(DREAM) 60X25X	S.N.A
...4		AA61-10162B	BRACKET-IC,-,SBHG-1,T1.0,-,-,100	S.N.A
...4		6003-000335	SCREW-TAPTITE;RH,+2S,M3,L8,ZPC(YEL),SWR	S.N.A
...4		1201-001741	IC-AUDIO AMP;TDA8944J,DBS,17P;937MIL,DUA	
...4		0205-000129	GREASE-SILICON;SC102,JAPAN	S.N.A
...3	Q401	0502-001160	TR-POWER;2SD2499,NPN,50000mW,TO-3P,BK-8	
...3	R600	2006-001020	R-CEMENT;3.90HM,5%,5V,CJ,TP;10.5X14X23.5	
△	T444S	AA26-00098A	TRANS FBT;FSA38032M,-,3.53mH,-,-,125V,	
△	T801S	AA26-00043B	TRANS SWITCHING,-,CS21S5T,80-280V,PM2,PL3	
...3		AA65-30111A	CLAMP-WIRE;ALL MODEL,NYLON,VO,-,WHT,1T 1	S.N.A
...3		0202-000187	SOLDER-WIRE FLUX,-,RS60S,D1.263Sn/37Pb	S.N.A
...3		AA97-03464A	ASSY ROBOT-MAIN;CS21S4ZX/AWE,KS1A,NIGERIA	S.N.A
...4	C801	2401-003339	C-AL;220uF,20%,400V,GP,ST,30x35,10	
...4	CN701	3711-000628	CONNECTOR-HEADER,-,11P,1R,2.5mm,STRAIGHT	
△	CR402S	2306-000188	C-FILM,MPPF;330nF,5%,400V,TP26x19.5x11,	
△	CR410S	2303-001015	C-FILM,PPF;5.5nF,5%,1.6kV,TP;29x9.5x17.2	
△	CX801S	2306-000318	C-FILM,MPPF;220nF,20%,250V,TP,-,22.5mm	
△	CY801S	2201-000446	C-CERAMIC,DISC;3.3nF,20%,400V,Y5U,TP;15x	
△	FP801S	3601-000281	FUSE-CARTRIDGE;250V,4A,TIME-LAG,GLASS,5.	
...4	IC101	1204-001583	IC-IF CIRCUIT;U4468B,DIP,16P,-,PLASTIC,5	
...4	IC501	AA96-50311A	ASSY-H/S;-VIDEO,AA62-30175D,TDA6107Q,-	S.N.A
...5		1201-001159	IC-VIDEO AMP;6107,ZSIP,9P,-,SINGLE,-,PLA	
...5		6003-000334	SCREW-TAPTITE;RH,+2S,M3,L6,ZPC(YEL),SWR	S.N.A
...5		AA62-30175D	HEAT-SINK,PS,-,SECC,T1.0,-,33X15X30 FT-2	S.N.A
△	IC801S	AA96-00242A	ASSY H/S;-AA62-30186B,KA500765R,-	S.N.A
...5		0205-000129	GREASE-SILICON;SC102,JAPAN	S.N.A
...5		1203-001932	IC-PWM CONTROLLER;5Q0765,TO-220F,5P;185M	
...5		6003-000333	SCREW-TAPTITE;RH,+2S,M3,L10,ZPC(YEL),SW	S.N.A
...5		AA62-30186B	HEAT SINK-ES,-,-,SILVER,171J + COVER-H	S.N.A
△	IC802	AA96-00245A	ASSY H/S;-AA62-00055A,KA7632,-	S.N.A
...5		1203-001939	IC-POSI.FIXED REG.;7632,SIP,10P,-,PLASTI	
...5		6003-000334	SCREW-TAPTITE;RH,+2S,M3,L6,ZPC(YEL),SWR	S.N.A
...5		AA62-00055A	HEAT SINK-PS,-,T1.0,-,35*15*25.D1,-,-	S.N.A
...4	IC902	1103-001200	IC-EEPROM;M24C08-WB,N6,1024x8BIT,DIP,8P;3	
...4	JS701	3722-000183	JACK-SCART;21P,4mm,SN,BLK,NO	
...4	LD901	AA96-00555A	ASSY LED GUIDE,-,UEX-LD-030,GREEN	S.N.A
△	LR401S	AA27-00053A	COIL-LINEARLITY,-,193uH,DR10X10 C:4.35,7	
△	LX801S	AA29-30001D	FILTER-LINE NOISE;SQ1913,-,6.0MH,0.8A,-	
△	NT802S	1404-001045	THERMISTOR-NTC;4.7ohm,15%,2900K,35.0mW,T	
△	P803S	1404-001156	THERMISTOR-PTC;90HM,+30%/-20%,220VRMS,27	
△	PC801S	0604-001032	PHOTO-COUPLER;TR,170-260%,300mV,DIP,4,ST	
...4	RM901	AA32-00009A	MODULE REMOCON;FRP-3521H3,38KHZ,940NM,ME	
△	SF101S	2904-001143	FILTER-SAW AV;38.9MHz,SIP5K,ST,18dB,B/G,	
△	SF102S	2904-001224	FILTER-SAW AV;38.9MHz,SIP5K,ST,16.3dB,B/	
△	SW801S	3403-001107	SWITCH-PUSH;250V,5A,DPST,-,KDC-A04	
△	T401	AA26-50001B	TRANS-HORIZ.DRIVE,-,-,7.1mH,-,102uH	
△	TU01S	AA40-00076A	TUNER;TECC0949G35A(S),PAL,181CH,38.9MHZ	
△	V999S	3704-001105	SOCKET-CRT;11P,20PI,26.5PI,NI,-	
...4		AA97-04842A	ASSY AUTO-MAIN;CS21S4ZX/AWE,KS1A,NIGERIA	S.N.A
...5	C101	2401-001101	C-AL;330uF,20%,16V,GP,TP,8x11.5,5	
...5	C102	2202-000279	C-CERAMIC,MLC-AXIAL;47pF,5%,50V,SL,TP,3.	
...5	C103	2305-000665	C-FILM,MPEF;100nF,5%,63V,TP,7.5x4.0x5.0m	

Level	Loc. No.	Code No.	Description ; Specification	Remark
...5	C104	2202-000796	C-CERAMIC,MLC-AXIAL;1nF,10%,50V,Y5P,TP,3	
...5	C105	2202-000127	C-CERAMIC,MLC-AXIAL;10nF,+80-20%,25V,Y5V	
...5	C106	2202-000127	C-CERAMIC,MLC-AXIAL;10nF,+80-20%,25V,Y5V	
...5	C107	2202-000796	C-CERAMIC,MLC-AXIAL;1nF,10%,50V,Y5P,TP,3	
...5	C108	2202-000127	C-CERAMIC,MLC-AXIAL;10nF,+80-20%,25V,Y5V	
...5	C109	2301-000224	C-FILM,PEF;22nF,5%,50V,TP,7.4x3.9x13mm,5	
...5	C110	2401-000914	C-AL;22uF,20%,16V,GP,TP,5x11.5	
...5	C111	2202-000127	C-CERAMIC,MLC-AXIAL;10nF,+80-20%,25V,Y5V	
...5	C113	2401-000914	C-AL;22uF,20%,16V,GP,TP,5x11.5	
...5	C114	2201-000611	C-CERAMIC,DISC;0.056nF,5%,50V,NP0,TP,7x3	
...5	C115	2202-000632	C-CERAMIC,MLC-AXIAL;100nF,20%,50V,Z5U,TP	
...5	C117	2202-000127	C-CERAMIC,MLC-AXIAL;10nF,+80-20%,25V,Y5V	
...5	C118	2301-000383	C-FILM,PEF;10nF,5%,50V,TP,6x7x3.2mm,5mm	
...5	C119	2401-000027	C-AL;4.7uF,20%,50V,GP,TP,5x11.5	
...5	C120	2401-000027	C-AL;4.7uF,20%,50V,GP,TP,5x11.5	
...5	C121	2305-000412	C-FILM,MPEF;470nF,5%,63V,TP,-,5mm	
...5	C203	2401-001176	C-AL;33uF,20%,25V,GP,TP,5x11.5	
...5	C204	2305-000665	C-FILM,MPEF;100nF,5%,63V,TP,7.5x4.0x5.0m	
...5	C205	2305-000665	C-FILM,MPEF;100nF,5%,63V,TP,7.5x4.0x5.0m	
...5	C206	2401-002235	C-AL;10uF,20%,16V,GP,TP,5x11mm,5mm	
...5	C207	2305-000412	C-FILM,MPEF;470nF,5%,63V,TP,-,5mm	
...5	C208	2305-000665	C-FILM,MPEF;100nF,5%,63V,TP,7.5x4.0x5.0m	
...5	C209	2401-001840	C-AL;100uF,20%,16V,GP,TP,6.3x11.5	
...5	C210	2305-000665	C-FILM,MPEF;100nF,5%,63V,TP,7.5x4.0x5.0m	
...5	C211	2202-000632	C-CERAMIC,MLC-AXIAL;100nF,20%,50V,Z5U,TP	
...5	C212	2401-000647	C-AL;2.2uF,20%,50V,BPT,5x11.5	
...5	C213	2401-001840	C-AL;100uF,20%,16V,GP,TP,6.3x11.5	
...5	C214	2401-001840	C-AL;100uF,20%,16V,GP,TP,6.3x11.5	
...5	C215	2305-000289	C-FILM,MPEF;220nF,5%,63V,TP,-,5mm	
...5	C216	2305-000289	C-FILM,MPEF;220nF,5%,63V,TP,-,5mm	
...5	C217	2301-000342	C-FILM,PEF;2.2nF,5%,50V,TP,7.4x3.9x13mm,	
...5	C218	2305-000665	C-FILM,MPEF;100nF,5%,63V,TP,7.5x4.0x5.0m	
...5	C219	2401-000603	C-AL;1uF,20%,50V,GP,TP,5x11.5	
...5	C220	2401-002235	C-AL;10uF,20%,16V,GP,TP,5x11mm,5mm	
...5	C221	2401-000660	C-AL;2.2uF,20%,50V,GP,TP,5x11.5	
...5	C222	2401-000758	C-AL;220nF,20%,50V,GP,TP,5x11.5	
...5	C223	2202-000796	C-CERAMIC,MLC-AXIAL;1nF,10%,50V,Y5P,TP,3	
...5	C224	2202-000796	C-CERAMIC,MLC-AXIAL;1nF,10%,50V,Y5P,TP,3	
...5	C225	2309-000138	C-FILM,PE-PPF;100nF,5%,50V,TP,20x16x8.5,	
...5	C226	2202-000829	C-CERAMIC,MLC-AXIAL;.82nF,10%,50V,Y5P,TP,3	
...5	C227	2301-000445	C-FILM,PEF;4.7nF,5%,50V,TP,5.5x7x3mm,5mm	
...5	C229	2401-001840	C-AL;100uF,20%,16V,GP,TP,6.3x11.5	
...5	C230	2305-000665	C-FILM,MPEF;100nF,5%,63V,TP,7.5x4.0x5.0m	
...5	C231	2305-000665	C-FILM,MPEF;100nF,5%,63V,TP,7.5x4.0x5.0m	
...5	C233	2305-000289	C-FILM,MPEF;220nF,5%,63V,TP,-,5mm	
...5	C234	2301-000342	C-FILM,PEF;2.2nF,5%,50V,TP,7.4x3.9x13mm,	
...5	C248	2301-000445	C-FILM,PEF;4.7nF,5%,50V,TP,5.5x7x3mm,5mm	
...5	C301	2305-000285	C-FILM,MPEF;220nF,5%,100V,TP,10.5x5.5x15	
...5	C302	2201-000259	C-CERAMIC,DISC;0.18nF,10%,500V,Y5P,TP,5.	
...5	C303	2201-000556	C-CERAMIC,DISC;0.47nF,10%,500V,Y5P,TP,5.	
...5	C304	2401-002288	C-AL;470uF,20%,25V,WT,TP,10x20,5	
...5	C305	2201-000556	C-CERAMIC,DISC;0.47nF,10%,500V,Y5P,TP,5.	
...5	C306	2401-002288	C-AL;470uF,20%,25V,WT,TP,10x20,5	
...5	C307	2401-000360	C-AL;100uF,20%,50V,GP,TP,8x11.5,5	
...5	C308	2401-000360	C-AL;100uF,20%,50V,GP,TP,8x11.5,5	
...5	C309	2301-000254	C-FILM,PEF;39nF,5%,50V,TP,7.5x3.5x6.5mm,	
...5	C310	2401-000223	C-AL;100nF,20%,50V,LL,TP,5x11mm,5mm	
...5	C312	2305-000149	C-FILM,MPEF;100nF,5%,100V,TP,12x12.5x6.5	
...5	C403	2401-000560	C-AL;1uF,20%,160V,GP,TP,6.3x11.5	
...5	C406	2401-002619	C-AL;47uF,20%,25V,GP,TP,5x11.5	
...5	C407	2301-000383	C-FILM,PEF;10nF,5%,50V,TP,6x7x3.2mm,5mm	
...5	C408	2201-000599	C-CERAMIC,DISC;0.56nF,10%,500V,Y5P,TP,5.	
...5	C420	2301-001065	C-FILM,MPPF;47nF,5%,630V,TP,19x15.5x7.7.	
...5	C502	2301-000213	C-FILM,PEF;220nF,5%,250V,TP,21.5x11.7,5	
...5	C503	2201-000723	C-CERAMIC,DISC;4.7nF,20%,3KV,Y5U,TP,16x5	
...5	C504	2401-001232	C-AL;4.7uF,20%,250V,GP,TP,10x12.5,5	
...5	C505	2202-000825	C-CERAMIC,MLC-AXIAL;680pF,10%,50V,Y5P,TP	
...5	C506	2401-000430	C-AL;10uF,20%,250V,GP,TP,10x16mm,5m	
...5	C601	2401-001998	C-AL;100uF,20%,25V,GP,TP,10x20,5mm	
...5	C603	2305-000289	C-FILM,MPEF;220nF,5%,63V,TP,-,5mm	
...5	C604	2401-000660	C-AL;2.2uF,20%,50V,GP,TP,5x11.5	
...5	C605	2401-000660	C-AL;2.2uF,20%,50V,GP,TP,5x11.5	

Level	Loc. No.	Code No.	Description ; Specification	Remark
....5	C606	2301-000383	C-FILM,PEF;10nF,5%,50V,TP6x7x3.2mm,5mm	
....5	C607	2305-000289	C-FILM,MPEF;220nF,5%,63V,TP-,5mm	
....5	C610	2301-000383	C-FILM,PEF;10nF,5%,50V,TP6x7x3.2mm,5mm	
....5	C611	2305-000289	C-FILM,MPEF;220nF,5%,63V,TP-,5mm	
....5	C612	2401-000480	C-AL;10uF,20%,50V,GP,TP;5x11,5	
....5	C613	2305-000289	C-FILM,MPEF;220nF,5%,63V,TP-,5mm	
....5	C618	2305-000665	C-FILM,MPEF;100nF,5%,63V,TP;7.5x4.0x5.0m	
....5	C619	2305-000665	C-FILM,MPEF;100nF,5%,63V,TP;7.5x4.0x5.0m	
....5	C702	2202-000210	C-CERAMIC,MLC-AXIAL;270pF,10%,50V,Y5P,TP	
....5	C703	2202-000121	C-CERAMIC,MLC-AXIAL;100pF,10%,50V,Y5P,TP	
....5	C704	2202-000121	C-CERAMIC,MLC-AXIAL;100pF,10%,50V,Y5P,TP	
....5	C706	2401-001989	C-AL;4.7uF,20%,50V,BPT;5x11,5	
....5	C707	2301-000204	C-FILM,PEF;2.7nF,5%,50V,TP;7.4x3.9x13mm,	
....5	C709	2401-000480	C-AL;10uF,20%,50V,GP,TP;5x11,5	
....5	C802	2401-001192	C-AL;33uF,20%,50V,GP,TP;6.3x11,5	
....5	C803	2305-000665	C-FILM,MPEF;100nF,5%,63V,TP;7.5x4.0x5.0m	
....5	C804	2301-000224	C-FILM,PEF;22nF,5%,50V,TP;7.4x3.9x13mm,5	
....5	C805	2301-000235	C-FILM,PEF;3.9nF,5%,50V,TP;6.5x3.0x5.5mm	
....5	C806	2301-001435	C-FILM,PPF;1.5nF,5%,1.2kV,TP;15x8x12.5mm	
....5	C810	2301-000192	C-AL;100uF,20%,25V,WT;TP;5.3x10mm,5mm	
....5	C811	2201-000991	C-CERAMIC,DISC;0.56nF,10%,2kV,Y5P,TP;7,5	
....5	C812	2401-000262	C-AL;100uF,20%,160V,HR,TP;16x25,7,5	
....5	C813	2401-002290	C-AL;47uF,20%,160V,GP,TP;13x20,5	
....5	C814	2201-000991	C-CERAMIC,DISC;0.56nF,10%,2kV,Y5P,TP;7,5	
....5	C816	2201-000375	C-CERAMIC,DISC;0.22nF,5%,50V,RH,TP;12,5x	
....5	C817	2401-000302	C-AL;100uF,20%,25V,GP,TP;6.3x11,5	
....5	C818	2401-000302	C-AL;100uF,20%,25V,WT;TP;6.3x11,5	
....5	C819	2305-000665	C-FILM,MPEF;100nF,5%,63V,TP;7.5x4.0x5.0m	
....5	C820	2401-000480	C-AL;10uF,20%,50V,GP,TP;5x11,5	
....5	C821	2401-000328	C-AL;100uF,20%,25V,WT;TP;6.3x11,5	
....5	C822	2401-000711	C-AL;2200uF,20%,25V,GP,TP;16x25,7,5	
....5	C823	2401-000302	C-AL;100uF,20%,25V,GP,TP;6.3x11,5	
....5	C827	2401-000927	C-AL;22uF,20%,250V,GP,TP;13x20,5	
....5	C903	2401-001840	C-AL;100uF,20%,16V,GP,TP;6.3x11,5	
....5	C904	2301-000383	C-FILM,PEF;10nF,5%,50V,TP6x7x3.2mm,5mm	
....5	C906	2202-000796	C-CERAMIC,MLC-AXIAL;1nF,10%,50V,Y5P,TP;3	
....5	C908	2201-000573	C-CERAMIC,DISC;0.047nF,5%,50V,NPO,TP;5x3	
....5	C909	2201-000573	C-CERAMIC,DISC;0.047nF,5%,50V,NPO,TP;5x3	
....5	C910	2401-001840	C-AL;100uF,20%,16V,GP,TP;6.3x11,5	
....5	C911	2202-000632	C-CERAMIC,MLC-AXIAL;100nF,20%,50V,Z5U,TP	
....5	C912	2202-000121	C-CERAMIC,MLC-AXIAL;100pF,10%,50V,Y5P,TP	
....5	C913	2305-000665	C-FILM,MPEF;100nF,5%,63V,TP;7.5x4.0x5.0m	
....5	C915	2401-000302	C-AL;100uF,20%,25V,GP,TP;6.3x11,5	
....5	CN602	3711-002643	CONNECTOR-HEADER;BOX,4P,1R,2.5mm,STRAIGH	
△	CR404S	2201-000639	C-CERAMIC,DISC;0.68nF,10%,2kV,Y5P,TP;9x5	
△	CR405S	2305-000382	C-FILM,MPEF;4.7nF,5%,400V,TP-,5mm	
△	CR408S	2201-000208	C-CERAMIC,DISC;0.47nF,10%,2kV,Y5P,TP;7,5	
....5	D101	0401-000005	DIODE-SWITCHING;1N4148,100V,200mA,DO-35,	
....5	D103	0401-000005	DIODE-SWITCHING;1N4148,100V,200mA,DO-35,	
....5	D201	0401-000005	DIODE-SWITCHING;1N4148,100V,200mA,DO-35,	
....5	D301	0402-001105	DIODE-RECTIFIER;ERB43-04SV1,400V,1.0A,-,	
....5	D302	0402-001352	DIODE-RECTIFIER;GUF15G-20A,400V,1.5A,DO-	
....5	D303	0402-000132	DIODE-RECTIFIER;1N4004,400V,1A,DO-41,TP	
....5	D304	0402-001105	DIODE-RECTIFIER;ERB43-04SV1,400V,1.0A,-,	
....5	D305	0401-000005	DIODE-SWITCHING;1N4148,100V,200mA,DO-35,	
△	D401	0402-001105	DIODE-RECTIFIER;ERB43-04SV1,400V,1.0A,-,	
....5	D501	0402-000254	DIODE-RECTIFIER;RGP10J,600V,1A,DO-41,TP	
....5	D502	0402-001105	DIODE-RECTIFIER;ERB43-04SV1,400V,1.0A,-,	
....5	D503	0402-001105	DIODE-RECTIFIER;ERB43-04SV1,400V,1.0A,-,	
....5	D504	0402-001105	DIODE-RECTIFIER;ERB43-04SV1,400V,1.0A,-,	
△	D801S	0402-001111	DIODE-RECTIFIER;1N5397GP,600V,1.5A,DO-20	
△	D802	0402-001111	DIODE-RECTIFIER;1N5397GP,600V,1.5A,DO-20	
△	D802S	0402-001111	DIODE-RECTIFIER;1N5397GP,600V,1.5A,DO-20	
△	D803	0402-000254	DIODE-RECTIFIER;RGP10J,600V,1A,DO-41,TP	
△	D803S	0402-001111	DIODE-RECTIFIER;1N5397GP,600V,1.5A,DO-20	
△	D804	0401-000005	DIODE-SWITCHING;1N4148,100V,200mA,DO-35,	
△	D804S	0402-001111	DIODE-RECTIFIER;1N5397GP,600V,1.5A,DO-20	
△	D805	0402-000540	DIODE-RECTIFIER;RU20A,600V,1.5A,-,TP	
△	D808	0401-000005	DIODE-SWITCHING;1N4148,100V,200mA,DO-35,	
△	D809	0402-000132	DIODE-RECTIFIER;1N4004,400V,1A,DO-41,TP	
△	D811	0401-000005	DIODE-SWITCHING;1N4148,100V,200mA,DO-35,	
△	D812	0402-001105	DIODE-RECTIFIER;ERB43-04SV1,400V,1.0A,-,	
....5	D901	0401-000005	DIODE-SWITCHING;1N4148,100V,200mA,DO-35,	
....5	DZ101	0403-000700	DIODE-ZENER;TZP33A,33V,31-35V,1W,DO-41,T	
....5	DZ201	0403-000720	DIODE-ZENER;MTZJ9.1B,9.1V,8.57-9.01V,500	
....5	DZ203	0403-001322	DIODE-ZENER;MTZJ9.2B,7.78-8.19V,500mW,DO	
....5	DZ204	0403-000720	DIODE-ZENER;MTZJ9.1B,9.1V,8.57-9.01V,500	

Level	Loc. No.	Code No.	Description ; Specification	Remark
....5	DZ205	0403-000720	DIODE-ZENER;MTZJ9.1B,9.1V,8.57-9.01V,500	
....5	DZ207	0403-000720	DIODE-ZENER;MTZJ9.1B,9.1V,8.57-9.01V,500	
....5	DZ301	0403-001328	DIODE-ZENER;MTZJ22A,20.15-21.20V,500mW,D	
....5	DZ302	0403-001221	DIODE-ZENER;UZ39BSB,35.36-37.19V,500mW,D	
....5	DZ303	0403-000700	DIODE-ZENER;TZP33A,33V,31-35V,1W,DO-41,T	
....5	DZ305	0403-001328	DIODE-ZENER;MTZJ22A,20.15-21.20V,500mW,D	
....5	DZ306	0403-000720	DIODE-ZENER;MTZJ9.1B,9.1V,8.57-9.01V,500	
....5	DZ307	0403-000720	DIODE-ZENER;MTZJ9.1B,9.1V,8.57-9.01V,500	
....5	DZ401	0403-000508	DIODE-ZENER;MTZJ5.6B,5.6V,5.45-5.73V,500	
....5	DZ402	0403-000508	DIODE-ZENER;MTZJ5.6B,5.6V,5.45-5.73V,500	
....5	DZ501	0403-000720	DIODE-ZENER;MTZJ9.1B,9.1V,8.57-9.01V,500	
....5	DZ502	0403-000720	DIODE-ZENER;MTZJ9.1B,9.1V,8.57-9.01V,500	
....5	DZ503	0403-000720	DIODE-ZENER;MTZJ9.1B,9.1V,8.57-9.01V,500	
....5	DZ504	0403-000720	DIODE-ZENER;MTZJ9.1B,9.1V,8.57-9.01V,500	
....5	DZ701	0403-000720	DIODE-ZENER;MTZJ9.1B,9.1V,8.57-9.01V,500	
....5	DZ702	0403-000720	DIODE-ZENER;MTZJ9.1B,9.1V,8.57-9.01V,500	
....5	DZ703	0403-000720	DIODE-ZENER;MTZJ9.1B,9.1V,8.57-9.01V,500	
....5	DZ704	0403-000720	DIODE-ZENER;MTZJ9.1B,9.1V,8.57-9.01V,500	
....5	DZ801	0403-001140	DIODE-ZENER;RD10ESAB-T4,100V,19-10.30V,	
....5	DZ802	0403-001318	DIODE-ZENER;MTZJ4.3B,4.17-4.43V,500mW,DO	
....5	DZ803	0403-000699	DIODE-ZENER;TZP27B,27V,27-30.8V,1W,DO-41	
....5	DZ804	0403-000720	DIODE-ZENER;MTZJ9.1B,9.1V,8.57-9.01V,500	
....5	DZ805	0403-001327	DIODE-ZENER;MTZJ18A,16.22-17.06V,500mW,D	
....5	DZ806	0403-001317	DIODE-ZENER;MTZJ3.0B,3.01-3.22V,500mW,DO	
....5	DZ807	0403-000508	DIODE-ZENER;MTZJ5.6B,5.6V,5.45-5.73V,500	
....5	DZ808	0403-000720	DIODE-ZENER;MTZJ9.1B,9.1V,8.57-9.01V,500	
....5	DZ810	0403-000508	DIODE-ZENER;MTZJ5.6B,5.6V,5.45-5.73V,500	
....5	DZ901	0403-001319	DIODE-ZENER;MTZJ4.7C,4.68-4.93V,500mW,DO	
....5	DZ903	0403-000508	DIODE-ZENER;MTZJ5.6B,5.6V,5.45-5.73V,500	
....5	DZ904	0403-000508	DIODE-ZENER;MTZJ5.6B,5.6V,5.45-5.73V,500	
....5	DZ905	0403-000508	DIODE-ZENER;MTZJ5.6B,5.6V,5.45-5.73V,500	
....5	DZ906	0403-001319	DIODE-ZENER;MTZJ4.7C,4.68-4.93V,500mW,DO	
....5	DZ907	0403-001319	DIODE-ZENER;MTZJ4.7C,4.68-4.93V,500mW,DO	
....5	DZ908	0403-001319	DIODE-ZENER;MTZJ4.7C,4.68-4.93V,500mW,DO	
....5	EL301	AA60-40011B	EYELET;ID2.2,OD3.2,-,BSP-	S.N.A
....5	EL302	AA60-40011B	EYELET;ID2.2,OD3.2,-,BSP-	S.N.A
....5	EL403	AA60-40011B	EYELET;ID2.2,OD3.2,-,BSP-	S.N.A
....5	EL404	AA60-40011B	EYELET;ID2.2,OD3.2,-,BSP-	S.N.A
....5	EL407	AA60-40011B	EYELET;ID2.2,OD3.2,-,BSP-	S.N.A
....5	EL408	AA60-40011B	EYELET;ID2.2,OD3.2,-,BSP-	S.N.A
....5	EL501	AA60-40011B	EYELET;ID2.2,OD3.2,-,BSP-	S.N.A
....5	EL502	AA60-40011B	EYELET;ID2.2,OD3.2,-,BSP-	S.N.A
....5	EL601	AA60-40011B	EYELET;ID2.2,OD3.2,-,BSP-	S.N.A
....5	EL602	AA60-40011B	EYELET;ID2.2,OD3.2,-,BSP-	S.N.A
....5	EL801	AA60-40011B	EYELET;ID2.2,OD3.2,-,BSP-	S.N.A
....5	EL802	AA60-40011B	EYELET;ID2.2,OD3.2,-,BSP-	S.N.A
....5	EL804	AA60-40011B	EYELET;ID2.2,OD3.2,-,BSP-	S.N.A
....5	EY101	AA60-40011A	EYELET;ID2.0,OD2.8,-,BST-	S.N.A
....5	EY401	AA60-40011A	EYELET;ID2.0,OD2.8,-,BST-	S.N.A
....5	EY402	AA60-40011A	EYELET;ID2.0,OD2.8,-,BST-	S.N.A
....5	EY403	AA60-40011A	EYELET;ID2.0,OD2.8,-,BST-	S.N.A
....5	EY404	AA60-40011A	EYELET;ID2.0,OD2.8,-,BST-	S.N.A
....5	EY405	AA60-40011A	EYELET;ID2.0,OD2.8,-,BST-	S.N.A
....5	EY406	AA60-40011A	EYELET;ID2.0,OD2.8,-,BST-	S.N.A
....5	EY407	AA60-40011A	EYELET;ID2.0,OD2.8,-,BST-	S.N.A
....5	EY408	AA60-40011A	EYELET;ID2.0,OD2.8,-,BST-	S.N.A
....5	EY409	AA60-40011A	EYELET;ID2.0,OD2.8,-,BST-	S.N.A
....5	EY410	AA60-40011A	EYELET;ID2.0,OD2.8,-,BST-	S.N.A
....5	EY411	AA60-40011A	EYELET;ID2.0,OD2.8,-,BST-	S.N.A
....5	EY412	AA60-40011A	EYELET;ID2.0,OD2.8,-,BST-	S.N.A
....5	EY414	AA60-40011A	EYELET;ID2.0,OD2.8,-,BST-	S.N.A
....5	EY415	AA60-40011A	EYELET;ID2.0,OD2.8,-,BST-	S.N.A
....5	EY416	AA60-40011A	EYELET;ID2.0,OD2.8,-,BST-	S.N.A
....5	EY417	AA60-40011A	EYELET;ID2.0,OD2.8,-,BST-	S.N.A
....5	EY419	AA60-40011A	EYELET;ID2.0,OD2.8,-,BST-	S.N.A
....5	EY420	AA60-40011A	EYELET;ID2.0,OD2.8,-,BST-	S.N.A
....5	EY421	AA60-40011A	EYELET;ID2.0,OD2.8,-,BST-	S.N.A
....5	EY422	AA60-40011A	EYELET;ID2.0,OD2.8,-,BST-	S.N.A
....5	EY423	AA60-40011A	EYELET;ID2.0,OD2.8,-,BST-	S.N.A
....5	EY501	AA60-40011A	EYELET;ID2.0,OD2.8,-,BST-	S.N.A
....5	EY801	AA60-40011A	EYELET;ID2.0,OD2.8,-,BST-	S.N.A
....5	EY802	AA60-40011A	EYELET;ID2.0,OD2.8,-,BST-	S.N.A
....5	EY803	AA60-40011A	EYELET;ID2.0,OD2.8,-,BST-	S.N.A
....5	EY807	AA60-40011A	EYELET;ID2.0,OD2.8,-,BST-	S.N.A
....5	EY808	AA60-40011A	EYELET;ID2.0,OD2.8,-,BST-	S.N.A
....5	EY809	AA60-40011A	EYELET;ID2.0,OD2.8,-,BST-	S.N.A
....5	EY810	AA60-40011A	EYELET;ID2.0,OD2.8,-,BST-	S.N.A

Electrical Parts List

Level	Loc. No.	Code No.	Description ; Specification	Remark
....5	EY813	AA60-40011A	EYELET;ID2.0,OD2.8,-,-,BST-	S.N.A
....5	EY818	AA60-40011A	EYELET;ID2.0,OD2.8,-,-,BST-	S.N.A
....5	EY819	AA60-40011A	EYELET;ID2.0,OD2.8,-,-,BST-	S.N.A
....5	EY821	AA60-40011A	EYELET;ID2.0,OD2.8,-,-,BST-	S.N.A
....5	EY822	AA60-40011A	EYELET;ID2.0,OD2.8,-,-,BST-	S.N.A
....5	EY823	AA60-40011A	EYELET;ID2.0,OD2.8,-,-,BST-	S.N.A
....5	EY824	AA60-40011A	EYELET;ID2.0,OD2.8,-,-,BST-	S.N.A
....5	EY825	AA60-40011A	EYELET;ID2.0,OD2.8,-,-,BST-	S.N.A
....5	EY827	AA60-40011A	EYELET;ID2.0,OD2.8,-,-,BST-	S.N.A
....5	EY828	AA60-40011A	EYELET;ID2.0,OD2.8,-,-,BST-	S.N.A
....5	EY829	AA60-40011A	EYELET;ID2.0,OD2.8,-,-,BST-	S.N.A
....5	EY830	AA60-40011A	EYELET;ID2.0,OD2.8,-,-,BST-	S.N.A
....5	EY833	AA60-40011A	EYELET;ID2.0,OD2.8,-,-,BST-	S.N.A
....5	EY850	AA60-40011A	EYELET;ID2.0,OD2.8,-,-,BST-	S.N.A
....5	EY851	AA60-40011A	EYELET;ID2.0,OD2.8,-,-,BST-	S.N.A
....5	EY852	AA60-40011A	EYELET;ID2.0,OD2.8,-,-,BST-	S.N.A
....5	EY853	AA60-40011A	EYELET;ID2.0,OD2.8,-,-,BST-	S.N.A
....5	EY860	AA60-40011A	EYELET;ID2.0,OD2.8,-,-,BST-	S.N.A
....5	EY861	AA60-40011A	EYELET;ID2.0,OD2.8,-,-,BST-	S.N.A
....5	F801A	3602-000114	FUSE-HOLDER;-,-,30mohm	
....5	F801B	3602-000114	FUSE-HOLDER;-,-,30mohm	
....5	FD801S	3601-001163	FUSE-AXIAL LEAD;125V7A,-,EPOXY;2.4X7.1MM	S.N.A
....5	GT101	AA60-40014A	PIN-GT,ASSY;1P,-,-,AUTO	S.N.A
....5	GT301	AA60-40014A	PIN-GT,ASSY;1P,-,-,AUTO	S.N.A
....5	GT302	AA60-40014A	PIN-GT,ASSY;1P,-,-,AUTO	S.N.A
....5	GT401	AA60-40014A	PIN-GT,ASSY;1P,-,-,AUTO	S.N.A
....5	GT402	AA60-40014A	PIN-GT,ASSY;1P,-,-,AUTO	S.N.A
....5	GT501	AA60-40014A	PIN-GT,ASSY;1P,-,-,AUTO	S.N.A
....5	GT502	AA60-40014A	PIN-GT,ASSY;1P,-,-,AUTO	S.N.A
....5	GT801	AA60-40014A	PIN-GT,ASSY;1P,-,-,AUTO	S.N.A
....5	GT802	AA60-40014A	PIN-GT,ASSY;1P,-,-,AUTO	S.N.A
....5	GT803	AA60-40014A	PIN-GT,ASSY;1P,-,-,AUTO	S.N.A
....5	GT804	AA60-40014A	PIN-GT,ASSY;1P,-,-,AUTO	S.N.A
....5	GT805	AA60-40014A	PIN-GT,ASSY;1P,-,-,AUTO	S.N.A
....5	GT806	AA60-40014A	PIN-GT,ASSY;1P,-,-,AUTO	S.N.A
....5	GT807	AA60-40014A	PIN-GT,ASSY;1P,-,-,AUTO	S.N.A
....5	HIC01	AA13-20004WV	IC-HYBRID;-,-,PAPI03T,SIP6PPRE-AMP;TP	
△	IC803	1203-001217	IC-POS.IADJUST REG.;431,TO-92,3P4.58MIL	
....5	J125	2001-000016	R-CARBON(S);10HM,5%,1/2W,AA,TP,2.4X6.4MM	
....5	J137	2001-000281	R-CARBON;100OHM,5%,1/8W,AA,TP,1.8X3.2MM	
....5	J142	2701-000115	INDUCTOR-AXIAL;10uH,10%,3x7mm	
....5	J910	3301-000287	CORE-FERRITE BEAD;AA,3.5x1.0x6.0mm,1500,	
....5	L101	2701-000326	INDUCTOR-AXIAL;560nH,10%,2.3x3.4mm	
....5	L102	2701-000159	INDUCTOR-AXIAL;22uH,10%,4.2x9.8mm	
....5	L103	2701-000114	INDUCTOR-AXIAL;10uH,10%,2.5x3.4mm	
....5	L104	2701-000168	INDUCTOR-AXIAL;3.3uH,5%,2.5x3.4mm	
....5	L201	2701-000159	INDUCTOR-AXIAL;22uH,10%,4.2x9.8mm	
....5	L202	2701-000114	INDUCTOR-AXIAL;10uH,10%,2.5x3.4mm	
....5	L203	2701-000127	INDUCTOR-AXIAL;15uH,10%,2.5x3.4mm	
....5	L204	2701-000184	INDUCTOR-AXIAL;4.7uH,10%,2.5x3.4mm	
....5	L205	2701-000159	INDUCTOR-AXIAL;22uH,10%,4.2x9.8mm	
....5	L301	2701-000142	INDUCTOR-AXIAL;1uH,10%,2.5x3.4mm	
....5	L302	2701-000142	INDUCTOR-AXIAL;1uH,10%,2.5x3.4mm	
△	L403	2901-000297	FILTER-EMI ON BOARD;-,-,3A,-,-,3.5x5,TP-	
....5	L404	2701-000142	INDUCTOR-AXIAL;1uH,10%,2.5x3.4mm	
....5	L405	2701-000159	INDUCTOR-AXIAL;22uH,10%,4.2x9.8mm	
....5	L702	2701-000184	INDUCTOR-AXIAL;4.7uH,10%,2.5x3.4mm	
....5	L703	2701-000184	INDUCTOR-AXIAL;4.7uH,10%,2.5x3.4mm	
....5	L704	2701-000184	INDUCTOR-AXIAL;4.7uH,10%,2.5x3.4mm	
....5	L706	2701-000184	INDUCTOR-AXIAL;4.7uH,10%,2.5x3.4mm	
....5	L802	3301-000287	CORE-FERRITE BEAD;AA,3.5x1.0x6.0mm,1500,	
....5	L803	3301-000287	CORE-FERRITE BEAD;AA,3.5x1.0x6.0mm,1500,	
....5	L804	2701-001030	INDUCTOR-AXIAL;43uH,10%,5x14mm	
....5	L806	2901-000297	FILTER-EMI ON BOARD;-,-,3A,-,-,3.5x5,TP-	
....5	L807	2701-001030	INDUCTOR-AXIAL;43uH,10%,5x14mm	
....5	L808	2901-000297	FILTER-EMI ON BOARD;-,-,3A,-,-,3.5x5,TP-	
....5	L902	2701-000114	INDUCTOR-AXIAL;10uH,10%,2.5x3.4mm	
....5	L903	2701-000158	INDUCTOR-AXIAL;22uH,10%,2.5x3.4mm	
....5	L904	2701-000114	INDUCTOR-AXIAL;10uH,10%,2.5x3.4mm	
....5	PCB	AA41-00131H	PCB-MAIN;CS21D8,FR-1,1L,H,1.6T;245X245,K	S.N.A
....5	Q101	0501-000389	TR-SMALL SIGNAL;KSC815,NPN,400mW,TO-92,T	
....5	Q102	0501-000389	TR-SMALL SIGNAL;KSC815,NPN,400mW,TO-92,T	
....5	Q201	0501-000283	TR-SMALL SIGNAL;KSA539,PNP,400mW,TO-92,T	
....5	Q202	0501-000389	TR-SMALL SIGNAL;KSC815,NPN,400mW,TO-92,T	
....5	Q203	0501-000283	TR-SMALL SIGNAL;KSA539,PNP,400mW,TO-92,T	
....5	Q204	0501-000389	TR-SMALL SIGNAL;KSC815,NPN,400mW,TO-92,T	

Level	Loc. No.	Code No.	Description ; Specification	Remark
....5	Q205	0501-000389	TR-SMALL SIGNAL;KSC815,NPN,400mW,TO-92,T	
....5	Q301	0501-000283	TR-SMALL SIGNAL;KSA539,PNP,400mW,TO-92,T	
....5	Q402	0501-000369	TR-SMALL SIGNAL;KSC2331-Y,NPN,1000mW,TO-	
....5	Q701	0501-000389	TR-SMALL SIGNAL;KSC815,NPN,400mW,TO-92,T	
....5	Q802	0501-000389	TR-SMALL SIGNAL;KSC815,NPN,400mW,TO-92,T	
....5	Q901	0501-000283	TR-SMALL SIGNAL;KSA539,PNP,400mW,TO-92,T	
....5	Q902	0504-000123	TR-DIGITAL;KSR1010,NPN,300mW,10K,TO-92,T	
....5	Q903	0501-000389	TR-SMALL SIGNAL;KSC815,NPN,400mW,TO-92,T	
....5	Q905	0501-000389	TR-SMALL SIGNAL;KSC815,NPN,400mW,TO-92,T	
....5	R103	2001-000008	R-CARBON;15KOHM,5%,1/8W,AA,TP,1.8X3.2MM	
....5	R104	2001-000429	R-CARBON;1KOHM,5%,1/8W,AA,TP,1.8X3.2MM	
....5	R105	2001-000577	R-CARBON;2KOHM,5%,1/8W,AA,TP,1.8X3.2MM	
....5	R106	2001-000290	R-CARBON;1KOHM,5%,1/8W,AA,TP,1.8X3.2MM	
....5	R108	2001-000947	R-CARBON;7.5KOHM,5%,1/8W,AA,TP,1.8X3.2MM	
....5	R109	2001-000786	R-CARBON;47KOHM,5%,1/8W,AA,TP,1.8X3.2MM	
....5	R110	2001-000924	R-CARBON;680OHM,5%,1/8W,AA,TP,1.8X3.2MM	
....5	R111	2001-000008	R-CARBON;15KOHM,5%,1/8W,AA,TP,1.8X3.2MM	
....5	R112	2001-000577	R-CARBON;2KOHM,5%,1/8W,AA,TP,1.8X3.2MM	
....5	R113	2001-000429	R-CARBON;1KOHM,5%,1/8W,AA,TP,1.8X3.2MM	
....5	R114	2001-000290	R-CARBON;1KOHM,5%,1/8W,AA,TP,1.8X3.2MM	
....5	R117	2001-000924	R-CARBON;680OHM,5%,1/8W,AA,TP,1.8X3.2MM	
....5	R202	2001-000689	R-CARBON;39KOHM,5%,1/8W,AA,TP,1.8X3.2MM	
....5	R203	2001-000857	R-CARBON;560OHM,5%,1/8W,AA,TP,1.8X3.2MM	
....5	R204	2001-000857	R-CARBON;560OHM,5%,1/8W,AA,TP,1.8X3.2MM	
....5	R205	2001-000011	R-CARBON;75KOHM,5%,1/8W,AA,TP,1.8X3.2MM	
....5	R206	2001-000563	R-CARBON;27KOHM,5%,1/8W,AA,TP,1.8X3.2MM	
....5	R207	2001-000005	R-CARBON;390ohm,5%,1/8W,AA,TP,1.8x3.2mm	
....5	R208	2001-000591	R-CARBON;3.3KOHM,5%,1/8W,AA,TP,1.8X3.2MM	
....5	R209	2001-000793	R-CARBON;47OHM,5%,1/8W,AA,TP,1.8X3.2MM	
....5	R210	2001-000857	R-CARBON;560OHM,5%,1/8W,AA,TP,1.8X3.2MM	
....5	R211	2001-000281	R-CARBON;100OHM,5%,1/8W,AA,TP,1.8X3.2MM	
....5	R212	2001-000405	R-CARBON;180OHM,5%,1/8W,AA,TP,1.8X3.2MM	
....5	R213	2001-000938	R-CARBON;680OHM,5%,1/8W,AA,TP,1.8X3.2MM	
....5	R214	2001-000325	R-CARBON;120OHM,5%,1/8W,AA,TP,1.8X3.2MM	
....5	R215	2001-000281	R-CARBON;100OHM,5%,1/8W,AA,TP,1.8X3.2MM	
....5	R218	2001-000008	R-CARBON;15KOHM,5%,1/8W,AA,TP,1.8X3.2MM	
....5	R219	2004-001914	R-METAL;39Kohm,2%,1/8W,AA,TP,1.8x3.5mm	
....5	R220	2001-000472	R-CARBON;2.7KOHM,5%,1/8W,AA,TP,1.8X3.2MM	
....5	R222	2001-000947	R-CARBON;7.5KOHM,5%,1/8W,AA,TP,1.8X3.2MM	
....5	R223	2001-000281	R-CARBON;100OHM,5%,1/8W,AA,TP,1.8X3.2MM	
....5	R224	2001-000290	R-CARBON;10KOHM,5%,1/8W,AA,TP,1.8X3.2MM	
....5	R225	2001-000281	R-CARBON;100OHM,5%,1/8W,AA,TP,1.8X3.2MM	
....5	R227	2001-000739	R-CARBON;4.7MOHM,5%,1/8W,AA,TP,1.8X3.2MM	
....5	R228	2001-000739	R-CARBON;4.7MOHM,5%,1/8W,AA,TP,1.8X3.2MM	
....5	R230	2001-000221	R-CARBON;1.2KOHM,5%,1/8W,AA,TP,1.8X3.2MM	
....5	R301	2001-000016	R-CARBON(S);10HM,5%,1/2W,AA,TP,2.4X6.4MM	
....5	R302	2004-004366	R-METAL(S);1.3Kohm,1%,1/2W,AA,TP,2.5x6.5	
....5	R303	2003-002070	R-METAL OXIDE;1ohm,5%,2W,AF,TP,3.9x10mm	
....5	R304	2008-000253	R-FUSIBLE(S);0.47ohm,5%,1W,AF,TP,3.9x10m	
....5	R305	2008-000253	R-FUSIBLE(S);0.47ohm,5%,1W,AF,TP,3.9x10m	
....5	R306	2004-004366	R-METAL(S);1.3Kohm,1%,1/2W,AA,TP,2.5x6.5	
....5	R307	2001-000290	R-CARBON;10KOHM,5%,1/8W,AA,TP,1.8X3.2MM	
....5	R308	2001-001093	R-CARBON(S);2.2KOHM,5%,1/2W,AA,TP,2.4X6.	
....5	R313	2001-000258	R-CARBON(S);10KOHM,5%,1/8W,AA,TP,1.8X3.2MM	
....5	R314	2003-000537	R-METAL OXIDE(S);1Kohm,5%,1W,AF,TP,3.3x9	
....5	R315	2003-002009	R-METAL OXIDE(S);390ohm,5%,2W,AF,TP,3.9x	
....5	R316	2003-002009	R-METAL OXIDE(S);390ohm,5%,2W,AF,TP,3.9x	
....5	R402	2003-002178	R-METAL OXIDE(S);1Kohm,5%,2W,AG,TP,3.9x1	
....5	R403	2003-000784	R-METAL OXIDE(S);7.5Kohm,5%,2W,AF,TP,4x1	
....5	R405	2001-001116	R-CARBON(S);270HM,5%,1/2W,AA,TP,2.4X6.4M	
....5	R407	2003-002209	R-METAL OXIDE(S);47Kohm,5%,2W,AG,TP,3.9X	
....5	R408	2001-001037	R-CARBON(S);0.390HM,5%,1/2W,AA,TP,2.4X6.	
....5	R409	2001-000022	R-CARBON(S);330HM,5%,1/2W,AA,TP,2.4X6.4M	
....5	R411	2001-001114	R-CARBON(S);270OHM,5%,1/2W,AA,TP,2.4X6.4	
....5	R413	2003-002130	R-METAL OXIDE(S);15ohm,5%,2W,AF,TP,3.9x1	
....5	R414	2001-001078	R-CARBON(S);15KOHM,5%,1/2W,AA,TP,2.4X6.4	
....5	R420	2008-001110	R-FUSIBLE(S);68ohm,5%,2W,AG,TP,3.9X12mm	
....5	R421	2008-001114	R-FUSIBLE(S);1.5ohm,5%,2W,AG,TP,3.9x12mm	
....5	R423	2004-001373	R-METAL(S);100Kohm,1%,1/2W,AA,TP,2.4x6.4	
....5	R424	2004-001402	R-METAL(S);6.8Kohm,1%,1/2W,AA,TP,2.4x6.4	
....5	R501	2001-000281	R-CARBON;100OHM,5%,1/8W,AA,TP,1.8X3.2MM	
....5	R501H	2002-001008	R-COMPOSITION;1.8Kohm,10%,1/2W,AA,TP,3.7	
....5	R502	2001-000281	R-CARBON;100OHM,5%,1/8W,AA,TP,1.8X3.2MM	
....5	R502H	2002-001008	R-COMPOSITION;1.8Kohm,10%,1/2W,AA,TP,3.7	
....5	R503	2002-001008	R-COMPOSITION;1.8Kohm,10%,1/2W,AA,TP,3.7	
....5	R504	2001-001062	R-CARBON(S);10MOHM,5%,1/2W,AA,TP,2.4X6.4	

Level	Loc. No.	Code No.	Description ; Specification	Remark	Level	Loc. No.	Code No.	Description ; Specification	Remark
....5	R505	2008-001011	R-FUSIBLE(S);0.18ohm,10%,2W,AF,TP,3.9x10	5	R929	2001-000563	R-CARBON;27KOHM,5%,1/8W,AA,TP,1.8X3.2MM	
....5	R506	2001-000281	R-CARBON;100OHM,5%,1/8W,AA,TP,1.8X3.2MM	5	R931	2001-000429	R-CARBON;1KOHM,5%,1/8W,AA,TP,1.8X3.2MM	
....5	R510	2001-000281	R-CARBON;100OHM,5%,1/8W,AA,TP,1.8X3.2MM	5	R932	2001-000325	R-CARBON;120OHM,5%,1/8W,AA,TP,1.8X3.2MM	
....5	R511	2001-000281	R-CARBON;100OHM,5%,1/8W,AA,TP,1.8X3.2MM	5	R933	2001-000281	R-CARBON;100OHM,5%,1/8W,AA,TP,1.8X3.2MM	
....5	R512	2001-000281	R-CARBON;100OHM,5%,1/8W,AA,TP,1.8X3.2MM	5	R934	2001-000281	R-CARBON;100OHM,5%,1/8W,AA,TP,1.8X3.2MM	
....5	R601	2001-000878	R-CARBON;6.2KOHM,5%,1/8W,AA,TP,1.8X3.2MM	5	R937	2001-000290	R-CARBON;10KOHM,5%,1/8W,AA,TP,1.8X3.2MM	
....5	R602	2001-000472	R-CARBON;2.7KOHM,5%,1/8W,AA,TP,1.8X3.2MM	5	RW701	2011-001133	R-NETWORK;33K/24K/75k3.5%,1/8W,X,SIP6P	
....5	R605	2001-000472	R-CARBON;2.7KOHM,5%,1/8W,AA,TP,1.8X3.2MM		△	RX801S	2002-001011	R-COMPOSITION;3.3Mohm,5%,1/2W,AA,TP,3.7x	
....5	R607	2001-000878	R-CARBON;6.2KOHM,5%,1/8W,AA,TP,1.8X3.2MM		△	RY801S	2002-001012	R-COMPOSITION;8.2Mohm,5%,1/2W,AA,TP,3.7x	
....5	R618	2001-000019	R-CARBON(S);100HM,5%,1/2W,AA,TP,2.4X6.4M	5	SW901	3404-000244	SWITCH-TACT;15V,20mA,90-170gf,7.5x7mm,SP	
....5	R619	2001-000019	R-CARBON(S);100HM,5%,1/2W,AA,TP,2.4X6.4M	5	SW902	3404-000244	SWITCH-TACT;15V,20mA,90-170gf,7.5x7mm,SP	
....5	R701	2001-000969	R-CARBON;750HM,5%,1/8W,AA,TP,1.8X3.2MM	5	SW903	3404-000244	SWITCH-TACT;15V,20mA,90-170gf,7.5x7mm,SP	
....5	R702	2001-000969	R-CARBON;750HM,5%,1/8W,AA,TP,1.8X3.2MM	5	SW904	3404-000244	SWITCH-TACT;15V,20mA,90-170gf,7.5x7mm,SP	
....5	R708	2001-000281	R-CARBON;100OHM,5%,1/8W,AA,TP,1.8X3.2MM	5	SW905	3404-000244	SWITCH-TACT;15V,20mA,90-170gf,7.5x7mm,SP	
....5	R713	2001-000857	R-CARBON;560OHM,5%,1/8W,AA,TP,1.8X3.2MM		△	T101	AA26-00025A	TRANS-IF;7MG,-,-,10pF,-,58.35MHz,7.7x7	
....5	R715	2001-000857	R-CARBON;560OHM,5%,1/8W,AA,TP,1.8X3.2MM	5	VX801S	1405-000187	VARISTOR;750V,1250A,12.5x7mm,TP	
....5	R717	2001-000429	R-CARBON;1KOHM,5%,1/8W,AA,TP,1.8X3.2MM	5	X901	2801-003937	CRYSTAL-UNIT;12MHz,25ppm,28-AAM,30pF,30o	
....5	R718	2001-000281	R-CARBON;100OHM,5%,1/8W,AA,TP,1.8X3.2MM	5	Z201	2903-000129	FILTER-CERAMIC;BR,4.5MHz,-,-,TP-	
....5	R719	2001-000969	R-CARBON;750HM,5%,1/8W,AA,TP,1.8X3.2MM	5	Z202	2903-001240	FILTER-CERAMIC;TR,5.5MHz,-,28dB,-,TP-	
....5	R720	2001-000969	R-CARBON;750HM,5%,1/8W,AA,TP,1.8X3.2MM	5	Z203	2903-001246	FILTER-CERAMIC;TR,5.5MHz,-,-,TP,multi.	
....5	R721	2001-000734	R-CARBON;4.7KOHM,5%,1/8W,AA,TP,1.8X3.2MM	3	AA39-20010D	LEAD CONNECTOR-ASSY;1PYFH800-01,S,400,		
....5	R801	2003-002171	R-METAL OXIDE(S);150ohm,5%,2W,AG,TP,3.9x	3	AA65-30009A	CLAMP-FBT;-ABS,VO,-,BLK,-	S.N.A	
....5	R803	2003-000994	R-METAL OXIDE(S);33Kohm,5%,2W,AF,TP,3.9x	3	AA65-30018A	CLAMP-WIRE-DONG-A,NYLON-66,-,-,DATL-60	S.N.A	
....5	R804	2003-000994	R-METAL OXIDE(S);33Kohm,5%,2W,AF,TP,3.9x	2	AA95-01724A	ASSY SUB-A/VFRONT;S4,KS1A,MONO,AA95-014	S.N.A	
....5	R805	2001-001170	R-CARBON(S);6.80HM,5%,1/2W,AA,TP,2.4X6.4	3	CN702	AA39-20461C	LEAD CONNECTOR-ASSY;11PYBNH250-11,6709	
....5	R808	2001-000109	R-CARBON(S);470OHM,5%,1/2W,AA,TP,2.4X6.4	3	JE601	3722-000143	JACK-PHONE-1P(VER);3.4PI,AG,BLK,NO	
....5	R809	2001-001150	R-CARBON(S);470KOHM,5%,1/2W,AA,TP,2.4X6.4	3	JR01	3722-001282	JACK-PIN;2P(3P),3.2mm,AU,BLK,-	
....5	R810	2001-001150	R-CARBON(S);470KOHM,5%,1/2W,AA,TP,2.4X6.4	3	AA97-07199A	ASSY AUTO-A/V FRONT;KS1A,PAL,AA95-01434	S.N.A	
....5	R814	2008-001113	R-FUSIBLE(S);0.22ohm,10%,2W,AG,TP,3.9x12	4	CE01	2401-001840	C-AL;100uF,20%,16V,GP,TP,6.3x11.5	
....5	R815	2008-001113	R-FUSIBLE(S);0.22ohm,10%,2W,AG,TP,3.9x12	4	CE04	2202-000121	C-CERAMIC,MLC-AXIAL;100pF,10%,50V,Y5P,TP	
....5	R817	2004-004089	R-METAL(S);123Kohm,1%,1/2W,AA,TP,2.5x6.5	4	CE07	2202-000222	C-CERAMIC,MLC-AXIAL;3.3nF,20%,16V,Y5P,TP	
....5	R818	2004-001399	R-METAL(S);5.1Kohm,1%,1/2W,AA,TP,2.4x6.4	4	LE01	2701-000158	INDUCTOR-AXIAL;22uH,10%,2.5x3.4mm	
....5	R819	2004-001390	R-METAL(S);1Kohm,2%,1/2W,AA,TP,2.4x6.4mm	4	LE04	2701-000114	INDUCTOR-AXIAL;10uH,10%,2.5x3.4mm	
....5	R821	2001-001125	R-CARBON(S);300KOHM,5%,1/2W,AA,TP,2.4X6.4	4	PCB	AA41-00568A	PCB-FRONT AV;S4/C5,FR-1,1LA,1.6T,245X24	S.N.A
....5	R822	2004-001983	R-METAL(S);2.49Kohm,1%,1/2W,AA,TP,2.4x6.4	4	RE01	2001-001153	R-CARBON(S);470HM,5%,1/2W,AA,TP,2.4X6.4M	
....5	R823	2001-000037	R-CARBON(S);330OHM,5%,1/2W,AA,TP,2.4X6.4	4	RE02A	2001-001153	R-CARBON(S);470HM,5%,1/2W,AA,TP,2.4X6.4M	
....5	R824	2008-001062	R-FUSIBLE;39ohm,5%,2W,AF,TP,3.9x10mm	3		0202-000187	SOLDER-WIRE FLUX;-RS60S,D1,2.63Sn/37PB	S.N.A
....5	R825	2008-001076	R-FUSIBLE(S);1.8ohm,5%,2W,AF,TP,3.9x10mm	2		AA96-20109B	ASSY-POWER,CORD;-CP2/NO(4.0),H/C250,KKP	S.N.A
....5	R827	2003-000998	R-METAL OXIDE;300ohm,5%,2W,AF,TP,3.9x10mm	3		3811-000401	WIRE-PVC CU;BCWA,300V,ROLL,17/0.16mm,#22	S.N.A
....5	R828	2001-000290	R-CARBON;10KOHM,5%,1/8W,AA,TP,1.8X3.2MM	3		AA39-10006X	POWER-CORD;-KKP419C,KLCE-2F2.286MT,3P,	
....5	R829	2001-000563	R-CARBON;27KOHM,5%,1/8W,AA,TP,1.8X3.2MM	3		AA61-20284A	HOLDER;P-CORD,PP,-,-,BLK,VO,KE-002	S.N.A
....5	R830	2001-000734	R-CARBON;4.7KOHM,5%,1/8W,AA,TP,1.8X3.2MM						
....5	R831	2001-001192	R-CARBON(S);820OHM,5%,1/2W,AA,TP,2.4X6.4						
....5	R832	2001-001088	R-CARBON(S);1KOHM,5%,1/2W,AA,TP,2.4X6.4M						
....5	R834	2003-001040	R-METAL OXIDE(S);47Kohm,5%,2W,AF,TP,3.9x						
....5	R840	2001-001108	R-CARBON(S);22KOHM,5%,1/2W,AA,TP,2.4X6.4						
....5	R841	2001-000734	R-CARBON;4.7KOHM,5%,1/8W,AA,TP,1.8X3.2MM		1	*	AA90-02007U	ASSY COVER REAR;CS21S4ZX/AWE	S.N.A
....5	R843	2001-000019	R-CARBON(S);100HM,5%,1/2W,AA,TP,2.4X6.4M	2		AA64-00707E	CABINET BACK;21S4,HPS,-,-,HB,G4309,-	
....5	R850	2001-001170	R-CARBON(S);6.80HM,5%,1/2W,AA,TP,2.4X6.4	2		AA65-30008A	CLAMP-CORD;-PE,HB,-,BLK,-	S.N.A
....5	R901	2001-000472	R-CARBON;2.7KOHM,5%,1/8W,AA,TP,1.8X3.2MM						
....5	R902	2001-000241	R-CARBON;1.5KOHM,5%,1/8W,AA,TP,1.8X3.2MM						
....5	R903	2001-000472	R-CARBON;2.7KOHM,5%,1/8W,AA,TP,1.8X3.2MM						
....5	R904	2001-000241	R-CARBON;1.5KOHM,5%,1/8W,AA,TP,1.8X3.2MM						
....5	R905	2001-000005	R-CARBON;390ohm,5%,1/8W,AA,TP,1.8x3.2mm		1	*	AA90-01844U	ASSY COVER FRONT;CS21S4ZX/AWE	S.N.A
....5	R906	2001-000005	R-CARBON;390ohm,5%,1/8W,AA,TP,1.8x3.2mm	2	CB+CF	AA60-10050T	SCREW-TAPPING;-SWRCH18A,M4,L20,RH,+2S,	S.N.A
....5	R907	2001-000472	R-CARBON;2.7KOHM,5%,1/8W,AA,TP,1.8X3.2MM	2	CB+RJ	6003-001026	SCREW-TAPTITE;RH,+B,M4,L15,ZPC(BLK),SWR	S.N.A
....5	R908	2001-000472	R-CARBON;2.7KOHM,5%,1/8W,AA,TP,1.8X3.2MM	2	CR+CF	AA60-10050R	SCREW-ASSY;-SWRCH18A,M5,L31.5,HH,+WC,-	S.N.A
....5	R909	2001-000281	R-CARBON;100OHM,5%,1/8W,AA,TP,1.8X3.2MM	2	PA+CF	6006-001095	SCREW-ASSY Y TAPT;WPBH,+M4,L12,ZPC(YEL)	S.N.A
....5	R910	2001-000290	R-CARBON;10KOHM,5%,1/8W,AA,TP,1.8X3.2MM	2		AA91-00288Y	ASSY CABINET FRONT;21S4 KS1A MONO,(SPK)	
....5	R911	2001-000281	R-CARBON;100OHM,5%,1/8W,AA,TP,1.8X3.2MM	3	KC+CF	6003-001026	SCREW-TAPTITE;RH,+B,M4,L15,ZPC(BLK),SWR	S.N.A
....5	R912	2001-000281	R-CARBON;100OHM,5%,1/8W,AA,TP,1.8X3.2MM	3	SPK+CF	6003-001026	SCREW-TAPTITE;RH,+B,M4,L15,ZPC(BLK),SWR	S.N.A
....5	R913	2001-000281	R-CARBON;100OHM,5%,1/8W,AA,TP,1.8X3.2MM	3	TW+CF	6003-001026	SCREW-TAPTITE;RH,+B,M4,L15,ZPC(BLK),SWR	S.N.A
....5	R914	2001-000281	R-CARBON;100OHM,5%,1/8W,AA,TP,1.8X3.2MM	3		AA64-00711C	KNOB POWER;21S4,ABS,-,-,HB,G3676,-,NO-	
....5	R915	2001-000924	R-CARBON;680OHM,5%,1/8W,AA,TP,1.8X3.2MM	3		AA64-00713B	WINDOW REMOCON;-21S4,-,PC,VO,VIOLET,-	S.N.A
....5	R916	2001-000449	R-CARBON;2.2KOHM,5%,1/8W,AA,TP,1.8X3.2MM	3		AA64-00714B	INDICATOR LED;21S4,ACRYL,-,CLR,-,-	
....5	R917	2001-000449	R-CARBON;2.2KOHM,5%,1/8W,AA,TP,1.8X3.2MM	3		AA64-70123B	BADGE-BRAND;-AL,-,L=50,SAMSUNG,SILVER	S.N.A
....5	R918	2001-000429	R-CARBON;1KOHM,5%,1/8W,AA,TP,1.8X3.2MM	3		AA65-00011C	CLAMP-WIRE;ALL MODEL,NYLON 66,V2,-,NTR,2	S.N.A
....5	R919	2001-000290	R-CARBON;10KOHM,5%,1/8W,AA,TP,1.8X3.2MM	3		AA65-30105A	CLAMP-WIRE;ALL MODEL,NYLON 66,V2,-,NTR,1	S.N.A
....5	R920	2001-000290	R-CARBON;10KOHM,5%,1/8W,AA,TP,1.8X3.2MM	3		AA96-00626A	ASSY SPEAKER;-80HM,15W,001115/001088,35	S.N.A
....5	R921	2001-000290	R-CARBON;10KOHM,5%,1/8W,AA,TP,1.8X3.2MM	4		3001-001088	SPEAKER;5W,8ohm,90dB,250Hz+-50Hz	
....5	R922	2001-000290	R-CARBON;10KOHM,5%,1/8W,AA,TP,1.8X3.2MM	4		3001-001115	SPEAKER;15W,8ohm,93dB,110	
....5	R923	2001-000273	R-CARBON;100KOHM,5%,1/8W,AA,TP,1.8X3.2MM	4		AA39-00228A	LEAD CONNECTOR ASSY;4P/4.7UF,YSH250-04,	
....5	R924	2001-000290	R-CARBON;10KOHM,5%,1/8W,AA,TP,1.8X3.2MM	3		AA60-00091J	SPACER-FELT;-FELT,300X10,-,-,BLK,TO.5,-	S.N.A
....5	R925	2001-000734	R-CARBON;4.7KOHM,5%,1/8W,AA,TP,1.8X3.2MM	3		AA61-60003J	SPRING-CS;-SUS304,-,-,OD6,N7,OD6,-,-,-	S.N.A
....5	R926	2001-000429	R-CARBON;1KOHM,5%,1/8W,AA,TP,1.8X3.2MM	3		AA63-00208B	GRILLE WOOFER-L;21S4,SECC,TO.5,-,-,SV7	S.N.A
....5	R927	2001-000793	R-CARBON;470HM,5%,1/8W,AA,TP,1.8X3.2MM	3		AA63-00209B	GRILLE WOOFER-R;21S4,SECC,TO.5,-,-,SV7	S.N.A
....5	R928	2001-000290	R-CARBON;10KOHM,5%,1/8W,AA,TP,1.8X3.2MM	3				

ASSY COVER REAR

ASSY COVER FRONT

Level	Loc. No.	Code No.	Description ; Specification	Remark
...	...	AA63-00323E	COVER-CONTROL;21S4,HIPS HB,-,-,-,GRAY,	S.N.A
...	...	AA64-00706M	CABINET-FRONT;21S4,S5,HIPS,HB,G4309,SV70	S.N.A
...	...	AA64-00709B	KNOB CONTROL;21S4,ABS,-,-,-,HB,G3676,-,-	
..2	...	AA65-30107A	CLAMP-D,COIL;20-22 INCH,NYLON 66,V2,-,NT	S.N.A
..2	...	AA63-60004K	SPACER-GUM,CRT,-,NTR RUBBER,-,-,-,BLK,T2	S.N.A

ASSY CPT

1	*	AA91-03065A	ASSY CPT;CS21S4ZX/AWE	S.N.A
..2	...	AA91-02169Y	ASSY CPT;A51KQJ63X(H),21.0MG,BARE	S.N.A
...	...	AA63-60028A	SPACER-DY,-,NEOPRENE,-,-,-,BLK,-,-,VO W1	S.N.A
...	...	AA27-50005K	DEFLECTION-YOKE,-,CDY-S2192M,ST-3,A51KQJ	
△	...	AA27-00002A	MAGNET-CONVERGENCE,-,JH291-SC-OB,29.1MM	
...	...	AA03-10027E	CRT-COLOR;A51KQJ63X(H),0mG,2.28mH,22.7mH	
..2	...	AA98-70014C	ASSY-TBC,WIRE(P);,21',NTSC,1P,TVI	S.N.A
..2	...	AA27-00144A	COIL DEGAUSSING;48T,90HM,21INCH,110/220	

ASSY ACCESSORY

1	*	AA92-03227S	ASSY ACCESSORY;CS21S4ZX/AWE	S.N.A
..2	...	AA68-01795A	MANUAL USERS,-,FRE,-,W/P100G,ALL1,B5,KS1A,	S.N.A
..2	...	AA68-01602B	MANUAL USERS,-,ENG,W/P100G,ALL1,B5,KS1A,3	S.N.A
..2	...	AA59-00104J	REMOCON,-,TM59,SIM806E,25,L/GRAY,EX,GRAY	
..2	...	AA26-90001C	TRANS-MATCHING,-,300ohm/75ohm,PAL,40-890	

7-7 CZ21S4TX/BOB

Level	Loc. No.	Code No.	Description ; Specification	Remark
-------	----------	----------	-----------------------------	--------

ASSY CHASSIS

1	*	AA91-02147W	ASSY CHASSIS;CZ21S4TX/BOB	
..2	...	AA94-07596Z	ASSY PCB MAIN;CZ21S4TBX/BOB,KS1A,BULGARI	S.N.A
...	C801	2401-000534	C-AL;150uF,20%,400V,GP,ST,25x30,10	
...	C901	2305-000412	C-FILM,MPEF;470nF,5%,63V,TP,-,5mm	
...	CLAMP	AA65-30018A	CLAMP-WIRE;DONG-A,NYLON-66,-,-,-,DATL-60	
...	CN501	AA39-20620C	LEAD CONNECTOR-ASSY;9PYBNH250-09,S,500	
...	D-COIL	AA65-30107A	CLAMP-D,COIL;20-22 INCH,NYLON 66,V2,-,NT	
△	D806	AA96-00243D	ASSY H/S,-,BRIDGE,AA62-00045A,D06U20S,DR	
...	...	0205-000129	GREASE-SILICON;SC102,JAPAN	
...	...	0402-001374	DIODE-RECTIFIER;FFP06U20S,200V,6A,TO-22	
...	...	6003-000335	SCREW-TAPTITE;RH,+2S,M3,L8,ZPC(YEL),SWR	
...	...	AA62-00045A	HEAT SINK-PS,-,T1.0,-,-,DREAM,-,-,-,-	
△	IC201S	AA09-00251A	IC MICOM;TDA9351/N2/3,SPM-802EE1,64P,3.3	
...	IC301	AA96-00244A	ASSY H/S,-,AA62-00046A,LA7840,-	
...	...	0205-000129	GREASE-SILICON;SC102,JAPAN	
...	...	1204-001483	IC-VERTICAL PROCESSOR;LA7840,SIF7P708MI	
...	...	6003-000335	SCREW-TAPTITE;RH,+2S,M3,L8,ZPC(YEL),SWR	
...	...	AA62-00046A	HEAT SINK-PS,-,T1.0,-,D1(DREAM) 60X25X	
...	IC601	AA96-00244G	ASSY H/S;-AUDIO,AA62-00046A,TDA8944J,BR	
...	...	AA62-00046A	HEAT SINK-PS,-,T1.0,-,D1(DREAM) 60X25X	
...	...	AA61-10162B	BRACKET-IC,-,SBHG-1,T1.0,-,-,100	
...	...	6003-000335	SCREW-TAPTITE;RH,+2S,M3,L8,ZPC(YEL),SWR	
...	...	1201-001741	IC-AUDIO AMP;TDA8944J,DBS,17P937MIL,DUA	
...	...	0205-000129	GREASE-SILICON;SC102,JAPAN	
...	Q401	0502-001160	TR-POWER;2SD2499,NPN,50000mW,TO-3PBK,8-	
...	R600	2006-001020	R-CEMENT;3.90HM,5%,5W,CJ,TP,10.5X14X23.5	
△	T444S	AA26-00065A	TRANS FBT,-,FSV-14A004C(S),14-22,125V	
△	T801S	AA26-00164A	TRANS SWITCHING;EER3942,CS21S4,CIS,160V-	
...	...	AA65-30111A	CLAMP-WIRE;ALL MODEL,NYLON,VO,-,WHT,IT 1	S.N.A
...	...	0202-000187	SOLDER-WIRE FLUX,-,RS60S,D1.2,63Sn/37Pb	S.N.A
...	...	AA97-03440A	ASSY ROBOT-MAIN;CZ21S4TBX/BOB,KS1A,BULGA	S.N.A
...	CN701	3711-000628	CONNECTOR-HEADER,-,11P,1R,2.5mm,STRAIGHT	
△	CR402S	2306-000188	C-FILM,MPPF;330nF,5%,400V,TP,26x19.5x11,	
△	CR410S	2303-001015	C-FILM,PPF;5.5nF,5%,1.6kV,TP,29x9.5x17.2	
△	CX801S	2306-000318	C-FILM,MPPF;220nF,20%,250V,TP,-,22.5mm	
△	CY801S	2201-000446	C-CERAMIC,DISC;3.3nF,20%,400V,Y5U,TP,15x	
△	FP801S	3601-000281	FUSE-CARTRIDGE;250V,4A,TIME-LAG,GLASS,5.	
...	IC501	AA96-50311A	ASSY-H/S;-VIDEO,AA62-30175D,TDA6107Q,-	S.N.A
...	...	1201-001159	IC-VIDEO AMP;6107,ZSIP9P,-,SINGLE,-,PLA	
...	...	6003-000334	SCREW-TAPTITE;RH,+2S,M3,L6,ZPC(YEL),SWR	S.N.A
...	...	AA62-30175D	HEAT-SINK-PS,-,SECC,T1.0,-,33X15X30 FT-2	S.N.A
△	IC901S	AA96-00242A	ASSY H/S,-,AA62-30186B,KA500765R,-	S.N.A
...	...	0205-000129	GREASE-SILICON;SC102,JAPAN	S.N.A

Level	Loc. No.	Code No.	Description ; Specification	Remark
-------	----------	----------	-----------------------------	--------

...	...	1203-001932	IC-PWM CONTROLLER;5Q00765,TO-220F,5P,185M	
...	...	6003-000333	SCREW-TAPTITE;RH,+2S,M3,L10,ZPC(YEL),SW	S.N.A
...	...	AA62-30186B	HEAT SINK-ES,-,-,-,SILVER,171J + COVER-H	S.N.A
△	IC802	AA96-00245A	ASSY H/S,-,AA62-00055A,KA7632,-	S.N.A
...	...	1203-001939	IC-POS.FIXED REG.;7632,SIP,10P,-,PLASTI	
...	...	6003-000334	SCREW-TAPTITE;RH,+2S,M3,L6,ZPC(YEL),SWR	S.N.A
...	...	AA62-00055A	HEAT SINK-PS,-,T1.0,-,35*15*25,D1,-,-	S.N.A
...	IC902	1103-001200	IC-EEPROM;M24C08-WBN6,1024x8Bit,DIP,8P,3	
...	...	3722-000183	JACK-SCART;21P,4mm,SN,BLK,NO	
...	LD901	AA96-00555A	ASSY LED GUIDE,-,UJEX-LD-030,GREEN	S.N.A
△	LR401S	AA27-00053A	COIL-LINEARLITY,-,193uH,DR10X10 C:4.35,7	
△	LX801S	AA29-30001B	FILTER-LINE NOISE,-,27mH,-,-	
△	NT802S	1404-001045	THERMISTOR-NTC;4.7ohm,15%,2900K,35.0mW,T	
△	P803S	1404-001156	THERMISTOR-PTC;90HM,+30%/+20%,220VRMS,27	
△	PC801S	0604-001032	PHOTO-COUPLER;TR,170-260V,300mV,DIP,4,ST	
△	RM901	AA32-00009A	MODULE REMOCON;FRP-3521H3,38KHZ,940NM,ME	
△	SF101S	2904-001063	FILTER-SAW AV;38.9MHz,SIP5K,TP,18.5dB,B/	
△	SW801S	3403-001107	SWITCH-PUSH;250V,5A,DPST,-,KDC-A04	
△	T401	AA26-50001B	TRANS-HORIZ.DRIVE,-,7.1mH,-,-,102uH,	
△	TU01S	AA40-00070A	TUNER;TEDE9-203A,PAL,181CH,38.9MHz,750HM	
△	V999S	3704-001105	SOCKET-CRT;11P,20P,26.5P,NI,-	
...	...	AA97-04818A	ASSY AUTO-MAIN;CZ21S4TBX/BOB,KS1A,BULGAR	S.N.A
...	C101	2401-001101	C-AL;330uF,20%,16V,GP,TP,8x11.5,5	
...	C102	2202-000279	C-CERAMIC,MLC-AXIAL;47pF,5%,50V,SL,TP,3	
...	C103	2305-000665	C-FILM,MPEF;100nF,5%,63V,TP,7.5x4.0x5.0m	
...	C106	2202-000127	C-CERAMIC,MLC-AXIAL;10nF,+80-20%,25V,Y5V	
...	C109	2301-000224	C-FILM,PEF;22nF,5%,50V,TP,7.4x3.9x13mm,5	
...	C110	2401-000962	C-AL;22uF,20%,50V,GP,TP,5x11.5	
...	C111	2202-000127	C-CERAMIC,MLC-AXIAL;10nF,+80-20%,25V,Y5V	
...	C115	2202-000632	C-CERAMIC,MLC-AXIAL;100nF,20%,50V,Z5U,TP	
...	C203	2401-001176	C-AL;33uF,20%,25V,GP,TP,5x11.5	
...	C204	2305-000665	C-FILM,MPEF;100nF,5%,63V,TP,7.5x4.0x5.0m	
...	C205	2305-000665	C-FILM,MPEF;100nF,5%,63V,TP,7.5x4.0x5.0m	
...	C206	2401-002235	C-AL;10uF,20%,16V,GP,TP,5x11mm,5mm	
...	C207	2305-000412	C-FILM,MPEF;470nF,5%,63V,TP,-,5mm	
...	C208	2305-000665	C-FILM,MPEF;100nF,5%,63V,TP,7.5x4.0x5.0m	
...	C209	2401-001840	C-AL;100uF,20%,16V,GP,TP,6.3x11.5	
...	C210	2305-000665	C-FILM,MPEF;100nF,5%,63V,TP,7.5x4.0x5.0m	
...	C211	2202-000632	C-CERAMIC,MLC-AXIAL;100nF,+80-20%,50V,Z5U,TP	
...	C212	2401-000647	C-AL;2.2uF,20%,50V,BP,TP,5x11.5	
...	C213	2401-001840	C-AL;100uF,20%,16V,GP,TP,6.3x11.5	
...	C214	2401-001840	C-AL;100uF,20%,16V,GP,TP,6.3x11.5	
...	C215	2305-000289	C-FILM,MPEF;220nF,5%,63V,TP,-,5mm	
...	C216	2305-000289	C-FILM,MPEF;220nF,5%,63V,TP,-,5mm	
...	C217	2301-000342	C-FILM,PEF;2.2nF,5%,50V,TP,7.4x3.9x13mm,	
...	C218	2305-000665	C-FILM,MPEF;100nF,5%,63V,TP,7.5x4.0x5.0m	
...	C219	2401-000603	C-AL;1uF,20%,50V,GP,TP,5x11.5	

Level	Loc. No.	Code No.	Description ; Specification	Remark	Level	Loc. No.	Code No.	Description ; Specification	Remark
....5	C220	2401-002235	C-AL;10uF,20%,16V,GP,TP;5x11mm,5mm	5	C910	2401-001840	C-AL;100uF,20%,16V,GP,TP;6.3x11,5	
....5	C221	2401-000660	C-AL;2.2uF,20%,50V,GP,TP;5x11,5	5	C911	2202-000632	C-CERAMIC,MLC-AXIAL;100nF,20%,50V,Z5U,TP	
....5	C222	2401-000758	C-AL;220nF,20%,50V,GP,TP;5x11,5	5	C913	2305-000665	C-FILM,MPEF;100nF,5%,63V,TP;7.5x4.0x5.0m	
....5	C223	2202-000796	C-CERAMIC,MLC-AXIAL;1nF,10%,50V,Y5P,TP3	5	C915	2401-000302	C-AL;100uF,20%,25V,GP,TP;6.3x11,5	
....5	C224	2202-000796	C-CERAMIC,MLC-AXIAL;1nF,10%,50V,Y5P,TP3	5	CN602	3711-002643	CONNECTOR-HEADER;BOX,4P,1R,2.5mm,STRAIGH	
....5	C225	2309-000138	C-FILM,PE-PFF;100nF,5%,50V,TP,20x16x8,5	5	CR404S	2201-000639	C-CERAMIC,DISC;0.68nF,10%,2kV,Y5P,TP;9x5	
....5	C226	2202-000829	C-CERAMIC,MLC-AXIAL;82nF,10%,50V,Y5P,TP	5	CR405S	2305-000382	C-FILM,MPEF;4.7nF,5%,400V,TP;-,5mm	
....5	C227	2301-000014	C-FILM,PEF;6.8nF,5%,100V,TP;5.8x12.5mm,5	5	CR409S	2201-002028	C-CERAMIC,DISC;0.47nF,10%,2kV,Y5P,TP;7,5	
....5	C229	2401-001840	C-AL;100uF,20%,16V,GP,TP;6.3x11,5	5	D201	0401-000005	DIODE-SWITCHING;1N4148,100V,200mA,DO-35,	
....5	C230	2305-000665	C-FILM,MPEF;100nF,5%,63V,TP;7.5x4.0x5.0m	5	D301	0402-001105	DIODE-RECTIFIER;ERB43-04SV1,400V,1.0A,-,	
....5	C231	2305-000665	C-FILM,MPEF;100nF,5%,63V,TP;7.5x4.0x5.0m	5	D302	0402-001352	DIODE-RECTIFIER;GUF15G-20A,400V,1.5A,DO-	
....5	C233	2305-000289	C-FILM,MPEF;220nF,5%,63V,TP;-,5mm	5	D303	0402-000132	DIODE-RECTIFIER;1N4004,400V,1A,DO-41,TP	
....5	C234	2301-000342	C-FILM,PEF;2.2nF,5%,50V,TP;7.4x3.9x13mm,	5	D304	0402-001105	DIODE-RECTIFIER;ERB43-04SV1,400V,1.0A,-,	
....5	C248	2301-000445	C-FILM,PEF;4.7nF,5%,50V,TP;5.5x7x3mm,5mm	5	D305	0401-000005	DIODE-SWITCHING;1N4148,100V,200mA,DO-35,	
....5	C301	2305-000285	C-FILM,MPEF;220nF,5%,100V,TP;10.5x5.5x15	5	D401	0402-001105	DIODE-RECTIFIER;ERB43-04SV1,400V,1.0A,-,	
....5	C302	2201-000259	C-CERAMIC,DISC;0.18nF,10%,500V,Y5P,TP5.	5	D501	0402-000254	DIODE-RECTIFIER;RGP10J,600V,1A,DO-41,TP	
....5	C303	2201-000556	C-CERAMIC,DISC;0.47nF,10%,500V,Y5P,TP5.	5	D502	0402-001105	DIODE-RECTIFIER;ERB43-04SV1,400V,1.0A,-,	
....5	C304	2401-002288	C-AL;470uF,20%,25V,WT,TP;10x20,5	5	D503	0402-001105	DIODE-RECTIFIER;ERB43-04SV1,400V,1.0A,-,	
....5	C305	2201-000556	C-CERAMIC,DISC;0.47nF,10%,500V,Y5P,TP5.	5	D504	0402-001105	DIODE-RECTIFIER;ERB43-04SV1,400V,1.0A,-,	
....5	C306	2401-002288	C-AL;470uF,20%,25V,WT,TP;10x20,5	5	D801S	0402-001111	DIODE-RECTIFIER;1N5397GP600V,1.5A,DO-20	
....5	C307	2401-000360	C-AL;100uF,20%,50V,GP,TP;8x11,5,5	5	D802	0402-001111	DIODE-RECTIFIER;1N5397GP600V,1.5A,DO-20	
....5	C308	2401-000360	C-AL;100uF,20%,50V,GP,TP;8x11,5,5	5	D802S	0402-001111	DIODE-RECTIFIER;1N5397GP600V,1.5A,DO-20	
....5	C309	2301-000254	C-FILM,PEF;39nF,5%,50V,TP;7.5x3.5x6.5mm,	5	D803	0402-000254	DIODE-RECTIFIER;RGP10J,600V,1A,DO-41,TP	
....5	C310	2401-000223	C-AL;100nF,20%,50V,LL,TP;5x11mm,5mm	5	D803S	0402-001111	DIODE-RECTIFIER;1N5397GP600V,1.5A,DO-20	
....5	C312	2305-000149	C-FILM,MPEF;100nF,5%,100V,TP;12x12.5x6.5	5	D804	0401-000006	DIODE-SWITCHING;BAV21,250V,250mA,DO-35,T	
....5	C403	2401-000560	C-AL;1uF,20%,160V,GP,TP;6.3x11,5	5	D804S	0402-001111	DIODE-RECTIFIER;1N5397GP600V,1.5A,DO-20	
....5	C406	2401-002619	C-AL;47uF,20%,25V,GP,TP;5x11,5	5	D805	0402-001443	DIODE-RECTIFIER;EGP20K,800V,2A,DO-15,TP	
....5	C407	2301-000383	C-FILM,PEF;10nF,5%,50V,TP;6x7x3.2mm,5mm	5	D808	0401-000005	DIODE-SWITCHING;1N4148,100V,200mA,DO-35,	
....5	C408	2201-000599	C-CERAMIC,DISC;0.56nF,10%,500V,Y5P,TP5.	5	D809	0402-000132	DIODE-RECTIFIER;1N4004,400V,1A,DO-41,TP	
....5	C420	2301-001065	C-FILM,MPPF;4.7nF,5%,630V,TP;19x15.5x7,7.	5	D811	0401-000005	DIODE-SWITCHING;1N4148,100V,200mA,DO-35,	
....5	C502	2301-000213	C-FILM,PEF;220nF,5%,250V,TP;21.5x11,7,5	5	D812	0402-001105	DIODE-RECTIFIER;ERB43-04SV1,400V,1.0A,-,	
....5	C503	2201-000723	C-CERAMIC,DISC;4.7nF,20%,3KV,Y5U,TP;16x5	5	D901	0401-000005	DIODE-SWITCHING;1N4148,100V,200mA,DO-35,	
....5	C504	2401-001232	C-AL;4.7uF,20%,250V,GP,TP;10x12.5,5	5	DZ101	0403-000700	DIODE-ZENER;TZP33A,33V,31-35V,1W,DO-41,T	
....5	C505	2202-000825	C-CERAMIC,MLC-AXIAL;680pF,10%,50V,Y5P,TP	5	DZ201	0403-000720	DIODE-ZENER;MTZJ9.1B,9.1V,8.57-9.01V,500	
....5	C506	2401-000430	C-AL;10uF,20%,250V,GP,TP;10x16mm,5m	5	DZ203	0403-001322	DIODE-ZENER;MTZJ9.2B,7.78-8.19V,500mW,DO	
....5	C601	2401-001998	C-AL;1000uF,20%,25V,GP,TP;10x20,5mm	5	DZ204	0403-000720	DIODE-ZENER;MTZJ9.1B,9.1V,8.57-9.01V,500	
....5	C603	2305-000289	C-FILM,MPEF;220nF,5%,63V,TP;-,5mm	5	DZ205	0403-000720	DIODE-ZENER;MTZJ9.1B,9.1V,8.57-9.01V,500	
....5	C604	2401-000660	C-AL;2.2uF,20%,50V,GP,TP;5x11,5	5	DZ207	0403-000720	DIODE-ZENER;MTZJ9.1B,9.1V,8.57-9.01V,500	
....5	C605	2401-000660	C-AL;2.2uF,20%,50V,GP,TP;5x11,5	5	DZ301	0403-001328	DIODE-ZENER;MTZJ22A,20.15-21.20V,500mW,DO	
....5	C606	2301-000383	C-FILM,PEF;10nF,5%,50V,TP;6x7x3.2mm,5mm	5	DZ302	0403-001221	DIODE-ZENER;UZ39SBS,35.36-37.19V,500mW,DO	
....5	C607	2305-000289	C-FILM,MPEF;220nF,5%,63V,TP;-,5mm	5	DZ303	0403-000700	DIODE-ZENER;TZP33A,33V,31-35V,1W,DO-41,T	
....5	C610	2301-000383	C-FILM,PEF;10nF,5%,50V,TP;6x7x3.2mm,5mm	5	DZ305	0403-001328	DIODE-ZENER;MTZJ22A,20.15-21.20V,500mW,DO	
....5	C611	2305-000289	C-FILM,MPEF;220nF,5%,63V,TP;-,5mm	5	DZ306	0403-000720	DIODE-ZENER;MTZJ9.1B,9.1V,8.57-9.01V,500	
....5	C612	2401-000480	C-AL;10uF,20%,50V,GP,TP;5x11,5	5	DZ307	0403-000720	DIODE-ZENER;MTZJ9.1B,9.1V,8.57-9.01V,500	
....5	C613	2305-000289	C-FILM,MPEF;220nF,5%,63V,TP;-,5mm	5	DZ401	0403-000508	DIODE-ZENER;MTZJ5.6B,5.6V,5.45-5.73V,500	
....5	C618	2305-000665	C-FILM,MPEF;100nF,5%,63V,TP;7.5x4.0x5.0m	5	DZ402	0403-000508	DIODE-ZENER;MTZJ5.6B,5.6V,5.45-5.73V,500	
....5	C619	2305-000665	C-FILM,MPEF;100nF,5%,63V,TP;7.5x4.0x5.0m	5	DZ501	0403-000720	DIODE-ZENER;MTZJ9.1B,9.1V,8.57-9.01V,500	
....5	C702	2202-000210	C-CERAMIC,MLC-AXIAL;270pF,10%,50V,Y5P,TP	5	DZ502	0403-000720	DIODE-ZENER;MTZJ9.1B,9.1V,8.57-9.01V,500	
....5	C703	2202-000121	C-CERAMIC,MLC-AXIAL;100pF,10%,50V,Y5P,TP	5	DZ503	0403-000720	DIODE-ZENER;MTZJ9.1B,9.1V,8.57-9.01V,500	
....5	C704	2202-000121	C-CERAMIC,MLC-AXIAL;100pF,10%,50V,Y5P,TP	5	DZ504	0403-000720	DIODE-ZENER;MTZJ9.1B,9.1V,8.57-9.01V,500	
....5	C706	2401-001989	C-AL;4.7uF,20%,50V,BP,TP;5x11,5	5	DZ701	0403-000720	DIODE-ZENER;MTZJ9.1B,9.1V,8.57-9.01V,500	
....5	C707	2301-000204	C-FILM,PEF;2.7nF,5%,50V,TP;7.4x3.9x13mm,	5	DZ702	0403-000720	DIODE-ZENER;MTZJ9.1B,9.1V,8.57-9.01V,500	
....5	C709	2401-000480	C-AL;10uF,20%,50V,GP,TP;5x11,5	5	DZ703	0403-000720	DIODE-ZENER;MTZJ9.1B,9.1V,8.57-9.01V,500	
....5	C802	2401-001192	C-AL;33uF,20%,50V,GP,TP;6.3x11,5	5	DZ704	0403-000720	DIODE-ZENER;MTZJ9.1B,9.1V,8.57-9.01V,500	
....5	C803	2305-000665	C-FILM,MPEF;100nF,5%,63V,TP;7.5x4.0x5.0m	5	DZ801	0403-001140	DIODE-ZENER;RD10ESAB-T4,10V,9.19-10.30V,	
....5	C804	2301-000224	C-FILM,PEF;22nF,5%,50V,TP;7.4x3.9x13mm,5	5	DZ802	0403-001318	DIODE-ZENER;MTZJ4.3B,4.17-4.43V,500mW,DO	
....5	C805	2301-000445	C-FILM,PEF;4.7nF,5%,50V,TP;5.5x7x3mm,5mm	5	DZ803	0403-000699	DIODE-ZENER;TZP27B,27V,27-30.8V,1W,DO-41	
....5	C806	2301-001435	C-FILM,PPF;1.5nF,5%,1.2kV,TP;15x8x12.5mm	5	DZ804	0403-000720	DIODE-ZENER;MTZJ9.1B,9.1V,8.57-9.01V,500	
....5	C810	2301-000192	C-FILM,PEF;1nF,5%,50V,TP;5.3x10mm,5mm	5	DZ805	0403-001327	DIODE-ZENER;MTZJ5.6B,5.6V,5.45-5.73V,500	
....5	C811	2201-000991	C-CERAMIC,DISC;0.56nF,10%,2kV,Y5P,TP;7,5	5	DZ806	0403-001317	DIODE-ZENER;MTZJ3.0B,3.01-3.22V,500mW,DO	
....5	C812	2401-000262	C-AL;100uF,20%,160V,HR,TP;16x25,7,5	5	DZ807	0403-000508	DIODE-ZENER;MTZJ5.6B,5.6V,5.45-5.73V,500	
....5	C813	2401-002290	C-AL;47uF,20%,160V,GP,TP;13x20,5	5	DZ808	0403-000720	DIODE-ZENER;MTZJ9.1B,9.1V,8.57-9.01V,500	
....5	C814	2201-000991	C-CERAMIC,DISC;0.56nF,10%,2kV,Y5P,TP;7,5	5	DZ810	0403-000508	DIODE-ZENER;MTZJ5.6B,5.6V,5.45-5.73V,500	
....5	C816	2201-000375	C-CERAMIC,DISC;0.22nF,5%,50V,RH,TP;12,5x	5	DZ901	0403-001319	DIODE-ZENER;MTZJ4.7C,4.68-4.93V,500mW,DO	
....5	C817	2401-000302	C-AL;100uF,20%,25V,GP,TP;6.3x11,5	5	DZ903	0403-000508	DIODE-ZENER;MTZJ5.6B,5.6V,5.45-5.73V,500	
....5	C818	2401-003028	C-AL;100uF,20%,25V,WT,TP;6.3x11,5	5	DZ904	0403-000508	DIODE-ZENER;MTZJ5.6B,5.6V,5.45-5.73V,500	
....5	C819	2305-000665	C-FILM,MPEF;100nF,5%,63V,TP;7.5x4.0x5.0m	5	DZ905	0403-000508	DIODE-ZENER;MTZJ5.6B,5.6V,5.45-5.73V,500	
....5	C820	2401-000480	C-AL;10uF,20%,50V,GP,TP;5x11,5	5	DZ906	0403-001319	DIODE-ZENER;MTZJ4.7C,4.68-4.93V,500mW,DO	
....5	C821	2401-003028	C-AL;100uF,20%,25V,WT,TP;6.3x11,5	5	DZ907	0403-001319	DIODE-ZENER;MTZJ4.7C,4.68-4.93V,500mW,DO	
....5	C822	2401-000711	C-AL;2200uF,20%,25V,GP,TP;16x25,7,5	5	DZ908	0403-001319	DIODE-ZENER;MTZJ4.7C,4.68-4.93V,500mW,DO	
....5	C823	2401-000302	C-AL;100uF,20%,25V,GP,TP;6.3x11,5	5	EL301	AA60-40011B	EYELET;ID2,2.0D3.2,-,BSP,-	S.N.A
....5	C827	2401-000927	C-AL;22uF,20%,250V,GP,TP;13x20,5	5	EL302	AA60-40011B	EYELET;ID2,2.0D3.2,-,BSP,-	S.N.A
....5	C903	2401-001840	C-AL;100uF,20%,16V,GP,TP;6.3x11,5	5	EL403	AA60-40011B	EYELET;ID2,2.0D3.2,-,BSP,-	S.N.A
....5	C904	2301-000383	C-FILM,PEF;10nF,5%,50V,TP;6x7x3.2mm,5mm	5	EL404	AA60-40011B	EYELET;ID2,2.0D3.2,-,BSP,-	S.N.A
....5	C906	2202-000796	C-CERAMIC,MLC-AXIAL;1nF,10%,50V,Y5P,TP3	5	EL407	AA60-40011B	EYELET;ID2,2.0D3.2,-,BSP,-	S.N.A
....5	C908	2201-000573	C-CERAMIC,DISC;0.047nF,5%,50V,NP0,TP;5x3	5	EL408	AA60-40011B	EYELET;ID2,2.0D3.2,-,BSP,-	S.N.A
....5	C909	2201-000573	C-CERAMIC,DISC;0.047nF,5%,50V,NP0,TP;5x3	5	EL501	AA60-40011B	EYELET;ID2,2.0D3.2,-,BSP,-	S.N.A

Level	Loc. No.	Code No.	Description ; Specification	Remark	Level	Loc. No.	Code No.	Description ; Specification	Remark
....5	EL502	AA60-40011B	EYELET;ID2.2,OD3.2,-,BSP,-	S.N.A5	J142	2701-000115	INDUCTOR-AXIAL;10uH,10%,3x7mm	
....5	EL601	AA60-40011B	EYELET;ID2.2,OD3.2,-,BSP,-	S.N.A5	J910	3301-000287	CORE-FERRITE BEAD;AA,3.5x1.0x6.0mm,1500,	
....5	EL602	AA60-40011B	EYELET;ID2.2,OD3.2,-,BSP,-	S.N.A5	L101	2701-000171	INDUCTOR-AXIAL;330nH,10%,2.5x3.4mm	
....5	EL801	AA60-40011B	EYELET;ID2.2,OD3.2,-,BSP,-	S.N.A5	L102	2701-000159	INDUCTOR-AXIAL;22uH,10%,4.2x9.8mm	
....5	EL802	AA60-40011B	EYELET;ID2.2,OD3.2,-,BSP,-	S.N.A5	L103	2701-000114	INDUCTOR-AXIAL;10uH,10%,2.5x3.4mm	
....5	EL804	AA60-40011B	EYELET;ID2.2,OD3.2,-,BSP,-	S.N.A5	L104	2701-000168	INDUCTOR-AXIAL;3.3uH,5%,2.5x3.4mm	
....5	EY101	AA60-40011A	EYELET;ID2.0,OD2.8,-,BST,-	S.N.A5	L201	2701-000159	INDUCTOR-AXIAL;22uH,10%,4.2x9.8mm	
....5	EY401	AA60-40011A	EYELET;ID2.0,OD2.8,-,BST,-	S.N.A5	L202	2701-000114	INDUCTOR-AXIAL;10uH,10%,2.5x3.4mm	
....5	EY402	AA60-40011A	EYELET;ID2.0,OD2.8,-,BST,-	S.N.A5	L204	2701-000184	INDUCTOR-AXIAL;4.7uH,10%,2.5x3.4mm	
....5	EY403	AA60-40011A	EYELET;ID2.0,OD2.8,-,BST,-	S.N.A5	L205	2701-000159	INDUCTOR-AXIAL;22uH,10%,4.2x9.8mm	
....5	EY404	AA60-40011A	EYELET;ID2.0,OD2.8,-,BST,-	S.N.A5	L301	2701-000142	INDUCTOR-AXIAL;1uH,10%,2.5x3.4mm	
....5	EY405	AA60-40011A	EYELET;ID2.0,OD2.8,-,BST,-	S.N.A5	L302	2701-000142	INDUCTOR-AXIAL;1uH,10%,2.5x3.4mm	
....5	EY406	AA60-40011A	EYELET;ID2.0,OD2.8,-,BST,-	S.N.A	△	L403	2901-000297	FILTER-EMI ON BOARD;-3A,-,3.5x5,TP-	
....5	EY407	AA60-40011A	EYELET;ID2.0,OD2.8,-,BST,-	S.N.A5	L404	2701-000142	INDUCTOR-AXIAL;1uH,10%,2.5x3.4mm	
....5	EY408	AA60-40011A	EYELET;ID2.0,OD2.8,-,BST,-	S.N.A5	L405	2701-000159	INDUCTOR-AXIAL;22uH,10%,4.2x9.8mm	
....5	EY409	AA60-40011A	EYELET;ID2.0,OD2.8,-,BST,-	S.N.A5	L702	2701-000184	INDUCTOR-AXIAL;4.7uH,10%,2.5x3.4mm	
....5	EY410	AA60-40011A	EYELET;ID2.0,OD2.8,-,BST,-	S.N.A5	L703	2701-000184	INDUCTOR-AXIAL;4.7uH,10%,2.5x3.4mm	
....5	EY411	AA60-40011A	EYELET;ID2.0,OD2.8,-,BST,-	S.N.A5	L704	2701-000184	INDUCTOR-AXIAL;4.7uH,10%,2.5x3.4mm	
....5	EY412	AA60-40011A	EYELET;ID2.0,OD2.8,-,BST,-	S.N.A5	L706	2701-000184	INDUCTOR-AXIAL;4.7uH,10%,2.5x3.4mm	
....5	EY414	AA60-40011A	EYELET;ID2.0,OD2.8,-,BST,-	S.N.A5	L802	3301-000287	CORE-FERRITE BEAD;AA,3.5x1.0x6.0mm,1500,	
....5	EY415	AA60-40011A	EYELET;ID2.0,OD2.8,-,BST,-	S.N.A5	L803	3301-000287	CORE-FERRITE BEAD;AA,3.5x1.0x6.0mm,1500,	
....5	EY416	AA60-40011A	EYELET;ID2.0,OD2.8,-,BST,-	S.N.A5	L804	2701-001030	INDUCTOR-AXIAL;43uH,10%,5x14mm	
....5	EY417	AA60-40011A	EYELET;ID2.0,OD2.8,-,BST,-	S.N.A5	L806	2901-000297	FILTER-EMI ON BOARD;-3A,-,3.5x5,TP-	
....5	EY419	AA60-40011A	EYELET;ID2.0,OD2.8,-,BST,-	S.N.A5	L807	2701-001030	INDUCTOR-AXIAL;43uH,10%,5x14mm	
....5	EY420	AA60-40011A	EYELET;ID2.0,OD2.8,-,BST,-	S.N.A5	L808	2901-000297	FILTER-EMI ON BOARD;-3A,-,3.5x5,TP-	
....5	EY421	AA60-40011A	EYELET;ID2.0,OD2.8,-,BST,-	S.N.A5	L902	2701-000114	INDUCTOR-AXIAL;10uH,10%,2.5x3.4mm	
....5	EY422	AA60-40011A	EYELET;ID2.0,OD2.8,-,BST,-	S.N.A5	L903	2701-000158	INDUCTOR-AXIAL;22uH,10%,2.5x3.4mm	
....5	EY423	AA60-40011A	EYELET;ID2.0,OD2.8,-,BST,-	S.N.A5	L904	2701-000114	INDUCTOR-AXIAL;10uH,10%,2.5x3.4mm	
....5	EY501	AA60-40011A	EYELET;ID2.0,OD2.8,-,BST,-	S.N.A5	PCB	AA41-00131H	PCB-MAIN;CS21D8,FR-1,1L,H,1.6T,245X245,K	S.N.A
....5	EY801	AA60-40011A	EYELET;ID2.0,OD2.8,-,BST,-	S.N.A5	Q201	0501-000283	TR-SMALL SIGNAL;KSA539,PNP,400mW,TO-92,T	
....5	EY802	AA60-40011A	EYELET;ID2.0,OD2.8,-,BST,-	S.N.A5	Q202	0501-000389	TR-SMALL SIGNAL;KSC815,NPN,400mW,TO-92,T	
....5	EY803	AA60-40011A	EYELET;ID2.0,OD2.8,-,BST,-	S.N.A5	Q205	0501-000389	TR-SMALL SIGNAL;KSC815,NPN,400mW,TO-92,T	
....5	EY807	AA60-40011A	EYELET;ID2.0,OD2.8,-,BST,-	S.N.A5	Q301	0501-000283	TR-SMALL SIGNAL;KSA539,PNP,400mW,TO-92,T	
....5	EY808	AA60-40011A	EYELET;ID2.0,OD2.8,-,BST,-	S.N.A5	Q402	0501-000369	TR-SMALL SIGNAL;KSC2331-Y,NPN,1000mW,TO-	
....5	EY809	AA60-40011A	EYELET;ID2.0,OD2.8,-,BST,-	S.N.A5	Q701	0501-000389	TR-SMALL SIGNAL;KSC815,NPN,400mW,TO-92,T	
....5	EY810	AA60-40011A	EYELET;ID2.0,OD2.8,-,BST,-	S.N.A5	Q802	0501-000389	TR-SMALL SIGNAL;KSC815,NPN,400mW,TO-92,T	
....5	EY813	AA60-40011A	EYELET;ID2.0,OD2.8,-,BST,-	S.N.A5	Q901	0501-000283	TR-SMALL SIGNAL;KSA539,PNP,400mW,TO-92,T	
....5	EY818	AA60-40011A	EYELET;ID2.0,OD2.8,-,BST,-	S.N.A5	Q903	0501-000389	TR-SMALL SIGNAL;KSC815,NPN,400mW,TO-92,T	
....5	EY819	AA60-40011A	EYELET;ID2.0,OD2.8,-,BST,-	S.N.A5	Q905	0501-000389	TR-SMALL SIGNAL;KSC815,NPN,400mW,TO-92,T	
....5	EY821	AA60-40011A	EYELET;ID2.0,OD2.8,-,BST,-	S.N.A5	R108	2001-000947	R-CARBON;7.5KOHM,5%,1/8W,AA,TP,1.8X3.2MM	
....5	EY822	AA60-40011A	EYELET;ID2.0,OD2.8,-,BST,-	S.N.A5	R109	2001-000786	R-CARBON;47KOHM,5%,1/8W,AA,TP,1.8X3.2MM	
....5	EY823	AA60-40011A	EYELET;ID2.0,OD2.8,-,BST,-	S.N.A5	R110	2001-000924	R-CARBON;680OHM,5%,1/8W,AA,TP,1.8X3.2MM	
....5	EY824	AA60-40011A	EYELET;ID2.0,OD2.8,-,BST,-	S.N.A5	R202	2001-000689	R-CARBON;390KOHM,5%,1/8W,AA,TP,1.8X3.2MM	
....5	EY825	AA60-40011A	EYELET;ID2.0,OD2.8,-,BST,-	S.N.A5	R203	2001-000857	R-CARBON;560OHM,5%,1/8W,AA,TP,1.8X3.2MM	
....5	EY827	AA60-40011A	EYELET;ID2.0,OD2.8,-,BST,-	S.N.A5	R204	2001-000857	R-CARBON;560OHM,5%,1/8W,AA,TP,1.8X3.2MM	
....5	EY828	AA60-40011A	EYELET;ID2.0,OD2.8,-,BST,-	S.N.A5	R205	2001-000011	R-CARBON;75KOHM,5%,1/8W,AA,TP,1.8X3.2MM	
....5	EY829	AA60-40011A	EYELET;ID2.0,OD2.8,-,BST,-	S.N.A5	R206	2001-000563	R-CARBON;27KOHM,5%,1/8W,AA,TP,1.8X3.2MM	
....5	EY830	AA60-40011A	EYELET;ID2.0,OD2.8,-,BST,-	S.N.A5	R207	2001-000005	R-CARBON;390ohm,5%,1/8W,AA,TP,1.8X3.2mm	
....5	EY833	AA60-40011A	EYELET;ID2.0,OD2.8,-,BST,-	S.N.A5	R208	2001-000591	R-CARBON;3.3KOHM,5%,1/8W,AA,TP,1.8X3.2MM	
....5	EY850	AA60-40011A	EYELET;ID2.0,OD2.8,-,BST,-	S.N.A5	R209	2001-000793	R-CARBON;47OHM,5%,1/8W,AA,TP,1.8X3.2MM	
....5	EY851	AA60-40011A	EYELET;ID2.0,OD2.8,-,BST,-	S.N.A5	R210	2001-000857	R-CARBON;560OHM,5%,1/8W,AA,TP,1.8X3.2MM	
....5	EY852	AA60-40011A	EYELET;ID2.0,OD2.8,-,BST,-	S.N.A5	R211	2001-000281	R-CARBON;100OHM,5%,1/8W,AA,TP,1.8X3.2MM	
....5	EY853	AA60-40011A	EYELET;ID2.0,OD2.8,-,BST,-	S.N.A5	R213	2001-000281	R-CARBON;100OHM,5%,1/8W,AA,TP,1.8X3.2MM	
....5	EY860	AA60-40011A	EYELET;ID2.0,OD2.8,-,BST,-	S.N.A5	R214	2001-000490	R-CARBON;200OHM,5%,1/8W,AA,TP,1.8X3.2MM	
....5	EY861	AA60-40011A	EYELET;ID2.0,OD2.8,-,BST,-	S.N.A5	R215	2001-000281	R-CARBON;100OHM,5%,1/8W,AA,TP,1.8X3.2MM	
....5	F801A	3602-000114	FUSE-HOLDER;-30mohm	5	R218	2001-000008	R-CARBON;15KOHM,5%,1/8W,AA,TP,1.8X3.2MM	
....5	F801B	3602-000114	FUSE-HOLDER;-30mohm	5	R219	2004-001914	R-METAL;39Kohm,2%,1/8W,AA,TP,1.8x3.5mm	
△	FD801S	3601-001163	FUSE-AXIAL LEAD;125V,7A,-,EPOXY,2.4X7.1MM	S.N.A5	R220	2001-000472	R-CARBON;2.7KOHM,5%,1/8W,AA,TP,1.8X3.2MM	
....5	GT101	AA60-40014A	PIN-GT,ASSY;1P,-,AUTO	S.N.A5	R222	2001-000947	R-CARBON;7.5KOHM,5%,1/8W,AA,TP,1.8X3.2MM	
....5	GT301	AA60-40014A	PIN-GT,ASSY;1P,-,AUTO	S.N.A5	R223	2001-000281	R-CARBON;100OHM,5%,1/8W,AA,TP,1.8X3.2MM	
....5	GT302	AA60-40014A	PIN-GT,ASSY;1P,-,AUTO	S.N.A5	R224	2001-000290	R-CARBON;10KOHM,5%,1/8W,AA,TP,1.8X3.2MM	
....5	GT401	AA60-40014A	PIN-GT,ASSY;1P,-,AUTO	S.N.A5	R225	2001-001035	R-CARBON;91OHM,5%,1/8W,AA,TP,1.8X3.2MM	
....5	GT402	AA60-40014A	PIN-GT,ASSY;1P,-,AUTO	S.N.A5	R227	2001-000739	R-CARBON;4.7MOHM,5%,1/8W,AA,TP,1.8X3.2MM	
....5	GT501	AA60-40014A	PIN-GT,ASSY;1P,-,AUTO	S.N.A5	R228	2001-000739	R-CARBON;4.7MOHM,5%,1/8W,AA,TP,1.8X3.2MM	
....5	GT502	AA60-40014A	PIN-GT,ASSY;1P,-,AUTO	S.N.A5	R230	2001-000290	R-CARBON;10KOHM,5%,1/8W,AA,TP,1.8X3.2MM	
....5	GT801	AA60-40014A	PIN-GT,ASSY;1P,-,AUTO	S.N.A5	R301	2001-000016	R-CARBON(S);10HM,5%,1/2W,AA,TP,2.4X6.4MM	
....5	GT802	AA60-40014A	PIN-GT,ASSY;1P,-,AUTO	S.N.A5	R302	2004-004366	R-METAL(S);1.3Kohm,1%,1/2W,AA,TP,2.5x6.5	
....5	GT803	AA60-40014A	PIN-GT,ASSY;1P,-,AUTO	S.N.A5	R303	2003-002070	R-METAL OXIDE;1ohm,5%,2W,AF,TP,3.9x10mm	
....5	GT804	AA60-40014A	PIN-GT,ASSY;1P,-,AUTO	S.N.A5	R304	2008-000253	R-FUSIBLE(S);0.47ohm,5%,1W,AF,TP,3.9x10m	
....5	GT805	AA60-40014A	PIN-GT,ASSY;1P,-,AUTO	S.N.A5	R305	2008-000253	R-FUSIBLE(S);0.47ohm,5%,1W,AF,TP,3.9x10m	
....5	GT806	AA60-40014A	PIN-GT,ASSY;1P,-,AUTO	S.N.A5	R306	2004-004366	R-METAL(S);1.3Kohm,1%,1/2W,AA,TP,2.5x6.5	
....5	GT807	AA60-40014A	PIN-GT,ASSY;1P,-,AUTO	S.N.A5	R307	2001-000290	R-CARBON;10KOHM,5%,1/8W,AA,TP,1.8X3.2MM	
....5	HIC01	AA13-20004W	IC-HYBRID;-PAP103T,SIP,6PPRE-AMP,TP	5	R308	2001-001093	R-CARBON(S);2.2KOHM,5%,1/2W,AA,TP,2.4X6.	
△	IC803	1203-001217	IC-POSILADJUST REG.;431,TO-92,3P,4.58MIL	5	R313	2001-000258	R-CARBON;1.8KOHM,5%,1/8W,AA,TP,1.8X3.2MM	
....5	J125	2001-000016	R-CARBON(S);10HM,5%,1/2W,AA,TP,2.4X6.4MM	5	R314	2003-000537	R-METAL OXIDE(S);1Kohm,5%,1W,AF,TP,3.3x9	
....5	J137	2001-000281	R-CARBON;100OHM,5%,1/8W,AA,TP,1.8X3.2MM	5	R315	2003-002009	R-METAL OXIDE(S);390ohm,5%,2W,AF,TP,3.9x	

Level	Loc. No.	Code No.	Description ; Specification	Remark
...3		AA96-00626A	ASSY SPEAKER;-;80HM,15W,001115/001088,35	S.N.A
...4		3001-001088	SPEAKER;5W,8ohm,90dB,250Hz+-50Hz	
...4		3001-001115	SPEAKER;15W,8ohm,93dB,110	
...4		AA39-00228A	LEAD CONNECTOR ASSY;4P/4.7UF;YSH250-04,	
...3		AA60-00091J	SPACER-FELT;-;FELT,330X10,-,-,BLK,TO.5,-	S.N.A
...3		AA61-60003J	SPRING-CS;-;SUS304,-,-,OD6,N7,OD6,-,-,-,	S.N.A
...3		AA63-00208B	GRILLE WOOFER-L;21S4,SECC,TO.5,-,-,-,SV7	S.N.A
...3		AA63-00209B	GRILLE WOOFER-R;21S4,SECC,TO.5,-,-,-,SV7	S.N.A
...3		AA63-00323D	COVER-CONTROL;21S4,HIPS HB,-,-,-,-,GRAY,	S.N.A
...3		AA64-00706M	CABINET-FRONT;21S4,S5,HIPS,HB,G4309,SV70	S.N.A
...3		AA64-00709B	KNOB CONTROL;21S4,ABS,-,-,-,HB,G3676,-,-	S.N.A
...2		AA65-30107A	CLAMP-D.COIL;20-22 INCH,NYLON 66,V2,-,-,NT	S.N.A
...2		AA63-60004K	SPACER-GUM,CRT;-;NTR RUBBER,-,-,-,BLK,T2	S.N.A

ASSY COVER REAR

Level	Loc. No.	Code No.	Description ; Specification	Remark
1	*	AA90-02405A	ASSY COVER REAR;CZ21S4TX/BOB	S.N.A
...2		AA64-00707F	CABINET BACK;21S4,HIPS,V2,G4309	
...2		AA65-30008A	CLAMP-CORD;-;PE,HB,-,-,BLK,-	S.N.A

7-8 CS21D8SX/XSG

Level	Loc. No.	Code No.	Description ; Specification	Remark
-------	----------	----------	-----------------------------	--------

ASSY CHASSIS

Level	Loc. No.	Code No.	Description ; Specification	Remark
1	*	AA91-01695Y	ASSY CHASSIS;CS21D8SX/XSG	
...2		AA94-07599K	ASSY PCB MAIN;CS21D8SX/UMG,KS1A,SAUDI	S.N.A
...3	C901	2305-000412	C-FILM,MPEF;470nF,5%,63V,TP,-;5mm	
...3	CLAMP	AA65-30018A	CLAMP-WIRE;DONG-A,NYLON-66,-,-,-,DATL-60	S.N.A
...3	CN501	AA39-20620C	LEAD CONNECTOR ASSY;9P;YBNH250-09,S,500	
...3	D806	AA96-00243D	ASSY H/S;-;BRIDGE,AA62-00045A,D06U20S,DR	S.N.A
...4		0205-000129	GREASE-SILICON;SC102,JAPAN	S.N.A
...4		0402-001374	DIODE-RECTIFIER;FFPF06U20S,200V,6A,TO-22	
...4		6003-000335	SCREW-TAPTITE;RH,+2S,M3,L8,ZPC(YEL),SWR	S.N.A
...4		AA62-00045A	HEAT SINK-PS;-;T1.0,-,-,DREAM,-,-,-,-	S.N.A
...3	IC201S	AA09-00222A	IC MICOM;SPM802MAN1-0527,SPM802MAN1-0527	S.N.A
...3	IC301	AA96-00244A	ASSY H/S;-;AA62-00046A,LA7840,-	S.N.A
...4		0205-000129	GREASE-SILICON;SC102,JAPAN	S.N.A
...4		1204-001483	IC-VERTICAL PROCESSOR;LA7840,SIP7P;708MI	
...4		6003-000335	SCREW-TAPTITE;RH,+2S,M3,L8,ZPC(YEL),SWR	S.N.A
...4		AA62-00046A	HEAT SINK-PS;-;T1.0,-,-,D1(DREAM) 60X25X	S.N.A
...3	IC601	AA96-00244G	ASSY H/S;-;AUDIO,AA62-00046A,TDA8944J,BR	S.N.A
...4		AA62-00046A	HEAT SINK-PS;-;T1.0,-,-,D1(DREAM) 60X25X	S.N.A
...4		AA61-10162B	BRACKET-IC;-;SBHG-1,T1.0,-,-,-,100	S.N.A
...4		6003-000335	SCREW-TAPTITE;RH,+2S,M3,L8,ZPC(YEL),SWR	S.N.A
...4		1201-001741	IC-AUDIO AMP;TDA8944J,DBS,17P;937MIL,DUA	
...4		0205-000129	GREASE-SILICON;SC102,JAPAN	S.N.A
...3	JS701	3722-001138	JACK-PIN;6P;3.4mm,SN,BLK,#16-22	
...3	Q401	0502-001160	TR-POWER;2SD2499,NPN,50000mW,TO-3P;BK,8-	
...3	T444S	AA26-00098A	TRANS FBT;FSA38032M,-;3.53mH,-,-,-,125V,	
...3		AA95-01763B	ASSY SUB-PCB LINE STEREO;14S4,KS1A LINE S	S.N.A
...4	CN702	AA39-20005A	LEAD CONNECTOR ASSY;3P;YBNH025-03,67096	
...4	CN705	3711-002708	CONNECTOR-HEADER;NOWALL,10P;1R,2.5mm,ANG	
...4	CN706	3711-002706	CONNECTOR-HEADER;NOWALL,9P;1R,2.5mm,ANGL	
...4	CN707	AA39-00276A	LEAD CONNECTOR ASSY;UL1185#26,UL/CSA,6P	
...4	ICS01	1204-001639	IC-SOUND PROCESSOR;BSP3505D-B3,DIP;52P-	
...4	XS01	2801-003903	CRYSTAL-UNIT;18.432MHz,25ppm,28-AAM,12pF	
...4		AA97-05524A	ASSY AUTO-SUB;14S4,39,KS1A,LINESTEREO	S.N.A
...5	CS01	2201-000180	C-CERAMIC,DISC;10nF,10%,50V,Y5V,TP,7x3,5	
...5	CS03	2401-002594	C-AL;220uF,20%,16V,GP,TP8x11.5,5	
...5	CS06	2401-001026	C-AL;3.3uF,20%,50V,GP,TP5x11,5	
...5	CS07	2201-000982	C-CERAMIC,DISC;10nF,+80-20%,50V,Y5V,TP,4	
...5	CS09	2301-000111	C-FILM,PEF;1.8nF,5%,50V,TP,6.5x3.0x5.5mm	
...5	CS11	2401-000486	C-AL;10uF,20%,50V,GP,TP6.3x7mm,5	
...5	CS12	2401-000486	C-AL;10uF,20%,50V,GP,TP6.3x7mm,5	

Level	Loc. No.	Code No.	Description ; Specification	Remark
ASSY CPT				
1	*	AA91-03011A	ASSY CPT;CZ21S4TX/BOB	S.N.A
...2		AA91-02170B	ASSY CPT;A51KQJ,63X(H),21,+380MG,BARE	S.N.A
...3		AA63-60028A	SPACER-DY;-;NEOPRENE,-,-,-,BLK,-,-,V0 W1	S.N.A
...3		AA27-50005K	DEFLECTION-YOKE;-;CDY-S2192M,ST-3,A51KQJ	
...3		AA27-00002A	MAGNET-CONVERGENCE;-;JH291-SC-OB,29.1MM	
...3		AA03-10024T	CRT-COLOR;A51KQJ,63X(H),+380mG,2.28mH,22.	
...2		AA98-70014C	ASSY-TBC,WIRE(P);-;21,NTSC,1P,TVI	S.N.A
...2		AA27-00143A	COIL DEGAUSSING;-;35T,90HM,21INCH,220V,20	

ASSY ACCESSORY

Level	Loc. No.	Code No.	Description ; Specification	Remark
1	*	AA92-03809W	ASSY ACCESSORY;CZ21S4TX/BOB	S.N.A
...2		AA59-00104N	REMOCON;-;TM59,SIM806E,29,L/GRAY,TTX/MONO	
...2		AA68-01614A	MANUAL USERS;-;BUL,W/P100G,1COLOR,B5,KS1A	S.N.A

Level	Loc. No.	Code No.	Description ; Specification	Remark
△4	CY801S	2201-000446 C-CERAMIC,DISC;3.3nF,20%,400V,Y5U,TP,15x	
△4	FP801S	3601-000281 FUSE-CARTRIDGE;250V,4A,TIME-LAG,GLASS,5.	
....4	IC101	1204-001583 IC-IF CIRCUIT;U4468B,DIP,16P,-,PLASTIC,5.		
....4	IC501	AA96-50311A ASSY-H/S;-;VIDEO,AA62-30175D,TDA6107Q,-	S.N.A	
....5		1201-001159 IC-VIDEO AMP;6107,ZSIP,9P,-,SINGLE,-,PLA		
....5		6003-000334 SCREW-TAPTITE,RH,+2S,M3,L6,ZPC(YEL),SWR	S.N.A	
....5		AA62-30175D HEAT-SINK,PS;-;SECC,T1.0,-,33X15X30 FT-2	S.N.A	
△4	IC801S	AA96-00242A ASSY H/S;-;AA62-30186B,KA500765R,-	S.N.A
....5		0205-000129 GREASE-SILICON;SC102,JAPAN	S.N.A	
....5		1203-001932 IC-PWM CONTROLLER;500765,T0-220F,5P,185M		
....5		6003-000333 SCREW-TAPTITE,RH,+2S,M3,L10,ZPC(YEL),SW	S.N.A	
....5		AA62-30186B HEAT SINK-ES;-;SILVER,171J + COVER-H	S.N.A	
△4	IC802	AA96-00245A ASSY H/S;-;AA62-00055A,KA7632.-	S.N.A
....5		1203-001939 IC-POSIFIXED REG.;7632,SIP,10P,-,PLASTI		
....5		6003-000334 SCREW-TAPTITE,RH,+2S,M3,L6,ZPC(YEL),SWR	S.N.A	
....5		AA62-00055A HEAT SINK-PS;-;T1.0,-,35*15*25,D1,-,-	S.N.A	
....4	IC902	1103-001200 IC-EEPROM;M24C08-WB6N,1024x8Bit,DIP,8P,3		
....4	LD901	AA96-00555A ASSY LED GUIDE;-;JEX-LD-030,GREEN	S.N.A	
△4	LR401S	AA27-00053A COIL-LINEARILITY;-;193uH,DR10X10 C:4.35,7	
△4	LX801S	AA29-30001D FILTER-LINE NOISE;SQ1913,-,6.0MH,0.8A,-	
△4	NT802S	1404-001045 THERMISTOR-NTC;4.7ohm,15%,2900K,35.0mW,T	
....4	P803S	1404-001156 THERMISTOR-PTC;90HM,+30%/-20%,220VRMS,27		
△4	PC801S	0604-001032 PHOTO-COUPLER;TR,170-260%,300mW,DIP,4,ST	
....4	RM901	AA32-00009A MODULE REMOCON;FRP-3521H3,3BKHZ,940NM,ME		
△4	SF101S	2904-001143 FILTER-SAW AV;38.9MHz,SIP5K,ST,18dB,B/G,	
△4	SF102S	2904-001224 FILTER-SAW AV;38.9MHz,SIP5K,ST,16.3dB,B/	
△4	SW801S	3403-001107 SWITCH-PUSH;250V,5A,DPST,-,KDC-A04	
△4	T401	AA26-50001B TRANS-HORIZ.DRIVE;-;7.1mH,-,102uH,	
....4	T801S	AA26-00043A TRANS SWITCHING;-;AC90-260V,125/12.5		
△4	TU01S	AA40-00070A TUNER;TEDE9-203A,PAL,181CH,38.9MHz,75OHM	
△4	V999S	3704-001105 SOCKET-CRT;11P,20PI,26.5PI,NL-	
....4		AA97-04655A ASSY AUTO-MAIN;CS21D8SX/UMG,KS1A,SAUDI	S.N.A	
....5	C101	2401-001101 C-AL;330uF,20%,16V,GP,TP,8x11.5,5		
....5	C102	2202-000279 C-CERAMIC,MLC-AXIAL;47pF,5%,50V,SL,TP,3		
....5	C103	2305-000665 C-FILM,MPEF;100nF,5%,63V,TP,7.5x4.0x5.0m		
....5	C104	2202-000796 C-CERAMIC,MLC-AXIAL;1nF,10%,50V,Y5P,TP,3		
....5	C105	2202-000127 C-CERAMIC,MLC-AXIAL;10nF,+80-20%,25V,Y5V		
....5	C106	2202-000127 C-CERAMIC,MLC-AXIAL;10nF,+80-20%,25V,Y5V		
....5	C107	2202-000796 C-CERAMIC,MLC-AXIAL;1nF,10%,50V,Y5P,TP,3		
....5	C108	2202-000127 C-CERAMIC,MLC-AXIAL;10nF,+80-20%,25V,Y5V		
....5	C109	2301-000224 C-FILM,PEF;22nF,5%,50V,TP,7.4x3.9x13mm,5		
....5	C110	2401-000914 C-AL;22uF,20%,16V,GP,TP,5x11.5		
....5	C111	2202-000127 C-CERAMIC,MLC-AXIAL;10nF,+80-20%,25V,Y5V		
....5	C113	2401-000914 C-AL;22uF,20%,16V,GP,TP,5x11.5		
....5	C115	2202-000632 C-CERAMIC,MLC-AXIAL;100nF,20%,50V,Z5U,TP		
....5	C117	2202-000127 C-CERAMIC,MLC-AXIAL;10nF,+80-20%,25V,Y5V		
....5	C118	2301-000383 C-FILM,PEF;10nF,5%,50V,TP,6x7x3.2mm,5mm		
....5	C119	2401-000027 C-AL;4.7uF,20%,50V,GP,TP,5x11.5		
....5	C120	2401-000027 C-AL;4.7uF,20%,50V,GP,TP,5x11.5		
....5	C121	2305-000412 C-FILM,MPEF;470nF,5%,63V,TP,-,5mm		
....5	C203	2401-001176 C-AL;33uF,20%,25V,GP,TP,5x11.5		
....5	C207	2305-000412 C-FILM,MPEF;470nF,5%,63V,TP,-,5mm		
....5	C208	2305-000665 C-FILM,MPEF;100nF,5%,63V,TP,7.5x4.0x5.0m		
....5	C209	2401-001840 C-AL;100uF,20%,16V,GP,TP,6.3x11.5		
....5	C210	2305-000665 C-FILM,MPEF;100nF,5%,63V,TP,7.5x4.0x5.0m		
....5	C211	2202-000632 C-CERAMIC,MLC-AXIAL;100nF,20%,50V,Z5U,TP		
....5	C213	2401-001840 C-AL;100uF,20%,16V,GP,TP,6.3x11.5		
....5	C214	2401-001840 C-AL;100uF,20%,16V,GP,TP,6.3x11.5		
....5	C215	2305-000289 C-FILM,MPEF;220nF,5%,63V,TP,-,5mm		
....5	C216	2305-000289 C-FILM,MPEF;220nF,5%,63V,TP,-,5mm		
....5	C217	2301-000342 C-FILM,PEF;2.2nF,5%,50V,TP,7.4x3.9x13mm,		
....5	C218	2305-000665 C-FILM,MPEF;100nF,5%,63V,TP,7.5x4.0x5.0m		
....5	C219	2401-000603 C-AL;1uF,20%,50V,GP,TP,5x11.5		
....5	C220	2401-002235 C-AL;10uF,20%,16V,GP,TP,5x11mm,5mm		
....5	C221	2401-000660 C-AL;2.2uF,20%,50V,GP,TP,5x11.5		
....5	C222	2401-000758 C-AL;220nF,20%,50V,GP,TP,5x11.5		
....5	C223	2202-000796 C-CERAMIC,MLC-AXIAL;1nF,10%,50V,Y5P,TP,3		
....5	C224	2202-000796 C-CERAMIC,MLC-AXIAL;1nF,10%,50V,Y5P,TP,3		
....5	C225	2309-000138 C-FILM,PE-PPE;100nF,5%,50V,TP,20x16x8.5,		
....5	C229	2401-001840 C-AL;100uF,20%,16V,GP,TP,6.3x11.5		
....5	C230	2305-000665 C-FILM,MPEF;100nF,5%,63V,TP,7.5x4.0x5.0m		
....5	C233	2305-000289 C-FILM,MPEF;220nF,5%,63V,TP,-,5mm		
....5	C234	2301-000342 C-FILM,PEF;2.2nF,5%,50V,TP,7.4x3.9x13mm,		
....5	C248	2301-000445 C-FILM,PEF;4.7nF,5%,50V,TP,5.5x7x3mm,5mm		
....5	C301	2305-000285 C-FILM,MPEF;220nF,5%,100V,TP,10.5x5.5x15		
....5	C302	2201-000259 C-CERAMIC,DISC;0.18nF,10%,500V,Y5P,TP,5.		
....5	C303	2201-000556 C-CERAMIC,DISC;0.47nF,10%,500V,Y5P,TP,5.		

Level	Loc. No.	Code No.	Description ; Specification	Remark
....5	C304	2401-002288 C-AL;470uF,20%,25V,WT,TP,10x20,5		
....5	C305	2201-000556 C-CERAMIC,DISC;0.47nF,10%,500V,Y5P,TP,5.		
....5	C306	2401-002288 C-AL;470uF,20%,25V,WT,TP,10x20,5		
....5	C307	2401-000360 C-AL;100uF,20%,50V,GP,TP,8x11.5,5		
....5	C308	2401-000360 C-AL;100uF,20%,50V,GP,TP,8x11.5,5		
....5	C309	2301-000254 C-FILM,PEF;39nF,5%,50V,TP,7.5x3.5x6.5mm,		
....5	C310	2401-000223 C-AL;100nF,20%,50V,LL,TP,5x11mm,5mm		
....5	C312	2305-000149 C-FILM,MPEF;100nF,5%,100V,TP,12x12.5x6.5		
....5	C403	2401-000560 C-AL;1uF,20%,160V,GP,TP,6.3x11.5		
....5	C406	2401-002619 C-AL;47uF,20%,25V,GP,TP,5x11.5		
....5	C407	2301-000383 C-FILM,PEF;10nF,5%,50V,TP,6x7x3.2mm,5mm		
....5	C408	2201-000599 C-CERAMIC,DISC;0.56nF,10%,500V,Y5P,TP,5.		
....5	C420	2301-001065 C-FILM,MPEF;47nF,5%,630V,TP,19x15.5x7.7.		
....5	C502	2301-000213 C-FILM,PEF;220nF,5%,250V,TP,21.5x11.7,5		
....5	C503	2201-000723 C-CERAMIC,DISC;4.7nF,20%,3KV,Y5U,TP,16x5		
....5	C504	2401-001232 C-AL;4.7uF,20%,250V,GP,TP,10x12.5,5		
....5	C505	2202-000825 C-CERAMIC,MLC-AXIAL;680pF,10%,50V,Y5P,TP		
....5	C506	2401-000430 C-AL;10uF,20%,250V,GP,TP,10x16mm,5m		
....5	C601	2401-001998 C-AL;1000uF,20%,25V,GP,TP,10x20,5mm		
....5	C603	2305-000289 C-FILM,MPEF;220nF,5%,63V,TP,-,5mm		
....5	C604	2401-000660 C-AL;2.2uF,20%,50V,GP,TP,5x11.5		
....5	C605	2401-000660 C-AL;2.2uF,20%,50V,GP,TP,5x11.5		
....5	C606	2301-000289 C-FILM,PEF;5.6nF,5%,50V,TP,7x6x3,5		
....5	C607	2305-000289 C-FILM,MPEF;220nF,5%,63V,TP,-,5mm		
....5	C610	2301-000289 C-FILM,PEF;5.6nF,5%,50V,TP,7x6x3,5		
....5	C611	2305-000289 C-FILM,MPEF;220nF,5%,63V,TP,-,5mm		
....5	C612	2401-000480 C-AL;10uF,20%,50V,GP,TP,5x11.5		
....5	C613	2305-000289 C-FILM,MPEF;220nF,5%,63V,TP,-,5mm		
....5	C618	2305-000665 C-FILM,MPEF;100nF,5%,63V,TP,7.5x4.0x5.0m		
....5	C619	2305-000665 C-FILM,MPEF;100nF,5%,63V,TP,7.5x4.0x5.0m		
....5	C701	2202-000121 C-CERAMIC,MLC-AXIAL;100pF,10%,50V,Y5P,TP		
....5	C702	2202-000210 C-CERAMIC,MLC-AXIAL;270pF,10%,50V,Y5P,TP		
....5	C703	2202-000121 C-CERAMIC,MLC-AXIAL;100pF,10%,50V,Y5P,TP		
....5	C704	2202-000121 C-CERAMIC,MLC-AXIAL;100pF,10%,50V,Y5P,TP		
....5	C707	2301-000445 C-FILM,PEF;4.7nF,5%,50V,TP,5.5x7x3mm,5mm		
....5	C802	2401-001192 C-AL;33uF,20%,50V,GP,TP,6.3x11.5		
....5	C803	2305-000665 C-FILM,MPEF;100nF,5%,63V,TP,7.5x4.0x5.0m		
....5	C804	2301-000224 C-FILM,PEF;22nF,5%,50V,TP,7.4x3.9x13mm,5		
....5	C805	2301-000235 C-FILM,PEF;3.9nF,5%,50V,TP,6.5x3.0x5.5mm		
....5	C806	2301-001435 C-FILM,PPF;1.5nF,5%,1.2kV,TP,15x8x12.5mm		
....5	C810	2301-000192 C-FILM,PEF;1nF,5%,50V,TP,5.3x10mm,5mm		
....5	C811	2201-000991 C-CERAMIC,DISC;0.56nF,10%,2kV,Y5P,TP,7.5		
....5	C812	2401-000262 C-AL;100uF,20%,160V,HR,TP,16x25,7,5		
....5	C813	2401-002290 C-AL;47uF,20%,160V,GP,TP,13x20,5		
....5	C814	2201-000991 C-CERAMIC,DISC;0.56nF,10%,2kV,Y5P,TP,7.5		
....5	C816	2201-000375 C-CERAMIC,DISC;0.22nF,5%,50V,RR,TP,12.5x		
....5	C817	2401-000302 C-AL;100uF,20%,25V,GP,TP,6.3x11.5		
....5	C818	2401-003028 C-AL;100uF,20%,25V,WT,TP,6.3x11.5		
....5	C819	2305-000665 C-FILM,MPEF;100nF,5%,63V,TP,7.5x4.0x5.0m		
....5	C820	2401-000480 C-AL;10uF,20%,50V,GP,TP,5x11.5		
....5	C821	2401-003028 C-AL;100uF,20%,25V,WT,TP,6.3x11.5		
....5	C822	2401-000711 C-AL;2200uF,20%,25V,GP,TP,16x25,7,5		
....5	C823	C-AL;100uF,20%,25V,GP,TP,6.3x11.5		
....5	C825	2401-003028 C-AL;100uF,20%,25V,WT,TP,6.3x11.5		
....5	C826	2202-000632 C-CERAMIC,MLC-AXIAL;100nF,20%,50V,Z5U,TP		
....5	C827	2401-000927 C-AL;22uF,20%,250V,GP,TP,13x20,5		
....5	C903	2401-001840 C-AL;100uF,20%,16V,GP,TP,6.3x11.5		
....5	C904	2301-000383 C-FILM,PEF;10nF,5%,50V,TP,6x7x3.2mm,5mm		
....5	C906	2202-000796 C-CERAMIC,MLC-AXIAL;1nF,10%,50V,Y5P,TP,3		
....5	C908	2201-000573 C-CERAMIC,DISC;0.047nF,5%,50V,NPO,TP,5x3		
....5	C909	2201-000573 C-CERAMIC,DISC;0.047nF,5%,50V,NPO,TP,5x3		
....5	C910	2401-001840 C-AL;100uF,20%,16V,GP,TP,6.3x11.5		
....5	C911	2202-000632 C-CERAMIC,MLC-AXIAL;100nF,20%,50V,Z5U,TP		
....5	C912	2202-000121 C-CERAMIC,MLC-AXIAL;100pF,10%,50V,Y5P,TP		
....5	C913	2305-000665 C-FILM,MPEF;100nF,5%,63V,TP,7.5x4.0x5.0m		
....5	C915	2401-000302 C-AL;100uF,20%,25V,GP,TP,6.3x11.5		
....5	CN602	3711-002643 CONNECTOR-HEADER;BOX,4P,1R,2.5mm,STRAIGH		
....5	CN707A	3711-002645 CONNECTOR-HEADER;BOX,6P,1R,2.5mm,STRAIGH		
△5	CR404S	2201-000639 C-CERAMIC,DISC;0.68nF,10%,2kV,Y5P,TP,9x5	
△5	CR405S	2305-000382 C-FILM,MPEF;4.7nF,5%,400V,TP,-,5mm	
△5	CR409S	2201-002028 C-CERAMIC,DISC;0.47nF,10%,2kV,Y5P,TP,7.5	
....5	D101	0401-000005 DIODE-SWITCHING;1N4148,100V,200mA,DO-35,		
....5	D103	DIODE-SWITCHING;1N4148,100V,200mA,DO-35,		
....5	D201	DIODE-SWITCHING;1N4148,100V,200mA,DO-35,		
....5	D301	DIODE-RECTIFIER;ERB43-04SV1,400V,1.0A,-,		
....5	D302	DIODE-RECTIFIER;GUF15G-20A,400V,1.5A,DO-		
....5	D303	DIODE-RECTIFIER;1N4004,400V,1A,DO-41,TP		

Level	Loc. No.	Code No.	Description ; Specification	Remark	Level	Loc. No.	Code No.	Description ; Specification	Remark
.....	D304	0402-001105	DIODE-RECTIFIER;ERB43-04SV1,400V,1.0A,-,		EY407	AA60-40011A	EYELET;ID2.0,0D2.8,-,-,BST-	S.N.A
.....	D305	0401-000005	DIODE-SWITCHING;1N4148,100V,200mA,DO-35,		EY408	AA60-40011A	EYELET;ID2.0,0D2.8,-,-,BST-	S.N.A
△	D401	0402-001105	DIODE-RECTIFIER;ERB43-04SV1,400V,1.0A,-,		EY409	AA60-40011A	EYELET;ID2.0,0D2.8,-,-,BST-	S.N.A
.....	D501	0402-000254	DIODE-RECTIFIER;RGP10J,600V,1A,DO-41,TP		EY410	AA60-40011A	EYELET;ID2.0,0D2.8,-,-,BST-	S.N.A
.....	D502	0402-001105	DIODE-RECTIFIER;ERB43-04SV1,400V,1.0A,-,		EY411	AA60-40011A	EYELET;ID2.0,0D2.8,-,-,BST-	S.N.A
.....	D503	0402-001105	DIODE-RECTIFIER;ERB43-04SV1,400V,1.0A,-,		EY412	AA60-40011A	EYELET;ID2.0,0D2.8,-,-,BST-	S.N.A
.....	D504	0402-001105	DIODE-RECTIFIER;ERB43-04SV1,400V,1.0A,-,		EY414	AA60-40011A	EYELET;ID2.0,0D2.8,-,-,BST-	S.N.A
△	D801S	0402-001111	DIODE-RECTIFIER;1N5397GP600V,1.5A,DO-20		EY415	AA60-40011A	EYELET;ID2.0,0D2.8,-,-,BST-	S.N.A
△	D802	0402-001111	DIODE-RECTIFIER;1N5397GP600V,1.5A,DO-20		EY416	AA60-40011A	EYELET;ID2.0,0D2.8,-,-,BST-	S.N.A
△	D802S	0402-001111	DIODE-RECTIFIER;1N5397GP600V,1.5A,DO-20		EY417	AA60-40011A	EYELET;ID2.0,0D2.8,-,-,BST-	S.N.A
△	D803	0402-000254	DIODE-RECTIFIER;RGP10J,600V,1A,DO-41,TP		EY419	AA60-40011A	EYELET;ID2.0,0D2.8,-,-,BST-	S.N.A
△	D803S	0402-001111	DIODE-RECTIFIER;1N5397GP600V,1.5A,DO-20		EY420	AA60-40011A	EYELET;ID2.0,0D2.8,-,-,BST-	S.N.A
△	D804	0401-000005	DIODE-SWITCHING;1N4148,100V,200mA,DO-35,		EY421	AA60-40011A	EYELET;ID2.0,0D2.8,-,-,BST-	S.N.A
△	D804S	0402-001111	DIODE-RECTIFIER;1N5397GP600V,1.5A,DO-20		EY422	AA60-40011A	EYELET;ID2.0,0D2.8,-,-,BST-	S.N.A
△	D805	0402-000540	DIODE-RECTIFIER;RU20A,600V,1.5A,-,TP		EY423	AA60-40011A	EYELET;ID2.0,0D2.8,-,-,BST-	S.N.A
.....	D808	0401-000005	DIODE-SWITCHING;1N4148,100V,200mA,DO-35,		EY501	AA60-40011A	EYELET;ID2.0,0D2.8,-,-,BST-	S.N.A
△	D809	0402-000132	DIODE-RECTIFIER;1N4004,400V,1A,DO-41,TP		EY801	AA60-40011A	EYELET;ID2.0,0D2.8,-,-,BST-	S.N.A
△	D811	0401-000005	DIODE-SWITCHING;1N4148,100V,200mA,DO-35,		EY802	AA60-40011A	EYELET;ID2.0,0D2.8,-,-,BST-	S.N.A
△	D812	0402-001105	DIODE-RECTIFIER;ERB43-04SV1,400V,1.0A,-,		EY803	AA60-40011A	EYELET;ID2.0,0D2.8,-,-,BST-	S.N.A
.....	D901	0401-000005	DIODE-SWITCHING;1N4148,100V,200mA,DO-35,		EY807	AA60-40011A	EYELET;ID2.0,0D2.8,-,-,BST-	S.N.A
.....	DZ101	0403-000700	DIODE-ZENER;TZP33A,33V,31-35V,1W,DO-41,T		EY808	AA60-40011A	EYELET;ID2.0,0D2.8,-,-,BST-	S.N.A
.....	DZ201	0403-000720	DIODE-ZENER;MTZJ9.1B,9.1V,8.57-9.01V,500		EY809	AA60-40011A	EYELET;ID2.0,0D2.8,-,-,BST-	S.N.A
.....	DZ203	0403-001322	DIODE-ZENER;MTZJ8.2B,7.78-8.19V,500mW,DO		EY810	AA60-40011A	EYELET;ID2.0,0D2.8,-,-,BST-	S.N.A
.....	DZ204	0403-000720	DIODE-ZENER;MTZJ9.1B,9.1V,8.57-9.01V,500		EY813	AA60-40011A	EYELET;ID2.0,0D2.8,-,-,BST-	S.N.A
.....	DZ205	0403-000720	DIODE-ZENER;MTZJ9.1B,9.1V,8.57-9.01V,500		EY818	AA60-40011A	EYELET;ID2.0,0D2.8,-,-,BST-	S.N.A
.....	DZ207	0403-000720	DIODE-ZENER;MTZJ9.1B,9.1V,8.57-9.01V,500		EY819	AA60-40011A	EYELET;ID2.0,0D2.8,-,-,BST-	S.N.A
.....	DZ301	0403-001328	DIODE-ZENER;MTZJ22A,20.15-21.20V,500mW,D		EY821	AA60-40011A	EYELET;ID2.0,0D2.8,-,-,BST-	S.N.A
.....	DZ302	0403-001221	DIODE-ZENER;UZ39BSB,35.36-37.19V,500mW,D		EY822	AA60-40011A	EYELET;ID2.0,0D2.8,-,-,BST-	S.N.A
.....	DZ303	0403-000700	DIODE-ZENER;TZP33A,33V,31-35V,1W,DO-41,T		EY823	AA60-40011A	EYELET;ID2.0,0D2.8,-,-,BST-	S.N.A
.....	DZ305	0403-001328	DIODE-ZENER;MTZJ22A,20.15-21.20V,500mW,D		EY824	AA60-40011A	EYELET;ID2.0,0D2.8,-,-,BST-	S.N.A
.....	DZ306	0403-000720	DIODE-ZENER;MTZJ9.1B,9.1V,8.57-9.01V,500		EY825	AA60-40011A	EYELET;ID2.0,0D2.8,-,-,BST-	S.N.A
.....	DZ307	0403-000720	DIODE-ZENER;MTZJ9.1B,9.1V,8.57-9.01V,500		EY827	AA60-40011A	EYELET;ID2.0,0D2.8,-,-,BST-	S.N.A
.....	DZ401	0403-000508	DIODE-ZENER;MTZJ5.6B,5.6V,5.45-5.73V,500		EY828	AA60-40011A	EYELET;ID2.0,0D2.8,-,-,BST-	S.N.A
.....	DZ402	0403-000508	DIODE-ZENER;MTZJ5.6B,5.6V,5.45-5.73V,500		EY829	AA60-40011A	EYELET;ID2.0,0D2.8,-,-,BST-	S.N.A
.....	DZ501	0403-000720	DIODE-ZENER;MTZJ9.1B,9.1V,8.57-9.01V,500		EY830	AA60-40011A	EYELET;ID2.0,0D2.8,-,-,BST-	S.N.A
.....	DZ502	0403-000720	DIODE-ZENER;MTZJ9.1B,9.1V,8.57-9.01V,500		EY833	AA60-40011A	EYELET;ID2.0,0D2.8,-,-,BST-	S.N.A
.....	DZ503	0403-000720	DIODE-ZENER;MTZJ9.1B,9.1V,8.57-9.01V,500		EY850	AA60-40011A	EYELET;ID2.0,0D2.8,-,-,BST-	S.N.A
.....	DZ504	0403-000720	DIODE-ZENER;MTZJ9.1B,9.1V,8.57-9.01V,500		EY851	AA60-40011A	EYELET;ID2.0,0D2.8,-,-,BST-	S.N.A
.....	DZ704	0403-000720	DIODE-ZENER;MTZJ9.1B,9.1V,8.57-9.01V,500		EY852	AA60-40011A	EYELET;ID2.0,0D2.8,-,-,BST-	S.N.A
.....	DZ801	0403-001140	DIODE-ZENER;RD10ESAB-T4,10V,9.19-10.30V,		EY853	AA60-40011A	EYELET;ID2.0,0D2.8,-,-,BST-	S.N.A
.....	DZ802	0403-001318	DIODE-ZENER;MTZJ4.3B,4.17-4.43V,500mW,DO		EY860	AA60-40011A	EYELET;ID2.0,0D2.8,-,-,BST-	S.N.A
.....	DZ803	0403-000699	DIODE-ZENER;TZP27B,27V,27-30.8V,1W,DO-41		EY861	AA60-40011A	EYELET;ID2.0,0D2.8,-,-,BST-	S.N.A
.....	DZ804	0403-000510	DIODE-ZENER;MTZJ6.2B,6.2V,5.96-6.27V,500		F801A	3602-000114	FUSE-HOLDER,-,-,30mohm	
.....	DZ805	0403-001327	DIODE-ZENER;MTZJ18A,16.22-17.06V,500mW,D		△	F801B	3602-000114	FUSE-HOLDER,-,-,30mohm	
.....	DZ806	0403-001317	DIODE-ZENER;MTZJ3.0B,3.01-3.22V,500mW,DO		FD801S	3601-001163	FUSE-AXIAL LEAD,125V,7A,-,EPOXY,2.4X7.1M	S.N.A
.....	DZ807	0403-000508	DIODE-ZENER;MTZJ5.6B,5.6V,5.45-5.73V,500		GT101	AA60-40014A	PIN-GT,ASSY,1P,-,-,AUTO	S.N.A
.....	DZ808	0403-000720	DIODE-ZENER;MTZJ9.1B,9.1V,8.57-9.01V,500		GT301	AA60-40014A	PIN-GT,ASSY,1P,-,-,AUTO	S.N.A
.....	DZ809	0403-000508	DIODE-ZENER;MTZJ5.6B,5.6V,5.45-5.73V,500		GT302	AA60-40014A	PIN-GT,ASSY,1P,-,-,AUTO	S.N.A
.....	DZ810	0403-000508	DIODE-ZENER;MTZJ5.6B,5.6V,5.45-5.73V,500		GT401	AA60-40014A	PIN-GT,ASSY,1P,-,-,AUTO	S.N.A
.....	DZ901	0403-001319	DIODE-ZENER;MTZJ4.7C,4.68-4.93V,500mW,DO		GT402	AA60-40014A	PIN-GT,ASSY,1P,-,-,AUTO	S.N.A
.....	DZ903	0403-000508	DIODE-ZENER;MTZJ5.6B,5.6V,5.45-5.73V,500		GT501	AA60-40014A	PIN-GT,ASSY,1P,-,-,AUTO	S.N.A
.....	DZ904	0403-000508	DIODE-ZENER;MTZJ5.6B,5.6V,5.45-5.73V,500		GT502	AA60-40014A	PIN-GT,ASSY,1P,-,-,AUTO	S.N.A
.....	DZ905	0403-000508	DIODE-ZENER;MTZJ5.6B,5.6V,5.45-5.73V,500		GT801	AA60-40014A	PIN-GT,ASSY,1P,-,-,AUTO	S.N.A
.....	DZ906	0403-001319	DIODE-ZENER;MTZJ4.7C,4.68-4.93V,500mW,DO		GT802	AA60-40014A	PIN-GT,ASSY,1P,-,-,AUTO	S.N.A
.....	DZ907	0403-001319	DIODE-ZENER;MTZJ4.7C,4.68-4.93V,500mW,DO		GT803	AA60-40014A	PIN-GT,ASSY,1P,-,-,AUTO	S.N.A
.....	DZ908	0403-001319	DIODE-ZENER;MTZJ4.7C,4.68-4.93V,500mW,DO		GT804	AA60-40014A	PIN-GT,ASSY,1P,-,-,AUTO	S.N.A
.....	EL301	AA60-40011B	EYELET;ID2.2,0D3.2,-,-,BSP-	S.N.A	GT805	AA60-40014A	PIN-GT,ASSY,1P,-,-,AUTO	S.N.A
.....	EL302	AA60-40011B	EYELET;ID2.2,0D3.2,-,-,BSP-	S.N.A	GT806	AA60-40014A	PIN-GT,ASSY,1P,-,-,AUTO	S.N.A
.....	EL403	AA60-40011B	EYELET;ID2.2,0D3.2,-,-,BSP-	S.N.A	GT807	AA60-40014A	PIN-GT,ASSY,1P,-,-,AUTO	S.N.A
.....	EL404	AA60-40011B	EYELET;ID2.2,0D3.2,-,-,BSP-	S.N.A	HIC01	AA13-20004W	IC-HYBRID,-,PAP103T,SIP,6P,PRE-AMP,TP	
.....	EL407	AA60-40011B	EYELET;ID2.2,0D3.2,-,-,BSP-	S.N.A	△	IC803	1203-001217	IC-POSILADJUST REG.,431,TO-92,3P4.58MIL	
.....	EL408	AA60-40011B	EYELET;ID2.2,0D3.2,-,-,BSP-	S.N.A	J125	2001-000016	R-CARBON(S);10HM,5%,1/2W,AA,TP,2.4X6.4MM	
.....	EL501	AA60-40011B	EYELET;ID2.2,0D3.2,-,-,BSP-	S.N.A	J137	2001-000281	R-CARBON;1000HM,5%,1/8W,AA,TP,1.8X3.2MM	
.....	EL502	AA60-40011B	EYELET;ID2.2,0D3.2,-,-,BSP-	S.N.A	J142	2701-000115	INDUCTOR-AXIAL;10uH,10%,3x7mm	
.....	EL601	AA60-40011B	EYELET;ID2.2,0D3.2,-,-,BSP-	S.N.A	J910	3301-000287	CORE-FERRITE BEAD;AA,3.5x1.0x6.0mm,1500,	
.....	EL602	AA60-40011B	EYELET;ID2.2,0D3.2,-,-,BSP-	S.N.A	L101	2701-000326	INDUCTOR-AXIAL;560nH,10%,2.3x3.4mm	
.....	EL801	AA60-40011B	EYELET;ID2.2,0D3.2,-,-,BSP-	S.N.A	L102	2701-000159	INDUCTOR-AXIAL;22uH,10%,4.2x9.8mm	
.....	EL802	AA60-40011B	EYELET;ID2.2,0D3.2,-,-,BSP-	S.N.A	L103	2701-000114	INDUCTOR-AXIAL;10uH,10%,2.5x3.4mm	
.....	EL804	AA60-40011B	EYELET;ID2.2,0D3.2,-,-,BSP-	S.N.A	L104	2701-000168	INDUCTOR-AXIAL;3.3uH,5%,2.5x3.4mm	
.....	EY101	AA60-40011A	EYELET;ID2.0,0D2.8,-,-,BST-	S.N.A	L201	2701-000159	INDUCTOR-AXIAL;22uH,10%,4.2x9.8mm	
.....	EY401	AA60-40011A	EYELET;ID2.0,0D2.8,-,-,BST-	S.N.A	L202	2701-000114	INDUCTOR-AXIAL;10uH,10%,2.5x3.4mm	
.....	EY402	AA60-40011A	EYELET;ID2.0,0D2.8,-,-,BST-	S.N.A	L203	2701-000127	INDUCTOR-AXIAL;15uH,10%,2.5x3.4mm	
.....	EY403	AA60-40011A	EYELET;ID2.0,0D2.8,-,-,BST-	S.N.A	L204	2701-000184	INDUCTOR-AXIAL;4.7uH,10%,2.5x3.4mm	
.....	EY404	AA60-40011A	EYELET;ID2.0,0D2.8,-,-,BST-	S.N.A	L205	2701-000159	INDUCTOR-AXIAL;22uH,10%,4.2x9.8mm	
.....	EY405	AA60-40011A	EYELET;ID2.0,0D2.8,-,-,BST-	S.N.A	L301	2701-000142	INDUCTOR-AXIAL;1uH,10%,2.5x3.4mm	
.....	EY406	AA60-40011A	EYELET;ID2.0,0D2.8,-,-,BST-	S.N.A	L302	2701-000142	INDUCTOR-AXIAL;1uH,10%,2.5x3.4mm	

Level	Loc. No.	Code No.	Description ; Specification	Remark
△5	L403	2901-000297 FILTER-EMI ON BOARD;-;3A,-,-,3.5x5,TP-	
5	L404	2701-000142 INDUCTOR-AXIAL;1uH,10%,2.5x3.4mm	
5	L405	2701-000159 INDUCTOR-AXIAL;22uH,10%,4.2x9.8mm	
5	L701	2701-000184 INDUCTOR-AXIAL;4.7uH,10%,2.5x3.4mm	
5	L702	2701-000184 INDUCTOR-AXIAL;4.7uH,10%,2.5x3.4mm	
5	L703	2701-000184 INDUCTOR-AXIAL;4.7uH,10%,2.5x3.4mm	
5	L704	2701-000184 INDUCTOR-AXIAL;4.7uH,10%,2.5x3.4mm	
5	L802	3301-000287 CORE-FERRITE BEAD;AA,3.5x1.0x6.0mm,1500,	
5	L803	3301-000287 CORE-FERRITE BEAD;AA,3.5x1.0x6.0mm,1500,	
5	L804	2701-001030 INDUCTOR-AXIAL;43uH,10%,5x14mm	
5	L806	2901-000297 FILTER-EMI ON BOARD;-;3A,-,-,3.5x5,TP-	
5	L807	2701-001030 INDUCTOR-AXIAL;43uH,10%,5x14mm	
5	L808	2901-000297 FILTER-EMI ON BOARD;-;3A,-,-,3.5x5,TP-	
5	L902	2701-000114 INDUCTOR-AXIAL;10uH,10%,2.5x3.4mm	
5	L903	2701-000158 INDUCTOR-AXIAL;22uH,10%,2.5x3.4mm	
5	L904	2701-000114 INDUCTOR-AXIAL;10uH,10%,2.5x3.4mm	
5	PCB	AA41-00131H PCB-MAIN;CS21D8,FR-1,1L,H,1.6T,245X245,K	S.N.A
5	Q101	0501-000389 TR-SMALL SIGNAL;KSC815,NPN,400mW,TO-92,T	
5	Q102	0501-000389 TR-SMALL SIGNAL;KSC815,NPN,400mW,TO-92,T	
5	Q201	0501-000283 TR-SMALL SIGNAL;KSA539,PNP,400mW,TO-92,T	
5	Q202	0501-000389 TR-SMALL SIGNAL;KSC815,NPN,400mW,TO-92,T	
5	Q203	0501-000283 TR-SMALL SIGNAL;KSA539,PNP,400mW,TO-92,T	
5	Q204	0501-000389 TR-SMALL SIGNAL;KSC815,NPN,400mW,TO-92,T	
5	Q205	0501-000389 TR-SMALL SIGNAL;KSC815,NPN,400mW,TO-92,T	
5	Q206	0501-000283 TR-SMALL SIGNAL;KSA539,PNP,400mW,TO-92,T	
5	Q301	0501-000283 TR-SMALL SIGNAL;KSA539,PNP,400mW,TO-92,T	
5	Q402	0501-000369 TR-SMALL SIGNAL;KSC2331-Y,NPN,1000mW,TO-	
5	Q802	0501-000389 TR-SMALL SIGNAL;KSC815,NPN,400mW,TO-92,T	
5	Q803	0502-000242 TR-POWER;KSA614,PNP,25V,TO-220,TP,40-24	
5	Q901	0501-000283 TR-SMALL SIGNAL;KSA539,PNP,400mW,TO-92,T	
5	Q902	0504-000123 TR-DIGITAL;KSR1010,NPN,300mW,10K,TO-92,T	
5	Q903	0501-000389 TR-SMALL SIGNAL;KSC815,NPN,400mW,TO-92,T	
5	Q905	0501-000389 TR-SMALL SIGNAL;KSC815,NPN,400mW,TO-92,T	
5	R103	2001-000008 R-CARBON;15KOHM,5%,1/8W,AA,TP,1.8X3.2MM	
5	R104	2001-000429 R-CARBON;1KOHM,5%,1/8W,AA,TP,1.8X3.2MM	
5	R105	2001-000577 R-CARBON;2KOHM,5%,1/8W,AA,TP,1.8X3.2MM	
5	R106	2001-000290 R-CARBON;10KOHM,5%,1/8W,AA,TP,1.8X3.2MM	
5	R108	2001-000947 R-CARBON;7.5KOHM,5%,1/8W,AA,TP,1.8X3.2MM	
5	R109	2001-000786 R-CARBON;47KOHM,5%,1/8W,AA,TP,1.8X3.2MM	
5	R110	2001-000924 R-CARBON;680OHM,5%,1/8W,AA,TP,1.8X3.2MM	
5	R111	2001-000008 R-CARBON;15KOHM,5%,1/8W,AA,TP,1.8X3.2MM	
5	R112	2001-000577 R-CARBON;2KOHM,5%,1/8W,AA,TP,1.8X3.2MM	
5	R113	2001-000429 R-CARBON;1KOHM,5%,1/8W,AA,TP,1.8X3.2MM	
5	R114	2001-000290 R-CARBON;10KOHM,5%,1/8W,AA,TP,1.8X3.2MM	
5	R117	2001-000924 R-CARBON;680OHM,5%,1/8W,AA,TP,1.8X3.2MM	
5	R202	2001-000689 R-CARBON;390KOHM,5%,1/8W,AA,TP,1.8X3.2MM	
5	R203	2001-000857 R-CARBON;560OHM,5%,1/8W,AA,TP,1.8X3.2MM	
5	R204	2001-000857 R-CARBON;560OHM,5%,1/8W,AA,TP,1.8X3.2MM	
5	R205	2001-000011 R-CARBON;75KOHM,5%,1/8W,AA,TP,1.8X3.2MM	
5	R206	2001-000563 R-CARBON;27KOHM,5%,1/8W,AA,TP,1.8X3.2MM	
5	R207	2001-000005 R-CARBON;390ohm,5%,1/8W,AA,TP,1.8x3.2mm	
5	R208	2001-000591 R-CARBON;3.3KOHM,5%,1/8W,AA,TP,1.8X3.2MM	
5	R209	2001-000793 R-CARBON;47OHM,5%,1/8W,AA,TP,1.8X3.2MM	
5	R210	2001-000857 R-CARBON;560OHM,5%,1/8W,AA,TP,1.8X3.2MM	
5	R211	2001-000281 R-CARBON;100OHM,5%,1/8W,AA,TP,1.8X3.2MM	
5	R212	2001-000405 R-CARBON;180OHM,5%,1/8W,AA,TP,1.8X3.2MM	
5	R213	2001-000938 R-CARBON;680OHM,5%,1/8W,AA,TP,1.8X3.2MM	
5	R214	2001-000325 R-CARBON;120OHM,5%,1/8W,AA,TP,1.8X3.2MM	
5	R215	2001-000281 R-CARBON;100OHM,5%,1/8W,AA,TP,1.8X3.2MM	
5	R218	2001-000008 R-CARBON;15KOHM,5%,1/8W,AA,TP,1.8X3.2MM	
5	R219	2004-001914 R-METAL;39Kohm,2%,1/8W,AA,TP,1.8x3.5mm	
5	R222	2001-000947 R-CARBON;7.5KOHM,5%,1/8W,AA,TP,1.8X3.2MM	
5	R223	2001-000281 R-CARBON;100OHM,5%,1/8W,AA,TP,1.8X3.2MM	
5	R224	2001-000290 R-CARBON;10KOHM,5%,1/8W,AA,TP,1.8X3.2MM	
5	R225	2001-000281 R-CARBON;100OHM,5%,1/8W,AA,TP,1.8X3.2MM	
5	R227	2001-000739 R-CARBON;4.7MOHM,5%,1/8W,AA,TP,1.8X3.2MM	
5	R228	2001-000739 R-CARBON;4.7MOHM,5%,1/8W,AA,TP,1.8X3.2MM	
5	R230	2001-000221 R-CARBON;1.2KOHM,5%,1/8W,AA,TP,1.8X3.2MM	
5	R301	2001-000016 R-CARBON(S);10HM,5%,1/2W,AA,TP,2.4X6.4MM	
5	R302	2004-004366 R-METAL(S);1.3Kohm,1%,1/2W,AA,TP,2.5x6.5	
5	R303	2003-002070 R-METAL OXIDE;1ohm,5%,2W,AF,TP,3.9x10mm	
5	R304	2008-000253 R-FUSIBLE(S);0.47ohm,5%,1W,AF,TP,3.9x10m	
5	R305	2008-000253 R-FUSIBLE(S);0.47ohm,5%,1W,AF,TP,3.9x10m	
5	R306	2004-004366 R-METAL(S);1.3Kohm,1%,1/2W,AA,TP,2.5x6.5	
5	R307	2001-000290 R-CARBON;10KOHM,5%,1/8W,AA,TP,1.8X3.2MM	
5	R308	2001-001093 R-CARBON(S);2.2KOHM,5%,1/2W,AA,TP,2.4X6.	
5	R313	2001-000258 R-CARBON;1.8KOHM,5%,1/8W,AA,TP,1.8X3.2MM	

Level	Loc. No.	Code No.	Description ; Specification	Remark
5	R314	2003-000537 R-METAL OXIDE(S);1Kohm,5%,1W,AF,TP,3.3x9	
5	R315	2003-002009 R-METAL OXIDE(S);390ohm,5%,2W,AF,TP,3.9x	
5	R316	2003-002009 R-METAL OXIDE(S);390ohm,5%,2W,AF,TP,3.9x	
5	R402	2003-002178 R-METAL OXIDE(S);1Kohm,5%,2W,AG,TP,3.9x1	
5	R403	2003-000784 R-METAL OXIDE(S);7.5Kohm,5%,2W,AF,TP,4x1	
5	R405	2001-001116 R-CARBON(S);270HM,5%,1/2W,AA,TP,2.4X6.4M	
5	R407	2003-002209 R-METAL OXIDE(S);47Kohm,5%,2W,AG,TP,3.9X	
5	R408	2001-001037 R-CARBON(S);0.390HM,5%,1/2W,AA,TP,2.4X6.	
5	R409	2001-000022 R-CARBON(S);330HM,5%,1/2W,AA,TP,2.4X6.4M	
5	R411	2001-001114 R-CARBON(S);270OHM,5%,1/2W,AA,TP,2.4X6.4	
5	R413	2003-002130 R-METAL OXIDE(S);15ohm,5%,2W,AF,TP,3.9x1	
5	R414	2001-001078 R-CARBON(S);15KOHM,5%,1/2W,AA,TP,2.4X6.4	
5	R420	2008-001110 R-FUSIBLE(S);68ohm,5%,2W,AG,TP,3.9X12mm	
5	R421	2008-001114 R-FUSIBLE(S);1.5ohm,5%,2W,AG,TP,3.9x12mm	
5	R423	2004-001373 R-METAL(S);100Kohm,1%,1/2W,AA,TP,2.4x6.4	
5	R424	2004-001402 R-METAL(S);6.8Kohm,1%,1/2W,AA,TP,2.4x6.4	
5	R501	2001-000281 R-CARBON;100OHM,5%,1/8W,AA,TP,1.8X3.2MM	
5	R501H	2002-001008 R-COMPOSITION;1.8Kohm,10%,1/2W,AA,TP,3.7	
5	R502	2001-000281 R-CARBON;100OHM,5%,1/8W,AA,TP,1.8X3.2MM	
5	R502H	2002-001008 R-COMPOSITION;1.8Kohm,10%,1/2W,AA,TP,3.7	
5	R503	2002-001008 R-COMPOSITION;1.8Kohm,10%,1/2W,AA,TP,3.7	
5	R504	2001-001062 R-CARBON(S);10MOHM,5%,1/2W,AA,TP,2.4X6.4	
5	R505	2008-001011 R-FUSIBLE(S);0.18ohm,10%,2W,AF,TP,3.9x10	
5	R506	2001-000281 R-CARBON;100OHM,5%,1/8W,AA,TP,1.8X3.2MM	
5	R510	2001-000281 R-CARBON;100OHM,5%,1/8W,AA,TP,1.8X3.2MM	
5	R511	2001-000281 R-CARBON;100OHM,5%,1/8W,AA,TP,1.8X3.2MM	
5	R512	2001-000281 R-CARBON;100OHM,5%,1/8W,AA,TP,1.8X3.2MM	
5	R601	2001-000878 R-CARBON;6.2KOHM,5%,1/8W,AA,TP,1.8X3.2MM	
5	R602	2001-000591 R-CARBON;3.3KOHM,5%,1/8W,AA,TP,1.8X3.2MM	
5	R605	2001-000591 R-CARBON;3.3KOHM,5%,1/8W,AA,TP,1.8X3.2MM	
5	R607	2001-000878 R-CARBON;6.2KOHM,5%,1/8W,AA,TP,1.8X3.2MM	
5	R618	2001-000019 R-CARBON(S);100HM,5%,1/2W,AA,TP,2.4X6.4M	
5	R619	2001-000019 R-CARBON(S);100HM,5%,1/2W,AA,TP,2.4X6.4M	
5	R702	2001-000969 R-CARBON;750HM,5%,1/8W,AA,TP,1.8X3.2MM	
5	R712	2001-000857 R-CARBON;560OHM,5%,1/8W,AA,TP,1.8X3.2MM	
5	R715	2001-000857 R-CARBON;560OHM,5%,1/8W,AA,TP,1.8X3.2MM	
5	R719	2001-000969 R-CARBON;750HM,5%,1/8W,AA,TP,1.8X3.2MM	
5	R720	2001-000969 R-CARBON;750HM,5%,1/8W,AA,TP,1.8X3.2MM	
5	R801	2003-002171 R-METAL OXIDE(S);150ohm,5%,2W,AG,TP,3.9x	
5	R803	2003-000994 R-METAL OXIDE(S);33Kohm,5%,2W,AF,TP,3.9x	
5	R804	2003-000994 R-METAL OXIDE(S);33Kohm,5%,2W,AF,TP,3.9x	
5	R805	2001-001170 R-CARBON(S);6.8OHM,5%,1/2W,AA,TP,2.4X6.4	
5	R808	2001-000109 R-CARBON(S);470OHM,5%,1/2W,AA,TP,2.4X6.4	
5	R809	2001-001150 R-CARBON(S);470KOHM,5%,1/2W,AA,TP,2.4X6.	
5	R810	2001-001150 R-CARBON(S);470KOHM,5%,1/2W,AA,TP,2.4X6.	
5	R814	2003-002228 R-METAL OXIDE(S);0.47ohm,5%,2W,AG,TP,3.9	
5	R815	2003-002228 R-METAL OXIDE(S);0.47ohm,5%,2W,AG,TP,3.9	
5	R817	2004-004089 R-METAL(S);123Kohm,1%,1/2W,AA,TP,2.5x6.5	
5	R818	2004-001399 R-METAL(S);5.1Kohm,1%,1/2W,AA,TP,2.4x6.4	
5	R819	2004-001390 R-METAL(S);1Kohm,2%,1/2W,AA,TP,2.4x6.4mm	
5	R821	2001-001125 R-CARBON(S);300KOHM,5%,1/2W,AA,TP,2.4X6.	
5	R822	2004-001983 R-METAL(S);2.49Kohm,1%,1/2W,AA,TP,2.4x6.	
5	R823	2001-000037 R-CARBON(S);330OHM,5%,1/2W,AA,TP,2.4X6.4	
5	R824	2008-000294 R-FUSIBLE(S);33ohm,5%,2W,AF,TP,3.9x10mm	
5	R825	2008-000266 R-FUSIBLE(S);1ohm,5%,2W,AF,TP,3.9x10mm	
5	R826	2001-000290 R-CARBON;10KOHM,5%,1/8W,AA,TP,1.8X3.2MM	
5	R827	2003-000998 R-METAL OXIDE;300ohm,5%,2W,AF,TP,3.9x10m	
5	R828	2001-000290 R-CARBON;10KOHM,5%,1/8W,AA,TP,1.8X3.2MM	
5	R829	2001-000563 R-CARBON;2.7KOHM,5%,1/8W,AA,TP,1.8X3.2MM	
5	R830	2001-000734 R-CARBON;4.7KOHM,5%,1/8W,AA,TP,1.8X3.2MM	
5	R831	2001-001192 R-CARBON(S);820OHM,5%,1/2W,AA,TP,2.4X6.4	
5	R832	2001-001088 R-CARBON(S);1KOHM,5%,1/2W,AA,TP,2.4X6.4M	
5	R834	2003-001040 R-METAL OXIDE(S);47Kohm,5%,2W,AF,TP,3.9x	
5	R837	2003-002064 R-METAL OXIDE;7.5ohm,5%,2W,AF,TP,10x3.9m	
5	R838	2003-002064 R-METAL OXIDE;7.5ohm,5%,2W,AF,TP,10x3.9m	
5	R839	2003-002064 R-METAL OXIDE;7.5ohm,5%,2W,AF,TP,10x3.9m	
5	R840	2001-001078 R-CARBON(S);15KOHM,5%,1/2W,AA,TP,2.4X6.4	
5	R841	2001-000734 R-CARBON;4.7KOHM,5%,1/8W,AA,TP,1.8X3.2MM	
5	R843	2001-000019 R-CARBON(S);10OHM,5%,1/2W,AA,TP,2.4X6.4M	
5	R850	2001-001170 R-CARBON(S);6.8OHM,5%,1/2W,AA,TP,2.4X6.4	
5	R901	2001-000472 R-CARBON;2.7KOHM,5%,1/8W,AA,TP,1.8X3.2MM	
5	R902	2001-000241 R-CARBON;1.5KOHM,5%,1/8W,AA,TP,1.8X3.2MM	
5	R903	2001-000472 R-CARBON;2.7KOHM,5%,1/8W,AA,TP,1.8X3.2MM	
5	R904	2001-000241 R-CARBON;1.5KOHM,5%,1/8W,AA,TP,1.8X3.2MM	
5	R905	2001-000005 R-CARBON;390ohm,5%,1/8W,AA,TP,1.8x3.2mm	
5	R906	2001-000005 R-CARBON;390ohm,5	

Level	Loc. No.	Code No.	Description ; Specification	Remark
....5	R908	2001-000472	R-CARBON;2.7KOHM,5%,1/8W,AA,TP;1.8X3.2MM	
....5	R909	2001-000281	R-CARBON;1000HM,5%,1/8W,AA,TP;1.8X3.2MM	
....5	R910	2001-000290	R-CARBON;10KOHM,5%,1/8W,AA,TP;1.8X3.2MM	
....5	R911	2001-000281	R-CARBON;1000HM,5%,1/8W,AA,TP;1.8X3.2MM	
....5	R912	2001-000281	R-CARBON;1000HM,5%,1/8W,AA,TP;1.8X3.2MM	
....5	R913	2001-000281	R-CARBON;1000HM,5%,1/8W,AA,TP;1.8X3.2MM	
....5	R914	2001-000281	R-CARBON;1000HM,5%,1/8W,AA,TP;1.8X3.2MM	
....5	R915	2001-000924	R-CARBON;6800HM,5%,1/8W,AA,TP;1.8X3.2MM	
....5	R916	2001-000449	R-CARBON;2.2KOHM,5%,1/8W,AA,TP;1.8X3.2MM	
....5	R917	2001-000449	R-CARBON;2.2KOHM,5%,1/8W,AA,TP;1.8X3.2MM	
....5	R918	2001-000429	R-CARBON;1KOHM,5%,1/8W,AA,TP;1.8X3.2MM	
....5	R919	2001-000290	R-CARBON;10KOHM,5%,1/8W,AA,TP;1.8X3.2MM	
....5	R920	2001-000290	R-CARBON;10KOHM,5%,1/8W,AA,TP;1.8X3.2MM	
....5	R921	2001-000290	R-CARBON;10KOHM,5%,1/8W,AA,TP;1.8X3.2MM	
....5	R922	2001-000290	R-CARBON;10KOHM,5%,1/8W,AA,TP;1.8X3.2MM	
....5	R923	2001-000273	R-CARBON;100KOHM,5%,1/8W,AA,TP;1.8X3.2MM	
....5	R924	2001-000290	R-CARBON;10KOHM,5%,1/8W,AA,TP;1.8X3.2MM	
....5	R925	2001-000734	R-CARBON;4.7KOHM,5%,1/8W,AA,TP;1.8X3.2MM	
....5	R926	2001-000429	R-CARBON;1KOHM,5%,1/8W,AA,TP;1.8X3.2MM	
....5	R927	2001-000793	R-CARBON;470HM,5%,1/8W,AA,TP;1.8X3.2MM	
....5	R928	2001-000290	R-CARBON;10KOHM,5%,1/8W,AA,TP;1.8X3.2MM	
....5	R929	2001-000563	R-CARBON;27KOHM,5%,1/8W,AA,TP;1.8X3.2MM	
....5	R931	2001-000429	R-CARBON;1KOHM,5%,1/8W,AA,TP;1.8X3.2MM	
....5	R932	2001-000325	R-CARBON;1200HM,5%,1/8W,AA,TP;1.8X3.2MM	
....5	R933	2001-000281	R-CARBON;1000HM,5%,1/8W,AA,TP;1.8X3.2MM	
....5	R934	2001-000281	R-CARBON;1000HM,5%,1/8W,AA,TP;1.8X3.2MM	
....5	R938	2001-000281	R-CARBON;1000HM,5%,1/8W,AA,TP;1.8X3.2MM	
△	RX801S	2002-001011	R-COMPOSITION;3.3Mohm,5%,1/2W,AA,TP;3.7x	
△	RY801S	2002-001012	R-COMPOSITION;8.2Mohm,5%,1/2W,AA,TP;3.7x	
....5	SW901	3404-000244	SWITCH-TACT;15V,20mA,90-170gf,7.5x7mm,SP	
....5	SW902	3404-000244	SWITCH-TACT;15V,20mA,90-170gf,7.5x7mm,SP	
....5	SW903	3404-000244	SWITCH-TACT;15V,20mA,90-170gf,7.5x7mm,SP	
....5	SW904	3404-000244	SWITCH-TACT;15V,20mA,90-170gf,7.5x7mm,SP	
....5	SW905	3404-000244	SWITCH-TACT;15V,20mA,90-170gf,7.5x7mm,SP	
△	T101	AA26-00025A	TRANS-IF;7MG,-,-,10pf,-58.35MHz,7.7x7	
△	VX801S	1405-000187	VARIABLE;750V,1250A,12.5x7mm,TP	
....5	X901	2801-003937	CRYSTAL-UNIT;12MHz,25ppm,28-AAM,30pf;30o	
....5	Z201	2903-000129	FILTER-CERAMIC;BR,4.5MHz,-,-,TP,-	
....5	Z202	2903-001240	FILTER-CERAMIC;TR,5.5MHz,-,-,28dB,-,-,TP,-	
....5	Z203	2903-001246	FILTER-CERAMIC;TR,5.5MHz,-,-,TP,multi.	
....3		0202-000187	SOLDER-WIRE FLUX;-RS60S,D1.2,63Sn/37Pb	S.N.A
....3		AA39-20010D	LEAD CONNECTOR-ASSY;1P;YFH800-01,S,400,	
....3		AA65-30009A	CLAMP-FBT;-ABS,VO,-,BLK,-	S.N.A
....3		AA95-01723C	ASSY SUB-A/V SIDE;21D8,KS1APAL,STEREO,AA	S.N.A
....3	CN702	AA39-20461C	LEAD CONNECTOR-ASSY;11P;YBNH250-11,6709	
....3	CN704A	3711-002642	CONNECTOR-HEADER;BOX,3P,1R,2.5mm,STRAIGH	
....3	JE601	3722-000143	JACK-PHONE;1P(VER);3.4PI,AG,BLK,NO	△
....3	JR01	3722-001031	JACK-PIN;3P;3.6mm,#18,AU	
....3		AA97-07207A	ASSY AUTO-A/V SIDE;21D8,KS1A,PAL,AA95-01	S.N.A
....4	CE01	2401-001840	C-AL;100uF,20%,16V,GP;TP6.3x11.5	
....4	CE02	2401-001840	C-AL;100uF,20%,16V,GP;TP6.3x11.5	
....4	CE04	2202-000121	C-CERAMIC,MLC-AXIAL;100pf;10%,50V,Y5P,TP	
....4	CE05	2202-000121	C-CERAMIC,MLC-AXIAL;100pf;10%,50V,Y5P,TP	
....4	CE07	2202-000222	C-CERAMIC,MLC-AXIAL;3.3nf;20%,16V,Y5P,TP	
....4	CE08	2202-000222	C-CERAMIC,MLC-AXIAL;3.3nf;20%,16V,Y5P,TP	
....4	LE01	2701-000158	INDUCTOR-AXIAL;22uH,10%,2.5x3.4mm	
....4	LE02	2701-000158	INDUCTOR-AXIAL;22uH,10%,2.5x3.4mm	
....4	LE04	2701-000114	INDUCTOR-AXIAL;10uH,10%,2.5x3.4mm	
....4	LE05	2701-000114	INDUCTOR-AXIAL;10uH,10%,2.5x3.4mm	
....4	PCB	AA41-00567A	PCB-SIDE AV;CS21D8,FR-1,1L,A,1.6T,245X24	S.N.A
....4	RE01	2001-001153	R-CARBON(S);470HM,5%,1/2W,AA,TP;2.4X6.4MM	
....4	RE02	2001-001153	R-CARBON(S);470HM,5%,1/2W,AA,TP;2.4X6.4MM	
....3		0202-000187	SOLDER-WIRE FLUX;-RS60S,D1.2,63Sn/37Pb	S.N.A
....2		AA96-20109B	ASSY-POWER,CORD;-;CP2/NO(4.0),H/C250,KKP	S.N.A
....3		3811-000401	WIRE-PVC CU;BCWA,300V,ROLL,1/7.0,16mm,#22	S.N.A
....3		AA39-10006X	POWER-CORD;-;KKP419C,KLCE-2F;2.286MT,3P,	
....3		AA61-20284A	HOLDER;P-CORD,PP,-,-,BLK,VO,KE-002	S.N.A

ASSY COVER REAR

1	*	AA90-01997T	ASSY COVER REAR;CS21D8SX/XSG	S.N.A
..2	BACK	AA60-00091A	SPACER-FELT;-FELT,150X10,-,-,BLK,TO.35,	S.N.A
..2		AA64-01422E	CABINET BACK;21D8,HIPS,-,-,-,HB,G4309,-	
..2		AA64-60385B	INLAY-BACK;50,5366,PS,TO.3,-,-,BLK,LINE	S.N.A
..2		AA65-30008A	CLAMP-CORD;-PE,HB,-,BLK,-	S.N.A

ASSY COVER FRONT

1	*	AA90-01835T	ASSY COVER FRONT;CS21D8SX/XSG	S.N.A
..2	AV+CF	6003-001268	SCREW-TAPTITE;TH,+B,M4.0,L12.0,ZPC(YEL)	S.N.A
..2	CB+CF	AA60-10050T	SCREW-TAPPING;-;SWRCH18A,M4,L20,RH,+2S,	S.N.A
..2	CB+RCA	AA60-10050T	SCREW-TAPPING;-;SWRCH18A,M4,L20,RH,+2S,	S.N.A
..2	CRT+CF	AA60-10050R	SCREW-ASSY;-;SWRCH18A,M5,L31.5,HH,+WC,-	S.N.A
..2		AA63-60004K	SPACER-GUM,CRT;-NTR RUBBER,-,-,-,BLK,T2	S.N.A
..2		AA65-30107A	CLAMP-D,COIL;20-22 INCH,NYLON 66,V2,-,NT	S.N.A
..2		AA91-00589L	ASSY CABINET FRONT;21D8 M-EAST KS1A,(SP	
..3	KC+CF	6003-001026	SCREW-TAPTITE;RH,+B,M4,L15,ZPC(BLK),SWR	S.N.A
..3	POWER	AA61-60003J	SPRING-CS;-;SUS304,-,-,OD6,N7,OD6,-,-,-	S.N.A
..3	SPK+CF	6003-001019	SCREW-TAPTITE;RH,+B,M4,L12,ZPC(BLK),SWR	S.N.A
..3	WIN+CF	6003-001026	SCREW-TAPTITE;RH,+B,M4,L15,ZPC(BLK),SWR	S.N.A
..3		AA64-01426B	WINDOW REMOCON;21D8,PC,-,-,-,VOILET,-,-	S.N.A
..3		AA64-01425F	KNOB POWER;21D8,ABS,HB,G3676,SV012P	
..3		AA64-70123B	BADGE-BRAND;-;AL,-,-,L=50,SAMSUNG SILVER	S.N.A
..3		AA65-30105A	CLAMP-WIRE;ALL MODEL,NYLON 66,V2,-,NTR,1	S.N.A
..3		AA96-10146C	ASSY SPEAKER;-;8ohm,5W,3001-000274,350/7	S.N.A
..4		3001-000274	SPEAKER;5W,8ohm,90dB,160Hz	
..4		AA39-200505M	LEAD CONNECTOR-ASSY;4P,YSH025-04,REC,35	
..3		AA64-01423Q	CABINET-FRONT;21D8,HIPS,HB,G4309,SV012P+	S.N.A
..3		AA61-40113A	STOPPER-PCB;501H,HIPS,-,-,HB,NTR,-	S.N.A
..3		AA64-01011B	INDICATOR LED;29D8,ACRYL,-,CLR,-,-,-	
..3		AA64-01012H	KNOB CONTROL;21.29D8,ABS,HB,G3676,SV012P	
..3		AA64-01309H	INLAY AV;PS SHEET;21D8,TO.3,-,-,-,S15A L	S.N.A

ASSY ACCESSORY

1	*	AA92-03225Y	ASSY ACCESSORY;CS21D8SX/XSG	S.N.A
..2		AA68-01696B	MANUAL USERS;ARB,W/P100G,ALL1,B5,KS1A,	S.N.A
..2		AA68-01602B	MANUAL USERS;ENG,W/P100G,ALL1,B5,KS1A,3	S.N.A
..2		AA59-00104M	REMOCON;-;TM59,KS2A,29,L/GRAY,NON-TTX,GRA	
..2		AA26-90001C	TRANS-MATCHING;-;300ohm/75ohm,PAL,40-890	

ASSY CPT

1	*	AA91-02933A	ASSY CPT;CS21D8SX/XSG	S.N.A
..2		AA91-02170B	ASSY CPT;A51KQJ63X(H),21,+380MG,BARE	S.N.A
..3		AA63-60028A	SPACER-DY;-;NEOPRENE,-,-,-,BLK,-,-,VO W1	S.N.A
..3		AA27-50005K	DEFLECTION-YOKE;-;CDY-S2192M,ST-3,A51KQJ	
△		AA27-00002A	MAGNET-CONVERGENCE;-;JH291-SC-0B,29.11MM	
..3		AA03-10024T	CRT-COLOR;A51KQJ63X(H),+380mG,2.28mH,22.	
..2		AA98-70014C	ASSY-TBC,WIRE(P);-;21',NTSC,1P,TVI	S.N.A
..2		AA27-00144A	COIL DEGAUSSING;48T,90HM,21INCH,110/220	

7-9 CS21D8ZX/AWE(CS21D8SX/XSGand CS21D8ZX/AWE Dissimiliar parts)

Level	Loc. No.	Code No.	Description ; Specification	Remark	Level	Loc. No.	Code No.	Description ; Specification	Remark
ASSY CHASSIS									
1	*	AA91-01696C	ASSY CHASSIS;CS21D8ZX/AWE	S.N.A5	C107	2202-000796	C-CERAMIC,MLC-AXIAL;1nF;10%,50V,Y5P,TP3	
..2		AA94-07598P	ASSY PCB MAIN;CS21D8ZX/TRI,KS1A,NIGERIA	5	C108	2202-000127	C-CERAMIC,MLC-AXIAL;10nF,+80-20%,25V,Y5V	
...3	C901	2305-000412	C-FILM,MPEF;470nF,5%,63V,TP,-5mm	5	C109	2301-000224	C-FILM,PEF;22nF,5%,50V,TP7.4x3.9x13mm,5	
...3	CLAMP	AA65-30018A	CLAMP-WIRE;DONG-A,NYLON-66,-,-,DATL-60	S.N.A5	C110	2401-000914	C-AL;22uF,20%,16V,GPTP;5x11,5	
...3	CN501	AA39-20620C	LEAD CONNECTOR-ASSY;9P;YBNH250-09,S,500	5	C111	2202-000127	C-CERAMIC,MLC-AXIAL;10nF,+80-20%,25V,Y5V	
...3	D806	AA96-00243D	ASSY H/S;-;BRIDGE,AA62-00045A,D06U20S,DR	S.N.A5	C113	2401-000914	C-AL;22uF,20%,16V,GPTP;5x11,5	
....4		0205-000129	GREASE-SILICON;SC102,JAPAN	S.N.A5	C114	2201-000611	C-CERAMIC,DISC;0.056nF,5%,50V,NP0,TP7x3	
....4		0402-001374	DIODE-RECTIFIER;FFP06U20S,200V6A,TO-22	S.N.A5	C115	2202-000632	C-CERAMIC,MLC-AXIAL;100nF,20%,50V,Z5U,TP	
....4		6003-000335	SCREW-TAPTITE;RH,+2S,M3,L8,ZPC(YEL),SWR	S.N.A5	C117	2202-000127	C-CERAMIC,MLC-AXIAL;10nF,+80-20%,25V,Y5V	
....4		AA62-00045A	HEAT SINK-PS;-;T1.0,-,-,DREAM,-,-,-,-	S.N.A5	C118	2301-000383	C-FILM,PEF;10nF,5%,50V,TP6x7x3.2mm,5mm	
...3	IC201S	AA09-00222A	IC MICOM;SPM802MAN1-0527,SPM802MAN1-0527	5	C119	2401-000027	C-AL;4.7uF,20%,50V,GPTP;5x11,5	
...3	IC301	AA96-00244A	ASSY H/S;-;AA62-00046A,LA7840,-	S.N.A5	C120	2401-000027	C-AL;4.7uF,20%,50V,GPTP;5x11,5	
....4		0205-000129	GREASE-SILICON;SC102,JAPAN	S.N.A5	C121	2305-000412	C-FILM,MPEF;470nF,5%,63V,TP,-5mm	
....4		1204-001483	IC-VERTICAL PROCESSOR;LA7840,SIP7P708MI	5	C203	2401-001176	C-AL;33uF,20%,25V,GPTP;5x11,5	
....4		6003-000335	SCREW-TAPTITE;RH,+2S,M3,L8,ZPC(YEL),SWR	S.N.A5	C204	2305-000665	C-FILM,MPEF;100nF,5%,63V,TP7.5x4.0x5.0m	
....4		AA62-00046A	HEAT SINK-PS;-;T1.0,-,D1(DREAM) 60X25X	S.N.A5	C205	2305-000665	C-FILM,MPEF;100nF,5%,63V,TP7.5x4.0x5.0m	
...3	IC601	AA96-00244G	ASSY H/S;-;AUDIO,AA62-00046A,TA8944J,BR	S.N.A5	C206	2401-002235	C-AL;10uF,20%,16V,GPTP;5x11mm,5mm	
....4		AA62-00046A	HEAT SINK-PS;-;T1.0,-,D1(DREAM) 60X25X	S.N.A5	C207	2305-000412	C-FILM,MPEF;470nF,5%,63V,TP,-5mm	
....4		AA61-10162B	BRACKET-IC;-;SBHG-1,T1.0,-,-,100	S.N.A5	C208	2305-000665	C-FILM,MPEF;100nF,5%,63V,TP7.5x4.0x5.0m	
....4		6003-000335	SCREW-TAPTITE;RH,+2S,M3,L8,ZPC(YEL),SWR	S.N.A5	C209	2401-001840	C-AL;100uF,20%,16V,GPTP;6.3x11,5	
....4		1201-001741	IC-AUDIO AMP;TA8944J,DBS,17P,937MIL,DUA	5	C210	2305-000665	C-FILM,MPEF;100nF,5%,63V,TP7.5x4.0x5.0m	
....4		0205-000129	GREASE-SILICON;SC102,JAPAN	S.N.A5	C211	2202-000632	C-CERAMIC,MLC-AXIAL;100nF,20%,50V,Z5U,TP	
...3	Q401	0502-001160	TR-POWER;2SD2499,NPN,50000mW,TO-3PB,K8-	5	C212	2401-000647	C-AL;2.2uF,20%,50V,BPT;5x11,5	
...3	T444S	AA26-00098A	TRANS FBT;FSA38032M,-,3.53mH,-,-,-,125V,	5	C213	2401-001840	C-AL;100uF,20%,16V,GPTP;6.3x11,5	
...3		AA97-03289A	ASSY ROBOT-MAIN;CS21D8ZX/TRI,KS1A,NIGERI	S.N.A5	C215	2305-000289	C-FILM,MPEF;220nF,5%,63V,TP,-5mm	
....4	C801	2401-003339	C-AL;220uF,20%,400V,GPST;30x35,10	5	C216	2305-000289	C-FILM,MPEF;220nF,5%,63V,TP,-5mm	
....4	CN701	3711-000628	CONNECTOR-HEADER;-;11P;R,2.5mm,STRAIGHT	5	C217	2301-000342	C-FILM,PEF;2.2nF,5%,50V,TP7.4x3.9x13mm,	
....4	CR402S	2306-000188	C-FILM,MPPF;330nF,5%,400V,TP26x19.5x11,	5	C218	2305-000665	C-FILM,MPEF;100nF,5%,63V,TP7.5x4.0x5.0m	
....4	CR410S	2303-001015	C-FILM,PPF;5.5nF,5%,1.6kV,TP29x9.5x17,2	5	C219	2401-000603	C-AL;1uF,20%,50V,GPTP;5x11,5	
....4	CX801S	2306-000318	C-FILM,MPPF;220nF,20%,250V,TP,-22.5mm	5	C220	2401-002235	C-AL;10uF,20%,16V,GPTP;5x11mm,5mm	
....4	CY801S	2201-000446	C-CERAMIC,DISC;3.3nF,20%,400V,Y5U,TP15x	5	C221	2401-000660	C-AL;2.2uF,20%,50V,GPTP;5x11,5	
....4	FP801S	3601-000281	FUSE-CARTRIDGE;250V,4A,TIME-LAG,GLASS,5.	5	C222	2401-000758	C-AL;220nF,20%,50V,GPTP;5x11,5	
....4	IC101	1204-001583	IC-IF CIRCUIT;U4468B,DIP,16P,-,PLASTIC,5	5	C223	2202-000796	C-CERAMIC,MLC-AXIAL;1nF;10%,50V,Y5P,TP3	
....4	IC501	AA96-50311A	ASSY-H/S;-;VIDEO,AA62-30175D,TA6107Q,-	S.N.A5	C224	2202-000796	C-CERAMIC,MLC-AXIAL;1nF;10%,50V,Y5P,TP3	
....5		1201-001159	IC-VIDEO AMP;6107,ZSIP;9P,-,SINGLE,-,PLA	5	C225	2309-000138	C-FILM,PE-PPF;100nF,5%,50V,TP20x16x8.5,	
....5		6003-000334	SCREW-TAPTITE;RH,+2S,M3,L6,ZPC(YEL),SWR	S.N.A5	C226	2202-000829	C-CERAMIC,MLC-AXIAL;82nF;10%,50V,Y5P,TP	
....5		AA62-30175D	HEAT-SINK,PS;-;SECC,T1.0,-,33X15X30 FT-2	S.N.A5	C227	2301-000445	C-FILM,PEF;4.7nF,5%,50V,TP5.5x7x3mm,5mm	
....4	IC801S	AA96-00242A	ASSY H/S;-;AA62-30186B,KA500765R,-	S.N.A5	C229	2401-001840	C-AL;100uF,20%,16V,GPTP;6.3x11,5	
....5		0205-000129	GREASE-SILICON;SC102,JAPAN	S.N.A5	C230	2305-000665	C-FILM,MPEF;100nF,5%,63V,TP7.5x4.0x5.0m	
....5		1203-001932	IC-PWM CONTROLLER;500765,TO-220F;5P;185M	5	C231	2305-000289	C-FILM,MPEF;220nF,5%,63V,TP,-5mm	
....5		6003-000333	SCREW-TAPTITE;RH,+2S,M3,L10,ZPC(YEL),SW	S.N.A5	C232	2301-000342	C-FILM,PEF;2.2nF,5%,50V,TP7.4x3.9x13mm,	
....5		AA62-30186B	HEAT SINK-ES;-;SILVER,171J + COVER-H	S.N.A5	C234	2301-000445	C-FILM,PEF;4.7nF,5%,50V,TP5.5x7x3mm,5mm	
....4	IC802	AA96-00245A	ASSY H/S;-;AA62-00055A,KA7632,-	S.N.A5	C301	2305-000285	C-FILM,MPEF;220nF,5%,100V,TP10.5X5.5X15	
....5		1203-001939	IC-POSIX FIXED REG.;7632,SIP,10P,-,PLASTI	5	C302	2201-000259	C-CERAMIC,DISC;0.18nF;10%,500V,Y5P,TP5.	
....5		6003-000334	SCREW-TAPTITE;RH,+2S,M3,L6,ZPC(YEL),SWR	S.N.A5	C303	2201-000556	C-CERAMIC,DISC;0.47nF;10%,500V,Y5P,TP5.	
....5		AA62-00055A	HEAT SINK-PS;-;T1.0,-,35*15*25,D1,-,-	S.N.A5	C304	2401-002288	C-AL;470uF,20%,25V,WT,TP10x20,5	
....4	IC902	1103-001200	IC-EEPROM;M24C08-WBN6,1024x8Bit,DIP;8P;3	5	C305	2201-000556	C-CERAMIC,DISC;0.47nF;10%,500V,Y5P,TP5.	
....4	JS701	3722-000183	JACK-SCART;21P;4mm,SN,BLK,NO	5	C306	2401-002288	C-AL;470uF,20%,25V,WT,TP10x20,5	
....4	LD901	AA96-00555A	ASSY LED GUIDE;-;JEX-LD-030,GREEN	S.N.A5	C307	2401-000360	C-AL;100uF,20%,50V,GPTP;8x11,5,5	
....4	LR401S	AA27-00053A	COIL-LINEARITY;-;193uH,DR10X10 C.4.35,7	5	C308	2401-000360	C-AL;100uF,20%,50V,GPTP;8x11,5,5	
....4	LX801S	AA29-30001D	FILTER-LINE NOISE;SQ1913,-,6.0MH,0.8A,-	5	C309	2301-000254	C-FILM,PEF;39nF,5%,50V,TP7.5x3.5x6.5mm,	
....4	NT802S	1404-001045	THERMISTOR-NTC;4.7ohm,15%,2900K,35.0mW,7	5	C310	2401-000223	C-AL;100nF,20%,50V,LL,TP5x11mm,5mm	
....4	P803S	1404-001156	THERMISTOR-PTC;90HM,+30%/-20%,220VRMS,27	5	C312	2305-000149	C-FILM,MPEF;100nF,5%,100V,TP12x12.5x6.5	
....4	PC801S	0604-001032	PHOTO-COUPLER;TR,170-260%,300mW,DIP-4,ST	5	C403	2401-000560	C-AL;1uF,20%,160V,GPTP;6.3x11,5	
....4	RM901	AA32-00009A	MODULE REMOCON;FRP-3521H3,38KHZ,940NM,ME	5	C406	2401-002619	C-AL;47uF,20%,25V,GPTP;5x11,5	
....4	SF101S	2904-001143	FILTER-SAW AV;38.9MHz,SIP5K,ST,18dB,B/G,	5	C407	2301-000383	C-FILM,PEF;10nF,5%,50V,TP6x7x3.2mm,5mm	
....4	SF102S	2904-001224	FILTER-SAW AV;38.9MHz,SIP5K,ST,16.3dB,B/G,	5	C408	2201-000599	C-CERAMIC,DISC;0.56nF;10%,500V,Y5P,TP5.	
....4	SW801S	3403-001107	SWITCH-PUSH;250V,5A,DPST,-,KDC-A04	5	C420	2301-001065	C-FILM,MPPF;47nF,5%,630V,TP19x15.5x7.7	
....4	T401	AA26-50001B	TRANS-HORIZ.DRIVE;-;7.1mH,-,-,102uH,	5	C502	2301-000213	C-FILM,PEF;220nF,5%,250V,TP21.5x11,7,5	
....4	T801S	AA26-00043A	TRANS SWITCHING;-;AC90-260V,125/12.5	5	C503	2201-000723	C-CERAMIC,DISC;4.7nF,20%,3KV,Y5U,TP;16x5	
....4	TU01S	AA40-00076A	TUNER;TECC0949PG35A(S),PAL,181CH,38.9MHZ	5	C504	2401-001232	C-AL;4.7uF,20%,250V,GPTP;10x12.5,5	
....4	V999S	3704-001105	SOCKET-CRT;1P20PI,26.5PI,NI,-	5	C505	2202-000825	C-CERAMIC,MLC-AXIAL;680pF;10%,50V,Y5P,TP	
....4		AA97-04654A	ASSY AUTO-MAIN;CS21D8ZX/TRI,KS1A,NIGERIA	S.N.A5	C506	2401-000430	C-AL;10uF,20%,250V,GPTP;10x16mm,5m	
....5	C101	2401-001101	C-AL;330uF,20%,16V,GPTP;8x11,5,5	5	C601	2401-001998	C-AL;1000uF,20%,25V,GPTP;10x20,5mm	
....5	C102	2202-000279	C-CERAMIC,MLC-AXIAL;47pF;5%,50V,SL,TP3.	5	C603	2305-000289	C-FILM,MPEF;220nF,5%,63V,TP,-5mm	
....5	C103	2305-000665	C-FILM,MPEF;100nF,5%,63V,TP7.5x4.0x5.0m	5	C604	2401-000660	C-AL;2.2uF,20%,50V,GPTP;5x11,5	
....5	C104	2202-000796	C-CERAMIC,MLC-AXIAL;1nF;10%,50V,Y5P,TP3	5	C605	2401-000660	C-AL;2.2uF,20%,50V,GPTP;5x11,5	
....5	C105	2202-000127	C-CERAMIC,MLC-AXIAL;10nF,+80-20%,25V,Y5V	5	C606	2301-000289	C-FILM,PEF;5.6nF,5%,50V,TP7x6x3,5	
....5	C106	2202-000127	C-CERAMIC,MLC-AXIAL;10nF,+80-20%,25V,Y5V	5	C607	2305-000289	C-FILM,MPEF;220nF,5%,63V,TP,-5mm	
....5				5	C610	2301-000289	C-FILM,PEF;5.6nF,5%,50V,TP7x6x3,5	

Electrical Parts List

Level	Loc. No.	Code No.	Description ; Specification	Remark	Level	Loc. No.	Code No.	Description ; Specification	Remark
....5	C611	2305-000289	C-FILM,MPEF;220nF,5%,63V,TP,-5mm	5	DZ301	0403-001328	DIODE-ZENER;MTZJ22A,20.15-21.20V,500mW,D	
....5	C612	2401-000480	C-AL;10uF,20%,50V,GP,TP,5x11,5	5	DZ302	0403-001221	DIODE-ZENER;UZ39BSB,35.36-37.19V,500MW,D	
....5	C613	2305-000289	C-FILM,MPEF;220nF,5%,63V,TP,-5mm	5	DZ303	0403-000700	DIODE-ZENER;TZP33A,33V,31-35V,1W,DO-41,T	
....5	C618	2305-000665	C-FILM,MPEF;100nF,5%,63V,TP,7.5x4.0x5.0m	5	DZ305	0403-001328	DIODE-ZENER;MTZJ22A,20.15-21.20V,500mW,D	
....5	C619	2305-000665	C-FILM,MPEF;100nF,5%,63V,TP,7.5x4.0x5.0m	5	DZ306	0403-000720	DIODE-ZENER;MTZJ9.1B,9.1V,8.57-9.01V,500	
....5	C702	2202-000210	C-CERAMIC,MLC-AXIAL;270pF,10%,50V,Y5P,TP	5	DZ307	0403-000720	DIODE-ZENER;MTZJ9.1B,9.1V,8.57-9.01V,500	
....5	C703	2202-000121	C-CERAMIC,MLC-AXIAL;100pF,10%,50V,Y5P,TP	5	DZ401	0403-000508	DIODE-ZENER;MTZJ5.6B,5.6V,5.45-5.73V,500	
....5	C704	2202-000121	C-CERAMIC,MLC-AXIAL;100pF,10%,50V,Y5P,TP	5	DZ402	0403-000508	DIODE-ZENER;MTZJ5.6B,5.6V,5.45-5.73V,500	
....5	C706	2401-001989	C-AL;4.7uF,20%,50V,BP,TP,5x11,5	5	DZ501	0403-000720	DIODE-ZENER;MTZJ9.1B,9.1V,8.57-9.01V,500	
....5	C707	2301-000204	C-FILM,PEF;2.7nF,5%,50V,TP,7.4x3.9x13mm,	5	DZ502	0403-000720	DIODE-ZENER;MTZJ9.1B,9.1V,8.57-9.01V,500	
....5	C709	2401-000480	C-AL;10uF,20%,50V,GP,TP,5x11,5	5	DZ503	0403-000720	DIODE-ZENER;MTZJ9.1B,9.1V,8.57-9.01V,500	
....5	C802	2401-001192	C-AL;33uF,20%,50V,GP,TP,6.3x11,5	5	DZ504	0403-000720	DIODE-ZENER;MTZJ9.1B,9.1V,8.57-9.01V,500	
....5	C803	2305-000665	C-FILM,MPEF;100nF,5%,63V,TP,7.5x4.0x5.0m	5	DZ701	0403-000720	DIODE-ZENER;MTZJ9.1B,9.1V,8.57-9.01V,500	
....5	C804	2301-000224	C-FILM,PEF;22nF,5%,50V,TP,7.4x3.9x13mm,5	5	DZ702	0403-000720	DIODE-ZENER;MTZJ9.1B,9.1V,8.57-9.01V,500	
....5	C805	2301-000235	C-FILM,PEF;3.9nF,5%,50V,TP,6.5x3.0x5.5mm	5	DZ703	0403-000720	DIODE-ZENER;MTZJ9.1B,9.1V,8.57-9.01V,500	
....5	C806	2301-001435	C-FILM,PPF;1.5nF,5%,1.2kV,TP,15x8x12.5mm	5	DZ704	0403-000720	DIODE-ZENER;MTZJ9.1B,9.1V,8.57-9.01V,500	
....5	C810	2301-000192	C-FILM,PEF;1nF,5%,50V,TP,5.3x10mm,5mm	5	DZ801	0403-001140	DIODE-ZENER;RD10ESAB-T4,10V,9.19-10.30V,	
....5	C811	2201-000991	C-CERAMIC,DISC;0.56nF,10%,2kV,Y5P,TP,7,5	5	DZ802	0403-001318	DIODE-ZENER;MTZJ4.3B,4.17-4.43V,500mW,DO	
....5	C812	2401-000262	C-AL;100uF,20%,160V,HR,TP,16x25,7,5	5	DZ803	0403-000699	DIODE-ZENER;TZP27B,27V,27-30.8V,1W,DO-41	
....5	C813	2401-002290	C-AL;47uF,20%,160V,GP,TP,13x20,5	5	DZ804	0403-000510	DIODE-ZENER;MTZJ6.2B,6.2V,5.96-6.27V,500	
....5	C814	2201-000991	C-CERAMIC,DISC;0.56nF,10%,2kV,Y5P,TP,7,5	5	DZ805	0403-001327	DIODE-ZENER;MTZJ18A,16.22-17.06V,500mW,D	
....5	C816	2201-000375	C-CERAMIC,DISC;0.22nF,5%,50V,RH,TP,12,5x	5	DZ806	0403-001317	DIODE-ZENER;MTZJ3.0B,3.01-3.22V,500mW,DO	
....5	C817	2401-000302	C-AL;100uF,20%,25V,GP,TP,6.3x11,5	5	DZ807	0403-000508	DIODE-ZENER;MTZJ5.6B,5.6V,5.45-5.73V,500	
....5	C818	2401-003028	C-AL;100uF,20%,25V,WT,TP,6.3x11,5	5	DZ808	0403-000720	DIODE-ZENER;MTZJ9.1B,9.1V,8.57-9.01V,500	
....5	C819	2305-000665	C-FILM,MPEF;100nF,5%,63V,TP,7.5x4.0x5.0m	5	DZ810	0403-000508	DIODE-ZENER;MTZJ5.6B,5.6V,5.45-5.73V,500	
....5	C820	2401-000480	C-AL;10uF,20%,50V,GP,TP,5x11,5	5	DZ901	0403-001319	DIODE-ZENER;MTZJ4.7C,4.68-4.93V,500mW,DO	
....5	C821	2401-003028	C-AL;100uF,20%,25V,WT,TP,6.3x11,5	5	DZ903	0403-000508	DIODE-ZENER;MTZJ5.6B,5.6V,5.45-5.73V,500	
....5	C822	2401-000711	C-AL;2200uF,20%,25V,GP,TP,16x25,7,5	5	DZ904	0403-000508	DIODE-ZENER;MTZJ5.6B,5.6V,5.45-5.73V,500	
....5	C823	2401-000302	C-AL;100uF,20%,25V,GP,TP,6.3x11,5	5	DZ905	0403-000508	DIODE-ZENER;MTZJ5.6B,5.6V,5.45-5.73V,500	
....5	C827	2401-000927	C-AL;22uF,20%,250V,GP,TP,13x20,5	5	DZ906	0403-001319	DIODE-ZENER;MTZJ4.7C,4.68-4.93V,500mW,DO	
....5	C903	2401-001840	C-AL;100uF,20%,16V,GP,TP,6.3x11,5	5	DZ907	0403-001319	DIODE-ZENER;MTZJ4.7C,4.68-4.93V,500mW,DO	
....5	C904	2301-000383	C-FILM,PEF;10nF,5%,50V,TP,6x7x3.2mm,5mm	5	DZ908	0403-001319	DIODE-ZENER;MTZJ4.7C,4.68-4.93V,500mW,DO	
....5	C906	2202-000796	C-CERAMIC,MLC-AXIAL;1nF,10%,50V,Y5P,TP,3	5	EL301	AA60-40011B	EYELET;ID2.0,OD3.2,-,BSP,	S.N.A
....5	C908	2201-000573	C-CERAMIC,DISC;0.047nF,5%,50V,NPO,TP,5x3	5	EL302	AA60-40011B	EYELET;ID2.0,OD3.2,-,BSP,	S.N.A
....5	C909	2201-000573	C-CERAMIC,DISC;0.047nF,5%,50V,NPO,TP,5x3	5	EL403	AA60-40011B	EYELET;ID2.0,OD3.2,-,BSP,	S.N.A
....5	C910	2401-001840	C-AL;100uF,20%,16V,GP,TP,6.3x11,5	5	EL404	AA60-40011B	EYELET;ID2.0,OD3.2,-,BSP,	S.N.A
....5	C911	2202-000632	C-CERAMIC,MLC-AXIAL;100nF,20%,50V,Z5U,TP	5	EL407	AA60-40011B	EYELET;ID2.0,OD3.2,-,BSP,	S.N.A
....5	C912	2202-000121	C-CERAMIC,MLC-AXIAL;100pF,10%,50V,Y5P,TP	5	EL408	AA60-40011B	EYELET;ID2.0,OD3.2,-,BSP,	S.N.A
....5	C913	2305-000665	C-FILM,MPEF;100nF,5%,63V,TP,7.5x4.0x5.0m	5	EL501	AA60-40011B	EYELET;ID2.0,OD3.2,-,BSP,	S.N.A
....5	C915	2401-000302	C-AL;100uF,20%,25V,GP,TP,6.3x11,5	5	EL502	AA60-40011B	EYELET;ID2.0,OD3.2,-,BSP,	S.N.A
....5	CN602	3711-002643	CONNECTOR-HEADER;BOX,4P,1R,2.5mm,STRAIGH	5	EL601	AA60-40011B	EYELET;ID2.0,OD3.2,-,BSP,	S.N.A
....5	CR404S	2201-000639	C-CERAMIC,DISC;0.68nF,10%,2kV,Y5P,TP,9x5	5	EL602	AA60-40011B	EYELET;ID2.0,OD3.2,-,BSP,	S.N.A
....5	CR405S	2305-000382	C-FILM,MPEF;4.7nF,5%,400V,TP,-5mm	5	EL801	AA60-40011B	EYELET;ID2.0,OD3.2,-,BSP,	S.N.A
....5	CR409S	2201-002028	C-CERAMIC,DISC;0.47nF,10%,2kV,Y5P,TP,7,5	5	EL802	AA60-40011B	EYELET;ID2.0,OD3.2,-,BSP,	S.N.A
....5	D101	0401-000005	DIODE-SWITCHING;1N4148,100V,200mA,DO-35,	5	EL804	AA60-40011B	EYELET;ID2.0,OD3.2,-,BSP,	S.N.A
....5	D103	0401-000005	DIODE-SWITCHING;1N4148,100V,200mA,DO-35,	5	EY101	AA60-40011A	EYELET;ID2.0,OD2.8,-,BST,	S.N.A
....5	D201	0401-000005	DIODE-SWITCHING;1N4148,100V,200mA,DO-35,	5	EY401	AA60-40011A	EYELET;ID2.0,OD2.8,-,BST,	S.N.A
....5	D301	0402-001105	DIODE-RECTIFIER;ERB43-04SV1,400V,1.0A,-,	5	EY402	AA60-40011A	EYELET;ID2.0,OD2.8,-,BST,	S.N.A
....5	D302	0402-001352	DIODE-RECTIFIER;GUF15G-20A,400V,1.5A,DO-	5	EY403	AA60-40011A	EYELET;ID2.0,OD2.8,-,BST,	S.N.A
....5	D303	0402-000132	DIODE-RECTIFIER;1N4004,400V,1A,DO-41,TP	5	EY404	AA60-40011A	EYELET;ID2.0,OD2.8,-,BST,	S.N.A
....5	D304	0402-001105	DIODE-RECTIFIER;ERB43-04SV1,400V,1.0A,-,	5	EY405	AA60-40011A	EYELET;ID2.0,OD2.8,-,BST,	S.N.A
....5	D305	0401-000005	DIODE-SWITCHING;1N4148,100V,200mA,DO-35,	5	EY406	AA60-40011A	EYELET;ID2.0,OD2.8,-,BST,	S.N.A
....5	D401	0402-001105	DIODE-RECTIFIER;ERB43-04SV1,400V,1.0A,-,	5	EY407	AA60-40011A	EYELET;ID2.0,OD2.8,-,BST,	S.N.A
....5	D501	0402-000254	DIODE-RECTIFIER;RGP10J,600V,1A,DO-41,TP	5	EY408	AA60-40011A	EYELET;ID2.0,OD2.8,-,BST,	S.N.A
....5	D502	0402-001105	DIODE-RECTIFIER;ERB43-04SV1,400V,1.0A,-,	5	EY409	AA60-40011A	EYELET;ID2.0,OD2.8,-,BST,	S.N.A
....5	D503	0402-001105	DIODE-RECTIFIER;ERB43-04SV1,400V,1.0A,-,	5	EY410	AA60-40011A	EYELET;ID2.0,OD2.8,-,BST,	S.N.A
....5	D504	0402-001105	DIODE-RECTIFIER;ERB43-04SV1,400V,1.0A,-,	5	EY411	AA60-40011A	EYELET;ID2.0,OD2.8,-,BST,	S.N.A
....5	D801S	0402-001111	DIODE-RECTIFIER;1N5397GP600V,1.5A,DO-20	5	EY412	AA60-40011A	EYELET;ID2.0,OD2.8,-,BST,	S.N.A
....5	D802	0402-001111	DIODE-RECTIFIER;1N5397GP600V,1.5A,DO-20	5	EY414	AA60-40011A	EYELET;ID2.0,OD2.8,-,BST,	S.N.A
....5	D802S	0402-001111	DIODE-RECTIFIER;1N5397GP600V,1.5A,DO-20	5	EY415	AA60-40011A	EYELET;ID2.0,OD2.8,-,BST,	S.N.A
....5	D803	0402-000254	DIODE-RECTIFIER;RGP10J,600V,1A,DO-41,TP	5	EY416	AA60-40011A	EYELET;ID2.0,OD2.8,-,BST,	S.N.A
....5	D803S	0402-001111	DIODE-RECTIFIER;1N5397GP600V,1.5A,DO-20	5	EY417	AA60-40011A	EYELET;ID2.0,OD2.8,-,BST,	S.N.A
....5	D804	0401-000005	DIODE-SWITCHING;1N4148,100V,200mA,DO-35,	5	EY419	AA60-40011A	EYELET;ID2.0,OD2.8,-,BST,	S.N.A
....5	D804S	0402-001111	DIODE-RECTIFIER;1N5397GP600V,1.5A,DO-20	5	EY420	AA60-40011A	EYELET;ID2.0,OD2.8,-,BST,	S.N.A
....5	D805	0402-000540	DIODE-RECTIFIER;RU20A,600V,1.5A,-,TP	5	EY421	AA60-40011A	EYELET;ID2.0,OD2.8,-,BST,	S.N.A
....5	D808	0401-000005	DIODE-SWITCHING;1N4148,100V,200mA,DO-35,	5	EY422	AA60-40011A	EYELET;ID2.0,OD2.8,-,BST,	S.N.A
....5	D809	0402-000132	DIODE-RECTIFIER;1N4004,400V,1A,DO-41,TP	5	EY423	AA60-40011A	EYELET;ID2.0,OD2.8,-,BST,	S.N.A
....5	D811	0401-000005	DIODE-SWITCHING;1N4148,100V,200mA,DO-35,	5	EY501	AA60-40011A	EYELET;ID2.0,OD2.8,-,BST,	S.N.A
....5	D812	0402-001105	DIODE-RECTIFIER;ERB43-04SV1,400V,1.0A,-,	5	EY801	AA60-40011A	EYELET;ID2.0,OD2.8,-,BST,	S.N.A
....5	D901	0401-000005	DIODE-SWITCHING;1N4148,100V,200mA,DO-35,	5	EY802	AA60-40011A	EYELET;ID2.0,OD2.8,-,BST,	S.N.A
....5	DZ101	0403-000700	DIODE-ZENER;TZP33A,33V,31-35V,1W,DO-41,T	5	EY803	AA60-40011A	EYELET;ID2.0,OD2.8,-,BST,	S.N.A
....5	DZ201	0403-000720	DIODE-ZENER;MTZJ9.1B,9.1V,8.57-9.01V,500	5	EY807	AA60-40011A	EYELET;ID2.0,OD2.8,-,BST,	S.N.A
....5	DZ203	0403-001322	DIODE-ZENER;MTZJ8.2B,7.78-8.19V,500mW,DO	5	EY808	AA60-40011A	EYELET;ID2.0,OD2.8,-,BST,	S.N.A
....5	DZ204	0403-000720	DIODE-ZENER;MTZJ9.1B,9.1V,8.57-9.01V,500	5	EY809	AA60-40011A	EYELET;ID2.0,OD2.8,-,BST,	S.N.A
....5	DZ205	0403-000720	DIODE-ZENER;MTZJ9.1B,9.1V,8.57-9.01V,500	5	EY810	AA60-40011A	EYELET;ID2.0,OD2.8,-,BST,	S.N.A
....5	DZ207	0403-000720	DIODE-ZENER;MTZJ9.1B,9.1V,8.57-9.01V,500	5	EY813	AA60-40011A	EYELET;ID2.0,OD2.8,-,BST,	S.N.A

Level	Loc. No.	Code No.	Description ; Specification	Remark	Level	Loc. No.	Code No.	Description ; Specification	Remark
....5	EY818	AA60-40011A	EYELET;ID2.0,OD2.8,-,-,BST,-	S.N.A5	Q402	0501-000369	TR-SMALL SIGNAL;KSC2331-V,NPN,1000mW,TO-	
....5	EY819	AA60-40011A	EYELET;ID2.0,OD2.8,-,-,BST,-	S.N.A5	Q701	0501-000389	TR-SMALL SIGNAL;KSC815,NPN,400mW,TO-92,T	
....5	EY821	AA60-40011A	EYELET;ID2.0,OD2.8,-,-,BST,-	S.N.A5	Q802	0501-000389	TR-SMALL SIGNAL;KSC815,NPN,400mW,TO-92,T	
....5	EY822	AA60-40011A	EYELET;ID2.0,OD2.8,-,-,BST,-	S.N.A5	Q901	0501-000283	TR-SMALL SIGNAL;KSA539,PNP,400mW,TO-92,T	
....5	EY823	AA60-40011A	EYELET;ID2.0,OD2.8,-,-,BST,-	S.N.A5	Q902	0504-000123	TR-DIGITAL;KSR1010,NPN,300mW,10K,TO-92,T	
....5	EY824	AA60-40011A	EYELET;ID2.0,OD2.8,-,-,BST,-	S.N.A5	Q903	0501-000389	TR-SMALL SIGNAL;KSC815,NPN,400mW,TO-92,T	
....5	EY825	AA60-40011A	EYELET;ID2.0,OD2.8,-,-,BST,-	S.N.A5	Q905	0501-000389	TR-SMALL SIGNAL;KSC815,NPN,400mW,TO-92,T	
....5	EY827	AA60-40011A	EYELET;ID2.0,OD2.8,-,-,BST,-	S.N.A5	R103	2001-000008	R-CARBON;15KOHM,5%,1/8W,AA,TP,1.8X3.2MM	
....5	EY828	AA60-40011A	EYELET;ID2.0,OD2.8,-,-,BST,-	S.N.A5	R104	2001-000429	R-CARBON;1KOHM,5%,1/8W,AA,TP,1.8X3.2MM	
....5	EY829	AA60-40011A	EYELET;ID2.0,OD2.8,-,-,BST,-	S.N.A5	R105	2001-000577	R-CARBON;2KOHM,5%,1/8W,AA,TP,1.8X3.2MM	
....5	EY830	AA60-40011A	EYELET;ID2.0,OD2.8,-,-,BST,-	S.N.A5	R106	2001-000290	R-CARBON;10KOHM,5%,1/8W,AA,TP,1.8X3.2MM	
....5	EY833	AA60-40011A	EYELET;ID2.0,OD2.8,-,-,BST,-	S.N.A5	R108	2001-000947	R-CARBON;7.5KOHM,5%,1/8W,AA,TP,1.8X3.2MM	
....5	EY850	AA60-40011A	EYELET;ID2.0,OD2.8,-,-,BST,-	S.N.A5	R109	2001-000786	R-CARBON;47KOHM,5%,1/8W,AA,TP,1.8X3.2MM	
....5	EY851	AA60-40011A	EYELET;ID2.0,OD2.8,-,-,BST,-	S.N.A5	R110	2001-000924	R-CARBON;680OHM,5%,1/8W,AA,TP,1.8X3.2MM	
....5	EY852	AA60-40011A	EYELET;ID2.0,OD2.8,-,-,BST,-	S.N.A5	R111	2001-000008	R-CARBON;15KOHM,5%,1/8W,AA,TP,1.8X3.2MM	
....5	EY853	AA60-40011A	EYELET;ID2.0,OD2.8,-,-,BST,-	S.N.A5	R112	2001-000577	R-CARBON;2KOHM,5%,1/8W,AA,TP,1.8X3.2MM	
....5	EY860	AA60-40011A	EYELET;ID2.0,OD2.8,-,-,BST,-	S.N.A5	R113	2001-000429	R-CARBON;1KOHM,5%,1/8W,AA,TP,1.8X3.2MM	
....5	EY861	AA60-40011A	EYELET;ID2.0,OD2.8,-,-,BST,-	S.N.A5	R114	2001-000290	R-CARBON;10KOHM,5%,1/8W,AA,TP,1.8X3.2MM	
....5	F801A	3602-000114	FUSE-HOLDER,-,-,30mohm	5	R117	2001-000924	R-CARBON;680OHM,5%,1/8W,AA,TP,1.8X3.2MM	
....5	F801B	3602-000114	FUSE-HOLDER,-,-,30mohm	5	R202	2001-000689	R-CARBON;390KOHM,5%,1/8W,AA,TP,1.8X3.2MM	
....5	FD801S	3601-001163	FUSE-AXIAL LEAD;125V,7A,-,EPOXY,2.4X7.1MM	S.N.A5	R203	2001-000857	R-CARBON;560OHM,5%,1/8W,AA,TP,1.8X3.2MM	
....5	GT101	AA60-40014A	PIN-GT,ASSY;1P,-,-,AUTO	S.N.A5	R204	2001-000857	R-CARBON;560OHM,5%,1/8W,AA,TP,1.8X3.2MM	
....5	GT301	AA60-40014A	PIN-GT,ASSY;1P,-,-,AUTO	S.N.A5	R205	2001-000011	R-CARBON;75KOHM,5%,1/8W,AA,TP,1.8X3.2MM	
....5	GT302	AA60-40014A	PIN-GT,ASSY;1P,-,-,AUTO	S.N.A5	R206	2001-000563	R-CARBON;27KOHM,5%,1/8W,AA,TP,1.8X3.2MM	
....5	GT401	AA60-40014A	PIN-GT,ASSY;1P,-,-,AUTO	S.N.A5	R207	2001-000005	R-CARBON;390ohm,5%,1/8W,AA,TP,1.8x3.2mm	
....5	GT402	AA60-40014A	PIN-GT,ASSY;1P,-,-,AUTO	S.N.A5	R208	2001-000591	R-CARBON;3.3KOHM,5%,1/8W,AA,TP,1.8X3.2MM	
....5	GT501	AA60-40014A	PIN-GT,ASSY;1P,-,-,AUTO	S.N.A5	R209	2001-000793	R-CARBON;470OHM,5%,1/8W,AA,TP,1.8X3.2MM	
....5	GT502	AA60-40014A	PIN-GT,ASSY;1P,-,-,AUTO	S.N.A5	R210	2001-000857	R-CARBON;560OHM,5%,1/8W,AA,TP,1.8X3.2MM	
....5	GT801	AA60-40014A	PIN-GT,ASSY;1P,-,-,AUTO	S.N.A5	R211	2001-000281	R-CARBON;100OHM,5%,1/8W,AA,TP,1.8X3.2MM	
....5	GT802	AA60-40014A	PIN-GT,ASSY;1P,-,-,AUTO	S.N.A5	R212	2001-000405	R-CARBON;180OHM,5%,1/8W,AA,TP,1.8X3.2MM	
....5	GT803	AA60-40014A	PIN-GT,ASSY;1P,-,-,AUTO	S.N.A5	R213	2001-000938	R-CARBON;680OHM,5%,1/8W,AA,TP,1.8X3.2MM	
....5	GT804	AA60-40014A	PIN-GT,ASSY;1P,-,-,AUTO	S.N.A5	R214	2001-000325	R-CARBON;120OHM,5%,1/8W,AA,TP,1.8X3.2MM	
....5	GT805	AA60-40014A	PIN-GT,ASSY;1P,-,-,AUTO	S.N.A5	R215	2001-000281	R-CARBON;100OHM,5%,1/8W,AA,TP,1.8X3.2MM	
....5	GT806	AA60-40014A	PIN-GT,ASSY;1P,-,-,AUTO	S.N.A5	R218	2001-000008	R-CARBON;15KOHM,5%,1/8W,AA,TP,1.8X3.2MM	
....5	GT807	AA60-40014A	PIN-GT,ASSY;1P,-,-,AUTO	S.N.A5	R219	2004-001914	R-METAL;39Kohm,2%,1/8W,AA,TP,1.8x3.5mm	
....5	HIC01	AA13-20004W	IC-HYBRID,-,-,PAP103T,SIP6P,PRE-AMP,TP	5	R220	2001-000472	R-CARBON;2.7KOHM,5%,1/8W,AA,TP,1.8X3.2MM	
....5	IC803	1203-001217	IC-POSI,ADJUST REG.;431,TO-92,3P,4.58MIL	5	R222	2001-000947	R-CARBON;7.5KOHM,5%,1/8W,AA,TP,1.8X3.2MM	
....5	J125	2001-000016	R-CARBON(S);10HM,5%,1/2W,AA,TP,2.4X6.4MM	5	R223	2001-000281	R-CARBON;100OHM,5%,1/8W,AA,TP,1.8X3.2MM	
....5	J137	2001-000281	R-CARBON;100OHM,5%,1/8W,AA,TP,1.8X3.2MM	5	R224	2001-000290	R-CARBON;10KOHM,5%,1/8W,AA,TP,1.8X3.2MM	
....5	J142	2701-000115	INDUCTOR-AXIAL;10uH,10%,3x7mm	5	R225	2001-000281	R-CARBON;100OHM,5%,1/8W,AA,TP,1.8X3.2MM	
....5	J910	3301-000287	CORE-FERRITE BEAD;AA,3.5x1.0x6.0mm,1500,	5	R227	2001-000739	R-CARBON;4.7MOHM,5%,1/8W,AA,TP,1.8X3.2MM	
....5	L101	2701-000326	INDUCTOR-AXIAL;560nH,10%,2.3x3.4mm	5	R228	2001-000739	R-CARBON;4.7MOHM,5%,1/8W,AA,TP,1.8X3.2MM	
....5	L102	2701-000159	INDUCTOR-AXIAL;22uH,10%,4.2x9.8mm	5	R230	2001-000221	R-CARBON;1.2KOHM,5%,1/8W,AA,TP,1.8X3.2MM	
....5	L103	2701-000114	INDUCTOR-AXIAL;10uH,10%,2.5x3.4mm	5	R301	2001-000016	R-CARBON(S);10HM,5%,1/2W,AA,TP,2.4X6.4MM	
....5	L104	2701-000168	INDUCTOR-AXIAL;3.3uH,5%,2.5x3.4mm	5	R302	2004-004366	R-METAL(S);1.3Kohm,1%,1/2W,AA,TP,2.5x6.5	
....5	L201	2701-000159	INDUCTOR-AXIAL;22uH,10%,4.2x9.8mm	5	R303	2003-002070	R-METAL OXIDE;1ohm,5%,2W,AF,TP,3.9x10mm	
....5	L202	2701-000114	INDUCTOR-AXIAL;10uH,10%,2.5x3.4mm	5	R304	2008-000253	R-FUSIBLE(S);0.47ohm,5%,1W,AF,TP,3.9x10mm	
....5	L203	2701-000127	INDUCTOR-AXIAL;15uH,10%,2.5x3.4mm	5	R305	2008-000253	R-FUSIBLE(S);0.47ohm,5%,1W,AF,TP,3.9x10mm	
....5	L204	2701-000184	INDUCTOR-AXIAL;4.7uH,10%,2.5x3.4mm	5	R306	2004-004366	R-METAL(S);1.3Kohm,1%,1/2W,AA,TP,2.5x6.5	
....5	L205	2701-000159	INDUCTOR-AXIAL;22uH,10%,4.2x9.8mm	5	R307	2001-000290	R-CARBON;10KOHM,5%,1/8W,AA,TP,1.8X3.2MM	
....5	L301	2701-000142	INDUCTOR-AXIAL;1uH,10%,2.5x3.4mm	5	R308	2001-001093	R-CARBON(S);2.2KOHM,5%,1/2W,AA,TP,2.4X6.	
....5	L302	2701-000142	INDUCTOR-AXIAL;1uH,10%,2.5x3.4mm	5	R313	2001-000258	R-CARBON;1.8KOHM,5%,1/8W,AA,TP,1.8X3.2MM	
....5	L403	2901-000297	FILTER-EMI ON BOARD,-,-,3A,-,-,3.5x5,TP,-	5	R314	2003-000537	R-METAL OXIDE(S);1Kohm,5%,1W,AF,TP,3.3x9	
....5	L404	2701-000142	INDUCTOR-AXIAL;1uH,10%,2.5x3.4mm	5	R315	2003-002009	R-METAL OXIDE(S);390ohm,5%,2W,AF,TP,3.9x	
....5	L405	2701-000159	INDUCTOR-AXIAL;22uH,10%,4.2x9.8mm	5	R316	2003-002009	R-METAL OXIDE(S);390ohm,5%,2W,AF,TP,3.9x	
....5	L702	2701-000184	INDUCTOR-AXIAL;4.7uH,10%,2.5x3.4mm	5	R402	2003-002178	R-METAL OXIDE(S);1Kohm,5%,2W,AG,TP,3.9x1	
....5	L703	2701-000184	INDUCTOR-AXIAL;4.7uH,10%,2.5x3.4mm	5	R403	2003-000784	R-METAL OXIDE(S);7.5Kohm,5%,2W,AF,TP,4x1	
....5	L704	2701-000184	INDUCTOR-AXIAL;4.7uH,10%,2.5x3.4mm	5	R405	2001-001116	R-CARBON(S);27OHM,5%,1/2W,AA,TP,2.4X6.4MM	
....5	L706	2701-000184	INDUCTOR-AXIAL;4.7uH,10%,2.5x3.4mm	5	R407	2003-002209	R-METAL OXIDE(S);47Kohm,5%,2W,AG,TP,3.9X	
....5	L802	3301-000287	CORE-FERRITE BEAD;AA,3.5x1.0x6.0mm,1500,	5	R408	2001-001037	R-CARBON(S);0.39OHM,5%,1/2W,AA,TP,2.4X6.	
....5	L803	3301-000287	CORE-FERRITE BEAD;AA,3.5x1.0x6.0mm,1500,	5	R409	2001-000022	R-CARBON(S);330HM,5%,1/2W,AA,TP,2.4X6.4MM	
....5	L804	2701-001030	INDUCTOR-AXIAL;43uH,10%,5x14mm	5	R411	2001-001114	R-CARBON(S);270OHM,5%,1/2W,AA,TP,2.4X6.4	
....5	L806	2901-000297	FILTER-EMI ON BOARD,-,-,3A,-,-,3.5x5,TP,-	5	R413	2003-002130	R-METAL OXIDE(S);15ohm,5%,2W,AF,TP,3.9x1	
....5	L807	2701-001030	INDUCTOR-AXIAL;43uH,10%,5x14mm	5	R414	2001-001078	R-CARBON(S);15KOHM,5%,1/2W,AA,TP,2.4X6.4	
....5	L808	2901-000297	FILTER-EMI ON BOARD,-,-,3A,-,-,3.5x5,TP,-	5	R420	2008-001110	R-FUSIBLE(S);68ohm,5%,2W,AG,TP,3.9X12mm	
....5	L902	2701-000114	INDUCTOR-AXIAL;10uH,10%,2.5x3.4mm	5	R421	2008-001114	R-FUSIBLE(S);1.5ohm,5%,2W,AG,TP,3.9x12mm	
....5	L903	2701-000158	INDUCTOR-AXIAL;22uH,10%,2.5x3.4mm	5	R423	2004-001373	R-METAL(S);100Kohm,1%,1/2W,AA,TP,2.4x6.4	
....5	L904	2701-000114	INDUCTOR-AXIAL;10uH,10%,2.5x3.4mm	5	R424	2004-001402	R-METAL(S);6.8Kohm,1%,1/2W,AA,TP,2.4x6.4	
....5	PCB	AA41-00131H	PCB-MAIN;CS21D8,FR-1,1L,H,1.6T,245X245,K	S.N.A5	R501	2001-000281	R-CARBON;100OHM,5%,1/8W,AA,TP,1.8X3.2MM	
....5	Q101	0501-000389	TR-SMALL SIGNAL;KSC815,NPN,400mW,TO-92,T	5	R501H	2002-001008	R-COMPOSITION;1.8Kohm,10%,1/2W,AA,TP,3.7	
....5	Q102	0501-000389	TR-SMALL SIGNAL;KSC815,NPN,400mW,TO-92,T	5	R502	2001-000281	R-CARBON;100OHM,5%,1/8W,AA,TP,1.8X3.2MM	
....5	Q201	0501-000283	TR-SMALL SIGNAL;KSA539,PNP,400mW,TO-92,T	5	R502H	2002-001008	R-COMPOSITION;1.8Kohm,10%,1/2W,AA,TP,3.7	
....5	Q202	0501-000389	TR-SMALL SIGNAL;KSC815,NPN,400mW,TO-92,T	5	R503	2002-001008	R-COMPOSITION;1.8Kohm,10%,1/2W,AA,TP,3.7	
....5	Q203	0501-000283	TR-SMALL SIGNAL;KSA539,PNP,400mW,TO-92,T	5	R504	2001-001062	R-CARBON(S);10MOHM,5%,1/2W,AA,TP,2.4X6.4	
....5	Q204	0501-000389	TR-SMALL SIGNAL;KSC815,NPN,400mW,TO-92,T	5	R505	2008-001011	R-FUSIBLE(S);0.18ohm,10%,2W,AF,TP,3.9x10	
....5	Q205	0501-000389	TR-SMALL SIGNAL;KSC815,NPN,400mW,TO-92,T	5	R506	2001-000281	R-CARBON;100OHM,5%,1/8W,AA,TP,1.8X3.2MM	
....5	Q301	0501-000283	TR-SMALL SIGNAL;KSA539,PNP,400mW,TO-92,T	5	R510	2001-000281	R-CARBON;100OHM,5%,1/8W,AA,TP,1.8X3.2MM	

Level	Loc. No.	Code No.	Description ; Specification	Remark	Level	Loc. No.	Code No.	Description ; Specification	Remark
....5	R511	2001-000281	R-CARBON;1000HM,5%,1/8W,AA,TP1.8X3.2MM	5	R932	2001-000325	R-CARBON;1200HM,5%,1/8W,AA,TP1.8X3.2MM	
....5	R512	2001-000281	R-CARBON;1000HM,5%,1/8W,AA,TP1.8X3.2MM	5	R933	2001-000281	R-CARBON;1000HM,5%,1/8W,AA,TP1.8X3.2MM	
....5	R601	2001-000878	R-CARBON;6.2KOHM,5%,1/8W,AA,TP1.8X3.2MM	5	R934	2001-000281	R-CARBON;1000HM,5%,1/8W,AA,TP1.8X3.2MM	
....5	R602	2001-000591	R-CARBON;3.3KOHM,5%,1/8W,AA,TP1.8X3.2MM	5	R937	2001-000290	R-CARBON;10KOHM,5%,1/8W,AA,TP1.8X3.2MM	
....5	R605	2001-000591	R-CARBON;3.3KOHM,5%,1/8W,AA,TP1.8X3.2MM	5	RW701	2011-001133	R-NETWORK;33K/24K/75x3,5%,1/8W,X,SIP6P	
....5	R607	2001-000878	R-CARBON;6.2KOHM,5%,1/8W,AA,TP1.8X3.2MM	5	RX801S	2002-001011	R-COMPOSITION;3.3Mohm,5%,1/2W,AA,TP3.7x	
....5	R618	2001-000019	R-CARBON(S);100HM,5%,1/2W,AA,TP2.4X6.4M	5	RY801S	2002-001012	R-COMPOSITION;8.2Mohm,5%,1/2W,AA,TP3.7x	
....5	R619	2001-000019	R-CARBON(S);100HM,5%,1/2W,AA,TP2.4X6.4M	5	SW901	3404-000244	SWITCH-TACT;15V20mA,90-170gf,7.5x7mm,SP	
....5	R701	2001-000969	R-CARBON;750HM,5%,1/8W,AA,TP1.8X3.2MM	5	SW902	3404-000244	SWITCH-TACT;15V20mA,90-170gf,7.5x7mm,SP	
....5	R702	2001-000969	R-CARBON;750HM,5%,1/8W,AA,TP1.8X3.2MM	5	SW903	3404-000244	SWITCH-TACT;15V20mA,90-170gf,7.5x7mm,SP	
....5	R708	2001-000281	R-CARBON;1000HM,5%,1/8W,AA,TP1.8X3.2MM	5	SW904	3404-000244	SWITCH-TACT;15V20mA,90-170gf,7.5x7mm,SP	
....5	R713	2001-000857	R-CARBON;5600HM,5%,1/8W,AA,TP1.8X3.2MM	5	SW905	3404-000244	SWITCH-TACT;15V20mA,90-170gf,7.5x7mm,SP	
....5	R715	2001-000857	R-CARBON;5600HM,5%,1/8W,AA,TP1.8X3.2MM	5	T101	AA26-00025A	TRANS-IF;7MG,-,-,10pF,-,58.35MHz,7.7x7	
....5	R717	2001-000429	R-CARBON;1KOHM,5%,1/8W,AA,TP1.8X3.2MM	5	VX801S	1405-000187	VARISTOR;750V,1250A,12.5x7mm,TP	
....5	R718	2001-000281	R-CARBON;1000HM,5%,1/8W,AA,TP1.8X3.2MM	5	X901	2801-003937	CRYSTAL-UNIT;12MHz,25ppm,28-AAM,30pF,30o	
....5	R719	2001-000969	R-CARBON;750HM,5%,1/8W,AA,TP1.8X3.2MM	5	Z201	2903-000129	FILTER-CERAMIC;BR,4.5MHz,-,-,TP-	
....5	R720	2001-000969	R-CARBON;750HM,5%,1/8W,AA,TP1.8X3.2MM	5	Z202	2903-001240	FILTER-CERAMIC;TR,5.5MHz,-,28dB,-,TP-	
....5	R721	2001-000734	R-CARBON;4.7KOHM,5%,1/8W,AA,TP1.8X3.2MM	5	Z203	2903-001246	FILTER-CERAMIC;TR,5.5MHz,-,-,TPmulti	
....5	R801	2003-002171	R-METAL OXIDE(S);150ohm,5%,2W,AG,TP3.9x	3	AA65-30111A	CLAMP-WIRE;ALL MODEL,NYLON,VO,-,WHT,1T 1	S.N.A	
....5	R803	2003-000994	R-METAL OXIDE(S);33Kohm,5%,2W,AF,TP3.9x	3	AA65-30018A	CLAMP-WIRE;DONG-A,NYLON-66,-,-,DATL-60	S.N.A	
....5	R804	2003-000994	R-METAL OXIDE(S);33Kohm,5%,2W,AF,TP3.9x	3	0202-000187	SOLDER-WIRE FLUX;-RS60S,D1.2.63Sn/37Pb	S.N.A	
....5	R805	2001-001170	R-CARBON(S);6.80HM,5%,1/2W,AA,TP2.4X6.4	3	AA39-20010D	LEAD CONNECTOR-ASSY;1,PHYH800-01,S,400,		
....5	R808	2001-000109	R-CARBON(S);4700HM,5%,1/2W,AA,TP2.4X6.4	3	AA65-30009A	CLAMP-FBT,-ABS,VO,-,BLK,-	S.N.A	
....5	R809	2001-001150	R-CARBON(S);470KOHM,5%,1/2W,AA,TP2.4X6.4	2	AA95-01723B	ASSY SUB-A/V SIDE;A12D8,KS1APAL,MONO,AA95	S.N.A	
....5	R810	2001-001150	R-CARBON(S);470KOHM,5%,1/2W,AA,TP2.4X6.4	3	CN702	AA39-20461C	LEAD CONNECTOR-ASSY;1,1P;YBNH250-11,6709	
....5	R814	2003-002228	R-METAL OXIDE(S);0.47ohm,5%,2W,AG,TP3.9	3	JE601	3722-000143	JACK-PHONE;1P;VER;3,4PI,AG,BLK,NO	
....5	R815	2003-002228	R-METAL OXIDE(S);0.47ohm,5%,2W,AG,TP3.9	3	JR01	3722-001282	JACK-PIN;2P;3P;3,2mm,AU,BLK,-	
....5	R817	2004-004089	R-METAL(S);123Kohm,1%,1/2W,AA,TP2.5x6.5	3	AA97-07206A	ASSY AUTO-A/V SIDE;21D8,KS1A,PAL,AA95-01	S.N.A	
....5	R818	2004-001399	R-METAL(S);5.1Kohm,1%,1/2W,AA,TP2.4x6.4	4	CE01	2401-001840	C-AL;100uF,20%,16V;GTP6.3x11.5	
....5	R819	2004-001390	R-METAL(S);1Kohm,2%,1/2W,AA,TP2.4x6.4mm	4	CE04	2202-000121	C-CERAMIC,MLC-AXIAL;100pF,10%,50V,Y5P,TP	
....5	R821	2001-001125	R-CARBON(S);300KOHM,5%,1/2W,AA,TP2.4X6.4	4	CE07	2202-000222	C-CERAMIC,MLC-AXIAL;3.3nF,20%,16V;Y5P,TP	
....5	R822	2004-001983	R-METAL(S);2.49Kohm,1%,1/2W,AA,TP2.4x6.4	4	LE01	2701-000158	INDUCTOR-AXIAL;22uH,10%,2.5x3.4mm	
....5	R823	2001-000037	R-CARBON(S);3300HM,5%,1/2W,AA,TP2.4X6.4	4	LE04	2701-000114	INDUCTOR-AXIAL;10uH,10%,2.5x3.4mm	
....5	R824	2008-000294	R-FUSIBLE(S);33ohm,5%,2W,AF,TP3.9x10mm	4	PCB	AA41-00567A	PCB-SIDE AV;CS21D8,FR-1.1LA,1.6T,245X24	S.N.A
....5	R825	2008-000266	R-FUSIBLE(S);1ohm,5%,2W,AF,TP3.9x10mm	4	RE01	2001-001153	R-CARBON(S);470HM,5%,1/2W,AA,TP2.4X6.4M	
....5	R827	2003-000998	R-METAL OXIDE;300ohm,5%,2W,AF,TP3.9x10mm	4	RE02A	2001-001153	R-CARBON(S);470HM,5%,1/2W,AA,TP2.4X6.4M	
....5	R828	2001-000290	R-CARBON;10KOHM,5%,1/8W,AA,TP1.8X3.2MM	3		0202-000187	SOLDER-WIRE FLUX;-RS60S,D1.2.63Sn/37Pb	S.N.A
....5	R829	2001-000563	R-CARBON;27KOHM,5%,1/8W,AA,TP1.8X3.2MM						
....5	R830	2001-000734	R-CARBON;4.7KOHM,5%,1/8W,AA,TP1.8X3.2MM						
....5	R831	2001-001192	R-CARBON(S);8200HM,5%,1/2W,AA,TP2.4X6.4						
....5	R832	2001-001088	R-CARBON(S);1KOHM,5%,1/2W,AA,TP2.4X6.4M						
....5	R834	2003-001040	R-METAL OXIDE(S);47Kohm,5%,2W,AF,TP3.9x						
....5	R840	2001-001078	R-CARBON(S);15KOHM,5%,1/2W,AA,TP2.4X6.4						
....5	R841	2001-000734	R-CARBON;4.7KOHM,5%,1/8W,AA,TP1.8X3.2MM						
....5	R843	2001-000019	R-CARBON(S);100HM,5%,1/2W,AA,TP2.4X6.4M						
....5	R850	2001-001170	R-CARBON(S);6.80HM,5%,1/2W,AA,TP2.4X6.4						
....5	R901	2001-000472	R-CARBON;2.7KOHM,5%,1/8W,AA,TP1.8X3.2MM						
....5	R902	2001-000241	R-CARBON;1.5KOHM,5%,1/8W,AA,TP1.8X3.2MM						
....5	R903	2001-000472	R-CARBON;2.7KOHM,5%,1/8W,AA,TP1.8X3.2MM						
....5	R904	2001-000241	R-CARBON;1.5KOHM,5%,1/8W,AA,TP1.8X3.2MM						
....5	R905	2001-000005	R-CARBON;390ohm,5%,1/8W,AA,TP1.8x3.2mm		1	*	AA90-01835X	ASSY COVER FRONT;CS21D8ZX/AWE	S.N.A
....5	R906	2001-000005	R-CARBON;390ohm,5%,1/8W,AA,TP1.8x3.2mm		..2		AA91-00589M	ASSY CABINET FRONT;21D8 M-EAST KS1A,(SP	
....5	R907	2001-000472	R-CARBON;2.7KOHM,5%,1/8W,AA,TP1.8X3.2MM		..3	KC+CF	6003-001026	SCREW-TAPTITE;RH,+B,M4,L15,ZPC(BLK),SWR	S.N.A
....5	R908	2001-000472	R-CARBON;2.7KOHM,5%,1/8W,AA,TP1.8X3.2MM		..3	POWER	AA61-60003J	SPRING-CS;-SUS304,-,-,0D6,N7,0D6,-,-,-	S.N.A
....5	R909	2001-000281	R-CARBON;1000HM,5%,1/8W,AA,TP1.8X3.2MM		..3	SPK+CF	6003-001019	SCREW-TAPTITE;RH,+B,M4,L12,ZPC(BLK),SWR	S.N.A
....5	R910	2001-000290	R-CARBON;10KOHM,5%,1/8W,AA,TP1.8X3.2MM		..3	WIN+CF	6003-001026	SCREW-TAPTITE;RH,+B,M4,L15,ZPC(BLK),SWR	S.N.A
....5	R911	2001-000281	R-CARBON;1000HM,5%,1/8W,AA,TP1.8X3.2MM		..3		AA64-01426B	WINDOW REMOCON;21D8,PC,-,-,VOILET,-,-	S.N.A
....5	R912	2001-000281	R-CARBON;1000HM,5%,1/8W,AA,TP1.8X3.2MM		..3		AA64-01425H	KNOB POWER;21D8,ABS,HB,BLK	
....5	R913	2001-000281	R-CARBON;1000HM,5%,1/8W,AA,TP1.8X3.2MM		..3		AA64-70123D	BADGE-BRAND;-AL,-,-,L=50,SAMSUNG,GOLD,R	S.N.A
....5	R914	2001-000281	R-CARBON;1000HM,5%,1/8W,AA,TP1.8X3.2MM		..3		AA65-30105A	CLAMP-WIRE;ALL MODEL,NYLON 66,V2,-,NTR,1	S.N.A
....5	R915	2001-000924	R-CARBON;6800HM,5%,1/8W,AA,TP1.8X3.2MM		..3		AA96-10146C	ASSY SPEAKER;-8ohm,5W,3001-000274,350/7	S.N.A
....5	R916	2001-000449	R-CARBON;2.2KOHM,5%,1/8W,AA,TP1.8X3.2MM		..4		3001-000274	SPEAKER;5W,8ohm,90dB,16OHZ	
....5	R917	2001-000449	R-CARBON;2.2KOHM,5%,1/8W,AA,TP1.8X3.2MM		..4		AA39-20505M	LEAD CONNECTOR-ASSY;4P;YSH025-04,REC,35	
....5	R918	2001-000429	R-CARBON;1KOHM,5%,1/8W,AA,TP1.8X3.2MM		..3		AA64-01423R	CABINET-FRONT;21D8,HIPS,HB,BLK,BK708P EG	
....5	R919	2001-000290	R-CARBON;10KOHM,5%,1/8W,AA,TP1.8X3.2MM		..3		AA61-40113A	STOPPER-PCB;501H,HIPS,-,-,HB,NTR,-	S.N.A
....5	R920	2001-000290	R-CARBON;10KOHM,5%,1/8W,AA,TP1.8X3.2MM		..3		AA64-01011B	INDICATOR LED;29D8,ACRYL,-,CLR,-,-,-	
....5	R921	2001-000290	R-CARBON;10KOHM,5%,1/8W,AA,TP1.8X3.2MM		..3		AA64-01012K	KNOB CONTROL;21.29D8,ABS,HB,BLK	
....5	R922	2001-000290	R-CARBON;10KOHM,5%,1/8W,AA,TP1.8X3.2MM		..3		AA64-01309Q	INLAY AV;PDS SHEET,21D8,T0.3,S15A MONO GO	S.N.A
....5	R923	2001-000273	R-CARBON;100KOHM,5%,1/8W,AA,TP1.8X3.2MM						
....5	R924	2001-000290	R-CARBON;10KOHM,5%,1/8W,AA,TP1.8X3.2MM						
....5	R925	2001-000734	R-CARBON;4.7KOHM,5%,1/8W,AA,TP1.8X3.2MM						
....5	R926	2001-000429	R-CARBON;1KOHM,5%,1/8W,AA,TP1.8X3.2MM						
....5	R927	2001-000793	R-CARBON;470HM,5%,1/8W,AA,TP1.8X3.2MM		1	*	AA91-02939A	ASSY CPT;CS21D8ZX/AWE	S.N.A
....5	R928	2001-000290	R-CARBON;10KOHM,5%,1/8W,AA,TP1.8X3.2MM		..2		AA91-02169Y	ASSY CPT;A51KQJ63(X)H,21,0MG,BARE	S.N.A
....5	R929	2001-000563	R-CARBON;27KOHM,5%,1/8W,AA,TP1.8X3.2MM		..3		AA63-60028A	SPACER-DY;-NEOPRENE,-,-,-,BLK,-,-,VO W1	S.N.A
....5	R931	2001-000429	R-CARBON;1KOHM,5%,1/8W,AA,TP1.8X3.2MM		..3		AA27-50005K	DEFLECTION-YOKE;-CDY-S2192MM,ST-3,A51KQJ	

ASSY COVER REAR

ASSY COVER FRONT

ASSY CPT

Level	Loc. No.	Code No.	Description ; Specification	Remark
...	...	AA27-00002A	MAGNET-CONVERGENCE,-,JH291-SC-OB,29.1MM	
...	...	AA03-10027E	CRT-COLOR;A51KQJ63X(H),0mG,2.28mH,22.7mH	

Level	Loc. No.	Code No.	Description ; Specification	Remark
-------	----------	----------	-----------------------------	--------

7-10 CZ21D8TX/BOB

Level	Loc. No.	Code No.	Description ; Specification	Remark
-------	----------	----------	-----------------------------	--------

Level	Loc. No.	Code No.	Description ; Specification	Remark
-------	----------	----------	-----------------------------	--------

ASSY CHASSIS

Level	Loc. No.	Code No.	Description ; Specification	Remark
1	*	AA91-02134W	ASSY CHASSIS;CZ21D8TX/BOB	
...	...	AA94-07596Y	ASSY PCB MAIN;CZ21D8TBX/BOB,KS1A,BULGARI	S.N.A
...	C801	2401-000534	C-AL;150uF;20%;400V,GP,ST,25x30,10	
...	C901	2305-000412	C-FILM,MPEF;470nF;5%;63V,TP,-,5mm	
...	CLAMP	AA65-30018A	CLAMP-WIRE;DONG-A,NYLON-66,-,-,DATL-60	S.N.A
...	CN501	AA39-20620C	LEAD CONNECTOR-ASSY;,9PYBNH250-09,S,500	
...	D-COIL	AA65-30107A	CLAMP-D,COIL;20--22 INCH,NYLON 66,V2,-,NT	S.N.A
...	D806	AA96-00243D	ASSY H/S,-,BRIDGE,AA62-00045A,D06U20S,DR	S.N.A
...	...	0205-000129	GREASE-SILICON;SC102,JAPAN	S.N.A
...	...	0402-001374	DIODE-RECTIFIER;FFP06U20S,200V,6A,TO-22	
...	...	6003-000335	SCREW-TAPTITE;RH,+2S,M3,L8,ZPC(YEL),SWR	S.N.A
...	...	AA62-00045A	HEAT SINK-PS,-,T1.0,-,DREAM,-,-,-,-	S.N.A
...	IC201S	AA09-00251A	IC MICOM;TDA9351/N2/3,SPM-802EE1,64P,3.3	
...	IC301	AA96-00244A	ASSY H/S,-,AA62-00046A,LA7840,-	S.N.A
...	...	0205-000129	GREASE-SILICON;SC102,JAPAN	S.N.A
...	...	1204-001483	IC-VERTICAL PROCESSOR;LA7840,SIP,7P,708MI	
...	...	6003-000335	SCREW-TAPTITE;RH,+2S,M3,L8,ZPC(YEL),SWR	S.N.A
...	...	AA62-00046A	HEAT SINK-PS,-,T1.0,-,D1(DREAM) 60X25X	S.N.A
...	IC601	AA96-00244G	ASSY H/S,-,AUDIO,AA62-00046A,TDA8944J,BR	S.N.A
...	...	AA62-00046A	HEAT SINK-PS,-,T1.0,-,D1(DREAM) 60X25X	S.N.A
...	...	AA61-10162B	BRACKET-IC,-,SBHG-1,T1.0,-,-,100	S.N.A
...	...	6003-000335	SCREW-TAPTITE;RH,+2S,M3,L8,ZPC(YEL),SWR	S.N.A
...	...	1201-001741	IC-AUDIO AMP;TDA8944J,DBS,17P,937MIL,DUA	
...	...	0205-000129	GREASE-SILICON;SC102,JAPAN	S.N.A
...	Q401	0502-001160	TR-POWER;2SD2499,NPN,50000mW,TO-3PBK,8-	
...	T444S	AA26-00065A	TRANS FBT,-,FSV-14A004C(S),14-22,125V	
...	...	AA65-30018A	CLAMP-WIRE;DONG-A,NYLON-66,-,-,DATL-60	S.N.A
...	...	AA97-03439A	ASSY ROBOT-MAIN;CZ21D8TBX/BOB,KS1A,BULGA	S.N.A
...	CN701	3711-000628	CONNECTOR-HEADER,-,11P,1R,2.5mm,STRAIGHT	
...	CR402S	2306-000188	C-FILM,MPPF;330nF;5%;400V,TP,26x19.5x11,-	
...	CR410S	2303-001015	C-FILM,PPF;5.5nF;5%;1.6kV,TP,29x9.5x17,2	
...	CX801S	2306-000318	C-FILM,MPPF;220nF;20%;250V,TP,-,22.5mm	
...	CY801S	2201-000446	C-CERAMIC,DISC;3.3nF;20%;400V,Y5U,TP,15x	
...	FP801S	3601-000281	FUSE-CARTRIDGE;250V,4A,TIME-LAG,GLASS,5.	
...	IC501	AA96-50311A	ASSY-H/S,-,VIDEO,AA62-30175D,TDA6107Q,-	S.N.A
...	...	1201-001159	IC-VIDEO AMP;6107,ZSIP,9P,-,SINGLE,-,PLA	
...	...	6003-000334	SCREW-TAPTITE;RH,+2S,M3,L6,ZPC(YEL),SWR	S.N.A
...	...	AA62-30175D	HEAT-SINK-PS,-,SECC,T1.0,-,33X15X30 FT-2	S.N.A
...	IC801S	AA96-00242A	ASSY H/S,-,AA62-30186B,KA5Q0765R,-	S.N.A
...	...	0205-000129	GREASE-SILICON;SC102,JAPAN	S.N.A
...	...	1203-001932	IC-PWM CONTROLLER;5Q0765,TO-220F,5P;185M	
...	...	6003-000333	SCREW-TAPTITE;RH,+2S,M3,L10,ZPC(YEL),SW	S.N.A
...	...	AA62-30186B	HEAT SINK-ES,-,SILVER,171J + COVER-H	S.N.A
...	IC802	AA96-00245A	ASSY H/S,-,AA62-00055A,KA763Z,-	S.N.A
...	...	1203-001939	IC-POSIFIXED REG.;763Z,SIP,10P,-,PLASTI	
...	...	6003-000334	SCREW-TAPTITE;RH,+2S,M3,L6,ZPC(YEL),SWR	S.N.A
...	...	AA62-00055A	HEAT SINK-PS,-,T1.0,-,35*15*25,D1,-,-	S.N.A
...	IC902	1103-001200	IC-EEPROM;M24C08-WBNG,1024x8BIT,DIP,8P;3	
...	JS701	3722-000183	JACK-SCART;21P,4mm,SN,BLK,NO	
...	LD901	AA96-00055A	ASSY LED GUIDE,-,UJEX-LD-030,GREEN	S.N.A
...	LR401S	AA27-00053A	COIL-LINEARLITY,-,193uH,DR10X10 C.4.35,7	
...	LX801S	AA29-30001B	FILTER-LINE NOISE,-,27mH,-,-,-	
...	NT802S	1404-001045	THERMISTOR-NTC;4.7ohm,15%,2900K,35.0mW,T	
...	P803S	1404-001156	THERMISTOR-PTC;90HM,+30%/-20%220VRMS,27	
...	RM901	AA32-00009A	MODULE REMOCON;FRP-3521H3,38KHZ,940NM,ME	
...	SF101S	2904-001063	FILTER-SAW AV;38.9MHz,SIP5K,TP,18.5dB,B/	
...	SW801S	3403-001107	SWITCH-PUSH;250V,50A,DPST,-,KDC-A04	
...	T401	AA26-50001B	TRANS-HORIZ.DRIVE,-,-,7.1mH,-,102uH,	
...	T801S	AA26-00134A	TRANS SWITCHING;-CS21S1T,160V-260V,PM2 P	
...	TU01S	AA40-00070A	TUNER;TEDE9-203A,PAL,181CH,38.9MHZ,750HM	

...	...	V999S	3704-001105	SOCKET-CRT;11P,20P,26.5PI,NL,-	
...	...	AA97-04817A	ASSY AUTO-MAIN;CZ21D8TBX/BOB,KS1A,BULGAR	S.N.A	
...	C101	2401-001101	C-AL;330uF;20%;16V,GP,TP,8x11.5,5		
...	C102	2202-000279	C-CERAMIC,MLC-AXIAL;47pF;5%;50V,SL,TP,3.		
...	C103	2305-000665	C-FILM,MPEF;100nF;5%;63V,TP,7.5x4.0x5.0m		
...	C106	2202-000127	C-CERAMIC,MLC-AXIAL;10nF;+80-20%;25V,Y5V		
...	C109	2301-000224	C-FILM,PEF;22nF;5%;50V,TP,7.4x3.9x13mm,5		
...	C110	2401-000962	C-AL;22uF;20%;50V,GP,TP,5x11.5		
...	C111	2202-000127	C-CERAMIC,MLC-AXIAL;10nF;+80-20%;25V,Y5V		
...	C115	2202-000632	C-CERAMIC,MLC-AXIAL;100nF;20%;50V,Z5U,TP		
...	C203	2401-001176	C-AL;33uF;20%;25V,GP,TP,5x11.5		
...	C204	2305-000665	C-FILM,MPEF;100nF;5%;63V,TP,7.5x4.0x5.0m		
...	C205	2305-000665	C-FILM,MPEF;100nF;5%;63V,TP,7.5x4.0x5.0m		
...	C206	2401-002235	C-AL;10uF;20%;16V,GP,TP,5x11mm,5mm		
...	C207	2305-000412	C-FILM,MPEF;470nF;5%;63V,TP,-,5mm		
...	C208	2305-000665	C-FILM,MPEF;100nF;5%;63V,TP,7.5x4.0x5.0m		
...	C209	2401-001840	C-AL;100uF;20%;16V,GP,TP,6.3x11.5		
...	C210	2305-000665	C-FILM,MPEF;100nF;5%;63V,TP,7.5x4.0x5.0m		
...	C211	2202-000632	C-CERAMIC,MLC-AXIAL;100nF;20%;50V,Z5U,TP		
...	C212	2401-000647	C-AL;2.2uF;20%;50V,BP,TP,5x11.5		
...	C213	2401-001840	C-AL;100uF;20%;16V,GP,TP,6.3x11.5		
...	C214	2401-001840	C-AL;100uF;20%;16V,GP,TP,6.3x11.5		
...	C215	2305-000289	C-FILM,MPEF;220nF;5%;63V,TP,-,5mm		
...	C216	2305-000289	C-FILM,MPEF;220nF;5%;63V,TP,-,5mm		
...	C217	2301-000342	C-FILM,PEF;2.2nF;5%;50V,TP,7.4x3.9x13mm,		
...	C218	2305-000665	C-FILM,MPEF;100nF;5%;63V,TP,7.5x4.0x5.0m		
...	C219	2401-000603	C-AL;1uF;20%;50V,GP,TP,5x11.5		
...	C220	2401-002235	C-AL;10uF;20%;16V,GP,TP,5x11mm,5mm		
...	C221	2401-000660	C-AL;2.2uF;20%;50V,GP,TP,5x11.5		
...	C222	2401-000758	C-AL;220nF;20%;50V,GP,TP,5x11.5		
...	C223	2202-000796	C-CERAMIC,MLC-AXIAL;1nF;10%;50V,Y5P,TP,3		
...	C224	2202-000796	C-CERAMIC,MLC-AXIAL;1nF;10%;50V,Y5P,TP,3		
...	C225	2309-000138	C-FILM,PE-PPF;100nF;5%;50V,TP,20x16x8.5,		
...	C226	2202-000829	C-CERAMIC,MLC-AXIAL;82nF;10%;50V,Y5P,TP		
...	C227	2301-000014	C-FILM,PEF;6.8nF;5%;100V,TP,5.8x12.5mm,5		
...	C229	2401-001840	C-AL;100uF;20%;16V,GP,TP,6.3x11.5		
...	C230	2305-000665	C-FILM,MPEF;100nF;5%;63V,TP,7.5x4.0x5.0m		
...	C231	2305-000665	C-FILM,MPEF;100nF;5%;63V,TP,7.5x4.0x5.0m		
...	C233	2305-000289	C-FILM,MPEF;220nF;5%;63V,TP,-,5mm		
...	C234	2301-000342	C-FILM,PEF;2.2nF;5%;50V,TP,7.4x3.9x13mm,		
...	C248	2301-000445	C-FILM,PEF;4.7nF;5%;50V,TP,5.5x7x3mm,5mm		
...	C301	2305-000285	C-FILM,MPEF;220nF;5%;100V,TP,10.5x5.5x15		
...	C302	2201-000259	C-CERAMIC,DISC;0.18nF;10%;500V,Y5P,TP,5.		
...	C303	2201-000556	C-CERAMIC,DISC;0.47nF;10%;500V,Y5P,TP,5.		
...	C304	2401-002288	C-AL;470uF;20%;25V,WVT,TP,10x20,5		
...	C305	2201-000556	C-CERAMIC,DISC;0.47nF;10%;500V,Y5P,TP,5.		
...	C306	2401-002288	C-AL;470uF;20%;25V,WVT,TP,10x20,5		
...	C307	2401-000360	C-AL;100uF;20%;50V,GP,TP,8x11.5,5		
...	C308	2401-000360	C-AL;100uF;20%;50V,GP,TP,8x11.5,5		
...	C309	2301-000254	C-FILM,PEF;39nF;5%;50V,TP,7.5x3.5x6.5mm,		
...	C310	2401-000223	C-AL;100nF;20%;50V,LL,TP,5x11mm,5mm		
...	C312	2305-000149	C-FILM,MPEF;100nF;5%;100V,TP,12x12.5x6.5		
...	C403	2401-000560	C-AL;1uF;20%;160V,GP,TP,6.3x11.5		
...	C406	2401-002619	C-AL;47uF;20%;25V,GP,TP,5x11.5		
...	C407	2301-000383	C-FILM,PEF;10nF;5%;50V,TP,6x7x3.2mm,5mm		
...	C408	2201-000599	C-CERAMIC,DISC;0.56nF;10%;500V,Y5P,TP,5.		
...	C420	2301-001065	C-FILM,MPPF;47nF;5%;630V,TP,19x11.5x7.7.		
...	C502	2301-000213	C-FILM,PEF;220nF;5%;250V,TP,21.5x11.7,5		
...	C503	2201-000723	C-CERAMIC,DISC;4.7nF;20%;3KV,Y5U,TP,16x5		
...	C504	2401-001232	C-AL;4.7uF;20%;250V,GP,TP,10x12.5,5		
...	C505	2202-000825	C-CERAMIC,MLC-AXIAL;680pF;10%;50V,Y5P,TP		
...	C506	2401-000430	C-AL;10uF;20%;250V,GP,TP,10x16mm,5m		
...	C601	2401-001998	C-AL;1000uF;20%;25V,GP,TP,10x20,5mm		

Level	Loc. No.	Code No.	Description ; Specification	Remark	Level	Loc. No.	Code No.	Description ; Specification	Remark
....5	C603	2305-000289	C-FILM,MPEF;220nF,5%,63V,TP,-,5mm	5	DZ302	0403-001221	DIODE-ZENER;UZ39BSB,35.36-37.19V,500mW,DO	
....5	C604	2401-000660	C-AL;2.2uF,20%,50V,GP,TP;5x11,5	5	DZ303	0403-000700	DIODE-ZENER;TZP33A,33V,31-35V,1W,DO-41,T	
....5	C605	2401-000660	C-AL;2.2uF,20%,50V,GP,TP;5x11,5	5	DZ305	0403-001328	DIODE-ZENER;MTZJ22A,20.15-21.20V,500mW,DO	
....5	C606	2301-000289	C-FILM,PEF;5.6nF,5%,50V,TP;7x6x3,5	5	DZ306	0403-000720	DIODE-ZENER;MTZJ9.1B,9.1V,8.57-9.01V,500	
....5	C607	2305-000289	C-FILM,MPEF;220nF,5%,63V,TP,-,5mm	5	DZ307	0403-000720	DIODE-ZENER;MTZJ9.1B,9.1V,8.57-9.01V,500	
....5	C610	2301-000289	C-FILM,PEF;5.6nF,5%,50V,TP;7x6x3,5	5	DZ401	0403-000508	DIODE-ZENER;MTZJ5.6B,5.6V,5.45-5.73V,500	
....5	C611	2305-000289	C-FILM,MPEF;220nF,5%,63V,TP,-,5mm	5	DZ402	0403-000508	DIODE-ZENER;MTZJ5.6B,5.6V,5.45-5.73V,500	
....5	C612	2401-000480	C-AL;10uF,20%,50V,GP,TP;5x11,5	5	DZ501	0403-000720	DIODE-ZENER;MTZJ9.1B,9.1V,8.57-9.01V,500	
....5	C613	2305-000289	C-FILM,MPEF;220nF,5%,63V,TP,-,5mm	5	DZ502	0403-000720	DIODE-ZENER;MTZJ9.1B,9.1V,8.57-9.01V,500	
....5	C618	2305-000665	C-FILM,MPEF;100nF,5%,63V,TP;7.5x4.0x5.0m	5	DZ503	0403-000720	DIODE-ZENER;MTZJ9.1B,9.1V,8.57-9.01V,500	
....5	C619	2305-000665	C-FILM,MPEF;100nF,5%,63V,TP;7.5x4.0x5.0m	5	DZ504	0403-000720	DIODE-ZENER;MTZJ9.1B,9.1V,8.57-9.01V,500	
....5	C702	2202-000210	C-CERAMIC,MLC-AXIAL;270pF,10%,50V,Y5P,TP	5	DZ701	0403-000720	DIODE-ZENER;MTZJ9.1B,9.1V,8.57-9.01V,500	
....5	C703	2202-000121	C-CERAMIC,MLC-AXIAL;100pF,10%,50V,Y5P,TP	5	DZ702	0403-000720	DIODE-ZENER;MTZJ9.1B,9.1V,8.57-9.01V,500	
....5	C704	2202-000121	C-CERAMIC,MLC-AXIAL;100pF,10%,50V,Y5P,TP	5	DZ703	0403-000720	DIODE-ZENER;MTZJ9.1B,9.1V,8.57-9.01V,500	
....5	C706	2401-001989	C-AL;4.7uF,20%,50V,BP,TP;5x11,5	5	DZ704	0403-000720	DIODE-ZENER;MTZJ9.1B,9.1V,8.57-9.01V,500	
....5	C707	2301-000204	C-FILM,PEF;2.7nF,5%,50V,TP;7.4x3.9x13mm,	5	DZ801	0403-001140	DIODE-ZENER;RD10ESAB-T4,10V,9.19-10.30V,	
....5	C709	2401-000480	C-AL;10uF,20%,50V,GP,TP;5x11,5	5	DZ802	0403-001318	DIODE-ZENER;MTZJ4.3B,4.17-4.43V,500mW,DO	
....5	C802	2401-001192	C-AL;33uF,20%,50V,GP,TP;6.3x11,5	5	DZ803	0403-000700	DIODE-ZENER;TZP33A,33V,31-35V,1W,DO-41,T	
....5	C803	2305-000665	C-FILM,MPEF;100nF,5%,63V,TP;7.5x4.0x5.0m	5	DZ805	0403-001327	DIODE-ZENER;MTZJ1.8A,16.22-17.06V,500mW,DO	
....5	C804	2301-000224	C-FILM,PEF;22nF,5%,50V,TP;7.4x3.9x13mm,5	5	DZ806	0403-001317	DIODE-ZENER;MTZJ3.0B,3.01-3.22V,500mW,DO	
....5	C805	2301-000235	C-FILM,PEF;3.9nF,5%,50V,TP;6.5x3.0x5.5mm	5	DZ807	0403-000508	DIODE-ZENER;MTZJ5.6B,5.6V,5.45-5.73V,500	
....5	C806	2301-001435	C-FILM,PEF;1.5nF,5%,1.2kV,TP;15x8x12.5mm	5	DZ808	0403-000720	DIODE-ZENER;MTZJ9.1B,9.1V,8.57-9.01V,500	
....5	C811	2201-000991	C-CERAMIC,DISC;0.56nF,10%,2kV,Y5P,TP;7,5	5	DZ810	0403-000508	DIODE-ZENER;MTZJ5.6B,5.6V,5.45-5.73V,500	
....5	C812	2401-000262	C-AL;100uF,20%,160V,HR,TP;16x25,7,5	5	DZ901	0403-001319	DIODE-ZENER;MTZJ4.7C,4.68-4.93V,500mW,DO	
....5	C813	2401-002290	C-AL;47uF,20%,160V,GP,TP;13x20,5	5	DZ903	0403-000508	DIODE-ZENER;MTZJ5.6B,5.6V,5.45-5.73V,500	
....5	C814	2201-000991	C-CERAMIC,DISC;0.56nF,10%,2kV,Y5P,TP;7,5	5	DZ904	0403-000508	DIODE-ZENER;MTZJ5.6B,5.6V,5.45-5.73V,500	
....5	C817	2401-000302	C-AL;100uF,20%,25V,GP,TP;6.3x11,5	5	DZ905	0403-000508	DIODE-ZENER;MTZJ5.6B,5.6V,5.45-5.73V,500	
....5	C818	2401-003028	C-AL;100uF,20%,25V,WT,TP;6.3x11,5	5	DZ906	0403-001319	DIODE-ZENER;MTZJ4.7C,4.68-4.93V,500mW,DO	
....5	C819	2305-000665	C-FILM,MPEF;100nF,5%,63V,TP;7.5x4.0x5.0m	5	DZ907	0403-001319	DIODE-ZENER;MTZJ4.7C,4.68-4.93V,500mW,DO	
....5	C820	2401-000480	C-AL;10uF,20%,50V,GP,TP;5x11,5	5	DZ908	0403-001319	DIODE-ZENER;MTZJ4.7C,4.68-4.93V,500mW,DO	
....5	C821	2401-003028	C-AL;100uF,20%,25V,WT,TP;6.3x11,5	5	EL301	AA60-40011B	EYELET;ID2.2,DD3.2,-,-,BSP-	S.N.A
....5	C822	2401-000711	C-AL;2200uF,20%,25V,GP,TP;16x25,7,5	5	EL302	AA60-40011B	EYELET;ID2.2,DD3.2,-,-,BSP-	S.N.A
....5	C823	2401-000302	C-AL;100uF,20%,25V,GP,TP;6.3x11,5	5	EL403	AA60-40011B	EYELET;ID2.2,DD3.2,-,-,BSP-	S.N.A
....5	C827	2401-000927	C-AL;22uF,20%,250V,GP,TP;13x20,5	5	EL404	AA60-40011B	EYELET;ID2.2,DD3.2,-,-,BSP-	S.N.A
....5	C903	2401-001840	C-AL;100uF,20%,16V,GP,TP;6.3x11,5	5	EL407	AA60-40011B	EYELET;ID2.2,DD3.2,-,-,BSP-	S.N.A
....5	C904	2301-000383	C-FILM,PEF;10nF,5%,50V,TP;6x7x3.2mm,5mm	5	EL408	AA60-40011B	EYELET;ID2.2,DD3.2,-,-,BSP-	S.N.A
....5	C906	2202-000796	C-CERAMIC,MLC-AXIAL;1nF,10%,50V,Y5P,TP;3	5	EL501	AA60-40011B	EYELET;ID2.2,DD3.2,-,-,BSP-	S.N.A
....5	C908	2201-000573	C-CERAMIC,DISC;0.047nF,5%,50V,NP0,TP;5x3	5	EL502	AA60-40011B	EYELET;ID2.2,DD3.2,-,-,BSP-	S.N.A
....5	C909	2201-000573	C-CERAMIC,DISC;0.047nF,5%,50V,NP0,TP;5x3	5	EL601	AA60-40011B	EYELET;ID2.2,DD3.2,-,-,BSP-	S.N.A
....5	C910	2401-001840	C-AL;100uF,20%,16V,GP,TP;6.3x11,5	5	EL602	AA60-40011B	EYELET;ID2.2,DD3.2,-,-,BSP-	S.N.A
....5	C911	2202-000632	C-CERAMIC,MLC-AXIAL;100nF,20%,50V,Z5U,TP	5	EL801	AA60-40011B	EYELET;ID2.2,DD3.2,-,-,BSP-	S.N.A
....5	C913	2305-000665	C-FILM,MPEF;100nF,5%,63V,TP;7.5x4.0x5.0m	5	EL802	AA60-40011B	EYELET;ID2.2,DD3.2,-,-,BSP-	S.N.A
....5	C915	2401-000302	C-AL;100uF,20%,25V,GP,TP;6.3x11,5	5	EL804	AA60-40011B	EYELET;ID2.2,DD3.2,-,-,BSP-	S.N.A
....5	CN602	3711-002643	CONNECTOR-HEADER;BOX,4P,1R,2.5mm,STRAIGH	5	EY101	AA60-40011A	EYELET;ID2.0,DD2.8,-,-,BST-	S.N.A
....5	CR404S	2201-000639	C-CERAMIC,DISC;0.68nF,10%,2kV,Y5P,TP;9x5	5	EY401	AA60-40011A	EYELET;ID2.0,DD2.8,-,-,BST-	S.N.A
....5	CR405S	2305-000382	C-FILM,MPEF;4.7nF,5%,400V,TP,-,5mm	5	EY402	AA60-40011A	EYELET;ID2.0,DD2.8,-,-,BST-	S.N.A
....5	CR409S	2201-002028	C-CERAMIC,DISC;0.47nF,10%,2kV,Y5P,TP;7,5	5	EY403	AA60-40011A	EYELET;ID2.0,DD2.8,-,-,BST-	S.N.A
....5	D201	0401-000005	DIODE-SWITCHING;1N4148,100V,200mA,DO-35,	5	EY404	AA60-40011A	EYELET;ID2.0,DD2.8,-,-,BST-	S.N.A
....5	D301	0402-001105	DIODE-RECTIFIER;ERB43-04SV1,400V,1.0A,-,	5	EY405	AA60-40011A	EYELET;ID2.0,DD2.8,-,-,BST-	S.N.A
....5	D302	0402-001352	DIODE-RECTIFIER;GUF15G-20A,400V,1.5A,DO-	5	EY406	AA60-40011A	EYELET;ID2.0,DD2.8,-,-,BST-	S.N.A
....5	D303	0402-000132	DIODE-RECTIFIER;1N4004,400V,1A,DO-41,TP	5	EY407	AA60-40011A	EYELET;ID2.0,DD2.8,-,-,BST-	S.N.A
....5	D304	0402-001105	DIODE-RECTIFIER;ERB43-04SV1,400V,1.0A,-,	5	EY408	AA60-40011A	EYELET;ID2.0,DD2.8,-,-,BST-	S.N.A
....5	D305	0401-000005	DIODE-SWITCHING;1N4148,100V,200mA,DO-35,	5	EY409	AA60-40011A	EYELET;ID2.0,DD2.8,-,-,BST-	S.N.A
....5	D401	0402-001105	DIODE-RECTIFIER;ERB43-04SV1,400V,1.0A,-,	5	EY410	AA60-40011A	EYELET;ID2.0,DD2.8,-,-,BST-	S.N.A
....5	D501	0402-000254	DIODE-RECTIFIER;RGP10J,600V,1A,DO-41,TP	5	EY411	AA60-40011A	EYELET;ID2.0,DD2.8,-,-,BST-	S.N.A
....5	D502	0402-001105	DIODE-RECTIFIER;ERB43-04SV1,400V,1.0A,-,	5	EY412	AA60-40011A	EYELET;ID2.0,DD2.8,-,-,BST-	S.N.A
....5	D503	0402-001105	DIODE-RECTIFIER;ERB43-04SV1,400V,1.0A,-,	5	EY414	AA60-40011A	EYELET;ID2.0,DD2.8,-,-,BST-	S.N.A
....5	D504	0402-001105	DIODE-RECTIFIER;ERB43-04SV1,400V,1.0A,-,	5	EY415	AA60-40011A	EYELET;ID2.0,DD2.8,-,-,BST-	S.N.A
....5	D801S	0402-001111	DIODE-RECTIFIER;1N5397GP,600V,1.5A,DO-20	5	EY416	AA60-40011A	EYELET;ID2.0,DD2.8,-,-,BST-	S.N.A
....5	D802S	0402-001111	DIODE-RECTIFIER;1N5397GP,600V,1.5A,DO-20	5	EY417	AA60-40011A	EYELET;ID2.0,DD2.8,-,-,BST-	S.N.A
....5	D803	0402-000254	DIODE-RECTIFIER;RGP10J,600V,1A,DO-41,TP	5	EY419	AA60-40011A	EYELET;ID2.0,DD2.8,-,-,BST-	S.N.A
....5	D803S	0402-001111	DIODE-RECTIFIER;1N5397GP,600V,1.5A,DO-20	5	EY420	AA60-40011A	EYELET;ID2.0,DD2.8,-,-,BST-	S.N.A
....5	D804	0401-000006	DIODE-SWITCHING;BAV21,250V,250mA,DO-35,T	5	EY421	AA60-40011A	EYELET;ID2.0,DD2.8,-,-,BST-	S.N.A
....5	D804S	0402-001111	DIODE-RECTIFIER;1N5397GP,600V,1.5A,DO-20	5	EY422	AA60-40011A	EYELET;ID2.0,DD2.8,-,-,BST-	S.N.A
....5	D805	0402-001443	DIODE-RECTIFIER;EGP20K,800V,2A,DO-15,TP	5	EY423	AA60-40011A	EYELET;ID2.0,DD2.8,-,-,BST-	S.N.A
....5	D809	0402-000132	DIODE-RECTIFIER;1N4004,400V,1A,DO-41,TP	5	EY501	AA60-40011A	EYELET;ID2.0,DD2.8,-,-,BST-	S.N.A
....5	D811	0401-000005	DIODE-SWITCHING;1N4148,100V,200mA,DO-35,	5	EY801	AA60-40011A	EYELET;ID2.0,DD2.8,-,-,BST-	S.N.A
....5	D812	0402-001105	DIODE-RECTIFIER;ERB43-04SV1,400V,1.0A,-,	5	EY802	AA60-40011A	EYELET;ID2.0,DD2.8,-,-,BST-	S.N.A
....5	D901	0401-000005	DIODE-SWITCHING;1N4148,100V,200mA,DO-35,	5	EY803	AA60-40011A	EYELET;ID2.0,DD2.8,-,-,BST-	S.N.A
....5	DZ101	0403-000700	DIODE-ZENER;TZP33A,33V,31-35V,1W,DO-41,T	5	EY807	AA60-40011A	EYELET;ID2.0,DD2.8,-,-,BST-	S.N.A
....5	DZ201	0403-000720	DIODE-ZENER;MTZJ9.1B,9.1V,8.57-9.01V,500	5	EY808	AA60-40011A	EYELET;ID2.0,DD2.8,-,-,BST-	S.N.A
....5	DZ203	0403-001322	DIODE-ZENER;MTZJ8.2B,7.78-8.19V,500mW,DO	5	EY809	AA60-40011A	EYELET;ID2.0,DD2.8,-,-,BST-	S.N.A
....5	DZ204	0403-000720	DIODE-ZENER;MTZJ9.1B,9.1V,8.57-9.01V,500	5	EY810	AA60-40011A	EYELET;ID2.0,DD2.8,-,-,BST-	S.N.A
....5	DZ205	0403-000720	DIODE-ZENER;MTZJ9.1B,9.1V,8.57-9.01V,500	5	EY813	AA60-40011A	EYELET;ID2.0,DD2.8,-,-,BST-	S.N.A
....5	DZ207	0403-000720	DIODE-ZENER;MTZJ9.1B,9.1V,8.57-9.01V,500	5	EY818	AA60-40011A	EYELET;ID2.0,DD2.8,-,-,BST-	S.N.A
....5	DZ301	0403-001328	DIODE-ZENER;MTZJ22A,20.15-21.20V,500mW,DO	5	EY819	AA60-40011A	EYELET;ID2.0,DD2.8,-,-,BST-	S.N.A

Level	Loc. No.	Code No.	Description ; Specification	Remark	Level	Loc. No.	Code No.	Description ; Specification	Remark
....5	EY821	AA60-40011A	EYELET;ID2.0,OD2.8,-,BST,-	S.N.A5	R202	2001-000689	R-CARBON;390KOHM,5%,1/8W,AA,TP1.8X3.2MM	
....5	EY822	AA60-40011A	EYELET;ID2.0,OD2.8,-,BST,-	S.N.A5	R203	2001-000857	R-CARBON;560OHM,5%,1/8W,AA,TP1.8X3.2MM	
....5	EY823	AA60-40011A	EYELET;ID2.0,OD2.8,-,BST,-	S.N.A5	R204	2001-000857	R-CARBON;560OHM,5%,1/8W,AA,TP1.8X3.2MM	
....5	EY824	AA60-40011A	EYELET;ID2.0,OD2.8,-,BST,-	S.N.A5	R205	2001-000011	R-CARBON;75KOHM,5%,1/8W,AA,TP1.8X3.2MM	
....5	EY825	AA60-40011A	EYELET;ID2.0,OD2.8,-,BST,-	S.N.A5	R206	2001-000563	R-CARBON;27KOHM,5%,1/8W,AA,TP1.8X3.2MM	
....5	EY827	AA60-40011A	EYELET;ID2.0,OD2.8,-,BST,-	S.N.A5	R207	2001-000005	R-CARBON;390ohm,5%,1/8W,AA,TP1.8x3.2mm	
....5	EY828	AA60-40011A	EYELET;ID2.0,OD2.8,-,BST,-	S.N.A5	R208	2001-000591	R-CARBON;3.3KOHM,5%,1/8W,AA,TP1.8X3.2MM	
....5	EY829	AA60-40011A	EYELET;ID2.0,OD2.8,-,BST,-	S.N.A5	R209	2001-000793	R-CARBON;47OHM,5%,1/8W,AA,TP1.8X3.2MM	
....5	EY830	AA60-40011A	EYELET;ID2.0,OD2.8,-,BST,-	S.N.A5	R210	2001-000857	R-CARBON;560OHM,5%,1/8W,AA,TP1.8X3.2MM	
....5	EY833	AA60-40011A	EYELET;ID2.0,OD2.8,-,BST,-	S.N.A5	R211	2001-000281	R-CARBON;100OHM,5%,1/8W,AA,TP1.8X3.2MM	
....5	EY850	AA60-40011A	EYELET;ID2.0,OD2.8,-,BST,-	S.N.A5	R213	2001-000281	R-CARBON;100OHM,5%,1/8W,AA,TP1.8X3.2MM	
....5	EY851	AA60-40011A	EYELET;ID2.0,OD2.8,-,BST,-	S.N.A5	R214	2001-000490	R-CARBON;200OHM,5%,1/8W,AA,TP1.8X3.2MM	
....5	EY852	AA60-40011A	EYELET;ID2.0,OD2.8,-,BST,-	S.N.A5	R215	2001-000281	R-CARBON;100OHM,5%,1/8W,AA,TP1.8X3.2MM	
....5	EY853	AA60-40011A	EYELET;ID2.0,OD2.8,-,BST,-	S.N.A5	R218	2001-000008	R-CARBON;15KOHM,5%,1/8W,AA,TP1.8X3.2MM	
....5	EY860	AA60-40011A	EYELET;ID2.0,OD2.8,-,BST,-	S.N.A5	R219	2004-001914	R-METAL;39Kohm,2%,1/8W,AA,TP1.8x3.5mm	
....5	EY861	AA60-40011A	EYELET;ID2.0,OD2.8,-,BST,-	S.N.A5	R220	2001-000472	R-CARBON;2.7KOHM,5%,1/8W,AA,TP1.8X3.2MM	
....5	F801A	3602-000114	FUSE-HOLDER,-,30mohm	5	R222	2001-000947	R-CARBON;7.5KOHM,5%,1/8W,AA,TP1.8X3.2MM	
△	F801B	3602-000114	FUSE-HOLDER,-,30mohm	5	R223	2001-000281	R-CARBON;100OHM,5%,1/8W,AA,TP1.8X3.2MM	
△	FD801S	3601-001163	FUSE-AXIAL LEAD;125V,7A,-,EPOXY,2.4X7.1M	S.N.A5	R224	2001-000290	R-CARBON;10KOHM,5%,1/8W,AA,TP1.8X3.2MM	
....5	GT101	AA60-40014A	PIN-GT,ASSY;1P,-,AUTO	S.N.A5	R225	2001-001035	R-CARBON;91OHM,5%,1/8W,AA,TP1.8X3.2MM	
....5	GT301	AA60-40014A	PIN-GT,ASSY;1P,-,AUTO	S.N.A5	R227	2001-000739	R-CARBON;4.7MOHM,5%,1/8W,AA,TP1.8X3.2MM	
....5	GT302	AA60-40014A	PIN-GT,ASSY;1P,-,AUTO	S.N.A5	R228	2001-000739	R-CARBON;4.7MOHM,5%,1/8W,AA,TP1.8X3.2MM	
....5	GT401	AA60-40014A	PIN-GT,ASSY;1P,-,AUTO	S.N.A5	R230	2001-000290	R-CARBON;10KOHM,5%,1/8W,AA,TP1.8X3.2MM	
....5	GT402	AA60-40014A	PIN-GT,ASSY;1P,-,AUTO	S.N.A5	R301	2001-000016	R-CARBON(S);10HM,5%,1/2W,AA,TP2.4X6.4MM	
....5	GT501	AA60-40014A	PIN-GT,ASSY;1P,-,AUTO	S.N.A5	R302	2004-004366	R-METAL(S);1.3Kohm,1%,1/2W,AA,TP2.5x6.5	
....5	GT502	AA60-40014A	PIN-GT,ASSY;1P,-,AUTO	S.N.A5	R303	2003-002070	R-METAL OXIDE;1ohm,5%,2W,AF,TP3.9x10mm	
....5	GT801	AA60-40014A	PIN-GT,ASSY;1P,-,AUTO	S.N.A5	R304	2008-000253	R-FUSIBLE(S);0.47ohm,5%,1W,AF,TP3.9x10m	
....5	GT802	AA60-40014A	PIN-GT,ASSY;1P,-,AUTO	S.N.A5	R305	2008-000253	R-FUSIBLE(S);0.47ohm,5%,1W,AF,TP3.9x10m	
....5	GT803	AA60-40014A	PIN-GT,ASSY;1P,-,AUTO	S.N.A5	R306	2004-004366	R-METAL(S);1.3Kohm,1%,1/2W,AA,TP2.5x6.5	
....5	GT804	AA60-40014A	PIN-GT,ASSY;1P,-,AUTO	S.N.A5	R307	2001-000290	R-CARBON;10KOHM,5%,1/8W,AA,TP1.8X3.2MM	
....5	GT805	AA60-40014A	PIN-GT,ASSY;1P,-,AUTO	S.N.A5	R308	2001-001093	R-CARBON(S);2.2KOHM,5%,1/2W,AA,TP2.4X6.	
....5	GT806	AA60-40014A	PIN-GT,ASSY;1P,-,AUTO	S.N.A5	R313	2001-000258	R-CARBON;1.8KOHM,5%,1/8W,AA,TP1.8X3.2MM	
....5	GT807	AA60-40014A	PIN-GT,ASSY;1P,-,AUTO	S.N.A5	R314	2003-000537	R-METAL OXIDE(S);1Kohm,5%,1W,AF,TP3.3x9	
....5	HIC01	AA13-20004W	IC-HYBRID;-,PAP103T,SIP6PPRE-AMP,TP	5	R315	2003-002009	R-METAL OXIDE(S);390ohm,5%,2W,AF,TP3.9x	
....5	J125	2001-000016	R-CARBON(S);10HM,5%,1/2W,AA,TP2.4X6.4MM	5	R316	2003-002009	R-METAL OXIDE(S);390ohm,5%,2W,AF,TP3.9x	
....5	J137	2001-000281	R-CARBON;100OHM,5%,1/8W,AA,TP1.8X3.2MM	5	R402	2003-002178	R-METAL OXIDE(S);1Kohm,5%,2W,AG,TP3.9x1	
....5	J142	2701-000115	INDUCTOR-AXIAL;10uH,10%,3x7mm	5	R403	2003-000784	R-METAL OXIDE(S);7.5Kohm,5%,2W,AF,TP4x1	
....5	J910	3301-000287	CORE-FERRITE BEAD;AA,3.5x1.0x6.0mm,1500,	5	R405	2001-001116	R-CARBON(S);27OHM,5%,1/2W,AA,TP2.4X6.4M	
....5	L101	2701-000171	INDUCTOR-AXIAL;330nH,10%,2.5x3.4mm	5	R407	2003-002209	R-METAL OXIDE(S);47Kohm,5%,2W,AG,TP3.9X	
....5	L102	2701-000159	INDUCTOR-AXIAL;22uH,10%,4.2x9.8mm	5	R408	2001-001037	R-CARBON(S);0.39OHM,5%,1/2W,AA,TP2.4X6.	
....5	L103	2701-000114	INDUCTOR-AXIAL;10uH,10%,2.5x3.4mm	5	R409	2001-000022	R-CARBON(S);330HM,5%,1/2W,AA,TP2.4X6.4M	
....5	L104	2701-000168	INDUCTOR-AXIAL;3.3uH,5%,2.5x3.4mm	5	R411	2001-001114	R-CARBON(S);270OHM,5%,1/2W,AA,TP2.4X6.4	
....5	L201	2701-000159	INDUCTOR-AXIAL;22uH,10%,4.2x9.8mm	5	R413	2003-001035	R-METAL OXIDE(S);27ohm,5%,2W,AF,TP3.9x1	
....5	L202	2701-000114	INDUCTOR-AXIAL;10uH,10%,2.5x3.4mm	5	R414	2001-001078	R-CARBON(S);15KOHM,5%,1/2W,AA,TP2.4X6.4	
....5	L204	2701-000184	INDUCTOR-AXIAL;4.7uH,10%,2.5x3.4mm	5	R420	2008-001110	R-FUSIBLE(S);68ohm,5%,2W,AG,TP3.9X12mm	
....5	L205	2701-000159	INDUCTOR-AXIAL;22uH,10%,4.2x9.8mm	5	R421	2008-001114	R-FUSIBLE(S);1.5ohm,5%,2W,AG,TP3.9x12mm	
....5	L301	2701-000142	INDUCTOR-AXIAL;1uH,10%,2.5x3.4mm	5	R423	2004-001373	R-METAL(S);100Kohm,1%,1/2W,AA,TP2.4x6.4	
△	L302	2701-000142	INDUCTOR-AXIAL;1uH,10%,2.5x3.4mm	5	R424	2004-001402	R-METAL(S);6.8Kohm,1%,1/2W,AA,TP2.4x6.4	
....5	L403	2901-000297	FILTER-EMI ON BOARD;-,3A,-,3.5x5,TP-	5	R501	2001-000281	R-CARBON;100OHM,5%,1/8W,AA,TP1.8X3.2MM	
....5	L404	2701-000142	INDUCTOR-AXIAL;1uH,10%,2.5x3.4mm	5	R501H	2002-001008	R-COMPOSITION;1.8Kohm,10%,1/2W,AA,TP3.7	
....5	L405	2701-000159	INDUCTOR-AXIAL;22uH,10%,4.2x9.8mm	5	R502	2001-000281	R-CARBON;100OHM,5%,1/8W,AA,TP1.8X3.2MM	
....5	L702	2701-000184	INDUCTOR-AXIAL;4.7uH,10%,2.5x3.4mm	5	R502H	2002-001008	R-COMPOSITION;1.8Kohm,10%,1/2W,AA,TP3.7	
....5	L703	2701-000184	INDUCTOR-AXIAL;4.7uH,10%,2.5x3.4mm	5	R503	2002-001008	R-COMPOSITION;1.8Kohm,10%,1/2W,AA,TP3.7	
....5	L704	2701-000184	INDUCTOR-AXIAL;4.7uH,10%,2.5x3.4mm	5	R504	2001-001062	R-CARBON(S);10MOHM,5%,1/2W,AA,TP2.4X6.4	
....5	L706	2701-000184	INDUCTOR-AXIAL;4.7uH,10%,2.5x3.4mm	5	R505	2008-001011	R-FUSIBLE(S);0.18ohm,10%,2W,AF,TP3.9x10	
....5	L802	3301-000287	CORE-FERRITE BEAD;AA,3.5x1.0x6.0mm,1500,	5	R506	2001-000281	R-CARBON;100OHM,5%,1/8W,AA,TP1.8X3.2MM	
....5	L803	3301-000287	CORE-FERRITE BEAD;AA,3.5x1.0x6.0mm,1500,	5	R510	2001-000281	R-CARBON;100OHM,5%,1/8W,AA,TP1.8X3.2MM	
....5	L804	2701-001030	INDUCTOR-AXIAL;43uH,10%,5x14mm	5	R511	2001-000281	R-CARBON;100OHM,5%,1/8W,AA,TP1.8X3.2MM	
....5	L806	2901-000297	FILTER-EMI ON BOARD;-,3A,-,3.5x5,TP-	5	R512	2001-000281	R-CARBON;100OHM,5%,1/8W,AA,TP1.8X3.2MM	
....5	L807	2701-001030	INDUCTOR-AXIAL;43uH,10%,5x14mm	5	R601	2001-000878	R-CARBON;6.2KOHM,5%,1/8W,AA,TP1.8X3.2MM	
....5	L808	2901-000297	FILTER-EMI ON BOARD;-,3A,-,3.5x5,TP-	5	R602	2001-000591	R-CARBON;3.3KOHM,5%,1/8W,AA,TP1.8X3.2MM	
....5	L902	2701-000114	INDUCTOR-AXIAL;10uH,10%,2.5x3.4mm	5	R605	2001-000591	R-CARBON;3.3KOHM,5%,1/8W,AA,TP1.8X3.2MM	
....5	L903	2701-000158	INDUCTOR-AXIAL;22uH,10%,2.5x3.4mm	5	R607	2001-000878	R-CARBON;6.2KOHM,5%,1/8W,AA,TP1.8X3.2MM	
....5	L904	2701-000114	INDUCTOR-AXIAL;10uH,10%,2.5x3.4mm	5	R618	2001-000019	R-CARBON(S);100HM,5%,1/2W,AA,TP2.4X6.4M	
....5	PCB	AA41-00131H	PCB-MAIN;CS21D8,FR-1,1L,H,1.6T,245X245,K	S.N.A5	R619	2001-000019	R-CARBON(S);100HM,5%,1/2W,AA,TP2.4X6.4M	
....5	Q201	0501-000283	TR-SMALL SIGNAL;KSA539,PNP,400mW,TO-92,T	5	R701	2001-000969	R-CARBON;75OHM,5%,1/8W,AA,TP1.8X3.2MM	
....5	Q202	0501-000389	TR-SMALL SIGNAL;KSC815,NPN,400mW,TO-92,T	5	R702	2001-000969	R-CARBON;75OHM,5%,1/8W,AA,TP1.8X3.2MM	
....5	Q205	0501-000389	TR-SMALL SIGNAL;KSC815,NPN,400mW,TO-92,T	5	R708	2001-000281	R-CARBON;100OHM,5%,1/8W,AA,TP1.8X3.2MM	
....5	Q301	0501-000283	TR-SMALL SIGNAL;KSA539,PNP,400mW,TO-92,T	5	R713	2001-000857	R-CARBON;560OHM,5%,1/8W,AA,TP1.8X3.2MM	
....5	Q402	0501-000369	TR-SMALL SIGNAL;KSC2331-Y,NPN,1000mW,TO-	5	R715	2001-000857	R-CARBON;560OHM,5%,1/8W,AA,TP1.8X3.2MM	
....5	Q701	0501-000389	TR-SMALL SIGNAL;KSC815,NPN,400mW,TO-92,T	5	R717	2001-000429	R-CARBON;1KOHM,5%,1/8W,AA,TP1.8X3.2MM	
....5	Q901	0501-000283	TR-SMALL SIGNAL;KSA539,PNP,400mW,TO-92,T	5	R718	2001-000281	R-CARBON;100OHM,5%,1/8W,AA,TP1.8X3.2MM	
....5	Q903	0501-000389	TR-SMALL SIGNAL;KSC815,NPN,400mW,TO-92,T	5	R719	2001-000969	R-CARBON;75OHM,5%,1/8W,AA,TP1.8X3.2MM	
....5	Q905	0501-000389	TR-SMALL SIGNAL;KSC815,NPN,400mW,TO-92,T	5	R720	2001-000969	R-CARBON;75OHM,5%,1/8W,AA,TP1.8X3.2MM	
....5	R108	2001-000947	R-CARBON;7.5KOHM,5%,1/8W,AA,TP1.8X3.2MM	5	R721	2001-000734	R-CARBON;4.7KOHM,5%,1/8W,AA,TP1.8X3.2MM	
....5	R109	2001-000786	R-CARBON;47KOHM,5%,1/8W,AA,TP1.8X3.2MM	5	R801	2003-002171	R-METAL OXIDE(S);150ohm,5%,2W,AG,TP3.9x	
....5	R110	2001-000924	R-CARBON;680OHM,5%,1/8W,AA,TP1.8X3.2MM	5	R806	2001-001108	R-CARBON(S);22KOHM,5%,1/2W,AA,TP2.4X6.4	

Level	Loc. No.	Code No.	Description ; Specification	Remark
....5	R808	2001-001138	R-CARBON(S);390OHM,5%,1/2W,AA,TP2.4X6.4	
....5	R809	2001-001150	R-CARBON(S);470KOHM,5%,1/2W,AA,TP2.4X6.	
....5	R810	2001-001150	R-CARBON(S);470KOHM,5%,1/2W,AA,TP2.4X6.	
....5	R811	2003-002239	R-METAL OXIDE(S);100KOHM,5%,2W,AF,TP3.9	
....5	R812	2003-002239	R-METAL OXIDE(S);100KOHM,5%,2W,AF,TP3.9	
....5	R814	2003-002228	R-METAL OXIDE(S);0.47ohm,5%,2W,AG,TP3.9	
....5	R815	2003-002228	R-METAL OXIDE(S);0.47ohm,5%,2W,AG,TP3.9	
....5	R817	2004-004089	R-METAL(S);123Kohm,1%,1/2W,AA,TP2.5x6.5	
....5	R823	2001-000037	R-CARBON(S);330OHM,5%,1/2W,AA,TP2.4X6.4	
....5	R824	2008-000294	R-FUSIBLE(S);33ohm,5%,2W,AF,TP3.9x10mm	
....5	R825	2008-000266	R-FUSIBLE(S);1ohm,5%,2W,AF,TP3.9x10mm	
....5	R827	2003-000652	R-METAL OXIDE(S);330ohm,5%,2W,AF,TP4x12	
....5	R828	2001-000290	R-CARBON;10KOHM,5%,1/8W,AA,TP1.8X3.2MM	
....5	R829	2001-000563	R-CARBON;27KOHM,5%,1/8W,AA,TP1.8X3.2MM	
....5	R831	2001-001088	R-CARBON(S);1KOHM,5%,1/2W,AA,TP2.4X6.4M	
....5	R834	2003-001040	R-METAL OXIDE(S);47Kohm,5%,2W,AF,TP3.9x	
....5	R840	2001-001122	R-CARBON(S);3.9KOHM,5%,1/2W,AA,TP2.4X6.	
....5	R841	2001-000734	R-CARBON;4.7KOHM,5%,1/8W,AA,TP1.8X3.2MM	
....5	R843	2001-000019	R-CARBON(S);100HM,5%,1/2W,AA,TP2.4X6.4M	
....5	R901	2001-000472	R-CARBON;2.7KOHM,5%,1/8W,AA,TP1.8X3.2MM	
....5	R902	2001-000241	R-CARBON;1.5KOHM,5%,1/8W,AA,TP1.8X3.2MM	
....5	R903	2001-000472	R-CARBON;2.7KOHM,5%,1/8W,AA,TP1.8X3.2MM	
....5	R904	2001-000241	R-CARBON;1.5KOHM,5%,1/8W,AA,TP1.8X3.2MM	
....5	R905	2001-000005	R-CARBON;390ohm,5%,1/8W,AA,TP1.8x3.2mm	
....5	R906	2001-000005	R-CARBON;390ohm,5%,1/8W,AA,TP1.8x3.2mm	
....5	R907	2001-000472	R-CARBON;2.7KOHM,5%,1/8W,AA,TP1.8X3.2MM	
....5	R908	2001-000472	R-CARBON;2.7KOHM,5%,1/8W,AA,TP1.8X3.2MM	
....5	R909	2001-000281	R-CARBON;100OHM,5%,1/8W,AA,TP1.8X3.2MM	
....5	R910	2001-000290	R-CARBON;10KOHM,5%,1/8W,AA,TP1.8X3.2MM	
....5	R911	2001-000281	R-CARBON;100OHM,5%,1/8W,AA,TP1.8X3.2MM	
....5	R912	2001-000281	R-CARBON;100OHM,5%,1/8W,AA,TP1.8X3.2MM	
....5	R913	2001-000281	R-CARBON;100OHM,5%,1/8W,AA,TP1.8X3.2MM	
....5	R914	2001-000281	R-CARBON;100OHM,5%,1/8W,AA,TP1.8X3.2MM	
....5	R915	2001-000924	R-CARBON;680OHM,5%,1/8W,AA,TP1.8X3.2MM	
....5	R916	2001-000449	R-CARBON;2.2KOHM,5%,1/8W,AA,TP1.8X3.2MM	
....5	R917	2001-000449	R-CARBON;2.2KOHM,5%,1/8W,AA,TP1.8X3.2MM	
....5	R918	2001-000429	R-CARBON;1KOHM,5%,1/8W,AA,TP1.8X3.2MM	
....5	R919	2001-000290	R-CARBON;10KOHM,5%,1/8W,AA,TP1.8X3.2MM	
....5	R920	2001-000290	R-CARBON;10KOHM,5%,1/8W,AA,TP1.8X3.2MM	
....5	R921	2001-000290	R-CARBON;10KOHM,5%,1/8W,AA,TP1.8X3.2MM	
....5	R922	2001-000290	R-CARBON;10KOHM,5%,1/8W,AA,TP1.8X3.2MM	
....5	R923	2001-000273	R-CARBON;100KOHM,5%,1/8W,AA,TP1.8X3.2MM	
....5	R925	2001-000734	R-CARBON;4.7KOHM,5%,1/8W,AA,TP1.8X3.2MM	
....5	R926	2001-000429	R-CARBON;1KOHM,5%,1/8W,AA,TP1.8X3.2MM	
....5	R927	2001-000793	R-CARBON;470HM,5%,1/8W,AA,TP1.8X3.2MM	
....5	R929	2001-000563	R-CARBON;27KOHM,5%,1/8W,AA,TP1.8X3.2MM	
....5	R933	2001-000281	R-CARBON;100OHM,5%,1/8W,AA,TP1.8X3.2MM	
....5	R934	2001-000281	R-CARBON;100OHM,5%,1/8W,AA,TP1.8X3.2MM	
....5	RW701	2011-001133	R-NETWORK;33K/24K/75x3,5%,1/8W,X,SIP6P,	
△	RX801S	2002-001011	R-COMPOSITION;3.3Mohm,5%,1/2W,AA,TP3.7x	
△	RY801S	2002-001012	R-COMPOSITION;8.2Mohm,5%,1/2W,AA,TP3.7x	
....5	SW901	3404-000244	SWITCH-TACT;15V,20mA,90-170gf,7.5x7mm,SP	
....5	SW902	3404-000244	SWITCH-TACT;15V,20mA,90-170gf,7.5x7mm,SP	
....5	SW903	3404-000244	SWITCH-TACT;15V,20mA,90-170gf,7.5x7mm,SP	
....5	SW904	3404-000244	SWITCH-TACT;15V,20mA,90-170gf,7.5x7mm,SP	
....5	SW905	3404-000244	SWITCH-TACT;15V,20mA,90-170gf,7.5x7mm,SP	
△	VX801S	1405-000187	VARISTOR;750V,1250A,12.5x7mm,TP	
....5	X901	2801-003937	CRYSTAL-UNIT;12MHz,25ppm,28-AAM,30pF;300	
....5	Z202	2903-001240	FILTER-CERAMIC,TR,5.5MHz,-,28dB,-,TP-	
....5	Z203	2903-001246	FILTER-CERAMIC,TR,5.5MHz,-,TP;multi.	
....3	AA65-30111A	CLAMP-WIRE;ALL MODEL,NYLON,VO,-,WHT,1T 1	S.N.A	
....3	0202-000187	SOLDER-WIRE FLUX;-RS60S,D1.2,63Sn/37Pb	S.N.A	
....3	AA39-20010D	LEAD CONNECTOR-ASSY;1PYFH800-01,S,400,		
....3	AA65-30008A	CLAMP-CORD;-PE,HB,-,BLK,-	S.N.A	
....3	AA65-30009A	CLAMP-FBT;-ABS,VO,-,BLK,-	S.N.A	
....2	AA95-01723B	ASSY SUB-A/V SIDE;21D8,KS1APAL,MONO,AA95	S.N.A	
....3	CN702	AA39-20461C LEAD CONNECTOR-ASSY;11PYBNH250-11,6709		
....3	JE601	3722-000143 JACK-PHONE(1PVERI),3.4PI,AG,BLK,NO		
....3	JR01	3722-001282 JACK-PIN;2P(3P),3.2mm,AU,BLK,-		
....3	AA97-07206A	ASSY AUTO-A/V SIDE;21D8,KS1A,PAL,AA95-01	S.N.A	
....4	CE01	2401-001840 C-AL;100uF,20%,16V,GPTP6.3x11,5		
....4	CE04	2202-000121 C-CERAMIC,MLC-AXIAL;100pf,10%,50V,Y5P,TP		
....4	CE07	2202-000222 C-CERAMIC,MLC-AXIAL;3.3nf,20%,16V,Y5P,TP		
....4	LE01	2701-000158 INDUCTOR-AXIAL;22uH,10%,2.5x3.4mm		
....4	LE04	2701-000114 INDUCTOR-AXIAL;10uH,10%,2.5x3.4mm		
....4	PCB	AA41-00567A PCB-SIDE AV-CS21D8,FR-1,1LA,1.6T,245X24	S.N.A	

Level	Loc. No.	Code No.	Description ; Specification	Remark
....4	RE01	2001-001153	R-CARBON(S);470HM,5%,1/2W,AA,TP2.4X6.4M	
....4	RE02A	2001-001153	R-CARBON(S);470HM,5%,1/2W,AA,TP2.4X6.4M	
....3	0202-000187	SOLDER-WIRE FLUX;-RS60S,D1.2,63Sn/37Pb	S.N.A	
....2	AA96-20109B	ASSY-POWER,CORD;-CP2/NQ(4.0),H/C250,KKP	S.N.A	
....3	3811-000401	WIRE-PVC CU;BCWA,300V,ROLL,17/0.16mm,#22	S.N.A	
....3	AA39-10006X	POWER-CORD;-KKP419C,KLCE-2F2.286MT,3P,		
....3	AA61-20284A	HOLDER;P-CORD,PP,-,-,BLK,VO,KE-002	S.N.A	

ASSY COVER FRONT

1	*	AA90-02474M	ASSY COVER FRONT;CZ21D8TX/BOB	S.N.A
....2	AV+CF	6003-001268	SCREW-TAPTITE;TH,+B,M4,0L12.0,ZPC(YEL)	S.N.A
....2	CB+CF	AA60-10050T	SCREW-TAPPING;-SWRCH18A,M4,L20,RH,+2S,	S.N.A
....2	CRT+CF	AA60-10050R	SCREW-ASSY;-SWRCH18A,M5,L31.5,HH,+WC,-	S.N.A
....2		AA63-60004K	SPACER-GUM,CRT;NTR RUBBER,-,-,BLK,T2	S.N.A
....2		AA65-30107A	CLAMP-D,COIL;20-22 INCH,NYLON 66,V2,-,NT	S.N.A
....2		AA91-00589Q	ASSY CABINET FRONT;21D8 GUJU PET-X,(SPK	
....3	KC+CF	6003-001026	SCREW-TAPTITE;RH,+B,M4,L15,ZPC(BLK),SWR	S.N.A
....3	POWER	AA61-60003J	SPRING-CS;-SUS304,-,OD6,N7,OD6,-,-,-	S.N.A
....3	SPK+CF	6003-001019	SCREW-TAPTITE;RH,+B,M4,L12,ZPC(BLK),SWR	S.N.A
....3	WIN+CF	6003-001026	SCREW-TAPTITE;RH,+B,M4,L15,ZPC(BLK),SWR	S.N.A
....3		AA64-01426B	WINDOW REMOCON;21D8,PC,-,-,VOILET,-	S.N.A
....3		AA64-01425F	KNOB POWER;21D8,ABS,HB,G3676,SV012P	
....3		AA64-70123B	BADGE-BRAND;-AL,-,L=50,SAMSUNG,SILVER	S.N.A
....3		AA65-30105A	CLAMP-WIRE;ALL MODEL,NYLON 66,V2,-,NTR,1	S.N.A
....3		AA96-10146C	ASSY SPEAKER;-8ohm,5W,3001-000274,350/7	S.N.A
....4		3001-000274	SPEAKER;5W,8ohm,90dB,160Hz	
....4		AA39-20505M	LEAD CONNECTOR-ASSY;4PYSH025-04,REC,35	
....3		AA64-01423W	CABINET-FRONT;21D8,HIPS,HB,G4309,SV012P	S.N.A
....3		AA61-40113A	STOPPER-PCB;5011H,HIPS,-,-,HB,NTR,-	S.N.A
....3		AA64-01011B	INDICATOR LED;29D8,ACRYL,-,CLR,-,-,-	
....3		AA64-01012H	KNOB CONTROL;21.29D8,ABS,HB,G3676,SV012P	
....3		AA64-01309K	INLAY AV;PS SHEET,21D8,T0.3,-,-,S15A M	S.N.A

ASSY COVER REAR

1	*	AA90-02398M	ASSY COVER REAR;CZ21D8TX/BOB	S.N.A
....2	BACK	AA60-00091A	SPACER-FELT;-FELT,150X10,-,-,BLK,T0.35,	S.N.A
....2		AA64-01422J	CABINET BACK;21D8,HIPS,V2,G4309	
....2		AA65-30008A	CLAMP-CORD;-PE,HB,-,BLK,-	S.N.A

ASSY CPT

1	*	AA91-03045A	ASSY CPT;CZ21D8TX/BOB	S.N.A
....2		AA91-02170B	ASSY CPT;A51KQJ63X(H),21,+380MG,BARE	S.N.A
....3		AA63-60028A	SPACER-DY;-NEOPRENE,-,-,BLK,-,-,VO W1	S.N.A
....3		AA27-50005K	DEFLECTION-YOKE;-CDY-S2192M,ST-3,A51KQJ	
△		AA27-00002A	MAGNET-CONVERGENCE;-JH291-SC-OB,29.1MM	
....3		AA03-10024T	CRT-COLOR;A51KQJ63X(H),+380MG,2.28mm,H,22.	
....2		AA98-70014C	ASSY-TBC,WIRE(P);-21',NTSC,1P,TV1	S.N.A
....2		AA27-00143A	COIL DEGAUSSING;-35T,90HM,21INCH,220V,20	

ASSY ACCESSORY

1	*	AA92-03796W	ASSY ACCESSORY;CZ21D8TX/BOB	S.N.A
....2		AA59-00104N	REMOCON;TM59,SIM806E,29,L/GRAY,TTX/MONO	
....2		AA68-01614A	MANUAL USERS;-BUL,W/P100G,1COLOR,B5,KS1A	S.N.A

7-11 CS21S4WX/BWT

ASSY CHASSIS

Level	Loc. No.	Code No.	Description ; Specification	Remark
1	*	AA91-016970	ASSY CHASSIS;CS21S4WX/BWT	
..2		AA94-07596U	ASSY PCB MAIN;CS21S4WX,KS1A	S.N.A
...3	C801	2401-002213	C-AL;150uF,+30-10%,450V,GPBK,25x35	
...3	C901	2305-000412	C-FILM,MPEF;470nF,5%,63V,TP,-,5mm	
...3	CN501	AA39-20620C	LEAD CONNECTOR-ASSY;9P,YBNH250-09,S,500	
...3	D-COIL	AA65-30107A	CLAMP-D,COIL;20-22 INCH,NYLON 66,V2,-,NT	S.N.A
△...3	D806	AA96-00243D	ASSY H/S,-,BRIDGE,AA62-00045A,D06U20S,DR	S.N.A
...4		0205-000129	GREASE-SILICON;SC102,JAPAN	S.N.A
...4		0402-001374	DIODE-RECTIFIER;FFPF06U20S,200V6A,TO-22	
...4		6003-000335	SCREW-TAPTITE;RH,+2S,M3,L8,ZPC(YEL),SWR	S.N.A
...4		AA62-00045A	HEAT SINK-PS,-,T1.0,-,DREAM,-,-,-,-	S.N.A
△...3	IC201S	AA09-00250A	IC MICOM;TDA9381/N2/3,SPM-802EEN1,64P3.	
...3	IC301	AA96-00244A	ASSY H/S,-,AA62-00046A,LA7840,-	S.N.A
...4		0205-000129	GREASE-SILICON;SC102,JAPAN	S.N.A
...4		1204-001483	IC-VERTICAL PROCESS0;LA7840,SIP;7P;708MI	
...4		6003-000335	SCREW-TAPTITE;RH,+2S,M3,L8,ZPC(YEL),SWR	S.N.A
...4		AA62-00046A	HEAT SINK-PS,-,T1.0,-,D1(DREAM) 60X25X	S.N.A
...3	IC601	AA96-00244G	ASSY H/S,-,AUDIO,AA62-00046A,TDA8944J,BR	S.N.A
...4		AA62-00046A	HEAT SINK-PS,-,T1.0,-,D1(DREAM) 60X25X	S.N.A
...4		AA61-10162B	BRACKET-IC,-,SBHG-1,T1.0,-,-,100	S.N.A
...4		6003-000335	SCREW-TAPTITE;RH,+2S,M3,L8,ZPC(YEL),SWR	S.N.A
...4		1201-001741	IC-AUDIO AMP;TDA8944J,DBS,17P;937MIL,DUA	
...4		0205-000129	GREASE-SILICON;SC102,JAPAN	S.N.A
...3	JS701	3722-001138	JACK-PIN;6P3,4mm,SN,BLK,#16-22	
△...3	Q401	0502-001160	TR-POWER;2SD2499,NPN,50000mW,TO-3PBK,8-	
...3	R600	2006-001020	R-CEMENT;3.9OHM,5%,5W,C,J,TP;10.5X14X23.5	
△...3	T444S	AA26-00065A	TRANS FBT,-,FSV-14A004C(S),14-22,125V	
△...3	T801S	AA26-00164A	TRANS SWITCHING;EER3942,CS21S4,CIS,160V-	
...3		AA65-30111A	CLAMP-WIRE-ALL MODEL,NYLON,VO,-,WHT,1T 1	S.N.A
...3		AA95-01750A	ASSY SUB-PCB A2 BILINGUAL;20S4,C5,15A9,K	S.N.A
...4	CN702	AA39-00095A	LEAD CONNECTOR-ASSY;3(2)P,YBNH250-03,35	
...4	CN705	3711-002708	CONNECTOR-HEADER;NOWALL,10P,1R,2.5mm,ANG	
...4	CN706	3711-002706	CONNECTOR-HEADER;NOWALL,8P1R,2.5mm,ANGL	
...4	CN707	AA39-00276A	LEAD CONNECTOR ASSY;UL1185#26,UL/CSA,6P	
...4	ICS01	1204-001817	IC-SOUND PROCESSOR;MSP3400D-C5-G4-LH,DIP	
...4	XS01	2801-003903	CRYSTAL-UNIT;18.432MHz,25ppm,28-AAAM,12pF	
...4		AA97-05523A	ASSY AUTO-SUB;20S4,C5,15A9,K8,S1,KS1A,A2	S.N.A
...5	CS01	2201-000180	C-CERAMIC,DISC;10nF,10%,50V,Y5V,TP;7x3,5	
...5	CS03	2401-002594	C-AL;220uF,20%,16V,GP;TP8x11.5,5	
...5	CS06	2401-001026	C-AL;3.3UF,20%,50V,GP;TP5x11,5	
...5	CS07	2201-000982	C-CERAMIC,DISC;10nF,+80-20% 50V,Y5V,TP;4	
...5	CS09	2301-000111	C-FILM,PEF;1.8nF,5%,50V,TP;6.5x3.0x5.5mm	
...5	CS11	2401-000486	C-AL;10uF,20%,50V,GP;TP6.3x7mm,5	
...5	CS12	2401-000486	C-AL;10uF,20%,50V,GP;TP6.3x7mm,5	
...5	CS13	2401-000486	C-AL;10uF,20%,50V,GP;TP6.3x7mm,5	
...5	CS14	2401-000486	C-AL;10uF,20%,50V,GP;TP6.3x7mm,5	
...5	CS15	2301-000383	C-FILM,PEF;10nF,5%,50V,TP;6x7x3.2mm,5mm	
...5	CS16	2401-002144	C-AL;47uF,20%,16V,GP;TP5x11,5	
...5	CS17	2305-000665	C-FILM,MPEF;100nF,5%,63V,TP;7.5x4.0x5.0m	
...5	CS18	2401-001026	C-AL;3.3UF,20%,50V,GP;TP5x11,5	
...5	CS19	2401-000027	C-AL;4.7uF,20%,50V,GP;TP5x11,5	
...5	CS20	2201-000472	C-CERAMIC,DISC;0.33nF,5%,50V,SL;TP8.5x3	
...5	CS21	2401-000027	C-AL;4.7uF,20%,50V,GP;TP5x11,5	
...5	CS22	2201-000472	C-CERAMIC,DISC;0.33nF,5%,50V,SL;TP8.5x3	
...5	CS23	2305-000665	C-FILM,MPEF;100nF,5%,63V,TP;7.5x4.0x5.0m	
...5	CS24	2401-000480	C-AL;10uF,20%,50V,GP;TP5x11,5	
...5	CS25	2401-002144	C-AL;47uF,20%,16V,GP;TP5x11,5	
...5	CS26	2201-000112	C-CERAMIC,DISC;1.5nF,10%,50V,Y5V,TP;5x3.	
...5	CS27	2202-000121	C-CERAMIC,MLC-AXIAL;100pF,10%,50V,Y5P;TP	
...5	CS28	2202-000286	C-CERAMIC,MLC-AXIAL;56pF,5%,50V,SL;TP,1.	
...5	CS29	2201-000304	C-CERAMIC,DISC;0.001nF,0.25pF;50V,NPO,TP	
...5	CS30	2201-000304	C-CERAMIC,DISC;0.001nF,0.25pF;50V,NPO,TP	
...5	CS35	2301-000111	C-FILM,PEF;1.8nF,5%,50V,TP;6.5x3.0x5.5mm	
...5	ICS02	1203-000515	IC-VOL DETECTOR;7042,TO-92,3P;177MIL,PL	
...5	LS01	2701-000184	INDUCTOR-AXIAL;4.7uH,10%,2.5x3.4mm	
...5	LS03	2701-000114	INDUCTOR-AXIAL;10uH,10%,2.5x3.4mm	
...5	LS04	2701-000184	INDUCTOR-AXIAL;4.7uH,10%,2.5x3.4mm	
...5	PCB	AA41-00139A	PCB-STEREO/LINE-ST/MTS-M;DREAM-1,1L,FR-1	S.N.A
...5	RS01	2001-000429	R-CARBON;1KOHM,5%,1/8W,AA,TP,1.8X3.2MM	

Level	Loc. No.	Code No.	Description ; Specification	Remark
...5	RS02	2001-000281	R-CARBON;1000HM,5%,1/8W,AA,TP,1.8X3.2MM	
...5	RS03	2001-000281	R-CARBON;1000HM,5%,1/8W,AA,TP,1.8X3.2MM	
...5	RS04	2001-000290	R-CARBON;10KOHM,5%,1/8W,AA,TP,1.8X3.2MM	
...5	RS06	2001-000281	R-CARBON;1000HM,5%,1/8W,AA,TP,1.8X3.2MM	
...5	RS07	2001-000281	R-CARBON;1000HM,5%,1/8W,AA,TP,1.8X3.2MM	
...5	RS08	2001-000780	R-CARBON;4700HM,5%,1/8W,AA,TP,1.8X3.2MM	
...5	RS09	2001-000780	R-CARBON;4700HM,5%,1/8W,AA,TP,1.8X3.2MM	
...5	RS14	2001-000515	R-CARBON;2200HM,5%,1/8W,AA,TP,1.8X3.2MM	
...5	RS15	2001-000429	R-CARBON;1KOHM,5%,1/8W,AA,TP,1.8X3.2MM	
...4		0202-000187	SOLDER-WIRE FLUX,-,RS60S,D1.2,63Sn/37Pb	S.N.A
...3		0202-000187	SOLDER-WIRE FLUX,-,RS60S,D1.2,63Sn/37Pb	S.N.A
...3		AA97-03394A	ASSY ROBOT-MAIN;CS21S4WX,KS1A	S.N.A
...4	CN701	3711-000628	CONNECTOR-HEADER,-,11P,1R,2.5mm,STRAIGHT	
△...4	CR402S	2306-000188	C-FILM,MPPF;330nF,5%,400V,TP;26x19.5x11,	
△...4	CR410S	2303-001015	C-FILM,PPF;5.5nF,5%,1.6kV,TP;29x9.5x17.2	
△...4	CX801S	2306-000318	C-FILM,MPPF;220nF,20%,250V,TP,-,22.5mm	
△...4	CY801S	2201-000446	C-CERAMIC,DISC;3.3nF,20%,400V,Y5U,TP,15x	
△...4	FP801S	3601-000281	FUSE-CARTRIDGE;250V,4A,TIME-LAG,GLASS,5.	
...4	IC101	1204-001583	IC-IF CIRCUIT;U4468B,DIP,16P,-,PLASTIC,5	
...4	IC501	AA96-50311A	ASSY H/S,-,VIDEO,AA62-30175D,TA66107Q,-	S.N.A
...5		1201-001159	IC-VIDEO AMP;6107,ZSIP9P,-,SINGLE,-,PLA	
...5		6003-000334	SCREW-TAPTITE;RH,+2S,M3,L6,ZPC(YEL),SWR	S.N.A
...5		AA62-30175D	HEAT-SINK,PS,-,SECC,T1.0,-,33X15X30 FT-2	S.N.A
△...4	IC801S	AA96-00242A	ASSY H/S,-,AA62-30186B,KA50Q765R,-	S.N.A
...5		0205-000129	GREASE-SILICON;SC102,JAPAN	S.N.A
...5		1203-001932	IC-PWM CONTROLLER;500765,TO-220F,5P;185M	
...5		6003-000333	SCREW-TAPTITE;RH,+2S,M3,L10,ZPC(YEL),SW	S.N.A
...5		AA62-30186B	HEAT SINK-ES,-,SILVER,171J + COVER-H	S.N.A
△...4	IC802	AA96-00245A	ASSY H/S,-,AA62-00055A,KA7632,-	S.N.A
...5		1203-001939	IC-POSIXED REG.;7632,SIP,10P,-,PLASTI	
...5		6003-000334	SCREW-TAPTITE;RH,+2S,M3,L6,ZPC(YEL),SWR	S.N.A
...5		AA62-00055A	HEAT SINK-PS,-,T1.0,-,35*15*25,D1,-,-	S.N.A
...4	IC902	1103-001200	IC-EEPROM;M24C08-WBNG,1024x8Bit,DIP,8P	
...4	LD901	AA96-00555A	ASSY LED GUIDE,-,UJEX-LD-030,GREEN	S.N.A
△...4	LR401S	AA27-00053A	COIL-LINEARLITY,-,193uH,DR10X10 C.4.35,7	
△...4	LX801S	AA29-30001B	FILTER-LINE NOISE,-,27mH,-,-,-	
△...4	NT802S	1404-001045	THERMISTOR-NTC;4.7ohm,15%,2900K,35.0mW,T	
△...4	P803S	1404-001156	THERMISTOR-PTC;90HM,+30%-20%,220VRMS,27	
△...4	PC801S	0604-001032	PHOTO-COUPLER;TR,170-260%,300mW,DIP,4-ST	
...4	RM901	AA32-00009A	MODULE REMOCON;FRP-3521H3,38KHZ,940NM,MIE	
△...4	SF101S	2904-000302	FILTER-SAW AV;38.9MHz,SIP5K,ST,15.4dB,B/	
△...4	SF102S	2904-001024	FILTER-SAW AV;38.9MHz,SIP5K,TP,18.3dB,PA	
△...4	SW801S	3403-001107	SWITCH-PUSH;250V,5A,DPST,-,KDC-A04	
△...4	T401	AA26-50001B	TRANS-HORIZ.DRIVE,-,-,7.1mH,-,102uH,	
△...4	TU01S	AA40-00077A	TUNER;TECC0949PL35A(S),PAL,181CH,38.9MHZ	
△...4	V999S	3704-001105	SOCKET-CRT;11P;20P,26.5PIN,-,-	
...4		AA97-04772A	ASSY AUTO-MAIN;CS21S4WX,KS1A	S.N.A
...5	C101	2401-001101	C-AL;330uF,20%,16V,GP;TP8x11.5,5	
...5	C102	2202-000279	C-CERAMIC,MLC-AXIAL;47pF,5%,50V,SL,TP,3.	
...5	C103	2305-000665	C-FILM,MPEF;100nF,5%,63V,TP;7.5x4.0x5.0m	
...5	C105	2202-000127	C-CERAMIC,MLC-AXIAL;10nF,+80-20%,25V,Y5V	
...5	C106	2202-000127	C-CERAMIC,MLC-AXIAL;10nF,+80-20%,25V,Y5V	
...5	C109	2301-000224	C-FILM,PEF;22nF,5%,50V,TP;7.4x3.9x13mm,5	
...5	C110	2401-000962	C-AL;22uF,20%,50V,GP;TP5x11,5	
...5	C111	2202-000127	C-CERAMIC,MLC-AXIAL;10nF,+80-20%,25V,Y5V	
...5	C115	2202-000632	C-CERAMIC,MLC-AXIAL;100nF,20%,50V,Z5U,TP	
...5	C119	2401-000027	C-AL;4.7uF,20%,50V,GP;TP5x11,5	
...5	C120	2401-000027	C-AL;4.7uF,20%,50V,GP;TP5x11,5	
...5	C121	2305-000412	C-FILM,MPEF;470nF,5%,63V,TP,-,5mm	
...5	C203	2401-001176	C-AL;33uF,20%,25V,GP;TP5x11,5	
...5	C207	2305-000412	C-FILM,MPEF;470nF,5%,63V,TP,-,5mm	
...5	C208	2305-000665	C-FILM,MPEF;100nF,5%,63V,TP;7.5x4.0x5.0m	
...5	C209	2401-001840	C-AL;100uF,20%,16V,GP;TP6.3x11,5	
...5	C210	2305-000665	C-FILM,MPEF;100nF,5%,63V,TP;7.5x4.0x5.0m	
...5	C211	2202-000632	C-CERAMIC,MLC-AXIAL;100nF,20%,50V,Z5U,TP	
...5	C213	2401-001840	C-AL;100uF,20%,16V,GP;TP6.3x11,5	
...5	C214	2401-001840	C-AL;100uF,20%,16V,GP;TP6.3x11,5	
...5	C215	2305-000289	C-FILM,MPEF;220nF,5%,63V,TP,-,5mm	
...5	C216	2305-000289	C-FILM,MPEF;220nF,5%,63V,TP,-,5mm	
...5	C217	2301-000342	C-FILM,PEF;2.2nF,5%,50V,TP;7.4x3.9x13mm,	
...5	C218	2305-000665	C-FILM,MPEF;100nF,5%,63V,TP;7.5x4.0x5.0m	
...5	C219	2401-000603	C-AL;1uF,20%,50V,GP;TP5x11,5	

Level	Loc. No.	Code No.	Description ; Specification	Remark	Level	Loc. No.	Code No.	Description ; Specification	Remark	
....5	C220	2401-002235	C-AL;10uF,20%,16V,GP,TP,5x11mm,5mm	5	C911	2202-000632	C-CERAMIC,MLC-AXIAL;100nF,20%,50V,Z5U,TP		
....5	C221	2401-000660	C-AL;2.2uF,20%,50V,GP,TP,5x11,5	5	C913	2305-000665	C-FILM,MPEF;100nF,5%,63V,TP,7.5x4.0x5.0m		
....5	C222	2401-000758	C-AL;220nF,20%,50V,GP,TP,5x11,5	5	C915	2401-000302	C-AL;100uF,20%,25V,GP,TP,6.3x11,5		
....5	C223	2202-000796	C-CERAMIC,MLC-AXIAL;1NF,10%,50V,Y5P,TP,3	5	CN602	3711-002643	CONNECTOR-HEADER;BOX,4P,1R,2.5mm,STRAIGH		
....5	C224	2202-000796	C-CERAMIC,MLC-AXIAL;1NF,10%,50V,Y5P,TP,3	5	CN707A	3711-002645	CONNECTOR-HEADER;BOX,6P,1R,2.5mm,STRAIGH		
....5	C225	2309-000138	C-FILM,PE-PPF;100nF,5%,50V,TP,20x16x8.5,		△5	CR404S	2201-000639	C-CERAMIC,DISC;0.68nF,10%,2Kv,Y5P,TP,9x5	
....5	C229	2401-001840	C-AL;100uF,20%,16V,GP,TP,6.3x11,5		△5	CR405S	2305-000382	C-FILM,MPEF;4.7nF,5%,400V,TP,-,5mm	
....5	C230	2305-000665	C-FILM,MPEF;100nF,5%,63V,TP,7.5x4.0x5.0m		△5	CR409S	2201-002028	C-CERAMIC,DISC;0.47nF,10%,2Kv,Y5P,TP,7.5	
....5	C233	2305-000289	C-FILM,MPEF;220nF,5%,63V,TP,-,5mm	5	D201	0401-000005	DIODE-SWITCHING;1N4148,100V,200mA,DO-35,		
....5	C234	2301-000342	C-FILM,PEF;2.2nF,5%,50V,TP,7.4x3.9x13mm,	5	D301	0402-001105	DIODE-RECTIFIER;ERB43-04SV1,400V,1.0A,-,		
....5	C248	2301-000445	C-FILM,PEF;4.7nF,5%,50V,TP,5.5x7x3mm,5mm	5	D302	0402-001352	DIODE-RECTIFIER;GUF15G-20A,400V,1.5A,DO-		
....5	C301	2305-000285	C-FILM,MPEF;220nF,5%,100V,TP,10.5X5.5X15	5	D303	0402-000132	DIODE-RECTIFIER;1N4004,400V,1A,DO-41,TP		
....5	C302	2201-000259	C-CERAMIC,DISC;0.18nF,10%,500V,Y5P,TP,5.	5	D304	0402-001105	DIODE-RECTIFIER;ERB43-04SV1,400V,1.0A,-,		
....5	C303	2201-000556	C-CERAMIC,DISC;0.47nF,10%,500V,Y5P,TP,5.	5	D305	0401-000005	DIODE-SWITCHING;1N4148,100V,200mA,DO-35,		
....5	C304	2401-002288	C-AL;470uF,20%,25V,WT,TP,10x20,5		△5	D401	0402-001105	DIODE-RECTIFIER;ERB43-04SV1,400V,1.0A,-,	
....5	C305	2201-000556	C-CERAMIC,DISC;0.47nF,10%,500V,Y5P,TP,5.	5	D501	0402-000254	DIODE-RECTIFIER;RG10J,600V,1A,DO-41,TP		
....5	C306	2401-002288	C-AL;470uF,20%,25V,WT,TP,10x20,5	5	D502	0402-001105	DIODE-RECTIFIER;RG10J,600V,1A,DO-41,TP		
....5	C307	2401-000360	C-AL;100uF,20%,50V,GP,TP,8x11,5,5	5	D503	0402-001105	DIODE-RECTIFIER;ERB43-04SV1,400V,1.0A,-,		
....5	C308	2401-000360	C-AL;100uF,20%,50V,GP,TP,8x11,5,5	5	D504	0402-001105	DIODE-RECTIFIER;ERB43-04SV1,400V,1.0A,-,		
....5	C309	2301-000254	C-FILM,PEF;39nF,5%,50V,TP,7.5x3.5x6.5mm,		△5	D801S	0402-001111	DIODE-RECTIFIER;1N5397GP,600V,1.5A,DO-20	
....5	C310	2401-000223	C-AL;100nF,20%,50V,LL,TP,5x11mm,5mm		△5	D802	0402-001111	DIODE-RECTIFIER;1N5397GP,600V,1.5A,DO-20	
....5	C312	2305-000149	C-FILM,MPEF;100nF,5%,100V,TP,12x12.5x6.5		△5	D802S	0402-001111	DIODE-RECTIFIER;1N5397GP,600V,1.5A,DO-20	
....5	C403	2401-000560	C-AL;1uF,20%,160V,GP,TP,6.3x11,5		△5	D803	0402-000254	DIODE-RECTIFIER;RG10J,600V,1A,DO-41,TP	
....5	C406	2401-002619	C-AL;47uF,20%,25V,GP,TP,5x11,5		△5	D803S	0402-001111	DIODE-RECTIFIER;1N5397GP,600V,1.5A,DO-20	
....5	C407	2301-000383	C-FILM,PEF;10nF,5%,50V,TP,6x7x3.2mm,5mm		△5	D804	0401-000006	DIODE-SWITCHING;BAV21,250V,250mA,DO-35,T	
....5	C408	2201-000599	C-CERAMIC,DISC;0.56nF,10%,500V,Y5P,TP,5.		△5	D804S	0402-001111	DIODE-RECTIFIER;1N5397GP,600V,1.5A,DO-20	
....5	C420	2301-001065	C-FILM,MPEF;47nF,5%,630V,TP,19x15.5x7.7,		△5	D805	0402-001443	DIODE-RECTIFIER;EGP20K,800V,2A,DO-15,TP	
....5	C502	2301-000213	C-FILM,PEF;220nF,5%,250V,TP,21.5x11,7,5		△5	D808	0401-000005	DIODE-SWITCHING;1N4148,100V,200mA,DO-35,	
....5	C503	2201-000723	C-CERAMIC,DISC;4.7nF,20%,3Kv,Y5U,TP,16x5		△5	D809	0402-000132	DIODE-RECTIFIER;1N4004,400V,1A,DO-41,TP	
....5	C504	2401-001232	C-AL;4.7uF,20%,250V,GP,TP,10x12,5,5		△5	D811	0401-000005	DIODE-SWITCHING;1N4148,100V,200mA,DO-35,	
....5	C505	2202-000825	C-CERAMIC,MLC-AXIAL;680pF,10%,50V,Y5P,TP		△5	D812	0402-001105	DIODE-RECTIFIER;ERB43-04SV1,400V,1.0A,-,	
....5	C506	2401-000430	C-AL;100uF,20%,250V,GP,TP,10x16mm,5m	5	D901	0401-000005	DIODE-SWITCHING;1N4148,100V,200mA,DO-35,		
....5	C601	2401-001998	C-AL;1000uF,20%,25V,GP,TP,10x20,5mm	5	DZ101	0403-000700	DIODE-ZENER;TZP33A,33V,31-35V,1W,DO-41,T		
....5	C603	2305-000289	C-FILM,MPEF;220nF,5%,63V,TP,-,5mm	5	DZ201	0403-000720	DIODE-ZENER;MTZJ9.1B,9.1V,8.57-9.01V,500		
....5	C604	2401-000660	C-AL;2.2uF,20%,50V,GP,TP,5x11,5	5	DZ203	0403-001322	DIODE-ZENER;MTZJ8.2B,7.78-8.19V,500mW,DO		
....5	C605	2401-000660	C-AL;2.2uF,20%,50V,GP,TP,5x11,5	5	DZ204	0403-000720	DIODE-ZENER;MTZJ9.1B,9.1V,8.57-9.01V,500		
....5	C606	2301-000383	C-FILM,PEF;10nF,5%,50V,TP,6x7x3.2mm,5mm	5	DZ205	0403-000720	DIODE-ZENER;MTZJ9.1B,9.1V,8.57-9.01V,500		
....5	C607	2305-000289	C-FILM,MPEF;220nF,5%,63V,TP,-,5mm	5	DZ207	0403-000720	DIODE-ZENER;MTZJ9.1B,9.1V,8.57-9.01V,500		
....5	C610	2301-000383	C-FILM,PEF;10nF,5%,50V,TP,6x7x3.2mm,5mm	5	DZ301	0403-001328	DIODE-ZENER;MTZJ22A,20.15-21.20V,500mW,D		
....5	C611	2305-000289	C-FILM,MPEF;220nF,5%,63V,TP,-,5mm	5	DZ302	0403-001221	DIODE-ZENER;UZ39BSB,35.36-37.19V,500mW,D		
....5	C612	2401-000480	C-AL;100uF,20%,50V,GP,TP,5x11,5	5	DZ303	0403-000700	DIODE-ZENER;TZP33A,33V,31-35V,1W,DO-41,T		
....5	C613	2305-000289	C-FILM,MPEF;220nF,5%,63V,TP,-,5mm	5	DZ305	0403-001328	DIODE-ZENER;MTZJ22A,20.15-21.20V,500mW,D		
....5	C618	2305-000665	C-FILM,MPEF;100nF,5%,63V,TP,7.5x4.0x5.0m	5	DZ306	0403-000720	DIODE-ZENER;MTZJ9.1B,9.1V,8.57-9.01V,500		
....5	C619	2305-000665	C-FILM,MPEF;100nF,5%,63V,TP,7.5x4.0x5.0m	5	DZ307	0403-000720	DIODE-ZENER;MTZJ9.1B,9.1V,8.57-9.01V,500		
....5	C701	2202-000121	C-CERAMIC,MLC-AXIAL;100pF,10%,50V,Y5P,TP	5	DZ401	0403-001319	DIODE-ZENER;MTZJ4.7C,4.68-4.93V,500mW,DO		
....5	C702	2202-000210	C-CERAMIC,MLC-AXIAL;270pF,10%,50V,Y5P,TP	5	DZ402	0403-000508	DIODE-ZENER;MTZJ5.6B,5.6V,5.45-5.73V,500		
....5	C703	2202-000121	C-CERAMIC,MLC-AXIAL;100pF,10%,50V,Y5P,TP	5	DZ501	0403-000720	DIODE-ZENER;MTZJ9.1B,9.1V,8.57-9.01V,500		
....5	C704	2202-000121	C-CERAMIC,MLC-AXIAL;100pF,10%,50V,Y5P,TP	5	DZ502	0403-000720	DIODE-ZENER;MTZJ9.1B,9.1V,8.57-9.01V,500		
....5	C707	2301-000445	C-FILM,PEF;4.7nF,5%,50V,TP,5.5x7x3mm,5mm	5	DZ503	0403-000720	DIODE-ZENER;MTZJ9.1B,9.1V,8.57-9.01V,500		
....5	C802	2401-001192	C-AL;33uF,20%,50V,GP,TP,6.3x11,5	5	DZ504	0403-000720	DIODE-ZENER;MTZJ9.1B,9.1V,8.57-9.01V,500		
....5	C803	2305-000665	C-FILM,MPEF;100nF,5%,63V,TP,7.5x4.0x5.0m	5	DZ704	0403-000720	DIODE-ZENER;MTZJ9.1B,9.1V,8.57-9.01V,500		
....5	C804	2301-000224	C-FILM,PEF;22nF,5%,50V,TP,7.4x3.9x13mm,5	5	DZ801	0403-001140	DIODE-ZENER;RD10ESAB-T4,10V,9.19-10.30V,		
....5	C805	2301-000445	C-FILM,PEF;4.7nF,5%,50V,TP,5.5x7x3mm,5mm	5	DZ802	0403-001318	DIODE-ZENER;MTZJ4.3B,4.17-4.43V,500mW,DO		
....5	C806	2301-001435	C-FILM,PPF;1.5nF,5%,1.2Kv,TP,15x8x12.5mm	5	DZ803	0403-000699	DIODE-ZENER;TZP27B,27V,27-30.8V,1W,DO-41		
....5	C810	2301-000192	C-FILM,PEF;1nF,5%,50V,TP,5.3x10mm,5mm	5	DZ804	0403-000720	DIODE-ZENER;MTZJ9.1B,9.1V,8.57-9.01V,500		
....5	C811	2201-000991	C-CERAMIC,DISC;0.56nF,10%,2Kv,Y5P,TP,7.5	5	DZ805	0403-001327	DIODE-ZENER;MTZJ3.0B,3.01-3.22V,500mW,DO		
....5	C812	2401-000262	C-AL;100uF,20%,160V,HR,TP,16x25,7,5	5	DZ806	0403-001317	DIODE-ZENER;MTZJ5.6B,5.6V,5.45-5.73V,500		
....5	C813	2401-002290	C-AL;47uF,20%,160V,GP,TP,13x20,5	5	DZ807	0403-000508	DIODE-ZENER;MTZJ5.6B,5.6V,5.45-5.73V,500		
....5	C814	2201-000991	C-CERAMIC,DISC;0.56nF,10%,2Kv,Y5P,TP,7.5	5	DZ808	0403-000720	DIODE-ZENER;MTZJ9.1B,9.1V,8.57-9.01V,500		
....5	C816	2201-000375	C-CERAMIC,DISC;0.22nF,5%,50V,RH,TP,12.5x	5	DZ809	0403-000508	DIODE-ZENER;MTZJ5.6B,5.6V,5.45-5.73V,500		
....5	C817	2401-000302	C-AL;100uF,20%,25V,GP,TP,6.3x11,5	5	DZ810	0403-000508	DIODE-ZENER;MTZJ5.6B,5.6V,5.45-5.73V,500		
....5	C818	2401-003028	C-AL;100uF,20%,25V,WT,TP,6.3x11,5	5	DZ901	0403-001319	DIODE-ZENER;MTZJ4.7C,4.68-4.93V,500mW,DO		
....5	C819	2305-000665	C-FILM,MPEF;100nF,5%,63V,TP,7.5x4.0x5.0m	5	DZ905	0403-000508	DIODE-ZENER;MTZJ5.6B,5.6V,5.45-5.73V,500		
....5	C820	2401-000480	C-AL;100uF,20%,50V,GP,TP,5x11,5	5	DZ904	0403-000508	DIODE-ZENER;MTZJ5.6B,5.6V,5.45-5.73V,500		
....5	C821	2401-003028	C-AL;100uF,20%,25V,WT,TP,6.3x11,5	5	DZ905	0403-000508	DIODE-ZENER;MTZJ5.6B,5.6V,5.45-5.73V,500		
....5	C822	2401-000711	C-AL;2200uF,20%,25V,GP,TP,16x25,7,5	5	DZ906	0403-001319	DIODE-ZENER;MTZJ4.7C,4.68-4.93V,500mW,DO		
....5	C823	2401-000302	C-AL;100uF,20%,25V,GP,TP,6.3x11,5	5	DZ907	0403-001319	DIODE-ZENER;MTZJ4.7C,4.68-4.93V,500mW,DO		
....5	C825	2401-003028	C-AL;100uF,20%,25V,WT,TP,6.3x11,5	5	DZ908	0403-001319	DIODE-ZENER;MTZJ4.7C,4.68-4.93V,500mW,DO		
....5	C826	2202-000632	C-CERAMIC,MLC-AXIAL;100nF,20%,50V,Z5U,TP	5	EL301	AA60-40011B	EYELET;ID2.2,OD3.2,-,BSP,-	S.N.A	
....5	C827	2401-000927	C-AL;22uF,20%,250V,GP,TP,13x20,5	5	EL302	AA60-40011B	EYELET;ID2.2,OD3.2,-,BSP,-	S.N.A	
....5	C903	2401-001840	C-AL;100uF,20%,16V,GP,TP,6.3x11,5	5	EL403	AA60-40011B	EYELET;ID2.2,OD3.2,-,BSP,-	S.N.A	
....5	C904	2301-000383	C-FILM,PEF;10nF,5%,50V,TP,6x7x3.2mm,5mm	5	EL404	AA60-40011B	EYELET;ID2.2,OD3.2,-,BSP,-	S.N.A	
....5	C906	2202-000796	C-CERAMIC,MLC-AXIAL;1NF,10%,50V,Y5P,TP,3	5	EL407	AA60-40011B	EYELET;ID2.2,OD3.2,-,BSP,-	S.N.A	
....5	C908	2201-000573	C-CERAMIC,DISC;0.047nF,5%,50V,NP0,TP,5x3	5	EL408	AA60-40011B	EYELET;ID2.2,OD3.2,-,BSP,-	S.N.A	
....5	C909	2201-000573	C-CERAMIC,DISC;0.047nF,5%,50V,NP0,TP,5x3	5	EL501	AA60-40011B	EYELET;ID2.2,OD3.2,-,BSP,-	S.N.A	
....5	C910	2401-001840	C-AL;100uF,20%,16V,GP,TP,6.3x11,5	5	EL502	AA60-40011B	EYELET;ID2.2,OD3.2,-,BSP,-	S.N.A	

Level	Loc. No.	Code No.	Description ; Specification	Remark	Level	Loc. No.	Code No.	Description ; Specification	Remark
....5	EL601	AA60-40011B	EYELET;ID2.2,OD3.2,--,BSP,-	S.N.A5	L103	2701-000114	INDUCTOR-AXIAL;10uH,10%,2.5x3.4mm	
....5	EL602	AA60-40011B	EYELET;ID2.2,OD3.2,--,BSP,-	S.N.A5	L104	2701-000168	INDUCTOR-AXIAL;3.3uH,5%,2.5x3.4mm	
....5	EL801	AA60-40011B	EYELET;ID2.2,OD3.2,--,BSP,-	S.N.A5	L201	2701-000159	INDUCTOR-AXIAL;22uH,10%,4.2x9.8mm	
....5	EL802	AA60-40011B	EYELET;ID2.2,OD3.2,--,BSP,-	S.N.A5	L202	2701-000114	INDUCTOR-AXIAL;10uH,10%,2.5x3.4mm	
....5	EL804	AA60-40011B	EYELET;ID2.2,OD3.2,--,BSP,-	S.N.A5	L204	2701-000184	INDUCTOR-AXIAL;4.7uH,10%,2.5x3.4mm	
....5	EY101	AA60-40011A	EYELET;ID2.0,OD2.8,--,BST,-	S.N.A5	L205	2701-000159	INDUCTOR-AXIAL;22uH,10%,4.2x9.8mm	
....5	EY401	AA60-40011A	EYELET;ID2.0,OD2.8,--,BST,-	S.N.A5	L301	2701-000142	INDUCTOR-AXIAL;1uH,10%,2.5x3.4mm	
....5	EY402	AA60-40011A	EYELET;ID2.0,OD2.8,--,BST,-	S.N.A5	L302	2701-000142	INDUCTOR-AXIAL;1uH,10%,2.5x3.4mm	
....5	EY403	AA60-40011A	EYELET;ID2.0,OD2.8,--,BST,-	S.N.A	△	L403	2901-000297	FILTER-EMI ON BOARD;-3A,-,3.5x5,TP-	
....5	EY404	AA60-40011A	EYELET;ID2.0,OD2.8,--,BST,-	S.N.A5	L404	2701-000142	INDUCTOR-AXIAL;1uH,10%,2.5x3.4mm	
....5	EY405	AA60-40011A	EYELET;ID2.0,OD2.8,--,BST,-	S.N.A5	L405	2701-000159	INDUCTOR-AXIAL;22uH,10%,4.2x9.8mm	
....5	EY406	AA60-40011A	EYELET;ID2.0,OD2.8,--,BST,-	S.N.A5	L701	2701-000184	INDUCTOR-AXIAL;4.7uH,10%,2.5x3.4mm	
....5	EY407	AA60-40011A	EYELET;ID2.0,OD2.8,--,BST,-	S.N.A5	L702	2701-000184	INDUCTOR-AXIAL;4.7uH,10%,2.5x3.4mm	
....5	EY408	AA60-40011A	EYELET;ID2.0,OD2.8,--,BST,-	S.N.A5	L703	2701-000184	INDUCTOR-AXIAL;4.7uH,10%,2.5x3.4mm	
....5	EY409	AA60-40011A	EYELET;ID2.0,OD2.8,--,BST,-	S.N.A5	L704	2701-000184	INDUCTOR-AXIAL;4.7uH,10%,2.5x3.4mm	
....5	EY410	AA60-40011A	EYELET;ID2.0,OD2.8,--,BST,-	S.N.A5	L802	3301-000287	CORE-FERRITE BEAD;AA,3.5x1.0x6.0mm,1500,	
....5	EY411	AA60-40011A	EYELET;ID2.0,OD2.8,--,BST,-	S.N.A5	L803	3301-000287	CORE-FERRITE BEAD;AA,3.5x1.0x6.0mm,1500,	
....5	EY412	AA60-40011A	EYELET;ID2.0,OD2.8,--,BST,-	S.N.A5	L804	2701-001030	INDUCTOR-AXIAL;43uH,10%,5x14mm	
....5	EY414	AA60-40011A	EYELET;ID2.0,OD2.8,--,BST,-	S.N.A5	L806	2901-000297	FILTER-EMI ON BOARD;-3A,-,3.5x5,TP-	
....5	EY415	AA60-40011A	EYELET;ID2.0,OD2.8,--,BST,-	S.N.A5	L807	2701-001030	INDUCTOR-AXIAL;43uH,10%,5x14mm	
....5	EY416	AA60-40011A	EYELET;ID2.0,OD2.8,--,BST,-	S.N.A5	L808	2901-000297	FILTER-EMI ON BOARD;-3A,-,3.5x5,TP-	
....5	EY417	AA60-40011A	EYELET;ID2.0,OD2.8,--,BST,-	S.N.A5	L902	2701-000114	INDUCTOR-AXIAL;10uH,10%,2.5x3.4mm	
....5	EY419	AA60-40011A	EYELET;ID2.0,OD2.8,--,BST,-	S.N.A5	L903	2701-000158	INDUCTOR-AXIAL;22uH,10%,2.5x3.4mm	
....5	EY420	AA60-40011A	EYELET;ID2.0,OD2.8,--,BST,-	S.N.A5	L904	2701-000114	INDUCTOR-AXIAL;10uH,10%,2.5x3.4mm	
....5	EY421	AA60-40011A	EYELET;ID2.0,OD2.8,--,BST,-	S.N.A5	PCB	AA41-00131H	PCB-MAIN;CS21D8,FR-1,1L,H,1.6T,245X245,K	S.N.A
....5	EY422	AA60-40011A	EYELET;ID2.0,OD2.8,--,BST,-	S.N.A5	Q201	0501-000283	TR-SMALL SIGNAL;KSA539,PNP,400mW,TO-92,T	
....5	EY423	AA60-40011A	EYELET;ID2.0,OD2.8,--,BST,-	S.N.A5	Q202	0501-000389	TR-SMALL SIGNAL;KSC815,NPN,400mW,TO-92,T	
....5	EY501	AA60-40011A	EYELET;ID2.0,OD2.8,--,BST,-	S.N.A5	Q205	0501-000389	TR-SMALL SIGNAL;KSC815,NPN,400mW,TO-92,T	
....5	EY801	AA60-40011A	EYELET;ID2.0,OD2.8,--,BST,-	S.N.A5	Q206	0501-000283	TR-SMALL SIGNAL;KSA539,PNP,400mW,TO-92,T	
....5	EY802	AA60-40011A	EYELET;ID2.0,OD2.8,--,BST,-	S.N.A5	Q301	0501-000283	TR-SMALL SIGNAL;KSA539,PNP,400mW,TO-92,T	
....5	EY803	AA60-40011A	EYELET;ID2.0,OD2.8,--,BST,-	S.N.A5	Q402	0501-000369	TR-SMALL SIGNAL;KSC2331-Y,NPN,1000mW,TO-	
....5	EY807	AA60-40011A	EYELET;ID2.0,OD2.8,--,BST,-	S.N.A5	Q802	0501-000389	TR-SMALL SIGNAL;KSC815,NPN,400mW,TO-92,T	
....5	EY808	AA60-40011A	EYELET;ID2.0,OD2.8,--,BST,-	S.N.A5	Q803	0502-000242	TR-POWER;KSA614,PNP,25W,TO-220,TP,40-24	
....5	EY809	AA60-40011A	EYELET;ID2.0,OD2.8,--,BST,-	S.N.A5	Q901	0501-000283	TR-SMALL SIGNAL;KSA539,PNP,400mW,TO-92,T	
....5	EY810	AA60-40011A	EYELET;ID2.0,OD2.8,--,BST,-	S.N.A5	Q903	0501-000389	TR-SMALL SIGNAL;KSC815,NPN,400mW,TO-92,T	
....5	EY813	AA60-40011A	EYELET;ID2.0,OD2.8,--,BST,-	S.N.A5	Q905	0501-000389	TR-SMALL SIGNAL;KSC815,NPN,400mW,TO-92,T	
....5	EY818	AA60-40011A	EYELET;ID2.0,OD2.8,--,BST,-	S.N.A5	R108	2001-000947	R-CARBON;7.5KOHM,5%,1/8W,AA,TP,1.8X3.2MM	
....5	EY819	AA60-40011A	EYELET;ID2.0,OD2.8,--,BST,-	S.N.A5	R109	2001-000786	R-CARBON;47KOHM,5%,1/8W,AA,TP,1.8X3.2MM	
....5	EY821	AA60-40011A	EYELET;ID2.0,OD2.8,--,BST,-	S.N.A5	R110	2001-000924	R-CARBON;680OHM,5%,1/8W,AA,TP,1.8X3.2MM	
....5	EY822	AA60-40011A	EYELET;ID2.0,OD2.8,--,BST,-	S.N.A5	R115	2001-000645	R-CARBON;330KOHM,5%,1/8W,AA,TP,1.8X3.2MM	
....5	EY823	AA60-40011A	EYELET;ID2.0,OD2.8,--,BST,-	S.N.A5	R116	2001-000319	R-CARBON;120KOHM,5%,1/8W,AA,TP,1.8X3.2MM	
....5	EY824	AA60-40011A	EYELET;ID2.0,OD2.8,--,BST,-	S.N.A5	R117	2001-000924	R-CARBON;680OHM,5%,1/8W,AA,TP,1.8X3.2MM	
....5	EY825	AA60-40011A	EYELET;ID2.0,OD2.8,--,BST,-	S.N.A5	R202	2001-000689	R-CARBON;390KOHM,5%,1/8W,AA,TP,1.8X3.2MM	
....5	EY827	AA60-40011A	EYELET;ID2.0,OD2.8,--,BST,-	S.N.A5	R203	2001-000857	R-CARBON;560OHM,5%,1/8W,AA,TP,1.8X3.2MM	
....5	EY828	AA60-40011A	EYELET;ID2.0,OD2.8,--,BST,-	S.N.A5	R204	2001-000857	R-CARBON;560OHM,5%,1/8W,AA,TP,1.8X3.2MM	
....5	EY829	AA60-40011A	EYELET;ID2.0,OD2.8,--,BST,-	S.N.A5	R205	2001-000011	R-CARBON;75KOHM,5%,1/8W,AA,TP,1.8X3.2MM	
....5	EY830	AA60-40011A	EYELET;ID2.0,OD2.8,--,BST,-	S.N.A5	R206	2001-000563	R-CARBON;27KOHM,5%,1/8W,AA,TP,1.8X3.2MM	
....5	EY833	AA60-40011A	EYELET;ID2.0,OD2.8,--,BST,-	S.N.A5	R207	2001-000005	R-CARBON;390ohm,5%,1/8W,AA,TP,1.8x3.2mm	
....5	EY850	AA60-40011A	EYELET;ID2.0,OD2.8,--,BST,-	S.N.A5	R208	2001-000591	R-CARBON;3.3KOHM,5%,1/8W,AA,TP,1.8X3.2MM	
....5	EY851	AA60-40011A	EYELET;ID2.0,OD2.8,--,BST,-	S.N.A5	R209	2001-000793	R-CARBON;47OHM,5%,1/8W,AA,TP,1.8X3.2MM	
....5	EY852	AA60-40011A	EYELET;ID2.0,OD2.8,--,BST,-	S.N.A5	R210	2001-000857	R-CARBON;560OHM,5%,1/8W,AA,TP,1.8X3.2MM	
....5	EY853	AA60-40011A	EYELET;ID2.0,OD2.8,--,BST,-	S.N.A5	R211	2001-000281	R-CARBON;100OHM,5%,1/8W,AA,TP,1.8X3.2MM	
....5	EY860	AA60-40011A	EYELET;ID2.0,OD2.8,--,BST,-	S.N.A5	R213	2001-000281	R-CARBON;100OHM,5%,1/8W,AA,TP,1.8X3.2MM	
....5	EY861	AA60-40011A	EYELET;ID2.0,OD2.8,--,BST,-	S.N.A5	R214	2001-000490	R-CARBON;200OHM,5%,1/8W,AA,TP,1.8X3.2MM	
....5	F801A	3602-000114	FUSE-HOLDER;-,.30mohm	5	R215	2001-000281	R-CARBON;100OHM,5%,1/8W,AA,TP,1.8X3.2MM	
....5	F801B	3602-000114	FUSE-HOLDER;-,.30mohm	5	R218	2001-000008	R-CARBON;15KOHM,5%,1/8W,AA,TP,1.8X3.2MM	
△	FD801S	3601-001163	FUSE-AXIAL LEAD;125V,7A,-,EPOXY;2.4X7.1MM	S.N.A5	R219	2004-001914	R-METAL;39Kohm,2%,1/8W,AA,TP,1.8x3.5mm	
....5	GT101	AA60-40014A	PIN-GT,ASSY;1P,-,AUTO	S.N.A5	R222	2001-000947	R-CARBON;7.5KOHM,5%,1/8W,AA,TP,1.8X3.2MM	
....5	GT301	AA60-40014A	PIN-GT,ASSY;1P,-,AUTO	S.N.A5	R223	2001-000281	R-CARBON;100OHM,5%,1/8W,AA,TP,1.8X3.2MM	
....5	GT302	AA60-40014A	PIN-GT,ASSY;1P,-,AUTO	S.N.A5	R224	2001-000290	R-CARBON;10KOHM,5%,1/8W,AA,TP,1.8X3.2MM	
....5	GT401	AA60-40014A	PIN-GT,ASSY;1P,-,AUTO	S.N.A5	R225	2001-001035	R-CARBON;91OHM,5%,1/8W,AA,TP,1.8X3.2MM	
....5	GT402	AA60-40014A	PIN-GT,ASSY;1P,-,AUTO	S.N.A5	R227	2001-000739	R-CARBON;4.7MOHM,5%,1/8W,AA,TP,1.8X3.2MM	
....5	GT501	AA60-40014A	PIN-GT,ASSY;1P,-,AUTO	S.N.A5	R228	2001-000739	R-CARBON;4.7MOHM,5%,1/8W,AA,TP,1.8X3.2MM	
....5	GT502	AA60-40014A	PIN-GT,ASSY;1P,-,AUTO	S.N.A5	R230	2001-000290	R-CARBON;10KOHM,5%,1/8W,AA,TP,1.8X3.2MM	
....5	GT801	AA60-40014A	PIN-GT,ASSY;1P,-,AUTO	S.N.A5	R301	2001-000016	R-CARBON(S);10HM,5%,1/2W,AA,TP,2.4X6.4MM	
....5	GT802	AA60-40014A	PIN-GT,ASSY;1P,-,AUTO	S.N.A5	R302	2004-004366	R-METAL(S);1.3Kohm,1%,1/2W,AA,TP,2.5x6.5	
....5	GT803	AA60-40014A	PIN-GT,ASSY;1P,-,AUTO	S.N.A5	R303	2003-002070	R-METAL OXIDE;1ohm,5%,2WAF,TP3.9x10mm	
....5	GT804	AA60-40014A	PIN-GT,ASSY;1P,-,AUTO	S.N.A5	R304	2008-000253	R-FUSIBLE(S);0.47ohm,5%,1WAF,TP3.9x10m	
....5	GT805	AA60-40014A	PIN-GT,ASSY;1P,-,AUTO	S.N.A5	R305	2008-000253	R-FUSIBLE(S);0.47ohm,5%,1WAF,TP3.9x10m	
....5	GT806	AA60-40014A	PIN-GT,ASSY;1P,-,AUTO	S.N.A5	R306	2004-004366	R-METAL(S);1.3Kohm,1%,1/2W,AA,TP,2.5x6.5	
△	GT807	AA60-40014A	PIN-GT,ASSY;1P,-,AUTO	S.N.A5	R307	2001-000290	R-CARBON;10KOHM,5%,1/8W,AA,TP,1.8X3.2MM	
....5	IC803	1203-001217	IC-POS,ADJUST REG.;431,TO-92,3P4.58MIL	5	R308	2001-001093	R-CARBON(S);2.2KOHM,5%,1/2W,AA,TP,2.4X6.4MM	
....5	J125	2001-000016	R-CARBON(S);10HM,5%,1/2W,AA,TP,2.4X6.4MM	5	R313	2001-000258	R-CARBON;1.8KOHM,5%,1/8W,AA,TP,1.8X3.2MM	
....5	J137	2001-000281	R-CARBON;100OHM,5%,1/8W,AA,TP,1.8X3.2MM	5	R314	2003-000537	R-METAL OXIDE(S);1Kohm,5%,1WAF,TP3.3x9	
....5	J142	2701-000115	INDUCTOR-AXIAL;10uH,10%,3x7mm	5	R315	2003-002009	R-METAL OXIDE(S);390ohm,5%,2WAF,TP3.9x	
....5	J910	3301-000287	CORE-FERRITE BEAD;AA,3.5x1.0x6.0mm,1500,	5	R316	2003-002009	R-METAL OXIDE(S);390ohm,5%,2WAF,TP3.9x	
....5	L102	2701-000159	INDUCTOR-AXIAL;22uH,10%,4.2x9.8mm	5	R402	2003-002178	R-METAL OXIDE(S);1Kohm,5%,2WAG,TP3.9x1	

Level	Loc. No.	Code No.	Description ; Specification	Remark	Level	Loc. No.	Code No.	Description ; Specification	Remark
....5	R403	2003-000784	R-METAL OXIDE(S);7.5Kohm,5%,2W,AF,TP,4x1	5	R909	2001-000281	R-CARBON;1000HM,5%,1/8W,AA,TP,1.8X3.2MM	
....5	R405	2001-001116	R-CARBON(S);270HM,5%,1/2W,AA,TP,2.4X6.4M	5	R910	2001-000290	R-CARBON;10KOHM,5%,1/8W,AA,TP,1.8X3.2MM	
....5	R407	2003-002209	R-METAL OXIDE(S);47Kohm,5%,2W,AG,TP,3.9X	5	R911	2001-000281	R-CARBON;1000HM,5%,1/8W,AA,TP,1.8X3.2MM	
....5	R408	2001-001037	R-CARBON(S);0.390HM,5%,1/2W,AA,TP,2.4X6.4	5	R912	2001-000281	R-CARBON;1000HM,5%,1/8W,AA,TP,1.8X3.2MM	
....5	R409	2001-000022	R-CARBON(S);330HM,5%,1/2W,AA,TP,2.4X6.4M	5	R913	2001-000281	R-CARBON;1000HM,5%,1/8W,AA,TP,1.8X3.2MM	
....5	R411	2001-001114	R-CARBON(S);2700HM,5%,1/2W,AA,TP,2.4X6.4	5	R914	2001-000281	R-CARBON;1000HM,5%,1/8W,AA,TP,1.8X3.2MM	
....5	R413	2003-000592	R-METAL OXIDE(S);22kohm,5%,2W,AF,TP,4x12m	5	R915	2001-000924	R-CARBON;6800HM,5%,1/8W,AA,TP,1.8X3.2MM	
....5	R414	2001-001078	R-CARBON(S);15KOHM,5%,1/2W,AA,TP,2.4X6.4	5	R916	2001-000449	R-CARBON;2.2KOHM,5%,1/8W,AA,TP,1.8X3.2MM	
....5	R420	2008-001110	R-FUSIBLE(S);68ohm,5%,2W,AG,TP,3.9X12mm	5	R917	2001-000449	R-CARBON;2.2KOHM,5%,1/8W,AA,TP,1.8X3.2MM	
....5	R421	2008-001114	R-FUSIBLE(S);1.5ohm,5%,2W,AG,TP,3.9x12mm	5	R918	2001-000429	R-CARBON;1KOHM,5%,1/8W,AA,TP,1.8X3.2MM	
....5	R423	2004-001373	R-METAL(S);100Kohm,1%,1/2W,AA,TP,2.4x6.4	5	R919	2001-000290	R-CARBON;10KOHM,5%,1/8W,AA,TP,1.8X3.2MM	
....5	R424	2004-001402	R-METAL(S);6.8Kohm,1%,1/2W,AA,TP,2.4x6.4	5	R920	2001-000290	R-CARBON;10KOHM,5%,1/8W,AA,TP,1.8X3.2MM	
....5	R501	2001-000281	R-CARBON;1000HM,5%,1/8W,AA,TP,1.8X3.2MM	5	R921	2001-000290	R-CARBON;10KOHM,5%,1/8W,AA,TP,1.8X3.2MM	
....5	R501H	2002-001008	R-COMPOSITION;1.8Kohm,10%,1/2W,AA,TP,3.7	5	R922	2001-000290	R-CARBON;10KOHM,5%,1/8W,AA,TP,1.8X3.2MM	
....5	R502	2001-000281	R-CARBON;1000HM,5%,1/8W,AA,TP,1.8X3.2MM	5	R923	2001-000273	R-CARBON;100KOHM,5%,1/8W,AA,TP,1.8X3.2MM	
....5	R502H	2002-001008	R-COMPOSITION;1.8Kohm,10%,1/2W,AA,TP,3.7	5	R925	2001-000734	R-CARBON;4.7KOHM,5%,1/8W,AA,TP,1.8X3.2MM	
....5	R503	2002-001008	R-COMPOSITION;1.8Kohm,10%,1/2W,AA,TP,3.7	5	R926	2001-000429	R-CARBON;1KOHM,5%,1/8W,AA,TP,1.8X3.2MM	
....5	R504	2001-001062	R-CARBON(S);10MOHM,5%,1/2W,AA,TP,2.4X6.4	5	R927	2001-000793	R-CARBON;470HM,5%,1/8W,AA,TP,1.8X3.2MM	
....5	R505	2008-001011	R-FUSIBLE(S);0.18ohm,10%,2W,AF,TP,3.9x10	5	R929	2001-000563	R-CARBON;27KOHM,5%,1/8W,AA,TP,1.8X3.2MM	
....5	R506	2001-000281	R-CARBON;1000HM,5%,1/8W,AA,TP,1.8X3.2MM	5	R933	2001-000281	R-CARBON;1000HM,5%,1/8W,AA,TP,1.8X3.2MM	
....5	R510	2001-000281	R-CARBON;1000HM,5%,1/8W,AA,TP,1.8X3.2MM	5	R934	2001-000281	R-CARBON;1000HM,5%,1/8W,AA,TP,1.8X3.2MM	
....5	R511	2001-000281	R-CARBON;1000HM,5%,1/8W,AA,TP,1.8X3.2MM	5	R938	2001-000281	R-CARBON;1000HM,5%,1/8W,AA,TP,1.8X3.2MM	
....5	R512	2001-000281	R-CARBON;1000HM,5%,1/8W,AA,TP,1.8X3.2MM	5	RX801S	2002-001011	R-COMPOSITION;3.3Mohm,5%,1/2W,AA,TP,3.7x	
....5	R601	2001-000878	R-CARBON;6.2KOHM,5%,1/8W,AA,TP,1.8X3.2MM	5	RY801S	2002-001012	R-COMPOSITION;8.2Mohm,5%,1/2W,AA,TP,3.7x	
....5	R602	2001-000472	R-CARBON;2.7KOHM,5%,1/8W,AA,TP,1.8X3.2MM	5	SW901	3404-000244	SWITCH-TACT;15V,20mA,90-170gf,7.5x7mm,SP	
....5	R605	2001-000472	R-CARBON;2.7KOHM,5%,1/8W,AA,TP,1.8X3.2MM	5	SW902	3404-000244	SWITCH-TACT;15V,20mA,90-170gf,7.5x7mm,SP	
....5	R607	2001-000878	R-CARBON;6.2KOHM,5%,1/8W,AA,TP,1.8X3.2MM	5	SW903	3404-000244	SWITCH-TACT;15V,20mA,90-170gf,7.5x7mm,SP	
....5	R618	2001-000019	R-CARBON(S);100HM,5%,1/2W,AA,TP,2.4X6.4M	5	SW904	3404-000244	SWITCH-TACT;15V,20mA,90-170gf,7.5x7mm,SP	
....5	R619	2001-000019	R-CARBON(S);100HM,5%,1/2W,AA,TP,2.4X6.4M	5	SW905	3404-000244	SWITCH-TACT;15V,20mA,90-170gf,7.5x7mm,SP	
....5	R702	2001-000969	R-CARBON;750HM,5%,1/8W,AA,TP,1.8X3.2MM	5	T101	AA26-00025A	TRANS-IF;7MG,-,-,10pf,-,58.35MHz,7.7x7	
....5	R712	2001-000857	R-CARBON;5600HM,5%,1/8W,AA,TP,1.8X3.2MM	5	VX801S	1405-000187	VARISTOR;750V,1250A,12.5x7mm,TP	
....5	R715	2001-000857	R-CARBON;5600HM,5%,1/8W,AA,TP,1.8X3.2MM	5	X901	2801-003937	CRYSTAL-UNIT;12MHz,25ppm,28-AAM,30pf,30o	
....5	R719	2001-000969	R-CARBON;750HM,5%,1/8W,AA,TP,1.8X3.2MM	5	Z202	2903-001240	FILTER-CERAMIC;TR,5.5MHz,-,28dB,-,TP,-	
....5	R720	2001-000969	R-CARBON;750HM,5%,1/8W,AA,TP,1.8X3.2MM	5	Z203	2903-001246	FILTER-CERAMIC;TR,5.5MHz,-,-,TP,multi.	
....5	R801	2003-002171	R-METAL OXIDE(S);150ohm,5%,2W,AG,TP,3.9x	3	AA39-20010D	LEAD CONNECTOR-ASSY;1P,YFH800-01,S,400,		
....5	R803	2003-000994	R-METAL OXIDE(S);33Kohm,5%,2W,AF,TP,3.9x	3	AA65-30008A	CLAMP-CORD;-PE,HB,-,BLK,-	S.N.A	
....5	R804	2003-000994	R-METAL OXIDE(S);33Kohm,5%,2W,AF,TP,3.9x	3	AA65-30009A	CLAMP-FBT;-ABS,VO,-,BLK,-	S.N.A	
....5	R805	2001-001170	R-CARBON(S);6.80HM,5%,1/2W,AA,TP,2.4X6.4	3	AA65-30018A	CLAMP-WIRE;DONG-A,NYLON-66,-,-,DATL-60	S.N.A	
....5	R806	2001-001108	R-CARBON(S);22KOHM,5%,1/2W,AA,TP,2.4X6.4	3	AA65-30105A	CLAMP-WIRE;ALL MODEL,NYLON 66,V2,-,NTR,1	S.N.A	
....5	R808	2001-000109	R-CARBON(S);4700HM,5%,1/2W,AA,TP,2.4X6.4	2	AA95-01724B	ASSY SUB-A/V FRONT;S4,KS1ASTEREO,AA95-01	S.N.A	
....5	R809	2001-001150	R-CARBON(S);470KOHM,5%,1/2W,AA,TP,2.4X6.4	3	CN702	AA39-20461C	LEAD CONNECTOR-ASSY;11P,YBNH250-11,6709	
....5	R810	2001-001150	R-CARBON(S);470KOHM,5%,1/2W,AA,TP,2.4X6.4	3	CN704A	AA39-00094A	LEAD CONNECTOR-ASSY;3;2P,YBNH250-03,35	
....5	R814	2008-001113	R-FUSIBLE(S);0.22ohm,10%,2W,AG,TP,3.9x12	3	JE601	3722-000143	JACK-PHONE;1P(VER);3.4PI,AG,BLK,NO	
....5	R815	2008-001113	R-FUSIBLE(S);0.22ohm,10%,2W,AG,TP,3.9x12	3	JR01	3722-001031	JACK-PIN;3P;3.9mm,#18,AU	
....5	R817	2004-004089	R-METAL(S);123Kohm,1%,1/2W,AA,TP,2.5x6.5	3	AA97-07200A	ASSY AUTO-A/V FRONT;KS1A,PAL,AA95-01435	S.N.A	
....5	R818	2004-001399	R-METAL(S);5.1Kohm,1%,1/2W,AA,TP,2.4x6.4	4	CE01	2401-001840	C-AL;100uf,20%,16V,GP,TP6,3x11.5	
....5	R819	2004-001390	R-METAL(S);1Kohm,2%,1/2W,AA,TP,2.4x6.4mm	4	CE02	2401-001840	C-AL;100uf,20%,16V,GP,TP6,3x11.5	
....5	R820	2004-001371	R-METAL(S);1.5Kohm,1%,1/2W,AA,TP,2.4x6.4	4	CE04	2202-000121	C-CERAMIC,MLC-AXIAL;100pf;10%,50V,Y5P,TP	
....5	R821	2001-001125	R-CARBON(S);300KOHM,5%,1/2W,AA,TP,2.4X6.4	4	CE05	2202-000121	C-CERAMIC,MLC-AXIAL;100pf;10%,50V,Y5P,TP	
....5	R822	2004-001983	R-METAL(S);2.49Kohm,1%,1/2W,AA,TP,2.4x6.4	4	CE07	2202-000222	C-CERAMIC,MLC-AXIAL;3.3nf;20%,16V,Y5P,TP	
....5	R823	2001-000037	R-CARBON(S);3300HM,5%,1/2W,AA,TP,2.4X6.4	4	CE08	2202-000222	C-CERAMIC,MLC-AXIAL;3.3nf;20%,16V,Y5P,TP	
....5	R824	2008-001062	R-FUSIBLE;39ohm,5%,2W,AF,TP,3.9x10mm	4	LE01	2701-000158	INDUCTOR-AXIAL;22uH,10%,2.5x3.4mm	
....5	R825	2008-001076	R-FUSIBLE(S);1.8ohm,5%,2W,AF,TP,3.9x10mm	4	LE02	2701-000158	INDUCTOR-AXIAL;22uH,10%,2.5x3.4mm	
....5	R826	2001-000290	R-CARBON;10KOHM,5%,1/8W,AA,TP,1.8X3.2MM	4	LE04	2701-000114	INDUCTOR-AXIAL;10uH,10%,2.5x3.4mm	
....5	R827	2003-000652	R-METAL OXIDE(S);330ohm,5%,2W,AF,TP,4x12	4	LE05	2701-000114	INDUCTOR-AXIAL;10uH,10%,2.5x3.4mm	
....5	R828	2001-000290	R-CARBON;10KOHM,5%,1/8W,AA,TP,1.8X3.2MM	4	PCB	AA41-00568A	PCB-FRONT AV;S4,C5,FR-1,1L,A,1.6T,245X24	S.N.A
....5	R829	2001-000563	R-CARBON;27KOHM,5%,1/8W,AA,TP,1.8X3.2MM	4	RE01	2001-001153	R-CARBON(S);470HM,5%,1/2W,AA,TP,2.4X6.4M	
....5	R830	2001-000734	R-CARBON;4.7KOHM,5%,1/8W,AA,TP,1.8X3.2MM	4	RE02	2001-001153	R-CARBON(S);470HM,5%,1/2W,AA,TP,2.4X6.4M	
....5	R831	2001-001192	R-CARBON(S);8200HM,5%,1/2W,AA,TP,2.4X6.4	3	2022-000187	SOLDER-WIRE FLUX;-RS605,D1.2,63Sn/37PB	S.N.A	
....5	R832	2001-001088	R-CARBON(S);1KOHM,5%,1/2W,AA,TP,2.4X6.4M	2	AA96-20109B	ASSY-POWER,CORD;-CP2,N0(I4.0),H/C250,KKP	S.N.A	
....5	R834	2003-001040	R-METAL OXIDE(S);47Kohm,5%,2W,AF,TP,3.9x	3	3811-000401	WIRE-PVC CU;BCVA,300V,ROLL,17/0.16mm,#22	S.N.A	
....5	R837	2003-002064	R-METAL OXIDE;7.5ohm,5%,2W,AF,TP,10x3.9m	3	AA39-10006X	POWER-CORD;-KKP419C,KLCE-2F,2.286MT,3P,		
....5	R838	2003-002064	R-METAL OXIDE;7.5ohm,5%,2W,AF,TP,10x3.9m	3	AA61-20284A	HOLDER,P-CORD,PP,-,-,BLK,VO,KE-002	S.N.A	
....5	R839	2003-002064	R-METAL OXIDE;7.5ohm,5%,2W,AF,TP,10x3.9m						
....5	R840	2001-001168	R-CARBON(S);6.8KOHM,5%,1/2W,AA,TP,2.4X6.4						
....5	R841	2001-000734	R-CARBON;4.7KOHM,5%,1/8W,AA,TP,1.8X3.2MM						
....5	R843	2001-000019	R-CARBON(S);100HM,5%,1/2W,AA,TP,2.4X6.4M						
....5	R850	2001-001170	R-CARBON(S);6.80HM,5%,1/2W,AA,TP,2.4X6.4						
....5	R901	2001-000472	R-CARBON;2.7KOHM,5%,1/8W,AA,TP,1.8X3.2MM		1	*	AA90-02007S	ASSY COVER REAR;CS21S4WX/BWT	S.N.A
....5	R902	2001-000241	R-CARBON;1.5KOHM,5%,1/8W,AA,TP,1.8X3.2MM		..2		AA64-00707F	CABINET BACK;21S4,HPS,V2,G4309	
....5	R903	2001-000472	R-CARBON;2.7KOHM,5%,1/8W,AA,TP,1.8X3.2MM		..2		AA64-60385B	INLAY-BACK;50,5366,PS,TO.3,-,BLK,LINE	S.N.A
....5	R904	2001-000241	R-CARBON;1.5KOHM,5%,1/8W,AA,TP,1.8X3.2MM		..2		AA65-30008A	CLAMP-CORD;-PE,HB,-,BLK,-	S.N.A
....5	R905	2001-000005	R-CARBON;390ohm,5%,1/8W,AA,TP,1.8x3.2mm						
....5	R906	2001-000005	R-CARBON;390ohm,5%,1/8W,AA,TP,1.8x3.2mm						
....5	R907	2001-000472	R-CARBON;2.7KOHM,5%,1/8W,AA,TP,1.8X3.2MM						
....5	R908	2001-000472	R-CARBON;2.7KOHM,5%,1/8W,AA,TP,1.8X3.2MM						

ASSY COVER REAR

Level	Loc. No.	Code No.	Description ; Specification	Remark	Level	Loc. No.	Code No.	Description ; Specification	Remark
-------	----------	----------	-----------------------------	--------	-------	----------	----------	-----------------------------	--------

ASSY COVER FRONT

1	*	AA90-01844S	ASSY COVER FRONT;CS21S4WX/BWT	S.N.A
..2	CB+CF	AA60-10050T	SCREW-TAPPING;-;SWRCH18A,M4,L20,RH,+;2S,	S.N.A
..2	CB+RJ	6003-001026	SCREW-TAPTITE;RH,+;B,M4,L15,ZPC(BLK),SWR	S.N.A
..2	CRT+CF	AA60-10050R	SCREW-ASSY;-;SWRCH18A,M5,L31.5,HH,+;WC,-	S.N.A
..2	PA+CF	6006-001095	SCREW-ASS'Y TAPT;WP;BH,+;M4,L12,ZPC(YEL)	S.N.A
..2		AA91-00288V	ASSY CABINET FRONT;,21S4,(SPK)SV704P MPP	
..3	KC+CF	6003-001026	SCREW-TAPTITE;RH,+;B,M4,L15,ZPC(BLK),SWR	S.N.A
..3	SPK+CF	6003-001026	SCREW-TAPTITE;RH,+;B,M4,L15,ZPC(BLK),SWR	S.N.A
..3	TW+CF	6003-001026	SCREW-TAPTITE;RH,+;B,M4,L15,ZPC(BLK),SWR	S.N.A
..3		AA64-00711C	KNOB POWER;21S4,ABS,-,-;HB,G3676,-;NO-	
..3		AA64-00713B	WINDOW REMOCON;-;21S4,-;PC,VO,VIOLET,-	S.N.A
..3		AA64-00714B	INDICATOR LED;21S4,ACRYL,-;CLR,-;-	
..3		AA64-70123B	BADGE-BRAND;-;AL,-;-L=50,SAMSUNG,SILVER	S.N.A
..3		AA65-00011C	CLAMP-WIRE;ALL MODEL,NYLON 66,V2,-;NTR,2	S.N.A
..3		AA65-30105A	CLAMP-WIRE;ALL MODEL,NYLON 66,V2,-;NTR,1	S.N.A
..3		AA96-00626A	ASSY SPEAKER;-;8OHM,15W,001115/001088,35	S.N.A
..4		3001-001088	SPEAKER;5W,8ohm,90dB,250Hz+-50Hz	
..4		3001-001115	SPEAKER;15W,8ohm,93dB,110	
..4		AA39-00228A	LEAD CONNECTOR ASSY;4P/4.7UF;YSH250-04,	
..3		AA60-00091J	SPACER-FELT;-;FELT,330X10,-;-BLK,T0.5,-	S.N.A
..3		AA61-60003J	SPRING-CS;-;SUS304,-;-OD6,N7,OD6,-;-	S.N.A
..3		AA63-00206K	COVER-CONTROL;21S4,HIPS,-;-HB,GRAY,GD	
..3		AA63-00208B	GRILLE WOOFER-L;21S4,SECC,T0.5,-;-;SV7	S.N.A
..3		AA63-00209B	GRILLE WOOFER-R;21S4,SECC,T0.5,-;-;SV7	S.N.A
..3		AA64-00706L	CABINET FRONT;21S4,S5,HIPS,-;-HB,G430	S.N.A
..3		AA64-00709B	KNOB CONTROL;21S4,ABS,-;-;HB,G3676,-;-	
..2		AA65-30107A	CLAMP-D,COIL;20-22 INCH,NYLON 66,V2,-;NT	S.N.A
..2		AA63-60004K	SPACER-GUM,CRT;-;NTR RUBBER,-;-;BLK,T2	S.N.A

ASSY ACCESSORY

1	*	AA92-03227Q	ASSY ACCESSORY;CS21S4WX/BWT	S.N.A
..2		AA68-01402A	MANUAL-GOOD WILL LETTER;-;CIS,B5,1PAGE,A/	S.N.A
..2		AA68-01296B	MANUAL USERS;-;RUS,W/P100(G),1,..;KS1A,TTX	
..2		AA68-01120A	MANUAL SERVICE;-;-;CIS,A4,6PAGE(FOLD),W/	S.N.A
..2		AA59-00198H	REMOCON;-;TM59,DREAM,29,L/GRAY,STEREO,NON	
..2		AA42-00003A	ANT ROD;-;3S,720mm,ABS,UL/CSA,-	
..2		AA26-90001C	TRANS-MATCHING;-;-;30ohm/75ohm,PAL,40-890	

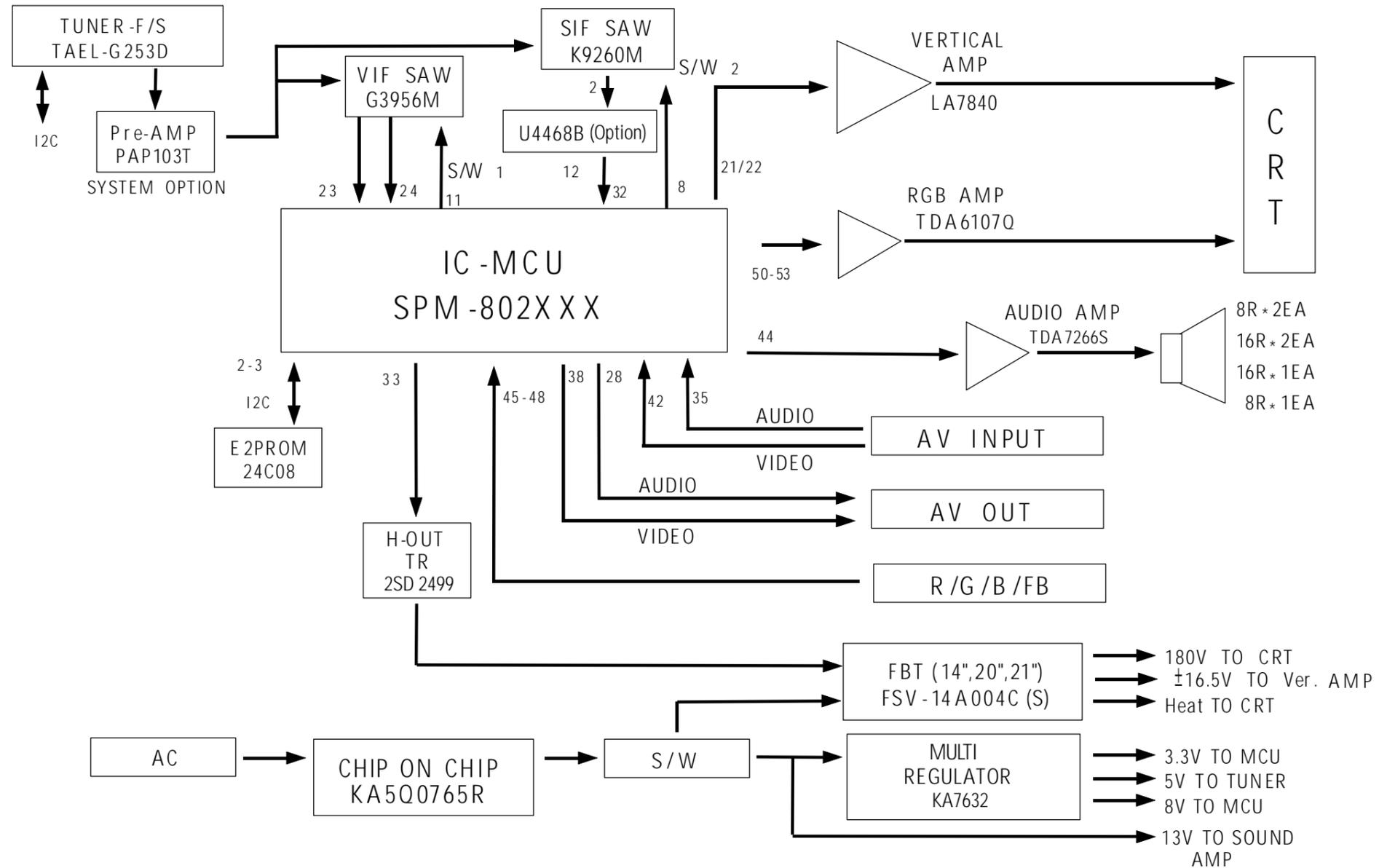
ASSY CPT

1	*	AA91-03069A	ASSY CPT;CS21S4WX/BWT	S.N.A
..2		AA91-02170B	ASSY CPT;A51KQJ63X(H),21,+380MG,BARE	S.N.A
..3		AA63-60028A	SPACER-DY;-;NEOPRENE,-;-;BLK,-;-;VO W1	S.N.A
..3		AA27-50005K	DEFLECTION-YOKE;-;CDY-S2192M,ST-3,A51KQJ	
△	..3	AA27-00002A	MAGNET-CONVERGENCE;-;JH291-SC-OB,29.1MM	
..3		AA03-10024T	CRT-COLOR;A51KQJ63X(H),+380mG,2.28mH,22,	
..2		AA98-70014C	ASSY-TBC,WIRE(P);-;21',NTSC,1P;TVI	S.N.A
..2		AA27-00143A	COIL DEGAUSSING;-;35T,90HM,21INCH,220V,20	

MEMO

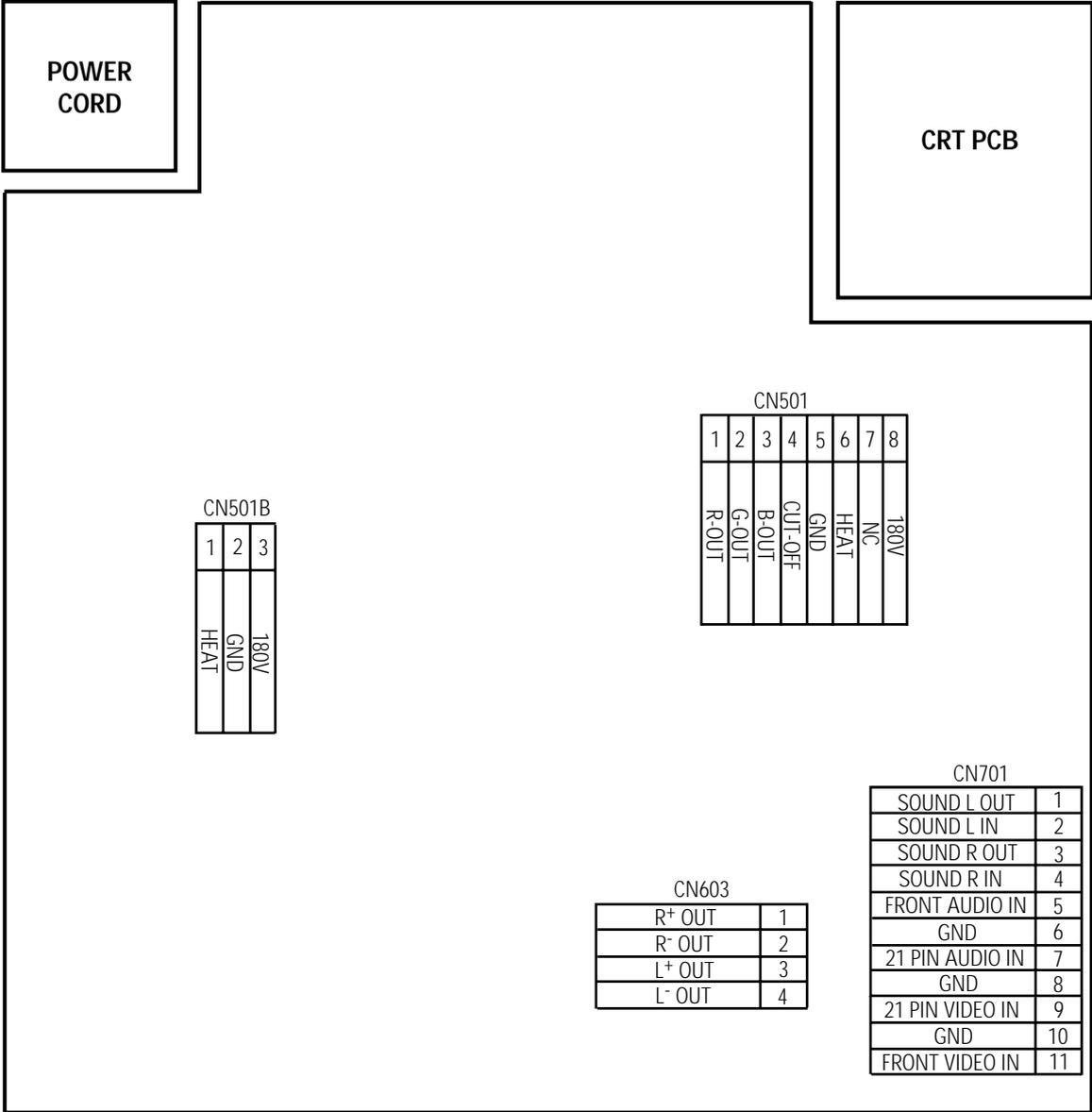
8. Block Diagram

8-1 KS1A



9. Wiring Diagram

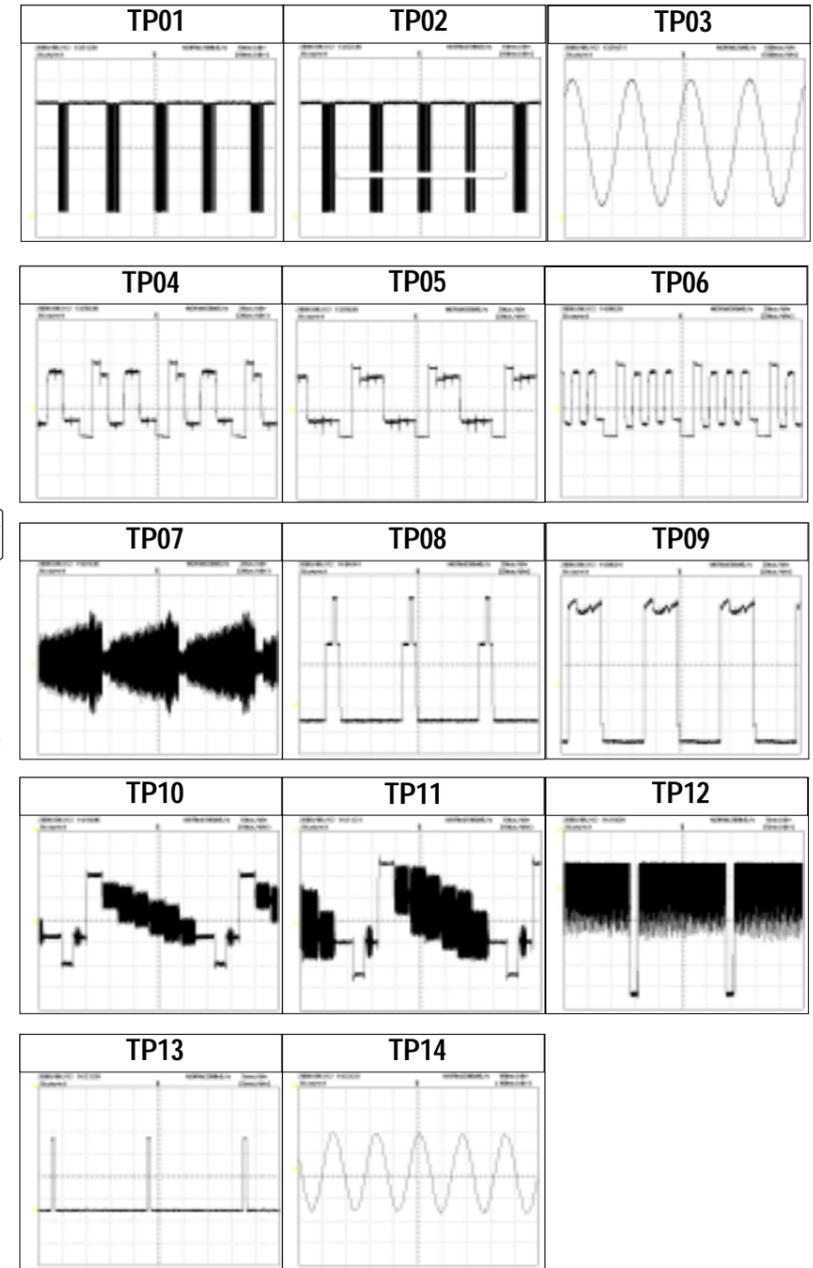
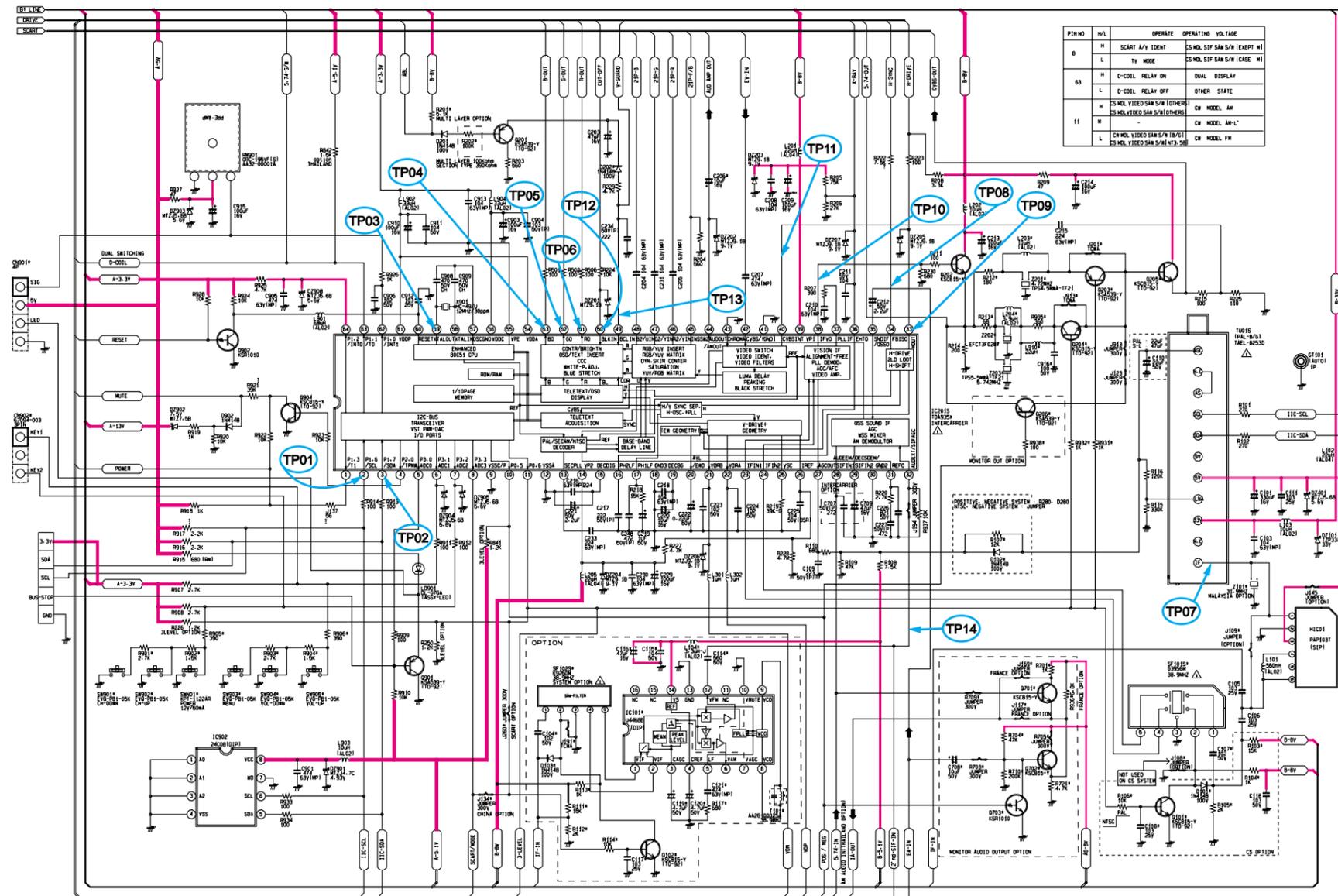
9-1 KS1A



MEMO

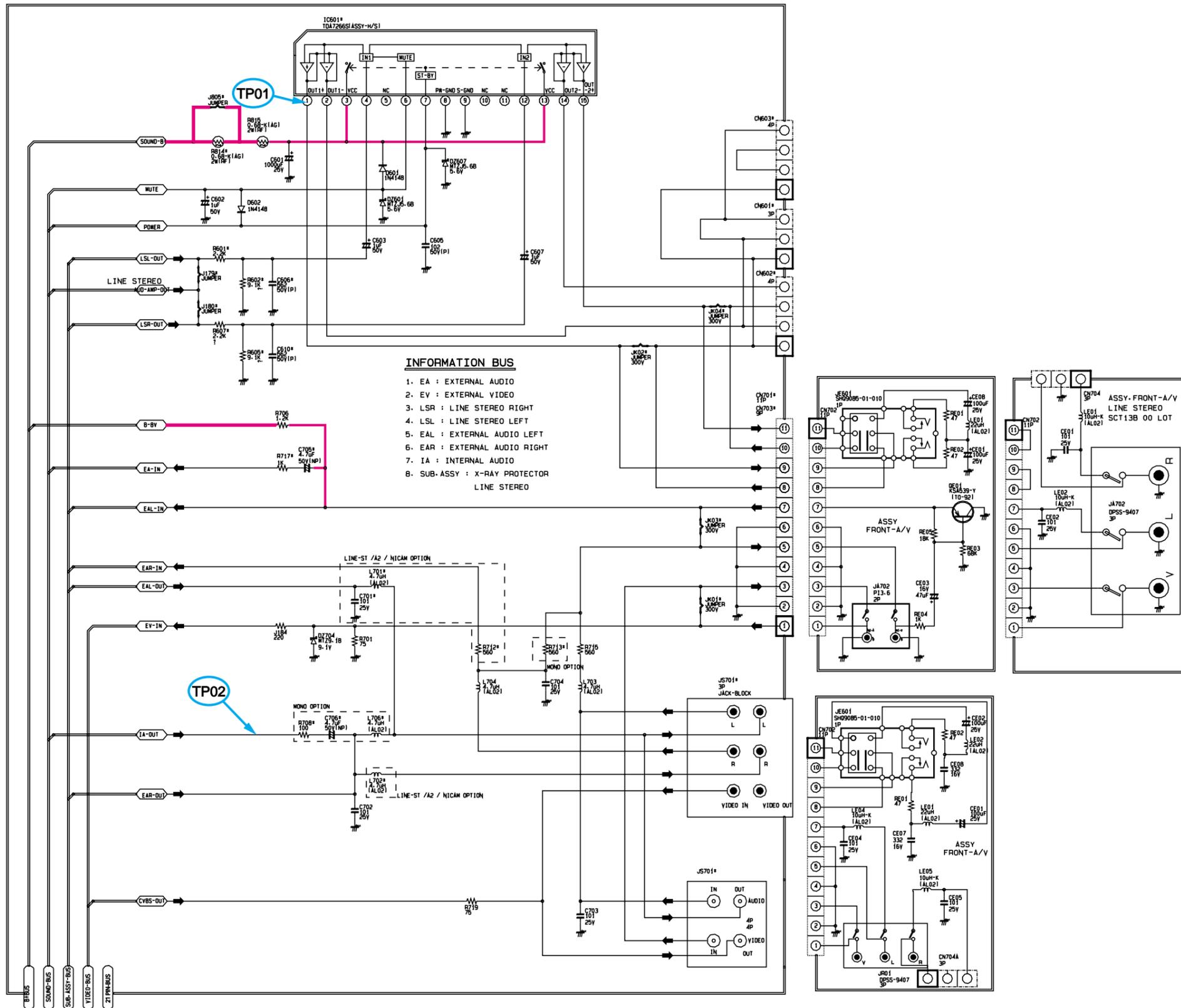
10. Schematic Diagrams

10-1 ONECHIP & MICOM



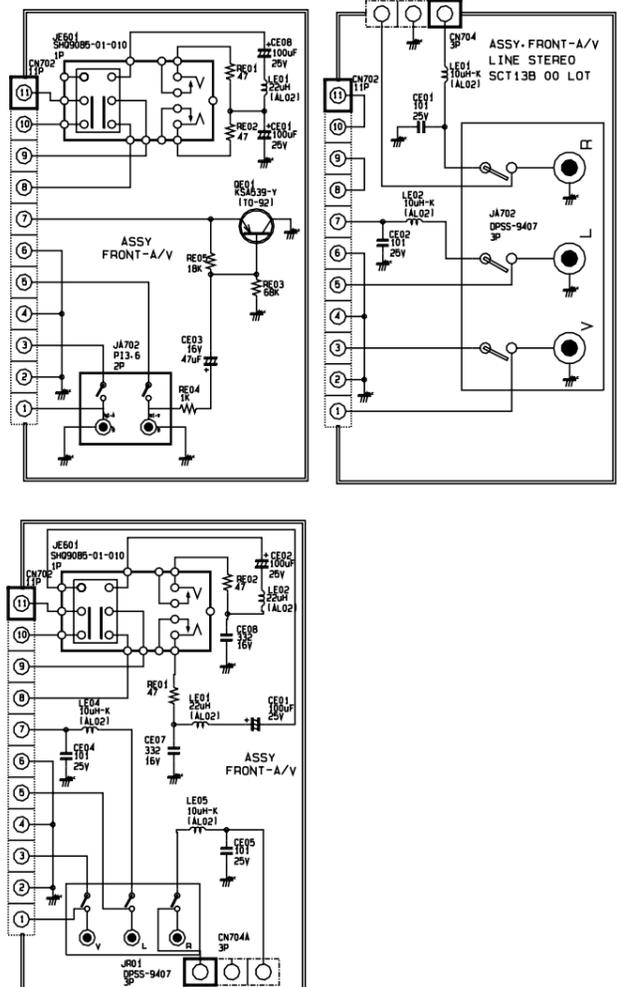
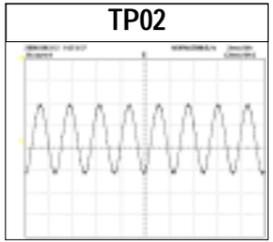
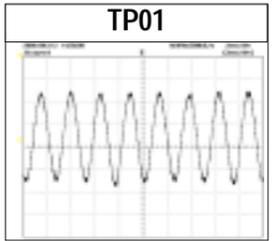
— : Power Line

10-2 SOUND, EXT-A/V (RCA)



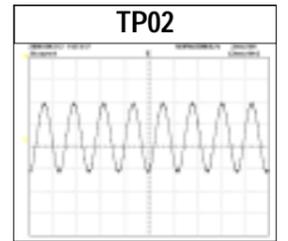
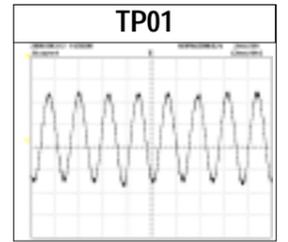
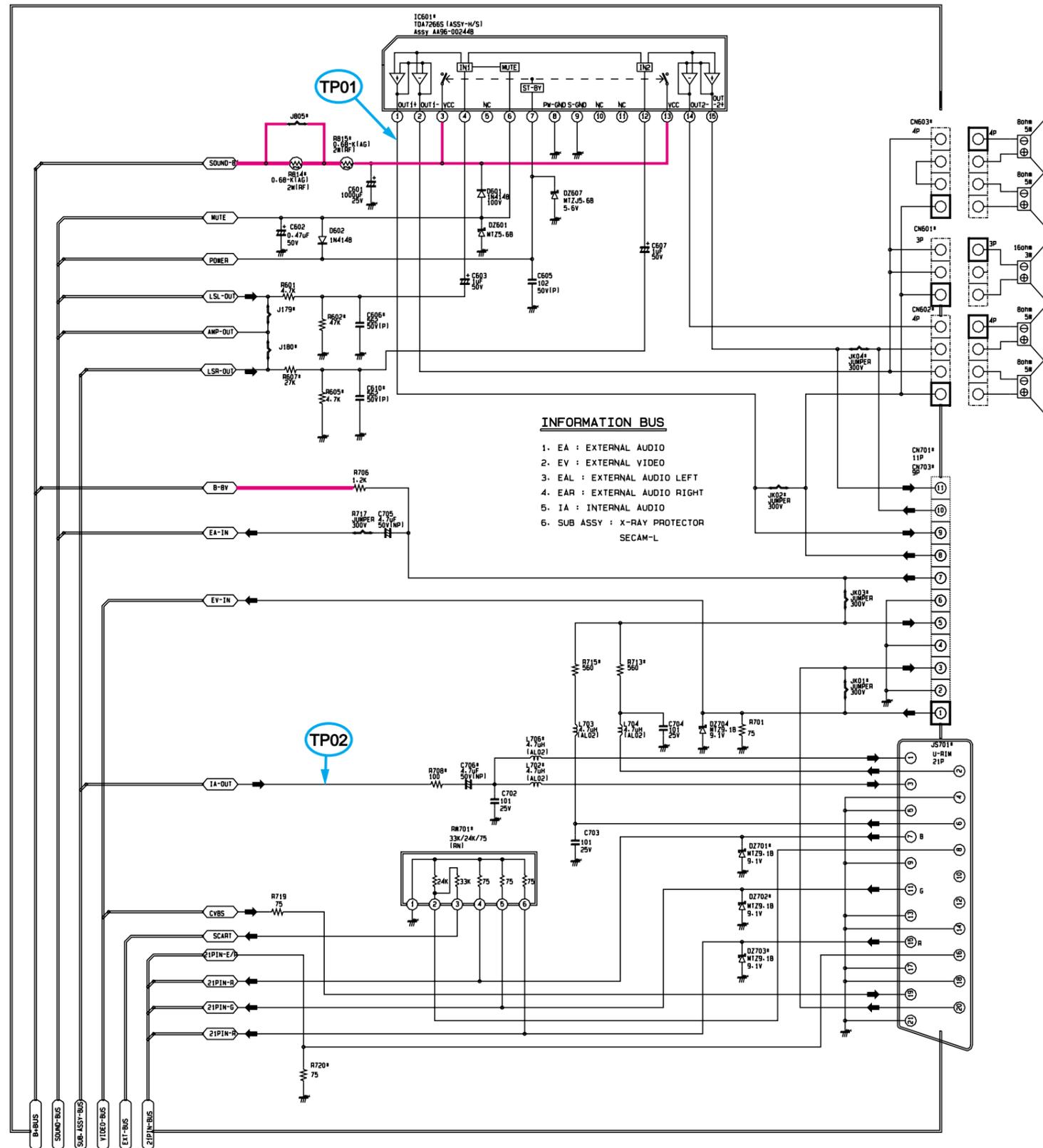
INFORMATION BUS

- 1. EA : EXTERNAL AUDIO
- 2. EV : EXTERNAL VIDEO
- 3. LSR : LINE STEREO RIGHT
- 4. LSL : LINE STEREO LEFT
- 5. EAL : EXTERNAL AUDIO LEFT
- 6. EAR : EXTERNAL AUDIO RIGHT
- 7. IA : INTERNAL AUDIO
- 8. SUB-ASSY : X-RAY PROTECTOR LINE STEREO

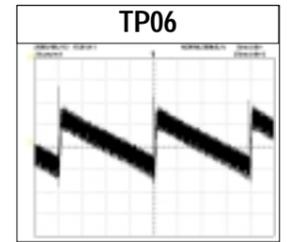
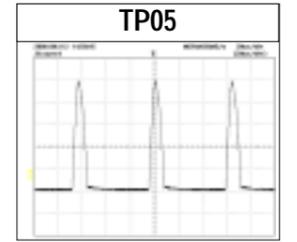
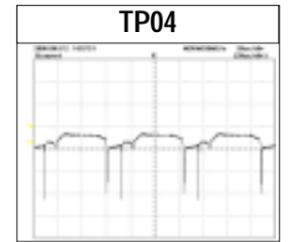
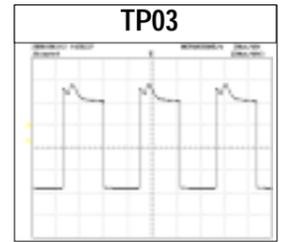
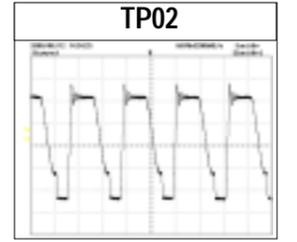
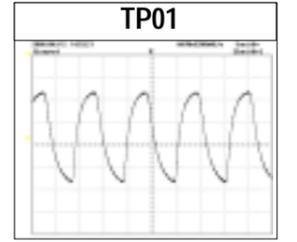
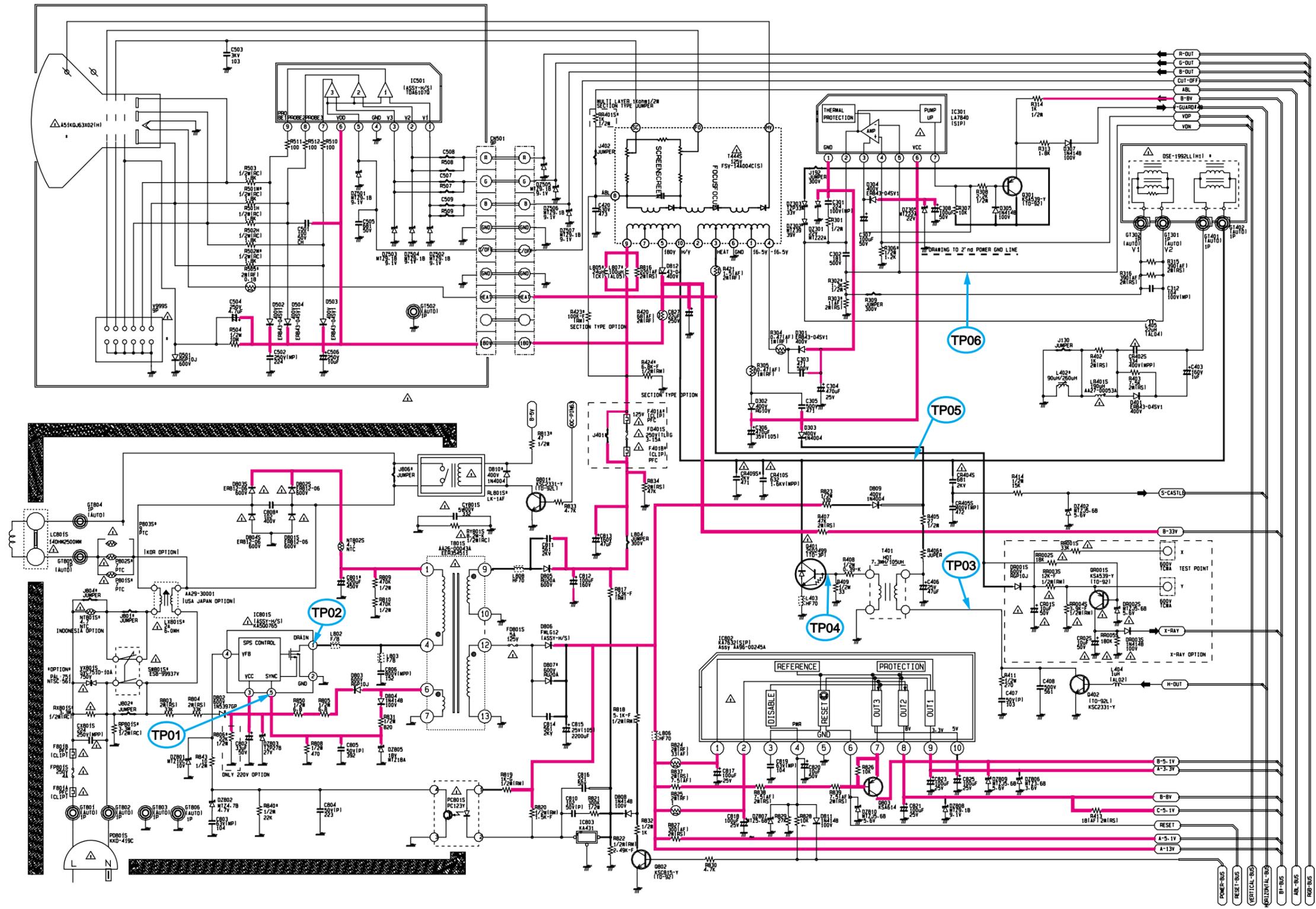


— : Power Line

10-3 SOUND, EXT-A/V (SCART)



10-4 POWER / CRT / VERTICAL / HORIZONTAL



Power Line