

This installation guide provides instructions for installing and performing the initial configuration of the Nextiva® S2750e series IP cameras. It covers the S2750eN and S2750eP models. For more information on specific configuration, accessing and using the web interface, and other aspects of the product, refer to the *Nextiva S2750e Series User Guide*.

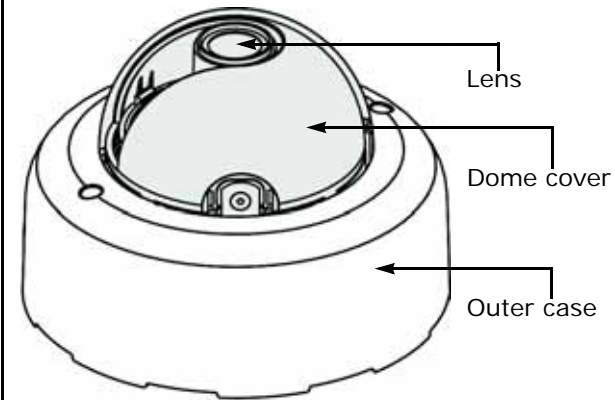
Installation Kit

The package contents are:

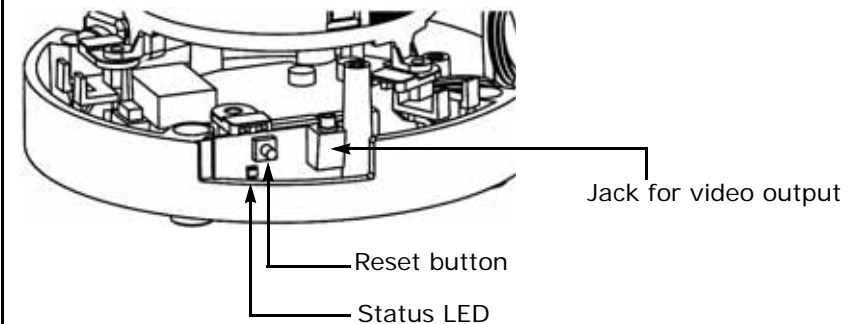
Item	Description
Camera	S2750eN or S2750eP
Video output adaptor	A 2.5 mm to BNC video output adaptor (3 foot/1m long)
Rubber cap	A rubber cap for the cable entry
Printed material	This installation guide
Options	
Power-over-Ethernet (PoE) kit	An IEEE 802.3af class 3 injector and power cord
12V DC external power supply	A universal power supply
Dome cover	A smoked dome cover

Hardware Overview

Side:



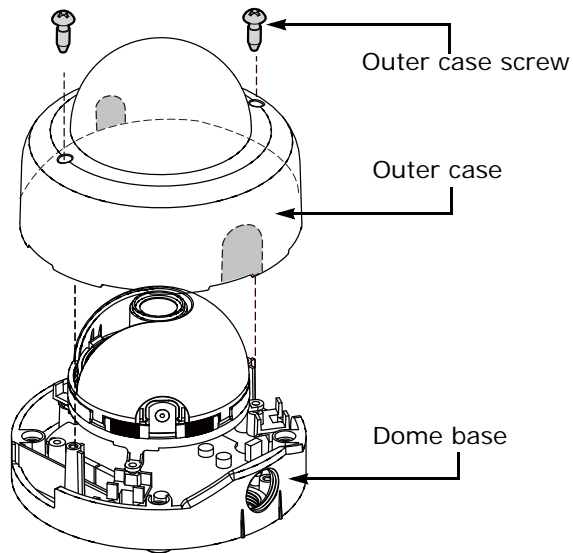
Service board:



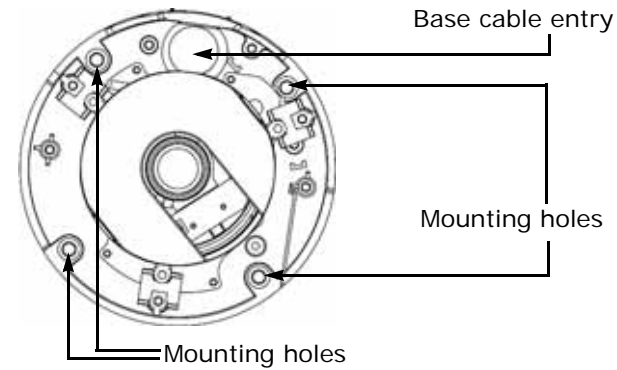
Mounting

Preparation

1. Remove the outer case by loosening the two case screws with a Phillips screwdriver.

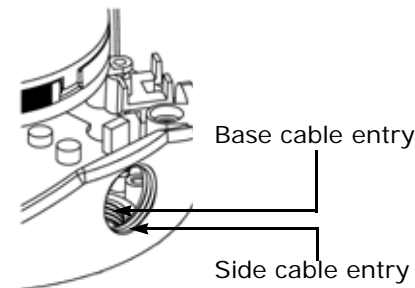


2. If you are mounting the camera on the ceiling or wall, mark the four positions for fixing the dome base on the mounting surface, then make the four holes.

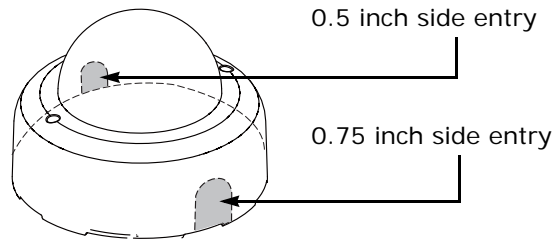


If you are mounting the camera on an electrical box, you will use only two of the four mounting holes on the dome base.

3. If you are using the base cable entry, replace the plastic cap by the supplied rubber cap, then make a hole at the desired location on the mounting surface.



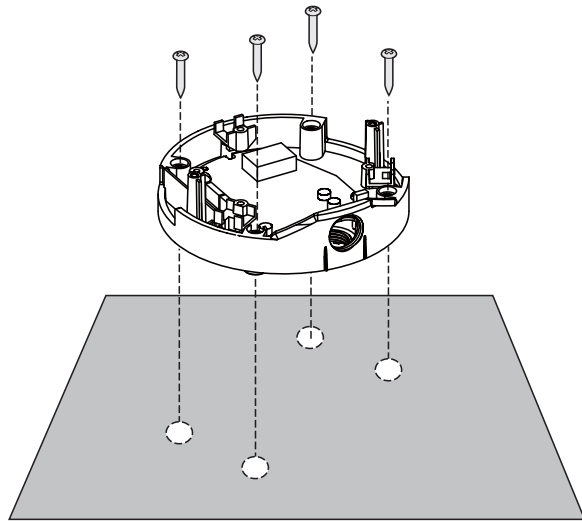
4. If you are using the side cable entry on the dome base, open the desired hole on the outer case with pliers. Insert the supplied rubber cap in the dome cable entry.



Installation

1. Mount the camera:

- On the ceiling or wall, install the dome base on the mounting surface, using four screws (not supplied).



- On an electrical box, use two screws (not supplied).

2. Feed the cables through the bottom or side hole on the outer case. Ensure that the cables exit out of the hole without being crushed.

3. If the camera uses power-over-Ethernet, refer to the *Nextiva S2750e Series User Guide* for the power and Ethernet connections. Go to step 6.
4. Establish the Ethernet connection of a 12V DC camera by plugging a cable between the RJ-45 connector at the end of the Ethernet cable and a device.
5. Power the 12V DC camera. If you are using the universal power supply sold by Verint:
- a. If the electrical plug installed on the power supply is the right one for the country of operation, go to step d.
 - b. Remove the installed plug by pushing the PUSH button and keeping it pushed while turning the plug in the counterclockwise direction.
 - c. Insert the required plug on the power supply then turn it in the clockwise direction until you hear a click.
 - d. Tie together the power supply wire with the dashed white lines and the black wire on the camera using a splice.
 - e. Tie together the other power supply wire and the red wire on the camera using a splice.
 - f. Power the camera by connecting the electric plug into the outlet.
- For any other power supply, refer to the manufacturer documentation for the proper wiring scheme.
6. Adjust the image to point to the location to be monitored. For the details, refer to the user guide.

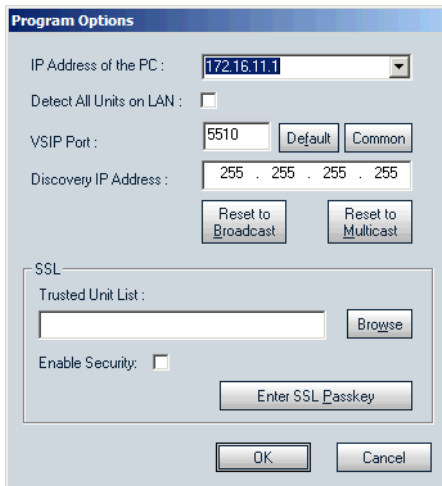
Configuration

To configure the device, you need the SConfigurator software. It is included on the Verint web site: www.verint.com/manuals. Copy its executable file (*SConfigurator.exe*) to the hard disk of your computer.

To make the camera operational in your environment, you need to connect it to the IP network. Then you complete the configuration with SConfigurator, the web interface, or your video management software.

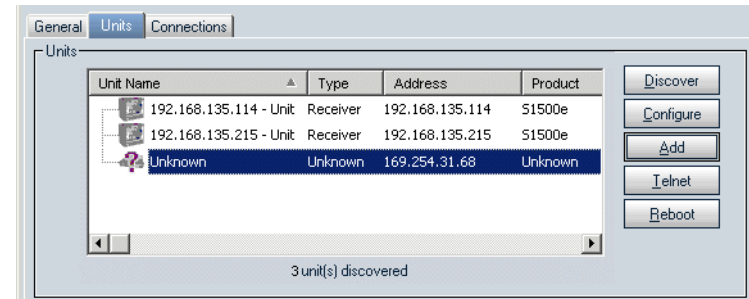
1. Ensure that the camera is powered and connected to the Ethernet network.

2. Start SConfigurator by double-clicking SConfigurator.exe on your hard disk.
3. In the General tab, click **Program Options**.

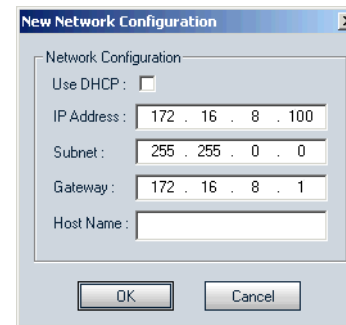


4. Check **Detect All Units on LAN**.
5. Ensure that the **VSIP Port** is 5510; otherwise, click **Default**.
6. Ensure that the **Discovery IP Address** is 255.255.255.255; otherwise, click **Reset to Broadcast**.
7. Click **OK**.

8. Select the **Units** tab, then click **Discover**. A device of type "Unknown" with a 169.254.X.Y IP address appears in the Units box; it corresponds to your new device.



9. Select the unknown device, then click **Configure**.
10. In the Reconfigure unit? confirmation window, click **Yes**.



11. If you have a DHCP server on your network, check **Use DHCP**. Otherwise, enter the IP address, subnet mask, and gateway of the device, as provided by your network administrator.
12. Click **OK**. The device reboots with its new network settings.
13. In the Units tab, click **Discover** to update the list of devices and see the S2750e with its new settings. The S2750e initial configuration is now complete.

For more information, refer to the *Nextiva S2750e Series User Guide*, which is available on www.verint.com/manuals.

© 2007-2009 Verint Systems Inc. All Rights Reserved Worldwide.

23-500-0027-002