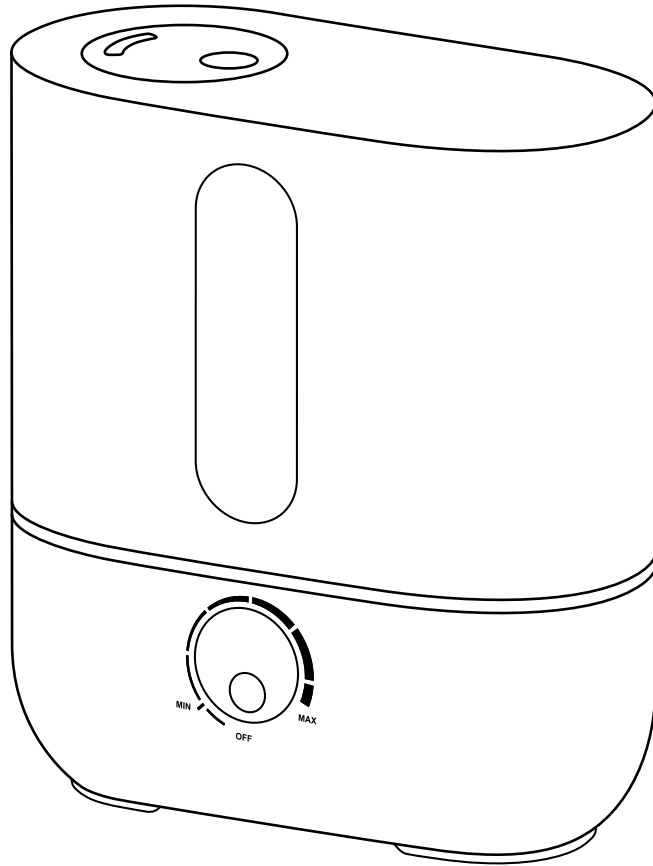


AIR-O-SWISS 
ADVANCED AIR TREATMENT SYSTEMS



AOS U200



Gebrauchsanweisung (5 – 16)	de	Instrukcja obsługi (89 – 100)	pl
Instructions for use (17 – 28)	en	Инструкция по эксплуатации (101 – 112)	ru
Instructions d'utilisation (29 – 40)	fr	Bruksanvisning (113 – 124)	se
Istruzioni per l'uso (41 – 52)	it	Käyttöohje (125 – 136)	fi
Gebruiksaanwijzing (53 – 64)	nl	Brugsanvisning (137 – 148)	dk
Instrucciones para el uso (65 – 76)	es	Bruksanvisning (149 – 160)	no
Használati útmutató (77 – 88)	hu	使用说明书 (161 – 171)	cn

Foreword

Congratulations on choosing the Ultrasonic Humidifier U200!

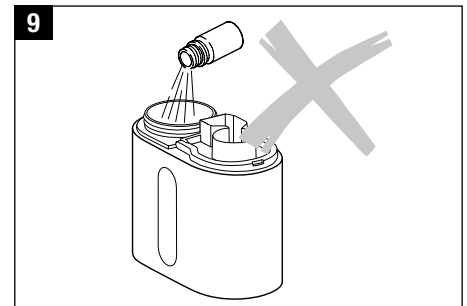
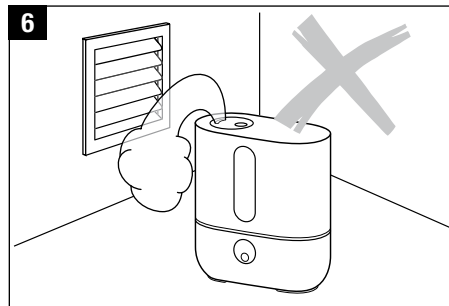
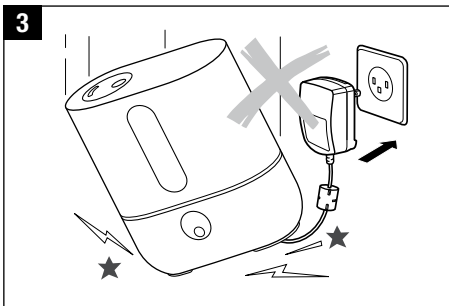
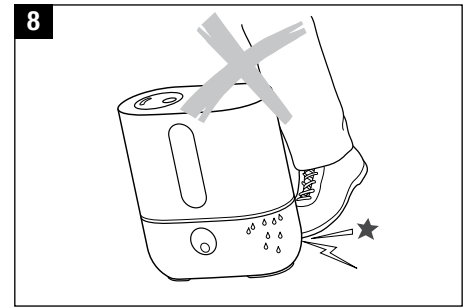
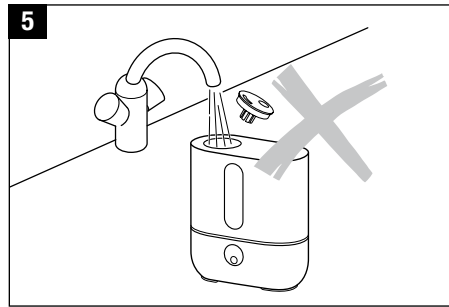
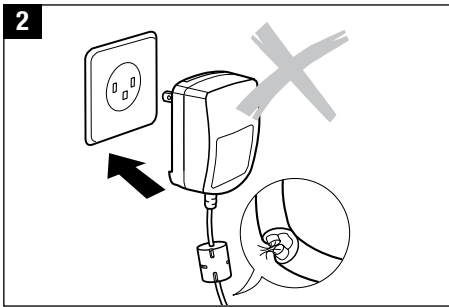
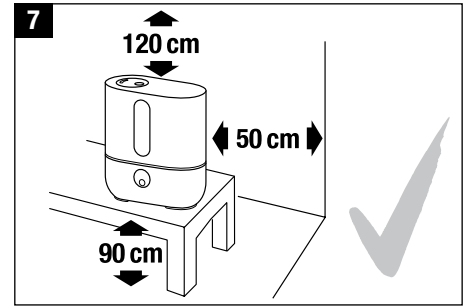
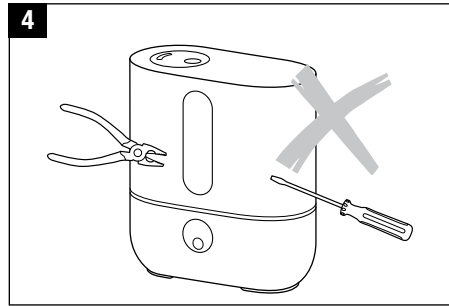
Proper use:

The appliance must only be used for the humidification of the air indoors.

Safety instructions

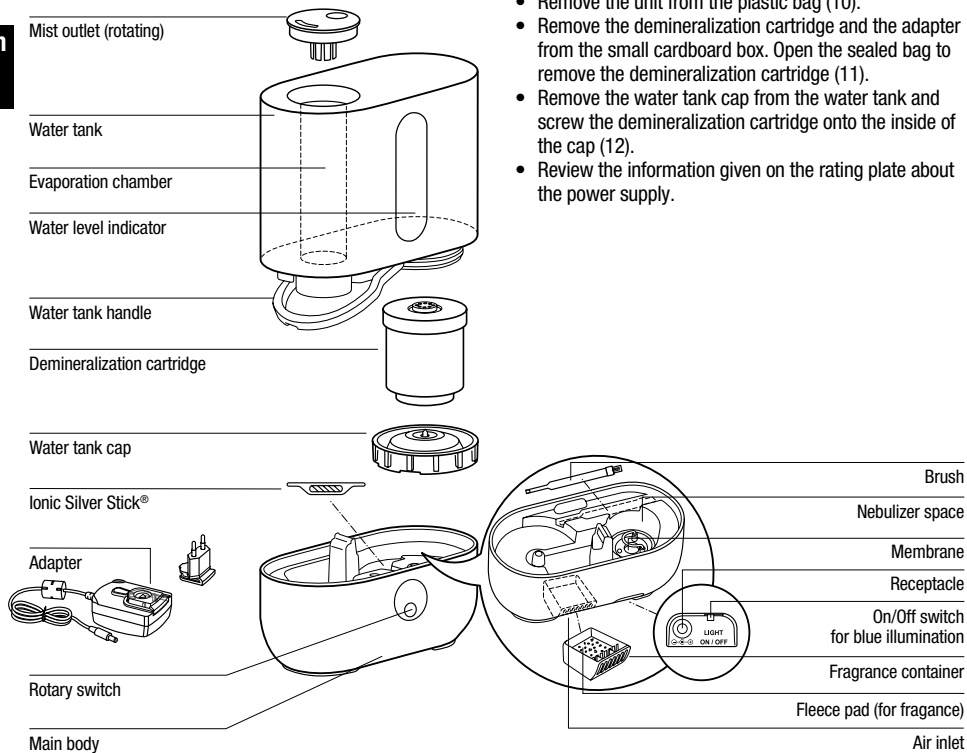
- Read the operating instructions carefully before using the appliance and keep them in a safe place for later reference.
- Only use the appliance indoors and within the parameters stated in the technical specifications. Using the appliance for a purpose for which it is not intended could pose a serious hazard to health and life.
- This appliance is not to be used by persons (including children) with impaired physical, sensory or mental capacities or insufficient experience and knowledge, unless they are supervised by someone who is responsible for their safety or given assistance with the use of this appliance. Children should be supervised to ensure that they do not play with the appliance (fig. 1).
- Use only the original adapter provided for operating the unit. The adapter provided may not be used for other units.
- Never use the appliance if there is any damage to the appliance or cable (2), after malfunction has occurred, after the appliance has been dropped (3) or damaged in any other way.
- Only operate the appliance when it is completely assembled.
- Repairs to electrical appliances may only be carried out by qualified service engineers (4). Improper repair work can pose a considerable hazard to the user.
- Disconnect the appliance from the mains power before filling/emptying the water tank, before cleaning, before assembling/dismantling of individual parts and before moving the appliance.

- Do not reach inside the nebulizer space during operation. The high frequency oscillation causes the membrane to become hot.
- Never pull the plug from the mains socket by the cable or with wet hands.
- Do not pour water into the mist outlet of the appliance (5).
- Always place the appliance on a dry, level surface.
- Do not place the appliance directly on the floor next to a heater or in the vicinity of electrical equipment. If the released mist reaches the floor or objects before it has fully evaporated, it may cause damage to them (6).
- The unit should be placed in an elevated position (7), e.g. on a table, chest, etc.
- Do not immerse the main body in water or other liquids (28).
- Position the appliance where it cannot be easily knocked over (8).
- Always disconnect from the mains power when not in use.
- Do not run the power cord under a carpet or other objects. Position the appliance so that you will not trip over the cord.
- Do not use the appliance in areas where combustible materials, gases or vapours are present.
- Do not expose the appliance to rain, and do not use it in damp locations.
- Do not insert foreign objects in the device.
- Do not block the air intake or mist outlet.
- Do not sit, stand or place any heavy objects on the appliance.
- To protect **health safety** and **proper humidifier function** use only clean, contamination-free, cold, fresh tap water in your humidifier. If your water source is contaminated or if you are uncertain of its safety use distilled water. In addition, it is advised to **clean and maintain your humidifier** in a timely manner **as instructed in this manual**.
- When fragancing the air, use the fragrance container provided (also see section «Use of fragrances»). Do not add any additives such as essential oils directly into the water tank or the water base (9). These additives will damage your appliance! Appliances that are damaged by additives are excluded from the warranty.
- The appliance does not have an integrated hygrostat. Use an external hygrostat to avoid damage through over-humidification.
- The high frequency vibrations cannot be heard by humans or animals, and are completely safe.
- The manufacturer rejects all liability for damage caused by nonobservance of these instructions for use.



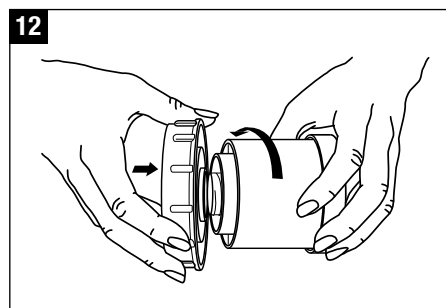
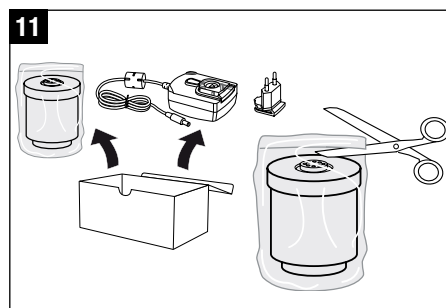
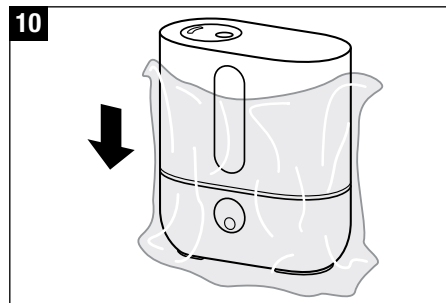
en

Description of the appliance/ Scope of delivery



Unpacking

- Carefully remove the unit from its box.
- Remove the unit from the plastic bag (10).
- Remove the demineralization cartridge and the adapter from the small cardboard box. Open the sealed bag to remove the demineralization cartridge (11).
- Remove the water tank cap from the water tank and screw the demineralization cartridge onto the inside of the cap (12).
- Review the information given on the rating plate about the power supply.



Putting into operation

- Remove the plastic cover of the adapter and insert the country specific plug (13).
- Do not place it directly next to a radiator or on a floor with floor heating. The moisture of the mist can damage the floor surface (6 and 7) (see Safety Instructions).
- The mist outlet must not be pointed directly at plants or other objects. Keep a distance of at least 50 cm (14).
- Soak the demineralization cartridge in a bowl of water for at least 24 hours before using it. The granules have to absorb water to reach maximum performance.
- On average the demineralization cartridge should be replaced every 2 – 3 months. This interval can be shorter or longer depending on the hardness of your water.
- Read the instructions under «Filling the Tank» for filling the water tank.
- Place the water tank onto the base (17).
- Connect the adapter to the unit and the electrical socket and switch on the unit using the rotary switch (18).
- The appliance will reach full capacity about 10 to 15 minutes after being switched on.
- Make sure that the power cord is not pinched anywhere. Do not operate the appliance if the cord is damaged (2).

Filling the tank



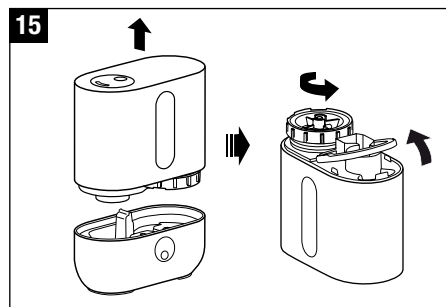
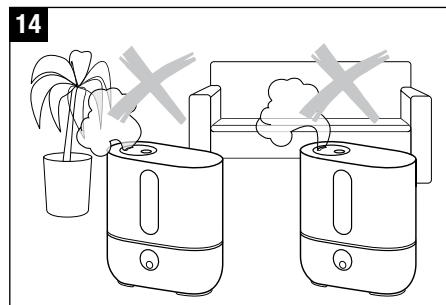
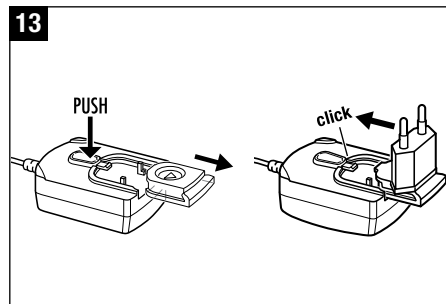
Always switch off the appliance before removing the water tank. Do not reach inside the nebulizer space while the appliance is running!

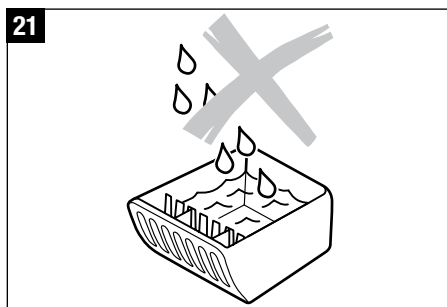
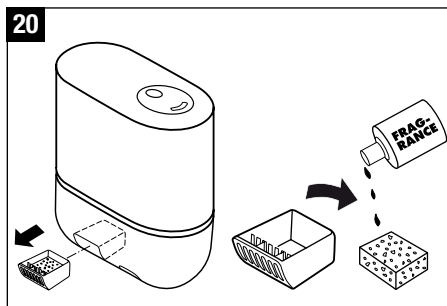
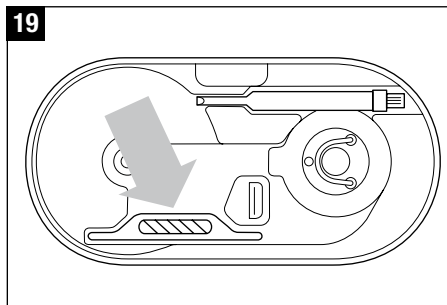
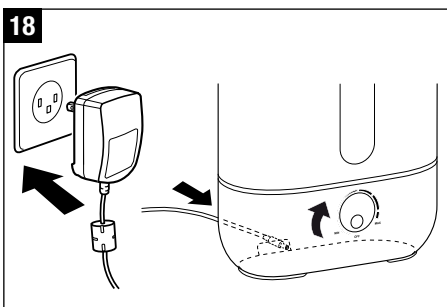
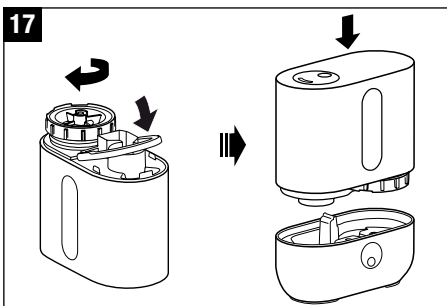
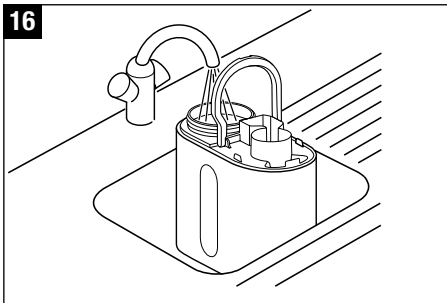


To protect **health safety** and **proper humidifier function** use only clean, contamination-free, cold, fresh tap water in your humidifier. If your water source is contaminated or if you are uncertain of its safety use distilled water.

Do not operate the appliance when the water tank is empty! When the water reaches the minimum level, the unit switches off automatically.

- Make sure that there are no foreign objects inside the water tank.
- Remove the water tank cap from the tank (15). Fill the tank with clean, cold tap water (16). Close the cap of the water tank securely! Place the water tank onto the base (17). Do not add any additives to the water!
- Connect the adapter to the unit and the electrical socket and switch on the unit using the rotary switch (18).





Water quality maintenance

The Ionic Silver Stick utilizes the antimicrobial property of silver and provides one season of optimum water quality maintenance in all AIR-O-SWISS and BONECO humidifiers. The ISS begins working as soon as it comes into contact with water – even if the unit is switched off. The ISS is intended exclusively for use in humidifiers. Look at picture 19 for the position of the ISS in the appliance. Do not reach inside the nebulizer space during operation. Switch off the unit first.

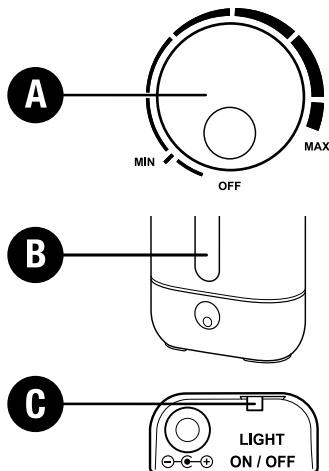
Use of fragrances

On the outside of the main body is a fragrance container (20). Remove the fragrance container by pushing it briefly. Fragrances can be dribbled onto the fleece pad in the container. A few drops are sufficient – liquid must not be present in the container. Apply fragrances only onto the fleece pad or a cotton-wool pad and never add directly to the container (21)! Water additives (e.g. etheric oils, fragrances, water purifiers) must NOT be added to the water tank or directly into the nebulizer space! Even a small amount can damage the plastic of these parts or create cracks. Appliances that are damaged by additives are not covered by the warranty.



Remove the fragrance container before emptying and cleaning the appliance.

Operation



A) On-off switch and regulation of mist output

Turning the rotary switch clockwise switches the appliance on and at the same time regulates the mist output from low to high.

B) Water level indicator

The water level indicator clearly shows how much water is in the appliance. The appliance switches off automatically when the water tank is empty. The water level indicator illuminates red. For further information please read the section «Filling the tank». After inserting the full tank, it may take a few seconds until the red light goes out.

C) Switching blue illumination on/off

The blue illumination can be switched on and off with the sliding switch on the backside of the main body. The red illumination cannot be switched off.

Cleaning/Maintenance



Always switch the appliance off before removing the water tank. Do not reach inside the nebulizer space while the appliance is running!

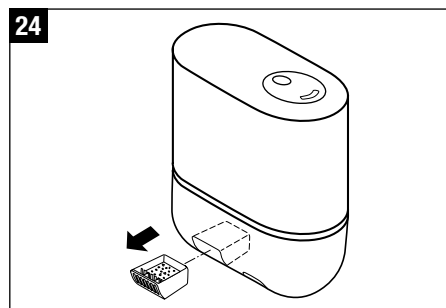
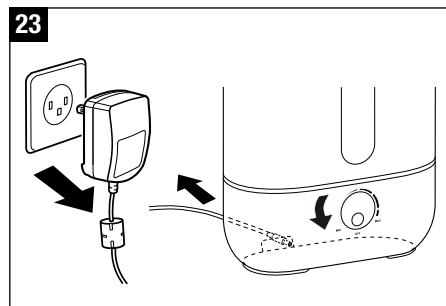
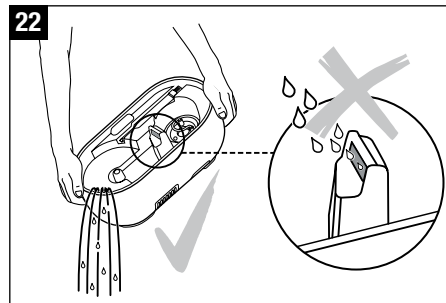


Only use CalcOff for decalcification and cleaning of the product. Damage that is caused by the use of other cleaning agents is not covered by the warranty.

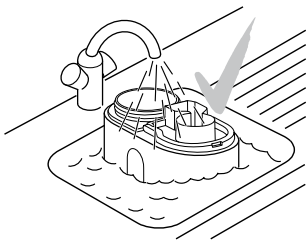


Caution: water must not be allowed to enter the ventilation opening! This will damage the appliance (22).

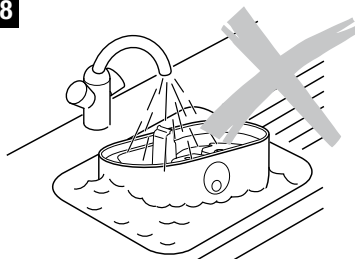
- Switch the appliance off and unplug the adapter from the appliance (23).
- Remove the fragrance container by pressing it briefly (24).
- Clean the water tank and the nebulizer space regularly once a week (25/30).
- Decalcify the nebulizer space regularly with CalcOff (26). Rinse out the decalcification agent thoroughly with plenty of water. When doing so, ensure that no water enters the ventilation opening.
- Removing the mist outlet (27): use either the brush or a spoon to lift the mist outlet through the opening to remove it.



25



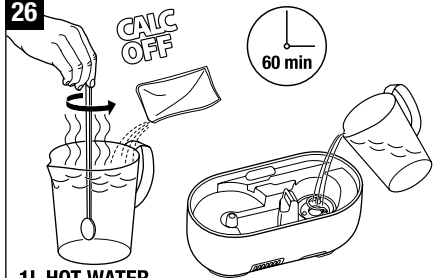
28



Important

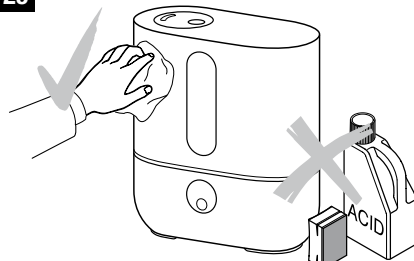
- Make sure that no water gets into the lower part of the main body (28).
- Clean the inner parts with a soft cloth. Never use any solvents or aggressive cleaning agents (29).
- Only use the brush to clean the membrane (30). This should be done once a week.
- Change the water in the tank at least once a week.

26

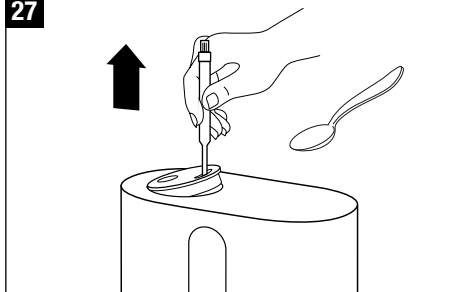


1L HOT WATER

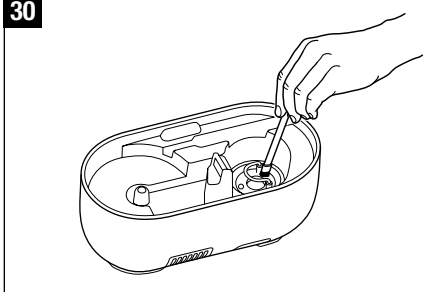
29



27



30



Replacement of the demineralization cartridge

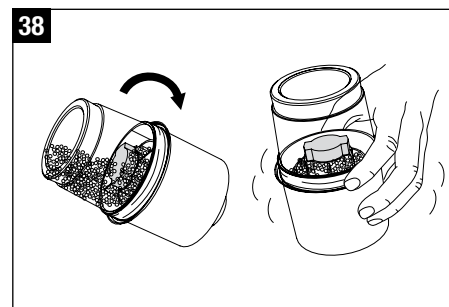
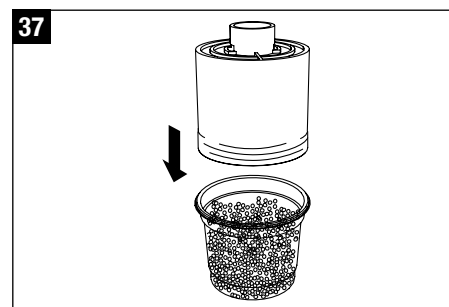
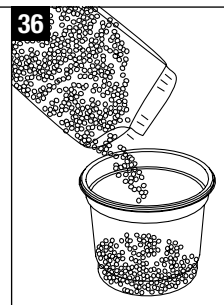
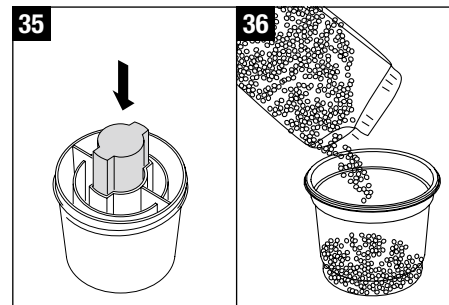
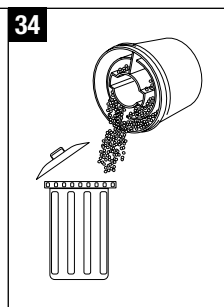
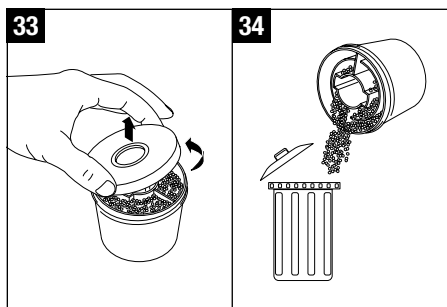
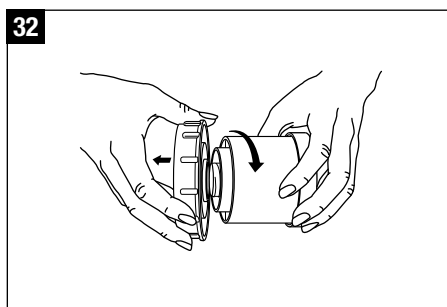
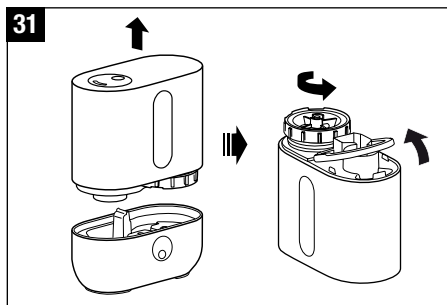


Always switch off the appliance before removing the water tank. Do not reach inside the nebulizer space while the appliance is running!

The cartridge must be replaced every 2 – 3 months. If the water is very hard, it may be necessary to replace the cartridge earlier. White dust around the appliance is a sure sign that the cartridge needs replacing. If white residue continues to form around the appliance after a new cartridge has been inserted, please make sure that the water you are using is untreated. If the water flows through a domestic decalcification system before it is used in the unit, salt will precipitate around the appliance.

Option A: Replace the granules

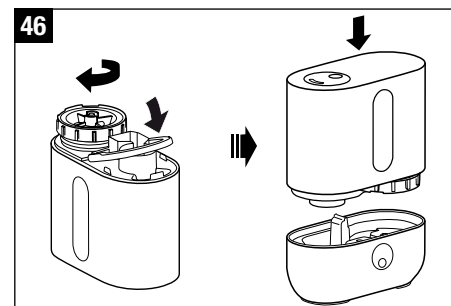
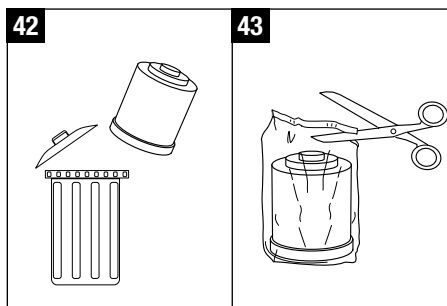
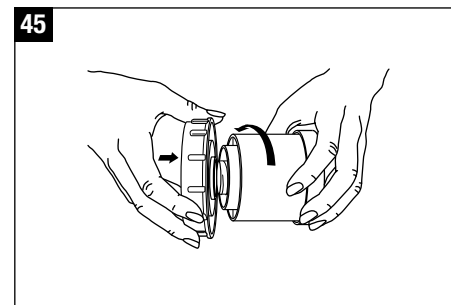
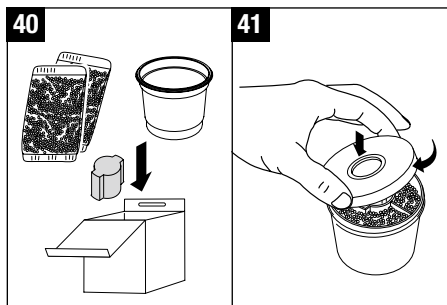
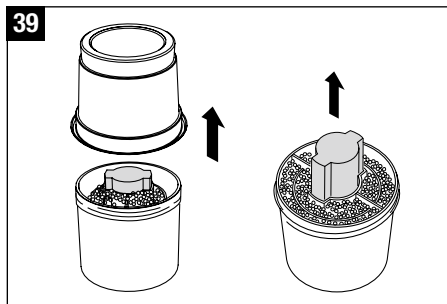
- Remove the water tank from the base and unscrew the water tank cap (31).
- The demineralization cartridge is attached to the inside of the cap. Unscrew the cartridge from the cap by turning it counter-clockwise (32). Important: do NOT dispose of the tank cap!
- Open the cartridge (33).
- Throw the content (granules) into the waste (34). Attention! Disposed granules can make the floor slippery!
- Place the enclosed pink styrofoam piece in the center of the cartridge (35).
- Pour the contents of one refill resin bag into the plastic cup that is included with the refill resin packaging (36).
- Place the empty cartridge with the plug in the center onto the plastic cup (37).
- Turn the plastic cup and cartridge over and shake until all granules are in the cartridge (38).
- Remove the plastic cup and the pink styrofoam piece from the cartridge (39) and retain for future use (the refill resin consists of 3 refill bags) (40).
- Close the cap (41).



- Soak the demineralization cartridge in a bowl of water for at least 24 hours before use (44). The granules have to absorb water to reach maximum performance.
- Now screw the cartridge onto the water tank cap (45). Close the tank cap securely! Place the water tank onto the base (46).

Option B: Replace the entire cartridge

- Remove the water tank from the base and unscrew the water tank cap (31).
- The demineralization cartridge is attached to the inside of the tank cap. Unscrew the cartridge from the cap by turning it counter-clockwise (32). Important: do NOT dispose of the tank cap!
- Dispose of the old cartridge (42).
- Unpack the new cartridge (43).
- Soak the new cartridge in a bowl of water for at least 24 hours before use (44). The granules have to absorb water to reach maximum performance.
- Now screw the cartridge onto the water tank cap (45). Close the tank cap securely! Place the water tank onto the base (46).



Troubleshooting

Problem	Possible cause	What to do
Unit does not operate	Appliance has no power	Connect appliance to power socket
	No water in the tank (Red water level indicator is illuminated)	Fill tank with water
No mist output	Mist output setting too low	Increase mist output
	Residue of cleaning agent	Rinse with clear water
	Demineralization cartridge is clogged	Remove 2-3 tea spoons of granules from the cartridge and dispose of them. Soak cartridge in water for 24 hours
Weak mist output	Water temperature too low	Set mist output to maximum. The appliance will work properly again after 10 minutes.
	Mineral deposits on membrane	Clean membrane
White deposit around the appliance	Demineralization cartridge exhausted	Replace demineralization cartridge or granules

Storing the appliance for extended periods

Clean the appliance as described earlier and allow to dry thoroughly. Preferably store the appliance in its original box, in a dry place away from high temperatures.

Disposal

Return your worn out unit to your dealer for proper disposal. You can obtain information on other ways to dispose of the unit from your local district or town council.



Warranty

The warranty conditions are defined by our representative in the country of sale. Please contact your dealer if, despite strict quality control, your appliance becomes defective. You must present your original receipt when making a claim under the warranty. Repairs to electric appliances can only be carried out by specialists. Through improper repairs, considerable danger for the operator can result and warranty claims lapse.

Technical data

Mains voltage	100 – 240 V / 50-60 Hz
Power consumption up to	20 W
Humidity output up to	300 g/h
Suitable for rooms up to	50 m ² / 125 m ³
Water capacity	3.5 litres
Dimensions	240 x 120 x 263 mm
Weight (empty)	1.8 kg
Operating noise level	< 25 dB(A)
Accessories	Demineralization cartridge A7531 Ionic Silver Stick (ISS) A7017

Legal information

The unit is CE compliant and adheres to the following guidelines:

- 2006/95/EG for electric safety
- 2004/108/EG for electromagnetic compatibility
- 2011/65/EU for the restriction of the use of certain hazardous substances in electrical and electronic equipment
- 2002/96/EG concerning waste electrical and electronic equipment

Subject to technical modifications. The instructions for use are protected by copyright.



Scan QR-Code to watch the
U200 operation video.

www.airoswiss.ch/U200-operation



Scan QR-Code to download
the U200 instruction manual.

www.airoswiss.ch/U200-manual