

18" ELECTRIC FIREPLACE HEATER

OWNERS MANUAL

Model BYCH-18



ONLY use this insert as described in this manual. Any other use is **not** recommended by the manufacturer, and may cause **fire, electric shock, or other personal injury.**



WARNING! Read and understand this entire owner's manual, including **all safety information, before plugging in or using** this product. Failure to do so could result in **fire, electric shock, serious personal injury, or death.**



WARNING! INDOOR use only! NEVER use this product outdoors!

SAVE THESE INSTRUCTIONS!



CAUTION! Keep this owner's manual for future reference. If you sell or give this product away, make sure this manual accompanies this product.

IMPORTANT SAFETY INFORMATION!



WARNING



- **ALWAYS** keep **electric cords, home furnishings, drapes, clothing, papers, or other combustibles** at least **3 feet (0.9m)** away from the front of this insert, and away from the bottom, sides, and rear of this insert.
- **DO NOT** place the insert near a bed because objects such as pillows or blankets can fall off the bed and be ignited by the insert.
- **DO NOT COVER** this insert or **block** the air vents at all. Doing so could cause a **fire**.
- **AVOID fire or electric shock! NEVER** insert or allow any foreign objects to enter the ventilation or exhaust openings of this insert.
- **Prevent Fire!** Keep all **flammable liquids**, like gasoline or paint, away from this insert. This insert produces **arcing sparks** that **could ignite** flammable liquids.
- **DO NOT cover** this insert in any manner. Doing so could block the air flow and cause the unit to **overheat**, or could **ignite** the material covering the insert.
- **NEVER** run the **power cord** under carpet, rugs, runners, or any other covering. Doing so could cause the cord or materials covering the cord to overheat.
- **AVOID FIRE!** Regularly inspect all air vents to make sure they are free from dust, lint, or other blockage. **Unplug the unit** and clean with a **vacuum ONLY**. **DO NOT** rinse or get wet.



WARNING



- **For residential use only! NOT for commercial use! NEVER** use this fireplace for other than its intended purpose.
- Use **extreme caution** if using this insert **near children**, or where children may be present.
- **NEVER** leave this insert unattended. **ALWAYS** unplug this insert when not in use.
- This insert is **hot** when **in use**. **AVOID INJURY! DO NOT TOUCH hot surfaces, or attempt to move this insert while it is hot.**
- **ALWAYS** turn this insert off before unplugging it from the outlet.
- **AVOID INJURY!** Keep the cord from crossing traffic areas to avoid tripping.
- **NEVER modify this fireplace.** Doing so could result in personal injury or property damage. Modification of this fireplace **completely voids all warranties**.
- **Discontinue use** if this fireplace **malfunctions** or is **dropped or damaged in any manner**.

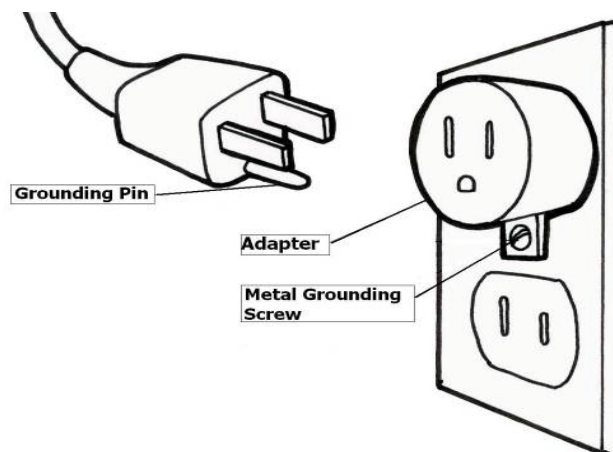


WARNING



- **Risk of electric shock! DO NOT OPEN!** No user-serviceable parts inside!
- **ALWAYS disconnect** this unit from the **power supply before** performing any assembly or cleaning, or before relocating the electric fireplace.
- **ALWAYS** store this insert in a dry location. **NEVER** use the fireplace if it has become wet.
- **NEVER** use this insert in **bathrooms, laundry rooms**, or any other location where the insert could fall into a **bathtub or pool, become damp or come in contact with water**.
- **NEVER** operate this insert if the **power cord or plug** has become **damaged**, or if the **grounding pin** is **damaged or missing**.
- Place the insert near a wall outlet so an extension cord is not needed. If an extension cord is needed, the **gauge** of the cord **must be at least 14AWG**, and the **rating must be at least 1875 Watts**. **NEVER** use a **smaller gauge** cord with a **lower rating**. Doing so may result in **fire or electric shock**.
- **ONLY** use this insert on a **110~120 Volt 15 Amp grounded circuit**. **NEVER overload the circuit**. If this insert trips the circuit breaker, unplug all other appliances on the same circuit before the next use. Avoid plugging other appliances into the same circuit as this insert.
- **NEVER** plug this insert into an outlet that is **old, cracked**, or has any **loose wires or connections**. Plugging this insert into a faulty outlet could result in **electric arcing** within the outlet that could cause the **outlet to overheat or catch fire**.
- **ALWAYS** check your insert cord and plug connections with **each use!**
 - i) **MAKE SURE** the plug fits tight in the outlet! Faulty wall outlet connections or loose plugs can cause the outlet to overheat.
 - ii) **Inserts draw more current** than small appliances. **Overheating** may occur even if it has not occurred with the use of other appliances.
 - iii) During use **check frequently** to see if the **plug outlet or faceplate** is **HOT!**
 - iv) If the outlet or faceplate is **HOT**, **discontinue use immediately** and have a qualified electrician inspect and/or replace the faulty outlets.

- The cord supplied with the insert has a plug with two blades (live and neutral) and one round pin (ground). If a 3-slot receptacle is not available, an adapter **MUST** be used. The adapter **MUST** be **properly grounded** to the outlet box (see figure at right).


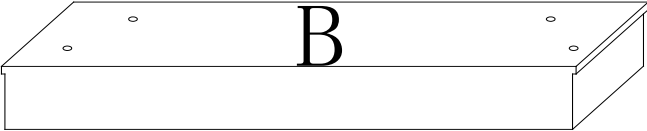


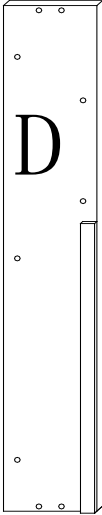
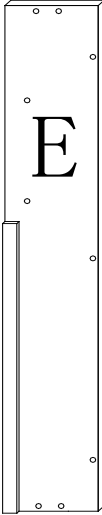
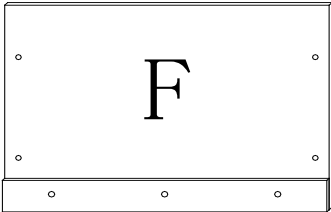



PREPARATION

A complete electric fireplace heater should consist of two parts; the wooden mantle and the fireplace heater. Each is packed in a separate carton. Always use the fireplace heater with the wooden mantle.

Remove all parts from the carton and place them on a clean, soft, dry surface. Check the parts list to make sure nothing is missing. Dispose of packaging materials properly. Please recycle.

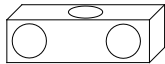
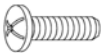
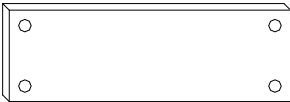
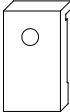
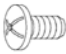
MANTEL PARTS

A – Top Panel (1)	
B – Base (1)	
C – Side Panels (2)	 
D – Right Front Panel (1)	
E – Left Front Panel (1)	
F – Header Panel (1)	
G – Anti-tip Safety Kit	

Right and Left are as viewed from the front of the mantel.

Please note: These images, and the assembly step images, show the mantel as viewed from behind.

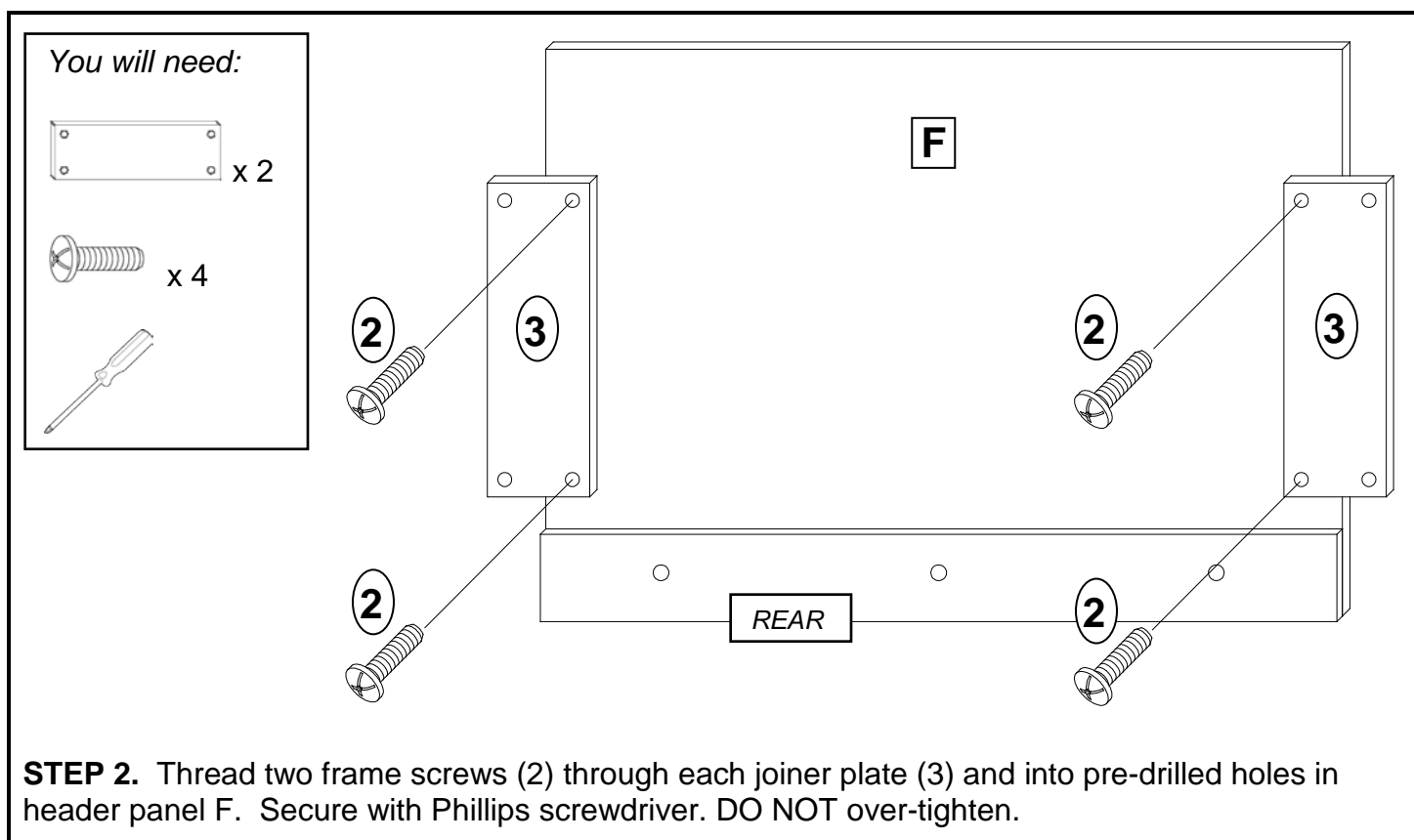
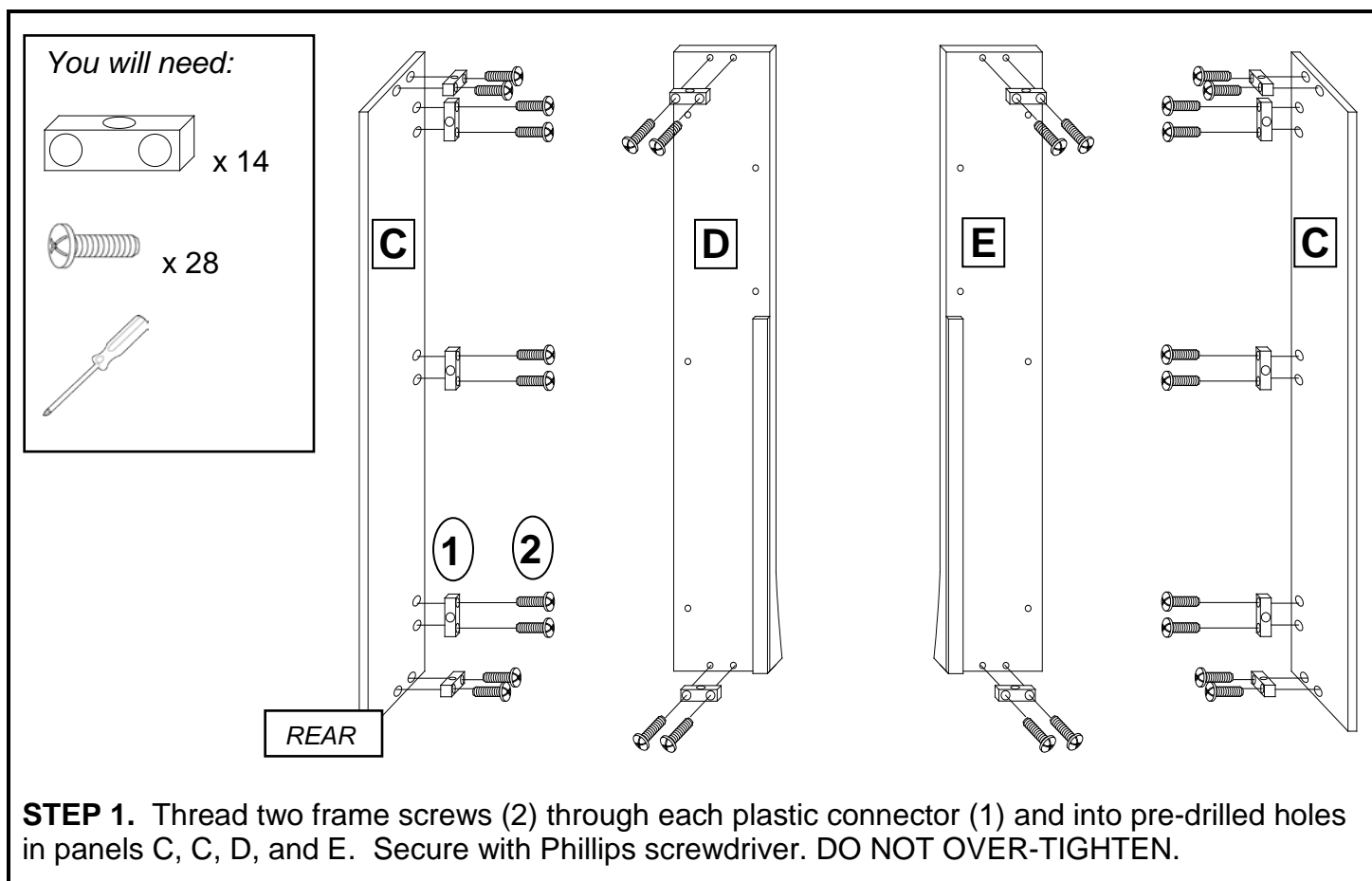
MANTEL and INSERT HARDWARE

 <p>1 - Plastic Connectors (16)</p>	 <p>2 - Frame Screws (52)</p>	 <p>3 – Joiner Plates (2)</p>	 <p>4 - Insert Mounting Clips (3)</p>	 <p>5 - Insert Mounting Screws (3)</p>
--	--	--	--	---



Note: A Phillips screwdriver is required for assembly, but is not included.

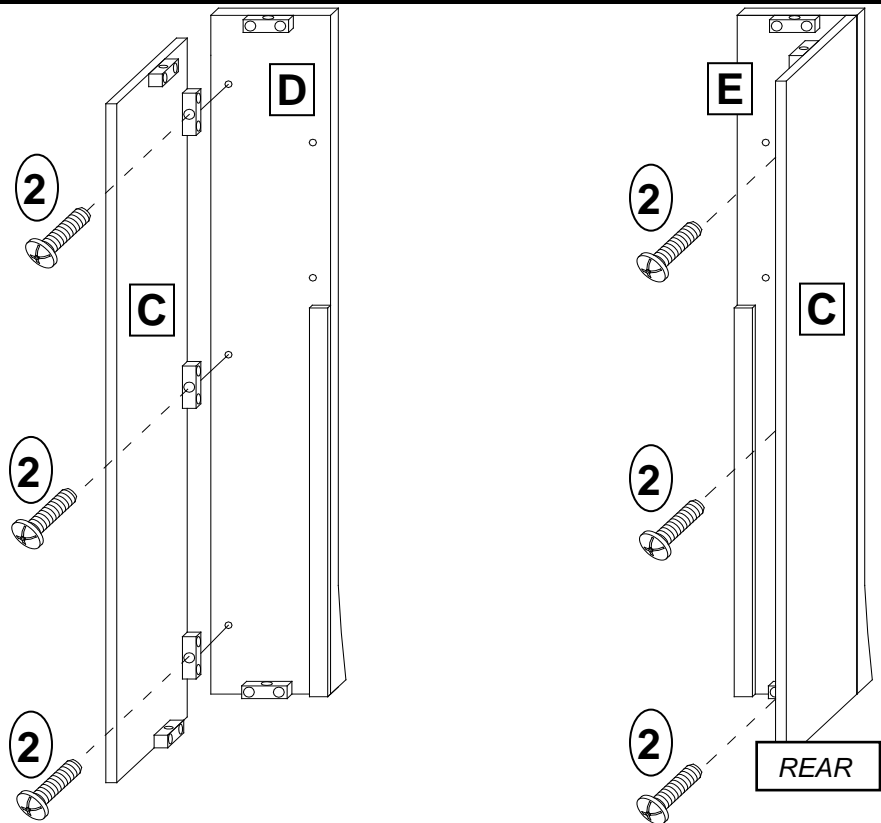
ASSEMBLY



You will need:



x 6

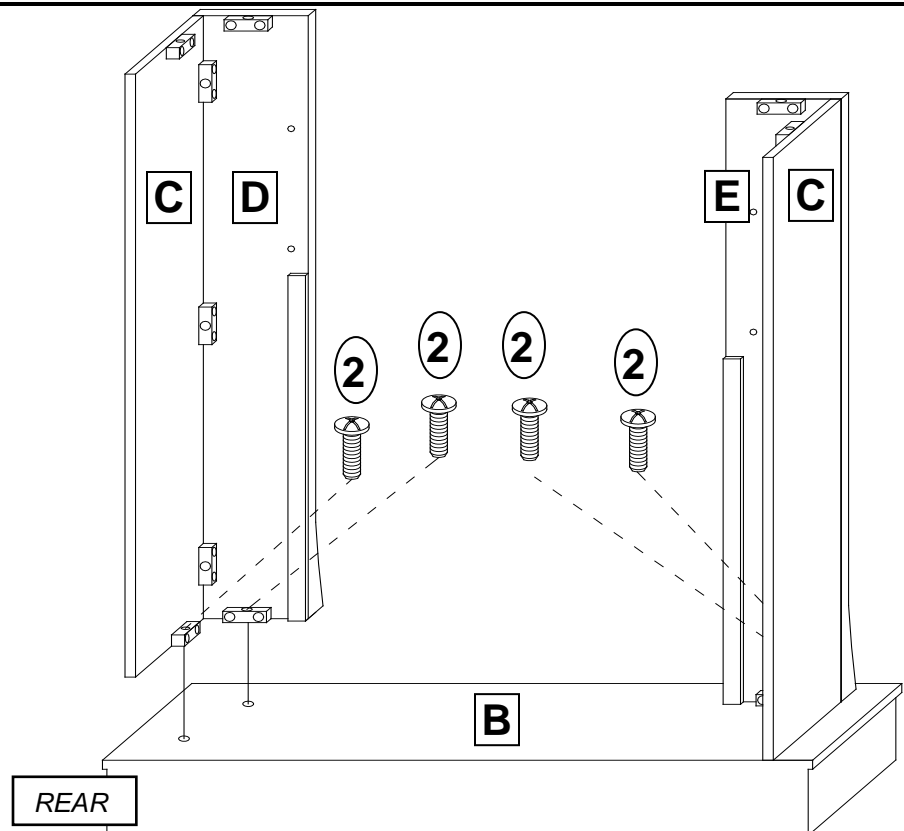


STEP 3. Thread a frame screw (2) through each plastic connector on side panels (C) and into pre-drilled holes in front panels D and E. Secure with Phillips screwdriver. **DO NOT** over-tighten.

You will need:

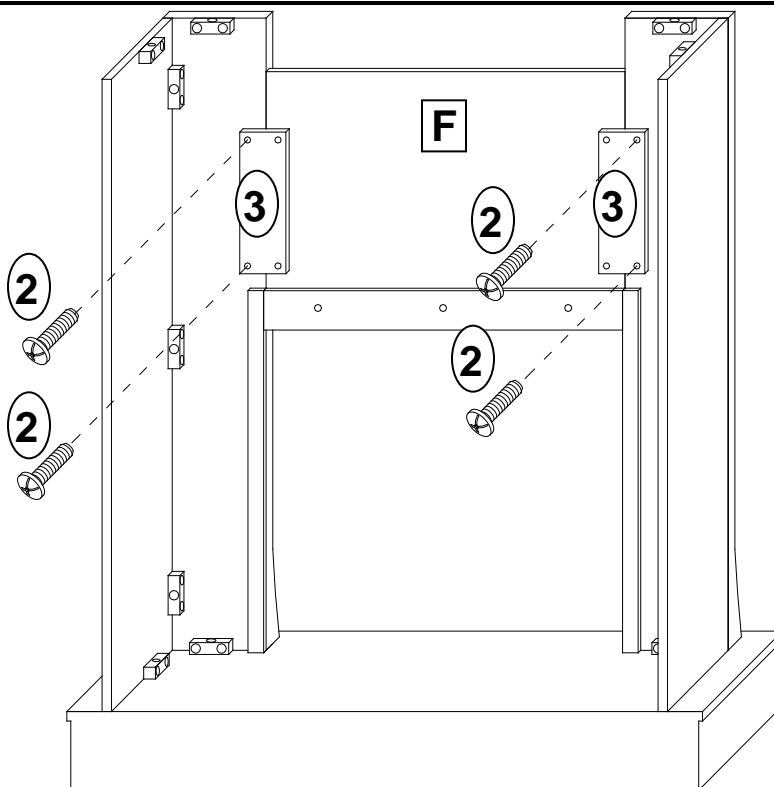


x 4



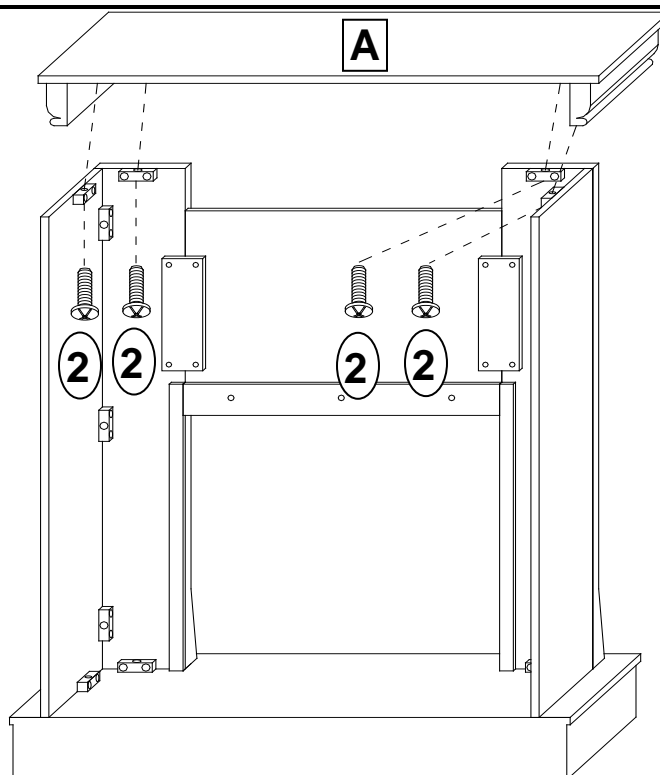
STEP 4. Thread a frame screw (2) through each plastic connector on panel assemblies (C/D and C/E) and into pre-drilled holes in base (B). Secure with Phillips screwdriver. **DO NOT** over-tighten.

You will need:



STEP 5. Align joiner plates (3) of header panel (F) with panel assemblies (C/D and C/E). Thread a frame screw (2) through each joiner plate hole and into pre-drilled holes in front panels. Secure with Phillips screwdriver. **DO NOT** over-tighten.

You will need:



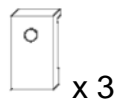
STEP 6. Set top panel (A) on top of side panel assemblies (C/D and C/E). Thread a frame screw (2) through each plastic connector on side panel assemblies (C/D and C/E) and into pre-drilled holes in top panel (A). Secure with Phillips screwdriver. **DO NOT** over-tighten.

INSERT INSTALLATION



ALWAYS unplug this fireplace insert before installing, cleaning, or relocating it. Failure to do so could result in **electric shock, fire, or personal injury.**

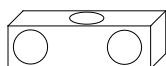
You will need:



x 3



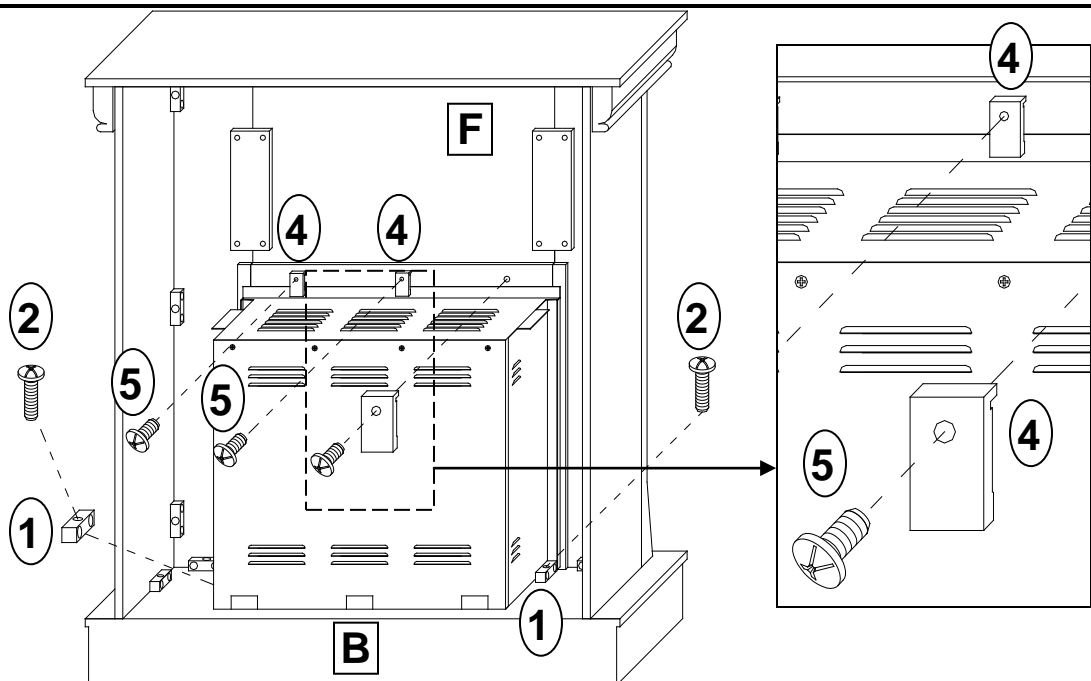
x 3



x 2



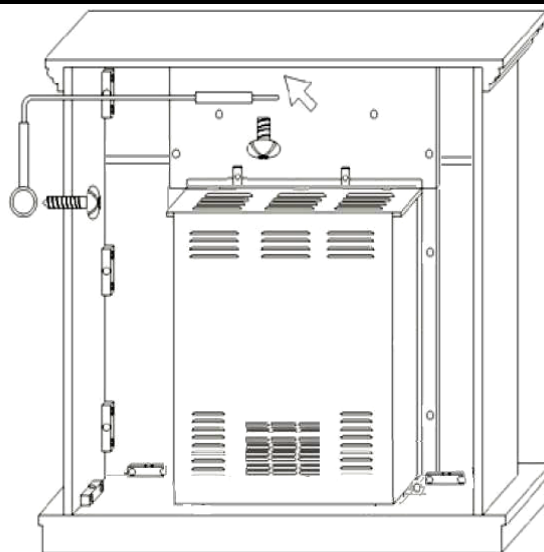
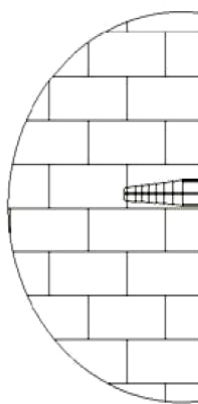
x 2



STEP 1. Slide electric fireplace insert carefully into mantel from behind until flange is flush with mantel wall and insert is centered in front opening. Thread a mounting screw (5) through each mounting clip (4) and into pre-drilled holes in header panel (F). Thread a frame screw (2) through each plastic connector (1) and into pre-drilled holes in base (B) on each side of insert. Tighten with Phillips screwdriver. Check to make sure insert is secure and does not move about.

ANT-TIP SAFETY KIT INSTALLATION

1. Drill a 5/16" hole in the wall. Insert the plastic wall anchor into the hole and gently tap it in until it is flush with the wall. (If a wall stud is present, the wall anchor is not necessary.)
2. Attach the safety cable to the underside of the mantle shelf with the screw provided.
3. Place the fireplace mantel close to the wall.
4. Thread the wall anchor screw through the other end of the safety cable and into the wall anchor. Pull on the cable to make sure it is secure.
5. Tighten each screw securely.
6. Inspect all fasteners regularly to make sure they are secure.



WARNING! This cable may reduce possible risk of injury if the fireplace is improperly handled. But, it is not a substitute for proper adult supervision. **NEVER leave children unattended near this product!**

OPERATION

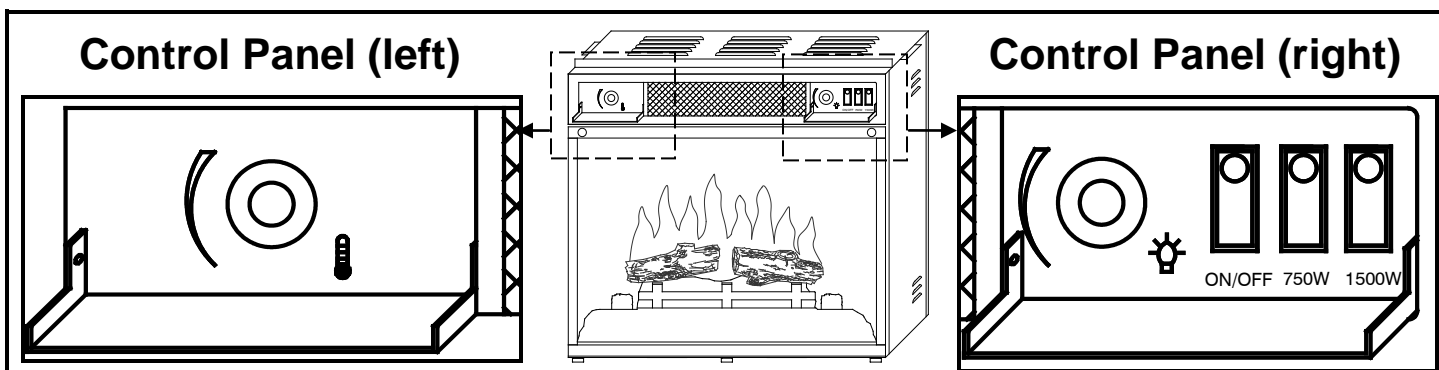


Read and understand this entire owner's manual, including **all safety information on pages 2 and 3**, **before plugging in** or **using** this product. Failure to do so could result in electric shock, fire, serious injury, or death.

Power

Make sure the ON/OFF switch, located on the control panel, is in the OFF position. Plug the power cord into a 110~120 Volt 15 Amp grounded outlet (see **IMPORTANT SAFETY INFORMATION** on **Pages 2 and 3**). Make sure the outlet is in good condition and that the plug is not loose. **NEVER** exceed the maximum amperage for the circuit. **DO NOT** plug other appliances into the same circuit.

Control Panel



BUTTON	ACTION / FUNCTION	INDICATION / RESULT
ON/OFF	<ol style="list-style-type: none"> Open right panel door. Press once to enable control panels. Press again to shut off power. 	<ol style="list-style-type: none"> Power light and flame effect turn on. Control panels are enabled. Power light turns off. All power is off.
	<ol style="list-style-type: none"> Turn knob clockwise (right) to increase flame effect brightness. Turn knob counter-clockwise (left) to reduce flame effect brightness. 	<ol style="list-style-type: none"> Flame effect will gradually get brighter. Flame effect will gradually get dimmer.
750W	<ol style="list-style-type: none"> With ON/OFF switch on, press once for low heat (750W). Press again to turn off low heat. 	<ol style="list-style-type: none"> Heater and fan turn on low (750W). Low heat turns off.
1500W	<ol style="list-style-type: none"> With ON/OFF and 750W switches on, press once for high heat (1500W). Press again to turn off high heat. 	<ol style="list-style-type: none"> Heater and fan turn on high (1500W). High heat turns off. Low heat stays on.
	<ol style="list-style-type: none"> Turn knob clockwise (right) to increase thermostat setting. Turn knob counter-clockwise (left) to decrease thermostat setting. Once desired room temperature is reached, turn knob left until you hear "click." 	<ol style="list-style-type: none"> Heater will turn off when thermostat setting is reached. Flame effect continues to darken each time the button is pushed. Heater will turn on and off to maintain this temperature setting.

NOTICE

When the insert is first turned on, a slight odor may be present. This is normal and should not occur again unless the insert is not used for a long period of time.

NOTICE

The light bulbs may become loose during shipping. If the flame effect does not operate properly, check the light bulbs to make sure they are properly secured in the sockets. Bulbs should be finger tight. Do not over-tighten.

Temperature Limiting Control

This insert is equipped with a Temperature Limiting Control. Should the insert reach an unsafe temperature, the insert will automatically turn OFF. To **reset** the insert, please follow these steps:

1. Unplug the power cord from the outlet.
2. Turn the ON/OFF switch on the CONTROL PANEL to OFF.
3. Wait 10 minutes.
4. Inspect the fireplace to make sure no vents are blocked, or clogged with dust or lint. If they are, use a vacuum to clean the vent areas.
5. With the POWER switch in the OFF position, plug the power cord back into the outlet.
6. Turn the unit back ON.
7. If the problem continues, have your outlet and wiring inspected by a professional.

CARE & MAINTENANCE



ALWAYS turn the fireplace insert **OFF**, **unplug the power cord from the outlet**, and **allow the unit to cool** before performing maintenance, cleaning, or moving this fireplace. Failure to do so could result in **electric shock, fire, or personal injury**.

Cleaning



NEVER immerse in water or **spray with water**. Doing so could result in **electric shock, fire, or personal injury**.

Glass:

- To remove fingerprints or other marks from the glass, use a clean damp cloth.
- Do not spray glass cleaner or other liquids directly onto the window.

Metal:

- **NEVER** use abrasive cleansers, liquid sprays, or any cleaner that could scratch the surface.
- Clean metal surfaces with a clean damp cloth making sure not to push dust or debris into any air intake or exhaust vents.

Wood:

- Wipe gently with a slightly damp cloth.
- **NEVER** use abrasive cleansers, liquid sprays, or any cleaner that could scratch the surface.

Vents:

- Use a vacuum or duster to remove dust and dirt from the heater and vent areas.
- Clean the exterior of the fireplace with a slightly damp cloth or duster.
- **NEVER** spray anything directly into the heater vents, or other openings.

Changing the Light Bulbs

There are two (2) 40W Type B-10 light bulb located under the log bed.



ALWAYS use care when handling **glass!** Although this is safety glass it may break if bumped, struck or dropped. **NEVER** operate this product with **missing or broken glass.**

<p>1. Carefully unscrew both screws and remove the glass panel.</p>	<p>2. Remove the screw at each end of the log bed.</p>	<p>3. Lift out the log bed to access the light bulbs.</p>
<p>4. Loosen and remove the burnt out bulb(s). Always replace with 40W Type B-10 bulbs. 5. Replace log embers and glass panel. Securely tighten the screws, but DO NOT over-tighten.</p>		



AVOID burns! Light bulbs can become **extremely hot during use!** **ALWAYS** wait at least **15 minutes after turning off** the unit **before removing** the light bulbs.



NEVER exceed the recommended bulb wattage (**40W**)! Use of a **higher rated bulb** may result in a **fire causing personal injury and/or property damage!**

Maintenance



Risk of electric shock! DO NOT OPEN! No user-serviceable parts inside!



ALWAYS turn the fireplace insert **OFF**, **unplug the power cord from the outlet**, and **allow the unit to cool before** performing maintenance, cleaning, or moving this fireplace. Failure to do so could result in **electric shock, fire, or personal injury.**

Electrical and Moving Parts:

- The fan motors are lubricated at the factory and will not require lubrication.
- Electrical components are integrated in the fireplace and are not serviceable by the consumer.

Storage:

- Store insert in a clean dry place when not in use.

Replacement parts:

- Use only replacement parts supplied by the manufacturer. Use of any other parts, or modifying the fireplace in any way, will void all warranties.



WARNING! No other servicing should be performed by the consumer. Do not attempt to service the unit yourself.

Limited Warranty

This warrants to the original purchaser that this product is free from defects in material and workmanship as of the date of purchase and that it will, under normal use and proper care, remain so for one year from the date of purchase. Missing or initially defective parts will be replaced free of charge during the period of this limited warranty. The original dated sales receipt is required for all warranty claims. This warranty does not cover damage which has occurred during transport from the point of purchase to the consumer's home. This warranty does not cover glass, light bulbs, remote controls, or batteries.

This product is for residential use only. Any and all commercial use of this product voids all warranties, and frees the manufacturer from all liability. The following will void this warranty: Damage caused from tampering with, modifying, or altering the fireplace insert in any manner; Damage due to incorrect assembly, improper care, misuse, or abuse; Damage from being used with the wrong power source; Water damage; Damage caused from this insert being used outdoors; Damage caused from this insert being used for excessive periods of time; Damage caused by the insert being used in a commercial application; Damage from use as a primary heat source; Other misuse or abuse not specifically listed herein. **This product is not intended to be used as a primary heat source.**

VENDOR DEVELOPMENT GROUP, INC.(HEREAFTER, VDG), ITS DIRECTORS, OFFICERS, OR AGENTS, WILL NOT BE LIABLE TO THE PURCHASER OR ANY THIRD PARTY, WHETHER IN CONTRACT, IN TORT, OR ON ANY OTHER BASIS, FOR ANY INDIRECT, SPECIAL, PUNITIVE, EXEMPLARY, CONSEQUENTIAL, OR INCIDENTAL LOSS, COST, OR DAMAGE ARISING OUT OF OR IN CONNECTION WITH THE SALE, MAINTENANCE, USE, OR INABILITY TO USE THIS PRODUCT, EVEN IF VDG, OR ITS DIRECTORS, OFFICERS, OR AGENTS HAVE BEEN ADVISED OF THE POSSIBILITY OF SUCH LOSSES, COSTS OR DAMAGES, OR IF SUCH LOSSES, COSTS, OR DAMAGES ARE FORESEEABLE. IN NO EVENT WILL VDG, OR ITS OFFICERS, DIRECTORS, OR AGENTS BE LIABLE FOR ANY DIRECT LOSSES, COSTS, OR DAMAGES THAT EXCEED THE PURCHASE PRICE OF THE PRODUCT.

Some jurisdictions do not allow the exclusion or limitation of incidental or consequential damages, so the above limitation or exclusion may not apply to the purchaser. This limited warranty gives you specific legal rights, and you may also have other rights which vary from jurisdiction to jurisdiction.

Thank you for purchasing this Electric Fireplace! If you need assistance with assembly, have questions about the use of this product, or have missing or defective parts, please e-mail us at

customerservice@vendord.com

Or, call us toll-free (M-F 8:30 AM to 4:30 PM Central Standard Time) at

1-866-561-0731

Vendor Development Group, Inc.
Minneapolis, MN 55401
Made in China

