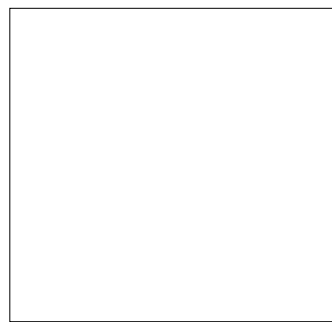


CLASSIC 110 Gas  
t o l e d o 110 Gas  
Professional 110 Gas  
Falcon 110 Gas



# Users Guide

Installation & Service Instructions



# Australia

## Please note

This instruction covers 4 different models. Although the some of the illustrations may look different to your particular model we hope the meaning is clear.

## Be safe

### Warning

**Accessible parts will become hot in use. To avoid burns and scalds children should be kept away**

You need clean fresh air - so does your cooker. Burner flames produce exhaust gases, heat and moisture. Make sure that the kitchen is well ventilated: keep natural ventilation holes open or install a powered cooker hood that vents outside. If you have several burners on or use the cooker for a long time, open a window or turn on an extractor fan. For more detail see the Installation Instructions.

We recommend you read 'General Safety Instructions' (especially if you have not used a dual fuel cooker before) where we describe some basic guidelines on how to use a dual fuel cooker safely.

### Gas and Electricity on

Make sure that the gas supply is turned on and that the cooker is wired in and switched on. The cooker needs electricity.

### Peculiar smells

When you first use your cooker it may give off a slight odour. This should stop after a little use.

**Before using for the first time, to dispel manufacturing odours, turn the ovens to 240°C and run for an hour.**

**Make sure the room is well ventilated to the outside air, by opening windows or turning on a cooker hood for example. We recommend that people with respiratory or allergy problems should vacate the area for this brief period.**

**Turn on the grill and run for 30 minutes with the grill pan in position, pushed fully back, and the grill door open.**

### Installation

Failure to install the appliance correctly could invalidate any warranty or liability claims and lead to prosecution

This appliance shall be installed in accordance with the regulations in force and only in a well ventilated space. Read the instructions before installing or using this appliance.

**This appliance should not be installed in a boat or caravan.**

# Contents

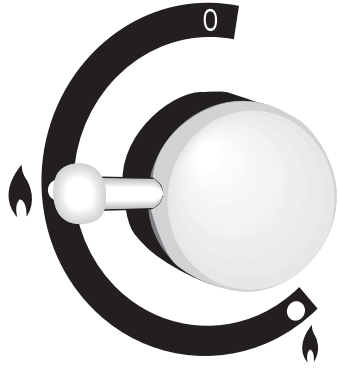
---

Hotplate burners	Page 4
The Griddle	Page 5
Warmer	Page 5
The Grill	Page 6
The Ovens	Page 7
The Clock	Page 8
Cooking using the timer	Page 9
Oven cooking	Page 10
Oven shelves	Page 10
The Handyrack	Page 11
Oven light	Page 11
Storage	Page 11
Moving your cooker	Page 12
Cleaning your cooker	Page 14
Troubleshooting	Page 17
General Safety Instructions	Page 19
Installation	Page 22
Servicing Notes	Page 31
Conversion to another gas	Page 36
Technical Data	Page 38
Circuit Diagram	Page 39

# Australia

## Hotplate burners

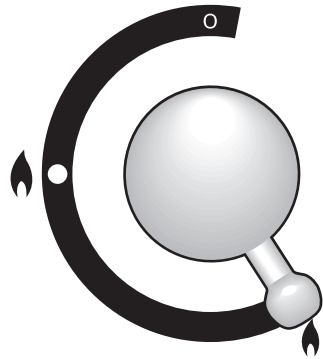
1



The drawing by each knob indicates which burner that knob controls.

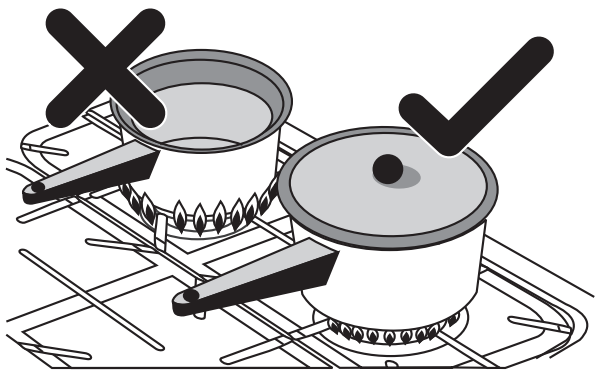
Press the igniter button, and push in and turn a knob to the large flame symbol (🔥). Alternatively light with a match.

2



Adjust the flame height to suit by turning the knob. On this cooker the low position is beyond high, **not** between high and off. The small flame marks the 'low position'. Turn the knob towards it after the contents of a pan have boiled.

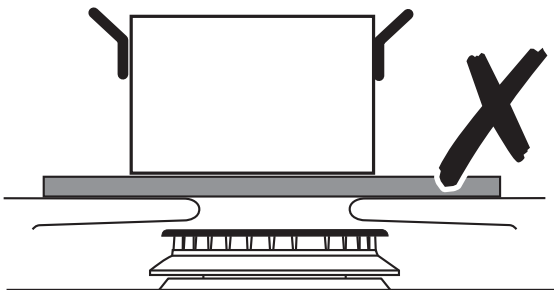
3



Make sure flames are under the pans. Using a lid will help the contents boil more quickly.

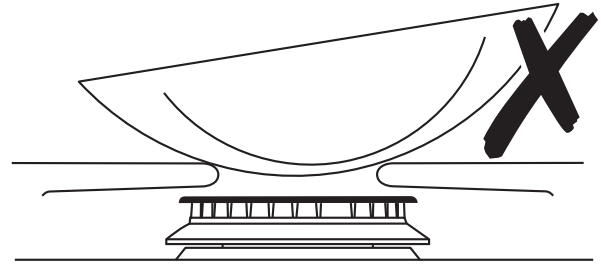
Pans and kettles with concave bases or down turned base rims should not be used.

4



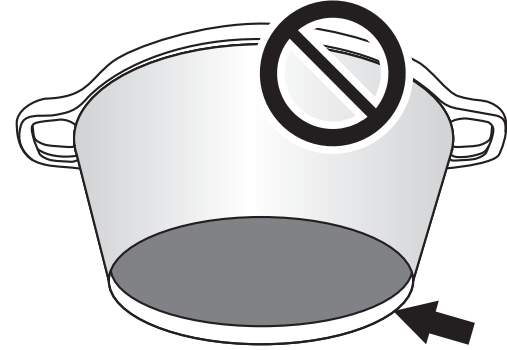
Simmering aids, such as asbestos or mesh mats, are NOT recommended. They will reduce burner performance and could damage the pan supports.

5



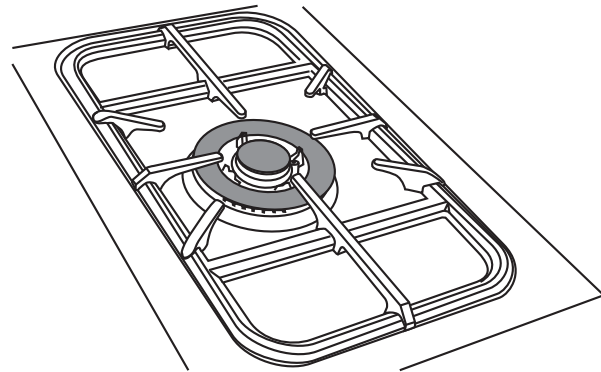
Avoid using unstable and misshapen pans that may tilt easily and pans with a very small base diameter e.g. milk pans, single egg poachers. The minimum pan diameter recommended is 120mm.

6



Pans and kettles with down turned base rims should not be used.

7



The Wok burner is designed to provide even heat over a large area. It is ideal for large pans and stir frying. For heating smaller pans the smaller burners may be more efficient.

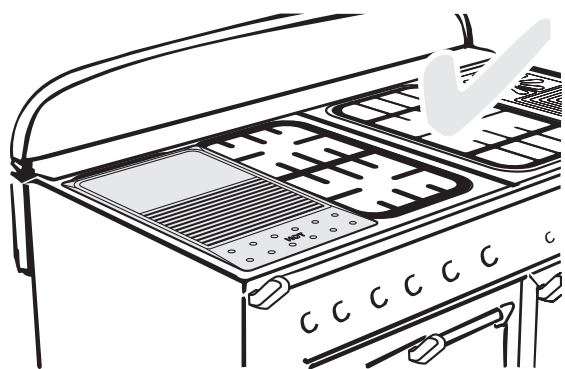
If a burner flame goes out, turn the control knob off and leave it for one minute before relighting it.

**You can remove the burner parts for cleaning, see the 'Cleaning your cooker' section of these instructions.**

You should wipe the enamel top surface of the cooker around the hotplate burners as soon as possible after spills occur. Try to wipe them off while the enamel is still warm.

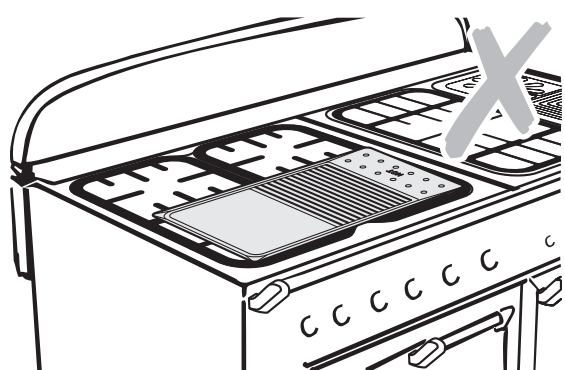
## The Griddle

1



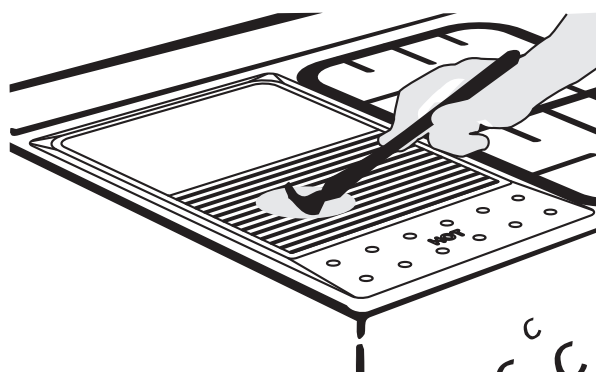
The griddle fits a single pan support, front to back. It is designed for cooking food on directly. Don't use pans of any kind on it. The griddle surface is non-stick and metal cooking utensils (e.g. spatulas) will damage the surface. Use heat resistant plastic or wooden utensils.

2



Don't put it crossways - it will not fit properly and will be unstable.

Don't put it on the Wok burner - it is not designed to fit the Wok burner pan support.



3

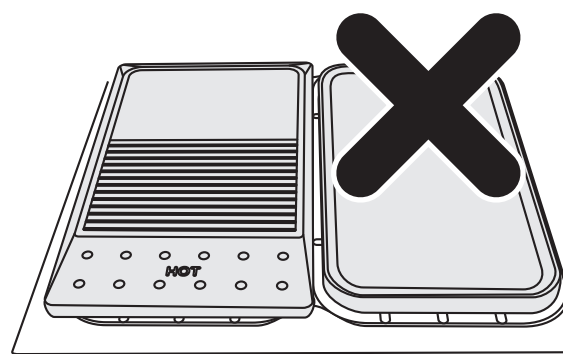
Position the griddle over the hotplate burners resting on the pan support. The griddle can be lightly brushed with cooking oil before use. Light the hotplate burners. Adjust the flame heights to suit.



4

Preheat the griddle for a maximum of 5 minutes before adding food. Leaving it longer may cause damage. You can reduce the heat by turning the control knobs towards the lower position (marked with the small flame symbol).

5



Always leave space around the griddle for the gases to escape. **Never** fit two griddles side by side. Large pans should also be spaced well apart. The maximum pan base diameter is 250mm.



Use the following heat settings as a guide for griddle cooking.

High/medium:

Drop scones, Bacon, Chops, Steak, Burgers.

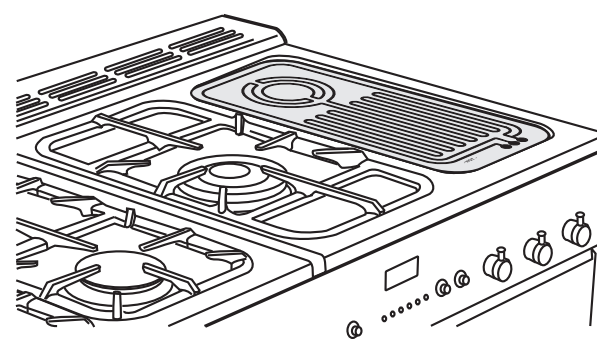
Medium/low:

Potato cakes, Eggs, Fish cakes.

Experience will soon familiarise you with the correct setting to use for cooking.

After cooking allow the griddle to cool before cleaning.

## Warmer



Use the warmer for keeping food warm while the final touches are put to a meal. Turn the control knob anti-clockwise to the on position. The 'HOT' indicator lights up. For best results, pre-heat a covered serving dish for 10 minutes before adding food to it.

**CAUTION:-** If a crack in the Warmer surface becomes visible, due to accidental damage etc., isolate the appliance from the electricity supply immediately by turning it off at the wall and arrange for its repair.

**DO NOT RECONNECT THE COOKER TO THE ELECTRICITY SUPPLY UNTIL AFTER REPAIR!**

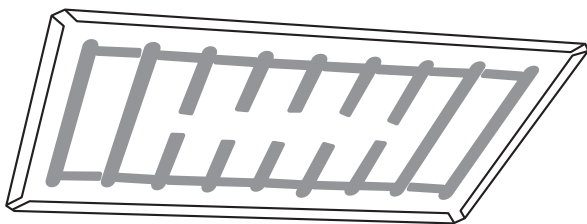
## Australia

# The Grill

---

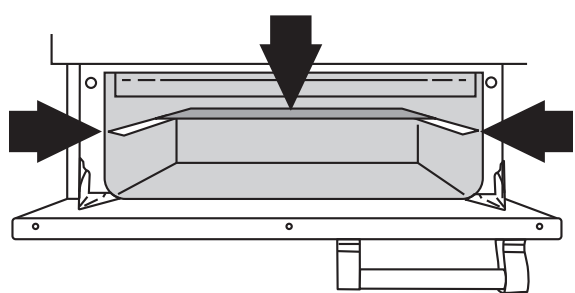
**Caution: Accessible parts may be hot when the grill is in use. Young children should be kept away.**

**1**



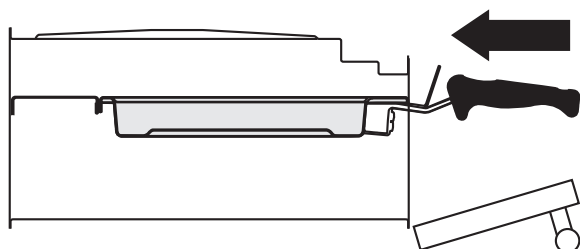
The burner does not glow red - food cooks from the heat of the flame. The first time you light the grill there may be a little smoke given off - this is perfectly normal.

**2**



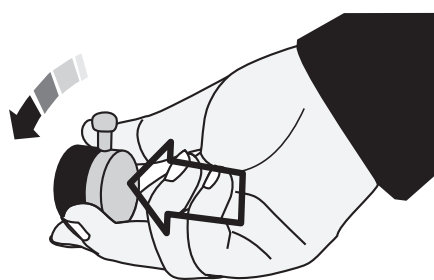
After placing your food on the grill tray pan, slide the grill pan onto the side supports the backstop.

**4**



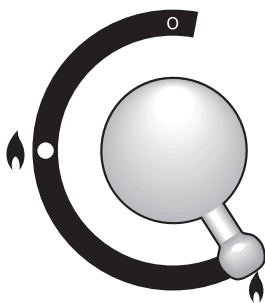
Make sure the grill pan is pushed right in and touches the back stop. Never close the grill door while the grill is on.

**5**



Press the igniter button and press in and turn the grill knob to the large flame symbol (🔥). When the flame lights release the igniter button.

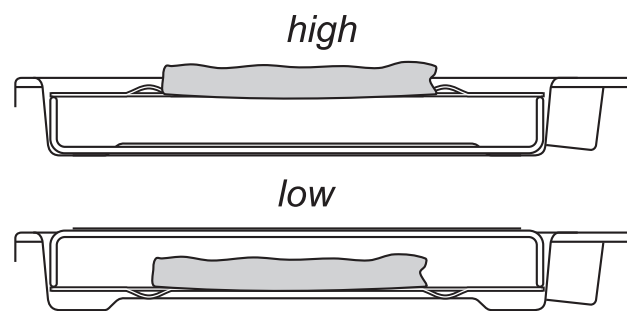
**6**



The low position, marked with the small flame symbol, is beyond high, not between high and off.

---

**7**



The grill pan grid can be turned over to give two grilling positions.

---

*Never close the grill door while the grill is on.*

Don't leave the grill on for more than a few moments, without the grill pan underneath it.



For best results, especially with toast, preheat the grill with the grill pan in the cooking position for two minutes before use.

*The grill trivet can be removed and the food placed on it while you are waiting for the grill to preheat.*

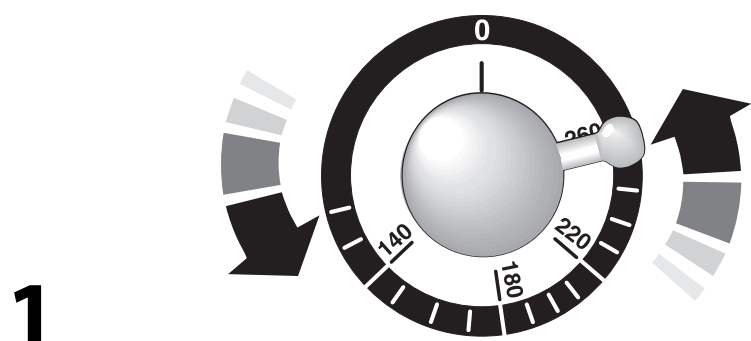
You can brown the top of dishes cooked in the oven, under the grill by placing the dish onto the base of the grill pan which can easily slide along the floor of the grill cavity.



## The Ovens

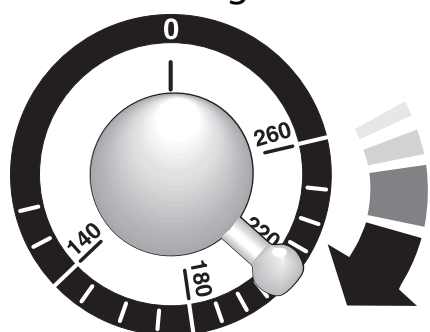
**During use the appliance becomes hot. Care should be taken to avoid the touching hot areas inside the oven.**

The clock must be set to the time of day before the ovens will work. See 'The Clock' section of these instructions for how to set the clock.



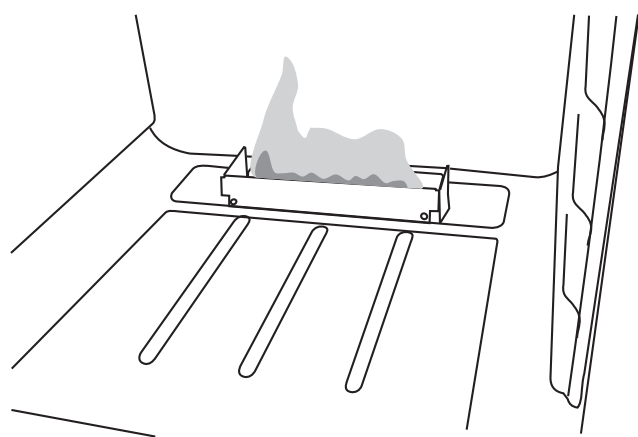
**1**

Push in and turn the knob controlling the oven to the full on position. The oven will light automatically.



**2**

Turn the control knob back to the Mark you wish to cook on and for best results pre-heat for 15 minutes before placing your dishes in the oven.



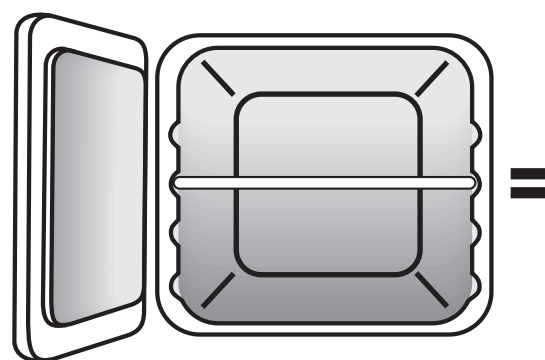
**3**

The ovens use our special 'Heatflow' system.

Because the oven burner is not hidden under the oven base you will see the burner flames at the back of the oven - this is perfectly normal.

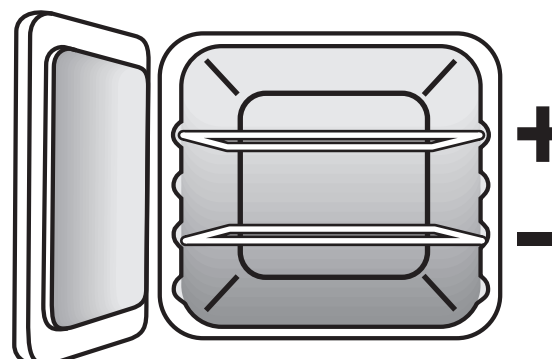
The oven is protected by a safety cut off, which reduces the supply of gas to the oven if the flames go out, e.g. an interruption to the mains supply.

Initially the gas will burn with a small flame but after approximately one minute the flame will become larger indicating that the oven is full on.



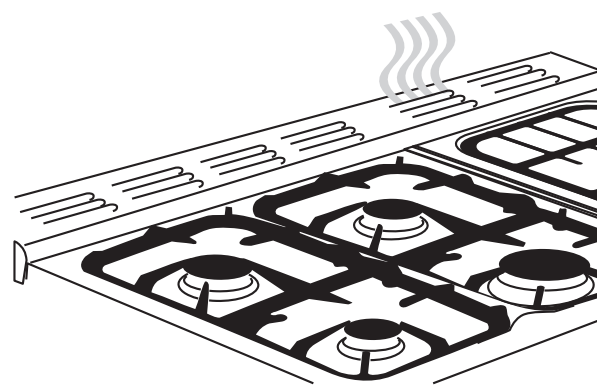
**4**

Dishes cooking on the central shelf will cook at the temperature indicated on the knob.



**5**

Dishes placed above the central position will be cooked at approximately 10° higher, dishes cooked below approximately 10° lower. You can therefore cook dishes requiring different temperatures at the same time.



**6**

During cooking, food naturally produces steam, particularly when cooking foods with high water content (e.g. oven chips). There may be some steam visible at the grille at the rear of the hotplate and the bottom of the left hand door. This is perfectly normal. Steam can condense to water droplets on the cool outer trim or the oven door. It may be necessary during cooking to wipe away any moisture with a soft cloth. This will also help to prevent soiling and discolouration of the oven exterior by cooking vapours.

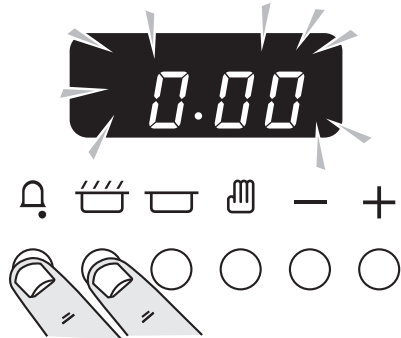
Take care when opening the oven door as there may be a momentary puff of steam when the oven door is opened. Stand well back and allow any steam to disperse

# Australia

## The Clock

You can use the timer to turn the ovens on and off. The clock must be set to the time of day before the ovens will work.

### To set the time of day



Press and hold as above. At the same time, press (-) or (+) until the correct time shows. Don't forget it's a 24 hour clock. If you make a mistake or press the wrong button, turn off the power supply for a minute or two and start again.

### To time something that's cooking (minute minder)

Press and hold the Minute Minder (🔔).	
---------------------------------------	--

At the same time press (-) or (+) until the time you want to cook for is shown.	
---	--

You can check time remaining by pressing 🔔 and cancel the beeper by pressing 🔔.

### To stop automatically

Use when you have started the oven manually.

Press and hold the Stop Time (🛑) button.	
--	--

At the same time press (-) or (+) until your required 'Stop Time' shows. AUTO will show in the display. When your cooking is finished the beeper sounds. TURN THE OVEN KNOB TO 0 FIRST, then press 🔔

once to stop the beep, press 🔔 again to return to manual cooking.

### To start and stop the oven automatically

Before you set the clock, you must have two numbers clearly in mind.

The 'cook period', which is the period of time you want the oven to cook.

The 'stop time', which is the time of day you want the oven to stop cooking.

You cannot set a start time directly - this is set automatically by setting the cooking period and stop time.

Press and hold the Cook Time (🍲) button. At the same time press (-) or (+) until your required 'cook period' shows.	
---	--

Press and hold the Stop Time (🛑) button. At the same time press (-) or (+) until your required 'stop time' shows. AUTO will show in the display.	
--	--

Set the oven to the required temperature. When your cooking is finished the beeper sounds. TURN THE OVEN KNOB TO 0 FIRST, then press 🔔 once to stop the beep, press 🔔 again to return to manual cooking.

If you are out, don't worry about the beeper going off, it stops after a while. When you return, TURN THE OVEN KNOB TO 0 FIRST, then press 🔔 twice, to return to manual cooking.

### AUTO is showing, you want to reset to manual cooking.

When cancelling an automatic setting, any cooking time already set must be returned to 0.00 before you can return to manual, by pressing the 🔔 button.



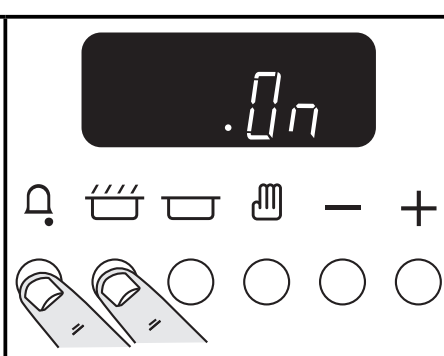
## Clock Special Features

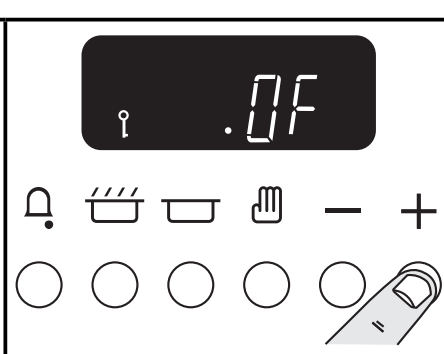
### Key Lock

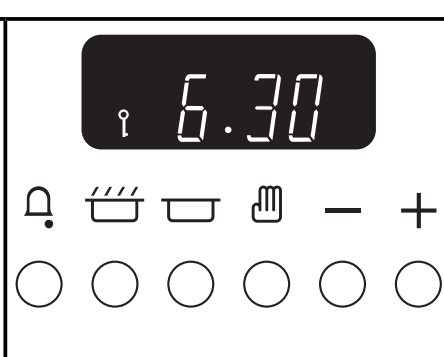
When the key lock is activated, the clock can be operated as usual but the oven is locked and will not come on. This means that your child could select a cook program but the program will not be activated and oven will not be switched on.

### To activate the key lock

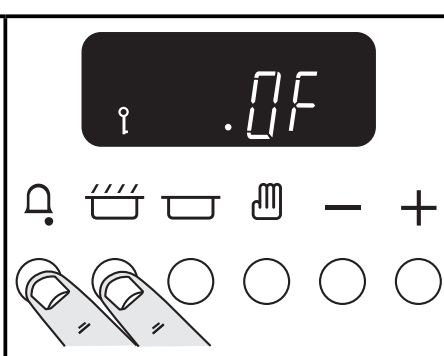
Make sure that the clock is in manual mode and cancel any active programs.

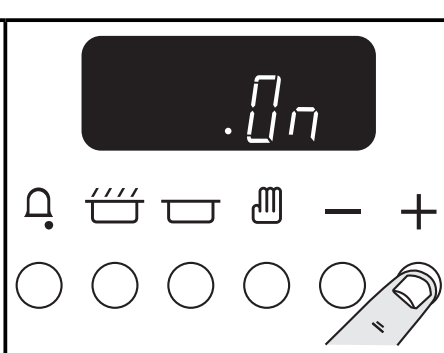
<p>Hold the Minute Minder (🔔) and Cooktime (🍳) buttons for about 8 seconds. 'On' will appear on the display.</p>	
--	---

<p>Press the '+' button once. 'Of' will appear on the display.</p>	
--	--

<p>The clock oven control functions are now locked. After a few seconds the display will revert to show the time of day and the key symbol (🔒).</p>	
---	--

### To turn off the key lock

<p>Hold the Minute Minder (🔔) and Cooktime (🍳) buttons for about 8 seconds. 'Of' will appear on the display.</p>	
--	--

<p>Press the '+' button once. 'On' will appear on the display.</p>	
--	--

After a few seconds the display will revert to show the time of day.

## Cooking using the timer

The timer can be used to turn just one oven or both on and off automatically. The start and stop time must be the same for both ovens but different cooking temperatures can be set.

*If you want to turn one of the ovens on at the same time as the timer is set for automatic cooking, you must wait until the timer has turned on the oven/ ovens first. Then you can adjust either of them manually in the normal way.*

You can set the oven to turn on any time over the following 24 hour period

*If you want to cook more than one dish, choose dishes that require approximately the same time. However, dishes can be 'slowed down' slightly by using small containers and covering them with aluminium foil, or 'speeded up' slightly by cooking smaller quantities or placing in larger containers.*

Very perishable foods such as pork or fish should be avoided if a long delay period is planned, especially in hot weather.

*Don't place warm food in the oven.*

*Don't use an oven already warm.*

*Don't use if an adjoining oven is warm.*

Avoid using wine or beer if there is a delay period, as fermentation may take place.

*To avoid curdling, cream should be added to dishes just before serving.*

Fresh vegetables, which may discolour during a delay period, should be coated in melted fat or immersed in a water and lemon juice solution.

*Many frozen foods are ideal for delayed cooking and can be placed in the oven while still frozen.*

Fruit pies, custard tarts or similar wet mixtures on top of uncooked pastry are only satisfactory if there is a short delay period. Dishes containing leftover cooked meat or poultry should not be cooked automatically if there is a delay period.

*Whole poultry must be thoroughly defrosted before placing in the oven.*

*Check that meat and poultry are fully cooked before serving.*

## Australia

# Oven cooking

The wire shelves should always be pushed firmly to the back of the oven.

*Baking trays with food cooking on them should be placed level with the front edge of the oven's wire shelves. Other containers should be placed centrally. Keep all trays and containers away from the back of the oven, as overbrowning of the food may occur.*

For even browning, the maximum recommended size for a baking tray is 340mm by 340mm.

*Cooking high moisture content foods can create a 'steam burst', when the oven door is opened. When opening the oven stand well back and allow any steam to disperse.*

When the oven is on, don't leave the door open for longer than necessary, otherwise the knobs may get very hot.

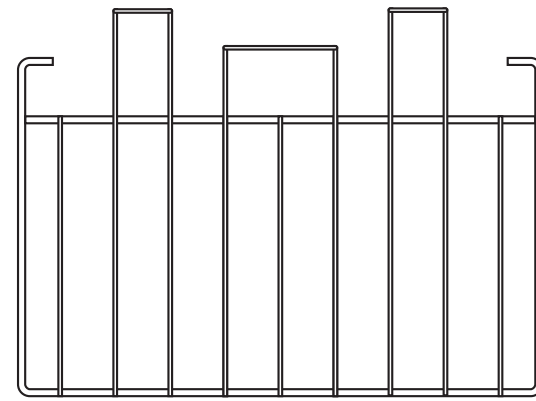
- Always leave a 'fingers width' between dishes on the same shelf. This allows the heat to circulate freely around them.
- The Cook & Clean oven liners (see Cleaning your cooker) work better when fat splashes are avoided. Cover meat when cooking.



- To reduce fat splashing when you add vegetables to hot fat around a roast, dry them thoroughly or brush lightly with cooking oil.
- Sufficient heat rises out of the oven while cooking to warm plates in the grill compartment.
- If you want to brown the base of a pastry dish, preheat a baking tray for 15 minutes before placing the dish in the centre of the tray.
- Where dishes may boil and spill over during cooking, place them on a baking tray.

# Oven shelves

Top view



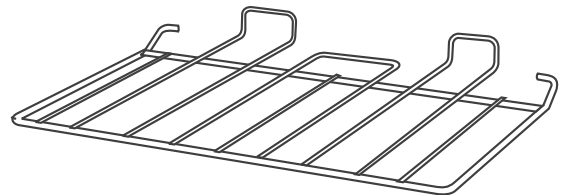
Side view



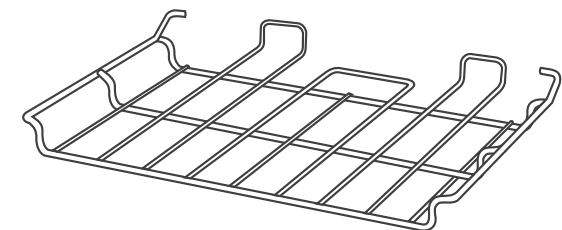
the shelf guard should be at the back pointing upwards

As well as the flat shelves some models are supplied with a drop shelf. The drop shelf increases the possibilities for oven shelf spacing.

Flat shelf

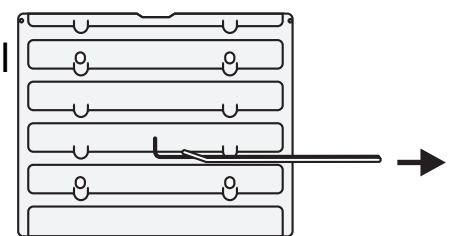


Drop shelf

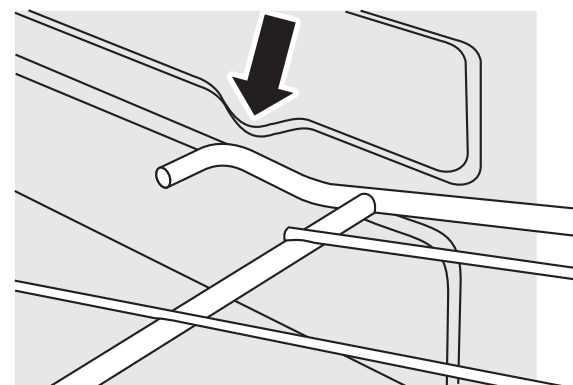
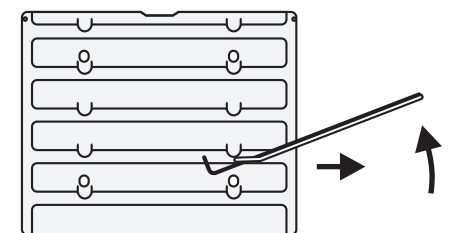


The oven shelves can be easily removed and refitted.

Pull the shelf forward until the back of the shelf is stopped by the shelf stop bumps in the oven sides.



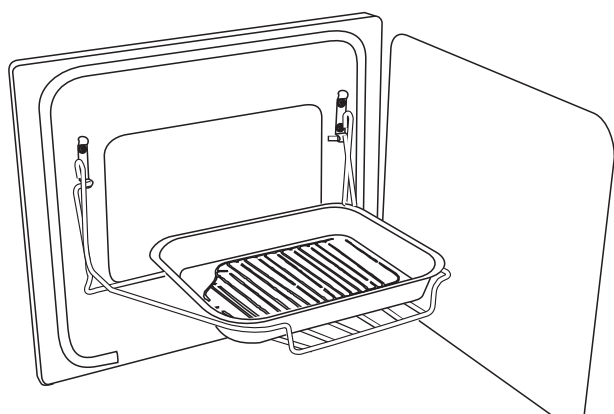
Lift up the front of the shelf so the back of the shelf will pass under the shelf stop and then pull the shelf forward.



To refit the shelf, line up the shelf with a groove in the oven side and push the shelf back until the ends hit the shelf stop. Lift up the front so the shelf ends clear the shelf stops, and then lower the front so that the shelf is level and push it fully back.

## The Handyrack

The maximum weight that can be held by the Handyrack is 5.5kg (12lb). It should only be used with the supplied meat tin, which is designed to fit the Handyrack. Any other vessel could be unstable.

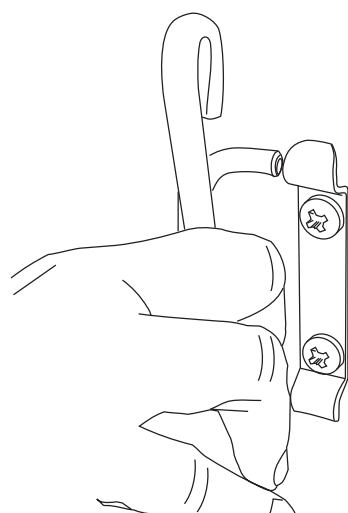
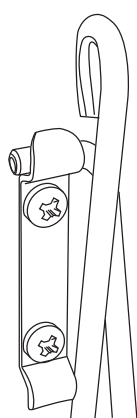


The Handyrack fits to the left hand oven door only. Food cooking on it is easy to attend to, because it's accessible when the door is open. It can be fitted at two different heights. One of the oven shelves must be removed and the other positioned to suit.

When the Handyrack is used in its highest position, other dishes can be cooked on the bottom shelf position of the oven or standing on the base of the oven.

When the Handyrack is used in its lowest position, other dishes can be cooked on the second shelf position of the oven or standing on the base of the oven.

To fit the Handyrack, locate one side of it on the door bracket.



Then spring the other side out to clip it onto the other bracket.

## Oven light

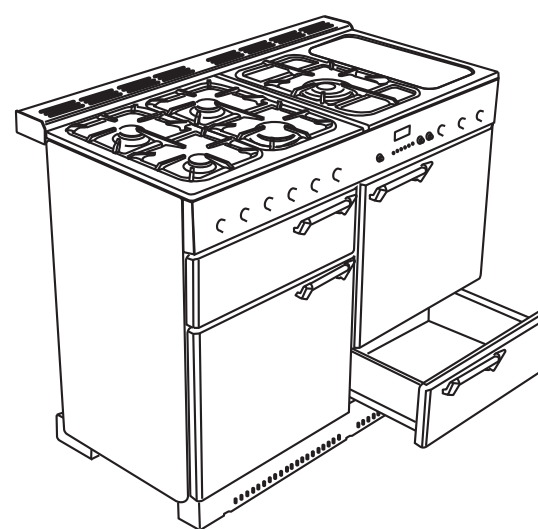
◀ oven light ▶



Press the appropriate button to turn on one of the oven lights.

If one of the oven lights fail, turn off the power supply before you change the bulb. See the 'Troubleshooting' section for details on how to change an oven light bulb.

## Storage



The bottom drawer is for storing oven trays and other cooking utensils. It can get very warm, don't store anything in it that may melt or catch fire. The drawer can be removed completely by pulling it right out and up.

## Australia

*The oven control settings and cooking times given in the table opposite are intended to be used only as a guide. Individual tastes may require the temperature to be altered to provide a preferred result.*

*Always leave at least one runner space between shelves when 2 tier cooking. Place baking trays, individual cake tins or baking dishes centrally on the oven shelf. For best results pre-heat the oven until the oven indicator light goes out.*

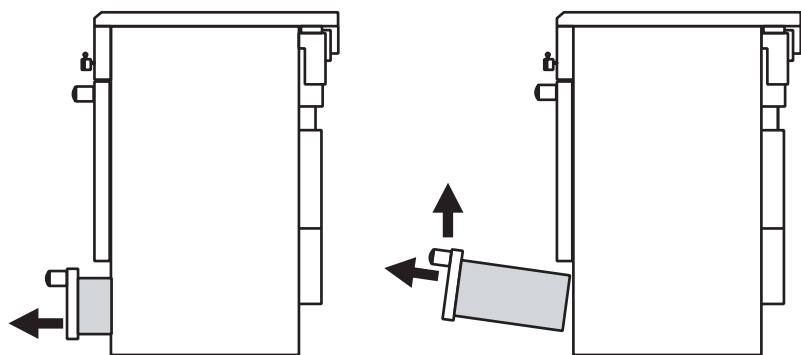
## Moving your cooker

Switch off the electricity and gas supply.

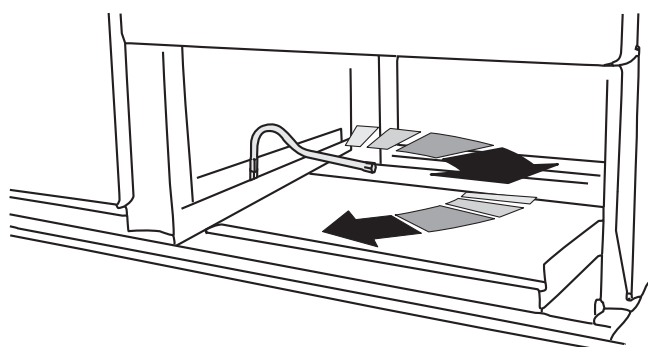
*The cooker is heavy; two people may be required to move it. The cooker is fitted with one roller at the front and two at the back. There are also two screw down levelling feet at the front.*

The front roller, designed for moving the cooker can be wound down. The levelling tool which controls this roller is in the storage drawer compartment.

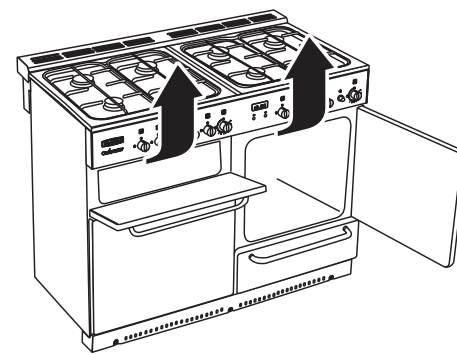
*Remove the storage drawer (by pulling it right out and lifting it up slightly) and you should see the levelling tool.*



Your installer may not have left the levelling tool in place. If not, locate it as shown. If you cannot find the levelling tool, contact your installer. See the front of the Installation section of these instructions.



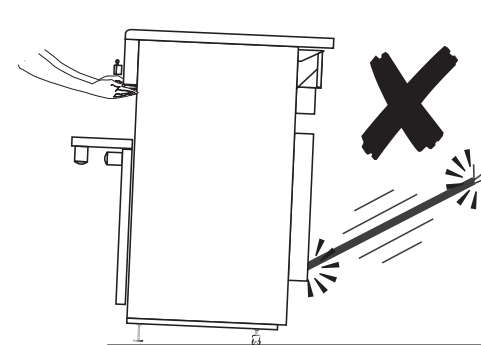
*Turn the levelling tool clockwise, two full (180°) turns. It will be stiff. The front of the oven will rise slightly as the roller drops down.*



Open the grill door and right hand oven door so that you can get a good grip on the bottom of the fascia panel as you move the oven.

*Do not move the oven by pulling the hand rail, door handles or knobs.*

Move the oven a bit at a time, checking behind it to make sure the gas hose is not caught. Make sure both electricity and gas cables have sufficient slack to move the cooker forward as you go along.)



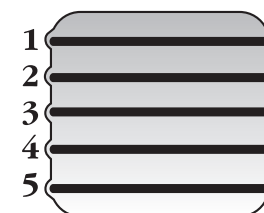
*If a stability chain is fitted, release it as you ease the cooker out.*

When you replace the cooker, wind it down off the rollers by turning the levelling tool anti-clockwise. This is important. It will stop the cooker moving accidentally, while in use.

Replace the stability chain.



# Oven cooking guide



OVEN SHELF POSITIONS

	<b>GAS</b>	<b>SHELF POSITION</b>	<b>OVEN</b>	<b>FROM TOP</b>	<b>APPROXIMATE</b>	<b>COOKING TIME</b>
	<b>TEMP °C</b>					
<b>MEAT</b>						
Beef (no bone)	180	3-4	30-35mins. per 500g.+30-35 mins.			
	220	3-4	20-25mins. per 500g.+20-25 mins.			
Lamb	180	3-4	30-35mins. per 500g.+30-35 mins.			
	220	3-4	25-30mins. per 500g.+25-30 mins.			
Pork and Veal	180	2-3	35-40mins. per 500g.+35-40 mins.			
	220	3-4	25-30mins. per 500g.+25-30 mins.			
<b>POULTRY</b>						
Chicken (2.3kg)	180	3-4	20-25mins. per 500g.+20-25 mins.			
	220	3-4	15-20mins. per 500g.+15-20 mins.			
Turkey (4.5kg)	180	3-4	25-30mins. per 500g.+25-30 mins.			
	220	3-4	20mins. per 500g.+20 mins.			
Turkey (over 4.5kg)	180	4	20mins. per 500g.+20 mins.			
	220	4	15mins. per 500g.+15 mins.			
Duck/ duckling	180	4	25-30mins. per 500g.			
	220	4	20mins. per 500g.			
<b>CASSEROLES</b>	150-160	3-4	2-4 hours according to recipe.			
<b>YORKSHIRE PUDDING</b>	235	2	Large tin 30-35 mins. Individual, 10-20 mins.			
<b>FISH</b>	205	2	Fillets 15-20 mins. Whole 15-20mins. per 500g.			
	205	2	Steaks according to thickness.			
<b>CAKES</b>						
Very rich fruit - Christmas / wedding etc.	150	4	45-50mins. per 500g. of mixture.			
Fruit 180mm tin	165	4	2 to 2½ hours.			
Fruit 230mm tin	165	4	Up to 3½ hours.			
Madeira 180mm	180	4	80-90 mins.			
Queen cakes	180	2 & 4 or 3	15-25 mins.			
Scones	200	2 & 4 or 3	10-15 mins.			
Victoria sandwich						
180mm tin	190	2 & 4 or 3	20-30mins.			
230mm tin	190	2 & 4 or 3	30-40 mins.			
<b>DESSERTS</b>						
Shortcrust tarts	200	2 & 4	40-60 mins. on pre-heated tray.			
Fruit pies	200	2-3	35-45 mins.			
Tartlets	200	2-3	10-20 mins. according to size.			
Flaky/rough puff	210	2-3-4	20-40 mins. according to size.			
Puff pastry	250	2-3-4	20-40 mins. according to size.			
Meringues	110'	3	1½ to 2 hrs.			
Baked egg custard	180	3	45-60 mins.			
Baked sponge pudding	190	3	40-45 mins.			
Milk pudding	150-160	3	2-3 hrs.			

Thoroughly thaw frozen joints before cooking. Meat may be roasted at 235°C and the cooking time adjusted accordingly. For stuffed and rolled meats, add approx. 10 min. per 500g. or cook at 220°C or 20min, then 180°C for the remainder.

For stuffed poultry, you could cook at 220°C or 20min, then 180°C for remainder. Don't forget to include the weight of the stuffing. For fresh or frozen prepacked poultry, follow instructions on the pack. Thoroughly thaw frozen poultry before cooking.

When two tier cooking leave at least one runner space between shelves. Position the baking tray with the front edge along the front of the oven shelf.

Rich fruit cakes made with self-raising flour should be cooked on 190°C for the first half hour at least and then finished at the setting shown.

If cooking more than one tart at the same time, swap them over at approx. 25 mins. For even browning the maximum size of baking tray recommended is 340mm x 340mm. This ensures free heat circulation. If cooking a two tier load, when the top tray is removed, the tray in the lower position should be raised to the higher shelf, or the trays interchanged, for the remaining cooking time.

## Australia

# Cleaning your cooker

### Essential information

Before thorough cleaning isolate the electricity supply. Remember to switch on the electricity supply before use.

*Never use paint solvents, washing soda, caustic cleaners, biological powders, bleach, chlorine based bleach cleaners, coarse abrasives or salt. Don't mix different cleaning products - they may react together with hazardous results. Do not use a steam cleaner on your cooker.*

*Recommended cleaning materials are shown in the table at the end of this section.*

If you want to move your cooker for cleaning, see the section called 'Moving your cooker'.

All parts of the cooker can be cleaned with hot soapy water - but take care that no surplus water seeps into the appliance.

For cleaning materials see the 'Cleaning Table' at the end of this section.

### Grill

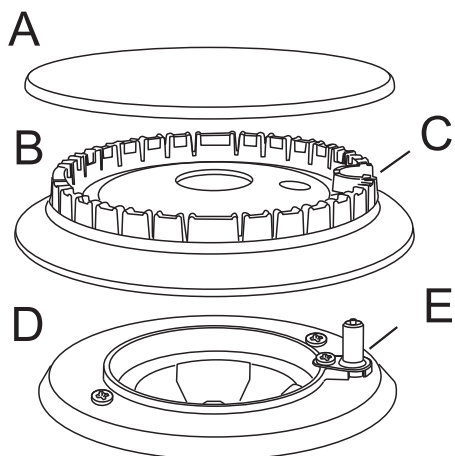
The grill pan and grid should be washed in hot soapy water. After grilling meats or any foods that soil, leave to soak for a few minutes in the sink immediately after use. Stubborn particles may be removed from the grid by using a nylon brush.

### Hotplate burners

Some models have a separate trim ring, which fits on the burner head.

The burner heads and caps can be removed for cleaning. Make sure they are absolutely dry before replacing.

### The LH hotplate

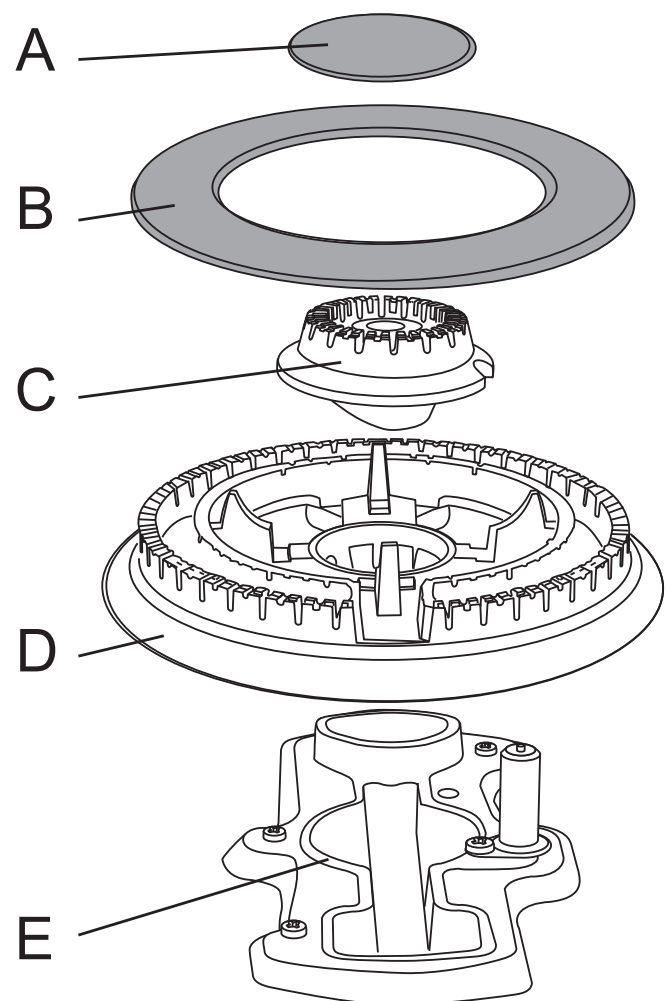


A cap, B head, C notch, D base, E electrode

When refitting the burner head, make sure that the notch lines up with the electrode or hole in the base. Check that the burner head is level and that the cap is fitted centrally on the burner head.

### The Wok burner

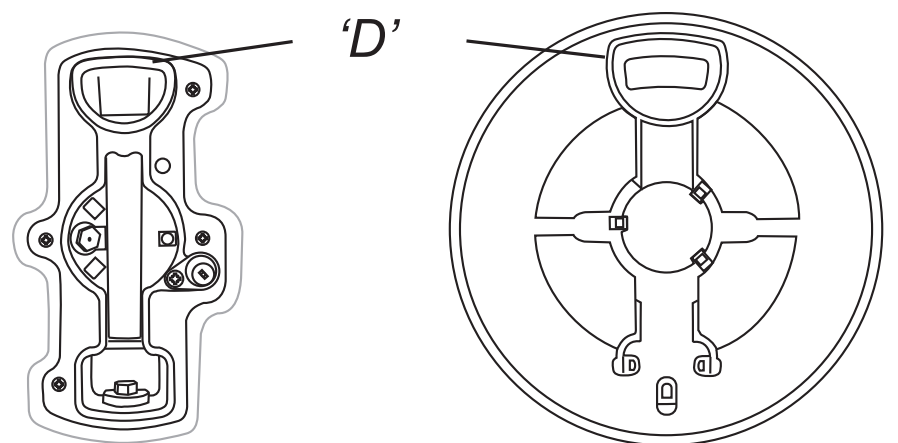
The Wok burner is a little more complicated but it also can be taken apart for cleaning.



Wok burner

- |   |                   |   |                   |
|---|-------------------|---|-------------------|
| A | inner burner cap, | B | outer burner cap  |
| C | inner burner head | D | outer burner head |
| E | Wok burner base   |   |                   |

When reassembling the Wok burner, turn over the large base ring and find the 'D' shaped area.

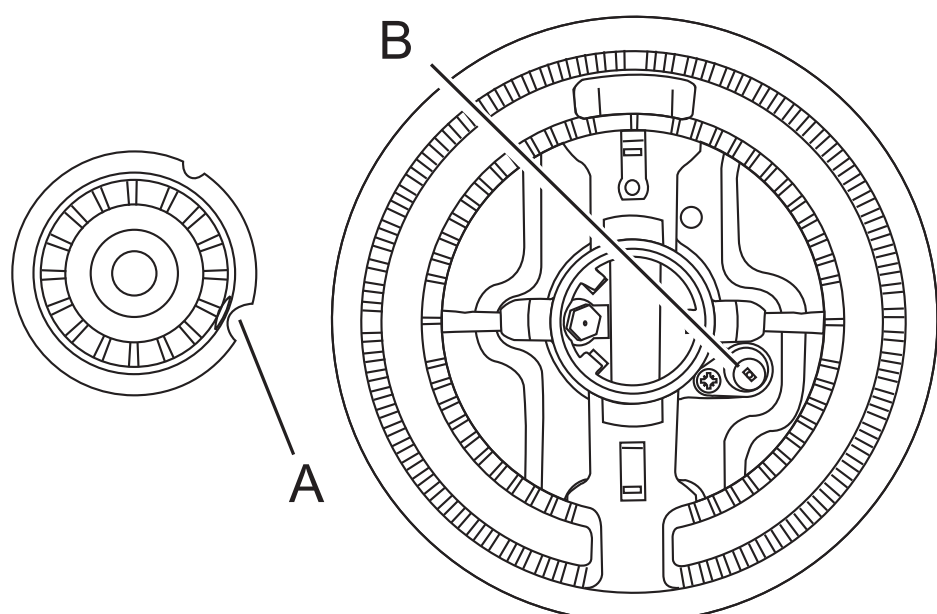


burner base underside of burner head

Turn the head until the 'D' matches the one on the burner base. Turn the head over and place it on the burner base.



To fit the small inner burner, find the larger electrode notch in the burner rim. Line this up with the white ignition electrode and place the inner burner on the large base ring.



A electrode notch      B ignition electrode

Now fit the two trim rings, making sure that they are sitting down properly.

### Griddle

Always clean the griddle after use. Allow to cool completely before removing. Immerse the griddle plate in hot soapy water. Use a soft cloth or, for stubborn stains, a nylon washing up brush.

**NEVER USE CAUSTIC OR ABRASIVE CLEANERS AS THESE WILL DAMAGE THE SURFACE.**

### Control Panel and Doors

Avoid using any abrasive cleaners including cream cleaners, e.g. Jif, on brushed Stainless Steel surfaces. For best results use a liquid detergent.

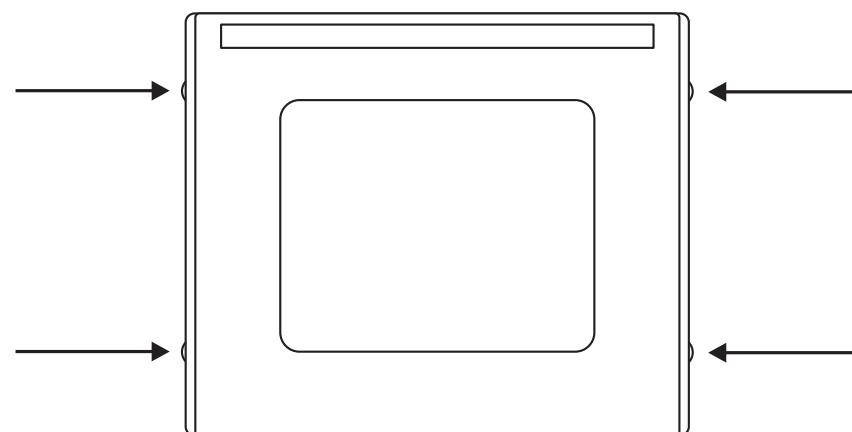
The control panel and control knobs should only be cleaned with a soft cloth wrung out in clean hot soapy water - **but take care that no surplus water seeps into the appliance.** Wipe with a clean dampened cloth then polish with a dry cloth. The oven doors should only be cleaned with a soft cloth wrung out in clean hot soapy water.

### Stainless Steel Cookers with window doors

If the inside face of the glass on window door model becomes marked, the oven door front panel can be taken off so that the glass panels can be cleaned.

Move the cooker forward to gain access to the sides (see the 'Moving the cooker' section of these instructions).

Open the oven door slightly and remove the front panel fixing screws from the door sides (two each side).



*stainless steel window doors only*

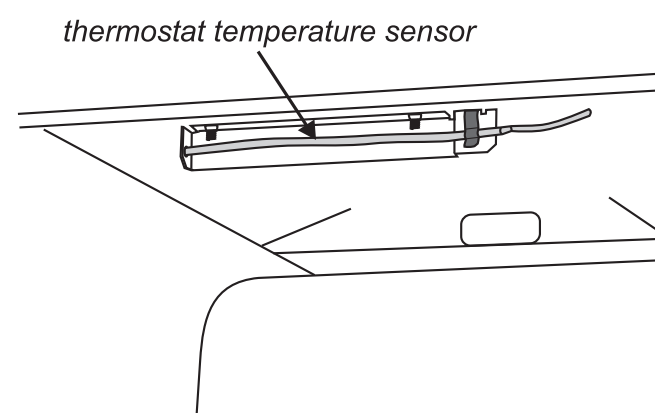
Carefully lift off the outer door panel. The inside face of the glass panels can now be cleaned - take care not to disturb or wet the door insulation. Please note that the door is triple glazed but the inner two panels are fixed and should not be separated. After cleaning carefully refit the outer door panel and replace the side fixing screws.

### The Ovens

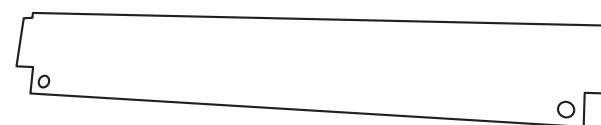
Cleaning is easier if carried out while the oven is still warm. Before cleaning, cover the burner to prevent the burner holes becoming blocked.

The inside of the oven and inner door panel can be cleaned using any cleaner suitable for enamel surfaces.

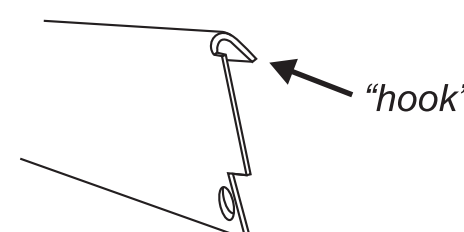
Take care not to disturb the oven thermostat temperature sensor at the top of the oven opening.



The enamelled oven burner trim (supplied with some models only) can be removed for cleaning.



The oven burner trim hooks onto the front of the oven burner bracket.



When refitting make sure that the trim is in the middle of the front of the oven burner bracket.

## Cleaning Table

### Hotplate

Part	Finish	Recommended Cleaning Method
Hotplate Top	Enamel or Stainless Steel	Hot soapy water, soft cloth. Any stubborn stains remove gently with a nylon scourer.
Pan Supports, Wok Cradle (some models only)	Enamel coated Cast Iron or Stainless Steel	Cif Cream Cleaner- <i>Faberge Lever</i> and a nylon scourer. Dishwasher.
Warming Zone (some models only)	Toughened Glass	Hot soapy water, cream cleaner/scourer if necessary.
Burner Caps	Enamel	Cream cleaner, nylon scourer. Dishwasher
Burner Trim Rings (some models only) and Burner Head	Aluminium	Cif or other cream cleaner with a soft cloth. Be careful not to be over vigorous.
Griddle Plate (some models only)	Non-Stick Surface	Allow to cool. Wash in hot soapy water. Do not use abrasive cleaners/scourers. Dishwasher.

### Outside of cooker

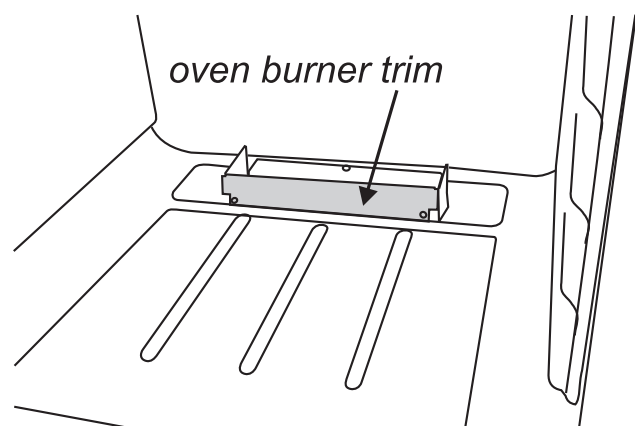
Part	Finish	Recommended Cleaning Method
Door, Door surround and Storage Drawer exterior.	Enamel or paint	Hot soapy water, soft cloth. Any stubborn stains, remove gently with a liquid detergent.
	Stainless Steel	E Cloth (Comet) or Vileda Microfibre Plus All Purpose Cloth Freudenberg Household Products LP (supermarket)
Sides and Plinth	Painted surface	Hot soapy water, soft cloth
Splashback/Rear Grille	Enamel or Stainless Steel	Hot soapy water, soft cloth. Cream cleaner, with care, if necessary.
Control panel	Paint, Enamel or Stainless Steel	Warm soapy water. Do not use abrasive cleaners on lettering.
Control Knobs/Handles	Plastic/ Chrome	Warm soapy water, soft cloth.
Oven Door Glass/Glass Lid	Toughened glass	Hot soapy water, cream cleaner/scourer if necessary.

### Oven and Grill

Part	Finish	Recommended Cleaning Method
Sides, floor & roof of oven - NOT COOK & CLEAN OVEN PANELS (see below)	Enamel	Any proprietary oven cleaner that is suitable for enamel. CAUTION: CORROSIVE/CAUSTIC OVEN CLEANERS - FOLLOW MANUFACTURERS INSTRUCTIONS. Do not allow contact with the oven elements.
Cook & Clean Oven Panels (some models only)	Special enamel that partly cleans itself	This surface cleans itself at 200°C and above, or the panels can be removed and washed with hot soapy water and a nylon brush. (see 'The Ovens' in 'Cleaning your cooker')
Oven Shelves, Handyrack, Grill Trivet.	Chrome	An oven interior cleaner that is suitable for chrome. Soap filled pad. Dishwasher.
Grill Pan/Meat Tin (some models only)	Enamel	Hot soapy water. Soap filled pad (Brillo). Dishwasher.

Regular cleaning is recommended. For easier cleaning, wipe up any spillages immediately.

To help keep your oven clean, cover meat when roasting, with foil or use a roasting bag. Brush vegetables with fat before placing around the meat.



### The Oven side linings

The oven has removable oven side lining panels that have been coated with special enamel that partly cleans itself. This does not stop all marks on the lining, but helps to reduce the amount of manual cleaning needed.

*The self cleaning panels work better above 220°C. If you do most of your cooking below this temperature, occasionally remove the panels and wipe with a lint free cloth and hot soapy water. The panels should then be dried and replaced and the oven heated at 235°C for about one hour. This will ensure the self cleaning panels are working effectively.*

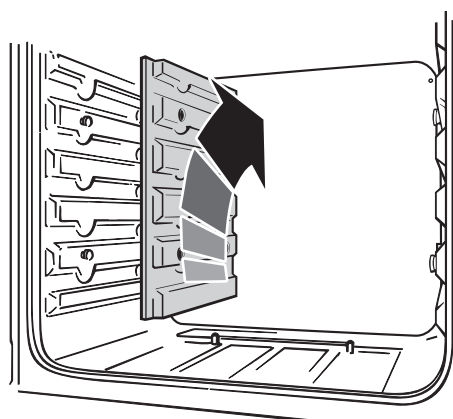
Don't use steel wool (Brillo) or any other materials that will scratch the surface. Don't use oven cleaning pads.

Before cleaning the oven, cover the burner at the rear to stop the holes getting blocked as you clean. If they are accidentally blocked, clean them out with thin wire, such as fuse wire.

### Removing the Oven Linings

The side panels of either oven can be removed for cleaning and for cleaning behind. Remove the shelves first.

Each side of the oven is fixed with four fixing screws. You don't have to remove the screws to remove the oven linings. Lift each side panel upwards and they will slide off the screws. Then pull them forwards.



Once the linings are removed, the oven enamel interior can be cleaned. .

## Troubleshooting

### Hotplate ignition or hotplate burners faulty

Is the power on? Is the clock illuminated? If not there maybe something wrong with the power supply.

See 'power supply' section further on.

Are the sparker (ignition electrode) or burner slots blocked by debris? Is the burner trim correctly located? Are the burner caps correctly located?

See the section entitled 'Cleaning'

### Hotplate burners will not light

If only one or all the hotplate burners will not light, make sure that the parts have been replaced correctly after wiping or removing for cleaning.

Check that there is not a problem with your gas supply. You can do this by making sure that other gas appliances you may have are working.

Do the burners spark when you push the button? If not check the power is on - is the clock illuminated?

### A crack has appeared in the Warmer plate's surface

Disconnect the cooker immediately from the power supply and arrange for its repair. Don't use the cooker until after the repair. See the HELP leaflet for how to contact a service person.

### Steam is coming from the oven

When cooking foods with a high water content (e.g. oven chips) there may be some steam visible at the rear grille. Take care when opening the oven door as there may be a momentary puff of steam when the oven door is opened. Stand well back and allow any steam to disperse.

### The oven fan is noisy

The note of the oven fan may change as the oven heats up - this is perfectly normal.

### What cleaning materials are recommended for the cooker?

See the 'Cleaning' section of the Easy Guide for a full list of recommended cleaning materials. We do not recommend Mr. Muscle, as it contains chemicals that may damage the surfaces of your cooker.

### The knobs get hot when I use the oven or the grill, can I avoid this?

Yes, this is caused by heat rising from the oven or the grill, and heating them up. Don't leave the oven door open. Make sure that the grill pan is pushed right back to the 'back stop' when grilling.

## Australia

### If there is an installation problem and I don't get my original installer to come back to fix it who pays?

You do. Service organisations will charge for their call outs if they are correcting work carried out by your original installer. It's in your interest to track down your original installer.

### Current Operated Earth Leakage Breakers

Where the cooker installation is protected by a 30 milliamp sensitivity residual current device (RCD), the combined use of your cooker and other domestic appliances may occasionally cause nuisance tripping. In these instances the cooker circuit may need to be protected by fitting 100mA device. This work should be carried out by a qualified electrician.

### Food is cooking too slowly, too quickly, or burning

Cooking times may differ from your previous oven. Check that you are using the recommended temperatures and shelf positions. See the 'Oven cooking guide' section. The oven control settings and cooking times are intended to be used only as a guide. Individual tastes may require the temperature to be altered either way, to get the results you want. Try cooking at a higher temperature setting.

### The oven is not cooking evenly

Do not use a tin or baking tray larger than 340mm x 340mm.


If you are cooking a large item, be prepared to turn it round during cooking.

If two shelves are used, check that space has been left for the heat to circulate. When a baking tray is put into the oven, make sure it is placed centrally on the shelf.

Check that the door seal is not damaged and that the door catch is adjusted so that the door is held firmly against the seal.

A dish of water when placed on the shelf should be the same depth all over. (For example, if it is deeper at the back, then the back of the cooker should be raised up or the front lowered). If the cooker is not level arrange for your supplier to level it for you.

### Oven not coming on when turned on manually

Is the power on? Is the clock illuminated? If not there may be something wrong with the power supply. Is the cooker supply on at the isolator switch? Is the clock flashing 0.00? If so set it to the correct time of day. Has the Timer been set to AUTO by mistake? If AUTO is showing on the clock display, press the 'cook period' button and reduce any set cooking time showing to 0.00, with the (+) and (-) buttons. Press the  button twice. If this does not solve the problem contact a service person.

Is the key symbol (🔒) showing in the display? See the Clock section of the instructions for more information on the key lock feature of the clock.

### Oven not coming on when automatic cooking

Timer set correctly but oven knob left OFF by mistake?

Is the key symbol (🔒) showing in the display? See the Clock section of the instructions for more information on the key lock feature of the clock.

### Oven temperature getting hotter as the cooker gets older

If turning the knob down has not worked or only worked for a short time then you may need a new thermostat. This should be fitted by a service person.

### Grill not cooking properly

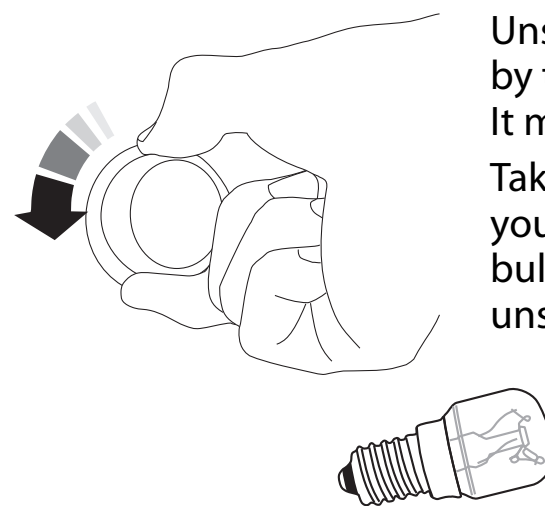
Are you using the pan and trivet supplied with the cooker? Is the pan being used on the runners, not the floor of the compartment? Is the grill tray pushed fully back to stop?

### The oven light is not working

The bulb has probably blown. You can buy a replacement bulb (which is not covered under the guarantee) from a good electrical shop. Ask for an Edison screw fitting 15w 240v lamp, FOR OVENS. It must be a special bulb, heat resistant to 300 °C.

**Disconnect from the electricity supply.**

Make sure the oven is cool. Open the oven door and remove the oven shelves.



Unscrew the bulb cover by turning anticlockwise. It may be very stiff.

Taking care to protect your fingers in case the bulb should shatter, unscrew the old bulb.

Fit an Edison screw fitting 15w 240v lamp, FOR OVENS. It must be a special bulb, heat resistant to 300°C.

Screw in the new bulb, screw back the bulb cover. Turn on the electricity supply and check that the bulb now lights.



## General Safety Instructions

---

This appliance must be installed by a Authorised Person in accordance with the installation instructions. The installation must comply with the relevant regulations and also the local gas and electricity supply companies requirements.

### If you smell gas

**Don't** turn electric switches on or off.

**Don't** smoke

**Don't** use naked flames

**Do** turn off the gas at the meter or cylinder

**Do** open doors and windows to get rid of the gas

**Call** your gas supplier.

### Guidelines in case of Abnormal Operation

The burners flames should be a blueish colour with, at most, a slight yellowish fringe.

If the flame burns with a long white tip you should call an Authorised Gas Service Centre.

DO NOT SPRAY AEROSOLS IN THE VICINITY OF THIS APPLIANCE WHILE IT IS IN OPERATION.

WHERE THIS APPLIANCE IS INSTALLED IN MARINE CRAFT OR IN CARAVANS, IT SHALL NOT BE USED AS A SPACE HEATER.

*This appliance is designed for domestic cooking only. Use for any other purpose could invalidate any warranty or liability claim.*

The use of a gas cooking appliance results in the production of heat and moisture in the room in which it is installed. Ensure that the kitchen is well ventilated: keep natural ventilation holes open or install a mechanical ventilation device, (mechanical extractor hood).

Prolonged intensive use of the appliance may call for additional ventilation, for example opening a window, or more effective ventilation, for example increasing the level of mechanical ventilation where present.

The cooker should be serviced by a Authorised Person and only approved spare parts used. Have the installer show you the location of the cooker control switch. Mark it for easy reference. Always

allow the cooker to cool and then switch off at the mains and before cleaning or carrying out any maintenance work, unless specified otherwise in this guide.

*All parts of the cooker become hot with use and will retain heat even after you have stopped cooking.*

Take care when touching cooker, to minimize the possibility of burns, always be certain that the controls are in the OFF position and that it is cool before attempting to clean the cooker. Avoid touching heating elements.

*Use dry oven gloves when applicable - using damp gloves might result in steam burns when you touch a hot surface. Never operate the cooker with wet hands.*

Do not use a towel or other bulky cloth in place of a glove. They might catch fire if they touch a hot surface.

*Clean with caution. If a wet sponge or cloth is used to wipe spills on a hot surface, be careful to avoid steam burns. Some cleansers can produce noxious fumes if applied to a hot surface.*

Do not use unstable saucepans and position the handles away from the edge of the hotplate.

*The appliance is not intended for use by young children or infirm persons without supervision. Babies, toddlers and young children should not be allowed near the cooker at any time. They should never be allowed to sit or stand on any part of the appliance. Teach them not to play with controls or any other part of the cooker.*

Never store anything of interest to children in cabinets above a cooker - children climbing on the cooker to reach them could be seriously injured.

*Clean only parts listed in this guide.*

In the interests of hygiene and safety the cooker should be kept clean at all times as a build up in fats and other food stuff could result in a fire.

Always keep combustible wall coverings or curtains etc. a safe distance away from your cooker. For more detail see the Installation section of these instructions.

*Do not store or use flammable liquids or materials in the vicinity of this appliance.*

## Australia

*This includes some cleaning solvents and chemicals used in dry cleaning.*

Do not use water on grease fires. Never pick up a flaming pan. Turn the controls off. Smother a flaming pan on a surface unit by covering the pan completely with a well fitting lid or baking tray. If available use a multipurpose dry chemical or foam-type fire extinguisher.

*Never leave the hotplate unattended at high heat settings. Pans boiling over can cause smoking and greasy spills may catch on fire.*

Never wear loose-fitting or hanging clothes while using the appliance. Be careful when reaching for items stored in cabinets over the hotplate. Flammable material could be ignited if brought in contact with a hot surface unit and may cause severe burns.

*Take great care when heating fats and oils, as they will ignite if they get too hot.*

Use a deep fat thermometer whenever possible to prevent overheating fat beyond the smoking point.

*Never leave a chip pan unattended. Always heat fat slowly, and watch as it heats. Deep fry pans should be only one third full of fat. Filling the pan too full of fat can cause spill over when food is added. If you use a combination of oils or fats in frying, stir them together before heating, or as the fats melt.*

Foods for frying should be as dry as possible. Frost on frozen foods or moisture on fresh foods can cause hot fat to bubble up and over the sides of the pan. Carefully watch for spills or overheating of foods when frying at high or medium high temperatures. Never try to move a pan of hot fat, especially a deep fat fryer. Wait until the fat is cool.

*When the grill is on, do not use the top of the flue (the slot along the back of the cooker) for warming plates, dishes, drying tea towels or softening butter.*

When using an electrical appliance near the hotplate, be sure that the cord of the appliance does not come into contact with the hotplate.

*If you find a crack in the Warmer surface immediately disconnect the appliance from the supply and arrange for its repair.*

Take care that no water seeps into the appliance

*Only certain types of glass, glass-ceramic, earthenware or other glazed containers are suitable for hotplate cooking; others may break because of the sudden change in temperature.*

*Do not allow anyone to climb, stand or hang on any part of the cooker.*

Do not use aluminium foil to cover shelves, linings or the oven roof.

*Make sure that your kitchen is well ventilated at all times. Use extractor fans or hoods when fitted.*

Never heat unopened food containers. Pressure build up may make container burst and cause injury.

*The cooker is designed for cooking foods only and must not be used for any other purpose.*

The oven should NOT be used for heating the kitchen, not only does this waste fuel but the control knobs may become overheated.

*When the oven is on DO NOT leave the oven door open for longer than necessary.*

The specification of this cooker should not be altered.

*This appliance is heavy, take care when moving it.*

When the cooker is not in use ensure that the control knobs are in the off position.



## Service and spares

Firstly, please complete the appliance details below and keep them safe for future reference - this information will enable us to accurately identify your particular appliance and help us to help you. Filling this in now will save you time and inconvenience if you later have a problem with your appliance. It may also be of benefit to keep your purchase receipt with this leaflet. You may be required to produce the receipt to validate a warranty field visit.

<b>Retailers Name &amp; Address</b> Andi Appliances Pty Ltd. 1 Stamford Road, Oakleigh, VIC 3166. Tel No : (03) 9569 1255 Fax No : (03) 9569 1450 Email : Service@andico.com.au	
<b>Name of Appliance:</b>	
<b>Appliance Serial Number *</b>	
<b>Fuel Type:</b>	Gas
<b>Date of Purchase</b>	
<b>Installers Name &amp; Address</b>	
<b>Date of Installation</b>	

\* This information is on the appliance data badge

### If you have a problem

In the unlikely event that you have a problem with your appliance, please refer to rest of this booklet, especially the problem solving section, first to check that you are using the appliance correctly.

If you are still having difficulty, contact you retailer

### Please note

If your appliance is outside the 12-month warranty period, our service provider may charge for this visit.

If you request an engineer to visit and the fault is not the responsibility of the manufacture, our service provider reserves the right to make a charge.

Appointments not kept by you may be subject to a charge.

### Out of Warranty

We recommend that our appliances are serviced regularly throughout their life to maintain the best performance and efficiency. The frequency of service will depend on usage - for normal usage once a year should suffice.

Service work should only be carried out by an Authorised Person.

### Spare Parts

To maintain optimum and safe performance, we recommend that only genuine spare parts are used. Do not use re-conditioned or unauthorised controls. Contact your retailer.

## Dear Installer

Before you start your installation, please complete the details BELOW.

If your customer has a problem relating to your installation they will be able to contact you easily.

### Thank you

<i>Installer's Name</i>
<i>Installer's Company</i>
<i>Installer's Telephone number</i>

## You must be aware of the following safety requirements & regulations

### **Safety Requirements/Regulations**

The cooker must be installed in accordance with these instructions by an authorised person.

The installation must be in accordance with AS 5601/AG 601 - Gas Installations, local gas fitting regulations, municipal building codes, electrical wiring regulations and any other relevant statutory regulations.

Install in a well-ventilated space. Read the instructions before installing or using this appliance.

In your own interest and that of safety, it is law that all gas appliances be installed by an authorised person. Failure to install the appliance correctly could invalidate any warranty or liability claims and lead to prosecution.

Before installation, ensure that cooker is suitable for your gas type and supply voltage. See the data badge. This appliance can be converted for use on Propane.

This appliance is designed for domestic cooking only. Use for any other purpose could invalidate any warranty or liability claim.

### **Ventilation Requirements**

Ventilation must be as specified by **'AS 5601/AG 601 - Gas Installations'**.

The room containing the appliance should have an adequate air supply .

An appliance should be installed in a location for complete combustion of gas, proper flueing and to maintain ambient temperature of the immediate surrounding at safe limits, under normal operation condition.

**Failure to install appliances correctly is dangerous and could lead to prosecution.**

### **Location of Cooker**

**This appliance should not be installed in a boat or caravan.**

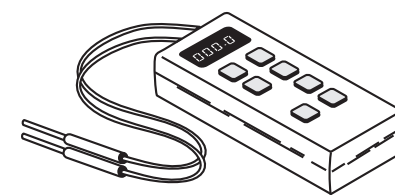
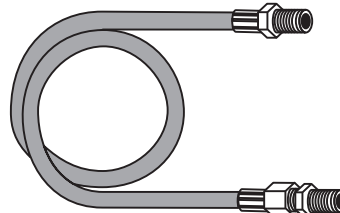
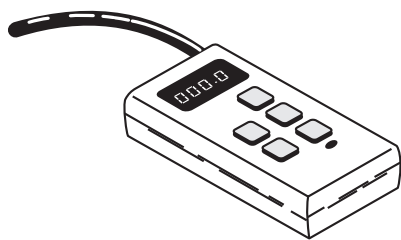
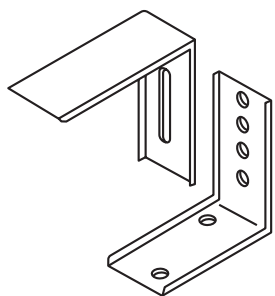
The cooker may be installed in a kitchen/kitchen diner but NOT in a room containing a bath or shower.

### **Conversion**

If the appliance is to be converted to another gas we recommend that this is done before installation. See the Conversion section of this instruction for more details.

## Australia

You will need the following equipment to complete the cooker installation satisfactorily



### STABILITY BRACKET

If the cooker is to be supplied with gas through a flexible hose, a stability bracket and restraining chain must be fitted (both are supplied with the cooker).

### GAS PRESSURE TESTER

### FLEXIBLE GAS HOSE

A suitable hose and restraining chain are supplied with the cooker. If a different hose is used it must be in accordance with the relevant standards.

### MULTIMETER

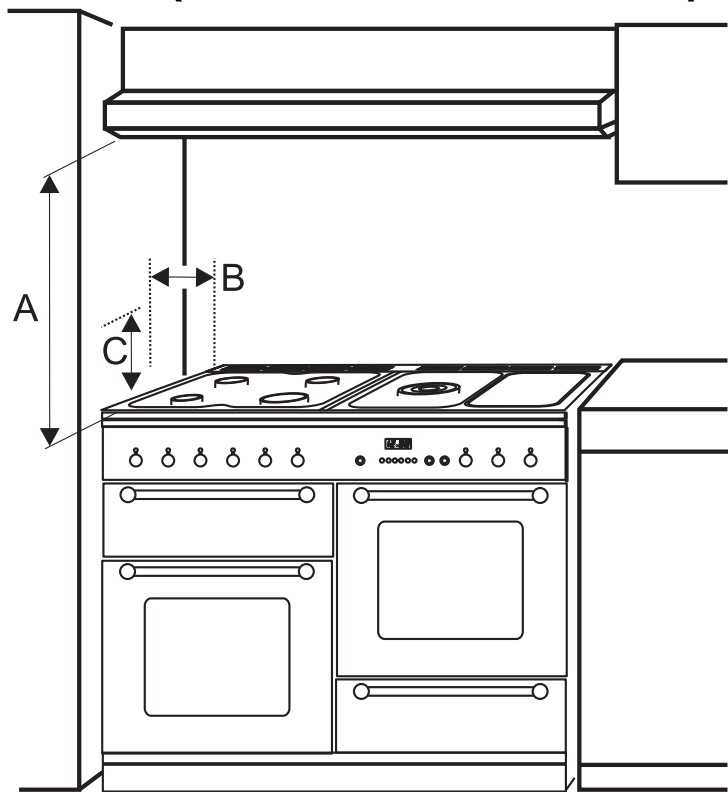
For electrical checks.

You will also need the following tools:

1. **Electric drill**
2. **Masonry drill bit**  
(only required if fitting the cooker on a stone or concrete floor)
3. **Rawlplugs**  
(only required if fitting the cooker on a stone or concrete floor)
4. **Steel tape measure**
5. **Cross head screwdriver**
6. **Flat head screwdriver**
7. **Spirit level**
8. **Pencil**
9. **Adjustable spanner**
10. **Screws for fitting stability bracket**

# Positioning the Cooker

## Clearances (see AS 5601/AG 601)



### 1 Overhead - Measurement A

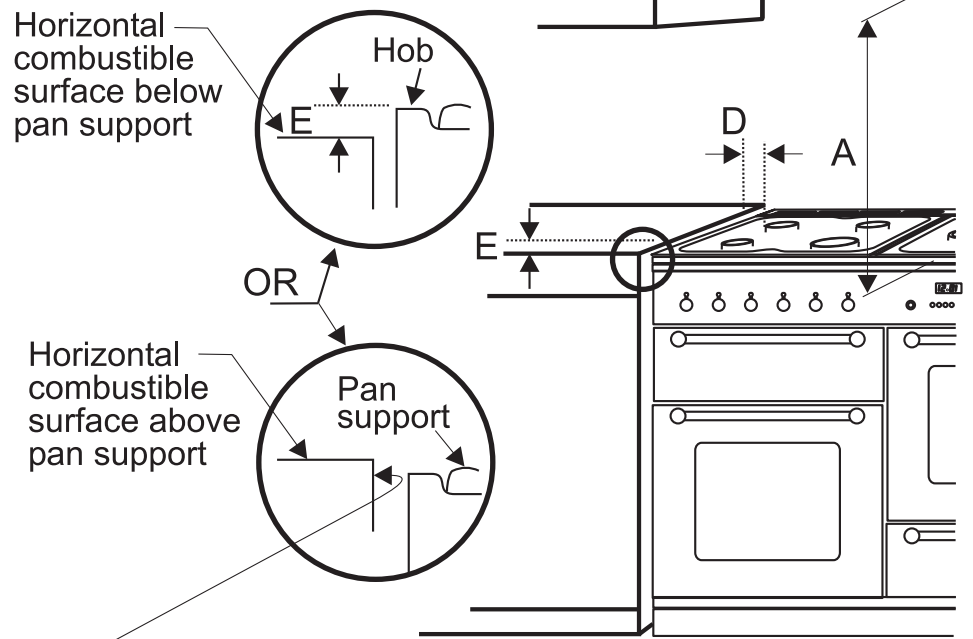
The minimum height of any surface above the cooker is 650mm above the hotplate

Range hoods and exhaust fans shall be installed in accordance with the manufacturer's instructions. However, in no case shall the clearance between the highest part of the hob of the cooking appliance and a range hood be less than 650 mm or, for an overhead exhaust fan, 750 mm.

### 2 Side clearances - Measurements B & C

Where B, measured from the periphery of the nearest burner to any vertical combustible surface, or vertical combustible surface covered with toughened glass or sheet metal, is less than 200 mm, the surface shall be protected to ensure that the combustible surface does not exceed 65°C above ambient\*. Even with the surface protected the dimension B should not be less than 135mm above hotplate level.

\*The fixing of 5mm thick ceramic tiles to the surface or attaching fire resistant material to the surface and covering with sheet metal with a minimum thickness of 0.4mm to a height C of not less than 150 mm above the hotplate should satisfy this requirement.



NOTE: In this case, any vertical combustible surface needs to be protected. See \* below

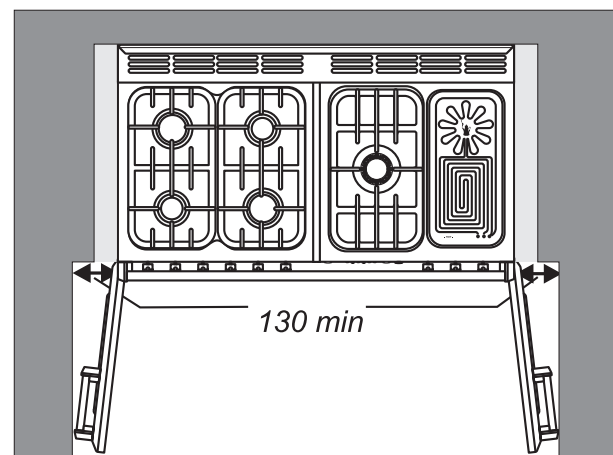
### 3 Side clearances - Measurement E

3 Where D, the distance from the periphery of the nearest burner to a horizontal combustible surface is less than 200 mm, then E shall be 10 mm or more, or the horizontal surface shall be above the trivet. See insets above.

For safety reasons curtains must not be fitted immediately behind the cooker.

We recommend a gap of 1110mm between units to allow for moving the cooker. Do not box the cooker in; it must still be possible to move the cooker in and out for cleaning and servicing. The cooker should not be placed on a base.

A clearance of 130mm is required if the cooker is near a corner of the kitchen to allow the oven doors to open.



## Unpacking the Cooker

Do not take any packaging off the cooker until it is directly in front of the place it is to be installed (unless it will not fit through a door in its outer packaging).

Cut the banding straps and lift off the top packing, leaving the cooker standing on the base packaging. See the loose unpacking sheet.

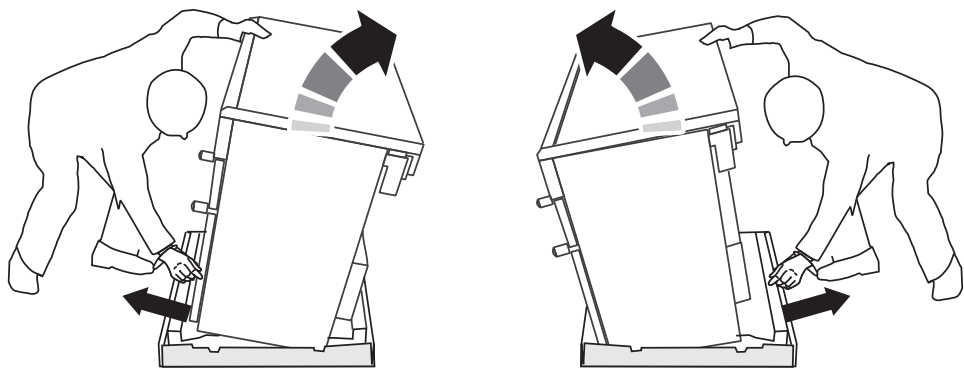
# Australia

## Moving the Cooker

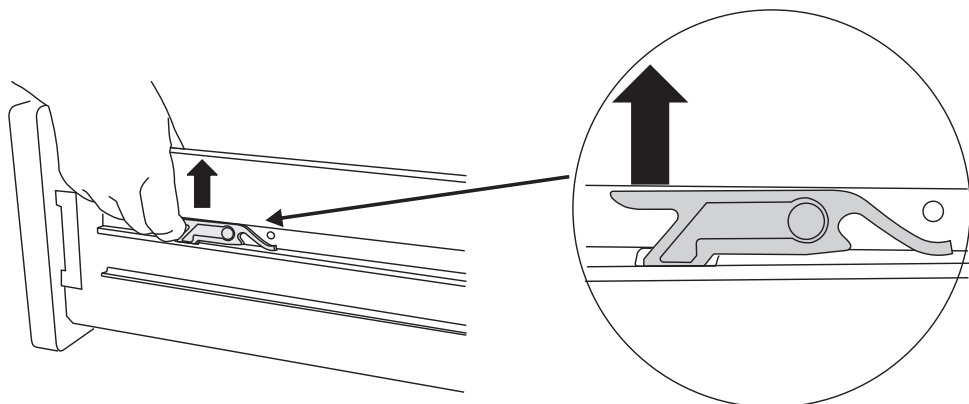
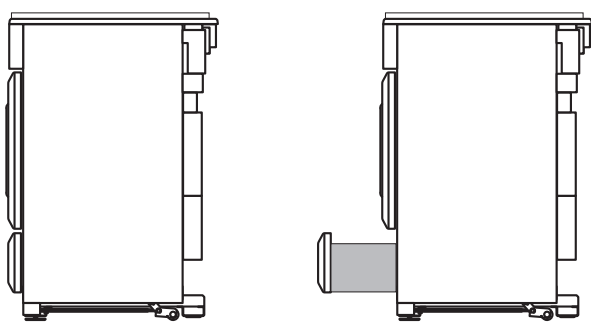
The cooker is very heavy. Take great care.

We recommend two people manoeuvre the cooker. Ensure that the floor covering is firmly fixed, or removed to prevent it being disturbed when moving the cooker around. You will need the levelling tool.

From the back tilt the cooker forward and remove the rear half of the polystyrene base pack.

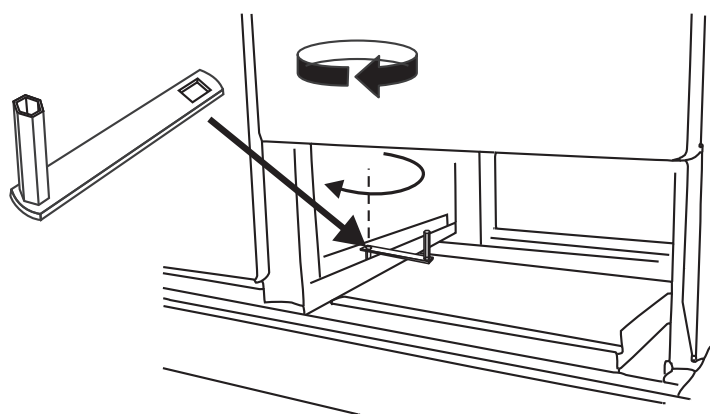


Repeat from the front and remove the front half of the poly base. Pull the drawer out to its furthest point.



Lift up the ends of the plastic clips (one each side) to release the catches holding the drawer to the side runners and at the same time pull the drawer forward and away from the side runners. For safety's sake push the drawer runners back out of the way.

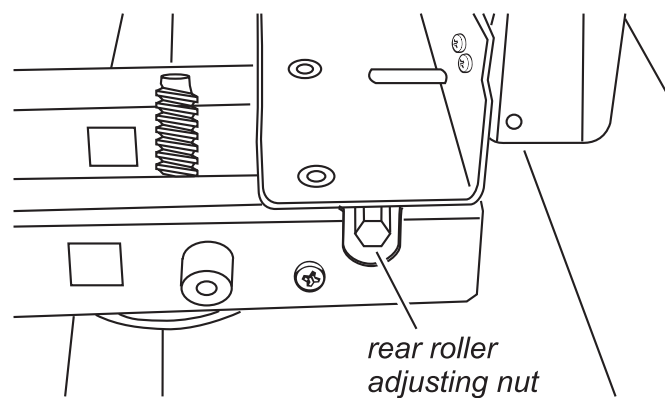
Fit the levelling tool on the rectangular adjuster as shown below.



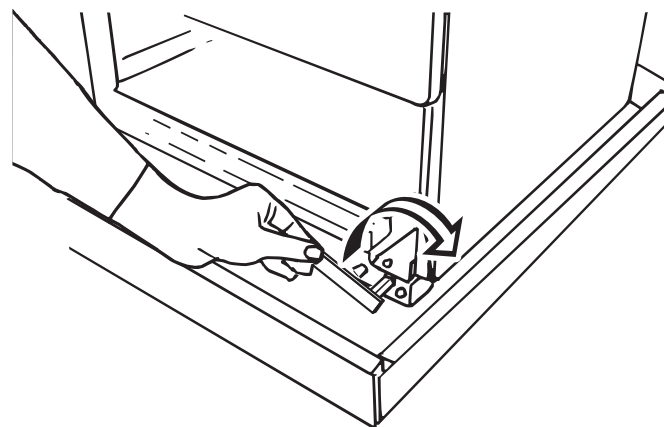
**LOWER THE FRONT ROLLER** by doing 14 complete (360°) turns clockwise. (This means turning and removing the levelling tool 56 times).

Now **LOWER THE TWO REAR ROLLERS**.

First fit the levelling tool on the hexagonal adjusting nut as shown below.

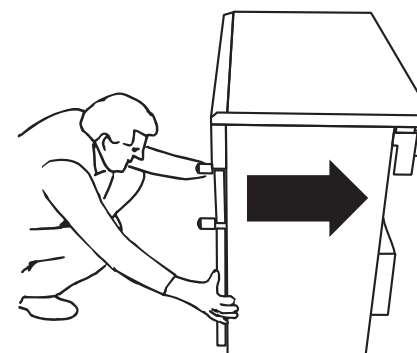


Make 10 complete (360°) turns clockwise. (This means turning and removing the levelling tool 20 times).



Make sure you lower **BOTH REAR ROLLERS**. There are two adjusting nuts, one for each roller, at both the front bottom corners of the cooker.

Unfold the rear edge of pack base tray. Carefully push the cooker backwards out of the base pack. Push the cooker close to its final position, leaving just enough space to get behind it.



## Levelling

You are recommended to use a spirit level on a shelf in one of the ovens to check for level.

Place the cooker in its intended position taking care not to twist it within the gap between the kitchen units as damage may occur to the cooker or the units.

The rollers can be adjusted to level the cooker. To adjust the height of the rear of the cooker use the levelling tool supplied to turn the adjusting nuts at the front bottom corners of the cooker.

Adjust the height of the front roller to level the cooker. Turn clockwise to raise the cooker and anticlockwise to lower.

When you are satisfied with the height and level raise the front of the cooker by one turn of the front roller adjuster. Screw down the front feet to meet the floor. Screw the front roller adjuster anticlockwise to raise the front roller so that the front of the cooker is supported on the feet, not the front roller, to prevent accidental movement of the cooker.

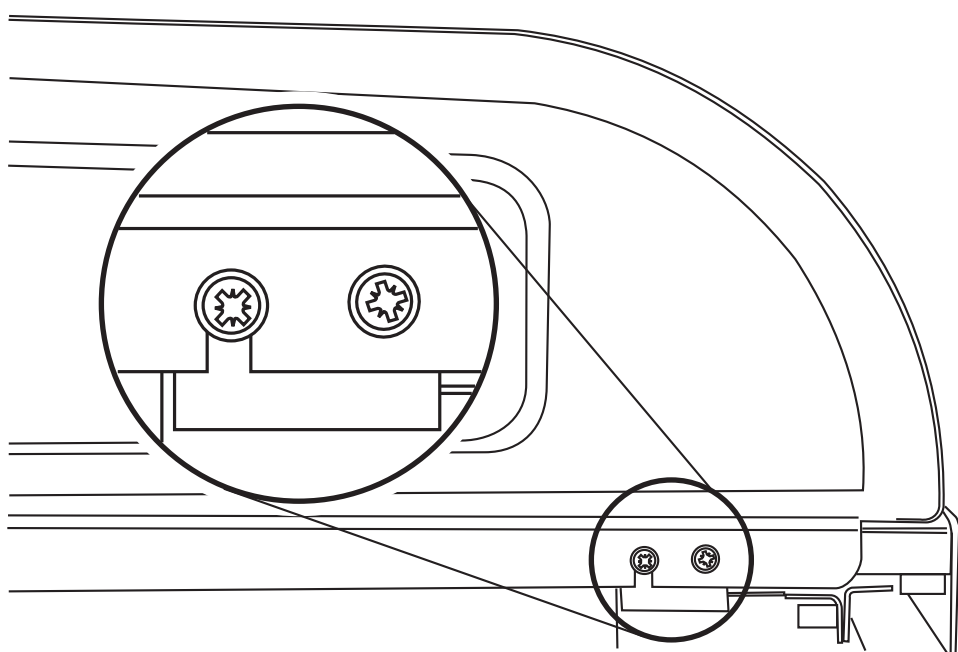
Leave the levelling tool on the adjuster with the handle of the tool facing the rear of the cooker, so that the customer can use it if they wish to move the cooker.

Replace the drawer by locating on side runners and push in.



### Fitting the splash back (Classic model only)

The cooker can be installed with or without the supplied splashback. To fit the splash follow the instructions below.

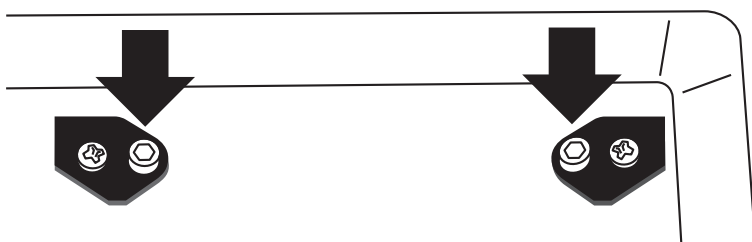


view from the rear of the cooker

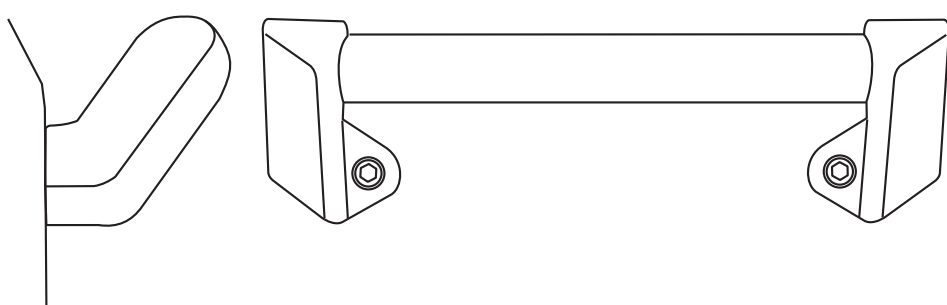
The splash back is fitted using 4 screws in the rear edge of the flue grille, two at each end. Remove the outer two screws and loosen the inner pair. Fit the splash over the inner screws and then refit the outer two screws. (see figure).

### Fit the Handles (Classic model only)

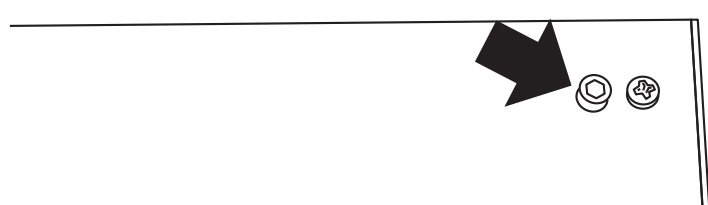
Remove the 4mm Allen screws from the doors with the hexagon key tool. Use the screws to fit the door handles.



The handles should be above the fixings.



Remove the 4mm Allen screws from the top corners of the control panel and fix the front handrail in position.



### Anti-Tip Device

#### WARNING

An anti-Tip bracket and chain should be fitted when the cooker is connected to a flexible gas supply.

Unless properly installed, the cooker could be tipped by leaning on the door. Injury might result from spilled hot liquids or from the cooker itself.

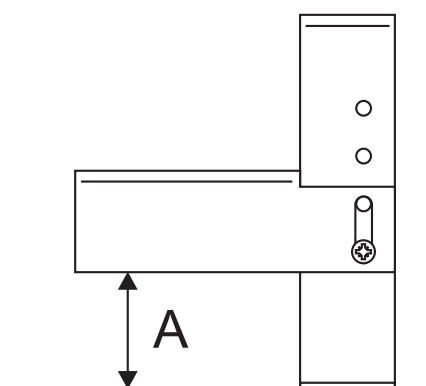
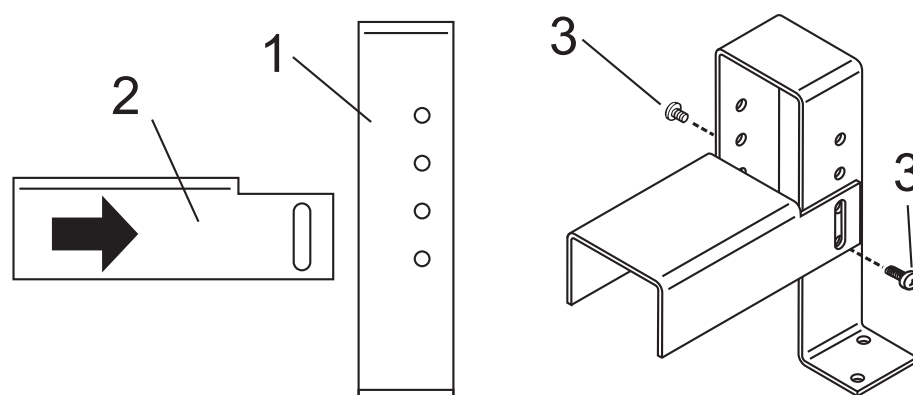
### Kit contents

Key No	No Of	Description
1	1	Anti-Tip Bracket Base
2	1	Anti-Tip Bracket extension
3	2	M5 screw

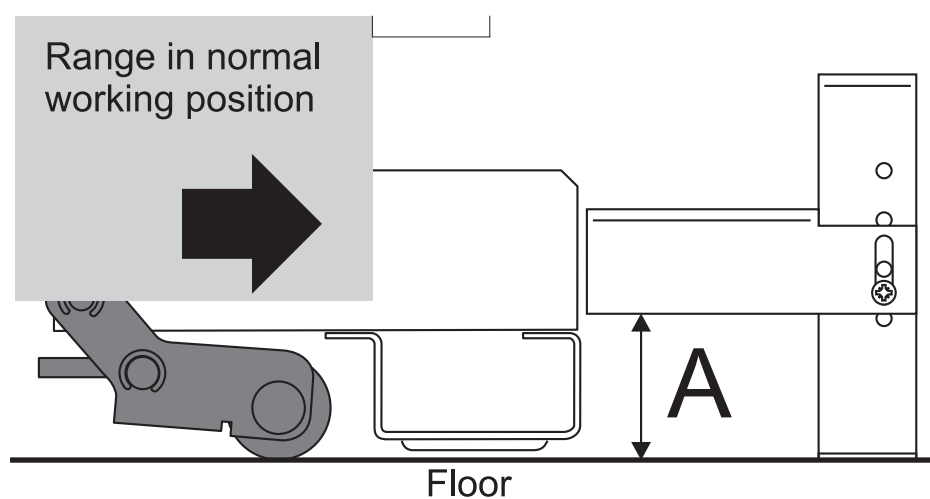
The cooker must be set to the correct height and leveled before the anti-tip bracket is installed.

### Floor Attachment

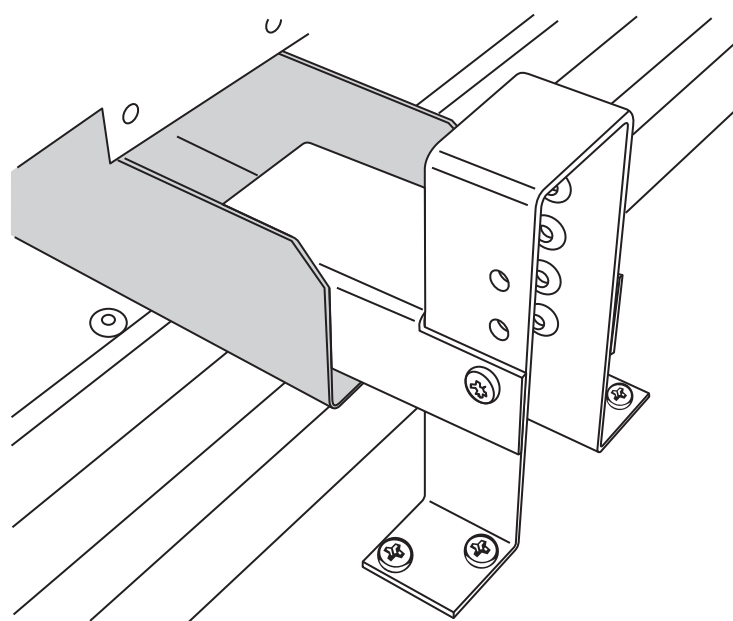
Key No's 1 and 2 can be assembled as shown below using Key No. 3.



Dimension 'A' should be set to give a clearance of about 6 mm above the center channel of the cooker base.



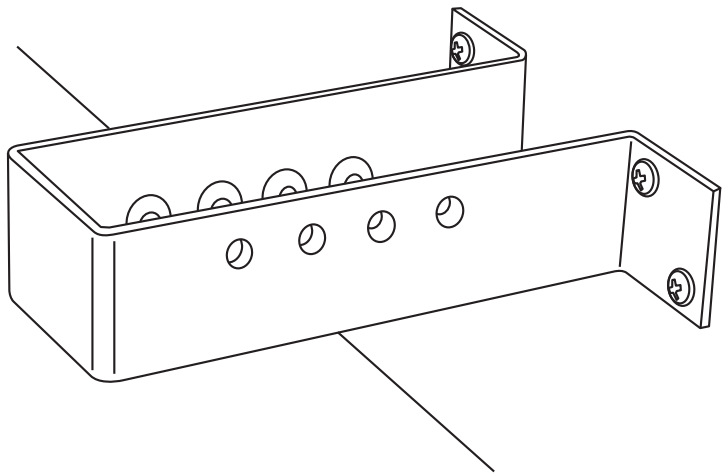
The assembled bracket should be firmly secured to the floor to give a minimum engagement of 50 mm in the center channel of the cooker base.



## Australia

### Wall Attachment

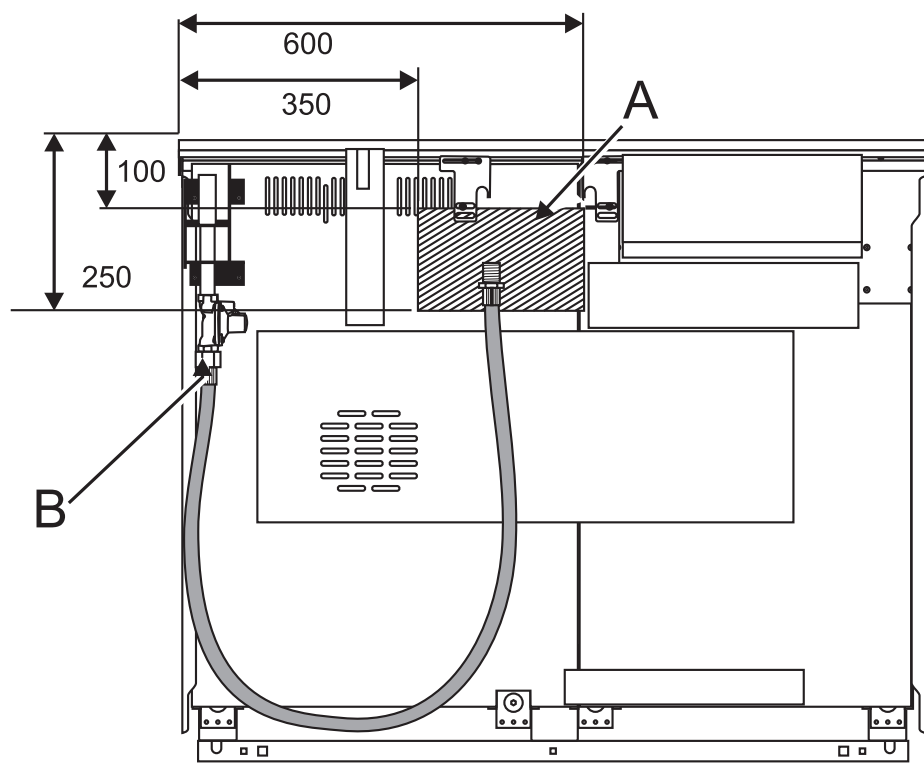
When floor attachment is impracticable and provided that the anti-tip bracket base can be securely fixed to a solid wall or wall stud. Discard Key No 2.



**For both floor and wall attachment it is essential to use the appropriate fixing screws and to ensure that the Anti-Tip Bracket is firmly attached .**

### Gas Connection

The Gas supply needs to terminate with a down facing bayonet. The rear cover boxes limit the position of the supply point.



view from the back

A position for gas supply connector

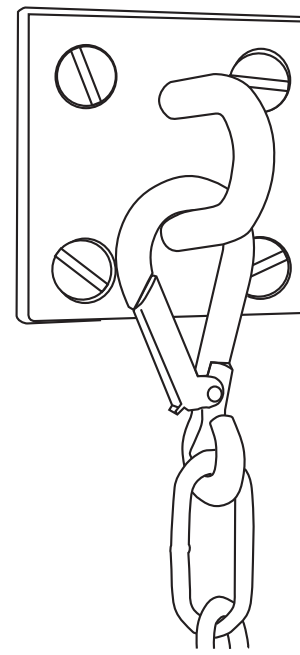
B appliance gas inlet

Because the height of the cooker can be adjusted and each connection is different it is difficult to give precise dimensions. Ideally the house supply connection should be in the shaded area shown in the diagram. Means of isolation must be provided at the supply point by either an approved quick-connect device or a Type 1 manual shut-off valve. The hose should be fitted so that both inlet and outlet connections are vertical so that the hose hangs downwards in a 'U' shape.

The connector is located below the hotplate level at the rear of the cooker.

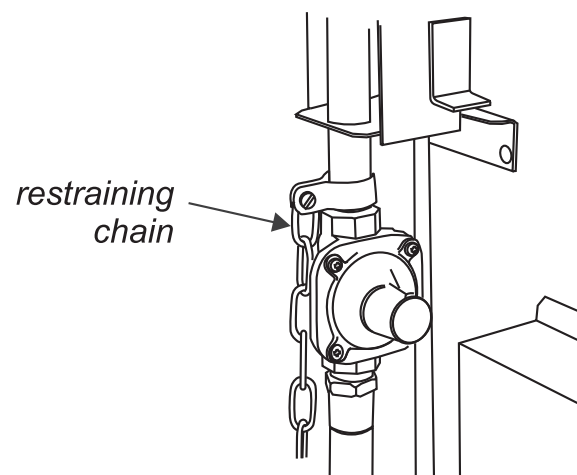
A flexible connection is supplied with the cooker. If it is necessary to use another hose it must be to A.S. 1869 class B and suitable for your gas type. If in doubt contact your supplier.

To prevent strain on the connections to the cooker the restraining chain should be used.



Securely fix the supplied wall bracket to the fabric of the building and clip the supplied restraining chain to the bracket.

Measure the length of chain required. Use the clamp supplied to clamp onto the gas pipe as shown.



Hook the other end of the chain to the wall fixing.

After completing the gas connection, check the cooker is gas sound with a pressure test. When checking for gas leaks do not use washing up liquid - this can corrode. Use a product specifically manufactured for leak detection.

### Natural Gas

The adjustable spring loaded gas pressure regulator is pre-set to give a nominal pressure of 1kPa on NG. Connect to the Rp 1/2 inlet on the underside of the gas pressure regulator.

### Propane

This cooker is supplied ready for use on natural gas. A conversion kit for Propane gas is supplied with the cooker - see the conversion instructions in the next section.

### Pressure testing

Pull the cooker forward, if necessary, to gain access to the rear.

The pressure test point is accessible on the connector block at the centre rear. Remove the test nipple screw and fit a pressure gauge to the test point. Turn on and light 2 of the hotplate burners.

See Technical data section at the back of this book for test pressures.

### Electrical Connection

**WARNING: THIS COOKER MUST BE EARTHED.**

All external wiring must comply with the IEE Regulations for the Electrical Equipment of Buildings. Connection to the

**WARNING - SERVICING TO BE CARRIED OUT ONLY BY AN AUTHORISED PERSON**  
**Disconnect from electricity before servicing. Check appliance is safe when you have finished.**

electrical supply can be made with either a plug and socket or be permanently wired via a double - pole switch.

The appliance is supplied with a 250v high temperature PVC (85°C) 3 core cable, 0.75mm<sup>2</sup>, 2m long. If a replacement cable is fitted it must be to this specification. The cooker may possibly be supplied with either a moulded or rewirable plug fitted. Should the plug (where supplied) not fit the socket in your home, it should be removed and replaced with a suitable plug.

**Note: If a moulded plug is fitted which is not suitable, it must be cut off and disposed of properly. To avoid the risk of electrocution, the moulded plug must not be left where children might find it and plug it into a supply socket. It must not be used for any other appliance.**

### IMPORTANT

The wires in the mains lead are coloured in accordance with the following code:-

- GREEN AND YELLOW ..... EARTH
- BLUE..... NEUTRAL
- BROWN ..... ACTIVE

The wires should be connected into the terminal of your plug as follows:-

EARTH:..... to the terminal marked E, or coloured GREEN or GREEN / YELLOW.

NEUTRAL:... to the terminal marked N, or coloured BLACK or BLUE.

ACTIVE:..... to the terminal marked A, or coloured RED or BROWN.

When wiring the plug ensure that all strands of wire are retained in each terminal.

The flexible mains lead, plug and socket must not be directly exposed to flue products or be in contact with hot surfaces. The lead must not be trapped or pulled taut when the appliance is pushed into position.

Plug in the appliance. Turn on the electricity supply.

If there is an electrical fault carry out the following checks:-

## Electrical checks

### EARTH CONTINUITY CHECK

The cooker must be disconnected from the power supply. Set your meter to  $\Omega$  (ohm) on the X1 scale and adjust to zero if necessary.

Test the leads from any of the cooker's earth points (e.g. inside electric box cover) - to the earth pin on the cooker's plug - resistance should be less than 1  $\Omega$  (ohm). If it is not, check all the earth wires for continuity. Check that all contacts are clean and tight. Re-check. If the resistance is still greater than 1  $\Omega$  (ohm) there may be a problem, consult a qualified electrical engineer.

### POLARITY CHECK

The cooker must be connected to the power supply. Your meter should be set on 300V ac scale.

Test at the cooker terminal block:

1. Test leads from A to N. Your meter should read approximately 240V ac.
2. Test leads from A to E. Your meter should read approximately 240V ac.
3. Test leads from N to E. Your meter should read approx. 0-15V ac.

If the readings are different from these values there is an electrical fault. Rectify any fault and repeat the test. If necessary repeat the test at the supply system socket/ spur - if the fault also occurs at this stage then there is a house system fault that requires attention by the Electrical Authority.

The customer should be warned NOT to use the appliance until this examination has been carried out.

### Fitting the plinth

Loosen the 3 screws along the front bottom edge of the cooker. Hook the central keyhole over the central screw. Twist and fit each end keyhole over their respective screws. Tighten the fixing screws.

### Oven Light

Press the oven light switch and check that the light is working.

NB The oven light bulb is not included in the guarantee

### Hotplate check

Check each burner in turn. Press ignition switch on control panel. Push in tap and turn to the large flame symbol (♠).

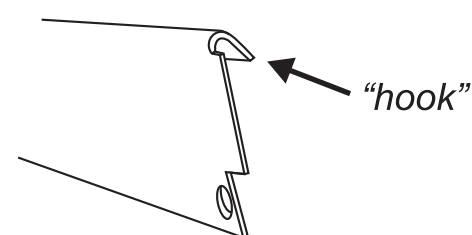
### Grill

Open the grill compartment door. Press ignition switch on control panel. Press in the grill knob, turn to the large flame symbol (♠).

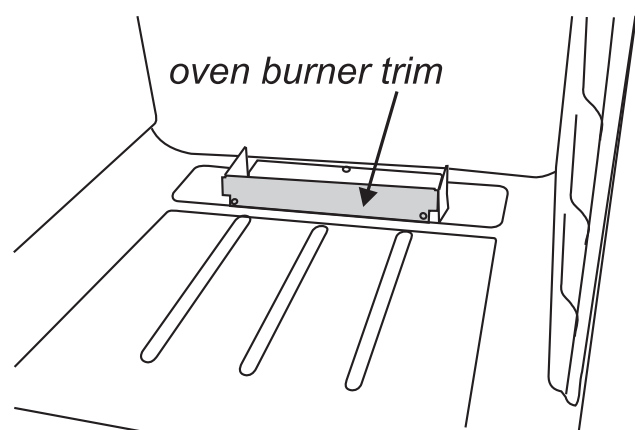
### Fitting the oven burner trim (supplied with some models only)



The loose oven burner trim hooks onto the front of the oven burner bracket.

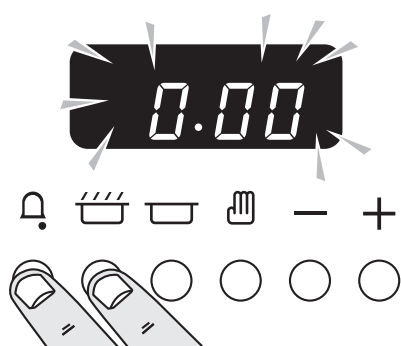


**WARNING - SERVICING TO BE CARRIED OUT ONLY BY AN AUTHORISED PERSON**  
Disconnect from electricity before servicing. Check appliance is safe when you have finished.



## Oven check

The clock must be set to the time of day before the ovens will work.



Press and hold as above.

At the same time, press - or + until the correct time shows.

Don't forget it's a 24 hour clock.

If you make a mistake or press the wrong button, turn off the power supply for a minute or two and start again.

## CONTROL KNOB (THERMOSTAT) CHECK

If (AUTO) is flashing, press and release the manual (👉) button. Check each oven in turn. Push in and turn the control knob to full on. A series of sparks will occur at the oven electrode and when the oven burner lights the sparking will stop. Heat the oven for 10 minutes at 235°C then turn to 120°C and check that the flame size has reduced. Turn off the oven and check that the oven burner goes out.

## TIMER AND SOLENOID CHECK

Automatic Operation of Timer: The gas supply to each oven can be controlled by the timer. Set a 'cooking period' time by pressing and releasing the (👉) button and using the + button to give a time of 2 minutes. By pressing and releasing the 'stop time' button (👉) the stop time is displayed. Add 3 minutes to this time by using the + button. The display will automatically change to show the time of day, the cooking symbol (👉) will go out and (AUTO) will show.

Push in and turn the oven knob to 235°C, the timer will run until the 'cook period' starts, when the oven solenoid will open and the burner will light automatically. The cooking symbol (👉) will show. At the end of the 'cooking period' the solenoid will close, the oven burner will go out and the beeper will sound (the beeper may be stopped by pressing the timer (👉) button). The flashing (AUTO) symbol is a reminder to reset to manual operation. Pressing the reset' button (👉) once to stop the beep and a second time to return to manual, turn off the oven knob.

## CONTROL KNOB (THERMOSTAT) CHECK

Set timer to manual. Check each oven in turn. Push in and turn the control knob to 235°C. A series of sparks will occur at the oven electrode and when the oven burner lights the sparking will stop. Heat each oven for 10 minutes at 235°C then turn to 120°C and check that the flame size has reduced. Turn off each oven and check that the oven burner goes out.

## Customer care

Please complete your details in this Guide, inform the user how to operate the cooker and hand over the Instructions.

## Thank you.



**WARNING - SERVICING TO BE CARRIED OUT ONLY BY AN AUTHORISED PERSON**  
**Disconnect from electricity before servicing. Check appliance is safe when you have finished.**

## Servicing Notes

This appliance must be serviced by a Authorised Person in accordance with the instructions.

When servicing or replacing gas carrying components disconnect from gas before commencing operation and check appliance is gas sound after completion. When checking for gas leaks use a liquid leak detector at all joints and connections to check for leaks in the system. Use a product specifically manufactured for leak detection.

Leak testing of the appliance shall be conducted in accordance to the manufacturer's instructions.

### CAUTION: DO NOT USE A FLAME TO CHECK FOR GAS LEAKS.

Do not use re-conditioned or unauthorised gas controls.

Disconnect from electricity supply before commencing servicing, particularly before removing any of the following: control panel, side panels, cooktop tray, or any of the electrical components or cover boxes. Before electrical reconnection check that the appliance is electrically safe.

### 1 To Remove the Control Panel

Disconnect from electricity supply.

#### Classic model only

Remove the handrail by removing the 2 end bracket fixing screws.



Pull off the push fit control panel end caps at each end and remove the end fixing screws under the end cap.



Open the oven door & or grill door and remove the fixing screws underneath the control panel. NB some models have a plate under the control panel held in place by the bottom fixing screws.

Pull off all the control knobs.

#### Other models

Slide the control panel to the right.

Pull the control panel forward. Take care not to damage or strain the wiring.

Disconnect the wiring from the rear. Reassemble in reverse order. When replacing leads refer to the wiring diagram. Check operation of timer.

### 2. To Remove Hotplate Trays

Disconnect from electricity supply.

Pull the cooker forward to gain access to the rear

#### Left hand tray

From the rear remove the screws securing the flue grille to the hotplate tray. Remove pan supports, burner heads and caps. Remove the 4 screws and washers holding the hotplate tray to the frame. Raise the front of the hotplate then withdraw.

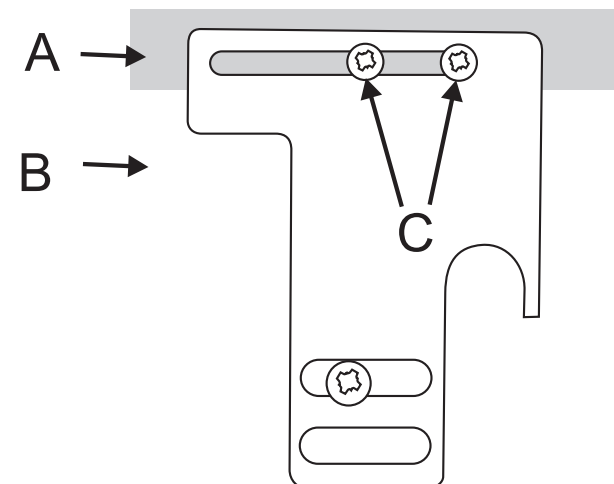
#### Right hand tray

From the rear remove the screws securing the flue grille to the hotplate tray. If the LH hotplate has not been removed, slacken the screws holding the L H tray. Remove pan support, burner head, caps and trim rings. Remove the screws holding the Wok burner to the hotplate. Remove the two screws and washers holding the RH tray to the frame. Press the Wok burner down slightly and, taking care not to damage the Wok burner electrode, slide the tray about 30mm to right to clear the locating brackets on the R H side. Lift tray slightly at the front and taking care not to stress the Warmer/lead junction, disconnect the leads to the Warmer neon and separate the leads at the piggybacks. Withdraw the hotplate.

Reassemble in reverse order ensuring that the leads are reconnected. When replacing the RH hotplate take care not to damage the ignition electrode of the Wok burner.

It is important that the rear fixing screws are refitted as they form part of the cooker earthing.

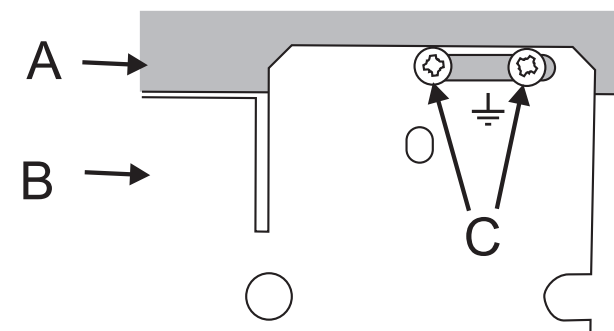
On some models there is a separate plate.



A flue grill, B cooker backsheet, C earthing/fixing screws

On others it is a tag on the cooker backsheet.

It is important that the tag is on the outside and that both fixing screws are fitted.



A flue grill, B cooker backsheet, C earthing/fixing screws

Check for correct burner operation.

**WARNING - SERVICING TO BE CARRIED OUT ONLY BY AN AUTHORISED PERSON**  
**Disconnect from electricity before servicing. Check appliance is safe when you have finished.**

**3. To Remove Side Panels**

Disconnect from electricity supply.

Remove the Control Panel - see 1. Pull the cooker forward. Remove the 4 retaining screws for each panel (1 at the front base, 1 on the top and 2 at the rear).

Reassemble in reverse order.

**4. To Remove Ignition or light Switch**

Disconnect from electricity supply.

Remove the Control Panel - see 1.

NB. The old switch may be destroyed during removal. Remove the old switch from its bezel by gripping the switch body behind the control panel and twisting sharply. The switch bezel can then be removed by folding back its locking wings and pushing forward. Fit the new bezel to the control panel by first lining up the raised key on its body with the cutout in the control panel and pushing it in from the front. Assemble the new switch to the bezel by lining up the key sections and pushing home. Fit the new button by pushing in from the front.

Replace Control Panel in reverse order and test for ignition.

**5. To Remove Clock**

Disconnect from electricity supply.

Remove the Control Panel (See 1). Pull off the timer control buttons.

Remove the timer/mounting bracket assembly from the control panel by removing the fixing screws.

Remove the timer from its mounting bracket by depressing the plastic lugs on the timer case, at the same time pulling the unit forward.

Reassemble in reverse order. When replacing leads refer to the wiring diagram. Check operation of timer.

BEFORE SERVICING ANY GAS CARRYING COMPONENTS  
TURN OFF GAS SUPPLY.

**6. To Remove a Thermostat**

Disconnect from electricity supply.

Remove RH hotplate tray. (For L H oven remove L H side panel (see 3).) Open appropriate oven door.

Unclip the thermostat phial from the clips at the front of the oven roof. Disconnect tubing nut at rear of thermostat and remove the screw(s) securing the thermostat to the gas rail. Remove thermostat and gasket/seal. When fitting replacement thermostat use the new gasket/seal supplied.

Ensure that the capillary is clipped to the bracket at the front of the oven roof.

Reassemble in reverse order. Check appliance is gas sound. Check operation of thermostat.

**7. To Change Grill Control Tap**

Disconnect from electricity supply.

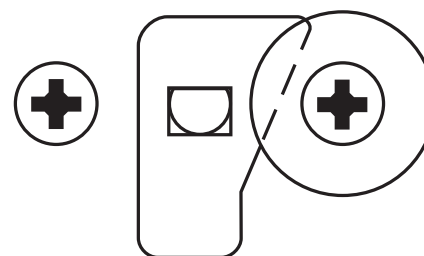
Remove the Control Panel - see 1. Lift up the RH hotplate tray front (see 2). Undo the gas connection to rear of valve and remove the screw(s) securing tap to gas rail. Remove

old tap, discard old gasket/seal. Fit new gasket/seal to new tap.

Reassemble in reverse order. Check tap is adjusted for correct gas. Check appliance is gas sound.

**8. To Change Warmer Switch**

Disconnect from electricity supply.



Remove RH hotplate tray. (see 2). Disconnect wiring from Warmer switch. Remove 2 screws holding switch to mounting panel, taking care not to lose the switch rotation limiter. Fit new switch and reassemble in reverse order. Check for correct operation.

**10. To Change Control Taps**

Disconnect from electricity supply.

Remove the Control Panel (see 1). Lift up the appropriate hotplate tray front (see 2).

Undo compression fitting at the rear of the tap. Remove the fixings that secure the tap to the gas rail. Remove the tap. Remove and discard the gasket seal. Fit new gasket seal to replacement tap. Re-assemble in reverse order. Check the appliance is gas sound. Check hotplate ignition.

**11. To Change Hotplate Burner Injector**

Remove burner cap and head. Remove old jet. Fit new injector. Reassemble in reverse order. Check appliance is gas sound.

**12. To Change Hotplate Burner Electrode**

Disconnect from electricity supply.

Lift off pan supports, remove burner cap. Remove the screw holding the electrode. Pull electrode vertically up sufficiently to grip the lead between thumb and forefinger. Pull off the electrode, but keep hold of the lead. Fit new electrode to the lead. Fix electrode in burner with screw. Replace burner cap. Check the burner ignition. Replace pan supports.

**13. To Remove or Change a Hotplate Burner.**

Disconnect from electricity supply.

Remove the hotplate tray (see 2).

**LH hotplate burners**

Remove heat shield (2 screws). The burners are mounted in 2's on cross supports. Disconnect the burner feed pipes at the burners. Remove the screw on the right holding the cross support. Slide the support to the right to release in from the left hand location. Lift the cross support and burners clear. The burners are fixed to the cross supports with 2 screws. Remove the appropriate burner and fit the new one. Reassemble in reverse order. Check burner operation is satisfactory.



**WARNING - SERVICING TO BE CARRIED OUT ONLY BY AN AUTHORISED PERSON**  
**Disconnect from electricity before servicing. Check appliance is safe when you have finished.**

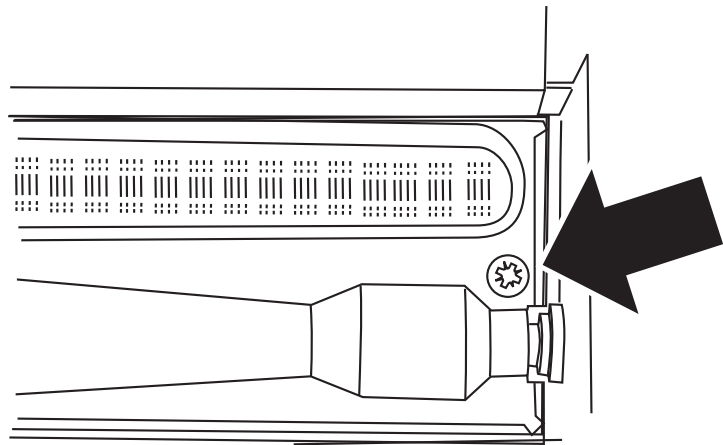
#### RH Wok burner

Disconnect the burner feed pipes at the burner. Fit the new one and reassemble in reverse order. Check burner operation is satisfactory.

#### 14. To Remove an Oven Burner

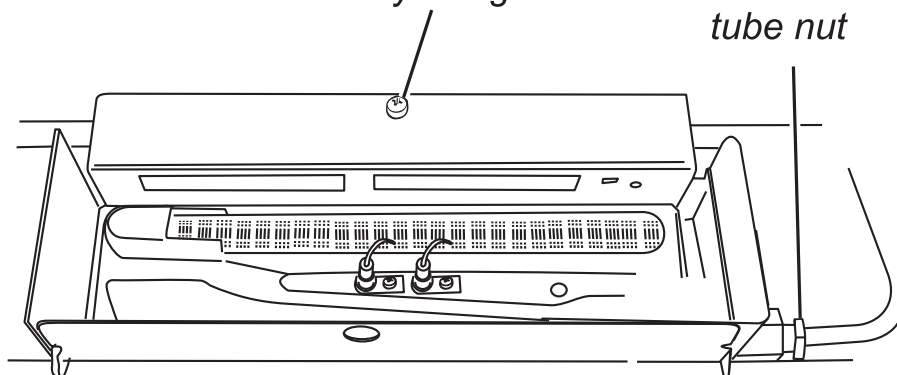
Open oven door and remove oven furniture. Remove securing screw at the right hand end. The burner is held in place by dimples in the mounting bracket. Slide the burner to the left and lift up taking care not to disturb or damage the two electrodes.

Reassemble in reverse order. Check the two electrodes have not been disturbed.



#### 15. To Change Oven Burner Assembly

*oven burner assembly fixing screw*



Open oven door. Disconnect the tube nut and tubing. Remove screw holding the oven burner assembly and withdraw complete assembly. Remove oven burner

Fit oven burner to new assembly. Replace complete assembly in the oven. Reconnect tube nut.

Check appliance is gas sound. Check correct flame save guard device operation

#### 16. To Change Oven Burner Injector

Remove the oven burner (see 14). The injector is now accessible. Remove the old jet and fit the new one.

Reassemble in reverse order. Check the flame save guard device probe has not been disturbed.

#### 17. To Change an Oven Programming Flame Safeguard unit.

**Disconnect from electricity supply.**

Pull cooker forward to gain access to the cover box at the rear of the cooker.

See 'Moving the Cooker' in installation section.

Remove the screws securing the cover and lift clear. Pull off all the leads to the PFS control unit noting their positions.

Slacken the 3 screws holding the control unit to the cooker and remove.

Fit new PFS unit to cooker and replace leads. Reassemble in reverse order. Refer to wiring diagram. Check performance.

#### 18 To Change Oven Solenoids

**Disconnect from electricity supply.**

Move the cooker forward to gain access to the rear. See 'Moving the Cooker' in installation section.

Remove the screws securing the cover and lift clear.

Disconnect solenoid leads and remove earth lead from earth screw. Unclip wires from cable ties.

Disconnect pipe tube nuts to solenoid unit. Unscrew the locking nut from the end connector and remove solenoid unit. Fit new unit to mounting bracket and fix in place with locking nut. Refit tube nut connections.

Replace leads (refer to wiring diagram). Replace wires in cable ties. Check appliance is gas sound. Refit cover box. Check for correct operation of solenoids.

#### 19. To Change Oven Electrode

**Disconnect from electricity supply.**

Remove oven burner (see 14). Remove screw and nut securing the electrode to the burner. Pull lead from back of electrode and fit to new electrode. Fit new electrode to burner.

Reassemble in reverse order.

Check ignition.

#### 20. To Remove Grill Door

Remove L H side panel (see 3). Remove the plinth (4 screws) and the central vertical cover (5 screws). Remove the two countersunk screws (1 each side) securing the grill hinge arms to the front of the grill chamber.

**NOTE:** The arms are spring tensioned. Carefully remove the grill door. Retain the gaskets.

Reassemble in reverse order ensuring that the gasket is fitted between the hinge arm and the front of the grill chamber.

#### 21. To Remove an Oven Door

Open oven door. Support the door and remove the two screws securing the upper hinge and gasket to the cooker front. Remove the door from the lower hinge by lifting slightly and moving outwards.

Reassemble in reverse order.

#### 22. To Change Ignition Generator

**Disconnect from electricity supply.**

Pull cooker forward to gain access to the cover box at the rear of the cooker. Remove the screws securing the cover and lift clear. Pull off all the leads to the generator noting their positions. Slacken the two screws holding generator to cooker and remove generator.

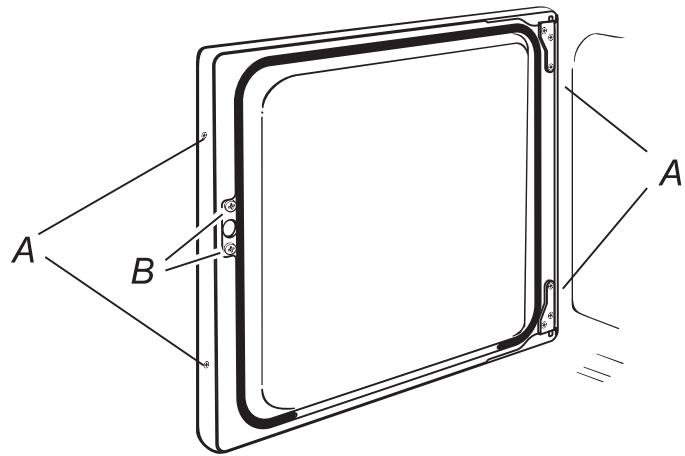
Fit new generator to cooker and replace leads. Reassemble in reverse order. Refer to wiring diagram. Check ignition performance.

**WARNING - SERVICING TO BE CARRIED OUT ONLY BY AN AUTHORISED PERSON**  
**Disconnect from electricity before servicing. Check appliance is safe when you have finished.**

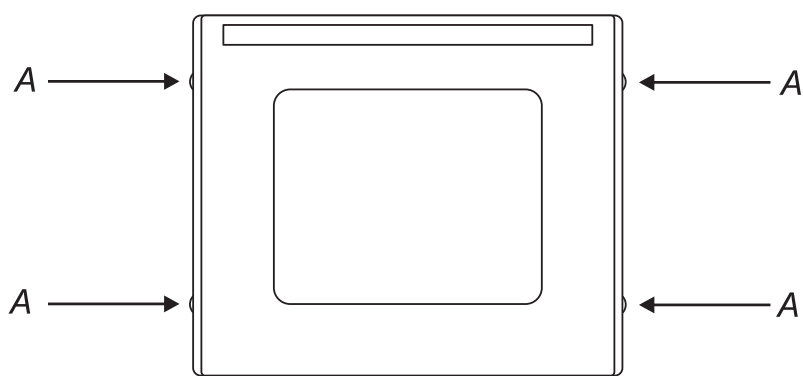
### 23. To Change Oven Door Outer Panel

Move the cooker forward to gain access to the sides.

#### Classic and Falcon 110 models



#### Toledo & Profesional models



Open the oven door slightly and remove the front panel fixing screws from both sides of the outer panel (A).

Carefully lift off the outer panel.

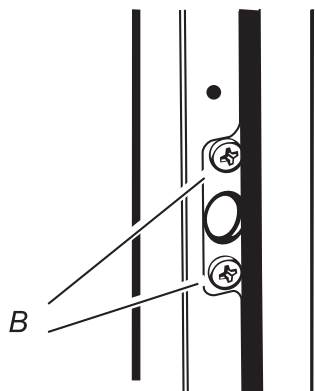
Remove the door handle from the panel by unscrewing the 2 retaining nuts.

Fit the door handle to the new panel. Fit the new panel to the door. Then reassemble in reverse order.

### 24. To Change Oven Door Latch

Remove outer door panel (see 22). Remove screws 'B' holding latch assembly to inner door panel. Fit new catch and reassemble in reverse order.

Check correct door operation.



### 25. To Change Warmer Neon

Disconnect from electricity supply.

Remove RH hotplate (see 2). Carefully place hotplate upside down on a suitable flat surface. Remove 2 screws holding

neon bracket to Warmer frame. Fit new neon and bracket assembly.

Reassemble in reverse order and check for correct operation.

### 26. To Change Warmer

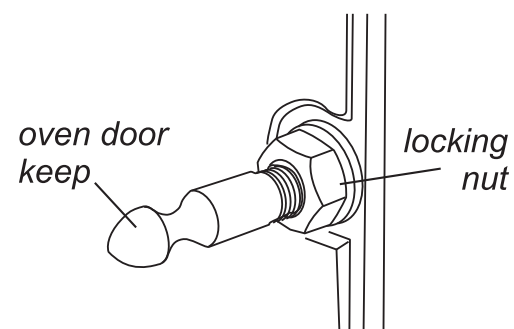
Disconnect from electricity supply.

Remove RH hotplate, see 2. Fit new RH hotplate and reassemble in reverse order.

Check High burner and Warmer operation is satisfactory.

### 27. To Adjust an Oven Door Catch Keep

Open oven door, slacken off locknut at base of keep, and screw in or out as required until required fit is obtained.

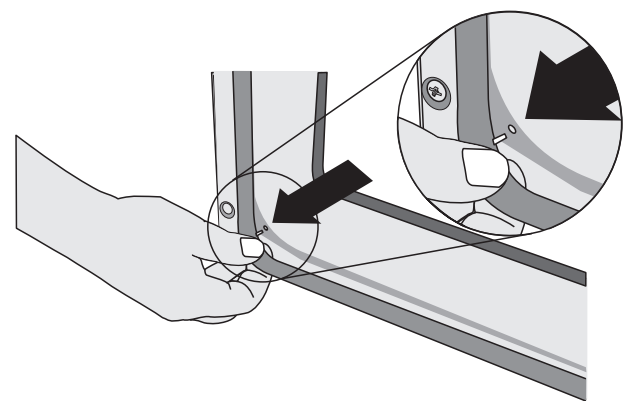


Retighten locking nut.

### 28. To Change Oven Door Seal

Open oven door. The seal is held in place by small hooks on the rear face. At the corner pull seal diagonally away from the door centre until that hook is released. Proceed to the next hook and release it in a similar way, and so on.

Use force if the hooks are stiff, as the old seal will be discarded.

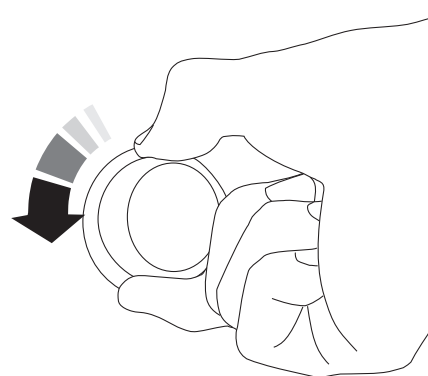


When fitting new seal, position the seal join at the bottom. Hook the new seal in one of the corner holes of the door, and proceed round the door snapping in each hook in turn.

### 29. To Change Oven Light Bulb.

Disconnect from electricity supply.

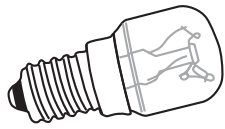
Make sure the oven is cool. Open the oven door and remove the oven shelves.



Unscrew the bulb cover by turning anticlockwise. It may be very stiff.

**WARNING - SERVICING TO BE CARRIED OUT ONLY BY AN AUTHORISED PERSON**  
**Disconnect from electricity before servicing. Check appliance is safe when you have finished.**

Taking care to protect your fingers in case the bulb should shatter, unscrew the old bulb.



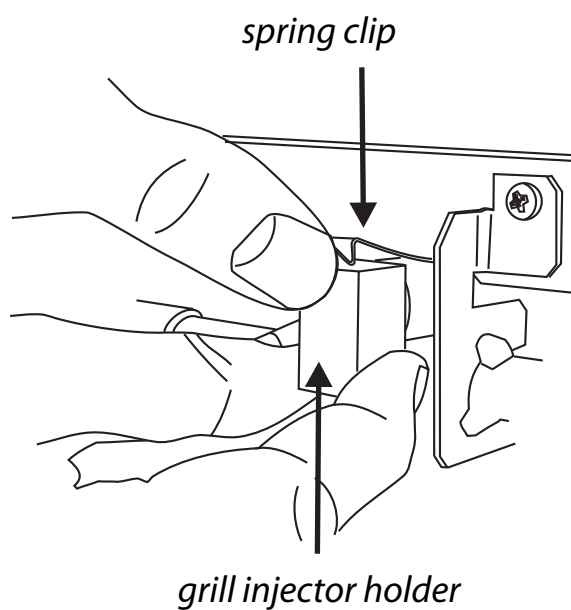
Fit an Edison screw fitting 15w 240v lamp, FOR OVENS. It must be a special bulb, heat resistant to 300°C.

Screw in the new bulb, screw back the bulb cover. Turn on the electricity supply and check that the bulb now lights.

### 30. To Change Grill Injector

Disconnect from electricity supply.

Remove the hotplate control panel, see 1.



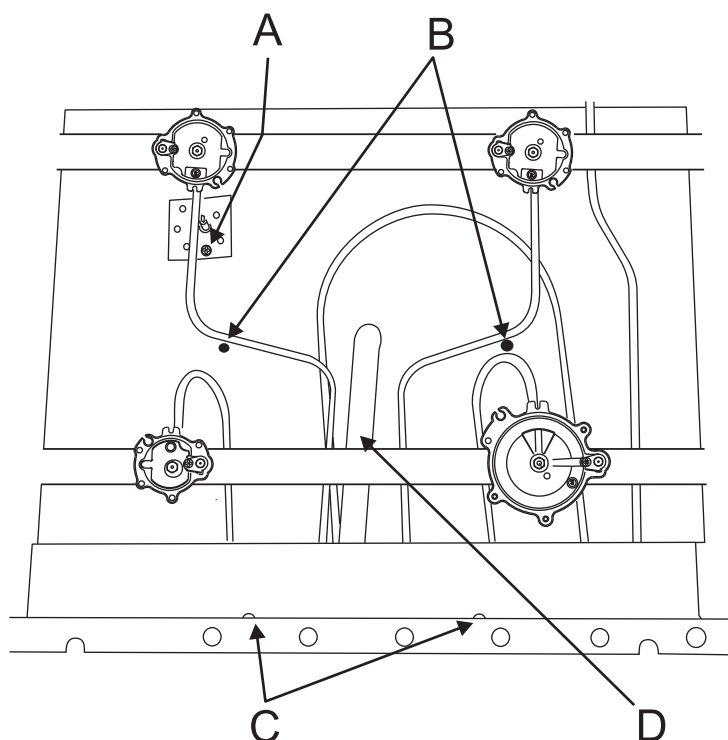
Lift up the spring clip retaining the grill injector holder and slide the injector holder out of the burner venturi. Remove grill jet from adaptor and fit new jet (see table at the back of the book for correct jet). Put the injector holder back in the burner venturi.

### 31. To Change Grill Burner

Disconnect from electricity supply.

Remove grill injector see 30.

- A grill electrode plate fixing screw
- B position of grill burner fixing screws
- C front shield fixing screws
- D grill venturi



Remove the 2 screws holding the front shield and remove the shield. Turn the grill venturi clockwise to clear the front cross-member, lift up and remove. For models with ignition disconnect the electrode lead and remove the screw holding the plate around the grill electrode. Support the grill burner from below and remove the two screws (under the foil wrap) securing grill burner the top of grill chamber. Remove grill burner.

Reassemble in reverse order taking care not to damage the grill electrode (where fitted).

### 32. To Change Grill Electrode

Disconnect from electricity supply.

Remove the grill burner see 31. Withdraw electrode and pull off electrode lead. Fit lead to new electrode.

Reassemble in reverse order and check ignition is satisfactory

### 33 To Adjust the Oven Door Angle

The door bottom hinge can be adjusted to alter the angle of the door.

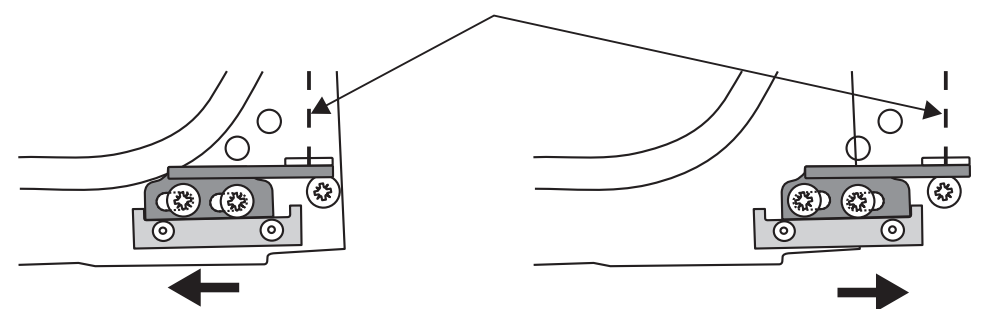
Loosen the bottom hinge fixing screws and use the notch and a flat bladed screwdriver to move the position of the hinge to set the hinge position.

Retighten the hinge screws.

Effect of hinge adjustment – exaggerated for clarity



Centre line of hinge pin



Oven door omitted for clarity

**WARNING - SERVICING TO BE CARRIED OUT ONLY BY AN AUTHORISED PERSON**  
 Disconnect from electricity before servicing. Check appliance is safe when you have finished.

## Conversion to another gas

### Conversion from Natural gas (1.0kPa) to LPG X Propane (2.75kPa)

This conversion must be performed by a competent person. After conversion the installation must comply with the relevant regulations and also the local electricity supply company requirements. Read the instructions before converting this appliance.

Failure to convert the appliance correctly could invalidate any warranty or liability claims and lead to prosecution.

This instruction must be used in conjunction with the appliance instruction, in particular for information on Standards, cooker positioning, connection hose suitability etc.

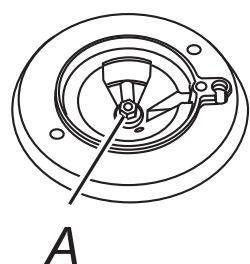
When servicing or replacing gas-carrying components disconnect from gas before commencing operation and check appliance is gas sound after completion.

Do not use re-conditioned or unauthorised gas controls.

## Hotplate

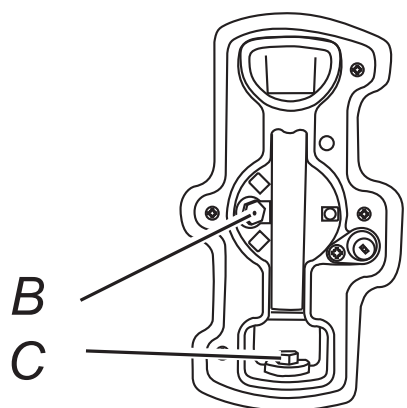
### Hotplate jets

Standard burner



A

Wok burner



B

C

A jet, B internal jet, C external jet

Remove burner caps and heads. Remove old jets. Fit new jets (see the table for correct jets). Reassemble in reverse order.

### Tap adjustment

Disconnect from electricity supply.

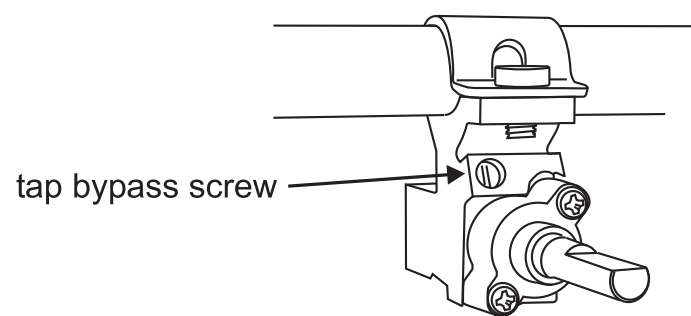
Pull off all the control knobs.

Open the grill door and R H oven door and remove the 6 fixing screws underneath the control panel. NB some models have a plate under the fascia held in place by the bottom fixing screws.



Slide the control panel to the right.. Pull the control panel forward. Take care not to damage or strain the wiring.

Disconnect leads from back of switches and timer. Lift control panel clear of cooker.

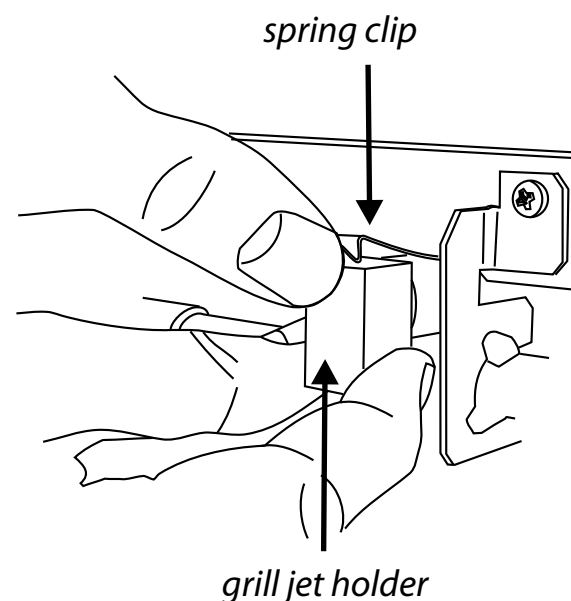


tap bypass screw

Remove the tap bypass screw and fit the correct new one. See table for correct screws.

## Grill

### Grill Jet



spring clip

grill jet holder

Lift up the spring clip retaining the grill jet holder and slide the jet holder out of the burner venturi. Remove grill jet from adaptor and fit new jet (see table for correct jet). Put the jet holder back in the burner venturi.

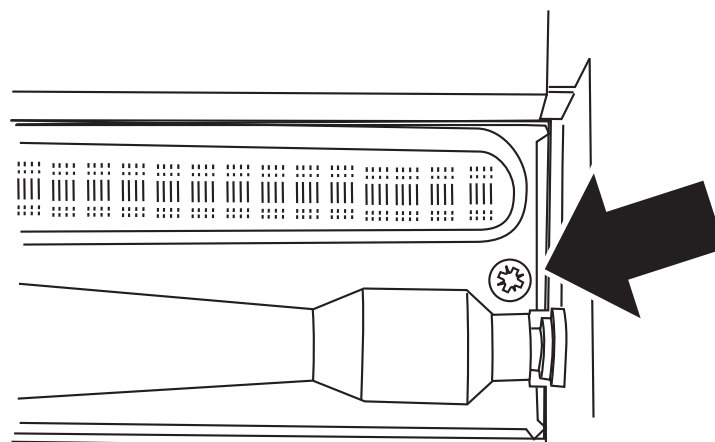
### Tap adjustment

Remove the tap bypass screw and fit the correct new one. See table for correct screw.

## Ovens

### Oven Burner Jets

Open oven door and remove oven furniture. Remove securing screw at the right hand end. The burner is held in place by dimples in the mounting bracket. Slide the burner to the left and lift up taking care not to disturb ignition electrode or the flame supervision device electrode positions.



Remove oven jet from adaptor and fit new jet (see table for correct jet).

Reassemble in reverse order.

### Oven thermostat Bypass

Remove the thermostat bypass screw and fit the correct new one for both ovens. See table for correct screws.



**WARNING - SERVICING TO BE CARRIED OUT ONLY BY AN AUTHORISED PERSON**  
 Disconnect from electricity before servicing. Check appliance is safe when you have finished.

## Reassemble

Reassemble the appliance

## Gas connection

Unscrew the inlet governor from the gas inlet and reconnect the gas hose with a 1/2" female /female connector. A 1/2" BSP connector is supplied

## Pressure Testing

Connect the appliance to the gas supply. Check the appliance is gas sound.

See Technical data section at the back of this book for test pressures.

Pull the cooker forward, if necessary, to gain access to the rear.

The pressure test point is accessible on the connector block at the upper right hand rear. Remove the test nipple screw and fit a pressure gauge to the test point.

## Stick on label

Stick the gas type label over the correct gas part of the appliance data label. Check the appliance is gas sound.

## Check the appliance is gas sound.

## Check operation of all the burners.

## Ratings

	Natural Gas 1.0kPa			L.P. Gas 2.75kPa		
Hotplate	Input	Injector	Bypass	Input	Injector	Bypass
Wok burner	15.2MJh <sup>-1</sup>	internal 112	90	15.0MJh <sup>-1</sup>	internal 66	54
		external 164			external 91	
Large Burner	12.3MJh <sup>-1</sup>	165	80	12.0MJh <sup>-1</sup>	89	41
Medium Burners	6.2MJh <sup>-1</sup>	115	56	6.2MJh <sup>-1</sup>	67	33
Small Burner	3.7MJh <sup>-1</sup>	92	48	3.3MJh <sup>-1</sup>	45	25
Ovens	9.5MJh <sup>-1</sup>	160	70	9.5MJh <sup>-1</sup>	87	79
Grill	10MJh <sup>-1</sup>	280	77	10MJh <sup>-1</sup>	100	96

**Gas burner inputs are based on Gross Calorific Value**



# Australia

## Technical Data

---

### This cooker is designed for use on Natural Gas:-

A conversion for LP (LPG X Propane (2.75kPa)) gas is available.

INSTALLER: Please leave these instructions with the User.

DATA BADGE LOCATION : LOWER RIGHT HAND COOKER UPRIGHT (Remove storage drawer)

Country of Destination: Australia

Gas		Electric
Natural Gas	1kPa	220 - 240V 50Hz
Propane	2.75kPa	

(See appliance data badge for test pressures)

### Dimensions

Overall height	minimum 893mm	maximum 920mm
Overall width	1100mm See 'Positioning of Cooker'	
Overall depth	648mm	
Space for fixing	See 'Positioning of Cooker'	
Minimum space above hotplate	650mm	

### Connections

Gas:	Electric
Rp 1/2 at rear right-hand side	220 - 240V 50Hz

### Ratings

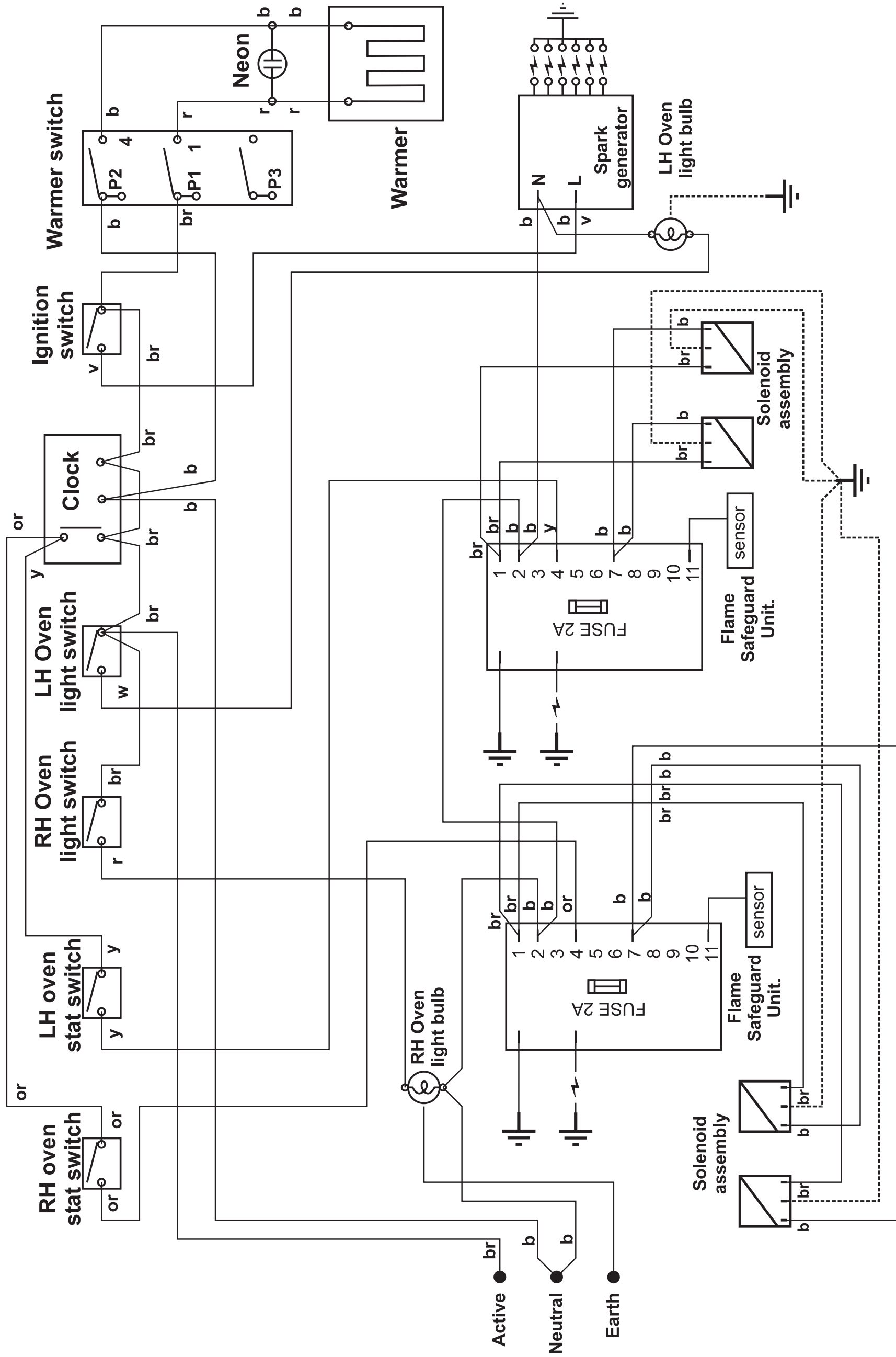
Hotplate	Natural Gas 1.0kPa			L.P. Gas 2.75kPa		
		Injector	Bypass		Injector	Bypass
Wok burner	15.2MJh <sup>-1</sup>	internal 112	90	15.0MJh <sup>-1</sup>	internal 66	54
		external 164			external 91	
Large Burner	12.3MJh <sup>-1</sup>	165	80	12.0MJh <sup>-1</sup>	89	41
Medium Burners	6.2MJh <sup>-1</sup>	115	56	6.2MJh <sup>-1</sup>	67	33
Small Burner	3.7MJh <sup>-1</sup>	92	48	3.3MJh <sup>-1</sup>	45	25
Ovens	9.5MJh <sup>-1</sup>	160	70	9.5MJh <sup>-1</sup>	87	79
Grill	10MJh <sup>-1</sup>	280	77	10MJh <sup>-1</sup>	100	96

Gas burner inputs based on Gross Calorific Value

Warmer	160W
--------	------

**WARNING - SERVICING TO BE CARRIED OUT ONLY BY AN AUTHORISED PERSON**  
 Disconnect from electricity before servicing. Check appliance is safe when you have finished.

# Circuit Diagram



## Colour Code

b: blue, br: brown, g: grey, or: orange, r: red, w: white, y: yellow