

Digital Kitchen Scale

models 00940 / 00946 / 00947



CONTENTS

| | | | |
|-----------------------------------|---|----------------------------|---|
| Package Contents | 2 | Set the Mode & Units | 5 |
| Customer Support | 2 | Using the Scale | 6 |
| Features & Benefits..... | 3 | Troubleshooting | 8 |
| Setup | 4 | Care & Maintenance..... | 8 |
| Install or Replace Batteries..... | 4 | Specifications..... | 8 |
| Set the Time..... | 5 | | |

Questions? Contact Customer Support at
(877) 221-1252 or visit www.AcuRite.com.

SAVE THIS MANUAL FOR FUTURE REFERENCE.



Congratulations on your new AcuRite product. To ensure the best possible product performance, please read this manual in its entirety and retain it for future reference.

Package Contents

1. Scale
2. Instruction Manual

Customer Support

AcuRite customer support is committed to providing you with best-in-class service. **For assistance**, please have the model number of this product available and contact us in any of the following ways:



(877) 221-1252

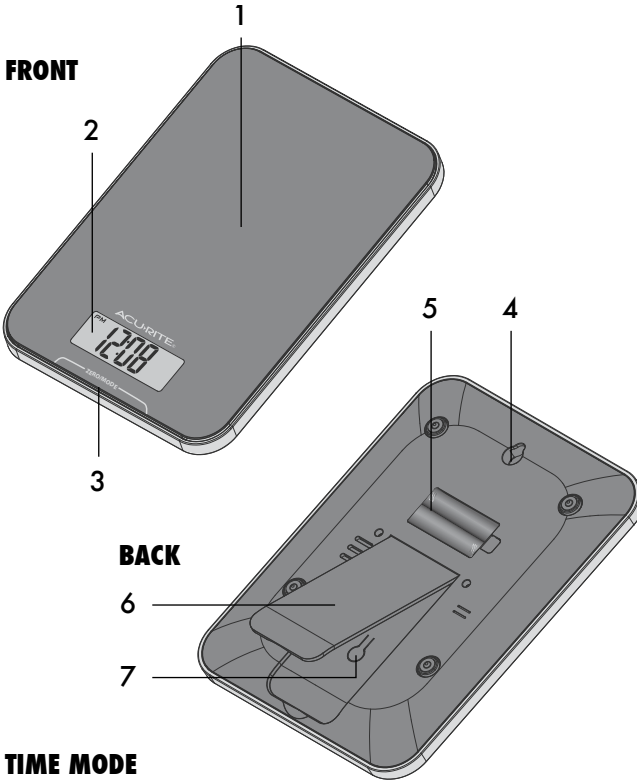


info@chaney-inst.com

24/7 support at www.AcuRite.com

- ▶ Installation Videos
- ▶ Register your Product
- ▶ Instruction Manuals
- ▶ Support User Forum
- ▶ Replacement Parts
- ▶ Submit Feedback & Ideas

Features & Benefits



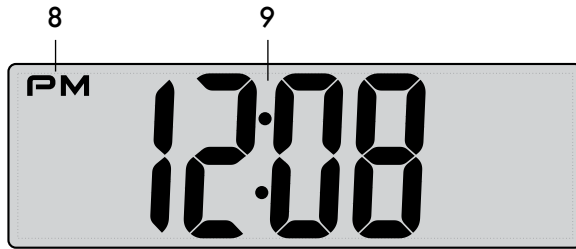
FRONT

1. Weighing Area
2. Display
3. ZERO/MODE Button

BACK

4. Integrated Hang Hole
for wall mount storage.
5. Battery Compartment
6. Stand
7. Unit Conversion Button

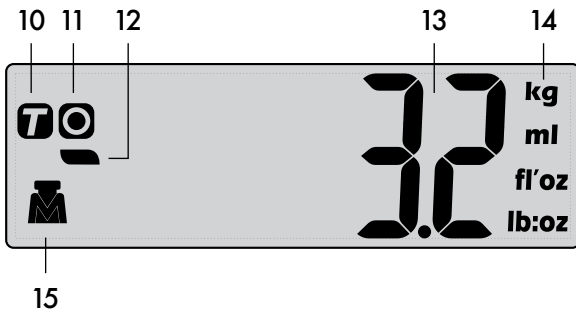
TIME MODE



TIME MODE

8. AM/PM
9. Current Time

WEIGHT MODE



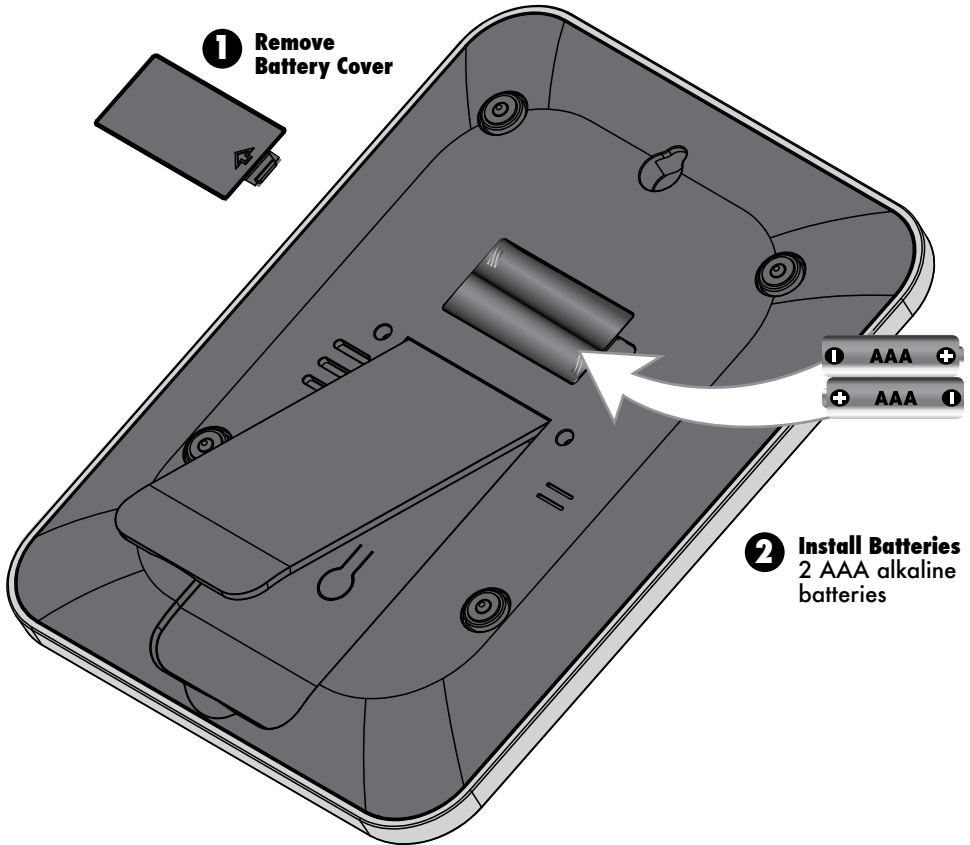
WEIGHT MODE

10. Tare Indicator
11. Zero Indicator
12. Minus Indicator
Indicates weight of item(s) removed from the scale.
13. Current Weight
14. Weight Units
15. Weight Mode Indicator
Toggle between weight, water and milk modes.

Install or Replace Batteries

AcuRite recommends high quality alkaline batteries for the best product performance. Heavy duty or rechargeable batteries are not recommended.

1. Remove the battery compartment cover.
2. Insert 2 x AAA batteries into the battery compartment, as shown. Follow the polarity (+/-) diagram in the battery compartment.
3. Replace the battery cover.



PLEASE DISPOSE OF OLD OR DEFECTIVE BATTERIES IN AN ENVIRONMENTALLY SAFE WAY AND IN ACCORDANCE WITH YOUR LOCAL LAWS AND REGULATIONS.

BATTERY SAFETY: Clean the battery contacts and also those of the device prior to battery installation. Remove batteries from equipment which is not to be used for an extended period of time. Follow the polarity (+/-) diagram in the battery compartment. Promptly remove dead batteries from the device. Dispose of used batteries properly. Only batteries of the same or equivalent type as recommended are to be used. DO NOT incinerate used batteries. DO NOT dispose of batteries in fire, as batteries may explode or leak. DO NOT mix old and new batteries or types of batteries (alkaline/standard). DO NOT use rechargeable batteries. DO NOT recharge non-rechargeable batteries. DO NOT short-circuit the supply terminals.

Set the Time

After battery installation, the scale will enter time setup mode automatically and the time shown on the display will flash.

1. With Hour display flashing, press ZERO/MODE to set current hour.
2. Press Unit Conversion button to confirm.
3. With Minute display flashing, press ZERO/MODE to set current minute.
4. Press Unit Conversion button to confirm time and enter Weight Mode.
5. To reset the time, press Unit Conversion button and HOLD for 3 seconds; repeat steps 1-4.

Set the Weight Mode & Measurement Units

When you are in Weight Mode, press the Unit Conversion button, located on the back of the scale, to toggle between kg/g and lb/oz.

Press and hold ZERO/MODE button for 3 seconds to toggle between measuring Weight (kg/g -lb/oz) and Volume (ml/oz).

Press and hold ZERO/MODE button for 3 seconds again to toggle between measuring volume for water and milk.



Weighing mode



Water volume mode



Milk volume mode

Using the Scale

Measure Weight

The scale's default mode is set to weigh solid items. Volume Mode, used for weighing liquids, allows you to choose between WATER or MILK modes because milk is denser than water.

1. Place the scale on a flat, stable surface.
2. Gently touch the center of the scale; wait for the display to show 0.
3. To set the mode, press and hold the ZERO/MODE button for 3 seconds (toggle between Weight, Water and Milk modes).
4. Place item to be measured within the center of the Weighing Area of the scale.
5. Volume or weight will be shown on the display.

Zero & Tare Functions

To measure items as they are added, use the Zero and Tare Functions. If the weight of the items being measured is below 4% of the scale's capacity (less than 0.4kg/0.9lb), the Zero function is used. If the weight of the items exceeds 4% of the scale's capacity, the Tare function is used.

1. Place the first item(s) within the center of the Weighing Area of the scale to take a measurement.
2. Without removing the item(s), press the ZERO/MODE button to reset the display to 0.
3. Depending on the weight of the item(s), you will see the Zero indicator "0" or the Tare indicator "T" on the display.
4. With the first item(s) still in place, add the next item to the surface of the scale. The display will now show the weight of that item.
5. Press ZERO/MODE to see the combined weight of the two items.
6. Press ZERO/MODE again to reset the display to 0.
7. Repeat these steps until all items have been added.

Note: Adhere to the maximum weight capacity of the scale.

Minus Function

If you add multiple items to the scale at one time to get a total weight, you can identify the value of a single item or ingredient by using the Minus Function:

1. Add item(s) to the scale; display shows total weight.
2. Press ZERO/MODE to reset display to 0.
3. Remove an item.
4. Display shows the weight of the removed item with the Minus Function

indicator (negative value is shown on the display).

5. Press ZERO/MODE to view cumulative weight of any remaining items.

6. Repeat steps as needed.

Warning Messages



Replace batteries (see page 4).



Maximum capacity has been exceeded. Remove items to prevent damage.

Storage

When not in Weight Mode, the scale will display the current time. The scale can be stored on a level surface, stand upright by using the stand on the back, or can be hung by using the integrated hang hole.

Troubleshooting

| Problem | Possible Solution |
|-----------------------------------|--|
| Display screen not working | <ul style="list-style-type: none">• Check that the batteries are installed correctly. Batteries may need to be replaced. |

If your AcuRite product does not operate properly after trying the troubleshooting steps, visit www.AcuRite.com or call (877) 221-1252 for assistance.

Care & Maintenance

Store in a dry location at room temperature. Clean with a soft, damp cloth. DO NOT immerse in water or use caustic cleaners or abrasives. All parts should be wiped clean immediately after direct contact with foods. Avoid contact with acids and citrus juices. Use the scale on a hard, flat surface. DO NOT strike, shake or drop the scale. Scale is not designed for commercial use.

Specifications

| | |
|----------------------------|----------------------------|
| MAX WEIGHT CAPACITY | 10kg / 22lbs |
| POWER | 2 x AAA alkaline batteries |

ACURITE®



Weather
Stations



Temperature
& Humidity



Weather
Alert Radio



Kitchen
Thermometers
& Timers



Clocks

It's more than accurate, it's **ACURITE®**.

AcuRite offers an extensive assortment of precision instruments, designed to provide you with information you can depend on to Plan your day with confidence™.

www.AcuRite.com