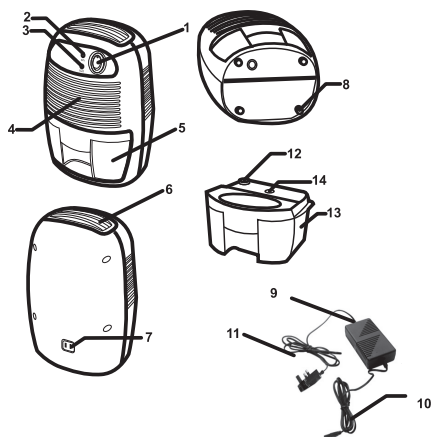


GB

User Manual

NAMES AND FUNCTION OF PARTS



- 1) On/ Off button
- 2) "On" green LED
- 3) "Full" red LED
- 4) Air inlet
- 5) Removable water tank
- 6) Dry air outlet
- 7) DC Power socket
- 8) Rubber feet
- 9) AC/ DC power adaptor
- 10) DC power jack
- 11) AC plug with power cord
- 12) Water displacement hole
- 13) Water tank
- 14) Hydraulic Cut-off

FEATURES

The mini dehumidifier uses Peltier technology (no compressor), which makes it light and quiet. It is perfect for small rooms. Poor ventilation causes musty odour and fungus in wardrobes, larder, cabinet or storage room...etc. The mini dehumidifier eliminates this problem by keeping them free of unwanted moisture.

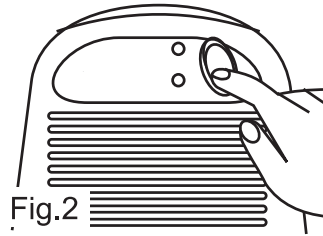
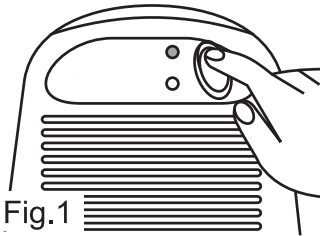
- ★ To avoid electric shock. Do not open. There are no user serviceable parts inside.
- ★ Any repair work must be done by qualified technician appointed by our distributors.
- ★ Specifications are subject to change for improvement without prior notice.

SPECIFICATIONS

Capacity	: approximately 280ml per day at 32°C, 90% RH
Cooling element	: thermo-electric Peltier module
Fan	: 80mm x 80mm DC Brushless motor
Power adaptor	: 10V DC 2.4A mp
Power consumption	: 24 W
Removable water tank	: 500 ml
Water Level Detector	: Automatic switch off with "Red" LED Indicator when water tank is full
Product dimension	: 154 mm (W) × 218 mm (H) × 130 mm (D)
Working environment	: Over 15°C, over 40% RH

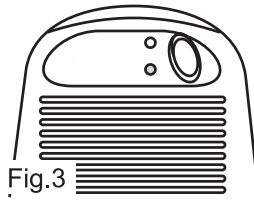
CONNECTION

- After removing the packaging materials, there should be 2 items:
 - mini dehumidifier
 - AC/ DC Power adaptor
- Plug the DC power jack of AC / DC power adaptor to the DC power socket, then connect the AC plug of the AC / DC power adaptor to the appropriate main socket.
- Press the " On / Off " button to " On " position, the mini dehumidifier will begin to operate. The green LED will be turned on. Listen and feel for the air blowing from dry air outlet.
- o switch off the unit, press " On / Off " button to " Off " position, the mini dehumidifier will be turned off.



REMOVABLE WATER TANK

When the water tank is full, with approximately 500 ml of water collected, the unit will be switched off automatically and the " Red " LED will be on.



To remove the water tank, first switch off the mini dehumidifier, press " On / Off " button to the " Off " position. Then, remove the water tank from the unit and dispose of the water. Put the water tank back into the unit. To continue dehumidifying, press the "On / Off" button to "On" position again.

REMOVABLE WATER TANK

Before cleaning the unit, turn off the mini dehumidifier and unplug the AC plug from the main socket first. Use a piece of soft cloth to clean the surface of the product or use a brush to wipe the dust off the grills of the air inlet.

CAUTIONS

1. After having finished using the mini dehumidifier, the user should switch the unit off by pressing the “ On / Off “ button to “ Off “ position.
2. Avoid using the AC / DC power adaptor in wet or damp place, and position it in areas where the air ventilation is good.
3. Keep the front inlet grill and the top outlet free from any air blocking materials.
4. If the unit has been properly connected and no power is flowing, have the AC / DC power adaptor and the dehumidifier unit checked by a qualified electrician.
5. Always keep the unit at an up-right position to avoid water leakage.

AMCOR UK SUPPORT

Please, for your own convenience, make these simple checks before calling the service line.

1. Has the unit been standing upright? (for at least 2 hrs)
2. Is the unit plugged into the mains? Is the fuse OK?
 3. Check if three minutes have passed after switching on the unit.
 4. Check whether the water tank is full.

If the unit still fails to operate call: 0871 620 1057 or fill the online form

Office hours: 9AM - 5PM Monday to Friday

www.amcoruk.com

Unit 2, The Nursery, Berristow Lane, South Normanton, Derbyshire, DE55 2FX