

Crestron **IM-WCVP**

iMedia Wall Plate Computer Center with
Video Control Panel

Operations & Installation Guide



This document was prepared and written by the Technical Documentation department at:



Crestron Electronics, Inc.

15 Volvo Drive

Rockleigh, NJ 07647

1-888-CRESTRON

All brand names, product names and trademarks are the property of their respective owners.

©2006 Crestron Electronics, Inc.

Contents

iMedia Wall Plate Computer Center with Video Control Panel: IM-WCVP	1
Introduction	1
Features and Functions	1
Application	3
Specifications.....	4
Physical Description	5
Industry Compliance.....	7
Setup.....	8
Network Wiring	8
Installation	8
Hardware Hookup.....	9
System Configuration	9
Operation.....	10
Problem Solving.....	11
Troubleshooting.....	11
Reference Documents.....	13
Further Inquiries	13
Future Updates.....	13
Return and Warranty Policies	14
Merchandise Returns / Repair Service	14
CRESTRON Limited Warranty	14

iMedia Wall Plate Computer Center with Video Control Panel: IM-WCVP

Introduction

Features and Functions

- Control panel for use with the IM-WCVI iMedia Wall Plate Computer Center with Video Interface¹
- Connects to IM-WCVI to create IM-WCCV-S Wall Plate Computer Center with Video using CresCAT™-IM iMedia cable or other high quality CAT5 cable (up to 40 feet)²
- Controls volume, source selection, and power for iMedia systems
- Mounts in a standard, 2½ inch deep, single-gang electrical box

1. The IM-WCVP is part of the IM-WCCV-S. It must be used with the IM-WCVI.
2. For more information on CresCAT-IM cable, refer to the latest version of the IM-WCVI guide (Doc. 6488), available from the Crestron website (www.crestron.com/manuals).

The iMedia Transport

The iMedia transport utilizes a single CAT5e* type cable to transmit computer RGB, video, and stereo audio signals to a single projector or plasma display. A typical XGA signal (1024 X 768 pixels at 60Hz) can be transmitted up to 84 feet using iMedia, while higher resolutions up to 1600 x 1200 can be handled over shorter distances. Composite video signals can be transmitted up to 218 feet. Audio is transmitted digitally at

20-bit, 48 kHz resolution. Control and power signals are also contained on the same wire, eliminating the need for separate control or power cables.

- * For iMedia use CresCAT-IM cable, or quality CAT5e/CAT6 cable having a maximum delay skew of 15ns per 100m.

2-Piece Wall Plate Multimedia Interface

The IM-WCCV-S is an iMedia (IM) transmitter featuring separate wall plates for interface and control. The interface panel (IM-WCVI) is designed to install in a standard 2-gang electrical box, providing video, RGB, and stereo audio inputs for connection to the output of a computer or AV source. The control panel (IM-WCVP) is a separate 1-gang wall plate, which may be installed up to 40 feet from the interface panel.

Installing wiring for the IM-WCCV-S is extremely simple using CRESCAT-IM cable. Up to three IM-WCCV-S's, or other IM transmitters, may be installed as part of a complete system to provide multiple input locations within the room.

Foolproof Operation

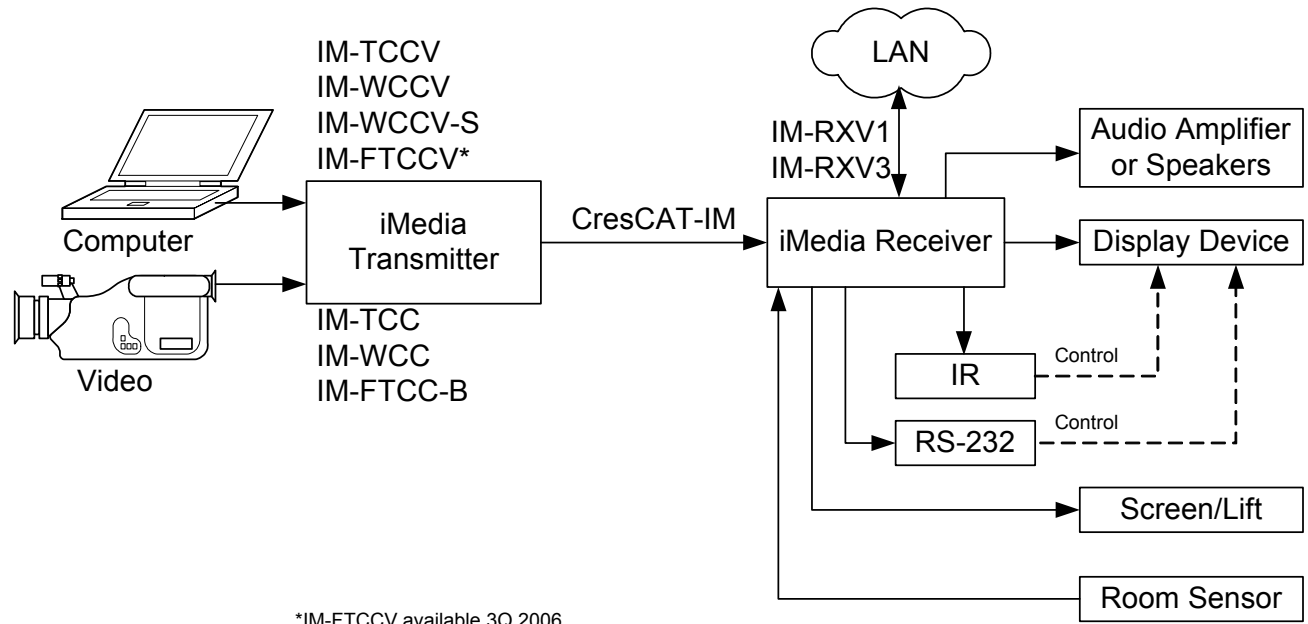
Every iMedia system is easy and intuitive to use. A simple press of the **VIDEO** or **PC** buttons on the control panel selects the appropriate input, turns on the projector (or plasma, etc.), lowers the screen or lift, and routes all the signals where they need to go. The volume control affords easy adjustment of the audio level, and the entire system can be turned off at any time by simply holding down either button for five seconds.

For systems having more than one IM transmitter, selecting an input at a given input location overrides the previously selected input at any other location. The audio level for each input location is controlled individually by its respective volume control.

Application

The IM-WCVP is part of the IM-WCCV-S iMedia transmitter. As shown in the following diagram, iMedia transmitters provide input points for video and PC sources on an iMedia receiver.

iMedia System Diagram



Specifications

Specifications for the IM-WCVP are listed in the following table.

IM-WCVP Specifications

SPECIFICATION	DETAILS
Power Requirements	Power is provided by the iMedia receiver via the IM transport
Environmental Temperature Humidity	41° to 104°F (5° to 40°C) 10% to 90% RH (non-condensing)
Enclosure	Requires 2.5 inch deep single-gang electrical box
Dimensions Height Width Depth	4.50 in (11.43 cm) 2.75 in (6.99 cm) 2.70 in (6.86 cm)
Weight	6.2 oz (176 g)

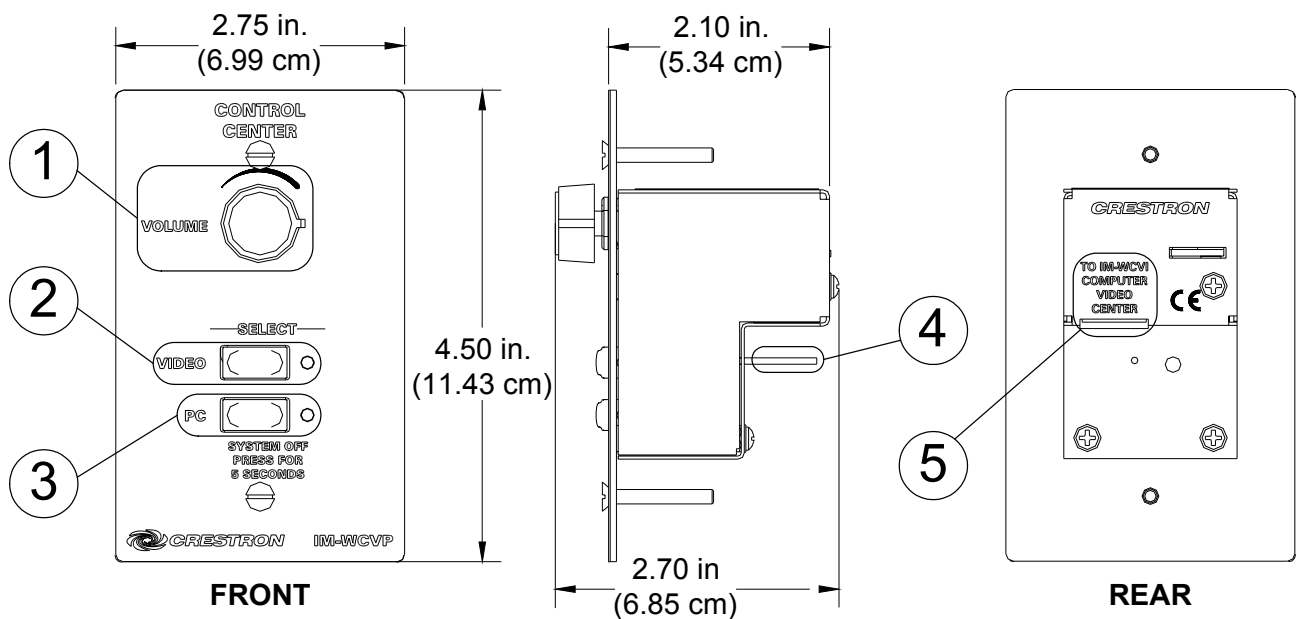
Physical Description

This section provides information on the connections, controls, and indicators available on your IM-WCVP.


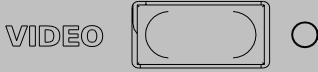

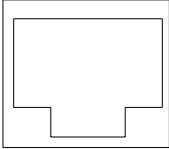
IM-WCVP Physical View



IM-WCVP Overall Dimensions



Connectors, Controls, & Indicators

#	CONNECTORS, CONTROLS, & INDICATORS	DESCRIPTION
1	<p>VOLUME CONTROL KNOB</p> 	Turn clockwise to raise the volume of the selected input; turn counterclockwise to lower the volume of the selected input.
2	<p>VIDEO BUTTON</p> 	Turns on the system and selects the source connected to the VIDEO input of the IM-WCVI.*
3	<p>PC BUTTON</p> 	Turns on the system and selects the source connected to the PC input of the IM-WCVI.*
4	GROUND WIRE	Connect the flying lead to earth ground.
5	<p>TO IM-WCVI TO IM-WCVI COMPUTER VIDEO CENTER</p> 	Female RJ-45 port to connect to IM-WCVI over CresCAT-IM wire or other high-quality CAT5 wire (40 feet maximum).

* Refer to “Operation” on page 10 for more information.

Industry Compliance

As of the date of manufacture, the IM-WCVP has been tested and found to comply with specifications for CE marking and standards per EMC and Radiocommunications Compliance Labelling.



NOTE: This device complies with part 15 of the FCC rules. Operation is subject to the following two conditions: (1) this device may not cause harmful interference, and (2) this device must accept any interference received, including interference that may cause undesired operation.

Setup

Network Wiring

When wiring the network, consider the following:

- Use Crestron Certified Wire.
- Use Crestron power supplies for Crestron equipment.

Installation

The IM-WCVP is designed to mount in a standard 2.5-inch (6.35 cm) deep, single-gang, electrical box.

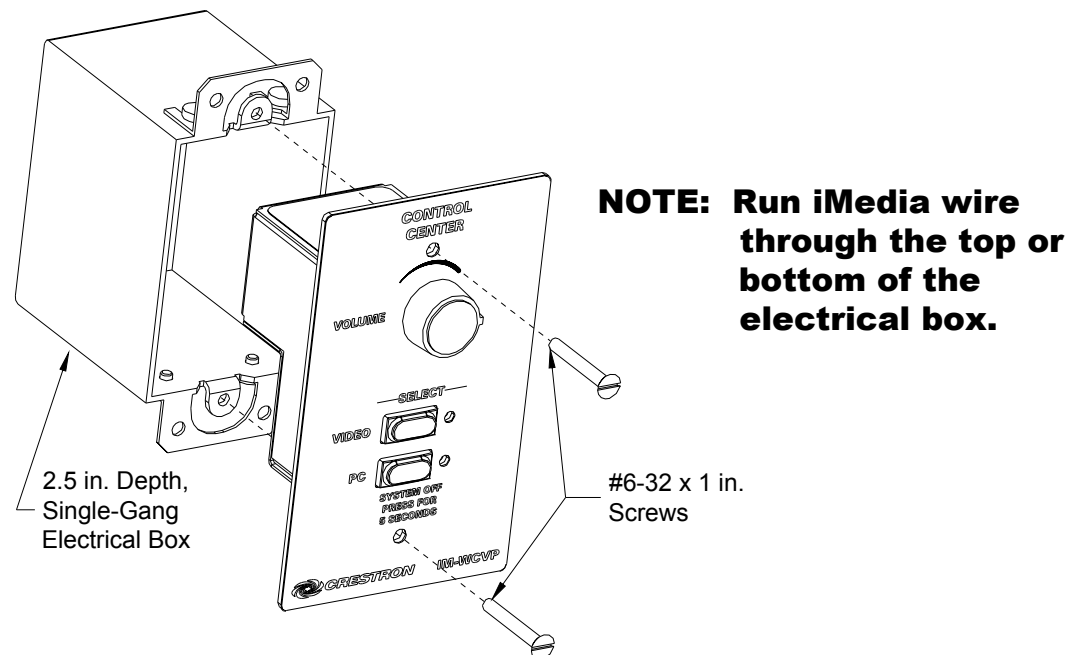
Required Tools:

- Phillips screwdriver

Mounting Parts Supplied with the IM-WCVP

PART DESCRIPTION	QUANTITY
Screw #6-32 x 1 in, Flat Head, Phillips	2

Installation in a Single-Gang Electrical Box



Hardware Hookup

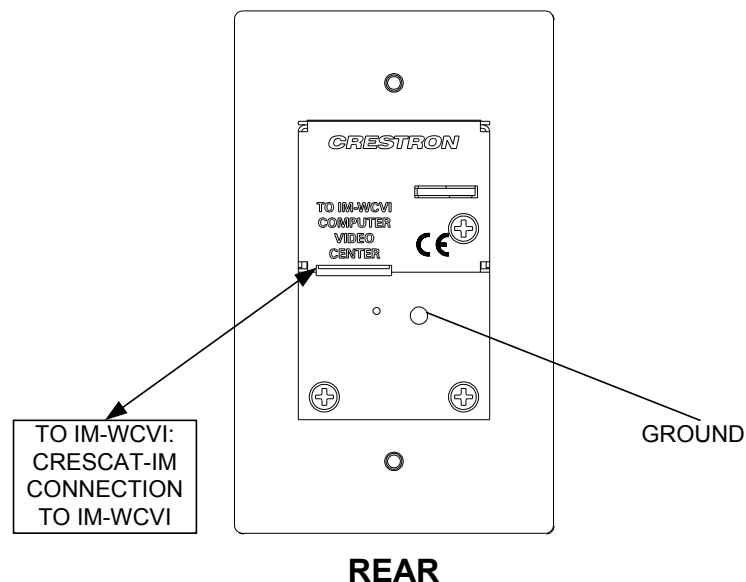
Ventilation

To prevent overheating, do not operate this product in an area that exceeds the environmental temperature range listed in the table of specifications. Consideration must be given if installed in a closed or multi-unit rack assembly since the operating ambient temperature of the rack environment may be greater than the room ambient. Contact with thermal insulating materials should be avoided on all sides of the unit.

Connect the Device

Make the necessary connections as called out in the illustration that follows this paragraph. Turn on the system only after all connections have been made.

Hardware Connections for the IM-WCVP



NOTE: For optimum performance, Crestron strongly recommends using CRESCAT-IM cable, available from Crestron. Other high-quality/low skew CAT5e/CAT6 wiring may also be used with varying performance. The maximum cable length between the IM-WCVP and the IM-WCVI is 40 feet.

System Configuration

Refer to the latest version of the IM-RXV1 & IM-RXV3 guide (Doc. 6478), available from the Crestron website for iMedia system configuration instructions.

Operation

The IM-WCVP can be used to turn a system on or off, select a source, or adjust volume.

Turn on the System

Press the **PC** button to turn on the system with the PC signals routed to the iMedia receiver or press the **VIDEO** button to turn on the system with the video signals routed to the iMedia receiver. The associated LED will light to indicate the selected source.

Select a Source

Press the **PC** button to route PC signals to the iMedia receiver or press the **VIDEO** button to route video signals to the iMedia receiver. The associated LED will light to indicate the selected source.

Adjust Volume

Turn the volume knob clockwise to raise the volume of the selected input; turn counterclockwise to lower the volume of the selected input.

Turn off the System

Press and hold the selected source button for five seconds. The source button LED will flash and then turn off.

Problem Solving

Troubleshooting

The following table provides corrective action for possible trouble situations. If further assistance is required, please contact a Crestron customer service representative.

IM-WCVP Troubleshooting

TROUBLE	POSSIBLE CAUSE(S)	CORRECTIVE ACTION
SOURCE LED does not illuminate.	Not receiving power.	Verify that the iMedia cable is connected to the IM-WCVI and the IM-WCVI is connected to the iMedia receiver.
	Incorrect power supply.	Only use Crestron power supplies.
	Source is not selected.	Push a source button to select a source.
No video output displayed.	Incorrect cable connection.	Verify computer cable connection.
		Verify video cable connection.
		Verify iMedia output cable connection is secure.

(Continued on following page)

IM-WCVP Troubleshooting (Continued)

TROUBLE	POSSIBLE CAUSE(S)	CORRECTIVE ACTION
No audio output.	Incorrect cable connection.	Verify computer audio cable connection.
		Verify video input's audio cable connection.
Video from RGB source is garbled or no output.	Incorrect cable connections.	Verify 15-pin computer cable connection. Verify iMedia output cable connections.
		Verify maximum iMedia cable length. Adjust delay on iMedia receiver.
Button does not function when pressed.	Incorrect cable connection.	Verify that the iMedia output cable connection from the IM-WCVI to the iMedia receiver is secure.
Other functions operate, but does not control the projector.	Incorrect connections to projector.	Verify cable wiring and connections between receiver and projector.

Reference Documents

The latest version of all documents mentioned within the guide can be obtained from the Crestron website (<http://www.crestron.com/manuals>). This link will provide a list of product manuals arranged in alphabetical order by model number.

List of Related Reference

DOCUMENT TITLE
IM-RXV1 & IM-RXV3 iMedia Receiver/Processor with Video
IM-WCVI iMedia Wall Plate Computer Center Interface with Video

Further Inquiries

If you cannot locate specific information or have questions after reviewing this guide, please take advantage of Crestron's award winning customer service team by calling the Crestron corporate headquarters at 1-888-CRESTRON [1-888-273-7876]. For assistance in your local time zone, refer to the Crestron website (<http://www.crestron.com/>) for a listing of Crestron worldwide offices.

You can also log onto the online help section of the Crestron website to ask questions about Crestron products. First-time users will need to establish a user account to fully benefit from all available features.

Future Updates

As Crestron improves functions, adds new features, and extends the capabilities of the IM-WCVP, additional information may be made available as manual updates. These updates are solely electronic and serve as intermediary supplements prior to the release of a complete technical documentation revision.

Check the Crestron website periodically for manual update availability and its relevance. Updates are identified as an “Addendum” in the Download column.

Return and Warranty Policies

Merchandise Returns / Repair Service

1. No merchandise may be returned for credit, exchange, or service without prior authorization from CRESTRON. To obtain warranty service for CRESTRON products, contact an authorized CRESTRON dealer. Only authorized CRESTRON dealers may contact the factory and request an RMA (Return Merchandise Authorization) number. Enclose a note specifying the nature of the problem, name and phone number of contact person, RMA number, and return address.
2. Products may be returned for credit, exchange, or service with a CRESTRON Return Merchandise Authorization (RMA) number. Authorized returns must be shipped freight prepaid to CRESTRON, 6 Volvo Drive, Rockleigh, N.J. or its authorized subsidiaries, with RMA number clearly marked on the outside of all cartons. Shipments arriving freight collect or without an RMA number shall be subject to refusal. CRESTRON reserves the right in its sole and absolute discretion to charge a 15% restocking fee, plus shipping costs, on any products returned with an RMA.
3. Return freight charges following repair of items under warranty shall be paid by CRESTRON, shipping by standard ground carrier. In the event repairs are found to be non-warranty, return freight costs shall be paid by the purchaser.

CRESTRON Limited Warranty

CRESTRON ELECTRONICS, Inc. warrants its products to be free from manufacturing defects in materials and workmanship under normal use for a period of three (3) years from the date of purchase from CRESTRON, with the following exceptions: disk drives and any other moving or rotating mechanical parts, pan/tilt heads and power supplies are covered for a period of one (1) year; touchscreen display and overlay components are covered for 90 days; batteries and incandescent lamps are not covered.

This warranty extends to products purchased directly from CRESTRON or an authorized CRESTRON dealer. Purchasers should inquire of the dealer regarding the nature and extent of the dealer's warranty, if any.

CRESTRON shall not be liable to honor the terms of this warranty if the product has been used in any application other than that for which it was intended, or if it has been subjected to misuse, accidental damage, modification, or improper installation procedures. Furthermore, this warranty does not cover any product that has had the serial number altered, defaced, or removed.

This warranty shall be the sole and exclusive remedy to the original purchaser. In no event shall CRESTRON be liable for incidental or consequential damages of any kind (property or economic damages inclusive) arising from the sale or use of this equipment. CRESTRON is not liable for any claim made by a third party or made by the purchaser for a third party.

CRESTRON shall, at its option, repair or replace any product found defective, without charge for parts or labor. Repaired or replaced equipment and parts supplied under this warranty shall be covered only by the unexpired portion of the warranty.

Except as expressly set forth in this warranty, CRESTRON makes no other warranties, expressed or implied, nor authorizes any other party to offer any warranty, including any implied warranties of merchantability or fitness for a particular purpose. Any implied warranties that may be imposed by law are limited to the terms of this limited warranty. This warranty statement supersedes all previous warranties.

Trademark Information

All brand names, product names, and trademarks are the sole property of their respective owners. Windows is a registered trademark of Microsoft Corporation. Windows95/98/Me/XP and WindowsNT/2000 are trademarks of Microsoft Corporation.

This page is intentionally left blank.



Crestron Electronics, Inc.
15 Volvo Drive Rockleigh, NJ 07647
Tel: 888.CRESTRON
Fax: 201.767.7576
www.crestron.com

**Operations & Installation Guide – DOC. 6489
(2015097)**

05.06

Specifications subject to
change without notice.