

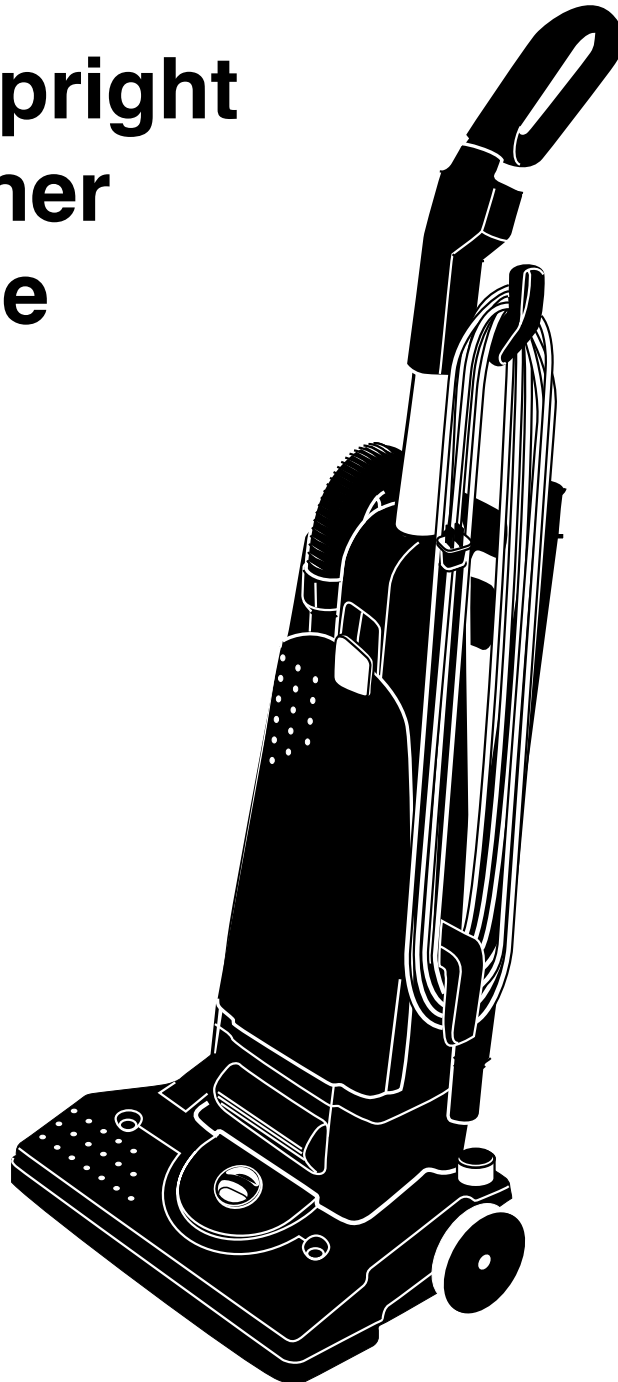
EUREKA

HEAVY DUTY

Heavy Duty Upright Vacuum Cleaner Owner's Guide HD4570 Series

Index

Important Safeguards	2
Service Information	4
Assembly	5-6
Use	7
Thermal Cut Off	4 & 7
Accessories	8
Brush Roll	9
Brush Roll Belt	9-10
Dust Bag	10-11
Hose Blockage	12-13
Filters	14
HEPA Filter	14
Light Bulb	15
Problem Solving	16
Warranty	17
Repair Parts List	18-27



IMPORTANT SAFEGUARDS

When using an electrical appliance, basic precautions should always be followed, including the following:

READ ALL INSTRUCTIONS BEFORE USING THIS VACUUM CLEANER.

WARNING

To reduce the risk of fire, electric shock, or injury:

- Do not use outdoors or on wet surfaces.
- This appliance is provided with double insulation. Use only identical replacement parts. See instructions for Servicing of Double-Insulated Appliances.
- **Do not leave vacuum cleaner when plugged in.** Turn off the switch and unplug the electrical cord when not in use and before servicing.
- Do not allow to be used as a toy. Close attention is necessary when used by or near children.
- Use only as described in this manual. Use only manufacturer's recommended attachments.
- Do not use with damaged cord or plug. If vacuum cleaner is not working as it should, has been dropped, damaged, left outdoors, or dropped into water, return it to a service center before using.
- Do not pull or carry by cord, use cord as a handle, close a door on cord, or pull cord around sharp edges or corners. Do not run vacuum cleaner over cord. Keep cord away from heated surfaces.
- Do not use extension cords or outlets with inadequate current carrying capacity.
- Turn off all controls before unplugging.
- Do not unplug by pulling on cord. To unplug, grasp the plug, not the cord.
- Do not handle plug or vacuum cleaner with wet hands.
- Do not put any object into openings. Do not use with any opening blocked; keep free of dust, lint, hair, and anything that may reduce airflow.
- This vacuum cleaner creates suction and contains a revolving brush roll. Keep hair, loose clothing, fingers, and all parts of body away from openings and moving parts.
- Do not place cleaner on furniture or stairs as the brush roll may cause damage. Place cleaner on floor with the handle in storage position while using attachments.
- Do not pick up anything that is burning or smoking, such as cigarettes, matches, or hot ashes.
- Do not use without dust bag in place.
- Belt pulleys can become hot during normal use. To prevent burns, avoid touching the belt pulley when servicing the drive belt.
- Use extra care when cleaning on stairs.
- Do not use to pick up flammable or combustible liquids such as gasoline, or use in areas where they may be present.
- Store your cleaner indoors in a cool, dry area.
- Keep your work area well lighted.
- Unplug electrical appliances before vacuuming them.

SAVE THESE INSTRUCTIONS

CONSEILS DE SÉCURITÉ

Lors de l'utilisation d'un appareil électrique, quelques précautions élémentaires doivent être observées, incluant les suivantes:

LISEZ TOUTES LES INSTRUCTIONS AVANT D'UTILISER VOTRE ASPIRATEUR.

AVERTISSEMENT

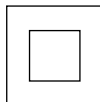
Pour réduire le risque de feu, de choc électrique, ou de blessure:

- Ne pas utiliser à l'extérieur ou sur des surfaces mouillées.
- Cet appareil est muni d'un double-isolement. Utilisez uniquement des pièces de rechange identiques. Voir les instructions pour l'entretien d'appareils à double-isolement.
- **Fermez le commutateur et débranchez l'appareil lorsque vous ne l'utilisez pas ou avant le nettoyage ou l'entretien.**
- Ne permettez pas qu'il soit utilisé comme jouet. Une attention particulière est nécessaire lorsque utilisé par ou près d'un enfant.
- Suivez les recommandations d'utilisation de ce manuel. Utilisez uniquement les accessoires recommandés par le fabricant.
- Ne pas utiliser si le cordon ou la fiche sont endommagés. Si l'aspirateur ne fonctionne pas comme il le devrait, s'il a été échappé, s'il est endommagé, s'il a été laissé à l'extérieur ou échappé dans l'eau, retournez-le à un centre de service avant d'utiliser.
- Ne pas le tirer ou le transporter par le cordon, ne pas utiliser le cordon en guise de poignée. Ne pas fermer une porte sur le cordon ou tirer le cordon sur des coins ou bordures pointus. Ne pas circuler sur le cordon avec l'aspirateur. Tenir le cordon à distance des surfaces chauffantes.
- Ne pas utiliser des rallonges ou des prises qui n'ont pas de capacité suffisante pour transporter le courant.
- Fermer tous les contrôles avant de débrancher.
- Ne pas débrancher en tirant sur le cordon. Pour débrancher, tenez la fiche et non le cordon.
- Ne pas manipuler la fiche ou l'aspirateur avec les mains mouillées.
- Ne pas rien insérer dans les ouvertures. Ne pas utiliser si des ouvertures sont bloquées; assurez-vous qu'elles soient dégagées de poussière, mousse, cheveux ou toute autre chose qui pourrait réduire le passage de l'air.
- Cet aspirateur crée de la succion et contient un rouleau-brosse tournant. Tenir les parties mobiles et les ouvertures loin des cheveux, du linge, des doigts et de toute partie du corps.
- Ne pas mettre l'aspirateur sur les meubles ou sur les escaliers car le rouleau-brosse peut faire des dommages. Placer l'aspirateur sur le plancher avec le manche en entreposage position temps que les accessoires sont en usage.
- Ne pas ramasser des objets qui brûlent ou fument comme les cigarettes, allumettes ou cendres chaudes.
- N'utilisez pas sans le sac de poussière en place.
- Les poulies du courroie peuvent devenir chaudes pendant l'utilisation normale. Pour prévenir des brûlures, évitez de touché la poulie du courroie lorsque vous réparez la courroie.
- Portez une attention particulière lorsque vous nettoyez les escaliers.
- Ne pas utiliser pour ramasser des liquides inflammables ou combustibles comme de l'essence: Ne pas utiliser dans les endroits où ces liquides pourraient être présents.
- Entrez votre aspirateur à l'intérieur dans un endroit propre et sec.
- Maintenez un bon éclairage à l'endroit où vous travaillez.
- Débrancher les appareils électrique avant de les balayer.

CONSERVEZ CES INSTRUCTIONS

SERVICING OF DOUBLE-INSULATED APPLIANCES

A double-insulated appliance is marked with one or more of the following: The words “DOUBLE INSULATION” or “DOUBLE INSULATED” or the double insulation symbol (square within a square).



In a double-insulated appliance, two systems of insulation are provided instead of grounding. No grounding means is provided on a double-insulated appliance, nor should a means for grounding be added to the appliance. Servicing a double-insulated appliance requires extreme care and knowledge of the system, and should be done only by qualified service personnel. Replacement parts for a double-insulated appliance must be identical to the parts they replace.

To reduce the risk of electric shock, this appliance has a polarized plug (one blade wider than the other). This plug will fit in a polarized outlet only one way. If the plug does not fit fully in the outlet, reverse the plug. If it still does not fit, contact a qualified electrician to install the proper outlet. Do not change the plug in any way.

Afin de réduire le risque de choc électrique, cet appareil est muni d'une fiche polarisée (une des lames est plus large). Cette fiche ne peut être insérée dans une prise polarisée que d'une seule façon. Si la fiche ne peut être insérée dans la prise, retourner la fiche. Si la fiche ne peut toujours pas être insérée dans la prise, faire installer une prise adéquate par un électricien qualifié. Ne pas modifier la fiche.

GENERAL INFORMATION

The cleaner is designed to pick up dirt and dust particles. Avoid picking up hard or sharp objects with the cleaner to prevent bag tears, hose clogs, and possible motor damage.

Service Information

The instructions in this booklet serve as a guide to routine maintenance. For additional service information telephone our toll free number for the nearest Eureka Authorized Warranty Station. **You should know the model, type and serial numbers when you call:**

USA: 1-800-282-2886
Mexico: 5670-6169
Canada: 1-800-282-2886

If you prefer, you can write to Electrolux Home Care Products North America, Service Division, 807 North Main Street, Bloomington, Illinois 61701, USA. In Canada write to Electrolux Home Care Products Canada, 866 Langs Drive, Cambridge, Ontario N3H 2N7. Refer to The Eureka Limited Warranty for complete service information.



DO NOT OIL the motor or the brush roll at any time. The bearings are permanently lubricated and sealed.

Rating Plate

The model, type, and serial numbers are indicated on the rating plate located on the back of the cleaner. For prompt and complete service information, always refer to these numbers when inquiring about service.

Model & Type _____

Serial No. _____

MODEL	TYPE	SERIAL NO.
VOLTS	AMPS.	HERTZ
SERVICE INFORMATION: 1-800-282-2886		
	ELECTROLUX HOME CARE PRODUCTS BLOOMINGTON, ILLINOIS 61701	

Thermal Cut Off

This vacuum cleaner has a special thermostat that protects the cleaner in case of motor overheating. If the cleaner suddenly shuts off, push power switch off and unplug the cleaner. Check the cleaner for a possible source of overheating such as a full bag, a blocked hose or clogged filter. If these conditions are found, fix them and wait at least 30 minutes before attempting to use the cleaner. After the 30 minute period, plug the cleaner back in and turn on the switch. If the cleaner still does not run, then take it to a Eureka Authorized Service Center for repair.

HOW TO ASSEMBLE



CAUTION: Moving parts, make sure on/off switch is in off position before plugging in.



CAUTION: Assemble the cleaner before using.

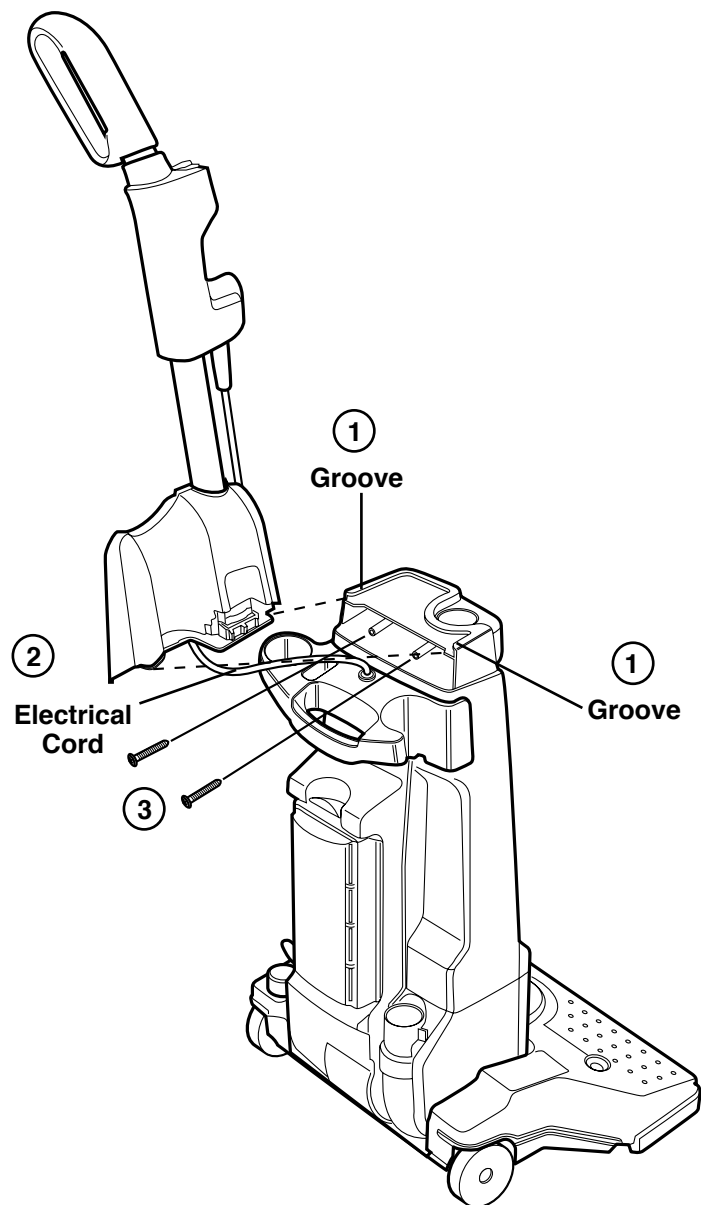


NOTE: Features may vary by model yet all parts assemble the same.

Step A Attach Handle

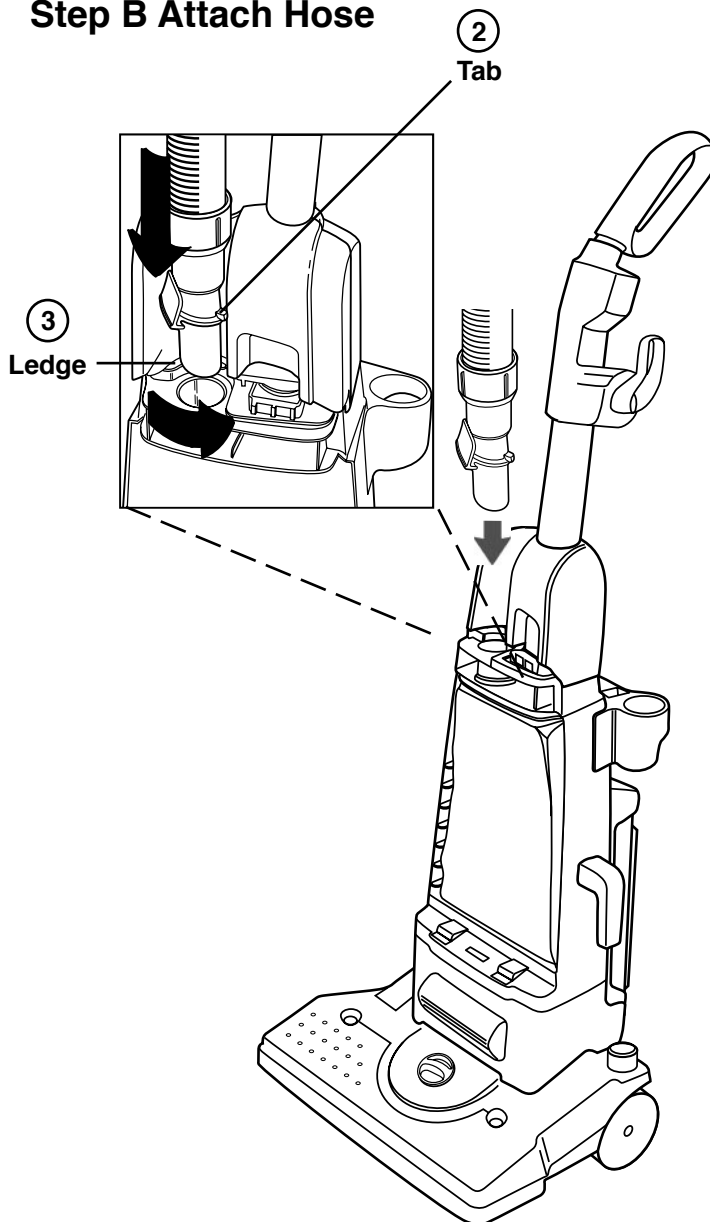


CAUTION: Do not catch cord under handle.



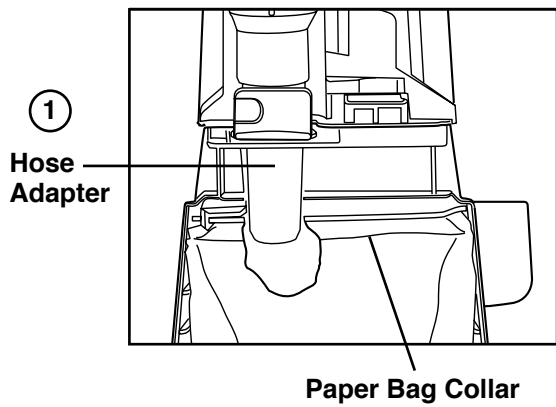
1. From rear of cleaner, align handle with groove and slide onto cleaner. If necessary, use thumb and finger pressure to slide handle into position.
2. Once handle is in place, check that the electrical cord is not pinched between the unit and the handle. Push excess cord back into the hole provided in the back of the handle.
3. Attach handle with two 5/8 inch screws in the assembly packet. Use a Phillips® head screwdriver.

Step B Attach Hose

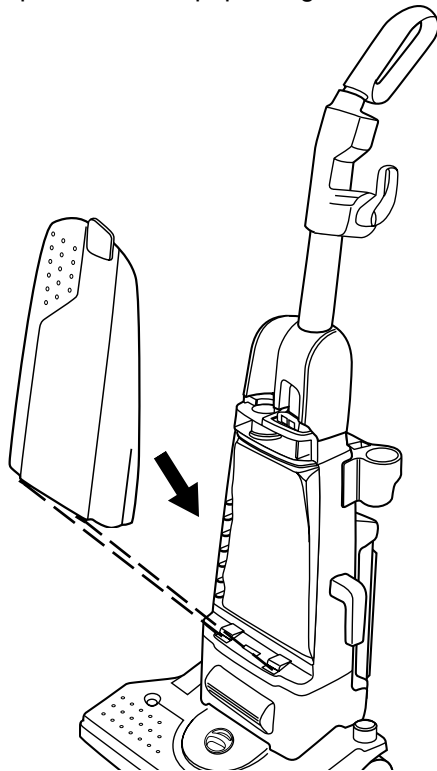


1. Before placing the front cover on the unit, install the hose.
2. Locate the tab on the hose adapter (shortest end).
3. Look at the opening on the top of the cleaner and locate the ledge. The tab on the hose adapter will be under the ledge in the opening when hose is installed properly.
4. Push hose adapter into opening and rotate until tab is under ledge. If installed properly, the hose cannot be lifted out of the hose opening.

Step C Check Disposable Dust Bag

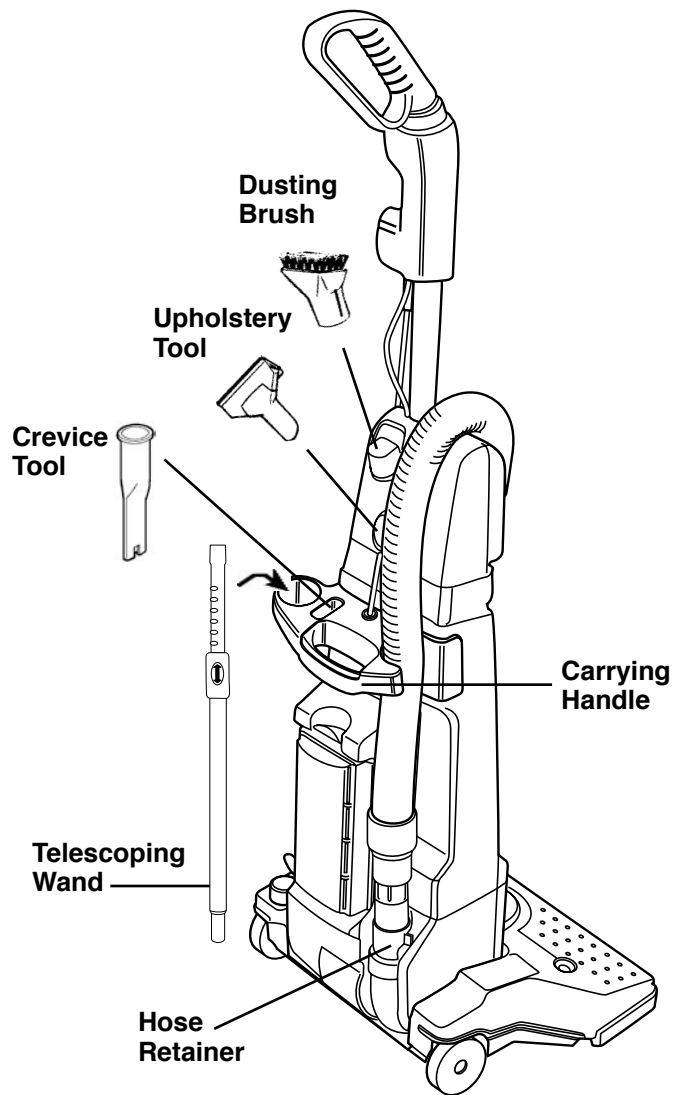


1. Check to be sure the paper bag collar is secure with the hose adapter inside the paper bag collar.



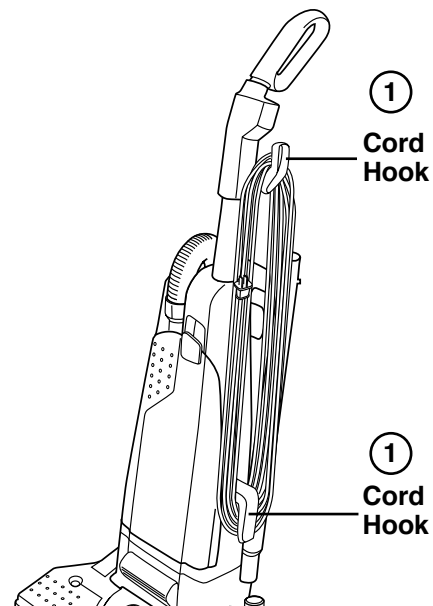
2. Replace front bag cover. Place the tabs on the bag cover in the slots at the bottom of the bag compartment. Using both hands, one on each side, press the bag cover firmly back against unit until latch clicks shut.

Step D Store Hose and Accessories



Step E Store Electrical Cord

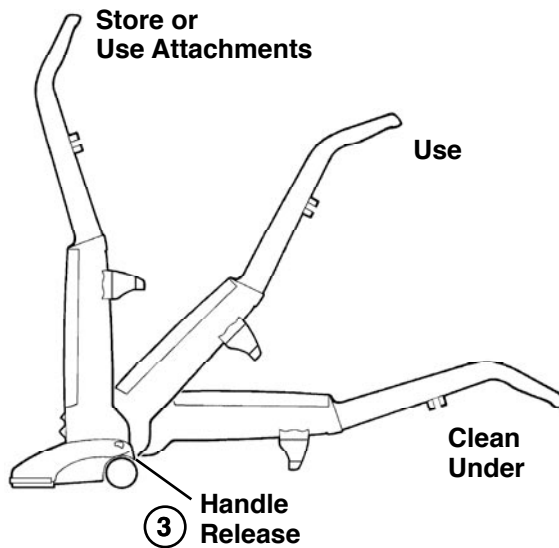
1. Wind the cord around the two cord hooks on the left side of cleaner. On some models the upper cord hook turns to release the cord. Turn the hook up to store the cord.
2. Secure the plug to the cord to prevent unwinding.



HOW TO USE

The upright vacuum cleaner design allows use on multiple types of carpeting and on upholstery or bare floors with attachments. **When using the attachment tools, place the handle in the upright position. Do not place cleaner on furniture or steps as the brush roll may cause damage.**

1. Adjust cleaner height setting knob to lowest position for maximum cleaning. Adjust to a higher setting to make pushing easier. For easy adjustments, tilt the cleaner back to move the knob.
2. Plug electrical cord into outlet.
3. Step on handle release. Pull handle back to a comfortable position.
4. Push On (-) or Off (0) power switch.

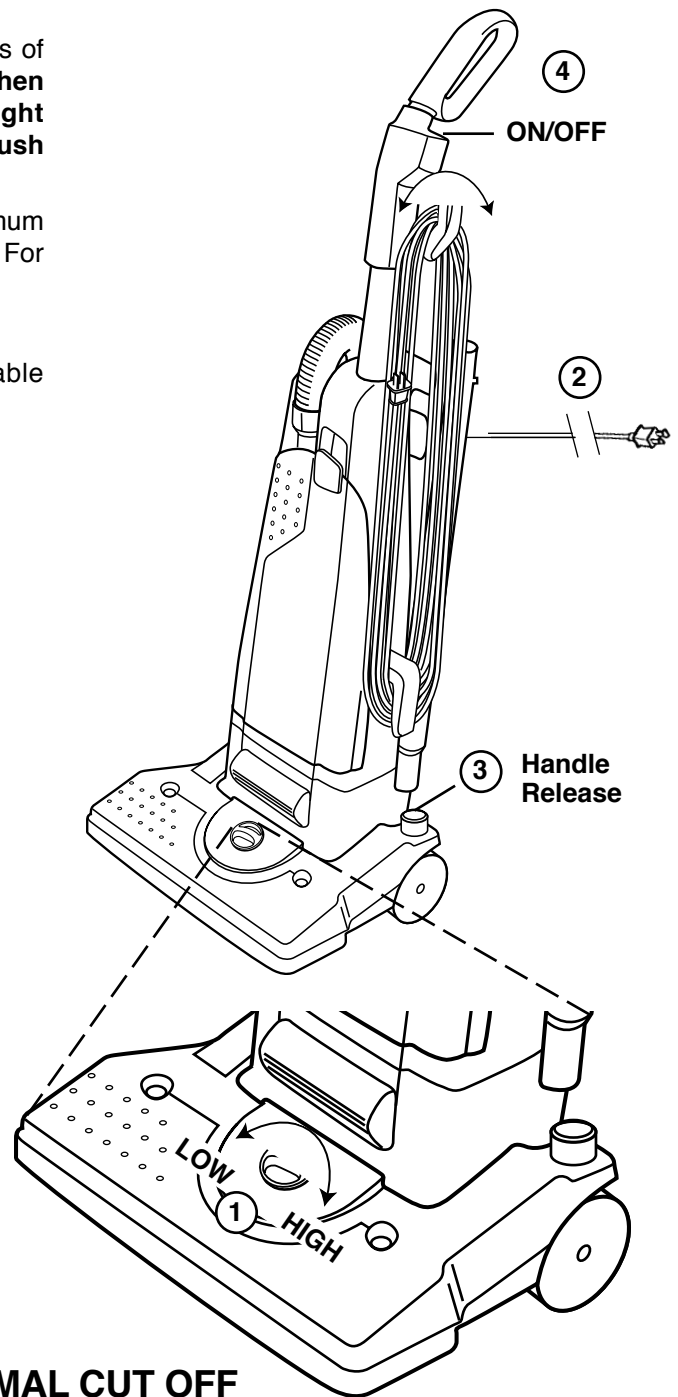


Cleaner Height Setting

WARNING: Avoid injury. Keep loose clothing, hair, fingers, and all other parts of body away from any moving part (such as the revolving brush). Turn off the switch and unplug the cleaner before changing the cleaner height setting.

The front of the cleaner has an adjustment that raises or lowers the cleaner base to match the type of carpet. With the cleaner cord unplugged, set the adjustment to lowest setting for maximum cleaning. If the cleaner is difficult to push, move adjustment to next highest setting until cleaner is comfortable to push. The brush roll must reach the carpet for effective cleaning.

Make each adjustment with cleaner switch off and cord disconnected from outlet. For ease in moving the adjustment knob, place handle in operating position and tilt cleaner back to remove weight from front wheels.



THERMAL CUT OFF

This cleaner has a special thermostat that protects the cleaner in case of motor overheating. If the cleaner suddenly turns off, follow this procedure:

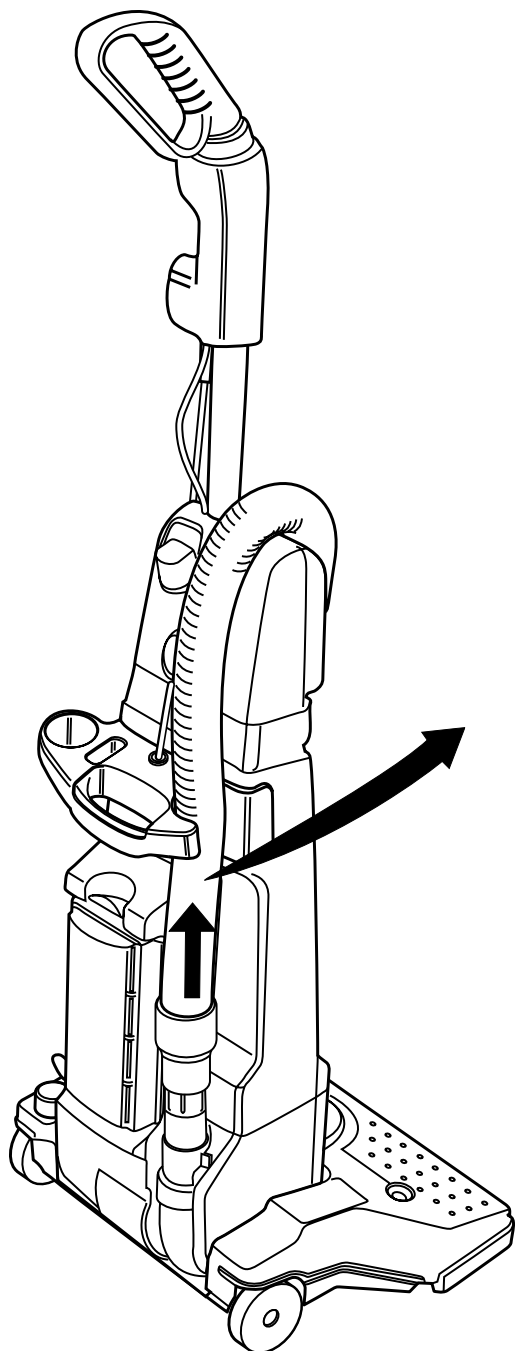
1. Push power switch off.
2. Unplug cleaner.
3. Check for source of overheating problem (i.e. full bag, clogged hose or clogged filter).
4. If a full bag, clogged hose or clogged filter is found, replace the bag, unclog the hose or replace the filters.
5. Wait at least 30 minutes before attempting to reuse the cleaner.
6. After 30 minute cool down period, plug the cleaner in and push the power switch on. The cleaner should turn on.
7. If the cleaner still does not operate, take it to any Eureka Authorized Service Center for repair.

How To Use Accessories

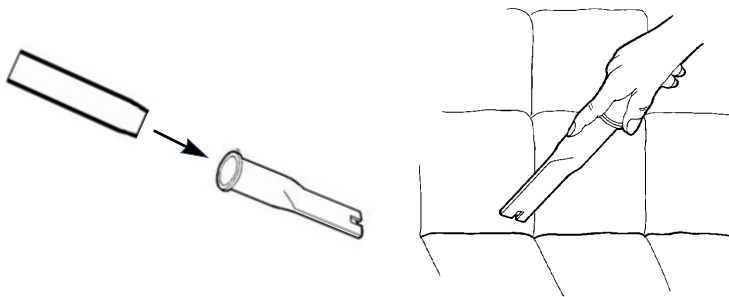


NOTE: Do not place cleaner on furniture or steps as the brush roll may cause damage. Place cleaner on floor with the handle in storage position while using accessories.

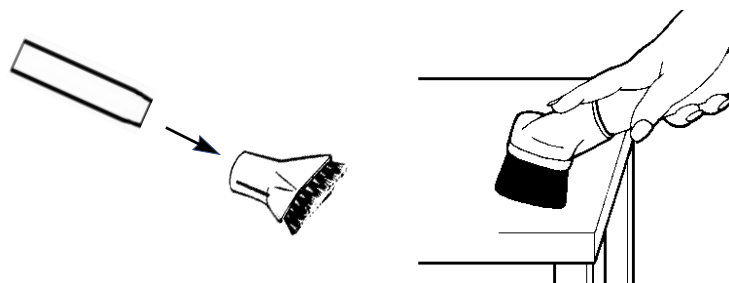
1. Remove hose from rear of cleaner.
2. Place desired accessory onto end of hose or wand.



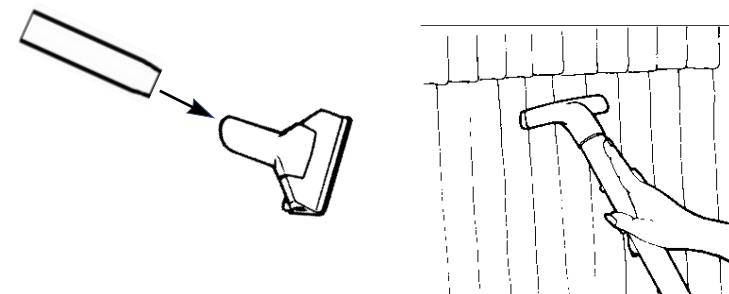
Crevice Tool cleans corners, baseboards, between cushions, sliding door tracks.



Dusting Brush is for furniture, blinds, books, lamp shades, shelves.



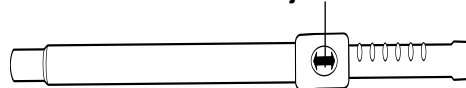
Upholstery Nozzle is for curtains, draperies, cushions, fabrics.



Telescoping Wand

To adjust the length of the telescoping wand, hold the wand adjustment collar in one hand while pulling or pushing the wand with the other hand until you have the desired length.

Wand Adjustment Collar



HOW TO MAINTAIN

The instructions in this booklet serve as a guide to routine maintenance. To avoid unnecessary service calls, check the bag, belt, and brush roll often.

Brush Roll

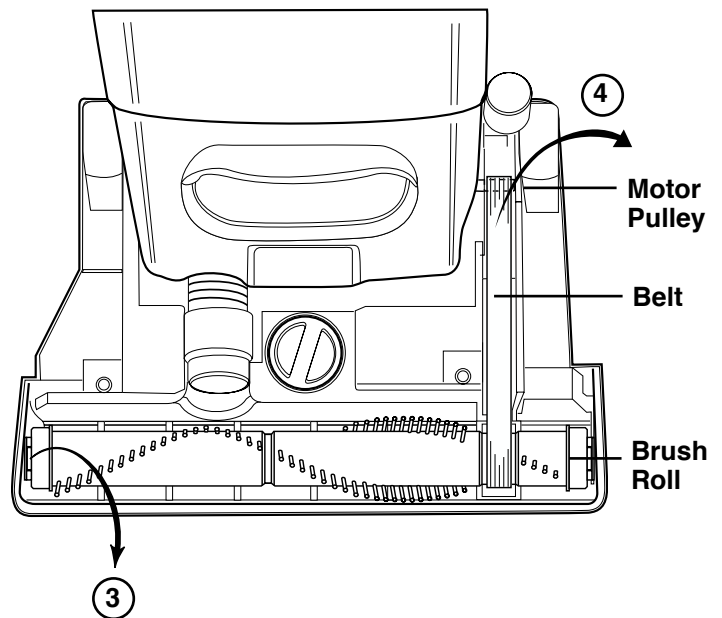
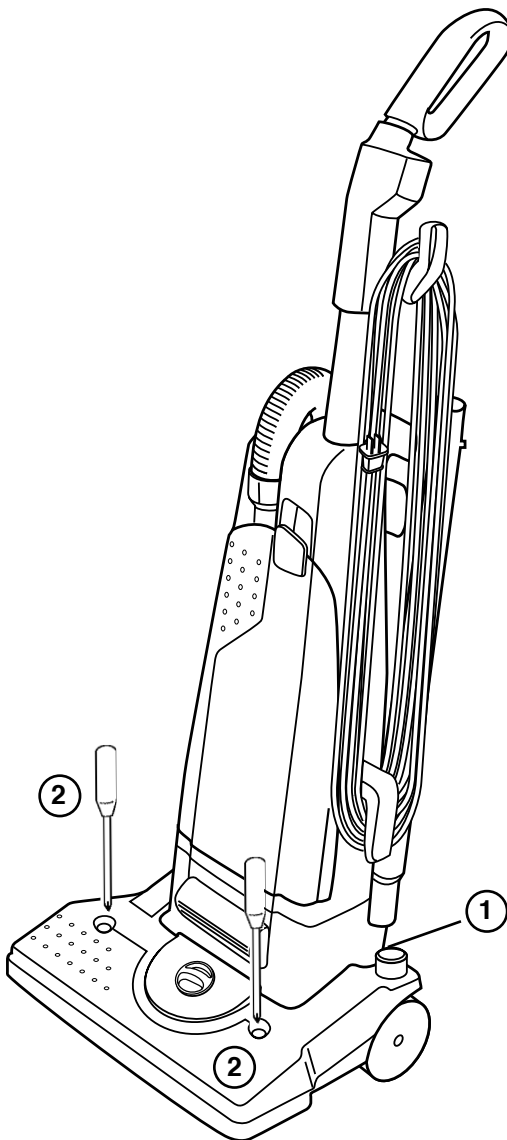
The brush roll turns as it sweeps and combs the carpet nap. Remove hair and threads from the brush roll so it continues brushing the carpet. To maintain the most efficient cleaning, the bristles must touch the carpet. To test the bristle length, hold a ruler against the underneath side of the cleaner. If the bristles no longer touch the ruler, replace the brush roll.

Brush Roll Belt

The brush roll belt turns the brush roll to agitate, sweep, and comb the carpet nap. Check the belt regularly to be sure it is in good condition. Replace the belt if it stretches, cracks or loses tension. Cut away any hair or threads wound around the brush roll or the belt pulley because the buildup could cause the belt to rotate unevenly.

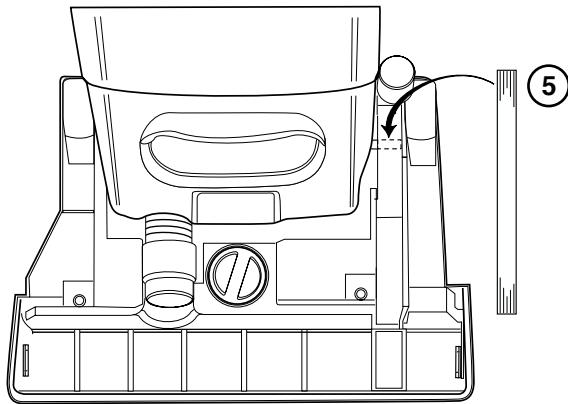
How To Replace Brush Roll Belt

 **NOTE:** Turn off the switch and unplug the electrical cord before replacing belt. Belt pulleys can become hot during normal use. To prevent injury, avoid touching the motor pulley when checking the belt.

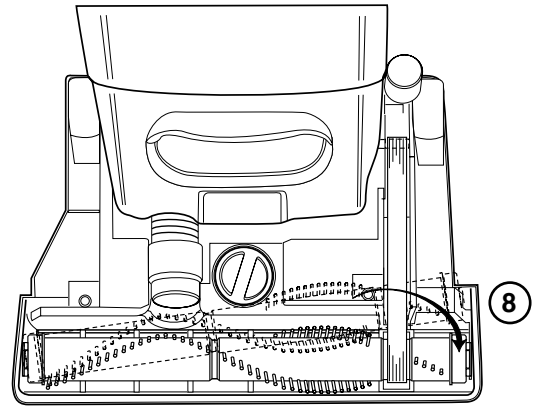


1. Lower handle to floor to change belt.
2. Loosen the two fasteners located on the top of the hood and lift upward. These fasteners need only a quarter turn to lock or unlock the hood.

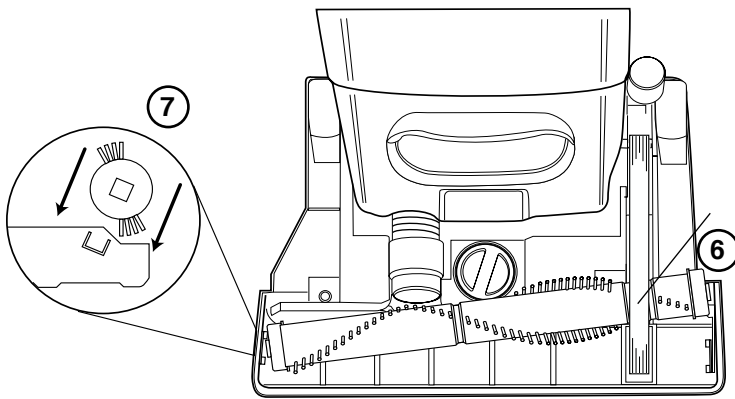
3. Lift left end of brush roll.
4. Remove and discard belt.



5. Place new belt around motor pulley.

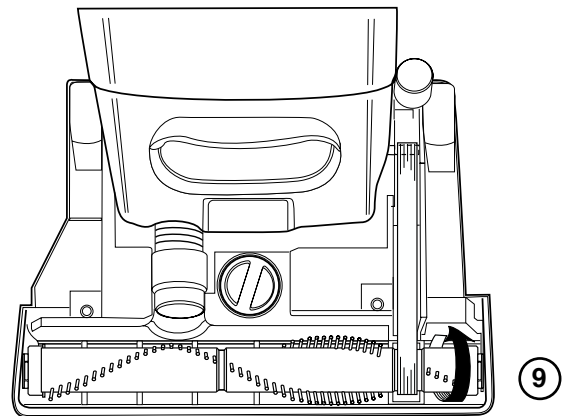


8. Pull right side of brush roll to stretch belt. Secure right end cap into base.



Left Side View

- 6. Place belt around brush roll.
- 7. Align left end cap with square in base. Push end cap into place; see left side view.



- 9. Rotate brush roll to seat belt.
- 10. Replace the hood. Make sure hood front is behind furniture guard. Hood should seat onto self-locating fastener tabs.
- 11. Turn fasteners 1/4 turn to lock.

Disposable Dust Bag and Filters

The disposable dust bag plays a very important role in the efficiency of a vacuum cleaner. The purpose of the paper bag is to trap dirt. As the bag traps dirt, it must also be porous enough to allow air to pass on through. If the paper bag becomes clogged, no air can pass through the cleaner and no cleaning can take place regardless of how powerful the unit. Change the dust bag and check the filters frequently. Some fine particles can restrict airflow very quickly and will decrease performance even before the bag appears to be full.

When vacuuming carpet fresheners or cleaners, powder, plaster dust, or similar fine substances, the bag and filters may require more frequent maintenance.

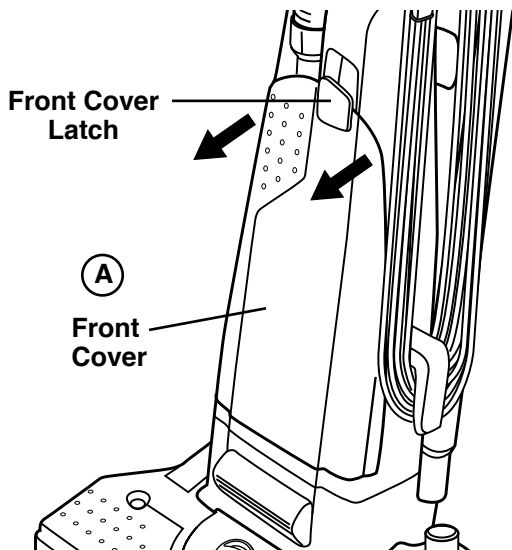
Use **GENUINE EUREKA** replacement belt, 54312.

Look for the **GENUINE EUREKA PRODUCT** product symbol.

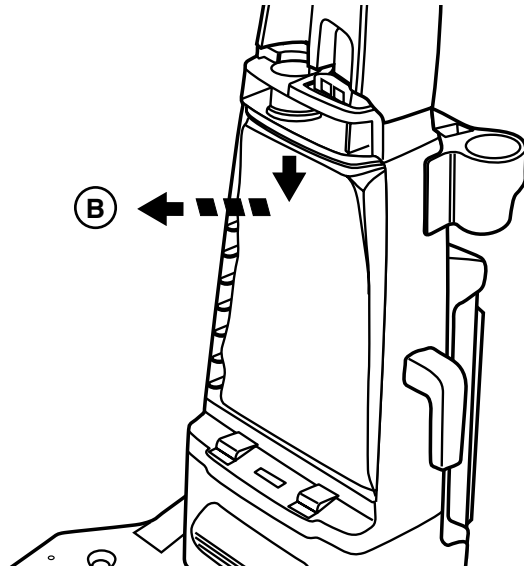
How To Replace Bags–Style AA

 **NOTE:** Turn off the switch and unplug the electrical cord before changing dust bag. Never operate the vacuum cleaner without the dust bag or the filter.

To Remove Bag:



A. Remove front cover by pulling out on the front cover latch and lifting the front cover upward and out.



B. Remove left side of bag collar from bag collar retainer. Grasp bag collar; pull down slightly and out to remove bag.

To Replace New Bag:

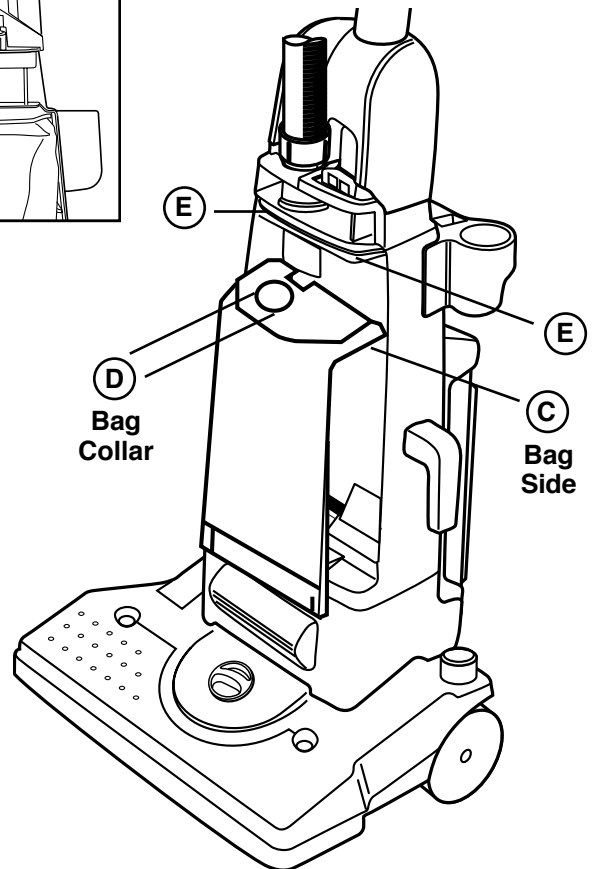
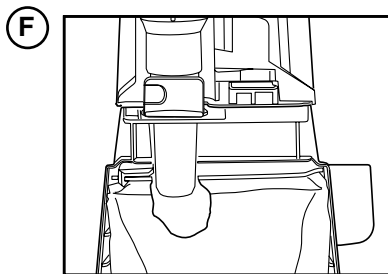
C. Fold sides on new paper bag below bag collar.

D. Align bag collar hole and notch with hose tube.

E. Place rear of bag collar on edges. Push back and rotate upward until firmly in place. Make sure collar snaps into position and hose tube is securely inserted into bag collar hole.

F. Tuck bag into bottom and along sides.

G. Align front cover tabs and close cover. Make sure paper bag is not caught under the front cover.



We recommend using only **Genuine Eureka Standard AA Bags**, part number 58236.

How to Check and Clear Hose Blockages

Low suction or poor pickup may be due to a blockage in the vacuum cleaner.

1. Remove hose and check suction at end of hose - if little or no suction, check disposable dust bag. Change if needed. If no improvement proceed to Step 2.



NOTE: Turn off the switch and unplug the electrical cord before clearing hose.

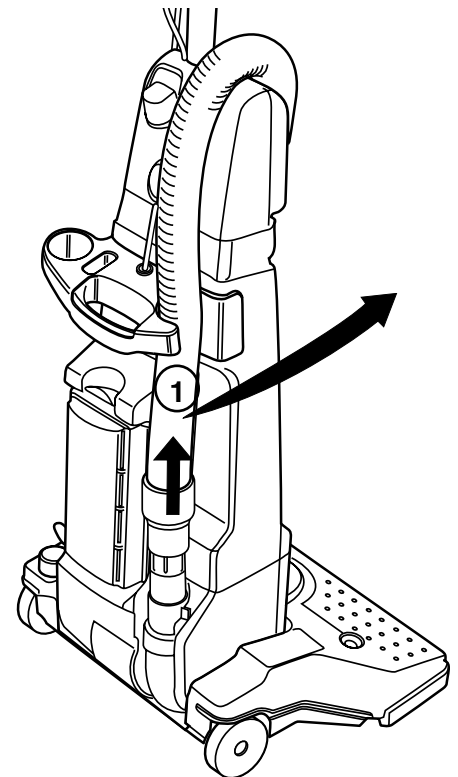
2. Remove the front bag cover. To remove hose adapter from opening, twist hose adapter clockwise and lift upward.

Once the hose is removed from the cleaner check for any obstructions that may be in the hose. Any obstructions can be removed by using a blunt instrument to clear the hose. Flexing the hose may help loosen the clog.

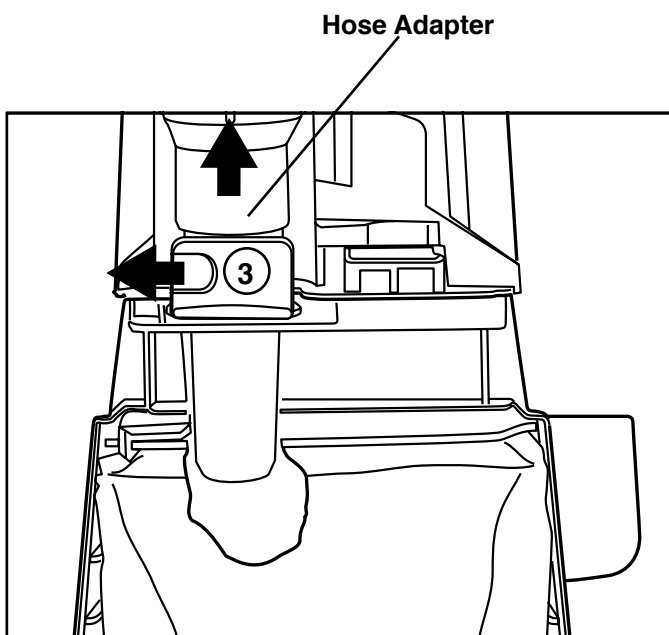
3. Reinstall the hose after clearing the clog. Make sure the hose is inserted into the top of the vacuum cleaner.



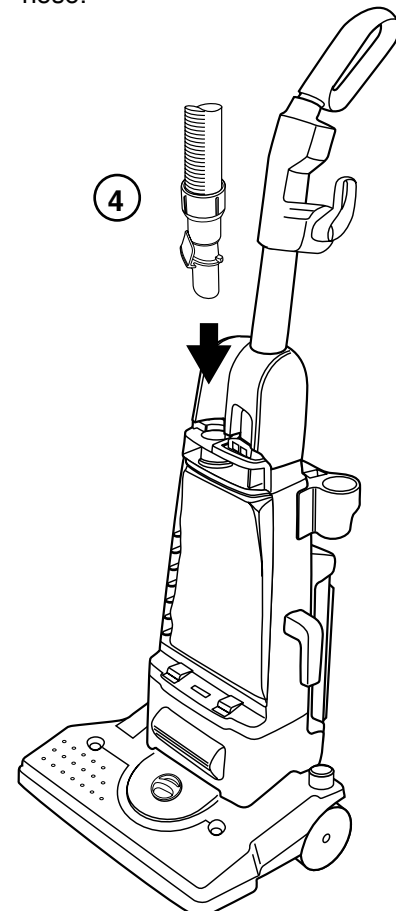
NOTE: If no improvement in performance on carpet, proceed to following page.



1. Remove hose and check suction at end of hose.

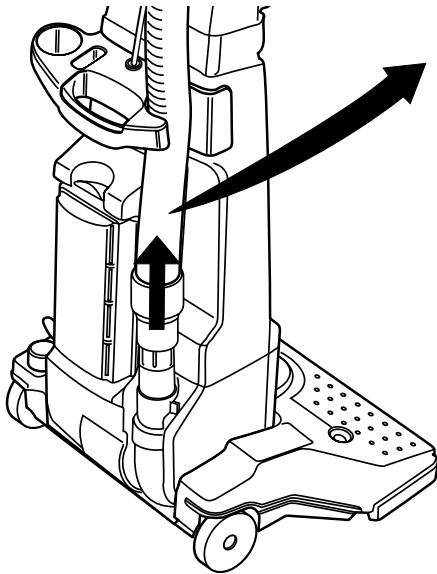


2. Remove front bag cover.
3. Remove hose adapter by twisting clockwise and lifting upward. Check hose for blockages.

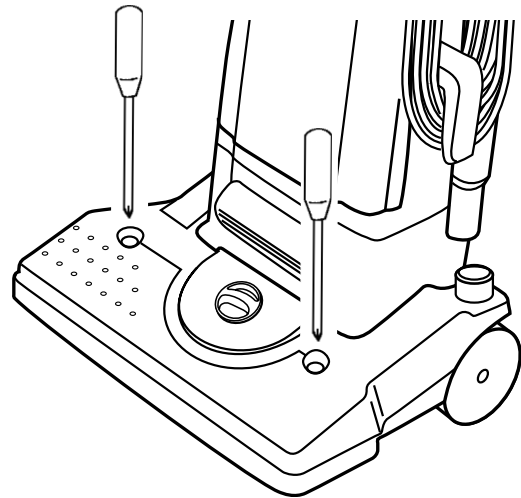


4. Reinstall the hose and replace front bag cover.

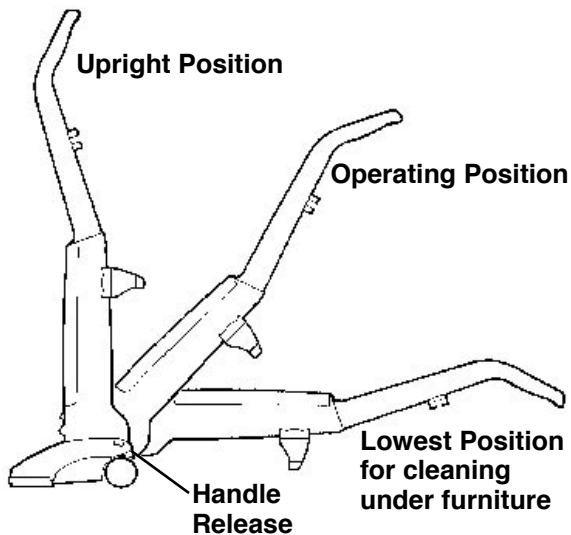
How to Check and Clear Blockages in Base



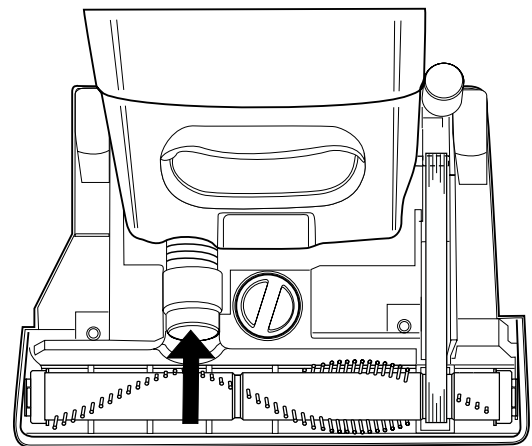
1. Remove the attachment hose from the lower hose retainer and look into the hose retainer for any obstructions. Proceed to Step 2 to check for any other blockages.



2. Remove the hood by loosening the two fasteners located on the top of the hood and lifting upward. These fasteners need only a quarter turn to lock or unlock the hood. (See padlock graphics on the hood.)



3. Step on the handle release and lower the handle all the way to the floor.



4. Check for blockages in the brush roll area and remove any obstructions found there. The base hose can be cleared of any blockage by using a blunt instrument.

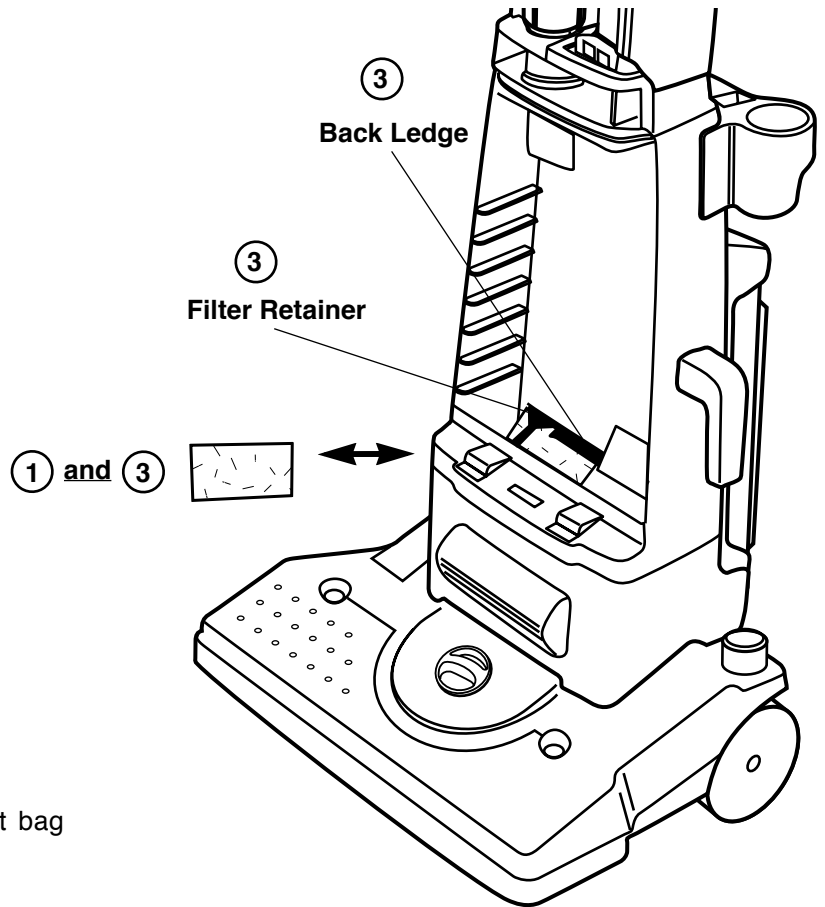
5. After the blockage is removed, replace the hood and tighten the two hood screws (see Figure 2). Raise the handle to the upright position (see Figure 3) and replace the hose into the lower hose retainer.

Motor Filter

Check the motor filter with each disposable dust bag change. Clean or replace as needed.

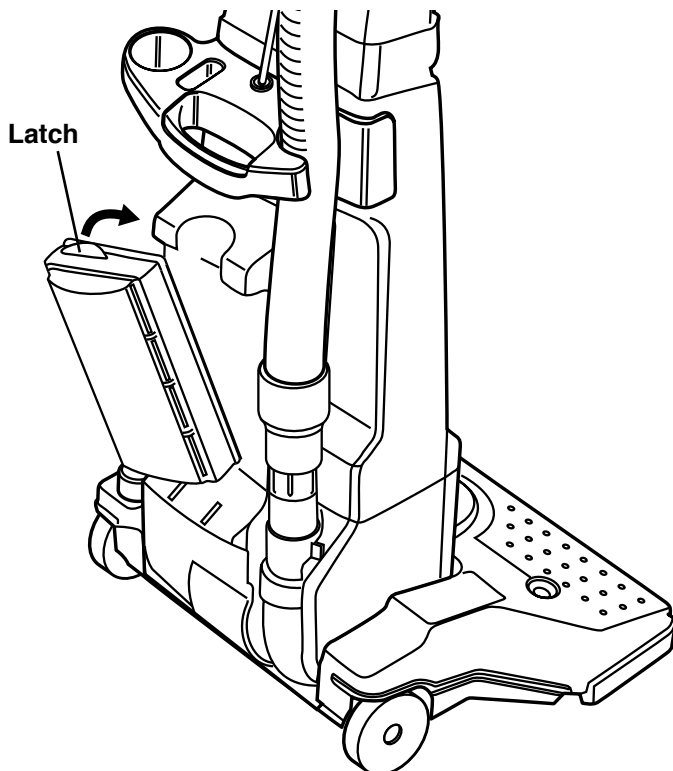
To Clean Motor Filter

1. Remove filter from inside bag compartment, lower left side.
2. Shake filter or vacuum with another cleaner to remove excess dust.
3. Reinstall filter. Slide under back ledge and filter retainer. Install with colored/smooth side down.



HEPA Filter

Check the HEPA filter with each disposable dust bag change. Replace twice a year or as needed.



To remove HEPA Filter

1. Push down latch and pull HEPA filter back.
2. Then lift filter up and remove.

To replace HEPA Filter

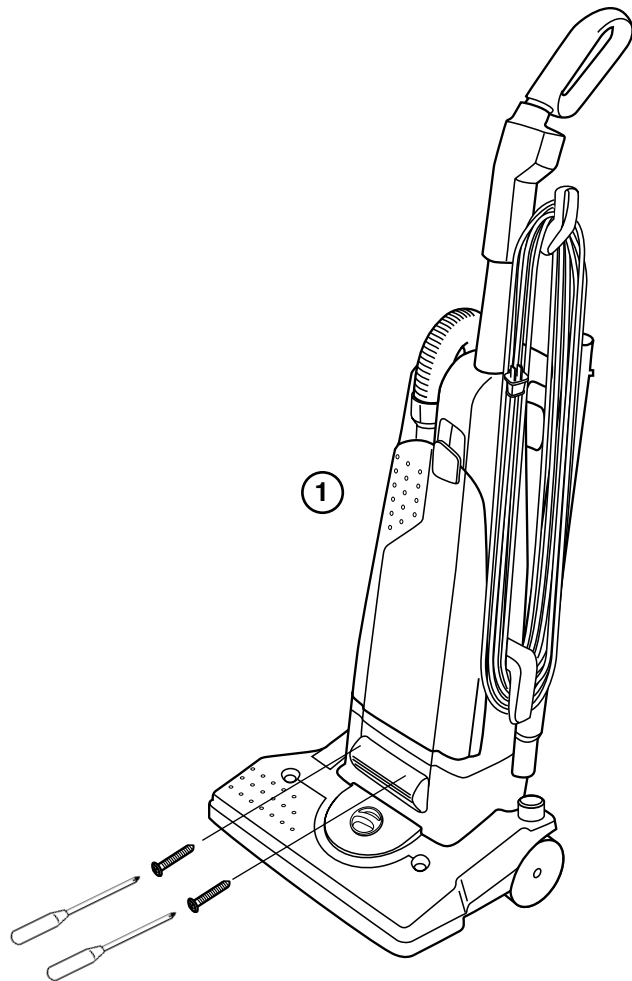
1. Place bottom tabs of filter into slots.
2. Rotate filter toward cleaner.
3. Push upward on the latch to secure into place.

Obtain replacement filters from a local dealer or order them from The Eureka Company, Bloomington, IL.

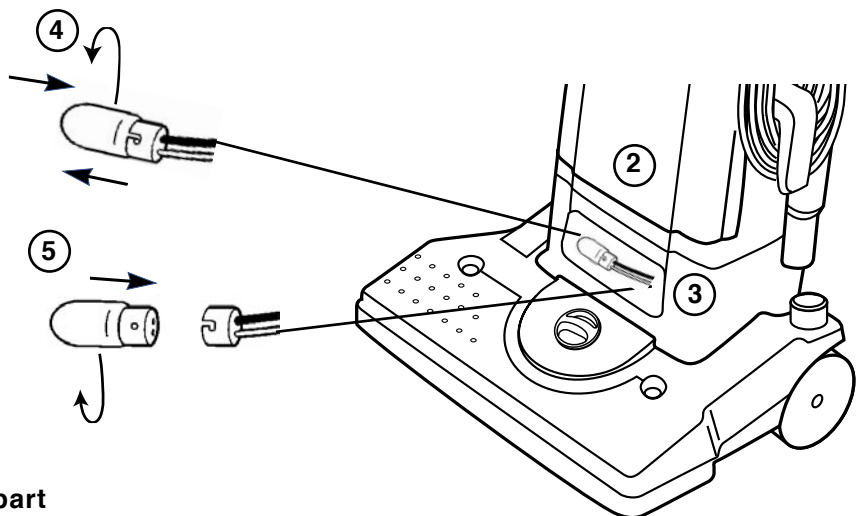
How To Change Light Bulb (only for models with a headlight)

NOTE: Turn off the power switch and disconnect the electrical cord before changing light bulb.

1. Lower handle to remove two screws from lens cover.
2. Pull lens cover from cleaner.



3. Support socket with one hand and push light bulb into socket; turn to release.
4. Place new light bulb into socket; turn to secure.
5. Push light bulb and socket back so bulb will not touch lens cover.
6. Replace lens cover.
7. Secure with two screws.



Use 15 watt replacement light bulb, part number 48815.

PROBLEM SOLVING

NOTE: Turn off the switch and unplug the electrical cord before servicing.

PROBLEM	CAUSE	SOLUTION
Motor will not start.	<input checked="" type="checkbox"/> Electric Plug	<input type="checkbox"/> Push plug securely into outlet. <input type="checkbox"/> Try another outlet. <input type="checkbox"/> Check circuit breaker.
Motor suddenly stops.	<input checked="" type="checkbox"/> Thermal Cut Off	<input type="checkbox"/> Refer to page 7.
Does not clean the carpet or floor.	<input checked="" type="checkbox"/> Disposable Dust Bag and Filter(s) <input checked="" type="checkbox"/> Dust Bag <input checked="" type="checkbox"/> Belt <input checked="" type="checkbox"/> Belt Cover <input checked="" type="checkbox"/> Brush Roll <input checked="" type="checkbox"/> Hose	<input type="checkbox"/> Change the bag and clean or replace the filter(s). Hint: If picking up fine dust, the bag may <u>not</u> look full but a fine substance tends to reduce suction when it blocks the airflow through the paper bag and filter(s). <input type="checkbox"/> Be sure hose adapter inserts into paper bag. <input type="checkbox"/> Replace a cut, loose or out of shape belt. <input type="checkbox"/> Snap the belt cover inside the hood if it comes loose. <input type="checkbox"/> Clean hair and thread from bristles and end cap area. Replace brush roll if bristles are worn. <input type="checkbox"/> Remove any clogs from the hose that restrict the airflow. Check short hose in the base and long hose. Refer to page 12 & 13.
No suction at the end of the hose.	<input checked="" type="checkbox"/> Hose Adapter <input checked="" type="checkbox"/> Disposable Dust Bag and Filter(s) <input checked="" type="checkbox"/> Hose	<input type="checkbox"/> Hose adapter has to seat inside the dust bag. <input type="checkbox"/> Change the bag and clean or replace the filter(s). Hint: If picking up fine dust, the bag may <u>not</u> look full, but a fine substance tends to reduce suction when it blocks the airflow through the paper bag and filter(s). <input type="checkbox"/> Remove any clogs from the hose that restrict the airflow. Check short hose in the base and long hose. Refer to page 12 & 13.
Headlight not working.	<input checked="" type="checkbox"/> Light Bulb	<input type="checkbox"/> Replace light bulb.
Noise from the brush roll area.	<input checked="" type="checkbox"/> Brush Roll <input checked="" type="checkbox"/> Belt	<input type="checkbox"/> Remove hood and clean debris or items from the brush roll area. <input type="checkbox"/> Replace a cut, loose or out of shape belt.
Cleaner is hard to push.	<input checked="" type="checkbox"/> Cleaner Height Setting <input checked="" type="checkbox"/> Belt	<input type="checkbox"/> Put handle in operating position. Tilt the cleaner back to raise the front wheels off floor. Then turn the knob to a higher setting. <input type="checkbox"/> Replace a cut, loose or out of shape belt.
Cleaner height knob will not turn.	<input checked="" type="checkbox"/> Cleaner Height Setting	<input type="checkbox"/> Hint: Put handle in operating position. Tilt the cleaner back to raise the front wheels off floor. Then turn the knob.

THE EUREKA® HD 2 YEAR LIMITED WARRANTY

WHAT THIS WARRANTY COVERS

Your Eureka HD cleaner is warranted to be free from all defects in material and workmanship in normal use FOR A PERIOD OF TWO YEARS. The warranty is granted only to the original purchaser of the cleaner. The warranty is subject to the following provisions.

WHAT THIS WARRANTY DOES NOT COVER

- Parts of the cleaner that require replacement under normal use, such as bumpers, bags, bristle strips, belts, light bulbs, hoses, and impellers.
- Damages or malfunctions caused by negligence, abuse, or use not in accordance with the Owner's Guide.
- Defects or damages caused by unauthorized service or the use of other than Genuine Eureka parts.

WHAT THE EUREKA COMPANY WILL DO

The Eureka Company will, at its option, repair or replace a defective cleaner or cleaner part that is covered by this warranty. As a matter of warranty policy, the Eureka Company will not refund the consumer's purchase price.

WARRANTY REGISTRATION

Please fill out and return the warranty registration card accompanying your cleaner.

OBTAINING WARRANTY SERVICE

To obtain warranty service you must return the defective cleaner or cleaner part along with proof of purchase to any Eureka Authorized Warranty Station. You will find the nearest location in the Yellow Pages under "Vacuum Cleaners—Service and Repair". Be certain that the Warranty Station is "Eureka Authorized".

For the location of the nearest Eureka Authorized Warranty Station or for service information, telephone toll free:

USA: 1-800-282-2886
Mexico: 5670-6169
Canada: 1-800-282-2886

If you prefer, you can write to:

USA:
Electrolux Home Care Products
North America
Service Division
807 North Main Street
Bloomington, IL 61701

CANADA:
Electrolux Home Care Products
Canada
866 Langs Drive
Cambridge, Ontario N3H 2N7

If it is necessary to ship the cleaner outside your community to obtain warranty repair, you must pay the shipping charges to the Eureka Authorized Warranty Station. Return shipping charges will be paid by the Warranty Station. When returning parts for repair, please include the model, type, and serial numbers from the data plate on the cleaner.

FURTHER LIMITATIONS AND EXCLUSIONS

Any warranty that may be implied in connection with your purchase or use of the cleaner, including any warranty of MERCHANTABILITY or any warranty for FITNESS FOR A PARTICULAR PURPOSE is limited to the duration of this warranty. Some states do not allow limitations on how long an implied warranty lasts, so the above limitations may not apply to you.

Your relief for the breach of this warranty is limited to the relief expressly provided above. IN NO EVENT SHALL EUREKA BE LIABLE FOR ANY CONSEQUENTIAL OR INCIDENTAL DAMAGES THAT YOU MAY INCUR IN CONNECTION WITH YOUR PURCHASE OR USE OF THE CLEANER. Some states do not allow the exclusion or limitation of incidental or consequential damages, so the above limitation or exclusion may not apply to you.

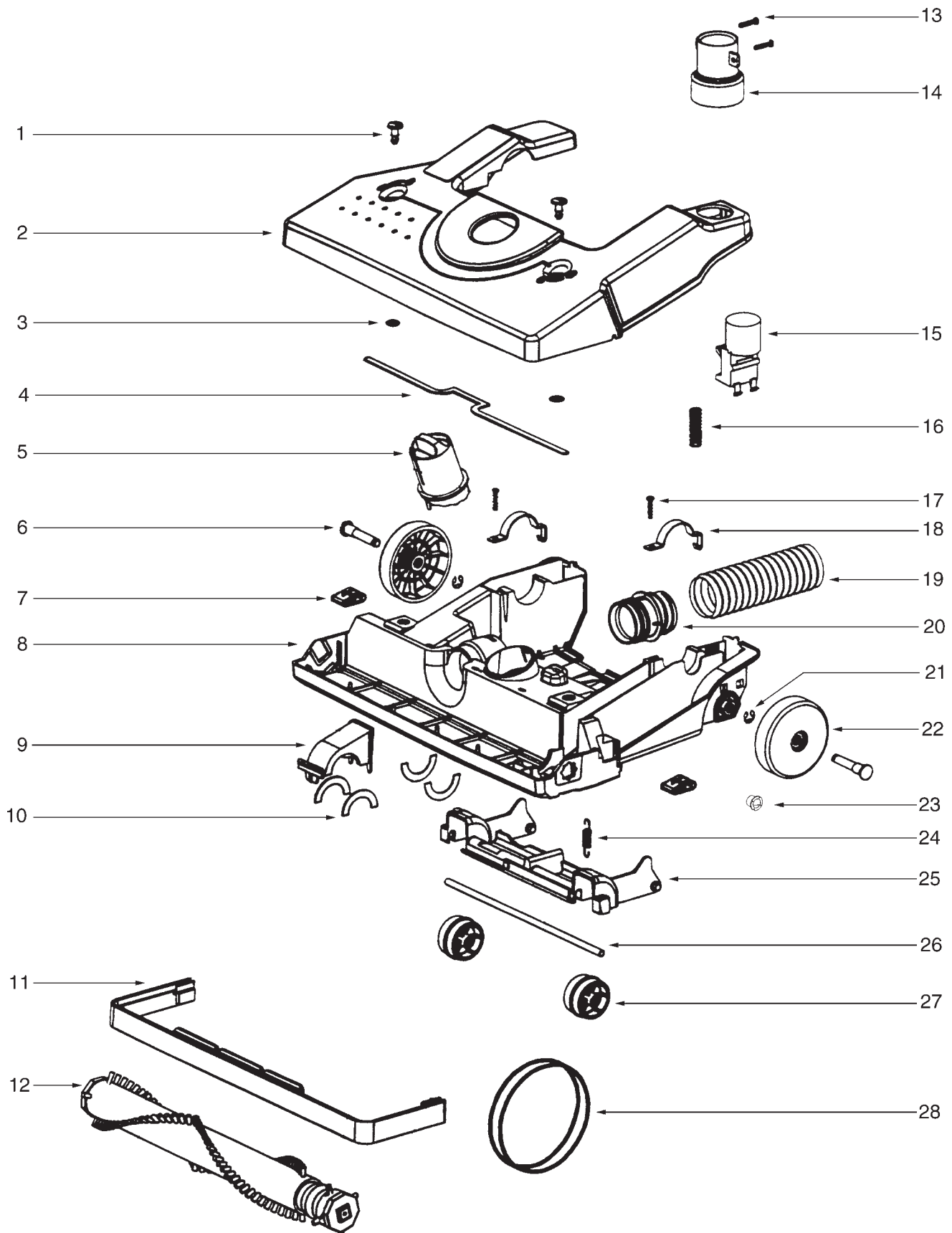
This warranty gives you specific legal rights. You may also have other rights which vary by State.

ELECTROLUX HOME CARE PRODUCTS NORTH AMERICA
Bloomington, Illinois 61701

REPAIR PARTS LIST

HD4570A

Eureka Heavy Duty

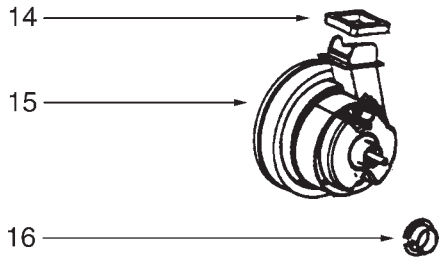
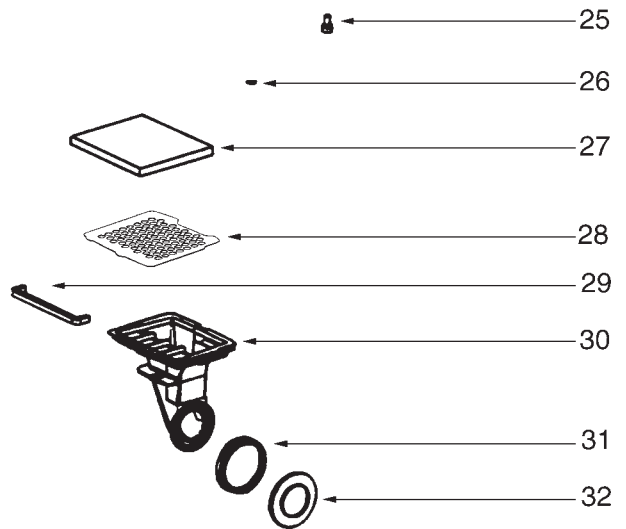
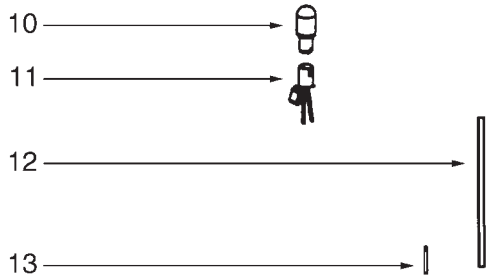
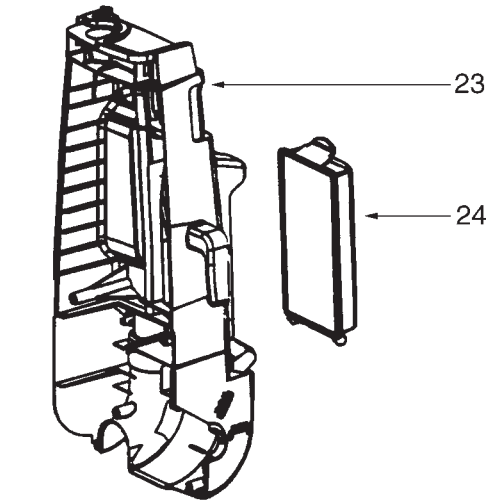
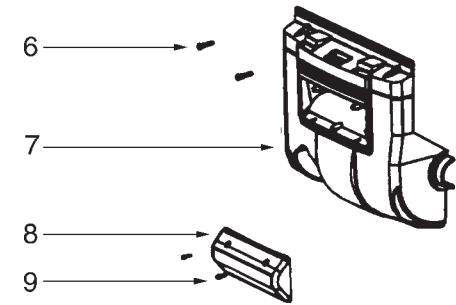
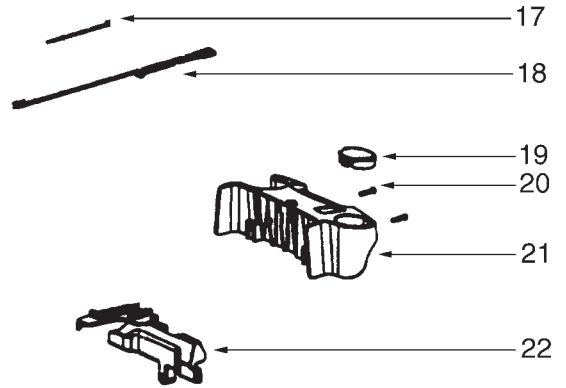
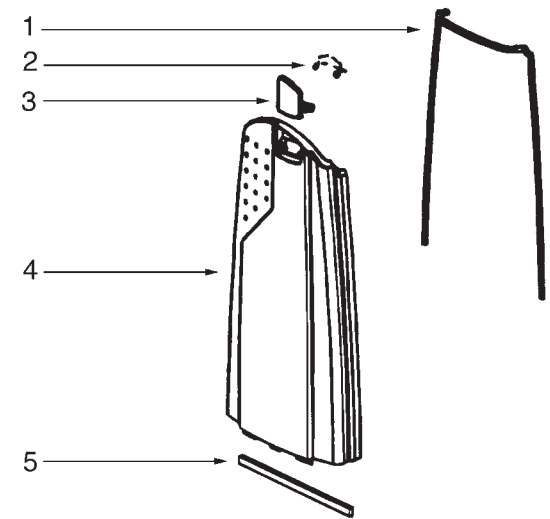


HD4570A

1.	60940	FASTENER - pkg of 10
2.	60249-8	HOOD ASSEMBLY
3.	60941	RETAINER - pkg of 10
4.	58506-3	GASKET
5.	27462E-288N	HEIGHT ADJUSTMENT KNOB
6.	38590A	REAR AXLE
7.	60939	RECEPTACLE - pkg of 10
8.	60938-7	BASE ASSEMBLY*
9.	54376-2	BELT CAP ASSEMBLY**
10.	57569	GASKET - BELT CAP
11.	15591A-288N	FURNITURE GUARD
12.	62352-1	BRUSH ROLL ASSEMBLY
13.	53197-1	SCREW - pkg of 10
14.	27468D-288N	HOSE CUFF
15.	27467A-288N	HANDLE RELEASE
16.	60133	COMPRESSION SPRING - pkg of 5
17.	53197-1	SCREW - pkg of 10
18.	38420-2	CLAMP
19.	38479-4	COMPRESSION HOSE
20.	28243A-316N	BASE ADAPTER
21.	54432-2	RETAINING RING - pkg of 10
22.	72117-288N	REAR WHEEL
23.	72113-1	AXLE BUSHING
24.	54943	SPRING - pkg of 10
25.	14993C-119N	WHEEL CARRIAGE
26.	71551	FRONT AXLE
27.	39173A-119N	FRONT WHEEL
28.	61120A	BELT - pkg of 2

* INCLUDES ITEMS 5, 6, 11, 20, 21, 22, 23, 24, 25, 26 & 27

** INCLUDES ITEM 10



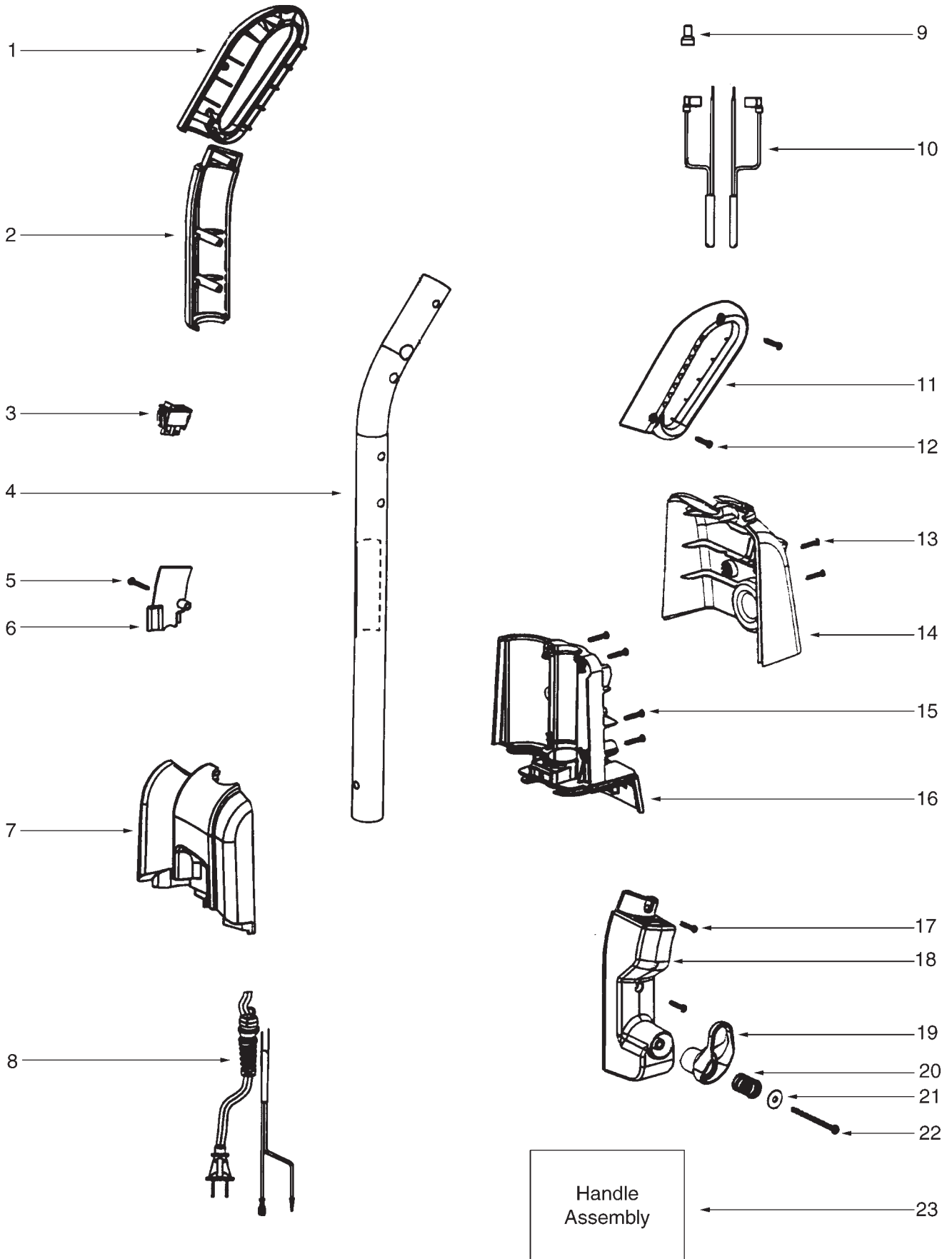
HD4570A

1.	58505SV	BAG COVER GASKET
2.	39268	LATCH SPRING
3.	28256-288N	BAG COVER LATCH
4.	60937-7	BAG COVER ASSEMBLY*
5.	38613	BAG GASKET - BOTTOM
6.	53197-1	SCREW - pkg of 10
7.	60942-7	MOTOR COVER ASSEMBLY**
8.	15407-313N	LENS
9.	60068-2	SCREW - pkg of 10
10.	48815	HEADLIGHT
11.	38611-1	LIGHT SOCKET
12.	59362B	TUBE - 7"
13.	59361A	ADAPTER TUBE
14.	59137	MOTOR EXHAUST GASKET
15.	60943-4	HEPA MOTOR ASSEMBLY***
16.	70840	GROMMET
17.	46713-5	CABLE TIE
18.	39252-3	THERMOSTAT ASSEMBLY
19.	70133-119N	TOOL CADDY BUSHING
20.	53197-1	SCREW - pkg of 10
21.	15443B-119N	TOOL CADDY
22.	28290-333N	FLANGE RETAINER
23.	60944-2	REAR HOUSING
24.	60285B	HEPA FILTER
25.	60192-1	SPLICE - pkg of 5
26.	60613	NUT - pkg of 10
27.	61333	MOTOR FILTER - pkg of 2
28.	28425	AIR DUCT GRILLE
29.	59297SV	AIR DUCT GASKET
30.	15408B-119N	AIR DUCT
31.	27171A	MOTOR INTAKE GASKET
32.	39023	MOTOR INTAKE FLANGE

* INCLUDES ITEMS 1, 2, 3 & 5

** INCLUDES ITEMS 8 & 9

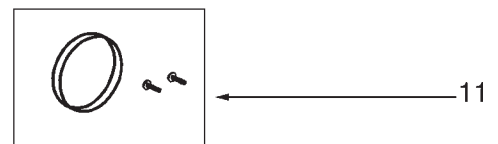
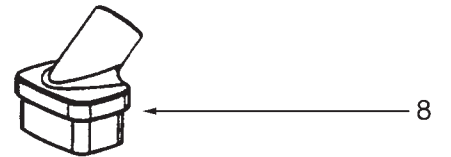
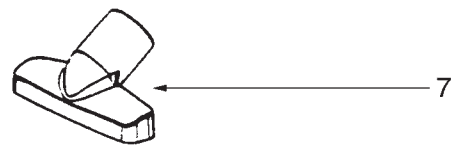
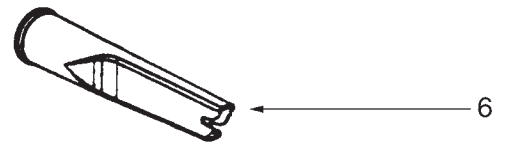
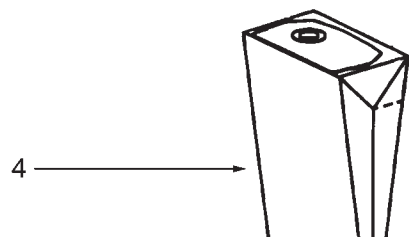
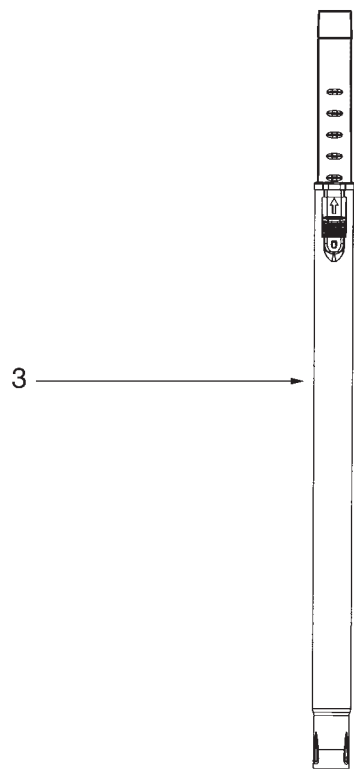
*** INCLUDES ITEMS 14 & 16



HD4570A

1.	15597-288N	GRIP (RH)
2.	02349A-288N	SWITCH HOUSING (RH)
3.	39455-1	ROCKER SWITCH
4.	15580	HANDLE
5.	53238-39	SCREW - pkg of 10
6.	59741-316N	WIRING SHIELD
7.	15533-366N	FRONT HANDLE HOUSING
8.	39585-11	SUPPLY CORD ASSEMBLY
9.	60192-1	WIRE SPLICE - pkg of 5
10.	28011-2	UPPER CORD ASSEMBLY
11.	15596-288N	GRIP (LH)
12.	53197-1	SCREW - pkg of 10
13.	53197-1	SCREW - pkg of 10
14.	15581-119N	HANDLE COVER
15.	53197-1	SCREW - pkg of 10
16.	15534A-366N	REAR HANDLE HOUSING
17.	53197-1	SCREW - pkg of 10
18.	39513-288N	SWITCH HOUSING (LH)
19.	28316-288N	CORD RETAINER
20.	60945	SPRING - pkg of 10
21.	60946	WASHER - pkg of 10
22.	53238-18	SCREW - pkg of 10
23.	15605A-8	HANDLE ASSEMBLY COMPLETE*

* INCLUDES ITEMS 1 THRU 22



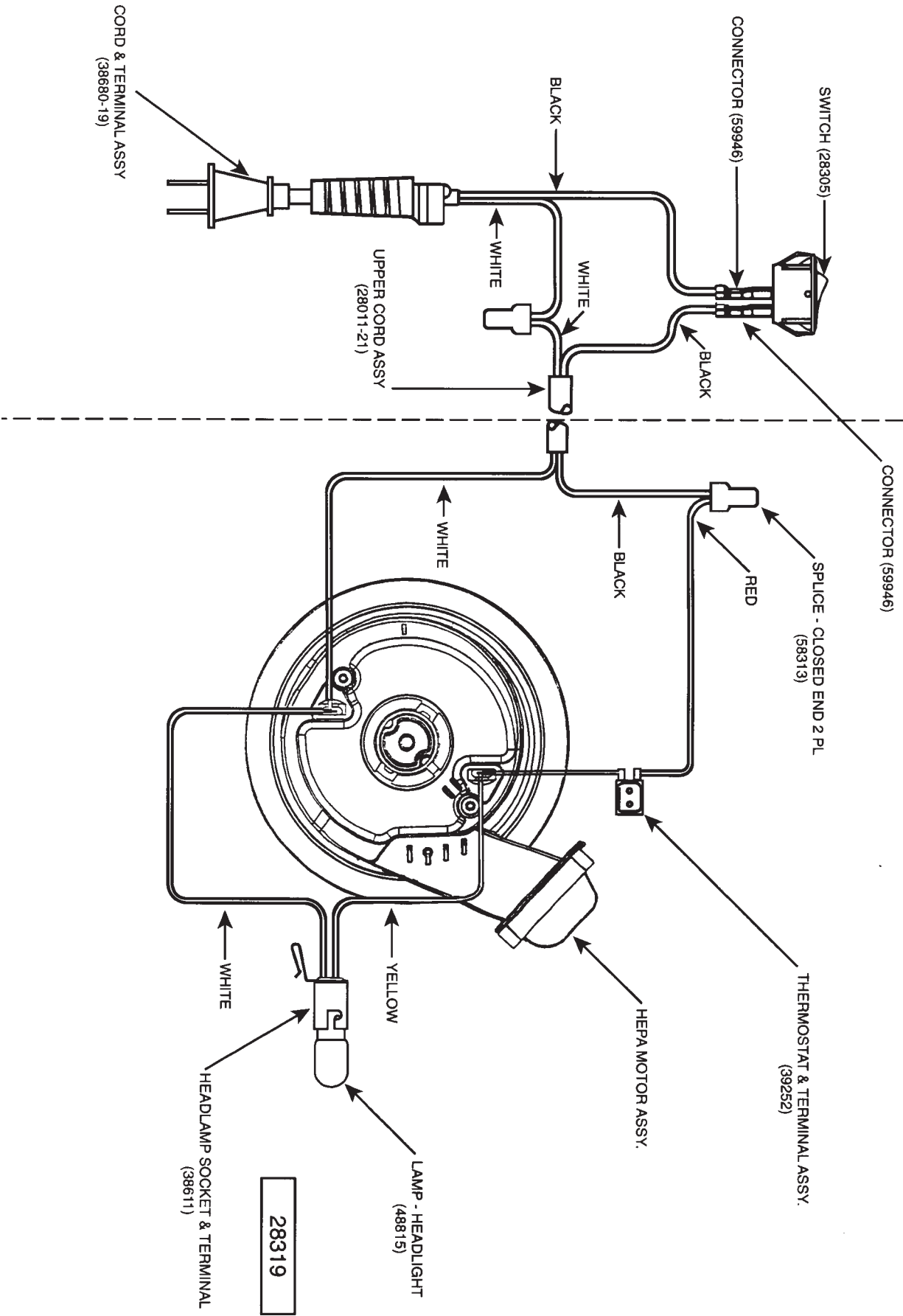
HD4570A

- | | | |
|-----|-------------|---|
| 1. | 60920-2 | HOSE ASSEMBLY* |
| 2. | 28375-119N | HOSE ADAPTER |
| 3. | 39514A | TELESCOPIC WAND ASSEMBLY |
| 4. | 58236A | DISPOSABLE BAG (style AA FILTERAIRE) - pkg of 3 |
| 5. | 37057B-3 | HOSE COUPLING |
| 6. | 27237-3 | CREVICE TOOL |
| 7. | 38284-3 | UPHOLSTERY NOZZLE ASSEMBLY |
| 8. | 60290-1 | DUSTING BRUSH |
| 9. | 39231-2 | HOSE STRAP |
| 10. | 39152A-333N | HOOK PLATE |
| 11. | 70124A | HARDWARE PACKAGE |
| 12. | 74339 | OWNER'S GUIDE |

* INCLUDES ITEMS 2 & 5

SWITCH BOX

MOTOR COMPARTMENT



Assembly Items in This Carton



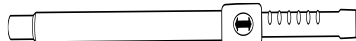
1 crevice tool



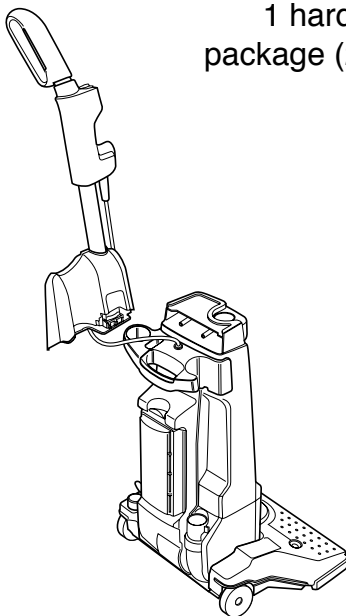
1 hardware
package (2 screws)



1 dusting brush



1 telescoping wand



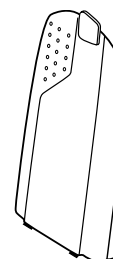
1 cleaner connected
to handle by cord



1 hose adapter w/hose



1 upholstery brush



1 front cover

Thank you for selecting a Eureka cleaner.

Don't Forget to Use Genuine Eureka Bags and Belts

Caution: Damages caused by the use of non-genuine Eureka bags are not covered by The Eureka Heavy Duty Limited Warranty.