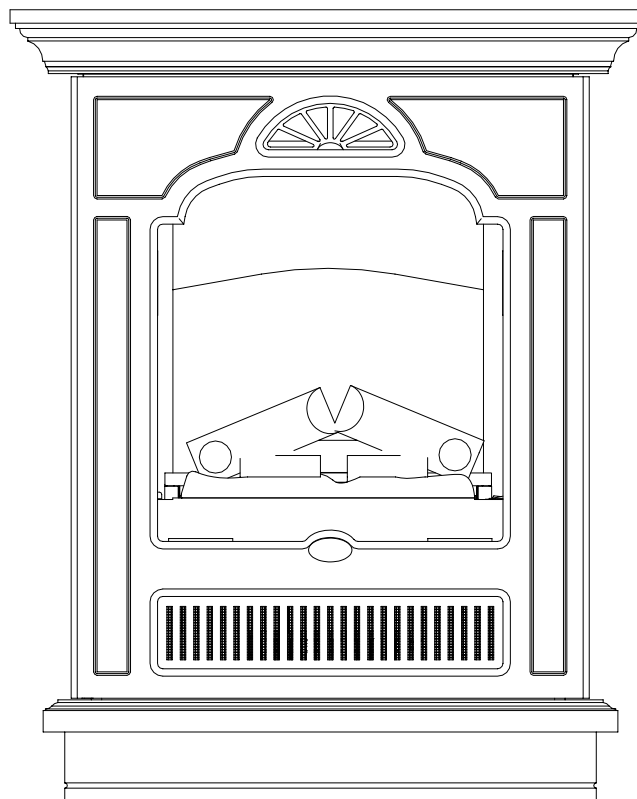


PARTS & SERVICE MANUAL
FOR THE CORNER WALL MOUNT
FIREPLACE

MODEL NUMBER:

EWMC-CC-SS



Dimplex®

TABLE OF CONTENTS

OPERATION	PAGE 1
PARTS LIST DRAWING	PAGE 3
PARTS LIST	PAGE 4
WIRING DIAGRAM	PAGE 5
LIGHT BULB REPLACEMENT	PAGE 6
MAIN ON/OFF SWITCH REPLACEMENT	PAGE 7
MANUAL SELECTION SWITCH REPLACEMENT	PAGE 8
THERMOSTAT CONTROL REPLACEMENT	PAGE 9
FLAME MOTOR/FLAME ROD REPLACEMENT	PAGE 10
HEATER ASSEMBLY REPLACEMENT	PAGE 12
CIRCUIT BOARD REPLACEMENT	PAGE 14
POWER CORD REPLACEMENT	PAGE 16
MIRROR REPLACEMENT	PAGE 18

OPERATION

MANUAL CONTROLS

The controls are located inside the door panel on the lower right hand side of the corner wall mounted electric fireplace. (FIGURE 1)

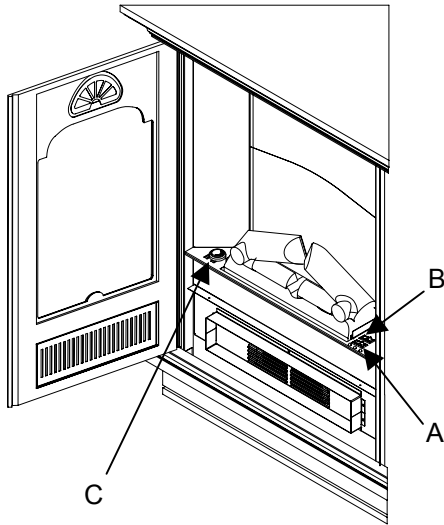


FIGURE 1

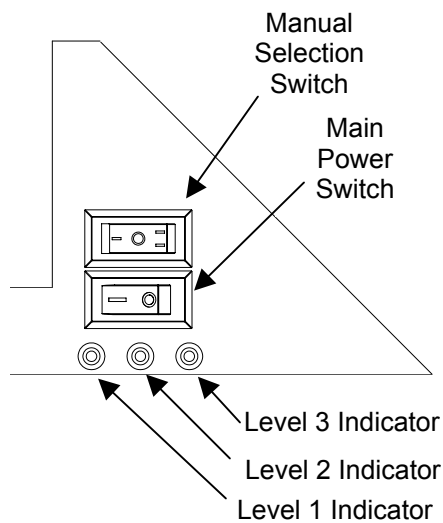


FIGURE 2

A. MAIN POWER SWITCH

The MAIN on/off switch supplies power to the circuit board. When the Main ON/OFF switch is switched to the ON position the Level 1 indicator light will flash.

B. MANUAL SELECTION SWITCH

Pressing the left side of the switch “ — ” activates the following functions:

1. Pressing once on the “MANUAL SELECTION SWITCH” activates the Level 1 function.
Level 1: The flame effect is turned on and the first red indicator light is activated.
2. Pressing twice on the “MANUAL SELECTION SWITCH” activates the Level 2 function.
Level 2: The flame effect remains on, the heater is activated to the low setting, and the first and second red indicator lights are activated.
3. Pressing three times on the “MAIN SELECTION SWITCH” activates the Level 3 function.
Level 3: The flame effect remains on, the heater is set to the high heat setting, and all three red indicator lights are activated.

Pressing the right side of the switch “ = ” once will turn the unit OFF.

NOTE: The blower speed does not change when switching from low heat to high heat.

C. HEATER THERMOSTAT CONTROL

To adjust the temperature to your individual requirements, turn the thermostat control clockwise all the way to turn on the heater. When the room reaches the desired temperature, turn the thermostat knob counter clockwise until you hear a click. Leave in this position to maintain the room temperature at this setting. For additional heat, turn clockwise until you hear the click again and the heater will turn on.

RESETTING THE TEMPERATURE CUTOUT SWITCH

Should the heater overheat, an automatic cut out will turn the heater off and it will not come back on without being reset. It can be reset by switching the MAIN ON/OFF SWITCH to OFF and waiting 5 minutes before switching the unit back on.

REMOTE CONTROL

The corner wall mounted electric fireplace is supplied with a radio frequency remote control. This remote control has a range of approximately 50 feet (15.25m), it does not have to be pointed at the fireplace and can pass through most obstacles (including walls). It is supplied with one of 243 independent frequencies to prevent interference with other units. The frequency designation is indicated on the back of the transmitter (FIGURE 3).

Remote Control Initialization

This procedure is required every time there is a loss of power to the remote control in the fireplace. (i.e. power failure, breaker tripped, main power switch is turned off)

1. Ensure that the unit is plugged in wall outlet and that power is supplied through the main service panel.
2. Locate manual controls refer to FIGURE 4.
3. Activate main power switch, (“ — ” position is “ON”, “○” position is “OFF”) red indicator light 1 will flash (FIGURE 5).
4. Press and hold the “MANUAL SELECTION SWITCH” marked “ — ” for five seconds. The second red indicator light will flash.
5. Press the ON button located on the remote control transmitter (FIGURE 3). This will synchronize the remote control transmitter and receiver.

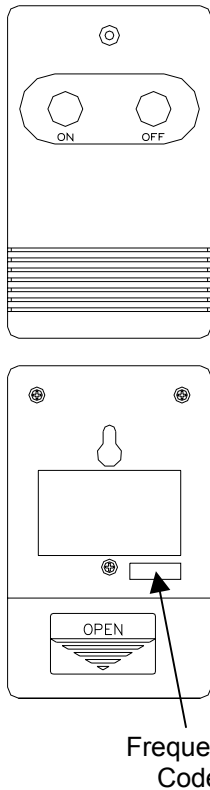


FIGURE 3

Remote Control Usage

The remote control operates the fireplace levels sequentially. The level is increased every time the ON button on the transmitter is pressed. The fireplace can be turned off at any point by pressing the OFF button on the remote control transmitter.

Level 1: The flame effect is turned on and the first red indicator light is activated.

Level 2: The flame effect remains on, the heater is activated to the low heat setting, and the first and second red indicator lights are activated.

Level 3: The flame effect remains on, the heater is set to the high heat setting, and all three red indicator lights are activated.

NOTE: The blower speed does not change when switching from low heat to high heat.

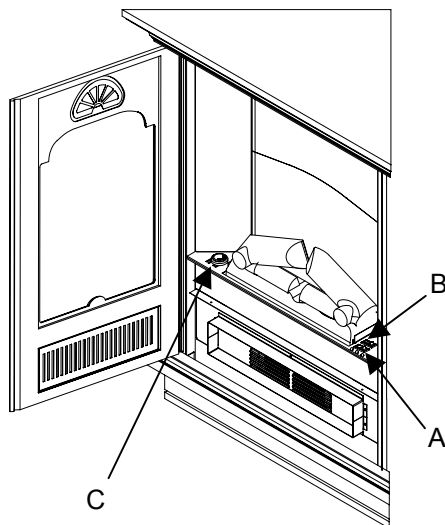


FIGURE 4

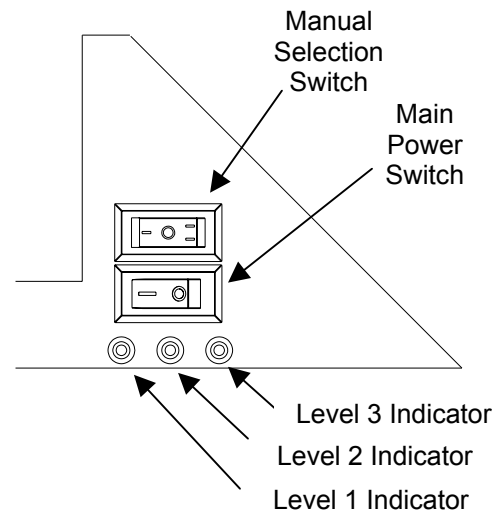
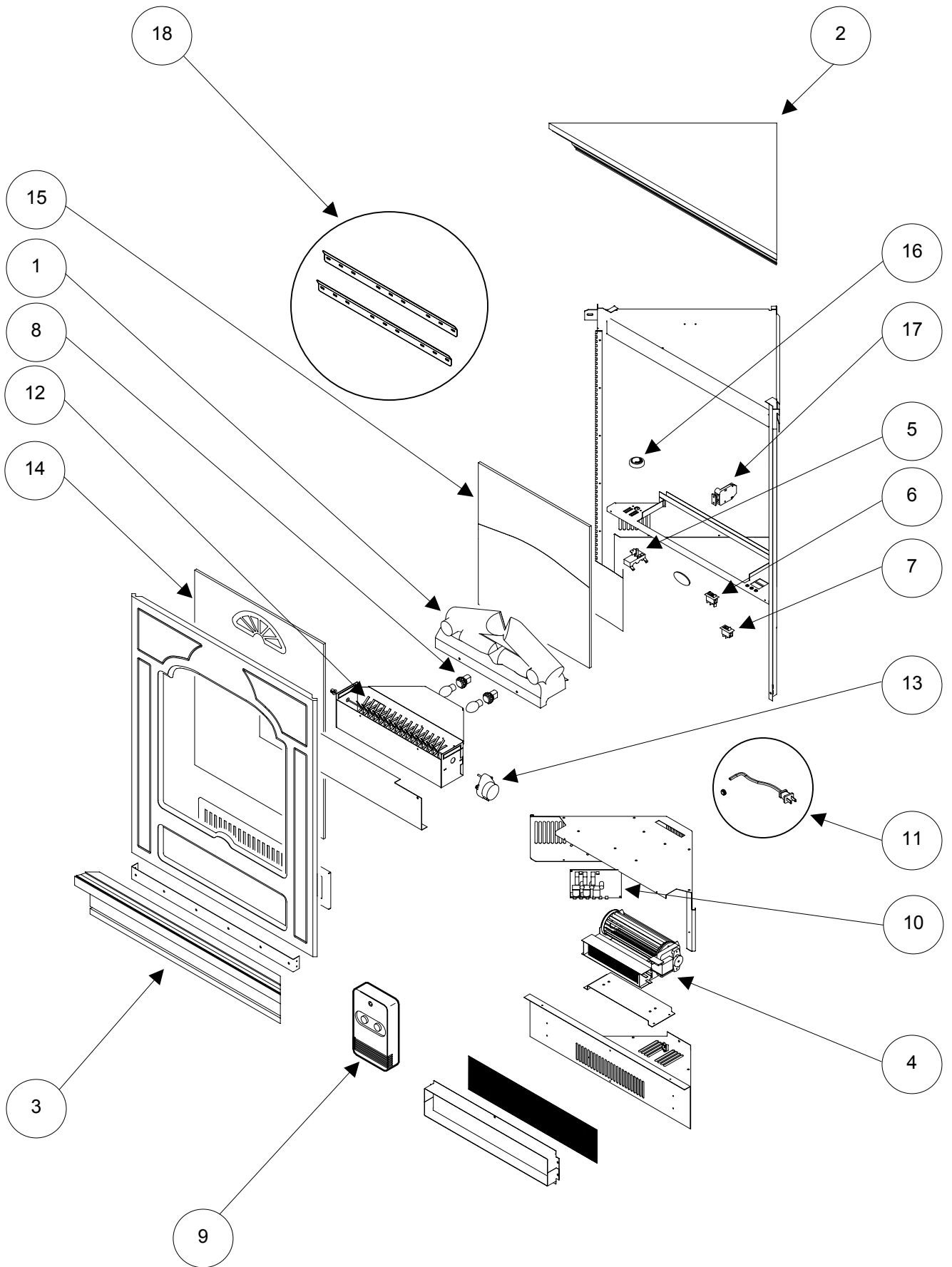


FIGURE 5

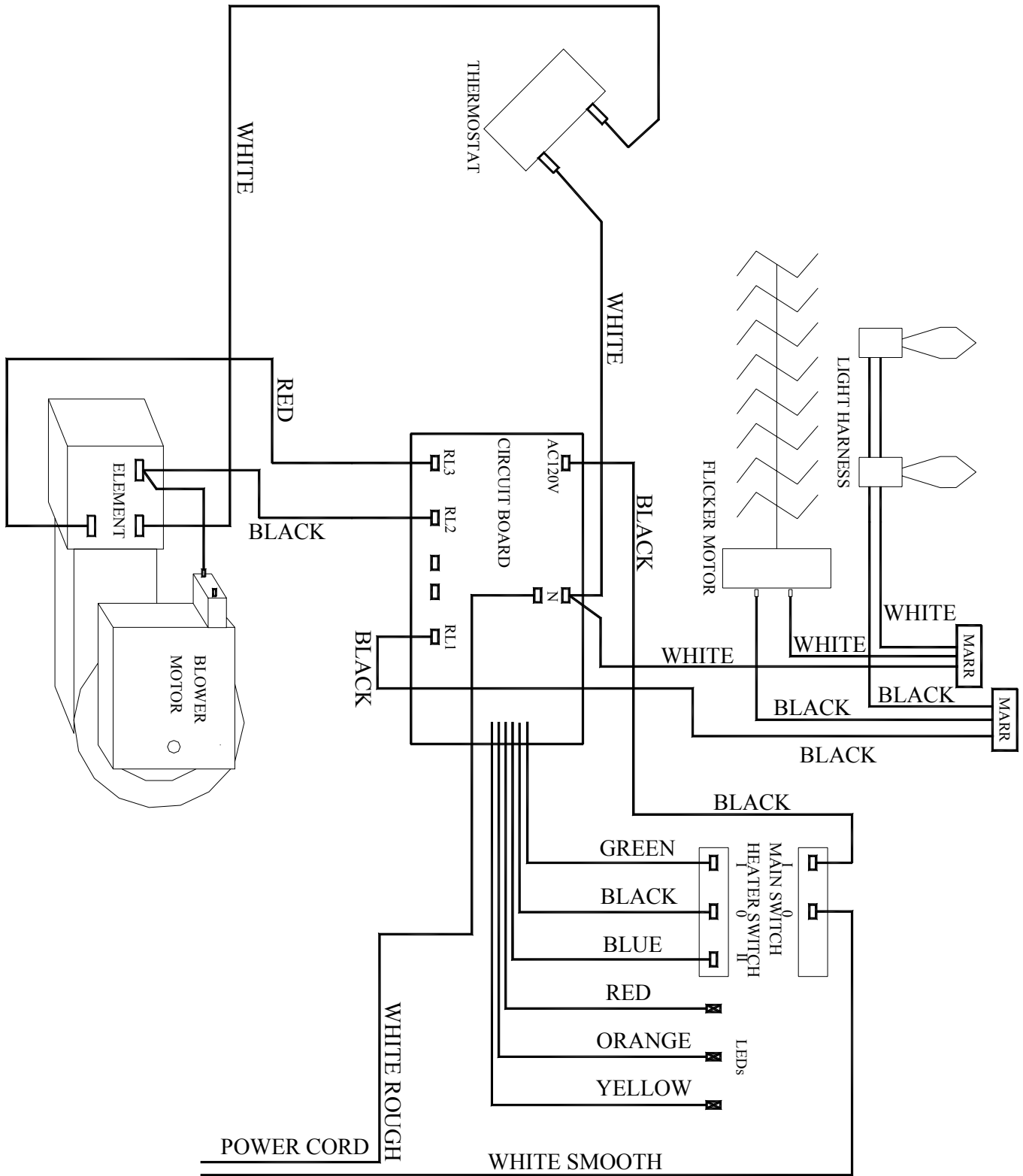


REPLACEMENT PARTS

CORNER WALL MOUNT FIREPLACE

MOD. LEVEL	NONE
REPLACEMENT PART	
1. LOGSET ASSEMBLY	0439040100RP
2. TOP ASSEMBLY	1106860183RP
3. BASE ASSEMBLY	1106890183RP
4. HEATER ASSEMBLY	2000230100RP
5. THERMOSTAT	2300150100RP*
6. MANUAL SELECTION SWITCH	2800070500RP
7. MAIN POWER SWITCH	2800070700RP
8. WIRE ASSY LAMPHOLDER	2500170100RP
9. REMOTE CONTROL	3000200100RP
10. CIRCUIT BOARD	3000200800RP
11. CORD SET	4100010100RP
12. REFLECTOR ASSEMBLY	5900080600RP
13. FLICKER MOTOR	2000140300RP
14. FRONT GLASS	5900460100RP
15. MIRROR	5900470100RP
16. THERMOSTAT KNOB	8800000300RP
17. LATCH DOOR ASSEMBLY	8800520100RP
18. WALL BRACKET HARDWARE KIT	1010950100RP

WIRING DIAGRAM



EWMC-CC-SS

If unit was operating prior to servicing allow at least 10 minutes for light bulbs and heating element to cool off to avoid accidental burning of skin.

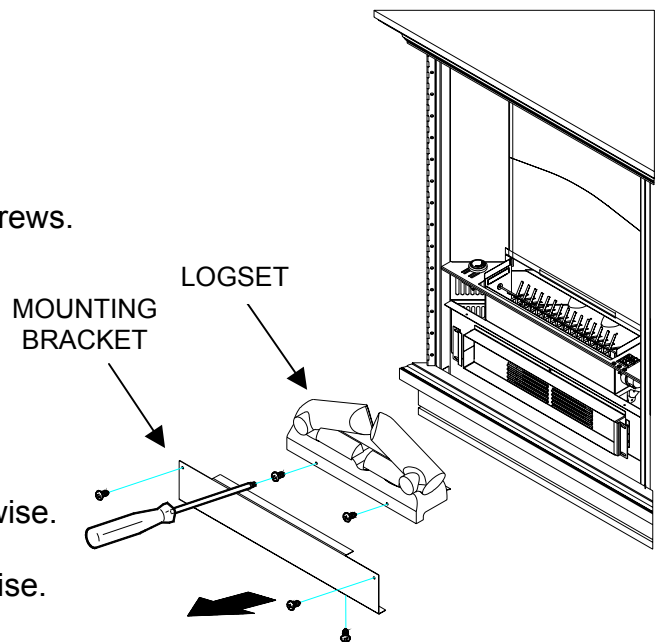
Disconnect power before attempting any maintenance or cleaning to reduce the risk of electric shock or damage to persons.

Light bulbs need to be replaced when you notice a dark section of the flame. There are two bulbs under the log set which generate the flames and embers.

It is a good idea to replace all of the light bulbs at one time if they are close to the end of their rated life. Group replacement will reduce the number of times you need to open the unit to replace the light bulbs.

TO REPLACE LIGHT BULBS

1. Unplug the unit from the outlet.
2. Open latched door.
3. Remove the 3 mounting bracket screws.
4. Set aside mounting bracket.
5. Remove 2 log set screws.
6. Set log set assembly aside.
7. Unscrew the bulb(s) counter clockwise.
8. Insert new bulb(s) screwing clockwise.
9. Assemble in the reverse order as above.



NOTE: When placing log set back into unit ensure the log set sits in between the 2 vertical mounting flanges.

Quantity 2 clear chandelier or candelabra bulbs with an E-12 (small) socket base, 60 watt rating. Example GE 60BC or Philips 60CTC

CAUTION DO NOT EXCEED 60 WATTS PER BULB

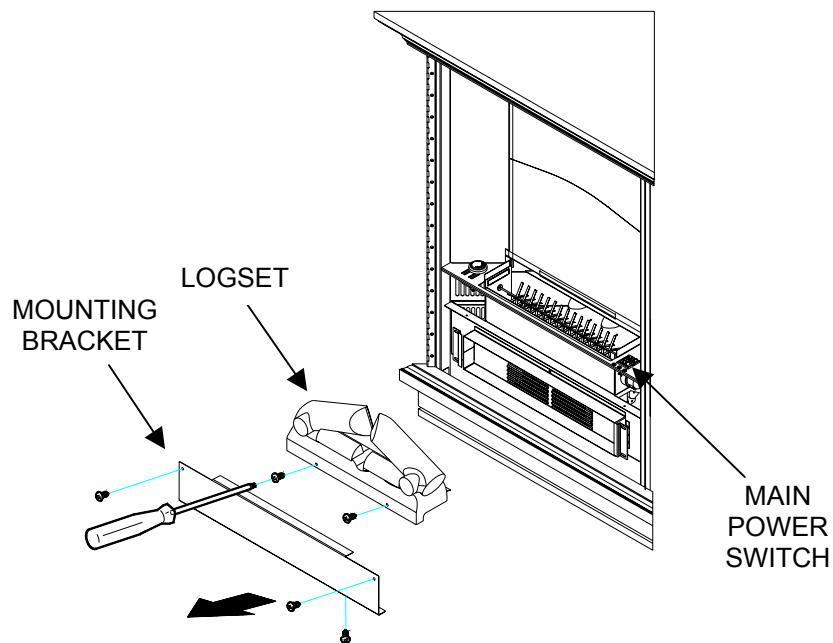
If unit was operating prior to servicing allow at least 10 minutes for light bulbs and heating element to cool off to avoid accidental burning of skin.

Disconnect power before attempting any maintenance or cleaning to reduce the risk of electric shock or damage to persons.

TO REPLACE THE MAIN POWER SWITCH

1. Open latched door.
2. Remove the 3 mounting bracket screws and set aside mounting bracket.
3. Remove the 2 log set screws and remove the log set.
4. Locate the Main on/off switch and disconnect the wiring connections noting their original locations.
5. Depress the retainer clips on the rear of the switch and push the switch out of the log support bracket.
6. Properly orientate the new switch and connect all of the wiring connections.
7. Reassemble in the reverse order as above.

NOTE: When placing log set back into unit ensure the log sits in between the 2 vertical mounting flanges.



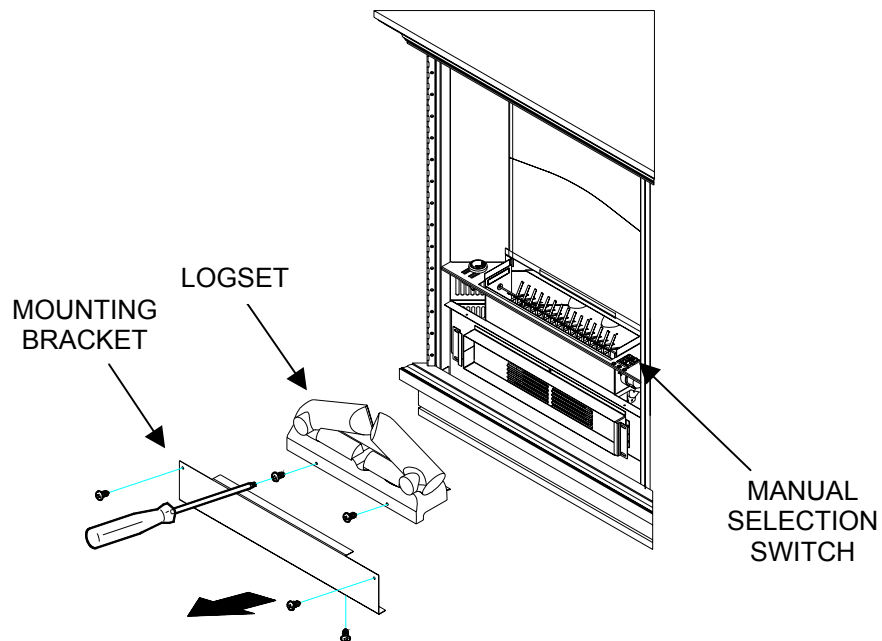
If unit was operating prior to servicing allow at least 10 minutes for light bulbs and heating element to cool off to avoid accidental burning of skin.

Disconnect power before attempting any maintenance or cleaning to reduce the risk of electric shock or damage to persons.

TO REPLACE THE MANUAL SELECTION SWITCH

1. Open latched door.
2. Remove the 3 mounting bracket screws and set aside mounting bracket.
3. Remove the 2 log set screws and remove the log set.
4. Locate the manual selection switch and depress the retainer clips on the rear of the switch and push the switch out of the log support bracket.
5. Disconnect the wiring connections noting their original locations.
6. Properly orientate the new switch and connect all of the wiring connections.
7. Reassemble in the reverse order as above.

NOTE: When placing log set back into unit ensure the log sits in between the 2 vertical mounting flanges.



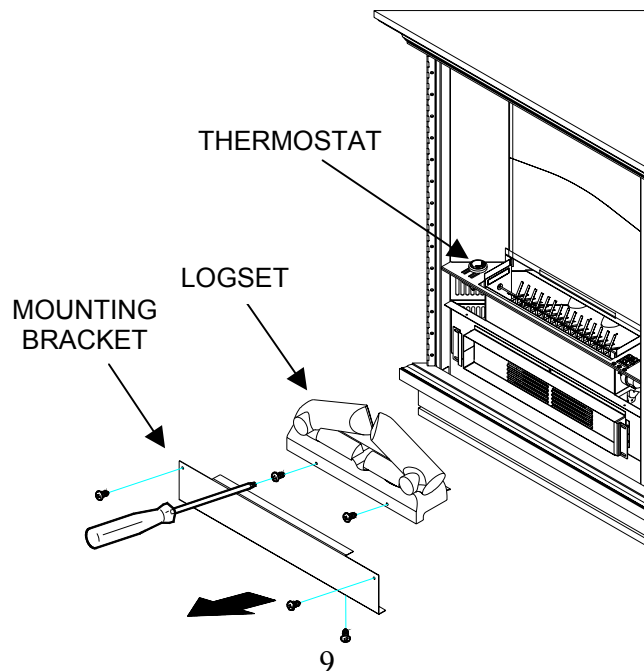
If unit was operating prior to servicing allow at least 10 minutes for light bulbs and heating element to cool off to avoid accidental burning of skin.

Disconnect power before attempting any maintenance or cleaning to reduce the risk of electric shock or damage to persons.

TO REPLACE THE THERMOSTAT CONTROL

1. Remove unit from corner and lay unit on its side.
2. Open latched door.
3. Remove the 3 mounting bracket screws and set aside mounting bracket.
4. Remove the 2 log set screws and remove the log set.
5. Locate the thermostat control switch and pull off the thermostat control knob to expose the mounting screws.
6. Remove the mounting screws.
7. Disconnect the wiring connections noting their original locations and remove the thermostat control switch.
8. Properly orientate the new thermostat control switch and connect all of the wiring connections.
9. Reassemble in the reverse order as above.

NOTE: When placing log set back into unit ensure the log sits in between the 2 vertical mounting flanges.



EWMC-CC-SS

If unit was operating prior to servicing allow at least 10 minutes for light bulbs and heating element to cool off to avoid accidental burning of skin.

Disconnect power before attempting any maintenance or cleaning to reduce the risk of electric shock or damage to persons.

TO REPLACE THE FLAME MOTOR/FLAME ROD

1. Open latched door.
2. Remove the 3 mounting bracket screws and set aside mounting bracket.
3. Remove the 2 log set screws and remove the log set.
4. Remove the wall mounted unit from corner and lay unit on its side.
5. Remove 4 screws from bottom heater pan and remove 2 screws from the front face of the heater pan.

NOTE: Front face of bottom heater pan is located inside unit behind the latched door.

6. Disconnect the 3 heater assembly wires going to the circuit board and the thermostat.
7. Set aside bottom heater pan assembly.
8. Remove the 4 screws along the inner edge of the top heater pan and separate the top heater pan assembly from the light box assembly.

NOTE: It may be necessary to remove the cord wire from the main on/off switch and the thermostat wire from the thermostat control in order to fully separate the heater pan top from the light box assembly.

9. Locate the flame motor and flame rod assembly and remove the wiring clips and connections noting their original locations.
10. Remove the 2 mounting bracket screws on the flame motor and pull the assembly partially out of the light box.

NOTE: When removing the flame motor some damage may occur to the flame rod. If flame rod is damaged replace to insure proper operation.

11. To remove the flame rod attach needle nose pliers to the spring on the motor shaft and pull while rotating in the opposite direction of the spring winding.
12. Properly orientate the new flame motor and connect all of the wiring clips and connections.

If unit was operating prior to servicing allow at least 10 minutes for light bulbs and heating element to cool off to avoid accidental burning of skin.

Disconnect power before attempting any maintenance or cleaning to reduce the risk of electric shock or damage to persons.

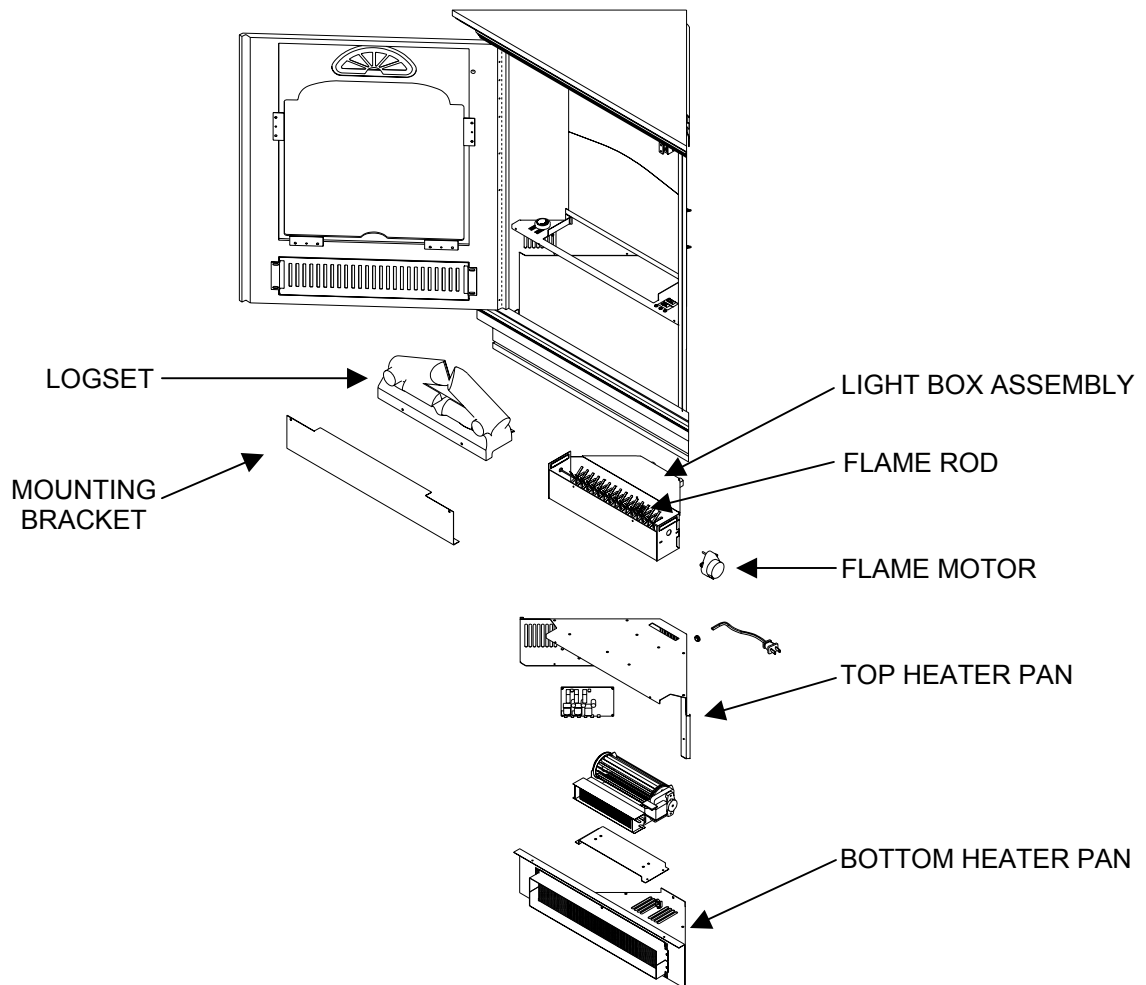
TO REPLACE THE FLAME MOTOR/FLAME ROD

WARNING: Ensure wires do not come in contact with moving parts by securing wires in wiring tie wraps.

NOTE: When securing the bottom heater pan assembly to the top heater pan ensure that the 3 heater assembly wires are clear of the blower wheel. Additional wiring tie wraps may be required.

13. Reassemble in the reverse order as above.

NOTE: When placing log set back into unit ensure the log sits in between the 2 vertical mounting flanges.



If unit was operating prior to servicing allow at least 10 minutes for light bulbs and heating element to cool off to avoid accidental burning of skin.

Disconnect power before attempting any maintenance or cleaning to reduce the risk of electric shock or damage to persons.

TO REPLACE THE HEATER ASSEMBLY

1. Remove the wall mounted unit from corner and lay unit on its side.
2. Open latched door.
3. Remove the 3 mounting bracket screws and set aside mounting bracket.
4. Remove 4 screws from bottom heater pan and remove 2 screws from the front face of the heater pan.

NOTE: Front face of heater pan is located inside unit behind the latched door.

5. Disconnect the 3 heater assembly wires going to the circuit board and the thermostat.
6. Remove 4 screws from bottom heater pan and remove heater assembly from bottom heater pan.
7. Remove 4 screws from heater plate.
8. Disconnect heater assembly wires noting their original locations.
9. Properly orientate the new heater assembly and connect all of the wiring connections.

WARNING: Ensure wires do not come in contact with moving parts by securing wires in wiring tie wraps.

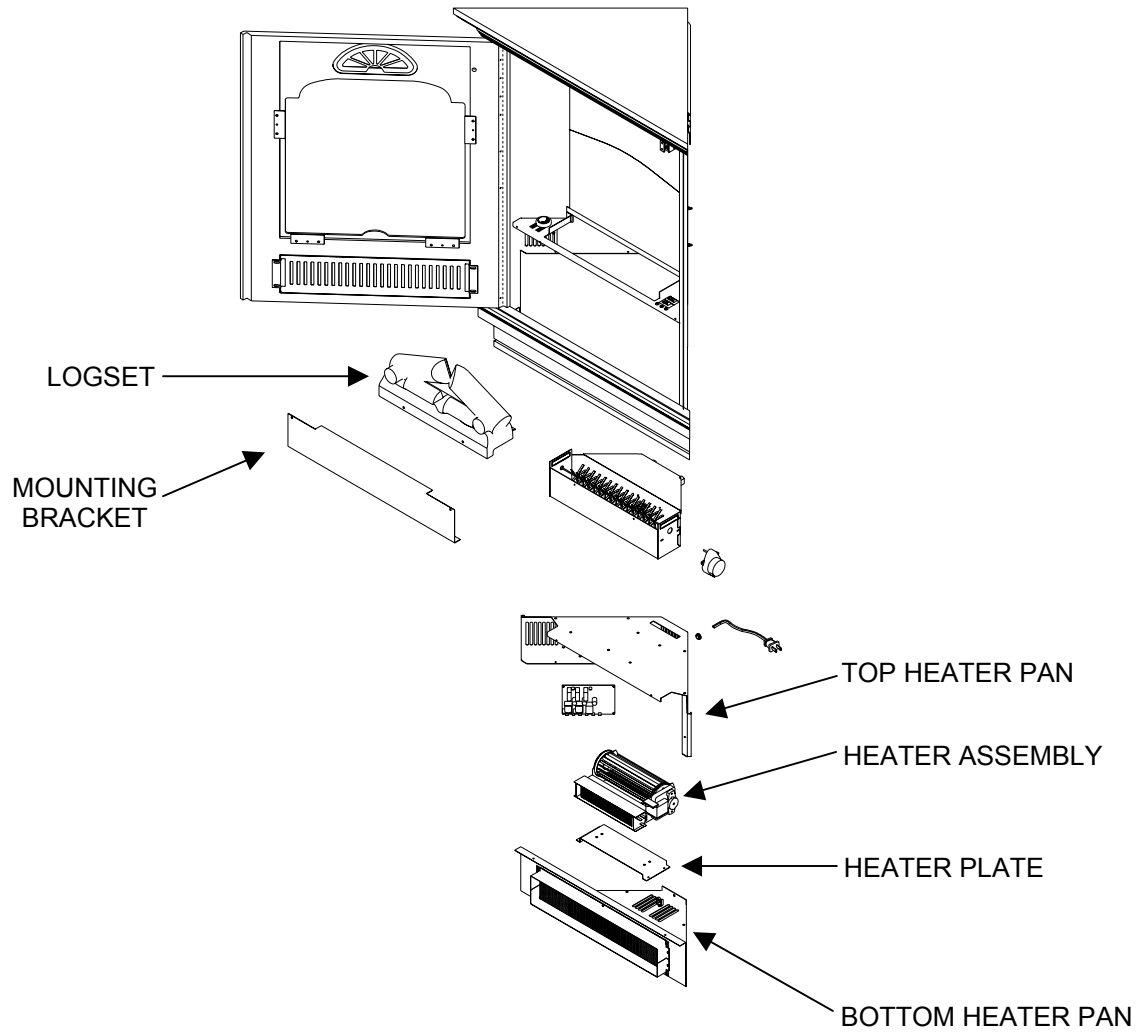
NOTE: When securing the bottom heater pan assembly to the top heater pan ensure that the 3 heater assembly wires are clear of the blower wheel. Additional wiring tie wraps may be required.

10. Reassemble in the reverse order as above.

EWMC-CC-SS

If unit was operating prior to servicing allow at least 10 minutes for light bulbs and heating element to cool off to avoid accidental burning of skin.

Disconnect power before attempting any maintenance or cleaning to reduce the risk of electric shock or damage to persons.



If unit was operating prior to servicing allow at least 10 minutes for light bulbs and heating element to cool off to avoid accidental burning of skin.

Disconnect power before attempting any maintenance or cleaning to reduce the risk of electric shock or damage to persons.

TO REPLACE THE CIRCUIT BOARD

1. Remove wall mounted unit from corner and lay unit on its side.
2. Open latched door.
3. Remove the 3 mounting bracket screws and set aside mounting bracket.
4. Remove 4 screws from bottom heater pan and remove 2 screws from the front face of the heater pan.

NOTE: Front face of heater pan is located inside unit behind the latched door.

5. Disconnect the 3 heater assembly wires going to the circuit board and the thermostat.
6. Remove the red indicator lights out through the bottom of the log support bracket noting their original locations.
7. Locate the manual selection switch and depress the retainer clips on the rear of the switch and push the switch out of the log support bracket.
8. Disconnect the wiring connections noting their original locations.
9. Locate the remote control circuit board mounted to the back of the top heater pan and remove the wiring connections noting their original locations.
10. Depress the ends of the four plastic mounting posts with pliers.
11. Remove the circuit board from unit.
12. Properly orientate the replacement circuit board and connect all of the wiring connections.

WARNING: Ensure wires do not come in contact with moving parts by securing wires in wiring tie wraps.

NOTE: When securing the bottom heater pan assembly to the top heater pan ensure that the 3 heater assembly wires are clear of the blower wheel. Additional wiring tie wraps may be required.

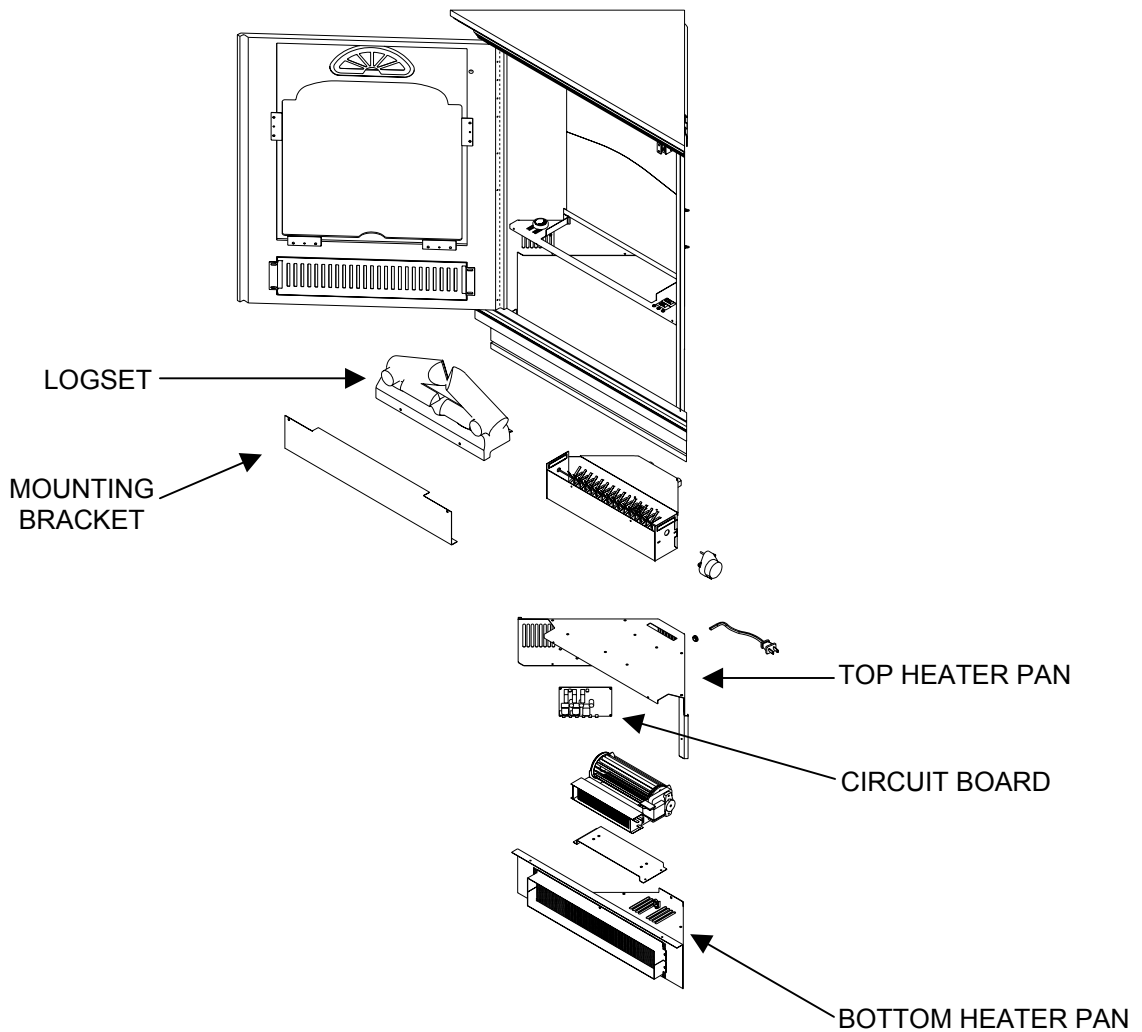
13. Reassemble in the reverse order as above.

If unit was operating prior to servicing allow at least 10 minutes for light bulbs and heating element to cool off to avoid accidental burning of skin.

Disconnect power before attempting any maintenance or cleaning to reduce the risk of electric shock or damage to persons.

TO REPLACE THE CIRCUIT BOARD

NOTE: When installing the replacement circuit board ensure the red heat indicator lights are installed into their original mounting locations.



If unit was operating prior to servicing allow at least 10 minutes for light bulbs and heating element to cool off to avoid accidental burning of skin.

Disconnect power before attempting any maintenance or cleaning to reduce the risk of electric shock or damage to persons.

TO REPLACE THE POWER CORD

1. Remove wall mounted unit from corner and lay unit on its side.
2. Open latched door.
3. Remove the 3 mounting bracket screws and set aside mounting bracket.
4. Remove 4 screws from bottom heater pan and remove 2 screws from the front face of the heater pan.

NOTE: Front face of heater pan is located inside unit behind the latched door.

5. Disconnect the 3 heater assembly wires going to the circuit board and the thermostat.
6. Locate and disconnect the power cord wiring connections noting their original locations.
7. With needle nose pliers grasp the power cord strain relief grommet from inside the rear of the heater pan top and push while twisting to remove.
8. Pull the power cord out through the hole in the rear of the top heater pan.
9. Install the new power cord through the hole in the rear of the top heater pan and connect all of the wiring connections in their original locations.
10. Install the power cord strain relief grommet on the replacement power cord and insert into the mounting hole in the rear of the top heater pan.

WARNING: Ensure wires do not come in contact with moving parts by securing wires in wiring tie wraps.

NOTE: When securing the bottom heater pan assembly to the top heater pan ensure that the 3 heater assembly wires are clear of the blower wheel. Additional wiring tie wraps may be required.

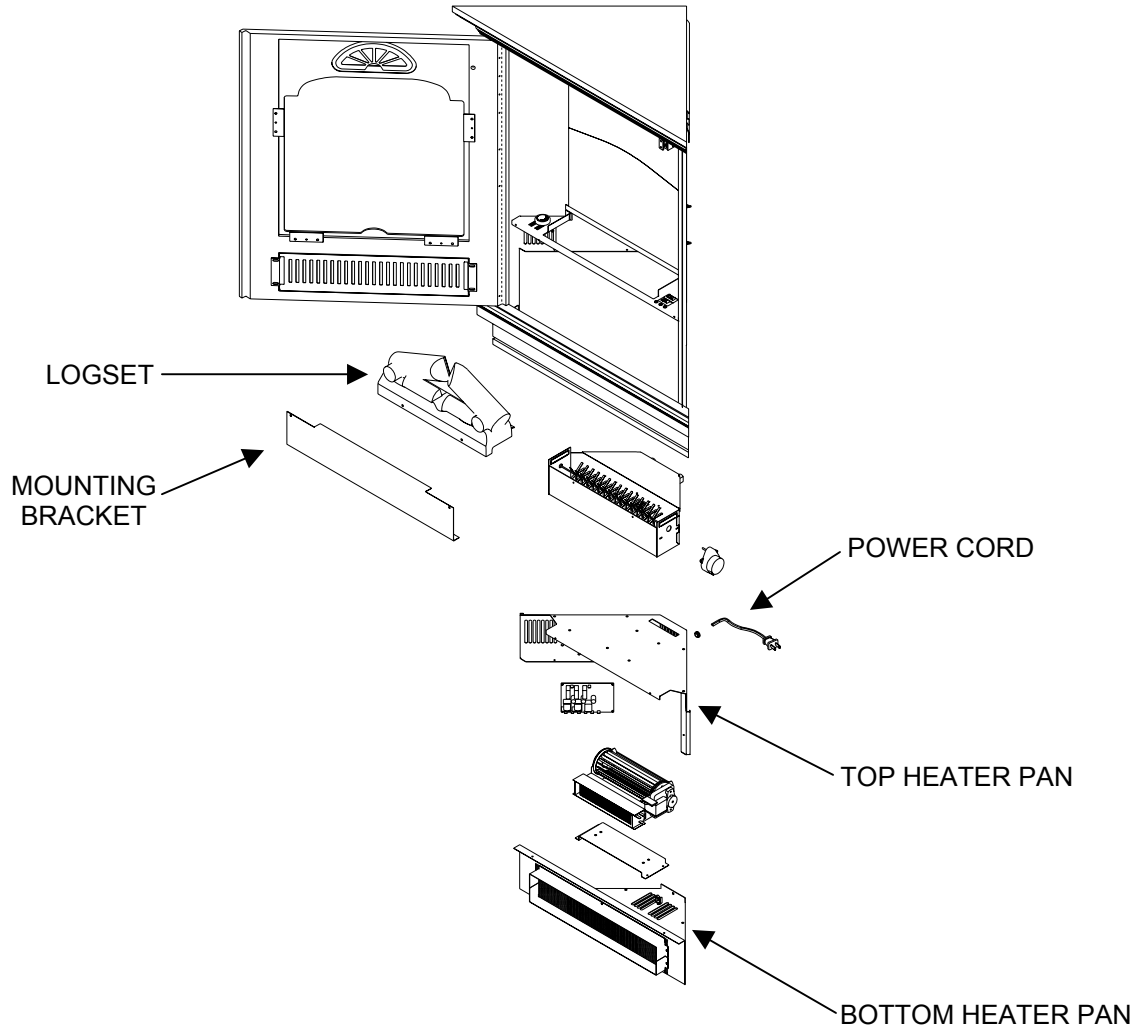
11. Reassemble in the reverse order as above.

EWMC-CC-SS

If unit was operating prior to servicing allow at least 10 minutes for light bulbs and heating element to cool off to avoid accidental burning of skin.

Disconnect power before attempting any maintenance or cleaning to reduce the risk of electric shock or damage to persons.

TO REPLACE THE POWER CORD



EWMC-CC-SS

If unit was operating prior to servicing allow at least 10 minutes for light bulbs and heating element to cool off to avoid accidental burning of skin.

Disconnect power before attempting any maintenance or cleaning to reduce the risk of electric shock or damage to persons.

TO REPLACE THE MIRROR

1. Remove wall mounted unit from corner and lay unit on its side.
2. Open latched door.
3. Remove door chain bolt and nut from back panel assembly.
4. Remove top mirror bracket from back panel and set aside.
5. Remove mirror from unit and remove black rubber channels from mirror.
6. Install black rubber channels to replacement mirror.
7. Reassemble in the reverse order as above.